

[www.newlifeparts.com](http://www.newlifeparts.com)



# NEW LIFE

TRANSPORT PARTS CENTER



**Bring "New Life" to your Transport Equipment**



**NEW LIFE**  
TRANSPORT PARTS CENTER

CORPORATE OFFICE: P.O. Box 9426 • Grand Rapids, Michigan 49509

Ph: 800-748-0369 / 616-878-3633 • Fx (616) 878-3533

Sales Ph: 800-748-0555 • Sales Fx: 800-530-9666

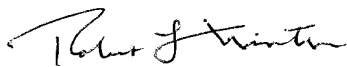
Thank you for your interest in New Life Transport Parts Center and the trust you place in us. This 8<sup>th</sup> edition of the New Life catalog incorporates over forty years of experience and is the most comprehensive and recognized reference catalog in the industry.

With our wide product offering, technical support group, unmatched inventory levels and best in business customer service, we believe New Life is ideally suited to help you grow your sales and successfully compete in the Heavy Duty Aftermarket.

Since inception, our company mission has been focused on making our customers successful, knowing that our success will follow.

I assure you of our company's commitment to *earn your business*.  
Thank you for allowing us to bring "New Life" to you and your customers.

Sincerely;



Bob Hinton  
Chief Executive Officer  
New Life Transport Parts Center

**Authorized distributors for:**



ATLANTA • CHICAGO • DALLAS • FARGO • GRAND RAPIDS • MILWAUKEE • MINNEAPOLIS

## POLICIES

### Freight

New Life will ship orders freight prepaid that meet the minimum dollar amount in effect to qualify for prepaid shipments. Shipment will be made via the New Life Delivery System. At New Life's discretion, shipment may also be made by other means, such as common carrier.

### Small Package Freight Policy

Orders which conform to the weight and dollar limits in effect at the time may qualify for UPS/FedEx or similar shipment.

### Minimum Orders

Dollar limits, excluding freight, govern minimum order quantities in effect at time of shipment.

### Credit Terms

Net 30 days from date of invoice. Past Due accounts are subject to an interest charge at the maximum legal rate and will be placed on COD terms until open account status is approved.

### Shortages and Adjustments

Claims for shortages must be made within 48 hours of receipt of order.

Shortage claims on orders shipped on other than the New Life Delivery System must be filed with the delivering carrier.

A copy of the packing list and invoice must be provided.

### Returns

All returns must be approved in advance and issued a Return Goods Authorization (RGA) number.

A copy of the packing list and invoice must be provided.

### Disclaimer

The information contained in this catalog, to the best of our knowledge, is correct. Great pains have been taken in proofing this information. However, New Life does not guarantee the enclosed data.

Illustrations and similar data in this catalog are intended only as an aid in identifying general configurations and have been obtained and developed from supplier data. Although New Life believes that such illustrations are accurate, and data correct, errors may exist and further verification of the part may be necessary.

NEW LIFE CANNOT, AND DOES NOT ACCEPT OR ASSUME ANY RESPONSIBILITY OR LIABILITY FOR ERRORS, OMISSIONS OR DAMAGE RESULTING FROM THE USE OR OTHER APPLICATIONS OF SUCH INFORMATION. THERE ARE NO SPECIAL WARRANTIES, EXPRESSED OR IMPLIED. NEW LIFE SHALL NOT BE LIABLE FOR SPECIAL, INCIDENTAL OR CONSEQUENTIAL DAMAGES FROM THE USE OR OTHER MODIFICATIONS OR APPLICATIONS OF THE INFORMATION CONTAINED HERE WITHIN.

| LOCATION         | Phone Number   | Local Number | Fax Number   |
|------------------|----------------|--------------|--------------|
| Atlanta, GA      | 1-800-748-7911 | 404-244-1965 | 404-244-1973 |
| Chicago, IL      | 1-800-968-9777 | 708-563-1500 | 708-563-1541 |
| Dallas, TX       | 1-800-772-5362 | 214-638-3646 | 214-631-0124 |
| Fargo, ND        | 1-888-282-0882 | 701-282-0880 | 701-282-6894 |
| Grand Rapids, MI | 1-800-748-0555 | 616-878-3633 | 800-530-9666 |
| Milwaukee, WI    | 1-800-506-0861 | 262-373-0736 | 262-373-0808 |
| Minneapolis, MN  | 1-800-688-3154 | 651-209-7300 | 651-645-3306 |



## TOPIC INDEX

|  |          |  |         |
|--|----------|--|---------|
| <b>A</b> bx Lining Chart .....         | 70       | Bendix AD-IP Air Dryer .....           | 7       |
| Abex Lining RSD .....                  | 71       | Bendix AD-IS Air Dryer.....            | 8       |
| ABS.....                               | 29-40    | Bendix AD-SP Air Dryer .....           | 7       |
| ABS Cable Assemblies.....              | 483      | Bendix Air Dryers.....                 | 5-8     |
| Accuride Wheels .....                  | 181-183  | Bendix Automatic Slacks .....          | 64      |
| AD-9 Air Dryer .....                   | 5-6      | Bendix Brake Calipers .....            | 160     |
| ADB Air Disc Brakes.....               | 110-116  | Bendix Compressors.....                | 1-3     |
| Adhesives and Sealants.....            | 468-469  | Bendix Disc Brake Pads.....            | 54      |
| Air Brake Fittings.....                | 128, 130 | Bendix OR Valves Listing.....          | 24      |
| Air Brake Hose Fittings.....           | 134      | Bendix Puraguard.....                  | 8       |
| Air Brake Tubing.....                  | 138      | Betts Industries Lighting.....         | 507     |
| Air Brake Tubing Clamps.....           | 138      | Binders .....                          | 592     |
| Air Control Valves .....               | 250-252  | Bit Insert.....                        | 372     |
| Air Cylinder Control Valves.....       | 27       | Bits Drill .....                       | 630     |
| Air Cylinders Fifth Wheel.....         | 575      | Bits Torx.....                         | 372     |
| Air Disc Brakes .....                  | 110-116  | B-Lock Brake Shoes.....                | 81      |
| Air Dryers.....                        | 5-10     | Body Parts Misc .....                  | 413     |
| Air Hose Assemblies .....              | 132      | Bolt Kit Bottom Rail.....              | 401     |
| Air Hose Bulk.....                     | 132      | Bolt Kit Crossmember .....             | 374     |
| Air Hoses Truck to Trailer.....        | 133      | Bolt Kit Landing Gear .....            | 313     |
| Air Lines Coiled.....                  | 139      | Bottom Rail Bolt Kit.....              | 401     |
| Air Pressure Gauges.....               | 252      | Bottom Side Rail Strick .....          | 402     |
| Air Ride Suspensions.....              | 248-290  | Bottom Side Rails.....                 | 398-402 |
| Air Ride Suspensions Cush Suspension   | 289-290  | Bottom Side Rails Hyundai.....         | 398-400 |
| Air Spring and Shock Reference.....    | 205      | Bottom Side Rails Morgan Body .....    | 401     |
| Air Spring control valve.....          | 248      | Bottom Side Rails Trailmobile .....    | 401     |
| Air Spring Interchange .....           | 195      | Brace Lugs Landing Gear .....          | 315     |
| Air Springs.....                       | 192-199  | Braces Landing Gear.....               | 315     |
| Air Tanks.....                         | 140-146  | Brake Calipers .....                   | 160     |
| Air Tanks Bracket Layout Chart.....    | 146      | Brake Camshaft Bushing Kits .....      | 97-104  |
| Air Valves .....                       | 11-28    | Brake Camshaft Components .....        | 105-107 |
| Alarms Backup.....                     | 560      | Brake Camshafts .....                  | 91-96   |
| Alternators .....                      | 505      | Brake Chamber Components.....          | 60      |
| Aluminum Roof.....                     | 369      | Brake Chambers.....                    | 56-60   |
| Aluminum Wearband.....                 | 370      | Brake Clean .....                      | 480     |
| Aluminum Wheels.....                   | 181      | Brake Drum Bolt Kits .....             | 158     |
| Anco Wiper Blades .....                | 627-628  | Brake Drum Bolt Kits .....             | 187     |
| Anti-Nosedive Jack .....               | 312      | Brake Drums .....                      | 151-155 |
| Apitong Flooring .....                 | 371      | Brake Fluid .....                      | 473     |
| Atlas 55 SAF-Holland Landing Gear..... | 297-299  | Brake Foot Valves.....                 | 23      |
| Atlas 65 SAF Holland Landing Gear..... | 294-296  | Brake Pods.....                        | 56-60   |
| Automatic Slack Adjusters .....        | 62-66    | Brake Rotors .....                     | 159     |
| Automatic Slack Puller.....            | 64       | Brake Shoe Hardware Kits .....         | 83-89   |
| Axle Breakdown Typical Setup .....     | 124-125  | Brake Shoe Hardware Parts.....         | 90      |
| Axle Dust Shields.....                 | 126      | Brake Shoe Identification .....        | 67-69   |
| Axle Kits .....                        | 117-118  | Brake Shoes .....                      | 67-82   |
| Axle Nut Sockets.....                  | 109      | Brake Shoes New Lined.....             | 79      |
| Axle Spindle Nuts and Locks .....      | 108-109  | Brake Spider .....                     | 126     |
| Axles.....                             | 117-125  | Brass .....                            | 127-131 |
| <b>B</b> ackup Alarms.....             | 560      | Bulbs Headlamps.....                   | 561     |
| Backup Lamps .....                     | 528      | Bulbs Mini.....                        | 561-562 |
| Batteries.....                         | 489      | Bulbs Rough Service.....               | 603     |
| Battery and Starter Cable .....        | 490      | Bulk Air Hose .....                    | 132     |
| Battery Terminals and Lugs.....        | 490      | Bulk Trailer Cable .....               | 485     |
| Bearings.....                          | 161-162  | Bulldog Jacks .....                    | 53      |
| Bearings Fleetcraft .....              | 162      | Bumper Tube.....                       | 422     |
| Bearings Stemco .....                  | 162      | Bumpers Dock.....                      | 604     |
| Belts.....                             | 610      | Bushings Hendrickson.....              | 275     |
| Bendix ABS.....                        | 40       | Butt Connectors .....                  | 487     |
| Bendix AD-2 Air Dryer.....             | 7        | <b>C</b> ab Guards and Tool Boxes..... | 634     |
| Bendix AD-9 Air Dryer.....             | 5-6      | Cable and Circuit Tester.....          | 553     |

**The Part Number  
Index is at the Back  
of the Catalog.**





## TOPIC INDEX

|   |         |                                       |         |
|---|---------|---------------------------------------|---------|
| Cable Battery and Starter .....         | 490     | Corner Protectors .....               | 591     |
| Cable Bulk Trailer .....                | 485     | Corner Repair for Swing Door .....    | 347     |
| Cable Ties.....                         | 488     | Corner Tab Adhesive .....             | 347     |
| Cables Rollup Door .....                | 336     | Corner Tabs Swing Door .....          | 347     |
| CAC Hose.....                           | 148     | Corrugated Side Panels .....          | 411     |
| Calipers.....                           | 160     | Couplings .....                       | 150     |
| Camshaft Bushing Kits.....              | 97-104  | Courtesy Lamps .....                  | 528-529 |
| Camshafts.....                          | 91-96   | Crack Filler Floor Restore .....      | 470     |
| Camtainer Nut and Bolt .....            | 413     | Crank Handles Landing Gear .....      | 315     |
| Cargo Bars .....                        | 589-590 | Crest XL Brake Shoes.....             | 76      |
| Cargo Control Tarp Straps .....         | 591     | Crossfire Tire Pressure .....         | 188     |
| Cargo Control Binders .....             | 592     | Crossmember Bolt Kit .....            | 374     |
| Cargo Control Cargo Bars.....           | 589-590 | Crossmember Clips.....                | 374     |
| Cargo Control Logistic Straps.....      | 589     | Crossmembers.....                     | 374     |
| Cargo Control Products.....             | 587-592 | Cush Air Ride Suspensions.....        | 289-290 |
| Cargo Control Ratchet Straps.....       | 588     | Cyclo Products.....                   | 472-473 |
| Cargo Control Shoring Beams .....       | 590     | <b>D</b> ash Fans .....               | 499     |
| Cargo Control Strap Winder.....         | 587     | Deck Clip.....                        | 372     |
| Cargo Hoops Load Locks .....            | 589     | DEF.....                              | 481     |
| CBL Kits.....                           | 264     | Dexter Axle .....                     | 41-50   |
| CBX23 CBX25 CB2300 Suspension.....      | 258-263 | Diesel Exhaust Fluid.....             | 481     |
| Center Floor Channel .....              | 372     | Disc Brake Pad Sets .....             | 54      |
| Chain Products.....                     | 592     | Discharge hose.....                   | 3       |
| Chain Tie Downs .....                   | 592     | Divider Strip.....                    | 414     |
| Chains Tire.....                        | 606     | Dock Bumpers .....                    | 604     |
| Channel Spacers Wheel.....              | 188     | Document Holders.....                 | 364     |
| Charge Air Cooler Hose .....            | 148     | Dollies and Jacks.....                | 629     |
| Chassis Tube Bumper.....                | 455     | Dome Lights .....                     | 530     |
| Check Valves.....                       | 12      | Door Gasket.....                      | 348     |
| Chemicals .....                         | 472-481 | Door Gasket Steel Door Container..... | 457     |
| Circuit Checker .....                   | 499     | Door Hinges Container.....            | 456-457 |
| Clamps Exhaust.....                     | 621-622 | Door Holdbacks Container .....        | 461     |
| Clamps Hose .....                       | 149     | Door Lock Rear and Mid Cam Kits ..... | 351     |
| Clamps Spoke Wheel.....                 | 156     | Door Lube Todco .....                 | 321     |
| Cleaners .....                          | 472     | Door Rivets .....                     | 321     |
| Cleaners Trailmobile .....              | 481     | Door Seal .....                       | 348     |
| Clearance and Marker Lights Trucklite.. | 512-517 | Doors Section .....                   | 320-363 |
| Clevis Chain Hook .....                 | 592     | Dorsey Nose Rails .....               | 379     |
| Clip Deck.....                          | 372     | Dorsey Radius Panel .....             | 390     |
| Clutches .....                          | 611-612 | Dorsey Top Side Rail .....            | 396     |
| Coil Rack .....                         | 591     | Drain Cocks.....                      | 28      |
| Coiled Air Lines.....                   | 139     | Drain Valve Containers .....          | 462     |
| Coiled Electrical Cables .....          | 482     | Drain Valves .....                    | 28      |
| Composite Side Panels Hyundai .....     | 410     | Drain Valves Drain cocks .....        | 129     |
| Compressors .....                       | 1-4     | Drawbar Hinge Kit.....                | 586     |
| Conductor Cable.....                    | 486     | Drawbars .....                        | 585-586 |
| Connectors Wire .....                   | 487     | Drill Bits .....                      | 630     |
| Conspicuity Tape .....                  | 555     | Drive Rivets Nylon.....               | 373     |
| Container Body Components .....         | 423-425 | Drop Legs .....                       | 312     |
| Container Door Hinges.....              | 456-457 | Duralite 2 Suspension Parts.....      | 245-247 |
| Container Door Holdbacks .....          | 461     | Dust Shields.....                     | 126     |
| Container Door Lock Hardware.....       | 458-460 | <b>E</b> Track.....                   | 590     |
| Container Door Parts.....               | 456-461 | Elbows Exhaust .....                  | 620     |
| Container Drain Valve .....             | 462     | Electric Flashers.....                | 506     |
| Container Vent.....                     | 462     | Electrical .....                      | 482-506 |
| Contitech Air Springs .....             | 193     | Electrical Cables Coiled .....        | 482-485 |
| Control Valve Modules.....              | 14      | Electrical Plugs and Receptacles..... | 495-498 |
| Conversion Kits Rollup Door .....       | 321     | Electrical Starters.....              | 503-504 |
| Corner Caps .....                       | 380-384 | Electrical Switches.....              | 491-493 |
| Corner Gasket Tabs Swing Door.....      | 347     | Electrical Tape .....                 | 488     |
| Corner Iron Reinforcement.....          | 347     | Electrical Tape .....                 | 499     |

**The Part Number  
Index is at the Back  
of the Catalog.**



## TOPIC INDEX

|   |         |                                       |         |
|---|---------|---------------------------------------|---------|
| Electrical Tools of the Trade .....       | 499     | Folding Steps .....                   | 603     |
| Elevator Bolts .....                      | 321     | Fontaine Fifth Wheels .....           | 567-568 |
| Emergency Sync Valves.....                | 16      | Frame Couplings.....                  | 134     |
| Enamel Spray Paint .....                  | 479     | Frame Nipples.....                    | 134     |
| Engine Heaters .....                      | 613     | Freon .....                           | 481     |
| Enhanced Easy Stop ABS .....              | 32-33   | Freylube Tire Lubricant.....          | 478     |
| Equal Tire Performance .....              | 190     | Front Corner Posts Hyundai.....       | 404     |
| Exhaust.....                              | 614-624 | Front Protectors Hyundai.....         | 385     |
| Exhaust Clamps.....                       | 621-622 | Froth Paks.....                       | 471     |
| Exhaust Connectors.....                   | 618     | FRP Nut and Bolt.....                 | 413     |
| Exhaust Elbows .....                      | 620     | FRP Panels .....                      | 413     |
| Exhaust Flex Tubing.....                  | 623     | FRP Quick Patch .....                 | 413     |
| Exhaust Hangers .....                     | 617     | FRP Quick Patch .....                 | 470     |
| Exhaust Stack Pipes .....                 | 619     | FRP Splice .....                      | 413     |
| <b>F</b> Track .....                      | 590     | Fruehauf Suspension Parts .....       | 241-243 |
| Fan Clutch .....                          | 632     | Full Function Valves .....            | 23      |
| Fans Dash .....                           | 499     | Fusees .....                          | 603     |
| FC20 FC23 brake lining .....              | 72      | Fuses .....                           | 494     |
| Fenders.....                              | 596-598 | <b>G</b> arage Stands .....           | 629     |
| FF2 FF3 Trailer Valves.....               | 23      | Gauges Air Pressure.....              | 252     |
| Fifth Wheel Air Cylinders.....            | 575     | Gear Boxes Hopper Applications.....   | 313     |
| Fifth Wheel Bushings SAF Holland .....    | 579     | Generic Suspension Parts.....         | 244     |
| Fifth Wheel SAF Holland Quick List.....   | 576     | Gladhand Accessories.....             | 137     |
| Fifth Wheels .....                        | 566-582 | Gladhand Seals.....                   | 136     |
| Fifth Wheels Fontaine .....               | 567-568 | Gladhands .....                       | 135-137 |
| Fifth Wheels Jost.....                    | 581-582 | Glo Lights .....                      | 535     |
| Fifth Wheels SAF Holland .....            | 569-580 | Gloves .....                          | 633     |
| Filters.....                              | 625-626 | Gojo Cleaners.....                    | 631     |
| Fire Extinguishers .....                  | 602     | Governors.....                        | 10      |
| Firestone Air Springs .....               | 194-198 | Grab Handles .....                    | 365     |
| First Aid Kit.....                        | 602     | Grab Handles .....                    | 603     |
| Flags .....                               | 602     | Grate Tractor.....                    | 603     |
| Flashers Electric.....                    | 506     | Grote LED Lighting .....              | 537-540 |
| Fleecraft Classic Landing Gear.....       | 306-307 | Grote Marker Clearance Lighting ..... | 508-509 |
| Fleecraft Lighting .....                  | 532-535 | Grote Pigtails.....                   | 510-511 |
| Fleetcote by Fleetcraft.....              | 73      | Grote Stop Turn Tail Lights .....     | 520-522 |
| Fleetcraft Air Dryers.....                | 10      | Guard Step Hyundai .....              | 415     |
| Fleetcraft Air Springs.....               | 192     | Gunite Automatic Slacks.....          | 63      |
| Fleetcraft Automatic Slacks .....         | 66      | <b>H</b> adley Horns .....            | 564-565 |
| Fleetcraft Axles.....                     | 122-123 | Haldex ABS.....                       | 37-39   |
| Fleetcraft Bearings .....                 | 162     | Haldex Air Dryers.....                | 9       |
| Fleetcraft Brake Lining.....              | 72      | Haldex Automatic Slacks .....         | 65      |
| Fleetcraft J Model Landing Gear.....      | 310-311 | Haldex Brake Shoes .....              | 77      |
| Fleetcraft Landing Gear Listing .....     | 305     | Haldex Compressors .....              | 4       |
| Fleetcraft Multipurpose Lube .....        | 321     | Haldex Spring Brakes .....            | 57      |
| Fleetcraft Paint .....                    | 479     | Halogen Lamps .....                   | 563     |
| Fleetcraft Rollup Door Assemblies.....    | 337-338 | Hammerblow Jacks .....                | 53      |
| Fleetcraft Rollup Door Components .....   | 343-344 | Hand Cleaner .....                    | 631     |
| Fleetcraft Rollup Door Panels.....        | 345     | Handles Grab .....                    | 365     |
| Fleetcraft Rollup Door Schematics.....    | 339-342 | Hardware Kits Brake Shoes .....       | 83-89   |
| Fleetcraft Spring Brakes .....            | 56      | Hardwood Flooring .....               | 371     |
| Fleetcraft Three-Shaft Landing Gear ..... | 308-309 | Hardwood Scuff .....                  | 370     |
| Fleetcraft Valves .....                   | 25-26   | Harness Wiring Kit.....               | 506     |
| Flex Fab Hose .....                       | 148     | Headlamp Bulbs.....                   | 561     |
| Flex Tubing.....                          | 623     | Headlights.....                       | 563     |
| Floor Channel Center .....                | 372     | Heater Hose .....                     | 147     |
| Floor Restore .....                       | 470     | Heaters Engine .....                  | 613     |
| Floor Screws .....                        | 372     | Height control Valves .....           | 250-252 |
| Flooring 19 Ply.....                      | 371     | Hendrickson Air Springs .....         | 199     |
| Flooring Apitong .....                    | 371     | Hendrickson Auxillary.....            | 276     |
| Folding Step .....                        | 365     | Hendrickson Axles .....               | 121     |

**The Part Number  
Index is at the Back  
of the Catalog.**



## TOPIC INDEX

|   |         |   |         |
|---|---------|---|---------|
| Hendrickson Bushings and Bolts .....      | 275     | Hyundai Side Posts .....                | 403-404 |
| Hendrickson HT230 HT250 Susp .....        | 269-272 | Hyundai Swing Door Components .....     | 361-363 |
| Hendrickson Shocks .....                  | 203     | Hyundai Threshold Plates .....          | 415     |
| Hendrickson Slider Boxes .....            | 276     | Hyundai Top Front Panel .....           | 415     |
| Hendrickson Tiremaax .....                | 179     | Hyundai Top Side Rails .....            | 393-394 |
| Hendrickson Truck Susp Components .....   | 276     | Hyundai Trailer Landing Gear Spec ..... | 319     |
| Hinge Pins and Brackets Swing Door .....  | 359     | ICC Bumper Upright and Tube Kit .....   | 422     |
| Hinges Swing Door .....                   | 353-359 | ICC Bumpers .....                       | 417-422 |
| Hold Backs Swing Door .....               | 360     | ICC Bumpers Hyundai .....               | 417-420 |
| Hood Catches .....                        | 634     | ICC Bumpers Strick .....                | 421     |
| Hooks Tow .....                           | 586     | ICC Bumpers Trailmobile .....           | 421     |
| Hopper Gear Boxes .....                   | 313     | Incandescent Lighting .....             | 507-533 |
| Horns .....                               | 564-565 | Indicators Wheel Nuts .....             | 189     |
| Hose Assemblies .....                     | 132     | Intermodal Container Components .....   | 423-425 |
| Hose Clamps .....                         | 137     | Intermodal Landing Gear .....           | 463     |
| Hose Clamps .....                         | 149     | Intermodal Lighting .....               | 464-466 |
| Hose End Repair Kits .....                | 134     | Intermodal Parts .....                  | 423-466 |
| Hose Fittings Air Brake .....             | 134     | Inversion Valves .....                  | 12      |
| Hose Flex Fab .....                       | 148     | J Model Landing Gear .....              | 310-311 |
| Hose Heater .....                         | 147-148 | J Molding .....                         | 414     |
| Hose Hydraulic .....                      | 150     | J Molding Morgan Body .....             | 413     |
| Hose Rack .....                           | 132     | Jack Anti-Nosedive .....                | 312     |
| Hose Radiator .....                       | 147     | Jack Load Stabilizer .....              | 313     |
| Hose Separators .....                     | 132     | Jost Fifth Wheels .....                 | 581-582 |
| Hose Service .....                        | 150     | Jost Landing Gear Listing .....         | 302     |
| Hose Support Springs .....                | 132     | JT-6 Mystik .....                       | 475     |
| HT230 HT250 Suspensions .....             | 269-272 | JT-7 Mystik .....                       | 476     |
| Hub and Drum Assemblies .....             | 158     | JT-8 Mystik .....                       | 476     |
| Hubcap Accessories .....                  | 174     | Junction Boxes .....                    | 501-502 |
| Hubcaps .....                             | 171-175 | K Brace assemblies .....                | 416     |
| Hubcaps Hubodometer .....                 | 175     | Kazoo .....                             | 462     |
| Hubodometer Hub Caps .....                | 175     | Kemlite Scuff .....                     | 370     |
| Hubodometers .....                        | 175-176 | Key Polymer Floor Restore .....         | 470     |
| Hubs .....                                | 157     | King Pin Gauge .....                    | 580     |
| Hutchens Boxed Kits Listing .....         | 212     | King Pin Kits Stemco Kaiser .....       | 632     |
| Hutchens H900 .....                       | 223-225 | King Pin Lock Tester .....              | 580     |
| Hutchens Series 7700 parts .....          | 226-231 | Kingpin Locks .....                     | 583     |
| Hutchens Series 9700 parts .....          | 226-231 | Kingpins Trailer .....                  | 583     |
| Hutchens Slider Box Components .....      | 222     | Kinpin Disc .....                       | 583     |
| Hutchens Slider Boxes .....               | 219-220 | Kinpin Sections .....                   | 583     |
| Hutchens Slider Rails .....               | 221     | Laminated Hardwood Flooring .....       | 371     |
| Hutchens Suspensions .....                | 212-231 | Landing Gear .....                      | 291-319 |
| Hydraulic Hose .....                      | 150     | Landing Gear Bolt Kit .....             | 313     |
| Hyundai Bottom Side Rails .....           | 398-400 | Landing Gear Brace Lugs .....           | 315     |
| Hyundai Composite Side Panels .....       | 410     | Landing Gear Braces .....               | 315     |
| Hyundai Corner Caps .....                 | 380     | Landing Gear Components .....           | 314-318 |
| Hyundai Door Track Protector .....        | 329     | Landing Gear Crank Handles .....        | 315     |
| Hyundai Front Corner Posts .....          | 404     | Landing Gear Ears .....                 | 315     |
| Hyundai Front Protectors .....            | 385     | Landing Gear Hyundai Trailer Spec ..... | 319     |
| Hyundai Guard Step .....                  | 415     | Landing Gear Intermodal .....           | 463     |
| Hyundai ICC Bumpers .....                 | 417-420 | Landing Gear Jost components .....      | 303-304 |
| Hyundai Inner and Outer Door Gasket ..... | 349     | Landing Gear Listing Fleetcraft .....   | 305     |
| Hyundai K Braces .....                    | 416     | Landing Gear Listing Jost .....         | 302     |
| Hyundai Liner Panels .....                | 387     | Landing Gear Listing SAF Holland .....  | 291     |
| Hyundai Nose Posts .....                  | 392     | Landing Gear Sandshoe Axles .....       | 314     |
| Hyundai Nose Rails .....                  | 376     | Landing Gear Sandshoes .....            | 314     |
| Hyundai Radius Panels .....               | 386-387 | Landing Gear Wing Brackets .....        | 316-318 |
| Hyundai Rear Corner Posts .....           | 404     | Leaf Springs .....                      | 206-209 |
| Hyundai Reefer Components .....           | 414     | Leak Tester .....                       | 480     |
| Hyundai Roof Bows .....                   | 408     | LED Lighting .....                      | 534-552 |
| Hyundai Side Panels .....                 | 410     | LED Lighting Grote .....                | 537-540 |

**The Part Number  
Index is at the Back  
of the Catalog.**



## TOPIC INDEX

|  |         |   |         |
|--|---------|---|---------|
| LED Lighting Trucklite.....              | 541-552 | Mirrors .....                           | 600-601 |
| Lever Style Valves .....                 | 16      | Monobolts.....                          | 373     |
| License Lamps .....                      | 529     | Monroe Shocks.....                      | 200-202 |
| Lift axle Control Module .....           | 249     | Morgan Body Bottom Side Rail .....      | 401     |
| Lift axle Control Valve .....            | 248     | Morgan Body Corner Caps.....            | 383     |
| Lift Pads.....                           | 414     | Morgan Body J Molding.....              | 413     |
| Light Duty Commerical Jacks.....         | 312     | Morgan Body Nose Rail.....              | 377     |
| Light Duty Trailer .....                 | 41-53   | Morgan Body Radius Panels.....          | 390     |
| Light Duty Trailer Jacks.....            | 53      | Morgan Body Roof Bows .....             | 409     |
| Lighting.....                            | 507-554 | Morgan Body Side Posts .....            | 407     |
| Lighting Betts Industries.....           | 507     | Morgan Body Top Side Rails .....        | 396     |
| Lighting Corrosion Preventative.....     | 553     | MTIS PSI.....                           | 177-178 |
| Lighting Fleetcraft.....                 | 532-535 | Mudflap Brackets.....                   | 594-595 |
| Lighting Incandescent.....               | 507-533 | Mudflaps.....                           | 593     |
| Lighting Intermodal .....                | 464-466 | Mufflers Walker.....                    | 615-616 |
| Lighting LED.....                        | 534-552 | Multipurpose Lube Fleetcraft .....      | 321     |
| Lighting Lens'.....                      | 553     | Mystik Lubricants .....                 | 475-476 |
| Lighting Reflectors.....                 | 554     | <b>N</b> ational Seals .....            | 169     |
| Lighting Strobes .....                   | 556-560 | New Lined Brake Shoes.....              | 79      |
| Liner Panels Hyundai .....               | 387     | Nineteen Ply Flooring .....             | 371     |
| Load Bar Door Saver Todco.....           | 329     | Nose Posts.....                         | 392     |
| Load Locks .....                         | 589-590 | Nose Rails .....                        | 376-379 |
| Load Stabilizer Jacks.....               | 313     | Nosebox Assemblies .....                | 501-502 |
| Lock Rod Kit Trailmobile.....            | 350     | Nut and Bolt FRP.....                   | 413     |
| Locks Kingpin.....                       | 583     | Nut Sockets.....                        | 186     |
| Log Book.....                            | 602     | Nylon Drive Rivets.....                 | 373     |
| Logistic Straps.....                     | 589     | Nylon Tubing.....                       | 138     |
| Long Stroke Chamber Info.....            | 55      | <b>O</b> utright Reman Brake Shoes..... | 80      |
| Loom.....                                | 486     | <b>P</b> aint Spray.....                | 479     |
| Lubricants.....                          | 473     | Panels FRP .....                        | 413     |
| Lucas Oil Products.....                  | 474     | Panels Radius .....                     | 386-391 |
| Lugs Battery.....                        | 490     | Parker Couplings.....                   | 150     |
| <b>M</b> 3 M8 Brake Lining.....          | 78      | Parker Hydraulic hose.....              | 150     |
| Maltese Cross Kingpins .....             | 583     | Parker Quick Couplings.....             | 150     |
| Manual Slack Adjusters .....             | 61      | Patches Vanfastic .....                 | 411     |
| Mark V Holland Landing Gear .....        | 292-293 | Pencool 3000 .....                      | 478     |
| Marker Clearance Lighting Grote .....    | 508-509 | Penray Stabil Aid.....                  | 478     |
| Marker Clearance Lighting Trucklite..... | 512-517 | Permatex Sealants Silicones .....       | 480     |
| Mattresses .....                         | 633     | Philatron Stallion Air Lines .....      | 139     |
| MBS ABS Kits .....                       | 36      | Phillips Polar Air Lines.....           | 139     |
| Meritor ABS.....                         | 29-34   | Phillips Power Grip Air lines.....      | 139     |
| Meritor Air Dryers.....                  | 9       | Pigtail Retaining Clip.....             | 466     |
| Meritor Air Spring.....                  | 199     | Pigtails Grote.....                     | 510-511 |
| Meritor AllFit Shocks .....              | 204     | Pinion Seals.....                       | 166     |
| Meritor Automatic Slacks .....           | 62-63   | Pintle Hooks .....                      | 584-585 |
| Meritor Axles.....                       | 119-120 | Pipe Fittings.....                      | 127     |
| Meritor Brake Rotors .....               | 159     | Placards.....                           | 605     |
| Meritor MTA Suspension Parts Kits .....  | 285     | Plastic Scuffplate .....                | 371     |
| Meritor MTA23T Suspension Parts .....    | 281-282 | Plate Threshold.....                    | 372     |
| Meritor MTA25T Suspension Parts .....    | 283-284 | Platinum Shield II.....                 | 74      |
| Meritor Platinum Shield II.....          | 74      | Plow Lighting Kit .....                 | 531     |
| Meritor PSI.....                         | 177-178 | Plugs and Receptacles.....              | 495-498 |
| Meritor RideStar RHP Ride Sentry .....   | 277-280 | Plywood.....                            | 370     |
| Meritor RSD .....                        | 75      | Pogosticks .....                        | 137     |
| Meritor Steelite X30 Drums .....         | 154     | Power Extension Cable ABS.....          | 35      |
| Meritor Suspension .....                 | 277-285 | Power Steering Fluid .....              | 473     |
| MGM Spring Brakes .....                  | 58      | Pressure Protection Valves .....        | 11      |
| Mid-Cam Door Lock Hardware .....         | 351     | Pressure Relief Valves .....            | 10      |
| Milemate Sets .....                      | 161     | Primary Wire.....                       | 486     |
| Millenium Brake Shoes .....              | 78,80   | Protectors Corner .....                 | 591     |
| Mini Bulbs.....                          | 561-562 | Pro-Torque Spindle Nuts.....            | 109     |

**The Part Number  
Index is at the Back  
of the Catalog.**



## TOPIC INDEX

|  |         |   |         |
|--|---------|---|---------|
| PSI Meritor.....                       | 177-178 | Roof Translucent.....                     | 368     |
| Pumps Water.....                       | 607     | Roof Translucent Repair Kits.....         | 369     |
| Push In Brass Fittings.....            | 131     | Rotella Shell.....                        | 478     |
| Push to Connect Fittings.....          | 131     | Rotors Brake.....                         | 159     |
| Push-Pull Valves.....                  | 15      | Rough Service Bulbs.....                  | 603     |
| <b>Q</b> versus Q+ Cams and Shoes..... | 82      | RSD Abex lining.....                      | 71      |
| Quick Couplings.....                   | 150     | RSD Meritor Lining.....                   | 75      |
| Quick Patch FRP Repair.....            | 413     | RSS.....                                  | 35      |
| Quick Release Valves.....              | 13      | Rubber Air Lines.....                     | 133     |
| <b>R</b> ack Coil.....                 | 591     | <b>S</b> AF Holland CBX23 CBX25 Susp..... | 258-263 |
| Radiator Hose.....                     | 147     | SAF Holland Fifth Wheel.....              | 569-580 |
| Radius Panels.....                     | 386-391 | SAF Holland Fifth Wheel Bushings.....     | 579     |
| Rain Caps.....                         | 617     | SAF Holland Pintle Hooks.....             | 584-585 |
| Rapid Dump Valve.....                  | 249     | SAF Holland Slide Brackets.....           | 577-578 |
| RAR 240 Ridewell.....                  | 286-287 | SAF Holland Tube Bumper.....              | 422     |
| Ratchet Straps.....                    | 588     | Safety Grate.....                         | 603     |
| Rear Corner Posts Hyundai.....         | 404     | Safety Products.....                      | 602-603 |
| Rear Door Lock Hardware.....           | 351     | SAF-Holland 50,000 Landing Gear.....      | 300     |
| Receptacles Trucklite.....             | 500     | SAF-Holland 51,000 Landing Gear.....      | 301     |
| Reflective Tape.....                   | 555     | SAF-Holland Air Control kits.....         | 264-265 |
| Reflectors.....                        | 554     | SAF-Holland Air Springs.....              | 199     |
| Relay Valves.....                      | 19-22   | SAF-Holland Atlas 55 Landing Gear.....    | 297-299 |
| Retaining Clip Pigtail.....            | 466     | SAF-Holland Atlas 65 Landing Gear.....    | 294-296 |
| Reyco 86AR and 20 AR parts.....        | 236     | SAF-Holland CBL Kits.....                 | 264     |
| Reyco Model 21B suspension parts.....  | 238     | SAF-Holland Drawbars.....                 | 585-586 |
| Reyco Model 88 Suspension parts.....   | 237     | SAF-Holland Mark V Landing Gear.....      | 292-293 |
| Reyco Suspension.....                  | 232-240 | SAF-Holland RL Series Suspensions.....    | 253-257 |
| Reyco T200AX and T-502L parts.....     | 236     | SAF-Holland Shocks.....                   | 203     |
| Reyco Transpro Overslung.....          | 239     | SAF-Holland SRK Kits.....                 | 266-268 |
| Reyco Transpro Underslung.....         | 240     | Sandshoe Axles Landing Gear.....          | 314     |
| Ridewell RCA215 Flex Mount.....        | 288     | Sandshoes Landing Gear.....               | 314     |
| Ridewell RCA215T Suspension.....       | 288     | Screws Floor.....                         | 372     |
| Ridewell Suspensions.....              | 286-288 | Scuff Aluminum.....                       | 414     |
| Rim Clamps.....                        | 156     | Scuff Hardwood.....                       | 370     |
| Rim Clamps.....                        | 187     | Scuff Steel.....                          | 370     |
| Rims to Tires Size Chart.....          | 180     | Scuffplate Fiberglass.....                | 370     |
| Ring Terminals.....                    | 487     | Scuffplate Plastic.....                   | 371     |
| Rivet Monobolt.....                    | 373     | Sealants and Adhesives.....               | 468-469 |
| Rivets Aluminum.....                   | 412     | Sealants Silicones Permatex.....          | 480     |
| Rivets Monobolt.....                   | 373     | Sealed Beams.....                         | 563     |
| Rivets Rollup Door.....                | 321     | Seals Gladhands.....                      | 136     |
| RL Series Suspensions.....             | 253-257 | Seals Shipping.....                       | 603     |
| Road Gear.....                         | 634     | Seals Wheels.....                         | 163-170 |
| Roll Stability Support.....            | 35      | Sensors - ABS.....                        | 34      |
| RollUp Door Assemblies Fleetcraft..... | 337-338 | Service Hose.....                         | 150     |
| Rollup Door Assemblies Todco.....      | 322     | Service Repair Kits SRK.....              | 266-268 |
| Rollup Door Assemblies Whiting.....    | 331     | Seven-Way Plugs and Receptacles.....      | 495-498 |
| Rollup Door Cables.....                | 336     | Shell Rotella.....                        | 478     |
| Rollup Door Components Fleetcraft..... | 343-345 | Shipping Seals.....                       | 603     |
| Rollup Door Fasteners.....             | 321     | Shock Absorbers.....                      | 200-205 |
| Rollup Door Panels Fleetcraft.....     | 345     | Shock and Air Spring Reference.....       | 205     |
| Rollup Door Panels Todco.....          | 323     | Shop Equipment.....                       | 629-631 |
| Rollup Door Panels Whiting.....        | 334     | Shop Rags.....                            | 631     |
| Rollup Door Schematics Fleetcraft..... | 339-342 | Shop Towels.....                          | 631     |
| Rollup Door Schematics Todco.....      | 324-328 | Shoring Beams.....                        | 590     |
| Rood Bows Strick.....                  | 408     | Shrink Tubing.....                        | 488     |
| Roof Aluminum.....                     | 369     | Shut-Off Gladhands.....                   | 136     |
| Roof Bows.....                         | 408-409 | Side Door Kit.....                        | 352     |
| Roof Bows Hyundai.....                 | 408     | Side Door Lock Kit.....                   | 352     |
| Roof Bows Morgan Body.....             | 409     | Side Panels.....                          | 410-411 |
| Roof Sheet Reinforcement.....          | 414     | Side Panels Corrugated.....               | 411     |

**The Part Number  
Index is at the Back  
of the Catalog.**



## TOPIC INDEX

|  |         |   |         |
|--|---------|---|---------|
| Side Posts .....                               | 403-407 | Straight Rubber Air Lines.....          | 133     |
| Side Posts Hyundai .....                       | 403-404 | Strap Winders.....                      | 587     |
| Side Posts Morgan Body .....                   | 407     | Straps Logistic.....                    | 589     |
| Side Posts Strick.....                         | 406     | Straps Ratchet.....                     | 588     |
| Side Posts Supreme .....                       | 407     | Straps Tarp .....                       | 591     |
| Side Posts Trailmobile.....                    | 405     | Strick Body Parts Misc.....             | 413     |
| Side Skirt.....                                | 599     | Strick Bottom Side Rail .....           | 402     |
| Silicone Sprays.....                           | 473     | Strick Corner Caps.....                 | 381     |
| Single Wire Track.....                         | 414     | Strick ICC Bumpers.....                 | 421     |
| SKF Air Dryers .....                           | 9       | Strick Nose Posts.....                  | 392     |
| SKF Hubcaps .....                              | 173     | Strick Nose Rails .....                 | 377     |
| SKF Scotseal Family of Seals .....             | 167     | Strick Radius Panels .....              | 389     |
| SKF Seal Interchange .....                     | 168     | Strick Roof Bows .....                  | 408     |
| Skid Stopper.....                              | 189     | Strick Side Posts.....                  | 406     |
| Skylights .....                                | 365     | Strick Top Side Rails .....             | 396     |
| Slack Adjusters Manual .....                   | 61      | Strip Divider.....                      | 414     |
| Slick Disc.....                                | 583     | Strobes .....                           | 556-560 |
| Slide Brackets Fifth Wheel SAF Holland 577-578 |         | Sun Patch Translucent Roof.....         | 369     |
| Smoke Bomb.....                                | 480     | Support Springs Hose.....               | 132     |
| Smooth Ride Suspension Info .....              | 248     | Supreme Corner Caps.....                | 383     |
| Snow Chains.....                               | 606     | Supreme Side Posts .....                | 407     |
| Snow Plow Lighting Kit.....                    | 531     | Suspensions Air Ride.....               | 248-290 |
| Sockets for Axle Nuts .....                    | 109     | Suspensions Meritor.....                | 277-285 |
| Spacers Wheel .....                            | 156     | Swing Away Gladhands .....              | 136     |
| Spider Brake .....                             | 126     | Swing Door Accessories.....             | 347     |
| Spindle nuts and locks.....                    | 108-109 | Swing Door Components Hyundai.....      | 361-363 |
| Splice FRP .....                               | 413     | Swing Door Gasket .....                 | 348     |
| Spoke Wheel Clamps.....                        | 187     | Swing Door Hinge Pins and Brackets..... | 359     |
| Spoke Wheels.....                              | 156     | Swing Door Hinges.....                  | 353-359 |
| Spray Paint .....                              | 479     | Swing Door Hold Backs.....              | 360     |
| Spring Brake Components.....                   | 60      | Swing Door Listing.....                 | 346     |
| Spring Brake Valves.....                       | 17-18   | Swing Door Seal.....                    | 348     |
| Spring Brakes .....                            | 56-60   | Swing Doors and Components .....        | 346-363 |
| Springs Air.....                               | 192-199 | Switches.....                           | 491-493 |
| Springs Air Interchange .....                  | 195     | <b>T</b> ail Pipes.....                 | 619     |
| Springs Leaf.....                              | 206-209 | Tanks Air .....                         | 140-146 |
| Stack Pipes .....                              | 619     | Tape Conspicuity .....                  | 555     |
| Stake Pocket .....                             | 592     | Tape Electrical.....                    | 488     |
| Starters .....                                 | 503-504 | Tape Products .....                     | 467     |
| Steel Scuff.....                               | 370     | Tape Reflective .....                   | 555     |
| Steel Wearband .....                           | 370     | Tapits.....                             | 373     |
| Steel Wheels .....                             | 181-183 | Tarp Straps .....                       | 591     |
| Stemco Bearings.....                           | 162     | Tekonsha Products.....                  | 52      |
| Stemco Crewson Auto Slacks.....                | 64      | Threshold Plate .....                   | 372     |
| Stemco Discover Seals.....                     | 166     | Threshold Plates Hyundai .....          | 415     |
| Stemco Duroline Brake Shoes.....               | 76      | Tie Rod Ends.....                       | 632     |
| Stemco Grit Guard Seals .....                  | 165     | Ties Cable .....                        | 488     |
| Stemco Guardian HP Seals.....                  | 163     | Timken Milemate Sets .....              | 161     |
| Stemco Hubcap Components .....                 | 172     | Timken Wheel Bearings.....              | 161     |
| Stemco Hubcaps.....                            | 171     | Tire Carriers.....                      | 365     |
| Stemco Hubodometers.....                       | 175     | Tire Chains.....                        | 606     |
| Stemco Kaiser King Pin Kits .....              | 632     | Tire Lube .....                         | 478     |
| Stemco Motor Wheel Drums.....                  | 155     | Tire Size to Rim Size Chart.....        | 180     |
| Stemco Pinion Seals .....                      | 166     | Tire Tools.....                         | 190     |
| Stemco Voyager Seals.....                      | 164     | Tire Valve Stems and Caps.....          | 191     |
| Step Folding .....                             | 365     | Tiremaax Hendrickson.....               | 179     |
| Stop Turn Tail Lights Grote .....              | 520-522 | Todco Door Lube .....                   | 321     |
| Stop Turn Tail Lights Trucklite .....          | 523-527 | Todco Load Bar Door Saver.....          | 329     |
| Stow Away Gladhand holder .....                | 137     | Todco Rollup Door Assemblies.....       | 322     |
| Stow Away Holder.....                          | 499     | Todco Rollup Door Components .....      | 330     |
| Straight Exhaust Tubing.....                   | 619     | Todco Rollup Door Panels .....          | 323     |

**The Part Number  
Index is at the Back  
of the Catalog.**



## TOPIC INDEX

|   |         |  |         |
|---|---------|--|---------|
| Todco Rollup Door Schematics .....        | 324-328 | Upper Couplers .....                     | 583     |
| Tool Boxes and Cab Guards .....           | 634     | Utility and Work Lamps .....             | 531     |
| Top Front Panel Hyundai .....             | 415     | <b>V</b> Series Haldex Brake Shoes ..... | 77      |
| Top Rails Hyundai .....                   | 393-394 | Valve Knobs .....                        | 15      |
| Top Side Rails Dorsey .....               | 396     | Valve Stems and Caps Wheels .....        | 191     |
| Top Side Rails Hyundai .....              | 393-394 | Valves .....                             | 11-28   |
| Top Side Rails Morgan Body .....          | 396     | Valves Hendrickson.....                  | 273-274 |
| Top Side Rails Strick.....                | 396     | VanFastic Patches .....                  | 411     |
| Top Side Rails Trailmobile .....          | 395     | Veeder-Root Hubodometers.....            | 176     |
| Torx Bits.....                            | 372     | Velvac Air Cylinders .....               | 27      |
| Tow Hooks.....                            | 586     | Vent Containers.....                     | 462     |
| Trailer Body Parts.....                   | 366-422 | Vents .....                              | 365     |
| Trailer Cable Bulk.....                   | 485     | Vista HP Brake Shoes.....                | 76      |
| Trailer Flooring Laminted Hardwood.....   | 371     | <b>W</b> alker Mufflers.....             | 615-616 |
| Trailer Kingpins.....                     | 583     | Warning Lights .....                     | 560     |
| Trailer Side Skirt .....                  | 599     | Water Pumps.....                         | 607     |
| Trailmobile Bottom Side Rails .....       | 401     | Wearband Scuff Aluminum .....            | 370     |
| Trailmobile Cleaners.....                 | 481     | Wearband Steel.....                      | 370     |
| Trailmobile Corner Caps.....              | 382     | Webb Drums .....                         | 152-153 |
| Trailmobile ICC Bumpers .....             | 421     | Wheel Attaching Parts.....               | 184-186 |
| Trailmobile K Brace .....                 | 416     | Wheel Bearings .....                     | 161-162 |
| Trailmobile Nose Posts .....              | 392     | Wheel Chocks .....                       | 603     |
| Trailmobile Nose Rails.....               | 378     | Wheel Cover .....                        | 186     |
| Trailmobile Paint.....                    | 479     | Wheel Dolly .....                        | 629     |
| Trailmobile Radius Panels.....            | 388     | Wheel Guards.....                        | 188     |
| Trailmobile Roof Bows .....               | 408     | Wheel Nut Indicators .....               | 189     |
| Trailmobile Roof Bows .....               | 408     | Wheel Nut Sockets.....                   | 186     |
| Trailmobile Side Posts.....               | 405     | Wheel Seals.....                         | 163-170 |
| Trailmobile Suspension Parts.....         | 244     | Wheel Skid Stopper .....                 | 189     |
| Trailmobile Swing Door Lock Rod Kit.....  | 350     | Wheel Spacers .....                      | 156     |
| Trailmobile Top Side Rails.....           | 395     | Wheel Spacers .....                      | 188     |
| Translucent Roof.....                     | 368     | Wheel Studs and Nuts .....               | 184-186 |
| Translucent Roof Repair Kits.....         | 369     | Wheel Tire Tools .....                   | 190     |
| Triangle Warning Kit .....                | 602     | Wheels.....                              | 181-183 |
| Triseal Seals.....                        | 170     | Wheels to Tire Size Chart .....          | 180     |
| Trucklite Compound NYK-77.....            | 553     | Whiting Rollup Door Assemblies.....      | 331     |
| Trucklite LED lighting.....               | 541-552 | Whiting Rollup Door Components .....     | 335     |
| Trucklite Pigtails Sockets and Plugs..... | 518-519 | Whiting Rollup Door Panels .....         | 334     |
| Trucklite Receptacles .....               | 500     | Whiting Rollup Door Schematics.....      | 332-333 |
| Truss Head Nylon Drive Rivet.....         | 373     | Wide Load Banners.....                   | 602     |
| TSE Spring Brakes .....                   | 59      | Winch Bars .....                         | 588     |
| Tube Bumper Chassis.....                  | 455     | Winch Straps .....                       | 587     |
| Tube Bumper SAF Holland.....              | 422     | Winch Track.....                         | 587     |
| Tube Clamps.....                          | 138     | Winches.....                             | 587     |
| Tubing Air Brake.....                     | 138     | Windshield Washer Solvent .....          | 481     |
| Tubing Flex Exhaust.....                  | 623     | Wing Brackets Landing Gear.....          | 316-318 |
| Tubing Shrink.....                        | 488     | Winter Chemicals.....                    | 477     |
| Twist Lock Ball and Spring.....           | 454     | Wiper Blades .....                       | 627-628 |
| Twist Lock Brackets .....                 | 430     | Wire Connectors .....                    | 487-488 |
| Twist Lock Handle Keepers .....           | 439-440 | Wire Primary.....                        | 486     |
| Twist Lock Handles .....                  | 431-438 | Wire Track Single.....                   | 414     |
| Twist Lock Latches .....                  | 441-446 | Wiring Harness Kit.....                  | 506     |
| Twist Lock PinLock Assemblies.....        | 451-453 | Wood Beam Socket.....                    | 590     |
| Twist Lock Pins.....                      | 426-429 | Work Lamps.....                          | 531     |
| Twist Lock Push Pins.....                 | 447-448 | <b>X</b> 30 Brake Drums .....            | 154     |
| Twist Lock Slide Pins.....                | 449-450 | <b>Z</b> erostart Products .....         | 613     |
| <b>U</b> Joints .....                     | 608-609 |  |         |
| U-bolt Kits .....                         | 210-211 |  |         |
| Undercoating.....                         | 473     |  |         |
| Unimount 16.5x7 drum listing .....        | 151     |  |         |
| Unloader Kits.....                        | 3       |  |         |

**The Part Number  
Index is at the Back  
of the Catalog.**

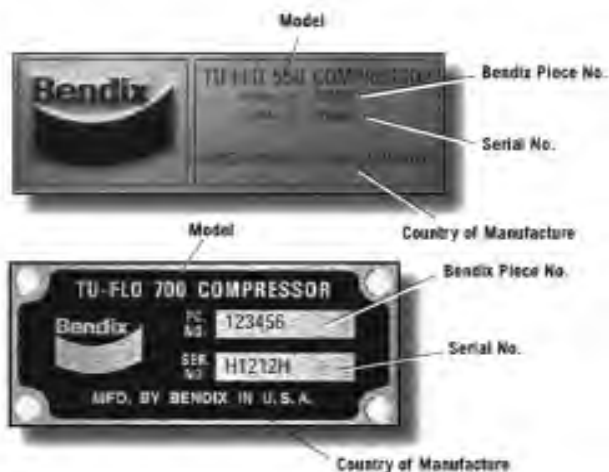


# BENDIX COMPRESSORS AND PARTS

## Bendix Compressor Nameplates

A nameplate is attached to the crankcase of all compressors. It displays the model, piece number (PC. NO.) and serial number (SER. NO.). When making reference to a particular compressor, use the piece number (PC. NO.) stamped on the nameplate.

The serial number is interpreted as follows: First is an alpha character (A through M, skipping the letter I) representing January through December. The next four characters are numbers representing the day of the month followed by the year (two digits for each). The sixth and last character represents the manufacturing plant. For example serial number H1212H indicates the product was manufactured on August 12, 2012 in the Huntington, Indiana facility.



## Bendix Compressor Engine Applications:

| Flanges | Engines   | Tu-Flo® 500  | Tu-Flo® 501                                  | Tu-Flo® 700              | Tu-Flo® 1400                   | Tu-Flo® 550          | Tu-Flo® 750              | BA-921®  | BA-922®                                      |                            |
|---------|---|--|--|--------------------------|--------------------------------|----------------------|--------------------------|--|--|----------------------------|
|         | CAT3406   | --   | 286546X                                      | 289349X                  | --                             | --                   | --                       | --   | --   |                            |
|         | CAT3406B  | --   | 103274X                                      | 103278X                  | 104583X                        | 107509X              | 107508X                  | --   | --   |                            |
|         | CAT3408   | --   | 286552X                                      | --                       | --                             | --                   | --                       | --   | --   |                            |
|         | CAT3116   | --   | --   | --                       | --                             | --                   | --                       | --   | --   |                            |
|         | CAT C11/C13                                     | --   | --   | --                       | --                             | --                   | --                       | 5014428X   | 5013058X                                     |                            |
|         | CAT C15/C18                                     | --   | --   | --                       | --                             | --                   | --                       | 5012533X   | 5013059X                                     |                            |
|         | MACK 6 CYL<br>MACK OTHER                        | 284662X<br>--  | 286544X<br>286620X                           | 289340X<br>--            | --<br>104584                   | --<br>--             | 107511X<br>107510X       | --<br>--   | --<br>--                                     |                            |
|         | CAT3126   | --   | --   | --                       | --                             | --                   | --                       | 5010806X   | --   |                            |
|         | CAT C7 C9                                       | --   | --   | --                       | --                             | --                   | --                       | 5010806X   | --   |                            |
|         | CUMMINS<br>NH, NTC, KT<br>KTA SERIES<br>ENGINES | 284718X<br>284699X   | 286618X<br>286554X                           | 289339RX                 | --                             | 107506X              | 107507X                  | --   | --   |                            |
|         |   | DETROIT<br>DIESEL<br>0° TILT<br>45° TILT<br>SERIES 60<br>0° TILT | 276962RX<br>285252X<br>--                    | 286539X<br>--<br>286619X | 289339RX<br>101158X<br>106790X | 108779X<br>--<br>--  | 107513X<br>--<br>107622X | 107512X<br>--<br>107623X                                 | --<br>--<br>--                               | --<br>--<br>--             |
|         |   | DETROIT<br>DIESEL  | --   | --                       | --                             | --                   | --                       | --   | --   | 5013695X                   |
|         |   |  | INTERNATIONAL<br>DT466<br>MT530<br>MT<br>I-6 | --<br>--<br>--<br>--     | --<br>--<br>--<br>--           | --<br>--<br>--<br>-- | --<br>--<br>--<br>--     | 5014144X<br>5004613X<br>5014488X<br>5019320X<br>5019321X | --<br>5004614X<br>5014489X<br>5019322X<br>-- | --<br>--<br>--<br>--<br>-- |





## BENDIX COMPRESSORS AND PARTS

### WHY A BENDIX REMANUFACTURED COMPRESSOR?

- All components are inspected and then replaced or remanufactured to the highest Bendix OEM manufacturing and product specifications, long the industry standard.
- All Bendix remanufactured compressors meet or exceed OE manufacturing functional, end-of-line test specifications.
- Bendix discards and replaces all wear components – o-rings, gaskets, piston rings, bearing inserts, sleeve bearings, unloader springs, seals, studs, lock washers, pipe fittings, inlet and discharge valves, inlet and discharge springs, wrist pin plugs and safety valves – with new components in all remanufactured compressors.
- During the remanufacturing process, genuine Bendix compressors are upgraded with the latest manufacturing methods, technologies and product enhancements, often making our remanufactured product better than the original.
- These upgrades are done even if the replaced compressor did not have the enhancement when new.

### Compressor Port Orientation



Tu-Flo® 550 for  
CUMMINS ISM,  
N14, M11  
**Part No. 107506X**



Tu-Flo® 550 for  
International V8  
pre-2004, T444E  
**Part No. 107514X**



Tu-Flo® 750 for  
CUMMINS ISM,  
N14, M11  
**Part No. 107507X**



Tu-Flo® 750 for CAT,  
3406, C10, C12,  
C15, C16. 2-1/2° tilt.  
**Part No. 107508X**



Tu-Flo® 550 for CAT  
3116, 3126, C7 Acert, C9 Acert  
Top Inlet unless noted, removable  
rear flange cover  
**Part No. 5011016X**



Tu-Flo® 550 for CAT,  
3406, C10, C12,  
C15, C16. 2-1/2° tilt.  
**Part No. 107509X**

Tu-Flo® 550 for CAT  
(rear end cover studs)  
3406, C10, C12, C15, C16  
**Part No. 5002984X**

BA-921® for CAT  
C15 Acert, C18 Acert  
40 tooth drive gear  
**Part No. 5012533X**



Tu-Flo® 750 for CAT  
3406, C10, C12, C15, C16  
(rear end cover studs)  
**Part No. 5002713X**



Tu-Flo® 750 for CAT  
3176, C15, C16  
**Part No. 5002983X**





**BENDIX COMPRESSORS AND PARTS**

Tu-Flo® 550 for International I-6 pre-2004 DT466, HT530

**Part No. 5004613X**

Tu-Flo® 750 for International I-6 pre-2004, HT530

**Part No. 5004614X**



NPT Ports



Tu-Flo® 550 for Detroit Diesel Series 60 non-EGR (69 tooth gear w/21 tooth spline)

**Part No. 5004188X**

Tu-Flo® 750 for Detroit Diesel 3306 Series 60 non-EGR & Series 50 (69 tooth gear w/21 tooth spline)

**Part No. 5004187X**



Tu-Flo® 750 for Mack Extended (Pre-1997)(\*Head contoured for special clearance application.)

**Part No. 5002868X**



**UNLOADER KIT:**

Kit contains parts to install 3 piece unloader plungers in Tu-Flo compressors.

**Part No. 279615N**



**UNLOADER KIT:**

BA-921 Compressor  
**Part No. K109119**

- 2 Cap Screws
- 1 Gasket
- 1 Balance Piston
- 1 Spring
- 1 O-ring Medium
- 1 Unloader piston
- 1 O-ring large
- 1 O-ring small
- 1 Molykote® Lube



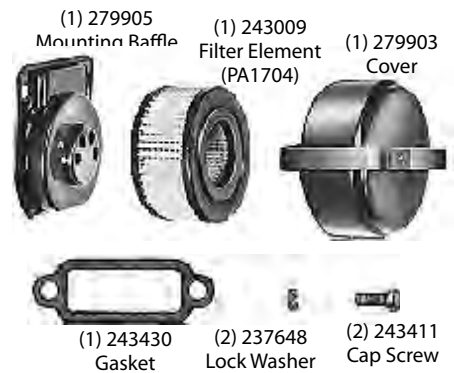
Includes Installation Instructions

**AIR STRAINER:**

ALL TF except 300 Bendix compressors

**Part No. 278500N**

Contents:----->



(Air Filter also is  
**Part No. PA1704**)

ST-4™ Safety Valve  
250 psi. (2 pc)

**Part No. 131081**



HEAD GASKET  
550 / 750 Compressors

**Part No. 5011623**



UNLOADER KIT:  
TF-550 / TF-750

Compressors

**Part No. 107515N**

- 1 Unloader Cover Gasket
- 2 Unloader Pistons
- 2 Unloader Springs
- 1 Lube Pack



Field Maintenance Kit  
TF-550

**Part No. 107516N**



**Air Compressor Discharge Hose Assembly**



**Part No. 142552**

Length = 52 inches  
Hose I.D. = 1/2 inch  
Hose O.D. = 5/8 inch

**Part No. 142572 (72 inches) (Hose Part No. 919-10)**

**Air Compressor Discharge hose fitting**  
**Part No. 142110**

Designed for use with stainless steel braided discharge hose. All brass bodies with brass sleeves and steel nuts. 5/8" OD.





## HALDEX COMPRESSORS AND PARTS

# REMANUFACTURED HALDEX COMPRESSORS

### Head Assembly

Rotate to match your inlet/outlet port needs;  
extra gasket included!

### Unloader Assembly

Thru-the-head servicing.

Quick and easy way to restore to original performance!

### Connecting Rod and Bearings

Robust design provides extended service life and  
eliminates connecting rod failures!



### Cylinder Block

Water cooled to provide maximum life and performance.

### Piston & Ring Assembly

Perfect balance of function and service life.  
Minimizes oil passing and life ending early  
failures due to piston and cylinder wear.

### Main Bearing

Ball bearings ensure trouble-free life and smooth operation.

### Part No. 3558045X

#### Holset

Cubic Feet Per Minute: 13.2

Model: Cummins SS296E Super Single Cylinder

Air Inlet: Left Air Outlet: Rear

Application/Notes:

NT Engine. Flange Mount. Engine Drive.

Water Cooled. Port orientation from rear.



### Part No. 3558072X

#### Holset

Cubic Feet Per Minute: 13.2

Model: QE296 Quiet Economy Single Cylinder

Air Inlet: Left Air Outlet: Rear Spline: 11 Tooth

Application/Notes:

Cummins L10/N14. Iron Head/Cover.

Intake Valve Retainer. Flange Mount, Engine Drive, Water

Cooled, Threaded Discharge Type.



### Part No. 4127040087X

Cubic Feet Per Minute: 13.2

Model: Volvo D-12

Air Inlet: Top Air Outlet: Side Discharge

Application/Notes:

Water Cooling, Threaded Discharge Type.



### Part No. 9111535100X

Cummins ISX - WABCO

Model: SS318

Straight Thread O-Ring = STOR

Application/Notes:

Bore Size: 85mm,

Cubic Feet per Minute: 18.7

Water Port: M18-1.5 STOR

Discharge Port: M27-2.0 STOR

Governor Port: M10-1.0 STOR



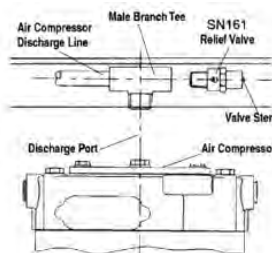
### Part No. SN161

Compressor Service Kit.

Pressure relief valve.

Discharge line relief valve for air compressors.

Prevents air line failure due to excess pressure.



### Part No. 9111535200X

Cummins L, M, N - WABCO

Model: SS318

Straight Thread O-Ring = STOR

Application/Notes:

Bore Size: 85mm,

Cubic Feet perMinute: 18.7

Water Port: 3/4" -16 STOR

Discharge Port: M27-2.0 STOR

Governor Port: M10-1.0 STOR



### Part No. 9111535400X

MACK. Extended flange with gear,  
11 tooth, thru-drive.

Model: SS318

Straight Thread O-Ring = STOR

Application/Notes:

Bore Size: 85mm,

Cubic Feet perMinute: 18.7

Water Port: 3/8" NPT

Discharge Port: 1/2" NPT

Governor Port: 1/8"-27 NPT





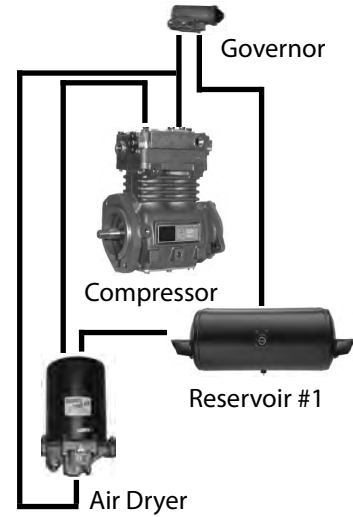
# BENDIX AIR DRYERS

## The primary duty of the air dryer

is to eliminate the moisture and dirt that would cause damage to valves and other system components. The air dryer removes these pollutants, providing dry air, free of contaminants that can cause premature failure of the air and brake system.

### BENDIX AD-9®

- More Desiccant Works Longer
- Compact Size Saves Space
- Remanufactured Exchange



| New No. | Reman Exch. No. | PurgeVolume | PurgeValve | Port Size | Heater             |
|---------|-----------------|-------------|------------|-----------|--------------------|
| 065225  | 109685X         | Standard    | Hard       | 1/2"      | 12V / 75W          |
| 065226  | 109687X         | Standard    | Hard       | 3/4"      | 12V / 75W          |
| 800243  | --              | Standard    | Hard       | 3/4"      | 24V / 100W         |
| 065650  | 109689X         | Standard    | Soft       | 1/2"      | 12V / 75W          |
| 065651  | 109690X         | Standard    | Soft       | 3/4"      | 12V / 75W          |
| 065652  | 109691X         | Extended    | Soft       | 3/4"      | 24V / 75W          |
| 065499  | --              | Standard    | DLU        | 1/2"      | 12V / 75W          |
| 065605  | --              | Standard    | DLU        | 3/4"      | 24V / 75W          |
| 065647  | --              | Standard    | Soft       | 1/2"      | 12V / 75W Drop In* |
| 065243  | 5000205X        | Extended    | Hard       | 1/2"      | 12V / 75W          |
| 065228  | 065228RX        | Extended    | Hard       | 3/4"      | 12V / 75W          |
| 800686  | --              | Extended    | Hard       | 1/2"      | 24V / 75W          |
| 065227  | 109688X         | Extended    | Hard       | 3/4"      | 24V / 75W          |



\*For use with Holset series QE Compressors only.

### NEW UNIT (Includes Brackets) Part Number 065225

Part Number 065225PG (Includes Brackets and PuraGuard® filter)



### REMAN UNITS

Part Number 109685X (Dryer Only)



Part Number 5009378X (Reman includes brackets)



Part Number 5009378PGX (PuraGuard®)

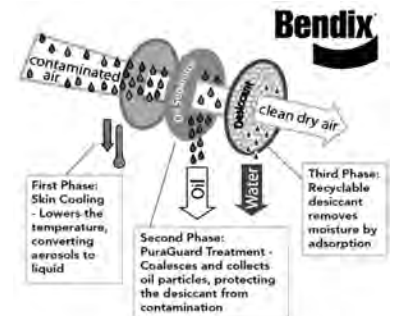
## BENDIX® PuraGuard® Oil

### Coalescing air dryer identification:

Current production air dryers with the Bendix PuraGuard have one or more of these identifiers.

-Early production may not include either of these and are only identified by part number:-

- Medallion** - located on the top of the air dryer.
- Label or imprint** location on the side of the air dryer cartridge.





**BENDIX AD-9™ AIR DRYER**

**BENDIX AD-9® Maintenance Kits and Service Parts**

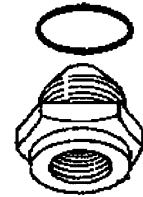


**Part No. Description**

GENUINE BENDIX

**Check Valve Kits**

- 107800N** Check Valve Kit 1/2" (Old Style End Cover Only)
- 107799** Check Valve Kit 3/4" (Old Style End Cover Only)



**Desiccant Cartridge Kits**

- K092641** Desiccant Cartridge Stabilizer Kit (Cartridge Not Included)
- 107794X** Reman Exchange IF PuraGuard®, replace with same!
- 107796** Service New
- 107796PG** Bendix® PuraGuard® Oil Coalescing Cartridge - Service New
- 107794PGX** Bendix® PuraGuard® Oil Coalescing Cartridge - Reman Exchange



**Part No. 107794X**  
Desiccant Cartridge Kit

**Purge Valve Kits**

- 5004479** Hard Seat Purge Valve Kit 12V-75W
- 5004480** Hard Seat Purge Valve Kit 24V-75W
- 5004381** Hard Seat Purge Valve Kit 24V-100W
- 5005037** Hard Seat Purge Valve Maintenance Kit
- 800405** Soft Seat Purge Valve Kit 12V-75W
- 5004338** Soft Seat Purge Valve Kit 24V-75W
- 5005893** Soft Seat Purge Valve Maintenance Kit
- 5004339** DLU Purge Valve Kit 12V-75W
- 5004340** DLU Purge Valve Kit 24V-75W
- 5004341X** Reman. Soft Seat Purge Valve Assembly Kit 12V-75W
- 5004342X** Reman. Soft Seat Purge Valve Assembly Kit 24V-75W

**Part No. 5005037**



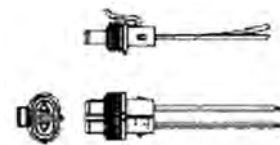
**Note:**  
Old and new purge valve assemblies are interchangeable in all AD-9 air dryers.



**Part No. 5004341X**

**Heater Kits**

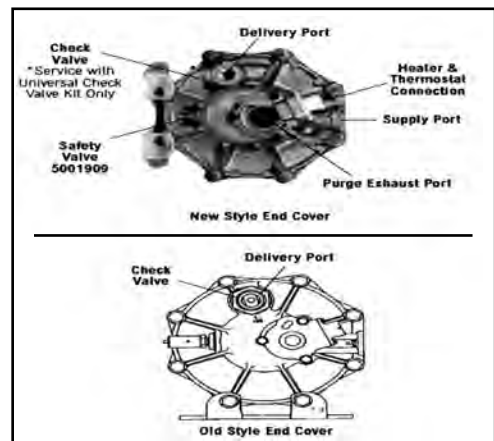
- 109578** Heater & Thermostat Kit 12V-75W
- 109579** Heater & Thermostat Kit 24V-75W
- 5002595** Heater & Thermostat Kit 24V-100W
- 109871N** Wiring Harness Electrical Splicing Kit



**Part No. 109871N**

**Miscellaneous Kits**

- 107695** Bracket Kit
- 5003838** Exhaust Cover Kit - Bendix® AD-9® Air Dryer Only
- K021189** Silencer Kit
- 113209** Universal Mounting Plate
- K041395** Universal Check Valve Kit





**BENDIX AIR DRYERS - AD-2® / AD-SP® / AD-IP®**

**AD-2 - Desiccant type**  
Reman. 12 volt  
60 watt heater  
1/2" inlet / outlet  
**Part No. 286934RX**



**BENDIX REPAIR KITS for AD-2 AIR DRYER**

- 102657N Thermostat Kit**  
Includes Thermostat, gasket and "O" ring.
- 287053N Purge Valve Replacement Kit**  
Includes purge valve, diaphragm, boot and "O" rings
- 101900X Desiccant cartridge**
- 286875RX End cover assy. -12v.**
- 286876RX End cover assy.-24v.**

**BENDIX AD-SP®**

**Maintenance Kits and Service Parts**

- 5008414** Desiccant Cartridge Kit
- 5008414PG** Bendix® PuraGuard® Oil Coalescing Cartridge Kit
- 109995** Purge Valve Kit
- 5005624** Check Valve Kit *IF PuraGuard®, replace with same!*
- 5001201** Mounting Bolt Kit
- K021189** Silencer Kit
- 109993** Turbo Cut-off Kit
- 109495** Heater & Thermostat Kit - 12V
- 109496** Heater & Thermostat Kit - 24V
- 109871N** Wire Harness & Splice Kit

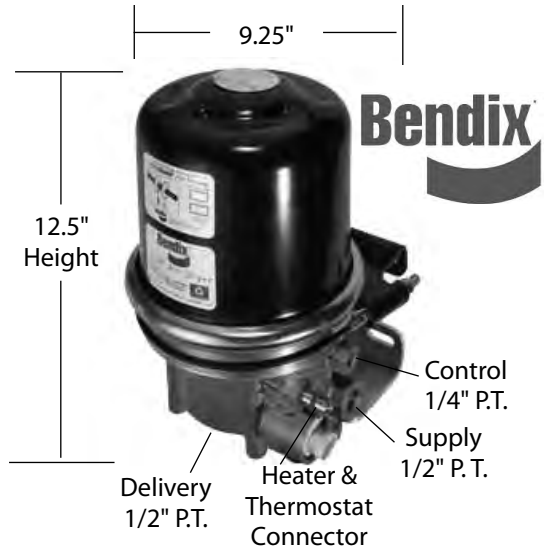


**AD-SP - NEW OUTRIGHT -12V 90W** Part No. 800887  
**AD-SP - NEW OUTRIGHT -24V 90W** Part No. 800972  
12 & 24 volt AD-SP air dryers are identified by connector color – White = 12v, Gray = 24v

**BENDIX AD-IP®**

**Maintenance Kits and Service Parts**

- 109498** Cartridge Bolt Kit
- 065624** Desiccant Cartridge Service New
- 109493X** Desiccant Cartridge Remanufactured
- 065624PG** PuraGuard® Coalescing Cartridge Kit - New
- 109493PGX** PuraGuard® Coalescing Cartridge Kit - Reman
- 109494** Delivery Check Valve Kit *IF PuraGuard®, replace with same!*
- 5011327** Exhaust Cover Kit *replace with same!*
- 5012561N** Extended Purge Kit 3/8" U-Bolt; 90in3 Reservoir
- 5008972N** Extended Purge Kit 3/8" U-Bolt; 288in3 Reservoir
- 5005309N** Extended Purge Kit 1/2" U-Bolt; 90in3 Reservoir
- 109495** 12 Volt Heater & Thermostat Kit
- 109496** 24 Volt Heater & Thermostat Kit
- 5001247** Mounting Bracket Kit
- K021189** Silencer Kit
- 109871N** Wiring Harness & Splicing Kit



| New Part No.  | Reman. Part No. | AD-IP® Volts-Watts | 12 & 24 volt AD-IP air dryers are identified by connector color – White = 12v, Gray = 24v |
|---------------|-----------------|--------------------|---|
| <b>065612</b> | <b>109477X</b>  | 12V - 90W          |   |
| <b>065613</b> | <b>109478X</b>  | 24V - 90W          |   |



**BENDIX AIR DRYERS - AD-IS®**

**BENDIX AD-IS®  
Maintenance Kits and Service Parts**

**5008414** Desiccant Cartridge Kit

**5004049** Governor and Check Valve Kit

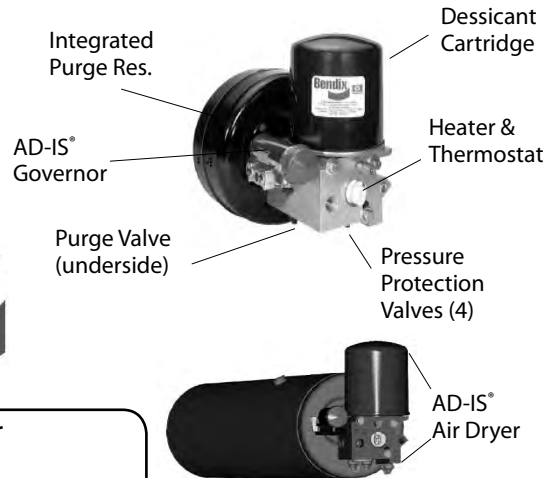
**109495** Heater and Thermostat kit (12v)

**5003547** Purge Valve Maintenance kit

**K022105** Purge Valve replacement kit

**109871N** Wiring Harness and Splice kit

(Can not sub other governors)



|   |  |
|---|--|
| Bendix AD-IS® Air Dryer Spin on Cartridge, DRM™ model. 12 volt, 103 PSI, 1/4" NPT port. <b>Part No. 800383 (New Outright)</b> | Bendix AD-IS® Air Dryer Spin on Cartridge 12 volt, 103 PSI, 1/4" NPT port. <b>Part No. 801266 (New Outright)</b><br><b>Part No. 5010696X (Reman)</b> |
|---|--|

**BENDIX® PuraGuard® Oil Coalescing cartridge part numbers**



**5008414PG**

NEW - for AD-IS®, AD-SP®, AD-RP®



**065624PG** NEW - for AD-IP®

**109493PGX** Reman - for AD-IP®



**107796PG** NEW - for AD-9®

**107794PGX** Reman - for AD-9®

**BENDIX® PuraGuard® Oil Coalescing air dryer identification:**

Current production air dryers with the Bendix PuraGuard have one or more of these identifiers. -Early production may not include either of these and are only identified by part number-:

**Medallion** - located on the top of the air dryer.

**Label or imprint** location on the side of the air dryer cartridge.





### HALDEX AIR DRYERS & REPLACEMENT PARTS

**•PURest™ Air Dryer•**

**Part No. DA34100** Outright  
• Multi-Treatment Cartridge employs 5 stages of cleaning to ensure a dry air system.  
• Universal Mounting bracket makes change overs easy.  
• Built in heater prevents freezing and damage to the dryer.  
**MTC Multi-Treatment Cartridge•**  
**Part No. DQ6050** (PURest™)



**•Air Dryer Cartridge for AD-9**  
**Part No. M107794X**

**•Air Dryer Cartridge for AD-IP**  
**Part No. M109493X**

**•Part No. M109689X** Exchange.  
(AD9 replacement.)  
Reman air dryer from Haldex with soft seat.

**•Part No. M109477X** Exchange.  
(AD-IP replacement.)  
Reman air dryer from Haldex with soft seat.

**•Part No. M955205X** Exchange.  
(Meritor 1200 series replacement.)  
Reman air dryer from Haldex.  
Lightweight, replaceable spin-on cartridge.

**Desiccant Cartridge Kit**  
For Turbo-2000 & HD-2000 Air Dryer  
**Part No. CART224**



**•Pure Air Plus™ • "Like-Nu"**

**Part No. DA33100X** Exchange.  
With spin on desiccant cartridge.  
Coalescing filter for exceptional oil and contaminant removal. 12V.  
**Desiccant Kit; Part No. DQ6026**  
Includes: Desiccant Cartridge, Coalescing Filter, Relief Valve, and Purge Shield.



### MERITOR AIR DRYERS & REPLACEMENT PARTS

**Part No. R955205 (S4324130010)**  
12V/100 Watt heater, with integral turbo cut-off valve, and mounting bracket.  
Integral regeneration valve eliminates need for purge tank.



**MERITOR WABCO**  
**SYSTEM SAVER 1200**

**Part No. R950011**  
Desiccant Cartridge 1000 and 1200 System Saver Series.

**Part No. R950068**  
Coalescing version of System Saver 1200 desiccant cartridge. Improves oil separation.

**Part No. R950069**  
Coalescing version of System Saver 1800 desiccant cartridge. Improves oil separation.



**Part No. R950013**  
**Turbo Cutoff Kit**  
Includes, Plug, retainer ring, cover, o-ring, compression spring, piston, lip seal and grease pak.



**Part No. R950015**  
**Heater Service Kit**  
Includes, 2 mounting screws, wiring connector, O-ring, Wire, heater, thermostat, plastic retainer & retainer screw.



**Part No. R955300**  
System Saver 1200P. 12 volt.

**Part No. R950014**  
**Purge Valve Kit B**  
Includes, O-Ring, Washer, Piston O-Ring, Piston Seat, Piston, Shims, Compression Spring, O-Ring, Valve head, and Retainer Ring.



**Part No. R950017**  
**Outlet Check Valve Kit**  
Includes, Check valve, O-ring, compression spring washer, retainer ring, grease pak.



### SKF AIR DRYERS & REPLACEMENT PARTS

**Part No. CR620502**  
12V/75 Watt heater. This model includes an internal valve system that provides full turbo boost protection and an internal feedback feature required for the Cummins/Holset QE and E-Type compressors.



**Desiccant Cartridge Kit**  
For Turbo-2000 & HD-2000 Air Dryers  
**Part No. CRT224**



**REPLACEMENT KITS:**  
**Part No. CR223** - Regeneration Valve Kit  
**Part No. CR228** - Turbo Valve Kit  
**Part No. CR235** - Purge Valve Kit  
**Part No. CR238** - Check Valve Kit  
**Part No. CR248** - Heater Kit, Turbo 2000 Early Model  
**Part No. CR619110** - Heater Kit, Turbo 2000 Late Model  
**Part No. CR610024** - Safety Valve, Turbo 2000







## FLEETCRAFT AIR DRYER AND PARTS

### Fleetcraft Air Dryer

With integral turbo cut-off valve, no need for purge tank. Includes mounting bracket.

**Part No. FC955205**



### Air Dryer Cartridge

**Part No. FC950011**



## GOVERNORS

### FLEETCRAFT GOVERNOR

Features ball check design with filtered ports. Can be mounted at a remote location or directly to compressor. Preset to open at 120 PSI, close at 100 PSI. Can be Adjusted. Includes: 4 pipe plugs, mounting gasket and instructions. New, outright.

**Part No. FC18530**



### Bendix D-2 Governor

Remanufactured. No Core. For mounting to the compressor or mounted remotely. Pressure range 100 - 120 PSI. 5" overall height. 1/8" NPT ports. Sold outright. **Part No. OR275491X** **Part No. OR284358X** (105-125 PSI, waterproof cover) **Part No. 275491N (NEW)**



**Part No. 236577N**  
Governor Gasket



### Bendix D-2A™ Governor

Pressure range 105 - 130 P.S.I. Non-Adjustable. With breather. Sold outright. **Part No. 800361**



### Bendix D-2A™ Governor

Pressure range 105 - 130 P.S.I. With breather. Cut in / Cut out. With gasket & plugs. Sold outright. **Part No. 5010669N**



### Haldex Piston-Type Governor

Operates in conjunction with the compressor unloading mechanism. Automatically controls the air pressure in the air supply system between the desired predetermined maximum and minimum pressures. Direct compressor or remote mount. 1/8-27 NPT ports. 105-125 P.S.I.

**Part No. KN18530 (NEW)**



### ALCOHOL EVAPORATOR

An automatic vaporizing device for keeping air lines and air reservoir free of ice. Bracket Mount. •Easy to install •Pressure protected •Holds 40 oz. of methyl alcohol. •1/2" NPTF Ports **Part No. A72420**



## PRESSURE RELIEF (SAFETY) VALVES

### ST-3 SAFETY VALVE

75PSI Pressure setting, 1/4" port. **Part No. 285850**



### Safety Valve Kit ST-4

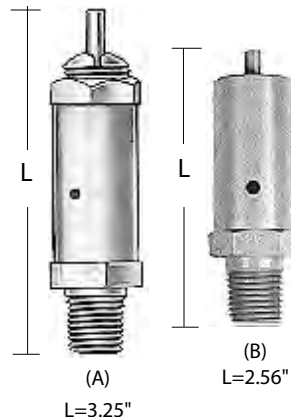
The ST-4 Safety Valve is installed in the extra compressor discharge port, if available, or the discharge line to prevent compressor damage in the event of discharge line blockage. Because of this a standard safety valve may not be used. 250 psi. **Part No. 131081** 1/2-14 NPT **Part No. 801116** 7/8-14. UNF-2A



### SAFETY VALVE

Protects against excessive pressure in the air system. Installs in the supply reservoir. Factory set at 150 PSI. Can be adjusted. Automatically closes after excess pressure is released to atmosphere. 1/4" PT.

**(A) Part No. 205105N**  
**(B) Part No. 284142N**  
**(B) Part No. 285849N (175 psi)**





### PRESSURE PROTECTION VALVES - HALDEX

#### PRESSURE PROTECTION VALVE

Used to protect air brake system from accessory failure. Nonadjustable. 1/4" NPTF inlet port, 1/4" NPTF outlet port.



| Part No. | Operating PSI |        |
|----------|---------------|--------|
|          | Open          | Closed |
| 90555396 | 70            | 65     |
| 90555398 | 95            | 90     |

#### PRESSURE PROTECTION VALVE with one way check valve

Used to protect air brake system from accessory failure. Nonadjustable. ALL Ports 1/4".



| Part No. | Operating PSI |        |
|----------|---------------|--------|
|          | Open          | Closed |
| 90555396 | 70            | 65     |

#### Part Number 90554107

#### Pressure Protection Valve

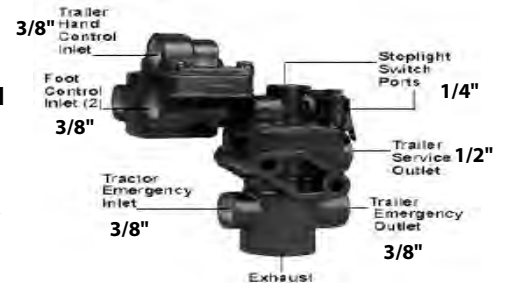
Protects the air brake system in the event of a leak or failure within the air suspension system. A replaceable filter minimizes contaminants and other debris from entering other air system accessories.

All Ports: 1/4" NPT  
Closing Pressure: 70 PSIG  
Opening Pressure: 75 PSIG minimum



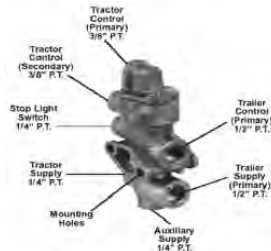
#### TRACTOR PROTECTION VALVE

Part No. KN34110X

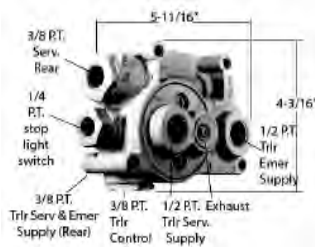


### PRESSURE PROTECTION VALVES - BENDIX

#### TP-3DC TRACTOR PROTECTION VALVE Part No. 065706



#### TP-5™ TRACTOR PROTECTION VALVE Part No. 288605N



#### LP-3™ LOW PRESSURE INDICATOR

Part No. 276599N Double, 1/4" thread, P.S.I. 30 +/- 3  
Part No. 279416N Single, 1/4" thread, P.S.I. 60 +/- 6  
Part No. 289397N Single, 1/8" thread, P.S.I. 75 +/- 6



#### PRESSURE PROTECTION VALVE Part No. 032216

3/8" inlet / 3/8" outlet, P.S.I. 55 opening  
Part No. 032218 1/2" inlet / 3/8" outlet, P.S.I. 55 opening



#### PRESSURE PROTECTION VALVE TYPE PR-4

Closes at a preset pressure. Factory set at 85 PSI. Many different applications. Can be used to protect one reservoir system from another if a reservoir system failure occurs. Nonadjustable. 1/4" PT supply and delivery ports. Part No. 286500N



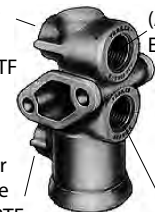
#### PRESSURE PROTECTION VALVE; TYPE PR-2

Closes at a preset pressure. Factory set at 65 PSI. Can be used to protect one reservoir system from another if a reservoir system failure occurs. 1/4" PT supply and delivery ports. Part No. 277147N



#### TP-3 TRACTOR/TRAILER PROTECTION VALVE

Part No. 279000N A 1/2" B 1/2"  
Tractor Emerg. 1/4" NPTF (A) Trailer Emerg. NPTF  
Tractor Service 3/8" NPTF (B) Trailer Service NPTF



### PRESSURE PROTECTION VALVES - SEALCO

#### PRESSURE CONTROL VALVE

Pressure setting from 0 psi to reservoir pressure. 1/4" NPTF inlet and outlet. 1/4" NPTF exhaust Part No. 5400



#### PRESSURE PROTECTION VALVE

3/8" NPTF Inlet, 3/8" NPTF Outlet 2" height Operating P.S.I. : 75 open, 70 closed Part No. 110257



#### PRESSURE PROTECTION VALVE 3/8" NPTF Inlet and Outlet 2-9/16" tall

Normal closing pressure Part No. 140270 3/8" - 60 psi 140280 3/8" - 70 psi 140380 1/4" - 70 psi 140390 1/4" - 80 psi





## CHECK VALVES

### SC-3™ SINGLE CHECK VALVES

| Part No. | A    | B    |
|----------|------|------|
| 800370   | 1/2" | 1/2" |
| 800372   | 1/2" | 1/2" |
| 800373   | 3/8" | 3/8" |
| 800375   | 1/4" | 1/4" |
| 800376   | 1/2" | 1/2" |



Part No. 800376



Part No. 800370



Part No. 800372 / 3 / 5

### DC-4

#### DOUBLE CHECK VALVE

All Ports: 3/8" NPTF  
"B" Hole: 11/32" Dia.

Part No. 278614N



### DS-2™

**DOUBLE CHECK VALVE with STOP LIGHT SWITCH**  
Part No. 286452N  
Ports 3/8"



### DC-4

#### DOUBLE CHECK VALVE

All Ports: 1/4" NPTF  
"B" Hole: 11/32" Dia.

Part No. 278615N



### DC-4

#### DOUBLE CHECK VALVE

All Ports: 3/8" NPTF

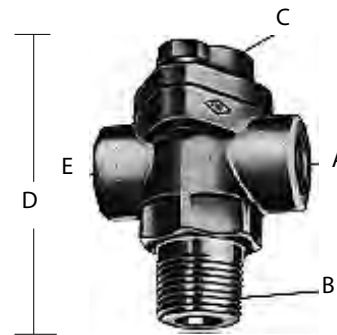
Part No. 280809N



### DC-4 DOUBLE CHECK VALVE

| Part No. | A       | B       | C    | D     | E    |
|----------|---------|---------|------|-------|------|
| 278598N  | 3/8" PT | 3/8" PT | 1/4" | 2.75" | 3/8" |

The double check valve is used when a single function or component must be controlled by either of two valves. The double check valve permits either, but not both control valves to operate the device connected to its outlet port.



### TWO WAY CHECK VALVE

(Diaphragm Type)

Mount in any position  
Use in place of ball or shuttle types

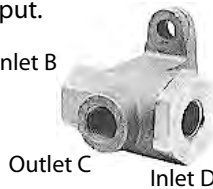
Used when two inputs must become one input.

Inlet B: 3/8"

Inlet D: 3/8"

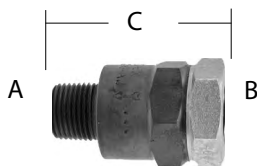
Outlet C: 3/8"

Part No. KN25060



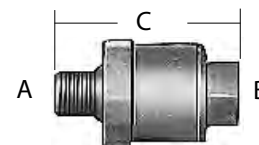
### SINGLE CHECK VALVE

| Part No. | TYPE | A       | B       | C     |
|----------|------|---------|---------|-------|
| KN23000  | A    | 1/2" PT | 1/2" PT | 2.46" |
| KN23010  | A    | 3/8" PT | 3/8" PT | 2.47" |



### ONE WAY CHECK VALVE

| Part No. | A       | B       | C        |
|----------|---------|---------|----------|
| 90554679 | 1/2" PT | 1/2" PT | 2 13/16" |



## TR-3™ INVERSION VALVES

**NOTE: With common control & supply pressure inlet opens at "A" P.S.I. descending pressure and exhaust opens at "B" P.S.I. ascending pressure.**

Part No. 280758N A= 45 psi, B= 60 psi

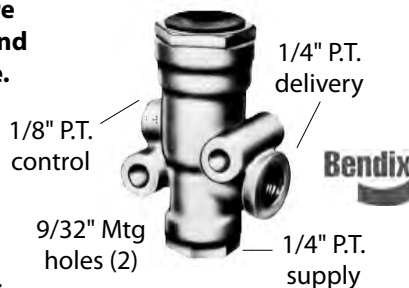
Part No. 281459N A= 25 psi, B= 40 psi

Part No. 101450N A= 25 psi, B= 40 psi

101450N is a special-duty bus application.

OR280758X is also available.

OR277340X TR-2 Inversion valve is also available.



### INVERSION VALVE

Part No. KN28030X  
Ports 1/4"





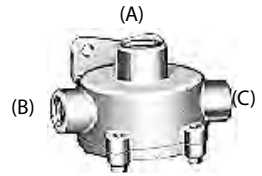
# QUICK RELEASE VALVES

| Part No. | Ports |      |
|----------|-------|------|
|          | Supp  | Del  |
| 1032005  | 3/8"  | 3/8" |
| 1032011  | 1/2"  | 3/8" |



**Aluminum Die Cast Body**  
**Supply/Delivery**  
**Differential 0 PSI**

| Part No. | Cracking Pressure | Port Size (NPTF) |      |      |
|----------|-------------------|------------------|------|------|
|          |                   | (A)              | (B)  | (C)  |
| 2000D1/2 | 0-1PSI            | 1/2"             | 3/8" | 3/8" |
| 2000D3/8 | 0-1PSI            | 3/8"             | 1/4" | 1/4" |



*Sealco*

## QUICK RELEASE VALVE

| Part No. | Inlet Delivery Differential |       |     |
|----------|-----------------------------|-------|-----|
|          | Port                        | Ports | PSI |
| KN32060  | 3/8"                        | 3/8"  | 6   |



**Haldex**

## QUICK RELEASE VALVE with 2-WAY CHECK

| Part No. | Control Delivery |       |
|----------|------------------|-------|
|          | Ports            | Ports |
| KN32041  | 1/4"             | 3/8"  |

Used in spring brake control circuits to prevent compounding on trucks and tractors. Replaces two valves with one. The diaphragm and disk are oil resistant for longer life. 1.50" mounting centers.



## QUICK RELEASE VALVES -

Used wherever a quick release function is required in the air brake system. Aids in meeting FMVSS 121 timing requirements.

**Bendix**

| Part No. | QRN-2      |                |                  |
|----------|------------|----------------|------------------|
|          | Inlet Port | Delivery Ports | Differential PSI |
| K049776  | 1/2"       | 3/8"           | 0                |
| K049777  | 3/8"       | 3/8"           | 0                |



**QRN** - Lightweight, nonmetallic. Mounting holes 11/32" diameter on 1 1/2" centers.



**Bendix**

| Part No. | Supply/Delivery |         | Differential Del. (PSI) |
|----------|-----------------|---------|-------------------------|
|          | Delivery        | Supply  |                         |
| 802745   | 3/8" PT         | 1/2" PT | 1 Max.                  |
| 802743   | 3/8" PT         | 3/8" PT | 1 Max.                  |
| 802741   | 3/8" PT         | 3/8" PT | 5-8                     |

## QR-1C

### - With Double Check Valve

A dual function valve. Serves the spring brake chambers as a QR valve; the double check valve prevents a service and emergency brake application from occurring at the same time.



| Part No. | Supply | Delivery |
|----------|--------|----------|
| 289182N  | 1/4"   | 1/4"     |
| 289714N  | 1/4"   | 3/8"     |

OR289714X also available.

**Bendix**

## QR-L INLINE QUICK RELEASE VALVE

**Part No. 800332**  
 Supply / Delivery ports are 3/8 and 1/2" Frame or bracket mount..



## QR-L INLINE QUICK RELEASE VALVE

**Part No. 800333**  
 Supply / Delivery ports are both 1/2" Direct mount, in-line.



## QR-1

**Part No. 229859N**  
 Supply Ports: 3/8"  
 Delivery Ports: 3/8"  
 Mounting holes on 1 1/2" centers.  
 Crack Pressure:0 psi.

## QR-1

**Part No. 229860N**  
 Supply Ports: 1/2"  
 Delivery Ports: 3/8"  
 Mounting holes on 1 1/2" centers.  
 Crack Pressure:0 psi.

## QR-1

**Part No. 288251N**  
 Supply Ports: 3/8"  
 Delivery Ports: 3/8"  
 Mounting holes on 1 1/2" centers.  
 Crack Pressure:0 psi.  
 Has 3/8" exhaust port.



These also available as Outright Reman. (OR229859X, OR229860X)-No Core. OR229505X and OR229813X also available.

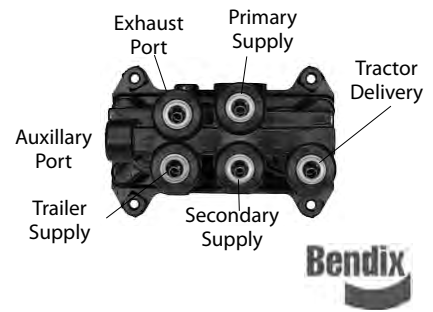
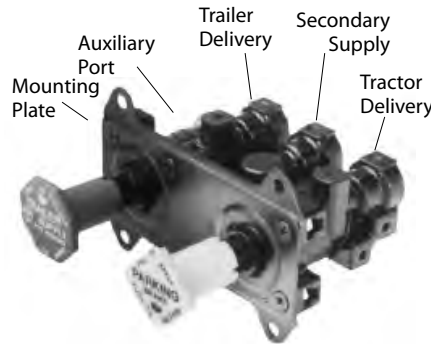
**Bendix**



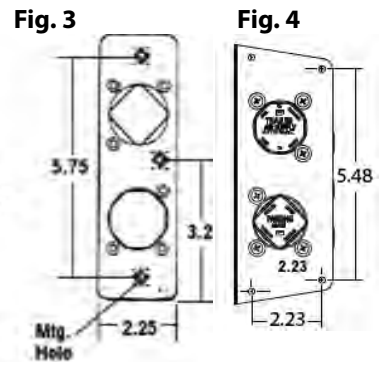
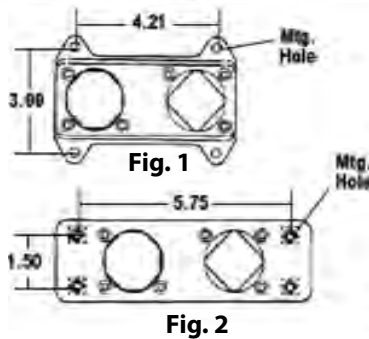
## CONTROL VALVE MODULES

### MV-3 CONTROL MODULE

An integrated control assembly for control panel mounting in tractor. It provides all the federal legal requirements for trailer air supply and parking brake control and permits the tractor parking brakes to be applied while air is supplied to the trailer. Six 1/4" ports. Nonmetallic. Different mounting separates styles.



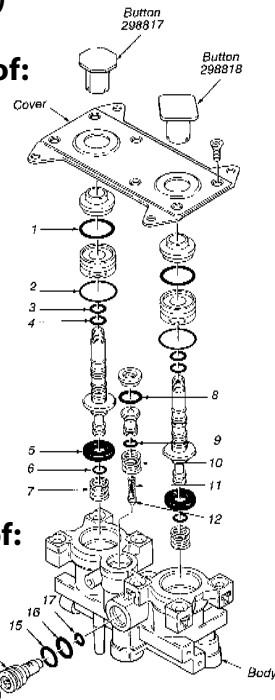
- Part No. 800257** - Fig. 1, .27 Push in fittings.
- Part No. 800259** - Fig. 3, 1/4-20 Push in fittings.
- Part No. 800516** - Fig. 1, .27
- Part No. 800517** - Fig. 2
- Part No. 800518** - Fig.1, 1/8" Aux. Port.
- Part No. 800519** - Fig. 1, 1/8" Exh. Port.
- Part No. 800521** - Fig. 3, 1/4-20.
- Part No. 800523** - Fig. 1, #10-24
- Part No. 800573** - Fig. 1, 1/4-20.
- Part No. 800622** - Fig. 1 M6x1 6H Push in fittings.
- Part No. 800631** - Fig. 4 .20 Push in fittings.



### MV-3 MODULE (OLD STYLE) MAINTENANCE KITS

**Part No. 107216 - Consists of:**

| KEY |     |                 |
|-----|-----|-----------------|
| No. | QTY | DESCRIPTION     |
| 1   | 2   | O-RING          |
| 2   | 2   | O-RING          |
| 3   | 2   | O-RING          |
| 4   | 2   | O-RING          |
| 5   | 2   | EXHAUST SEAL    |
| 6   | 2   | O-RING          |
| 7   | 2   | PLUNGER SPRING  |
| 8   | 1   | O-RING          |
| 9   | 1   | O-RING          |
| 10  | 1   | OVERRIDE SPRING |
| 11  | 1   | SPRING          |
| 12  | 1   | CHECK VALVE     |



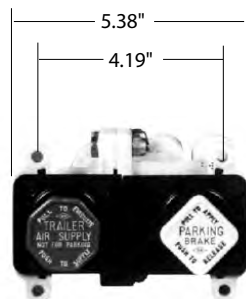
**Part No. 107217 - Consists of:**

| No. | QTY. | DESCRIPTION    |
|-----|------|----------------|
| 13  | 1    | RETAINING RING |
| 14  | 1    | SHUTTLE VALVE  |
| 15  | 1    | O-RING         |
| 16  | 1    | O-RING         |
| 17  | 1    | O-RING         |

### MV-2 CONTROL MODULE

An integrated control assembly for control panel mounting in tractor. Permits the tractor parking brakes to be applied while air is supplied to the trailer. Six 1/4" ports. Nonmetallic.

**Part No. K095875**



### MV-3 MODULE MAINTENANCE KIT Part No. 5002741



### PP-DC CONTROL VALVES

- Part No. 065661**  
Mounting Hole 1/4"-20 THD.  
Port Type - Push to connect with 3/8" tubing.
- Part No. 800034**  
Mounting Hole .27 Dia.  
Port Type - NPT with 1/4" tubing.
- Part No. 800142**  
Mounting Hole 1/4"-20 THD.  
Port Type - NPT with 1/4" tubing.



**BUTTON COVER - FOR MV-3 / PP-DC Part No. 801526 (Cover Only)**



### MANIFOLD DASH VALVE

- Engineering Grade Composite (EGC) - One Piece Housing.
- Ports have molded identification. Completely serviceable.
- 2 Spools. All ports 1/4" NPTF. Red and Yellow knobs included.
- Part No. KN20615**
- Part No. KN20607 (3/8" ports)**





## PUSH PULL VALVES

### PUSH PULL CONTROL VALVE

#### PP-5 (w/pilot air release)

A pressure sensitive on-off control commonly used with vehicle torque converter system, engine speed control, and some parking brake systems.

Automatic release pressure 40 PSI.  
1/8" supply, 1/8" delivery and exhaust, all NPTF.

**Part No. 281946N**



### PUSH PULL CONTROL VALVE PP-1

A pressure sensitive on-off control usually used to control parking and emergency brakes. 1/8" supply, 1/4" delivery and exhaust, all NPTF.

**Part No. Auto Pressure Release**

**276566N** 20 PSI

**287417X** 30 PSI

**284726N** 35 PSI

**276567N** 40 PSI

Also available as OR276566X / 567X

**239357N** 7/8 hex nut



### Push-Pull Control Valve Trailer Supply Valve PP-7

Automatic release pressure 40 PSI. 1/4" del.

1/8" control and supply.

**Part No. OR288239X**

**Part No. 106113 (Basic)**

**Part No. OR288241X (1/4" exhaust)**



### PUSH-PULL STYLE VALVE

Controls parking /emergency brakes.

Pop pressure: 35±10 PSI.

7/8" mounting hole required.

Knob included.

Made of Engineering

Grade Composite.

All ports 1/8" NPTF.

**Part No.**

**KN20021**



### PUSH-PULL VALVE

#### 2-way

Bulkhead mount, fits 5/8" dashboard hole.

All ports 1/4".

Made of aluminum.

**Part No. A83034**



### PUSH-PULL STYLE VALVE

Controls tractor protection.

Made of Engineering

Grade Composite.

Exhaust / Delivery ports:

1/4"-18 NPTF.

Supply / Control ports: Supply

1/8"-27 NPTF.

Pop Pressure: 35 PSI.

7/8" mounting hole required.

**Part No. KN20025**



### PUSH-PULL STYLE VALVE

Panel mount.

Made of EGC plastic.

All ports 1/4" NPTF.

Pop pressure

25-35 P.S.I.

**Part No. KN20031**



### HAND CONTROL VALVE

Pull-push with Automatic Shut-Off.

Shut-off 30±5 PSI. 1/4" outlet

and inlet, 1/8" exh.

Includes knob/nameplate.

**Part No. 99600B**



### HAND CONTROL VALVE Park Brake release.

Manual Pull-push with

2-hole mounting.

All 1/4" NPT port sizes

Used outside on dollies

and trailers.

Includes knob/nameplate.

**Part No. 17600B**



# Sealco

## KNOBS FOR PUSH-PULL VALVES



**Pin type.**  
RCCC red.  
Pin included.  
**Part No.**  
**KN20900**



**Pin type.**  
RCCC yellow.  
Pin included.  
**Part No.**  
**KN20901**



**Pin type.**  
RCCC blue.  
Pin included.  
**Part No.**  
**KN20902**



**Pin type.**  
RCCC yellow.  
Pin included.  
**Part No.**  
**KN20903**



**Threaded type.**  
RCCC yellow.  
Pin included.  
**Part No.**  
**12509**



**Threaded type.**  
RCCC red.  
Pin included.  
**Part No.**  
**12501**

**Red Threaded Knob Yellow Threaded Knob**

**Part No.**  
**298817N**



**Part No.**  
**298818N**



All knobs made of Engineering Grade Composite.  
Threaded knobs have 1/4-20 threads.



**LEVER STYLE VALVES / TRAILER BRAKE CONTROL VALVES**

**TW-3 LEVER TYPE CONTROL VALVE**

Used in parking and emergency brake systems. 1/4" supply and delivery ports.  
**Part No. OR283040X**



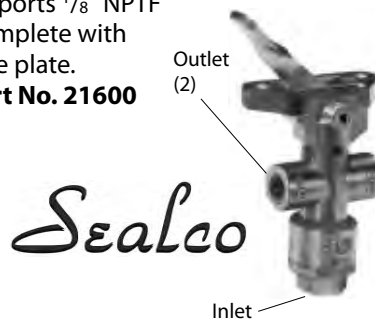
**TW-1 CONTROL VALVE**

Two position steel valve with chrome handle. All ports 1/8" NPTF. Dial plate not included.  
**Part No. 229635N**  
(also as **Outright Reman-no core**)



**LEVER CONTROL VALVE**

All ports 1/8" NPTF Complete with face plate.  
**Part No. 21600**



**LEVER STYLE VALVES / TRAILER BRAKE CONTROL VALVES - HALDEX**

**TRAILER BRAKE CONTROL VALVE**

External steering column mount Handle applies 70° maximum. Chrome handle. All ports 1/4" NPT  
**Holding Type: Part No. KN20561**



**TRAILER BRAKE CONTROL VALVE**

In column mount. Made of Engineering Grade Composite. Handle applies 50° maximum. Handle and knob not supplied. All 1/4" ports.  
**Holding Type: Part No. KN20541**



**DOUBLE FLIPPER STYLE VALVES**

Panel mount, directional air control valve. May be used for control of push-pull air cylinders or various other air operated devices. Supply ports 1/4" NPT Delivery ports 1/8" NPT

**PART No. APPLY/RELEASE POSITIONS**  
**KN20080** 3 position, manual release.  
**KN20090** 3 position, automatic release



**FLIPPER STYLE VALVE**

Panel mount. On-off nonautomatic two position valve. Made of Engineering Grade Composite. All Ports 1/8". Mounting holes on 1.5" centers.  
**Part No. KN20001**



**TRAILER EMERGENCY VALVE / SV-1 SYNCHRONIZING VALVES**

**TEV Valve Provides Spring Brake Priority**

-Retains the ability of the driver to repeatedly apply and release the Parking/Emergency Brakes even with a damaged tank.  
**Part No. 51301**



**STEV Valve Provides Spring Brake Priority**

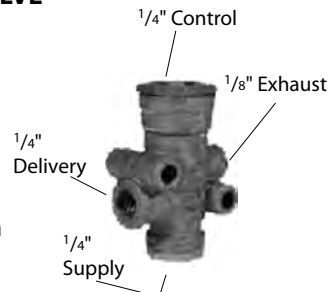
-Assures that the trailer parking brakes will not release before there is sufficient air pressure in the reservoir to apply service brakes.  
**Part No. 51321**



**SV-1 SYNCHRONIZING VALVE**

A pneumatic control valve. Controls air from remote air supply other than control air supply. All threads NPTF.

| Exhaust Part No. | Open Inlet PSI | Open PSI |
|------------------|----------------|----------|
| 278825N          | 42             | 28       |
| 282472N          | 21             | 11       |



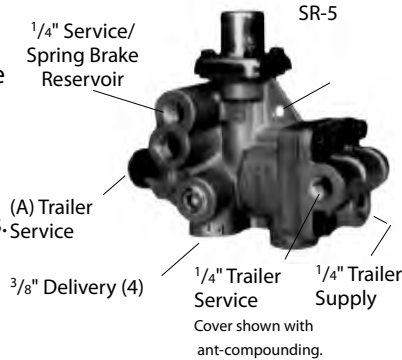


### SPRING BRAKE CONTROL VALVES - BENDIX

#### SR-5 TRAILER SPRING BRAKE VALVE

Die-cast aluminum, reservoir mounted valve that controls up to four spring brake actuators during parking or emergency applications. All threads NPTF.

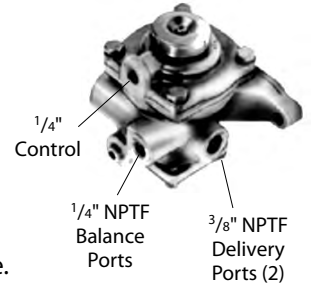
**Anti-Compounding:**  
**Part No. 065437**  
**Part No. OR109615X**  
**Part No. OR109617X**  
**Part No. K033221**



#### R-7 MODULATING VALVE

Usually found on vehicles with dual air brake systems, the R-7 modulates the spring brakes thru the application of the foot brake valve in the event of loss of rear axle service brake pressure. Spring brake pressure is limited to 0-95PSI by the R-7.

**Part No. 103081N**  
**Part No. OR103081X**



#### SR-1™ SPRING BRAKE VALVE

**Part No. OR286364X**  
**Part No. 286364N**

1/4" PT ports.  
55 psi reservoir trip pressure.  
**Part No. OR288063X**  
1/4" PT ports.  
30 psi reservoir trip pressure.



#### SR-2™ TRAILER SPRING BRAKE VALVE

**Part No. OR103061X**  
1/2" PT Male connector port.  
With anti-compounding.  
**Part No. OR287376X**  
3/4" PT Male connector port.  
Without anti-compounding.

Cover shown with ant-compounding.



#### SR-4™ SPRING BRAKE TRAILER VALVE

**Part No. OR101112X**  
3/4"  
**Part No. OR101622X**  
1/2"



#### SR-7™ SPRING BRAKE MODULATING VALVE

**Part No. K021558**  
Uses push to connect fittings.



#### Bendix Coreless® Valves - Outright Reman Program.

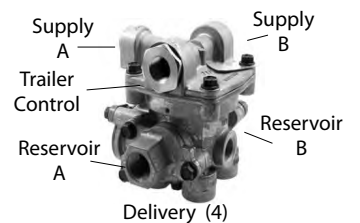
The Coreless® valves program gives you virtually 100% coverage of the Bendix remanufactured valve line. Forget about carrying remanufactured valves with core obligation as part of your regular inventory. With expanded product coverage, it has never been easier to make the jump to Coreless.

### SPRING BRAKE CONTROL VALVES - HALDEX

#### MULTIFUNCTION RT-4 SPRING BRAKE VALVES

Used on trailers to control both parking and emergency brake functions. Controls reservoir charging. Applies emergency (parking) brakes upon loss of trailer supply (emergency) line pressure.

| PART No.       | TRAILER SUPPLY |      | TRAILER CONTROL | RESERVOIR |      | DEL'Y    | PPV CLOSING PRESSURE |
|----------------|----------------|------|-----------------|-----------|------|----------|----------------------|
|                | A              | B    |                 | A         | B    |          |                      |
| <b>KN26010</b> | 3/8"           | X    | 3/8"            | 1/2"      | 3/8" | (4) 3/8" | 70 PSI               |
| <b>KN26020</b> | X              | 3/8" | 3/8"            | 1/2"      | 3/8" | (4) 3/8" | 70 PSI               |







**SPRING BRAKE CONTROL VALVES - SEALCO**

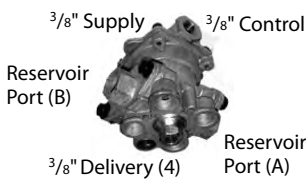
**SPRING BRAKE CONTROL VALVES**

Protected Reservoir System  
Four delivery ports.  
Cover ports in line with reservoirs.

**Part No. Port (A) Port (B)**

**110171** 1/2" NPT 3/8" NPT

**110191** 3/8" NPT 1/2" NPT



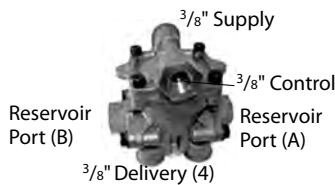
**SPRING BRAKE CONTROL VALVES**

Protected Reservoir System  
Four delivery ports.  
Cover ports opposite of reservoirs.

**Part No. Port (A) Port (B)**

**110170** 1/2" NPT 1/2" NPT

**110315** 1/2" NPT 3/8" NPT



**SPRING BRAKE EXHAUST Part No. 3800**

Tee mounted pressure and quick release valve. on spring brake applications. Prevents unwanted application of spring brakes due to drop in supply pressure. 1/4" NPT ports.



**Part No. 7800**

Tee Mounted. Same application as 3800.



**TRAILER CONTROL LINE VALVE**

**Part No. 110580**

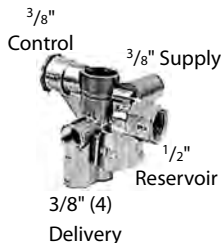
Provides a balanced control line signal for uniform braking of multi-axle combination vehicles. 3/8" control port, 1/2" res. port, 3/8" del (2) Includes bracket. Nom. crack pressure 0.0 psi



**SPRING BRAKE CONTROL VALVE Service Reservoir Priority System**

Complies with all changes to FMVSS121. Designed for use with a single reservoir on a typical single or tandem axle trailer application.

**Part No. 110700**



**Part No. 110515**  
Plug kit for 110500 and 110700

**SPRING BRAKE CONTROL VALVE Spring Brake Priority System**

Designed for use with a single reservoir on a typical single or tandem axle trailer application.

**Part No. 110500**

(110500 pictured)

**Part No. 110501**

Repair kit for 110500

**Part No. 110800**

Has relay feature, fills from the tank

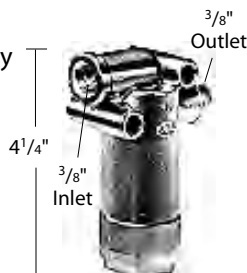


**LINE FILTER**

Used in trailer supply line ahead of spring brake control valve or relay emergency valve.

**Part No. 2550**

Sealco does not recommend use in trailer control line.



**SPRING BRAKE EMERGENCY CONTROL VALVE**

**Part No. 110376**

Used with part no. 110257.

Used on trailer turnable axles, converter dollies and trailers exempt from spring brakes. 3/8" NPT ports.



**SPRING BRAKE CONTROL VALVE. Protected Reservoir System.**

Rotate Cover - None.

**Part No. 110315**





# RELAY VALVES - BENDIX

## R-12™ RELAY VALVE

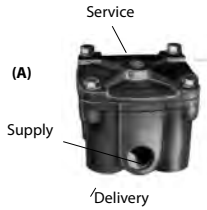
Piston operated, with 4 delivery ports for service or parking brakes. Crack pressure: 4 PSI unless noted.

### (A) Part No. 065104

- 3/8" Vertical Delivery Ports
- 1/2" Supply Ports
- 1/4" Service Port

### Part No. 102626N

- 1/2" Vertical Delivery Ports
- 1/2" Supply Ports
- 1/4" Service Port



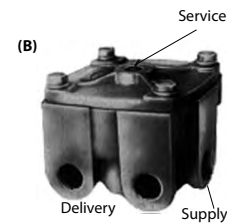
### (B) Part No. 103009N

- 1/2" Horizontal Delivery Ports
- 3/4" Supply Ports
- 1/4" Service Port

### Part No. 065125

- 1/2" Horizontal Delivery Ports
- 1/2" Supply Ports
- 1/4" Service Port

Crack pressure: 5.5 PSI

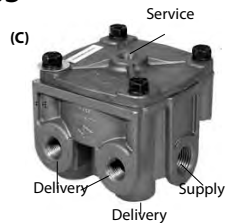


### (C) Part No. 065206 / 065303

#### R-12™ Relay Valve Vert. (2) & Horizontal Delivery Ports

- 3/8" Delivery Ports
- 1/2" Supply Ports
- 1/4" Service Port

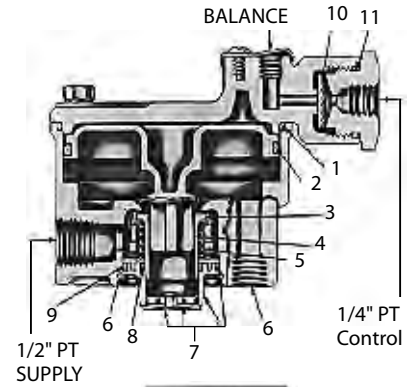
065206 Crack pressure: 5.5 PSI  
065303 Crack pressure: 4.0 PSI



## Part No. 102802N Maintenance Kit for R-12 & R-14 Valves.

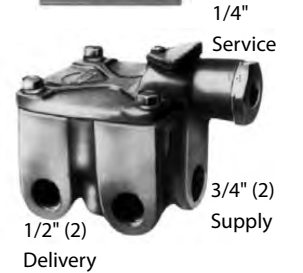
### KIT INCLUDES:

| Key | Qty. | Description           |
|-----|------|-----------------------|
| 1   | 1    | O-Ring                |
| 2   | 1    | O-Ring                |
| 3   | 1    | Valve Retainer        |
| 4   | 1    | Inlet & Exhaust Valve |
| 5   | 1    | Valve Spring          |
| 6   | 1    | Retaining Ring        |
| 7   | 1    | Exhaust Cover         |
| 8   | 1    | O-Ring                |
| 9   | 1    | O-Ring                |
| 10  | 1    | Diaphragm             |
| 11  | 1    | O-Ring                |



## R-14 RELAY VALVE

Anti-compounding feature permits control of spring brakes as well as service brakes. Has 4 delivery ports. Crack Pressure: 4 PSI



### Horizontal Delivery Ports

#### Part No. 103010N

#### Part No. 104574 (with 1/2" supply, & bracket)

### Vertical Delivery Ports

#### Part No. 103028N



## R-12DC™ RELAY VALVE with double check valve

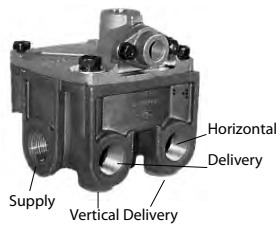
2 Horizontal and 2 Vertical Delivery ports. Crack pressure: 4 PSI.

### Part No. 800481

- 3/8" Vertical Delivery (2)
- 1/2" Supply (2)
- 1/2" Horizontal Delivery (2)

### Part No. 800477

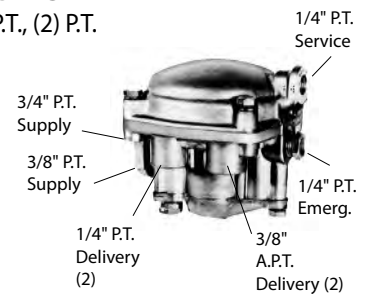
4 Vertical Delivery ports 1/2" Crack pressure: 4 PSI. Includes bracket.



## RE-6™ RELAY EMERGENCY VALVE

4 delivery ports (2) A.P.T., (2) P.T.

### Part No. 281865N



## R-12P™ Pilot Relay Valve

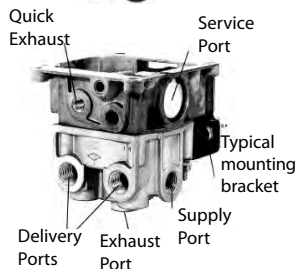
### Part No. 065476

- Universal bracket included.
- 1/2" supply(2), 3/8" delivery(4)



## AR-1™ Antilock Relay Valve Part No. K065765

•The AR-1™ antilock relay valve is a specialized brake relay valve. It is essentially an R-14™ relay valve with a special cover that permits direct attachment of an antilock controller.



## BP-R1™ Bobtail Brake Proportioning Relay Valve

- Maintenance Kit 106392
- Universal Mounting Bracket 296010 furnished with valve
- Outright Reman - no core.



| PART No. | SERVICE | SUPPLY | DELIVERY | AUX RES. | CON-TROL | CRACK PRESSURE |
|----------|---------|--------|----------|----------|----------|----------------|
| OR65145X | 1/4"    | 1/2"   | 3/8"     | (1)      | 1/8"     | 4              |
| OR65146X | 1/4"    | 1/2"   | 3/8"     | (1)      | 1/8"     | 5.5            |



**RELAY VALVES - BENDIX CORELESS VALVES - OUTRIGHT REMAN**

**Bendix Coreless® Valves - Outright Reman Program.**

The Coreless® valves program gives you virtually 100% coverage of the Bendix remanufactured valve line. Forget about carrying remanufactured valves with core obligation as part of your regular inventory. With expanded product coverage, it has never been easier to make the jump to Coreless. (Available in other valves as well besides Relay Valves!)



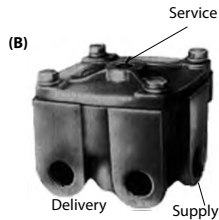
**R-12™ RELAY VALVE**

Piston operated, with 4 delivery ports for service or parking brakes.  
Crack pressure: 4 PSI unless noted.

- (A) **Part No. OR102626X**  
1/2" Vertical Delivery Ports  
1/2" Supply Ports  
1/4" Service Port



- (B) **Part No. OR103009X**  
1/2" Horizontal Delivery Ports  
3/4" Supply Ports  
1/4" Service Port



**R-6™ RELAY VALVE**

4 delivery ports 3/8" Supply ports 3/8"  
**Part No. OR279180X**



**R-6™ RELAY VALVE**

270 degrees port service angle  
4 delivery ports 3/8"  
Supply ports 3/8"  
4 Hole mounting flange  
**Part No. OR283940X**

**R-8™ RELAY VALVE**

90 degrees port service angle  
1/4" P.T. Service Port  
1/8" P.T. Balance Port  
Includes exhaust cover  
**Part No. OR286370X**



**R-8P™ RELAY VALVE**

2 Supply ports 3/4"  
3/8" P.T. Service Port  
2 1/2" P.T. Delivery Ports (1 1/4")  
**Part No. OR287114X**



**R-12P™ PILOT RELAY VALVE**

4 delivery ports 3/8"  
2 Supply ports 1/2"  
Control Port 1/4"  
**Part No. OR109264X**



**R-14 RELAY VALVE**

Anti-compounding feature permits control of spring brakes as well as service brakes.  
Has 4 delivery ports.  
Crack Pressure: 4 PSI

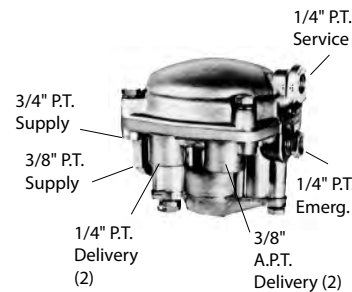
**Horizontal Delivery Ports  
Part No. OR103010X**

**Vertical Delivery Ports  
Supply is 1/2"  
Part No. OR103028X**



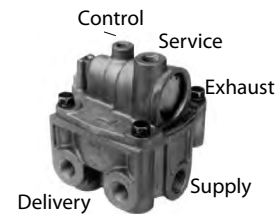
**RE-6™ RELAY EMERGENCY VALVE**

4 delivery ports (2) A.P.T., (2) P.T.  
**Part No. OR281865X**



**BP-R1™ Bobtail Brake Proportioning Relay Valve**

- Maintenance Kit 106392
- Universal Mounting Bracket 296010 furnished with valve
- Outright Reman - no core.



| PART NO.        | SERVICE | SUPPLY | DELIVERY | AUX RES. | CON-TROL | CRACK PRESSURE |
|-----------------|---------|--------|----------|----------|----------|----------------|
| <b>OR65145X</b> | 1/4"    | 1/2"   | 3/8"     | (1)      | 1/8"     | 4              |
| <b>OR65146X</b> | 1/4"    | 1/2"   | 3/8"     | (1)      | 1/8"     | 5.5            |

**RELAY VALVES - SEALCO****2 PORT SERVICE RELAY**

Used primarily for single axle trailer service brakes, or axle by axle trailer brake designs.

Nipple mounted.

Crack Pressure 4 PSI.

Control Port:  $\frac{3}{8}$ " NPTF

Reservoir Port:  $\frac{1}{2}$ " NPTF

Delivery Ports:  $\frac{3}{8}$ " NPTF

**Part No. 110410**

**2 PORT SERVICE RELAY VALVE LOV-2**

Control Port:  $\frac{3}{8}$ " NPTF

Reservoir Port:  $\frac{1}{2}$ " NPTF

Delivery Ports (2):  $\frac{3}{8}$ " NPTF

Cracking Pressure 1.5 PSI

**Part No. 110360**

*Sealco***2 PORT DELIVERY**

Used primarily for single axle trailer service brakes, or axle by axle trailer brake designs.

Nipple mounted.

Crack Pressure 4 PSI.

Control Port:  $\frac{3}{8}$ " NPTF

Reservoir Port:  $\frac{1}{2}$ " NPTF

Delivery Ports:  $\frac{3}{8}$ " NPTF

**Part No. 110197**

**4 PORT DELIVERY**

Crack Pressure 4.5 PSI.

Comes with "ratio feature."

Aux. Supply Port:  $\frac{3}{8}$ " NPT

Control Port:  $\frac{3}{8}$ " NPT

Reservoir Port:  $\frac{3}{4}$ " NPT

Delivery Ports:  $\frac{3}{8}$ " NPT (4)

**Part No. 110139**

**4 PORT SERVICE RELAY VALVE LOV**

Control Port:  $\frac{3}{8}$ " NPTF

Reservoir Port:  $\frac{3}{4}$ " NPTF

Delivery Ports (4):  $\frac{3}{8}$ " NPTF

Cracking Pressure 1.5 PSI

**Part No. 110380**

**Part No. 110380X**

*Sealco***4 PORT SERVICE RELAY VALVE**

Used primarily for tandem axle trailer service brakes with four brake chambers.

Nipple mounted.

Crack Pressure 4 PSI.

Control Port:  $\frac{3}{8}$ " NPTF

Reservoir Port:  $\frac{3}{4}$ " NPTF

Delivery Ports:  $\frac{3}{8}$ " NPTF

**Part No. 110415**

**RELAY EMERGENCY VALVE**

4 Delivery Ports

The Original "Quick Fix"

Nipple mounted.

Crack Pressure 1.5 PSI.

Control Port:  $\frac{1}{4}$ " NPTF

Reservoir Port:  $\frac{1}{2}$ " NPTF

Emerg.-Supply:  $\frac{1}{4}$ " NPTF

Delivery Ports:  $\frac{1}{4}$ " NPTF

**Part No. A1000S**

**Replacement Cartridge**

**Part No. 1000-5A**



**Mounting Nipple for A1000S**  
**Part No. 616**

**CHARGING RELAY 4 DELIVERY PORTS EMERGENCY VALVE**

Control Port:  $\frac{3}{8}$ " NPTF

Emerg.-Supply Port:  $\frac{3}{8}$ " NPTF

Reservoir Port:  $\frac{3}{4}$ " NPTF

Delivery Ports:  $\frac{3}{8}$ " NPTF

Cracking Pressure 4.5 PSI

**Part No. 110470**

**Part No. 110475**

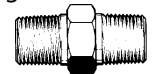
Same as 110470 with  $\frac{3}{8}$ " supply out.

**HEAVY DUTY MOUNTING NIPPLES**

**Straight nipple**

$\frac{1}{2}$ " NPT,  $1\frac{5}{8}$ " long

**Part No. 6002S**



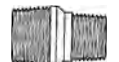
$\frac{3}{4}$ " NPT,  $1\frac{5}{8}$ " long

**Part No. 6006**

**Reducing Nipple**

$\frac{3}{4}$ " to  $\frac{1}{2}$ " NPT,  $1\frac{5}{8}$ " long.

**Part No. 6003**

**NON-CHARGING RELAY EMERGENCY VALVE**

Commonly used on converter dollies, turntable axles, and air lift axles with service brake chambers.



Serv-Control Port (2):  $\frac{3}{8}$ " NPTF

Emerg.-Supply Port:  $\frac{3}{8}$ " NPTF

Reservoir Port:  $\frac{3}{4}$ " NPTF

Supply-Out Port:  $\frac{3}{8}$ " NPTF

Delivery Ports (4):  $\frac{3}{8}$ " NPTF

Cracking Pressure 4.5 PSI

**Part NO. 110338X**

**CHARGING EMERGENCY 4 PORT RELAY VALVE**

Crack Pressure 4.5 PSI.

Comes with "ratio feature."

Supply Port:  $\frac{1}{4}$ " NPT

Control Port:  $\frac{1}{4}$ " NPT

Reservoir Port:  $\frac{3}{4}$ " NPT

Delivery Ports:  $\frac{3}{8}$ " NPT (4)

**Part No. 110200**

**Part No. 110200X**

Crack Pressure 4.5 PSI.

Comes with "ratio feature."

Supply Port:  $\frac{3}{8}$ " NPT

Control Port:  $\frac{3}{8}$ " NPT

Reservoir Port:  $\frac{3}{4}$ " NPT

Delivery Ports:  $\frac{3}{8}$ " NPT (4)

**Part No. 110205**

**CONTROL LINE RELAY EMERGENCY VALVE for Non-ABS Applications.**

Commonly used on converter dollies, and turntable axles on pull, transfer and B-train type trailers.

Control Port:  $\frac{3}{8}$ " NPT

Reservoir Port:  $\frac{1}{2}$ " NPT

Dolly Port:  $\frac{3}{8}$ " NPT

Delivery Ports (4):  $\frac{3}{8}$ " NPT

Nominal Crack Pressure 0.0 PSI

**Part NO. 110570 / 110570X**

**includes bracket as shown.**





**RELAY VALVES - HALDEX**



**EMERGENCY RELAY VALVE**

4 port. Suitable for pre-121 trailers, converter dollies, or exempt trailers.  
Crack pressure 3.0 PSI

ALL available in REMAN also.

(1)=Plugged

| PART No.        | SERVICE | EMERG. | DELIVERY | AUX  | RES. |
|-----------------|---------|--------|----------|------|------|
|                 | INLET   | INLET  |          | RES. |      |
| <b>KN30200X</b> | 3/8"    | 3/8"   | 3/8"     | (1)  | 1/2" |
| <b>KN30300</b>  | 1/4"    | 1/4"   | 1/4"     | (1)  | 3/4" |
| <b>KN30400</b>  | 1/4"    | 1/4"   | 3/8"     | (1)  | 3/4" |

**RELAY VALVES**

2 & 4 Horizontal Delivery Ports.  
A multipurpose, low differential, high capacity, straight relay. Meets FMVSS-121 timing requirements. Cover can be rotated without affecting performance or warranty.

3/8" delivery ports.

1/2" reservoir ports

3/8" control port

**2 Delivery Ports** 4.6 PSI crack pressure

**Part No. KN28060 / KN28060X**

**4 Delivery Ports**

7 PSI Crack Pressure

**Part No. KN28080**

Remanufactured Relay Valve

- Two Port - Single Control

Line Used to apply and release

service brakes on tractor or

trailer.

**Part No. KN28131X**

**Part No. KN28140X**

**Supply (2):** 1/2"

**Delivery (2):** 1/2"

**Control (1):** 1/4"

**Crack Pressure:** 4.0± 1 PSI



Remanufactured Fast Air and Balancing (FAB) Relay Valve

Speedup or fast air relay. Used on

converter dollies and long wheel base

towing trailers to speed the tractor control

signal to the rear trailer(s) service brakes.

Cover may be rotated without affecting

performance or warranty. Two mounting

holes: .34 diameter on .50" centers.

**KN28300X**

**Supply (2):** 1/2"

**Delivery (2):** 1/2"

**Control (1):** 3/8"

**Crack Pressure:** 0 PSI



**RELAY VALVES(RG2)**

2 Delivery Ports. Compact size.

A fast, low cracking pressure straight relay for tractor-trailer-truck applications.

Crack pressures 5.6 +/- 1.0 PSI.

Cover may be rotated without affecting warranty.

| PART No.       | RESERVOIR |      | DELIVERY |      | INCLUDED WITH VALVE:    |
|----------------|-----------|------|----------|------|-------------------------|
|                | A         | B    | C        | D    |                         |
| <b>KN28500</b> | 3/8"      | 3/8" | 3/8"     | 3/8" | (1) 3/8" PLUG.          |
| <b>KN28510</b> | 3/8"      | 1/2" | 3/8"     | 3/8" | (1) 1/2" (1) 3/8" PLUG. |
| <b>KN28520</b> | 1/2"      | 1/2" | 1/2"     | 1/2" | (1) 1/2" PLUG.          |

**RELAY VALVES**

Four delivery ports facing down.

Cracking pressure 3.0 PSI.

Meets or exceeds FMVSS-121

requirements. Cover may be rotated without affecting warranty.



| PART No.       | CONTROL | DELIVERY | SUPPLY | AUX     |
|----------------|---------|----------|--------|---------|
|                |         |          |        | SUPPLY  |
| <b>A103600</b> | 1/4"    | 3/8"     | 3/4"   | Plugged |

Used to apply and release service brakes on tractor or trailer. Ok to rotate cover.

**Part No. KN28085X**

**Supply (2):** 1/2"

**Delivery (4):** 3/8"

**Control (1):** 3/8"

**Crack Pressure:** 4.6± 1.5 PSI



Built-in anti-compounding two-way check valve for spring brake control.

**Part No. KN28071X**

**Supply (2):** 1/2"

**Delivery (2):** 1/2"

**Control (2):** 1/4" and 1/8"

**Crack Pressure:** 4.0± 1 PSI



**RG5 - 2 Delivery Port Relay Valve**

Used on 2 tank, 3 valve trailer systems and tractor applications.

Compact size.

Made of durable (EGC) Engineering Grade Composite.

All ports are molded-in identification.

Interchangeable with competitive valves.

Corrosion and rust proof.

Crack Pressure: 6.0 PSI

**Part No. KN28550**

**Supply A:** 1/2" x 3/8" nipple

installed at factory

**Supply B:** Plugged

**Delivery C:** 3/8"

**Delivery D:** 3/8"

**Control Port:** 1/4"





**BRAKE (FOOT) VALVES**

**Part No. 238888N**

Folcrum Pin

**Part No. 236979N**

Mounting Plate

Shown with valve.  
Valve not included.



**TREADLE ASSEMBLY  
Part No. 229938N**



**E8P BRAKE VALVE**

Lower Body  
Rotated 90°

**Part No. 800629**

(Replaces E-12  
065313 AND 800583)

**Part No. 800633**

(Replaces 065458,  
has 1/2" NPT exhaust.)

**BOOT**

**Part No. 236982N**

**E-10™ DUAL BRAKE  
VALVE (Basic)**

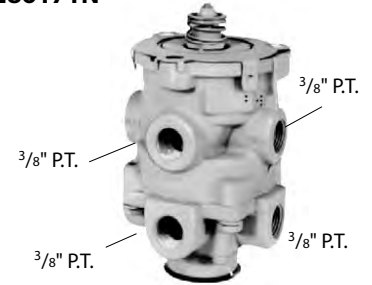
**Part No. OR101100X**  
Treadle and Mounting  
Plate not furnished.



**DUAL BRAKE VALVE**

The E-6 dual brake valve is a floor mounted treadle or lever operated valve with two separate supply and delivery circuits for service and secondary braking, providing graduated control for applying and releasing vehicle brakes.

**Part No. 286171N**



**E-7 DUAL™ BRAKE VALVE (Basic)  
Part No. OR101818X**

Pedal and mounting plate not furnished.

**TREADLE ASSEMBLY**

Aluminum  
assembly  
with  
no-slip design.  
Replaces most  
steel pedals

**Part No. SN4017A**



**FULL-FUNCTION (FF2 / FF3) TRAILER VALVES**

**FF2 FULL FUNCTION TRAILER VALVE**

Replaces 2 and 3 valve multifunction trailer air brake systems by providing:

- Trailer spring brake control.
- Pressure protection with one-way check.
- Trailer service relay.
- Fully complies with FMVSS-121 trailer regulations, for spring brake control and other requirements.

**Single valve for tandem axle:**

- 1 or 2 reservoir systems.
- Protects supply to 70 PSI; no dragging spring brakes with 70 PSI or higher supply line.
- 3 second spring brake apply.
- Service brake functions.
- Anti-compounding.

**Also available in REMANUFACTURED.**



|                 | CRACK           | RESERVOIR | CONTROL | SUPPLY | SPRING          | DELIVERY(4) |
|-----------------|-----------------|-----------|---------|--------|-----------------|-------------|
| <b>PART NO.</b> | <b>PRESSURE</b> |           |         |        | <b>BRAKE(2)</b> |             |
| <b>KN28600</b>  | 3 PSI           | 3/4"      | 1/4"    | 3/8"   | 3/8"            | 3/8"        |
| <b>KN28601</b>  | 3 PSI           | 1/2"      | 1/4"    | 3/8"   | 3/8"            | 3/8"        |

Single valve system - easy to install, maintain and troubleshoot. Built-in pressure protection and anti-compounding functions: FMVSS-121 compliant, eliminates broken foundation components caused by compounding of spring brake. Space age engineering grade composites: resists corrosion, lighter and more durable than aluminum. Built-in service and spring brake quick release. Heavy wall mounting nipple is treated to resist corrosion and withstand severe duty applications. Service brake priority ensures air tank pressure is sufficient to stop vehicle when spring brakes are first released. Can be used with single or twin air tanks.



## BENDIX OUTRIGHT REMAN VALVES LISTING

| Part No.  | Application                             |
|-----------|---|
| OR101100X | E-10™ dual brake valve                  |
| OR101112X | SR-4™ trailer spring brake valve - 3/4" |
| OR101622X | SR-4™ trailer spring brake valve - 1/2" |
| OR101818X | E-7™ brake valve                        |
| OR102626X | R-12™ vertical relay valve              |
| OR102761X | SR-2™ trailer spring brake valve        |
| OR103009X | R-12™ horizontal relay valve            |
| OR103010X | R-14™ horizontal relay valve            |
| OR103028X | R-14™ vertical relay valve              |
| OR103061X | SR-2™ trailer spring brake valve        |
| OR103081X | R-7™ modulating valve                   |
| OR106941X | TP™-5 tractor protection valve          |
| OR109264X | R-12P™ pilot relay valve                |
| OR109615X | SR-5™ spring brake trailer valve        |
| OR109617X | SR-5™ spring brake trailer valve        |
| OR229505X | LQ-2™ limiting and quick release valve  |
| OR229635X | TW-1™ control valve                     |
| OR229813X | QR-1™ quick release valve 1/4-3/8       |
| OR229859X | QR-1™ quick release valve 3/8-3/8       |
| OR229860X | QR-1™ quick release valve 3/8-1/2       |
| OR275491X | D-2™ governor                           |
| OR276566X | PP-1™ control valve 20 psi              |
| OR276567X | PP-1™ control valve 40 psi              |
| OR277340X | TR-2™ inversion valve                   |
| OR277863X | E-3™ brake valve                        |
| OR279000X | TP-3™ tractor protection valve          |
| OR279180X | R-6™ relay valve                        |
| OR280758X | TR-3™ inversion valve                   |
| OR281865X | RE-6™ emergency relay valve             |
| OR281923X | DV-2™ auto drain valve                  |
| OR283040X | TW-3™ control valve                     |
| OR283940X | R-6™ relay valve                        |
| OR284358X | D-2™ governor, high temp o-rings        |
| OR284412X | DV-2™ auto drain valve                  |
| OR286370X | R-8™ relay valve                        |
| OR286171X | E-6™ dual brake valve                   |
| OR286364X | SR-1™ spring brake valve                |
| OR287114X | R-8P™ relay valve                       |
| OR287376X | SR-2™ trailer spring brake valve        |
| OR287417X | PP-1™ control valve                     |
| OR288063X | SR-1™ spring brake valve                |
| OR288239X | PP-7™ trailer supply valve              |
| OR288241X | PP-7™ trailer supply valve, 1/4 exhaust |
| OR288301X | TP-4™ tractor protection valve          |
| OR288383X | E-7™ dual brake valve                   |
| OR288605X | TP-5™ tractor protection valve          |
| OR289144X | LQ-4™ front axle ration valve           |
| OR289714X | QR-1C™ quick release valve              |
| OR65145X  | BP-RP1™ bobtail brake valve 4psi        |
| OR65146X  | BP-RP1™ bobtail brake valve 5.5psi      |

**Great prices  
on Bendix  
Coreless  
Valves!**

**Bendix  
has  
remanufactured  
them to  
their  
specifications**

**We offer  
them with  
no core  
charge!**





**FLEETCRAFT VALVES**

**Valves**

New outright, one year warranty.



**Valves**

New outright, one year warranty.

**RELAY VALVES**

**Part No. FC28500**

**Relay Valve**

Straight relay.  
3/8" delivery,  
3/8" reservoir.  
Crack pressure 6 psi.



**Part No. FC28510**

**Relay Valve**

Straight relay.  
3/8" delivery,  
1/2" reservoir.  
Crack pressure 6 psi.



**Part No. FC28520**

**Relay Valve**

Straight relay.  
1/2" delivery,  
1/2" reservoir.  
Crack pressure 6 psi.



**Part No. FC065104**

**Relay Valve**

3/8" vertical  
delivery ports (4)  
1/2" supply.  
1/4" service port.  
Crack pressure 4 psi.



**RELAY VALVES**

**Part No. FC102626**

**Relay Valve**

1/2" vertical  
delivery ports (4)  
1/2" supply.  
1/4" service port.  
Crack pressure 4 psi.



**Part No. FC103009**

**Relay Valve**

1/2" horizontal  
delivery ports (4)  
3/4" supply.  
1/4" service port.  
Crack pressure 5.5 psi.



**Part No. FC103010**

**Relay Valve**

1/2" horizontal  
delivery ports (2)  
3/4" supply(2).  
1/4" service port.  
Crack pressure 4 psi.



**Part No. FC103028**

**Relay Valve**

1/2" vertical  
delivery ports (4)  
1/2" supply.  
1/4" service port.  
Crack pressure 4 psi.



**SPRING BRAKE CONTROL VALVES**

**Part No. FC065437**

**Spring Brake Control Valve**

Mounted on the reservoir,  
controls up to  
4 spring brakes.  
3/8" delivery (4)  
1/4" service  
1/4" supply.  
3/8" reservoir B.



**Part No. FC26020**

**Spring Brake Control Valve**

Trailer Supply 3/8"  
3/8" delivery (4)  
1/2" reservoir A.  
3/8" reservoir B.  
Closing pressure  
70 psi.



**Part No. FC103081**

**Spring Brake Control Modulating Valve**

3/8" delivery (2)  
1/4" balance.  
1/4" control.  
Controls spring  
brake pressure  
to 0-95 psi.



**Valves**

New outright, one year warranty.



**Valves**

New outright, one year warranty.





**FLEETCRAFT VALVES**

**Valves**

New outright, one year warranty.



**Valves**

New outright, one year warranty.

**EMERGENCY RELAY**

**Part No. FC281865**

delivery ports (4)-2APT, 2PT  
3/4" and 3/8" supply. 1/4" service



**LEVER CONTROL VALVE**

**Part No. FC229635**

All ports 1/8"



**PUSH PULL VALVES**

**Part No. FC276566**

**20 psi**, 1/8" supply,  
1/4" delivery  
1/4" exhaust.



**Part No. FC276567**

**40 psi**, 1/8" supply,  
1/4" delivery  
1/4" exhaust.



**Part No. FC288239**

**40 psi**, 1/8" supply.  
1/4" delivery  
1/8" control  
Auto pressure release.



**FULL FUNCTION VALVES**

**Part No. FC28600**

3/4" Reservoir



**Part No. FC28601**

1/2" Reservoir

**QUICK RELEASE VALVES**

Crack pressure 0 psi on both:

**Part No.**

**FC229859**

3/8" del, 3/8" supply.



**Part No.**

**FC229860**

3/8" del, 1/2" supply.



**QUICK RELEASE  
DOUBLE CHECK VALVE**

**Part No. FC289714**

3/8" del. 1/4" supply



**TRACTOR PROTECTION VALVE**

**Part No.**

**FC279000**

Tractor protection valve.  
Used with control valves  
and trailer supply valves.



**DUAL BRAKE VALVE**

**Part No. FC286171**

All ports 3/8".



**PILOT VALVE**

**Part No. FC54079**

Remote Mount.



**MANUAL VALVE**

**Part No. FC54088**

On/Off.



**Valves**

New outright, one year warranty.



**Valves**

New outright, one year warranty.



## VELVAC AIR CYLINDER CONTROL VALVES

### Four-Way Push/Pull Valves

Normal operating pressure 100 psi.

Aluminum shaft with stainless steel extension.

(5) 1/4"-18 FPT ports.

Includes 2 faceplates:

-Pull to Open/Push to Close

-Pull to raise/Push to Lower

#### Part No. 320121

Two Position Valve

#### Part No. 320122

Three Position,

Holding Type Valve

#### Part No. 320124

**Viper™** Four-Way Valve

Push Pull Valve, 0-150 P.S.I.

One piece stainless steel shaft.

(3) 1/8" npt ports

(2) 10-32 exhaust ports

Includes faceplate.

### Four-Way Rotary Handle Valve

#### Part No. 320123

Includes solid one-piece knob and TWO faceplates (Raise/Lower & Open/Close) (3) 1/4"-18 FPT ports



*Anodized aluminum clear-coated bodies .  
Nitrile seals for long cycle life . High impact knobs  
Balanced spool design .  
Operating temperature range from -40° to + 180°F  
Stainless steel hardware .  
Normal operating pressure 100 psi.*



### Four-Way Electronic Solenoid Valve

#### Part No. 320178 (320131)



- Features newly designed orifice area increasing airflow.
- Operates any single acting or pressure double acting air cylinder.
- Air piloted assist.
- Actuated with a standard on/off switch.
- (3) 9/32" dia. valve body mounting holes, (5) 1/4"-18 FPT ports.
- Exhaust cone filters included (030084 = 1/8" & 030092 = 1/4")

#### Part No. 320132

Four-Way Air Valve



#### Part No. 320139

Air pilot spring return valve with 1/8" external pilot port.

4 way valve type.

3/8" supply ports.



#### Part No. 320143

Spring return valve with internal manual override.

4 way valve type. 3/8" ports.



## VELVAC AIR CYLINDERS

- Stainless steel cylinder shaft provides excellent corrosion resistance and extended cycle life.
- Lightweight, corrosion resistant, aluminum cylinder tube with die cast aluminum end caps.
- Rear Clevis cast as integral part of the cover for improved durability and mounting integrity.
- Double acting, Emralon-coated piston cup assures smooth, long lasting operation even in cold weather conditions.
- Front end cap assembly includes pressure seal, dirt seal and oil impregnated bronze bushing.
- Cylinder tube is imprinted with part number and date code for quick identification.
- ALL cylinders are factory pressure and leak tested prior to shipping.



#### Part No. 100122

Air Cylinder - 2-1/2" I.D. x 4" Stroke. Cylinder Type: Push / Pull; Retracted Length: 9.37"

#### Part No. 100123

Air Cylinder - 2-1/2" I.D. x 6" Stroke. Cylinder Type: Push / Pull; Retracted Length: 11.37"

#### Part No. 100124

Air Cylinder - 2-1/2" I.D. x 8" Stroke. Cylinder Type: Push / Pull; Retracted Length: 13.37"

#### Part No. 100131

Air Cylinder - 3-1/2" I.D. x 6" Stroke. Cylinder Type: Push / Pull; Retracted Length: 13.6"

#### Part No. 100136

Air Cylinder - 3-1/2" I.D. x 8" Stroke. Cylinder Type: Push / Pull; Retracted Length: 18.35"

#### Part No. 100137

Air Cylinder - 3-1/2" I.D. x 8" Stroke. Cylinder Type: Push / Pull; Retracted Length: 1.60"



**SHUT OFF VALVES / DRAIN VALVES**

**SHUT OFF VALVE**

Ball type valve with 1/2" NPTF both ends.

Working pressure 150 PSI.

**Part No. 12116**



**DRAIN VALVES WITH CABLE**

Use on wet or dry tanks. 1/4" NPTF. Nylon coated stainless cable.

**3' cable Part No. 12103**

**4' cable Part No. 12104**

**5' cable Part No. 12105**



**DRAIN VALVES WITH CABLE**

Use on wet or dry tanks.

1/4" NPTF. Brass body with stainless spring. Nylon coated stainless cable.

**4' Cable**

**Part No. FC12104**

**5' Cable**

**Part No. FC12105**



**DV-2™ AUTOMATIC RESROVOIR DRAIN VALVES**

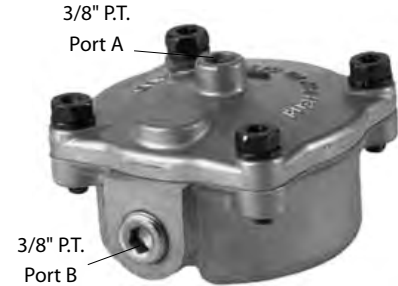
The DV-2 automatic reservoirs drain valve is a completely automatic draining device. It is installed directly into the end or bottom drain port of the reservoir and does not require any additional control lines. It operates automatically from ascending and descending reservoir pressures.

**Non-Heated:**

**Heated:**

**Part No. OR281923X**

**Part No. OR284412X**



**TRUCK VALVES**

**GROUND PLUG SHUT OFF COCK**

Female Pipe To Male Pipe



| Part No.  | Female Pipe Thread | Male Pipe Thread |
|-----------|--------------------|------------------|
| V402P-2-2 | 1/8"               | 1/8"             |
| V402P-4-4 | 1/4"               | 1/4"             |
| V402P-6-6 | 3/8"               | 3/8"             |

**TRUCK VALVE**

Hose To Male Pipe



| Part No.    | I.D. | Thread |
|-------------|------|--------|
| SV404P-6-6  | 3/8" | 3/8"   |
| SV404P-10-6 | 5/8" | 3/8"   |
| SV404P-10-8 | 5/8" | 1/2"   |
| SV404P-12-6 | 3/4" | 3/8"   |
| SV404P-12-8 | 3/4" | 1/2"   |

**TRUCK VALVE**

Female Pipe to Male Pipe



| Part No.  | Hose I.D. | Pipe Thread |
|-----------|-----------|-------------|
| V405P-6-6 | 3/8"      | 3/8"        |
| V405P-6-8 | 3/8"      | 1/2"        |
| V405P-8-8 | 1/2"      | 1/2"        |

**DRAIN COCKS**

**EXTERNAL SEAT DRAIN COCK**

| NPTF | Part No. |
|------|----------|
| 1/8" | DC604-2  |
| 1/4" | DC604-4  |
| 3/8" | DC604-6  |
| 1/2" | DC604-8  |



**DRAIN COCK**

| NPTF | Part No. |
|------|----------|
| 1/4" | DC601-4  |
| 3/8" | DC601-6  |
| 1/2" | DC601-8  |



**DRAIN COCK**

| NPTF | Part No. |
|------|----------|
| 1/8" | DC603-2  |
| 1/4" | DC603-4  |
| 3/8" | DC603-6  |



**DRAIN COCK**

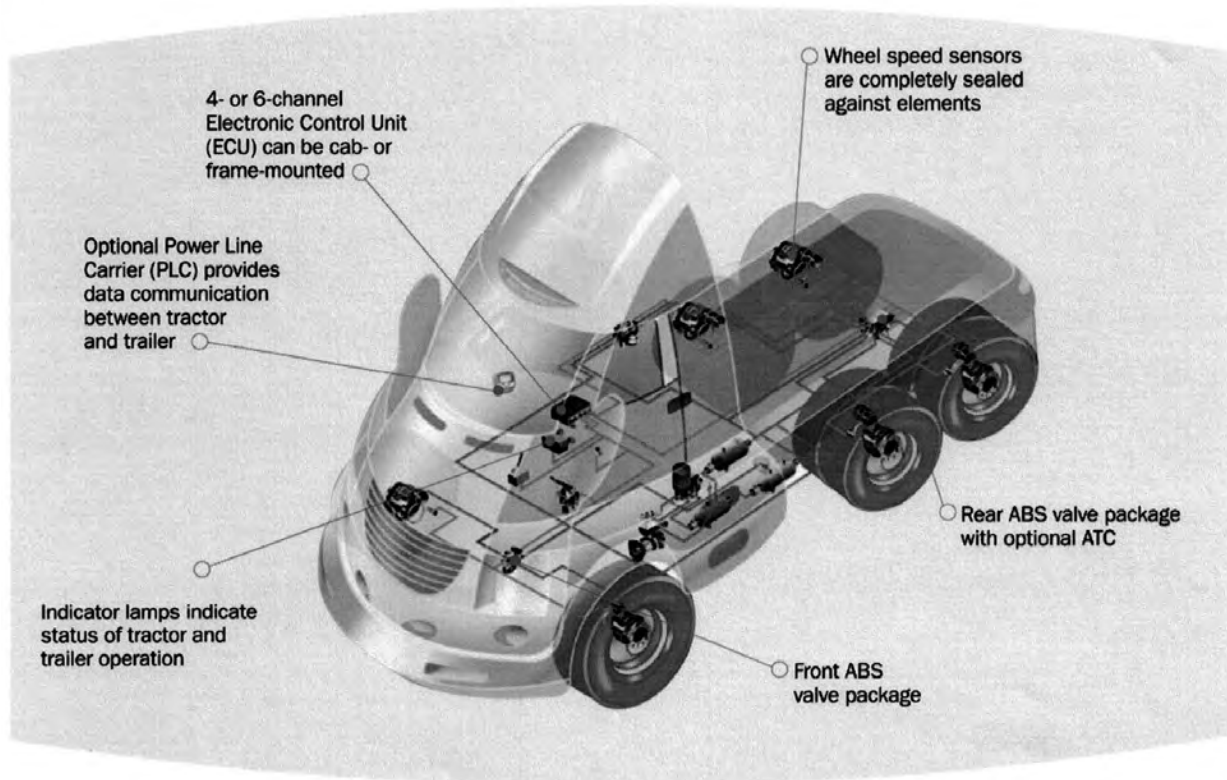
| Part No.  |
|-----------|
| DCR601-4  |
| 1/4" NPTF |





## ABS TECHNICAL INFO - MERITOR

### ANTI-LOCK BRAKING SYSTEMS FOR TRACTORS

**MERITOR WABCO**

### Features and Benefits:

- Simple diagnostics provide three options:
  - PC-based TOOLBOX™ Software, standard blink code or Pro-Link® 9000.
- Redundant circuit design increases reliability and safety.
- High sensor signal strength protects against electromagnetic and radio frequency.
- Front ABS valve package combines ABS modulator valves with quick release valve functions.
- Rear ABS valve package with optional ATC requires less maintenance.
- Optional Power Line Carrier (PLC) provides drivers with critical trailer information via the Meritor WABCO InfoLink™ Gateway which links tractor and trailer systems.
- ABS valves optional with integrated QR feature.

**MERITOR WABCO**



## ABS TECHNICAL INFO - MERITOR

# Meritor WABCO ABS Options for Trailers

### PLC Display and Command Center

Our in-cab PLC Display shows real-time data transfer between tractor and trailer systems equipped with Power Line Carrier (PLC) communications and Enhanced Easy-Stop Trailer ABS with InfoLink.



### DataMaster

For more complete troubleshooting, this handheld device makes data extraction of vital trailer stats easy. Connects to trailer's J560 connector, displays ABS status codes, trailer ID and odometer readings for up to 255 trailers.



### In-Line Filter

Prevents damaging particles from entering the trailer's air brake system.



### Roll Stability Support

A dedicated electronic trailer stability support system works with your trailer ABS to reduce the likelihood of vehicle rollover. RSS monitors vehicle lateral acceleration and automatically applies the trailer brakes when an established threshold indicating a potential for a rollover is reached. The RSS system can apply full brake force to the outside wheels while applying lower pressure to the inner wheels.

For maximum directional control and stability, combine our dedicated trailer stability support system (RSS) with either an RSC or ESC tractor stability system.



**MERITOR WABCO**



## ABS - 4S/2M MERITOR WABCO COMPONENT KITS

**We have developed these kits for MANUFACTURERS ONLY - OEM ONLY.**

**These kits are not available to aftermarket distributors, we have those kits on the following pages.**

**THANK YOU!**

**2 Sensor/1 Modulator Valve**

Tandem Suspension,  
Two Wheels Sensed.  
10' Power Cable

**KIT PART NO. 1542014**

| REPLACEMENT PARTS LIST |             |                     |
|------------------------|-------------|---------------------|
| Qty                    | Part No.    | Description         |
| 1                      | S4005001010 | ECU                 |
| 1                      | S4493260300 | 10' Power cable     |
| 2                      | S4497130180 | 6' Sensor Ext cable |
| 1                      | ---         | Installation Guide  |
| 1                      | ---         | End of Line Test    |



**2 Sensor/1 Modulator Valve**

Tandem Suspension,  
Two Wheels Sensed  
49' Power Cable

**KIT PART NO. 1542015**

| REPLACEMENT PARTS LIST FOR |             |                        |
|----------------------------|-------------|------------------------|
| Qty                        | Part No.    | Description            |
| 1                          | S4005001010 | ECU                    |
| 1                          | PEC4-48     | 49' Power Ext cable    |
| 1                          | S4493260050 | 1.6' Power Cable       |
| 2                          | S4497130180 | 6' Sensor<br>Ext.cable |
| 1                          | ---         | ABS Label For<br>Lamp  |
| 1                          | ---         | Installation Guide     |
| 1                          | ---         | End of Line Test       |



**4 Sensor/2 Modulator Valve**

Suggested Electrical Diagram  
Tandem Suspension,  
Four Wheels Sensed  
10' Power Cable

**KIT PART NO. 1544223**

| REPLACEMENT PARTS LIST |             |                      |
|------------------------|-------------|----------------------|
| Qty                    | Part No.    | Description          |
| 1                      | S4005001030 | ECU                  |
| 1                      | S4493260300 | 10' Power Cable      |
| 2                      | S4497130300 | 10' Sensor Ext cable |
| 2                      | S4497130180 | 6' Sensor Ext cable  |
| 1                      | ---         | ABS Label For Lamp   |
| 1                      | ---         | Installation Guide   |
| 1                      | ---         | End of Line Test     |



**MERITOR WABCO**

**Enhanced Easy-Stop™**



**MERITOR WABCO ABS ENHANCED EASYSTOP™ CONVERSION KITS**

Meritor WABCO has created a series of retrofit kits to replace the previous Easy-Stop platform, to the current production Enhanced Easy-Stop platform.

Easy Stop was installed on production built trailers between March 1997 and February 2001.

Enhanced Easy-Stop incorporated current technology to address regulatory PLC requirements and has been installed from March 2001 to present.



To determine the proper kit , find the existing Easy-Stop ECU/Valve part number that needs to be replaced.

Then determine if you will pull the diagnostics from the **tractor** (power adapter equipped kits) or from the **trailer** (power adapter with diagnostic adapter equipped kits).

**Converting Meritor WABCO Easy Stop to Enhanced Easy-Stop™ Trailer ABS ECU/VALVE**

| <u>Easy Stop</u><br><u>ECU/Valve#</u> | <u>Description</u>        | <u>Enhanced Easy Stop</u><br><u>Power AdapterRetrofit Kit</u> | <u>Enhanced Easy Stop</u><br><u>Power/Diagnostic Adapter Retrofit Kit</u> |
|---------------------------------------|---------------------------|---|---|
| 472 500 021 0                         | 2S/1M for <b>Trailers</b> | <b>R955344</b>  | <b>R955345</b>  |
| 472 500 011 0                         | 2S/1M for <b>Dollies</b>  | <b>R955322</b>  | <b>R955323</b>  |
| 472 500 012 0*                        | 2S/1M, 2S/2M, 4S/2M       | <b>R955320</b>  | <b>R955321</b>  |
| 472 500 013 0                         | 4S/3M                     | <b>R955346</b>  | <b>R955347</b>  |

\* If a 472 500 012 0 ECU/Valve was used in an Easy Stop 2S/1M application, order a R955344 or R955345 kit. The kits contain an Enhanced Easy-Stop ECU/Valve and either a power cable adapter or power/diagnostic cable adapter.

**Part No. R955344**  
**(from the tractor)**  
For Trailer Applications Only  
(NO Dolly) 2S/1M  
Replaces Meritor  
Part Number 4725000210  
w/S8946073120 cable  
ECU=S4461082010  
Valve=S4721950330



**Part No. R955345**  
**(from the trailer)**  
For Trailer Applications Only  
(NO Dolly) 2S/1M  
Replaces Meritor  
Part Number 4725000210  
w/S8946073130 cable  
ECU=S4461082010  
Valve=S4721950330



**Part No. R955322**  
**(from the tractor)**  
For Dollies Only 2S/1M  
Replaces Meritor  
Part Number 4725000110  
w/S8946073120 cable  
ECU=S4461082040  
Valve=S4721950330



**Part No. R955323**  
**(from the trailer)**  
For Dollies Only 2S/1M  
Replaces Meritor  
Part Number 4725000110  
w/S8946073130 cable



**Part No. R955320**  
**(from the tractor)**  
2S/1M, 2S/2M, 4S/2M  
Replaces Meritor  
Part Number 4725000120  
w/S8946073120 cable  
ECU=S4008506010  
Valve=S4008506020



**Part No. R955321**  
**(from the trailer)**  
2S/1M, 2S/2M, 4S/2M  
Replaces Meritor  
Part Number 4725000120  
w/S8946073130 cable





**MERITOR WABCO ENHANCED EASYSTOP™ COMPONENTS**

**Part No. S4005001010**

ECU Valve Assembly  
2S/1M Basic for trailer  
(after the 3/1/01 date)



**Part No. S4461082010 (Ecu Only)**

Relay Only - S4721950330

**Part No. S4005001020**

ECU Valve Assembly  
2S/2M Basic for trailer  
(after the 3/1/01 date)



**Part No. S4005001030**

ECU Valve Assembly  
4S/2M Basic for trailer  
(after the 3/1/01 date)



**Part No. S4008506010**

ECU Only

**Part No. S4005001040**

ECU Valve Assembly  
with bracket.  
2S/1M Basic for trailer  
turntables, steerables and dollies.  
(after the 3/1/01 date)



**Part No. S4461082040**

ECU Only

**Part No. S4721950330**

Modulator Valve with boyonet  
connector. Valve replacement  
for S4005001010 / S4005001040.  
(after the 3/1/01 date)



**Part No. S4008506020**

Modulator Valve.  
Valve replacement for  
S4005001020 / S4005001030.  
(after the 3/1/01 date)

**Part No. S4493260100**

ABS Power Cable  
4 conductor, 3.3 feet.  
for standard harness connector



**Part No. S4493260050 - 1.65 feet.**

**Part No. S4493260100 - 3 feet.**

**Part No. S4493260300 - 10 feet. (shown)**

**Part No. S4493260400 - 13 feet.**

**Part No. S4493260470 - 15.4 feet.**

**Part No. S4493260600 - 20 feet.**

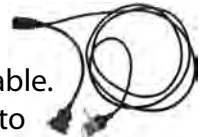
**Part No. S8946073120**

Adapter cable. Connects  
Easystop power cable to  
enhanced Easystop  
ECU/Valve assembly



**Part No. S8946073130**

Adapter cable with diagnostic cable.  
Connects Easystop power cable to  
enhanced Easystop ECU/Valve assembly.



**Part No. S8946062752**

ABS connector relay  
2S/1M Basic.  
Easy Stop



**Power Cables**

**Part No. S8946049440**

Power cable, 4 conductor, 3', std connector

**Part No. S8946049450**

Power cable, 4 conductor, 13', std connector

**Part No. S8946060370**

Power cable, 4 conductor, 1.27', std connector

**Part No. S8946060380**

Power cable, 4 conductor, 14', std connector

**Part No. S8946060500**

Power cable, 4 conductor, 20', std connector



**Part No. S4493641500**

13.1' / 9.8' Power "Y" Cable

**Part No. S4493641530**

20' / 10' Power "Y" Cable3



**MERITOR WABCO**

**NOTE: Sensors and Sensor Extensions are Universal to Both Systems**

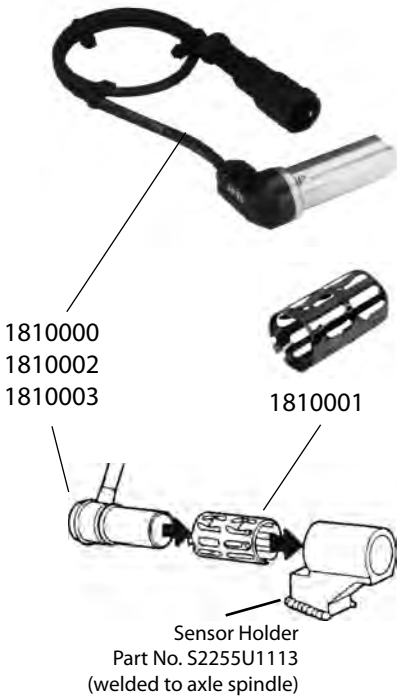




**MISCELLANEOUS MERITOR WABCO ABS COMPONENTS**

**SENSOR PLACEMENT**

When more than one wheel is controlled by a single valve, sensors should be mounted at the axle which tends to lock first. For spring suspensions this is usually the forward axle. For air suspensions this is usually the rear most axle.



| Common ABS Components |                           |
|-----------------------|---------------------------|
| Part No.              | Description               |
| 1810000               | Bendix / Haldex 1' Sensor |
| 1810001               | Friction Bushing / Clip   |
| 1810002               | Meritor Wabco 1' Sensor   |
| 1810003               | Meritor Wabco 3' Sensor   |

**ABS POWER CABLES**

4 Conductor, 49' with blunt cut end. Easy-Stop.

**Part No. S4493151500**



4 Conductor, 36' with blunt cut end. Easy-Stop.

**Part No. S4493151100**



4 Conductor, 10', w/blunt cut end. Enhanced Easy-Stop

**Part No. S4493280300**



**RIGHT ANGLE (90°) SENSOR KITS**

Includes sensor, bushing clip, friction lube, and instructions.

| Part No. | Cable lead in Feet |
|----------|--------------------|
| R955335  | 1.0                |
| R955336  | 3.0                |
| R955341  | 5.8                |
| R955342  | 6.6                |



**MERITOR WABCO**

**STRAIGHT SENSOR KITS**

Includes sensor, bushing clip, friction lube, and instructions.

| Part No. | Cable lead in Feet    |
|----------|-----------------------|
| R955329  | 5'6"                  |
| R955338  | 5'8" (Sensor is 79mm) |



**SENSOR EXTENSION CABLES**

| Part No.    | Cable Feet |
|-------------|------------|
| S4497130180 | 6          |
| S4497130300 | 10         |
| S4497130500 | 16         |



**Part No. S432500050**

In-line filter (complete valve). Mounted at the Gladhand. Highly recommended for control line. Prevents contamination of the trailer's air system. Requires regular cleaning, but equipped with a bypass if needed.



**ABS Diagnostic (Pre-PLC)**

**Cable with Tool**  
**Part No. SA13237L1130**



**ABS Relay Valves**  
**Second modulator valve for use on 2S/2M and 4S/2M Systems**  
**Part No. R955378**



**ABS Relay Valve with bayonet connector. Valve replacement for S4005001010**  
**Part No. S4721950330**



**ABS MODULATOR VALVES**  
**Controls air pressure to the brake chambers during an ABS stop.**

**Part No. R95012790**

12 volt, kostal style connector. (screw-on)



**Part No. R950127ST**  
1/2" ports. With straight adapter cable.

**Part No. S4721950520**

12 volt, bayonet style connector. 1/2" ports.



**VALVE KIT**

**Part No. S4725000072**

Entire Valve Package  
472 195 076 0 ABS modulator valve  
472 195 077 0 ABS modulator valve  
973 011 022 0 Relay valve  
472 500 101 0 Replacement kit



**NOTE: Sensors and Sensor Extensions are Universal to Both Systems**



## ABS POWER EXTENSION CABLES

### ABS Power Extension Cable - 48'

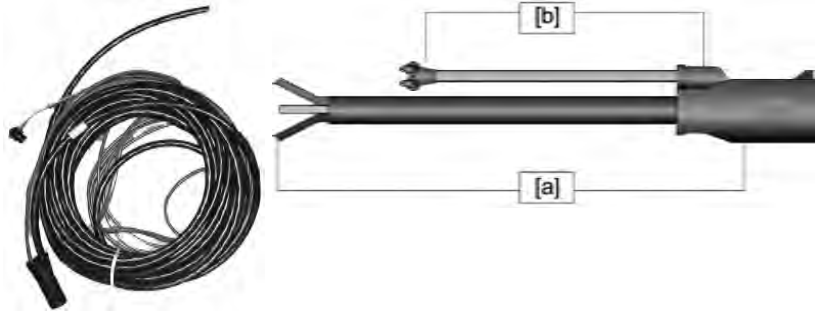
ISO connector one end, blunt cut on the other, with a connector wire to the ABS warning lamp.

Black jacket cable for plug-in extension of ABS power cable. Includes fully over molded TTMA recommended five pole weather pack connector and separate lamp lead.

(a) = 576" / 48'

(b) = 200" / 16.66'

**Part No. PECW-48**



*Sealco*

### ABS Power Extension Cable - 48'

ISO connector one end, blunt cut on the other. Jacketed cable for plug-in extension of ABS power cable. Includes fully over molded TTMA recommended five pole weather pack connector

**Part No. PEC448**



*Sealco*

## RSS - ROLL STABILITY SUPPORT - ABS

### RSS Power PLC Adapter Cable

Roll Stability Support.

Provides PLC capability ABS dropout connection - 1.65' (0.5m).

ECU connection - 6' (2m)

**Part No. S4461460050**



### RSSplus + ECU/VALVE Assembly

12 volt.

EBS installation kit not required.

**Part No. S4801070000**





**MBS ABS KIT - FLEETCRAFT & MERITOR**

## How To Identify The Retrofit Kit Needed To Convert A Wabash Trailer.

First, check the trailer to see if the sensors are visible on the axle spindles—this will determine the kit that's right for the trailer.

If the sensors are visible on the axle spindles, the trailer is equipped with MBS-1 or MBS-1P. If the sensors are not visible, the trailer is equipped with MBS-2.

For MBS-1 or MBS-1P, if the trailer currently does not have Meritor WABCO sensor cables, the

appropriate complete retrofit kit must be ordered.

For MBS-2, if tone rings will be pressed onto the existing hubs, then order the appropriate retrofit kit with tone rings. If new hub assemblies with tone rings are preferred for this installation, then order the appropriate retrofit kit without tone rings as well as the appropriate hub assemblies.

### MBS-1/MBS-1P Retrofit Kits

| MBS-1 / MBS-1P KITS    | 2S/1M UNITS | 4S/2M UNITS |
|------------------------|-------------|-------------|
| Complete Retrofit Kits | R955374     | R955375     |
| Short Retrofit Kits    | R955382     | R955383     |

**Complete Retrofit Kit:** ECU/Valve Assembly, 14' Power Cable, Sensors w/18" leads, 6' Sensor Extension Cables and Sensor Clips.

**Short Retrofit Kit:** ECU/Valve Assembly and 14' Power Cable.

### MBS-2 Retrofit Kit

| MBS-2 KITS     | KIT WITH TONE RINGS | KIT WITHOUT TONE RINGS |
|----------------|---------------------|------------------------|
| 2S/1M or 4S/1M | R955423             | R955425                |
| 2S/2M          | R955426             | R955427                |

**MBS-2 Retrofit Kits:** ECU/Valve Assembly, 14' Power Cable, Sensors, 6' Sensor Extension Cables, Sensor Clips w/18" leads, Axle Plug (Tapped Axle), Press Plugs, Sensor Mounting Blocks, Sealant, Retrofit Instructions and Tone Rings.

#### Part Number 1532014

**2S/1M ABS Kit: INCLUDES:**

- PLC Select Valve/ECU Assembly - 6 port
- Power Cord Extension
- 2 Sensor Clips
- Heavy Duty Hex Nipple
- Installation Instructions / PLC Service Manual



The 1532014 kit has no sensors so that the existing sensors can be used if the existing sensor numbers are 10800126 (Wabash number), or S4410328080 (Meritor number).

#### Part Number R955374

**2S/1M ABS Kit: INCLUDES:**

- ECU Valve Assembly.
- Sensors (2) 1 ft,
- power cable 14 ft w/iso plug,
- sensor extension cables (2) 6' with plug,
- sensor springs (2), installation instructions.

**4S/2M ABS Kit - Part Number - R955375**



The R955374 includes sensors if the existing sensors are not Meritor, or all new sensors are needed.

**MERITOR WABCO**

KITS ARE BOXED / 1 BOX PER TRAILER.

**ABS - 2S/1M - HALDEX PLC - FULL FUNCTION****Part No. AQ961404**

Kit Consists of:

| Qty | Part No. | Description             |
|-----|----------|-------------------------|
| 1   | AL919310 | ECU                     |
| 1   | AL430624 | Full Function ABS Valve |
| 2   | AL919804 | 7.5' Sensor Cable Ext   |
| 1   | AL919901 | 12' Power Cord Ext      |
| 1   | Box      | Tie Down Clips          |



- PLC Select ECU Design
- FFABS Relay Valve
- 3/4" nipple, spring brake priority.
- For Van Trailers
- Complies with the March 2001 PLC4 Trucks industry.
- Kit includes detailed instructions for installation and maintenance.

**Part No. AQ960802**

Kit Consists of:

| Qty | Part No. | Description              |
|-----|----------|--------------------------|
| 1   | AL919310 | ECU                      |
| 1   | AL430624 | Full Function ABS Valve  |
| 2   | AL919804 | 7.5' Sensor Cable Ext    |
| 1   | AL918602 | 62' Power Cord, 38' drop |
| 1   | Box      | Tie Down Clips           |



- PLC Select ECU Design
- FFABS Valve Type
- Reservoir Mount
- Control Port (1) 3/8"-18
- Emergency Supply Port (1)3/8"-18
- Complies with the March 2001 PLC4 Trucks industry.
- Kit includes detailed instructions for installation and maintenance.

**ABS - 4S/2M - HALDEX PLC - FULL FUNCTION****Part No. AQ963011**

Kit Consists of:

| Qty | Part No. | Description             |
|-----|----------|-------------------------|
| 1   | AL919311 | ECU                     |
| 1   | AL430624 | Full Function ABS Valve |
| 2   | AL919802 | 4.5' Sensor Cable Ext.  |
| 2   | AL919804 | 7.5' Sensor Cable Ext.  |
| 1   | AL919901 | 12' Power Cord Ext.     |
| 1   | AL364040 | Modulator Valve         |
| 1   | AL40906  | Loom Assembly           |
| 1   | Box      | Tie Down Clips          |



- PLC Select 2M ECU Design
- FFABS Valve Type
- Reservoir Mount
- 2-Port, Dual Nipple 1/2" and 3/4"
- 12V, 3/8" Ports
- Spring Brake Priority
- Kit includes detailed instructions for installation and maintenance.

**ABS PLC SELECT ECU UPGRADE KIT - 2S / 1M****Part No. AQ964110**

Kit Consists of:

1M Power Cord Extension  
0.5M Sensor Extensions  
PLC Select ECU and Bracket  
Tie Down Clips (AL920809)



UPGRADE Kit for AL40953, AL919302, AL919310.

Wheel-speed Sensor and Trailer Power connects directly to ECU - no intermediate cables required. Single fastener design assures easy serviceability. Potted ECU Enclosure provides excellent protection from the environment.

**Part No. AQ964111**

4S/2M also in stock.

**ABS - UNIVERSAL PLC 2S/1M REPLACEMENT KIT****Kit Part No. AQ960510**

Kit Consists of:

| Qty | Description                       |
|-----|-----------------------------------|
| 1   | PLC Select Valve ECU Assy. 6 Port |
| 1   | 19' Power Cord Ext.               |
| 2   | 6.6' Sensor Extensions            |
| 1   | Installation Instructions         |
| 1   | PLC Service Manual                |



- PLC Select 2M ECU Design
- ABS Relay Valve Type
- Standard ABS (Modular) requires an additional separate spring brake control

AQ960510 Universal PLC Select ABS Kit will replace all competitive brands and generations of trailer 2S/1M (2 Sensor - One Modulator Valve) ABS systems. These are any systems that utilize a single ABS valve, two sensors, and a separate spring brake control valve. Do not use this kit to replace the Haldex FFABS ABS System as this is a single valve per vehicle.



## ABS COMPONENTS - HALDEX

### ECU Valve PLC Select

#### Part No. AL919338

- Wheel-speed Sensor and Trailer Power connects directly to ECU  
- no intermediate cables required.
- Single fastener design assures easy serviceability.
- Potted ECU Enclosure provides excellent protection from the environment.
- PLC Select 1M supports all 2S/1M applications.



### FFABS Valve - SERVICE BRAKE PRIORITY

#### Part No. AL430614

(Solenoid only=AQ40525)

### FFABS Valve - SERVICE BRAKE PRIORITY

#### Part No. AL430668 (4-SB port)

4 port, 1/2" & 3/4" nipple.

12 volt, 3/8" ports.

- Patented FFABS Valve with integral Spring Brake Control function.
- Pre-installed Reservoir Nipple with swivel and lock-nut feature assures easy serviceability.
- FFABS Valves are standard with filters in both the Control and Supply Ports.
- Production part number is embossed on metal tag.

### FFABS Valve - SPRING BRAKE PRIORITY

#### Part No. AL430624

### TRAILER ABS SOLENOID KIT

#### Part No. AQ40525

- 12 volts, 24 mm electrical connector
- Includes new mounting hardware, check ball,
- DIN solenoid and adapter cable.



### ELECTRONIC CONTROL UNIT (ECU)

#### Part No. AL919342

- Wheel-speed Sensor and Trailer Power connects directly to ECU  
- no intermediate cables required.
- Single fastener design assures easy serviceability.
- Potted ECU Enclosure provides excellent protection from the environment.
- PLC Select 2M supports all 4S/2M (or 2S/2M) applications.
- PLC Select 1M Kits are available to upgrade earlier generation ECU platforms.
- Post October 2009 SKU# incorporates DIN style Solenoid Cable.
- Post October 2009 SKU# shipped with Adapter Cable for pre-DIN ABS Valve and hardware items for 1M ECU's.



**ABS COMPONENTS - HALDEX****ABS Modular Valve less ECU****Part No. AL364040****Single axle application**Number of Ports: **2**Mounting Port Size: **1/2"**Delivery Port Size: **3/8"**Mount: **Reservoir**

Application:

**24mm 12 volt Solenoid.****ABS Modular Valve less ECU****Part No. AL364041****Multi-axle application.**Number of Ports: **6**Mounting Port Size: **1/2"**Delivery Port Size: **3/8"**Mount: **Reservoir**

Application:

**24mm 12 volt Solenoid****TRAILER ABS FULL POWER CABLE**

-All Full Power Cables include ABS Lamp Lead.

-All Full Power Cables may be shortened to fit application by cutting the "stripped end."

-ECU end includes over-molded industry 5-Pin female connector. For production Mar. '01-present.

**Part No. Length - Feet****AL918602 65.7'**

ABS lamp lead is 39.4'

**AL918604 52.5'**

ABS lamp lead is 26.2'

**AL918606 16'**

ABS lamp lead is 10'

**Sensor Cable extension**

-Use universally with any Haldex Sensor or Sensor Extension to accommodate required length.

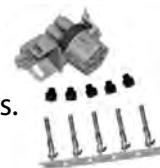
-Use in conjunction with 0.5m Sensors to interface with the ECU (or Loom) connections OR with the longer Sensors to gain additional length in special application.

**Part No. AL919802 - 1.5M / 4.9'****Part No. AL919803 - 2.0M / 6.6'****Part No. AL919804 - 2.5M / 8.2'****Part No. AL919805 - 3.0M / 9.8'****ABS POWER CABLE REPAIR KIT**

5 way terminal kit for power cables.

**Part No.****AQ15473****Part No.****AQ15474**

5 way terminal kit for loom assemblies.

**ABS POWER CORD EXTENSION**

Over-mold design introduced 3Q2009 ECU end includes over-molded industry 5-Pin female Connector

Trailer Power end includes over-molded industry 5-Pin male Connector

**Part No. Length - Feet****AL919901 13.1'****AL919902 19.7'****AL919903 3.0'****Right Angle (90°) Sensor Kit**

Includes sensor, bushing clip.

**Part No. Cable lead-Feet****AL10271914 1.6'****AL10271915 6.6'****AL364053 13.1'****ABS SENSOR WIRE RETAINING CLIP****Part No.****AL920809**



**BENDIX ABS COMPONENTS**

**Bendix® TABS-6™ Standard & Premium Trailer Antilock Braking System.**

**Few connections, small and light, fast and reliable, for all applications.**

**Communicates over PLC.**

**Has a 4 port relay.**



**TABS-6™ Standard**  
2S/1M trailer ABS module.

**Part No. 801855**



**TABS-6™ Premium**

Default setting: 2S/1M.

Auto-configurable to 2S/2M and 4S/2M axle.

**Part No. 801991**

**TABS-6™ 2S/1M ABS Kit - Standard**

Kit Includes:

- 801855 Standard TABS-6
- 801997 5-pin power harness
- 802052 Sensor extension cable
- 5015457 diagnostic label and service data sheet



**Part No. 802997**

**TABS-6™ WS-24 sensor extension - 60"**

**Part No. 802052**

**TABS-6™ ECU pigtail. Standard 2S/1M**

**Power 234" length.**

**Part No. 801998**

**MC-12 Trailer ABS Modules Replacement Kit**

**Part No. 802902**

The MC-12 trailer ABS modules are no longer available. TABS-6 kits are available for service.



**A-18 Trailer ABS Modules**

The A-18 trailer ABS modules are no longer available. TABS-6 kits are available for service.



**Replacement Kits:**

- Part No. K019708** - With short pigtail - 60".
- Part No. K019711** - With long pigtail - 234".

**Bendix EC-30™ Electronic Controller -ECU**

**Part No. 801236**

6S/4M -sensors and modulators.

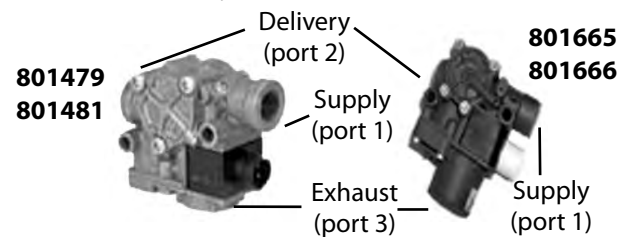
Traction control.

EC-16™ and EC-17™ service replacement.



**Bendix Anti-Lock Modulator Valves**

| Part No.      | System           |
|---------------|------------------|
| <b>801479</b> | 12 volt, M-32QR™ |
| <b>801481</b> | 12 volt, M-32QR™ |
| <b>801665</b> | 12 volt, M-32™   |
| <b>801666</b> | 12 volt, M-32™   |



**BR9235™ ABS Modulator / Relay Valve**

3/4" NPT Supply. (4) 3/8" NPT Delivery.

**Part No.801993**



**ABS Diagnostic Tools**

| Part No.       | Description                                |
|----------------|--|
| <b>K101596</b> | RDU - Remote Diagnostic Unit               |
| <b>801872</b>  | RDU adapter - 6 pin to 9 pin adapter cable |
| <b>802229</b>  | RDU adapter - 9 pin to 9 pin adapter cable |
| <b>K101597</b> | TRDU - Trailer Remote Diagnostic Unit      |
| <b>802165</b>  | TRDU adapter - 7 pin connector for TRDU    |



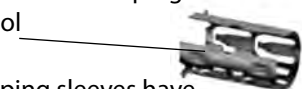
**WS-24™ Wheel Speed Sensors**

| Part No.      | Description                         |
|---------------|-------------------------------------|
| <b>801541</b> | 90°, 63", with DIN connector.       |
| <b>801543</b> | Straight, 66", with DIN connector.  |
| <b>801546</b> | 90°, 60", w/Deutsch connector.      |
| <b>801549</b> | 90°, 60", with DT04 connector.      |
| <b>801552</b> | Straight, 75", with DT04 connector. |
| <b>801534</b> | Clamping Sleeve**                   |



\*\*Clamping sleeve is included with all service new Bendix WS-24 sensors. NEW universal clamping sleeves have a Dynamark symbol stamped on the sleeve.

NOTE: Early Bendix WS-20 clamping sleeves have "BW" in a diamond symbol stamped and cannot be used for WS-24 sensors.





### DEXTER BRAKE ACTUATION SYSTEMS

#### DEXTER PREDATOR SERIES BRAKE ACTUATION SYSTEMS

Dexter Axle has the Predator Series line of brake actuation systems, the **Predator DX2**. This model utilizes a patented deceleration sensor for smooth, proportional braking and can power up to four electric brakes. Features include a digital LED that displays voltage output to the brakes and assists with leveling set-up, numeric gain settings, independent manual override for full braking power, short circuit protection, and a seven year product warranty.



**Part No. 058-008-00**



### DEXTER HUBS & HUB AND DRUM ASSEMBLIES

**Part No. 008-174-05**

5 spoke Hub & Drum -stud only. 9/16"-18 12" x 2". Grease. 6000 lb. rating.



**Part No. 008-219-13**

Hub & Drum. 8-6.5 BC. Cupped and studed. 9/16"-18. 7000 rating. Grease.



**Part No. 008-259-05**

Hub Idler. Cupped and studed. 5-4.5 BC. Grease application, 2000 lb. rating. For 13"-15" wheels only.



**Part No. 008-201-09**

6 hole Hub & Drum Assembly. 6-5.5 BC. Grease. 1/2"-20. 5200 lb. rating. 12" x 2".



**Part No. 008-247-05**

5 spoke Hub & Drum -stud only. 5-4.5 BC. Grease. 1/2"-20. 3500 lb. rating. 10" x 2-1/4".



**Part No. 008-285-10**

Hub and Drum. Cupped and studed. 8-6.5 BC. 8000 lb rating. Oil. 5/8"-18.



**Part No. 008-214-05**

8 on 6.5 Hub w/cup & studs. 10,000lb rating. Oil. 5/8"-18.



**Part No. 008-248-05**

5 spoke idler hub only. 5-4.50 BC. Grease. 1/2"-20 3500 lb. rating.



**Part No. 008-288-03**

Hub Idler. Cupped and studed. 5/8"-18. 8-6.50 BC. Oil. 9000-10,000 lb. rating. Light Duty.



**Part No. 008-219-04**

8 on 6.5 Hub & Drum Assembly. 12" x 2" Grease. 1/2"-20. 6000 lb. rating.



### DEXTER TRAILER SPRINGS

**Part No. 072-027-00 (double eye)**

6 leaf, 25" length, 3,500 lb. capacity

**Part No. 072-042-00 (double eye)**

4 leaf, 25" length, 1,750 lb. capacity



**Part No. 072-032-00 (slipper)**

5 leaf, 26" length, 3,600 lb. capacity

**Part No. 072-073-00 (double eye)**

5 leaf, 25" length, 3,000 lb. capacity



When replacing worn or broken springs, your worn spring will be longer than a new spring due to wear.

**Part No. 007-001-01** Slipper Bolt 7/8" x 4.5  
**Part No. 007-003-00** Spring Bolt 9/16" x 3.0

**Part No. 007-017-00** Spring Bolt 9/16" x 3.5

### DEXTER WHEEL SEALS

**Part No. 010-003-00**

1.23 x 1.98 S-Lip Grease Seal.

**Part No. 010-010-00**

2.125 x 3.376 Oil Seal (w/.468 double lip)

**Part No. 010-019-00**

1.72 x 2.56 D-Lip Seal fits 10"x2-1/4" hub.

**Part No. 010-036-00**

2.25 x 3.37 D-Lip Grease Seal fits 12"x2" hub (after '98)

**Part No. 010-040-00**

1.938 x 2.51 Seal fits 12x2 MHU hub

**Part No. 010-051-02**

2.87 x 3.88 Oil Seal fits 9k and 10k GD hub/drum

**Part No. 010-056-00**

3.125 x 4.506 Oil Seal fits 10k-15k HD hubs.

**Part No. 010-060-00**

1.50 x 1.98 D-Lip Grease Seal fits 7" hub

**Part No. 010-063-00**

2.25 x 3.38 Oil Seal fits 7.2k and 8k drums







## DEXTER BRAKE ASSEMBLIES - ELECTRIC

**Part No. K23-026-00 (LH)**

**Part No. K23-027-00 (RH)**

10 X 2-1/4, 4 hole, 3500 lb.

**NEW VERSION OF K23-026/027**

**Part No. K23-468-00 (LH)**

**Part No. K23-469-00 (RH)**

10 x 2-1/4, 3500 lb. Nev-R-Adjust™

**Part No. K23-105-00 (LH)**

**Part No. K23-106-00 (RH)**

12 x 2, 5 hole, 6000 lb.

Also available as **023-105-09**, LH 9-hole.

Also available as **023-106-09**, RH 9-hole.

**NEW VERSION OF K23-105/106**

**Part No. K23-450-00 (LH)**

**Part No. K23-451-00 (RH)**

12-1/4 x 3-3/8, 9-10000 lb.

**Part No. K23-180-00 (LH)**

**Part No. K23-181-00 (RH)**

12 x 2, 7000 lb.

**NEW VERSION OF K23-180/181**

**Part No. K23-458-00 (LH)**

**Part No. K23-459-00 (RH)**

12 x 2, 5200 lb. Nev-R-Adjust™

CSA brake assembly

**Part No. K23-047-00 (LH)**

**Part No. K23-048-00 (RH)**

7 X 1-1/4, 2000 lb.

**Part No. K23-428-00 (LH)**

**Part No. K23-429-00 (RH)**

12-1/4 x 2-1/2, 7200 lb.

Manual adjust.

**Part No. K23-434-00 (LH)**

**Part No. K23-435-00 (RH)**

12-1/4 x 3-3/8, 4 hole, 8000 lb.

**Part No. K23-438-00 (LH)**

**Part No. K23-439-00 (RH)**

12-1/4 x 4, 10000 lb.

**Part No. K23-442-00 (LH)**

**Part No. K23-443-00 (RH)**

12-1/4 x 5, 12000 lb.

FSA brake assembly

**Part No. K23-446-00 (LH)**

**Part No. K23-447-00 (RH)**

12-1/4 x 5, 15000 lb.

**Part No. K23-464-00 (LH)**

**Part No. K23-465-00 (RH)**

12 x 2, 7000 lb. Nev-R-Adjust™



## DEXTER BRAKE ASSEMBLIES - HYDRAULIC

**Part No. K23-312-00 (LH)**

**Part No. K23-313-00 (RH)**

10" x 2-1/4", uni-servo, 3500 lb.

**Part No. K23-342-00 (LH)**

**Part No. K23-343-00 (RH)**

12" x 2", free backing, 7000 lb.

**Part No. K23-344-00 (LH)**

**Part No. K23-345-00 (RH)**

10 X 2-1/4 free backing, 3500 lb.



**DEXTER BRAKE DRUMS, BRAKE SHOES, AND HUBCAPS****DRUMS****Part No. 009-027-01**

12.25 X 4, 8 hole, 7.5 bolt circle, 10,000 lb.

**Part No. 009-028-01**

12.25 X 5, 8 hole, 7.5 bolt circle. 12-15,000 lb.

**Part No. 009-044-01**

12.25 X 3-3/8 , 8 hole, 9-10,000 lb.

**BRAKE SHOE & LINING KITS****Part No. K71-047-00**

For 10 x 2-1/4 electric. 3500 lb.

**Part No. K71-048-00**

For 12 x 2 DXQ 5200 CSA.

**Part No. K71-049-00 (LH)****Part No. K71-050-00 (RH)**

For 12-1/4 x 3-3/8, 8-10,000 GD. Electric.

**Part No. K71-127-00**

For 12 x 2 6000-7000 lb CSA. Electric.

**Part No. K71-165-00 (LH)****Part No. K71-166-00 (RH)**

For 12-1/4 x 3-3/8 8-10,000 GD. Hydraulic.

**Part No. K71-498-00 (LH)****Part No. K71-499-00 (RH)**

For 12-1/4 x 3-3/8, 8-10,000 GD. Electric.

Cast backing plate as of 04/00.

**Part No. K71-500-00 (LH)****Part No. K71-501-00 (RH)**

For 12-1/4 x 4. Electric. 10,000 lb. HD.

Cast backing plate as of 04/00.

**BRAKE SHOE & LINING****Part No. 040-164-01**

12.25 X 4, Air.

**Part No. 040-321-01 (4700)**

12.25 X 4, Air PQ, 10, 000 lb.

**Part No. 040-322-01 (4661FC)**

12.25 X 5, Air PQ, 12-15, 000 lb.

**HUBCAP KITS****Part No. K71-038-00**Oil cap-O-Ring and Plug kit,  
6-8,000 lb screw-in and 9,000 lb prior to 10/89.**Part No. K71-148-00**Oil cap, O-Ring and Plug kit, 10-15,000 lb  
screw-in and 9,000 lb after 10/89.**Part No.  
046-032-00**

Plug for Oil Cap..

**Part No. K71-315-00**Grease cap and plug kit for 7", 10"x1.5"  
& 10"x2-1/4" hub, E-Z Lube® Chrome.**Part No.  
010-050-00**

3.734 i.d. x .139

**O-Ring.****Part No. K71-317-00**Grease cap and plug kit for 12"x2" hub,  
5 and 6 bolt. E-Z Lube®. Chrome.**Part No. K71-319-00**

12 x 2. 8 bolt. E-Z Lube®. Chrome.

**Part No. K71-320-00**

E-Z Lube® Plug only

**Part No. K71-704-00**Oil Cap, 9000-10,000lb,  
with Oring and Plug.  
After 07/09.**Part No. 021-001-00**Grease Cap for 12" x 2 hub  
with 4, 5, 6 bolt. 2.45 O.D.**Part No. 021-003-00**Grease Cap for 7", 10 x 1-1/2",  
10 x 2-1/4" hub. 1.99 O.D.**Part No. 021-039-00**

Grease Cap 12" x 2" hub, 8 bolt. 2.72 OD.



Grease Cap - EZ LUBE. Galvanized.

**Part No. 021-041-00 (1.99 OD)****Part No. 021-042-00 (2.45 OD)****Part No. 021-043-00 (2.72 OD)**

Rubber PLUG for EZ LUBE cap.

**Part No. 085-001-00**



## DEXTER MAGNET KITS, CYLINDERS, SUSPENSION PARTS & MISC.

### **MAGNET KITS**

#### **Part No. K71-104-00**

For 10 x 2-1/4. Green Wire.



#### **Part No. K71-105-00**

For 12 x 2 6,000 lb. White Wire.

#### **Part No. K71-125-00**

For 12 x 2 7,000 lb. Black Wire.

#### **Part No. K71-375-00 (white wire)**

For 12-1/4 x 3-3/8 8,000 lb.  
electric brakes (after 6/92)

Used with actuating lever kit  
047-123-06 or 047-123-05.



#### **Part No. K71-376-00 (yellow wire)**

For 12-1/4 x 3-3/8 9-10,000 lb.  
or 12-1/4 x 4 10,000 lb.  
electric brakes (after 6/92)

Used with actuating lever kit  
047-123-06 or 047-123-05.



#### **Part No. K71-378-00 (blue wire)**

For 12-1/4 x 5 15,000 lb.  
electric brakes (after 6/92)

Used with actuating lever kit  
047-123-24 or 047-123-23.



#### **Part No. 027-050-00**

Magnet retainer clip, 10-15,000 lb.



#### **Part No. 027-009-00**

Magnet retainer clip.



### **BRAKE SPRING KITS / ADJUSTING SCREWS**

#### **Part No. K71-324-00**

Adjusting screw and spring for  
10-1/4 x 1-1/2 and 10-2-1/4 hydraulic  
and electric, and 12 x 2 electric brakes.



#### **Part No. 043-004-00 (Adjusting screw only)**

#### **Part No. K71-411-00**

Adjusting screw and spring for  
12-1/4 x 2-1/2 electric brakes  
and all 12-1/4 manual adjust brakes.



#### **Part No. K71-363-00**

Brake adjuster kit for one  
10 x 2-1/4, 12 x 2  
electric brakes  
without parking feature.



#### **Part No. K71-418-00**

Brake adjuster kit for one  
12-1/4 x 3-3/8, 12-1/4 x 4  
and 12-1/4x5 electric brake  
with stamped backing plate.



#### **Part No. K71-421-00**

Brake spring kit for one  
12-1/4 x 3-3/8, 12-1/4 x 4  
and 12-1/4 x 5 electric brake  
with stamped backing plate.



#### **Part No. K71-506-00**

Brake spring kit for one  
12-1/4 x 3-3/8, 12-1/4 x 4  
and 12-1/4 x 5 electric brake  
with cast backing plate.



**DEXTER SUSPENSION PARTS & MISC.****SUSPENSION KITS****Part No. K71-365-00**

Equalizer kit for  
2" wide slipper springs  
for 33.5" axle spacing.  
(Interchange No. A/P-202-00)

**Part No. K71-401-00**

Suspension kit for 1-3/4"  
wide double eye springs,  
tandem axles.  
(Interchange No. A/P-223-00)

**Part No. K71-403-00**

Suspension kit for 1-3/4"  
wide double eye springs,  
single axles. (Interchange No. A/P-122-00)

**HANGER KITS****Part No. HGR-104-10**

Single hanger kit, boxed, 2000 lb - 7200 lbs.  
for use with double eye springs.

**Part No. HGR-202-10**

Tandem hanger kit, boxed, 3500 lb - 7200 lbs.  
for use with slipper springs.

**Part No. HGR-248-10**

Tandem hanger kit, boxed, 2000 lb - 7200 lbs.  
for use with double eye springs.

**EQUALIZER****Part No. 013-122-02**

Equalizer, 3500 lb.  
35" axle spacing.

**Part No.****006-007-01**

9/16" Hex Lock Nut.

**Part No.****006-111-00**

7/8" Equalizer Nut.

**Part No. 014-077-00**

Bushing, used spring eye  
and equalizer. 1.74" long,  
.575" ID. .698" OD.

**Part No. 003-042-00**

Spring Seat, 6000 lb, for 3" tube.

**Part No. 003-043-00**

Spring Seat, 6000 lb, for 2-3/8" tube.

**U-BOLTS****Part No. 011-017-00**

3" round x 6.63"  
1/2-20, 6000 lb.

**Part No. 011-018-00**

3" round x 7.00"  
1/2-20, 6000 lb.

**Part No. 011-021-00**

2-3/8" round x 5.5"  
1/2-20, 3500 lb.

**Part No. 011-054-00**

1.75" round x 4.5"  
3/8-24, 2000 lb.

**Part No. 011-074-00**

2-3/8" round x 5.00"  
7/16-20, 3000 lb.

**Part No.****006-026-00**

1/2" nut for Ubolt.

**TIE PLATES****Part No. 012-001-00**

6000 lb, 3" tube, 1-3/4" springs.

**Part No. 012-002-00**

6000 lb, 3" tube, 2" double eye springs.

**Part No. 012-040-00**

2000 lb, 1.75" tube, 1-3/4" springs.

**Part No. 012-051-00**

3500 lb, 2-3/8" tube 1-3/4" springs.

**SHACKLE LINKS****Part No. 018-011-01**

"Short" 2-1/4" center to center of holes.

**Part No. 018-012-01**

"Long" 3-1/8" center to center of holes.


**DEXTER TORFLEX ORDER FORM FOR AXLES 600 LB TO 10,000 LB**
**TORFLEX AXLE ORDER FORM FOR AXLES 600 TO 10K HD.**
**Axle Capacity:** \_\_\_\_\_

**Hub Face:** \_\_\_\_\_

**Outside Bracket:** \_\_\_\_\_


|                |      |          |            |           |              |           |
|----------------|------|----------|------------|-----------|--------------|-----------|
| <b>Brakes:</b> | Yes: | Electric | Hydraulic: | Uni-Servo | Free Backing | Duo-Servo |
|                | No:  | Flange   | No Flange  |           |              |           |

|                      |        |         |            |     |
|----------------------|--------|---------|------------|-----|
| <b>Spindle Type:</b> | Grease | EZ Lube | Nev-r-lube | Oil |
|----------------------|--------|---------|------------|-----|

|                      |           |   |   |
|----------------------|-----------|---|---|
| <b>Bolt Pattern:</b> | 4 on 4.50 | 4 on 4.50<br>(5.5 dia idler)<br>(6.5 dia idler) | 5 on 4.75   |
|                      | 5 on 5.00 | 6 on 5.50                                       | 8 on 6.50<br>Stud size 8 on 6.5 only<br>1/2" 5/8" 9/16" |

|                            |           |         |
|----------------------------|-----------|---------|
| <b>Start Angle Degree:</b> | 45 down   | Zero    |
|                            | 32 down   | 10 up   |
|                            | 22.5 down | 22.5 up |
|                            | 10 down   |         |

|                             |            |            |               |
|-----------------------------|------------|------------|---------------|
| <b>Bracket Orientation:</b> | LP STD (I) | HP STD (I) | 3" HP STD (I) |
|                             | LP REV (O) | HP REV (O) | 3" HP STD (O) |

|                             |            |           |
|-----------------------------|------------|-----------|
| <b>Attaching Parts Kit:</b> | Side Mount | Top Mount |
|-----------------------------|------------|-----------|

-From Dexter- "Return Policy"

If due to a customer error....

Dexter generally does not accept return of axles and/or beam assemblies unless a special restocking charge has been agreed upon. The standard restocking charge for these items is 50%. Axles and beams are items that have been custom made to a specific order. This potentially, results in many components being scrapped. The customer will be responsible for freight incurred for the return.



**DEXTER SPRING AXLE ORDER FORM FOR AXLES 2,000 LB TO 8000 LB**

**SPRING AXLE ORDER FORM FOR AXLES 2K THROUGH 8K**

**Axle Capacity:** \_\_\_\_\_

**Hub Face:** \_\_\_\_\_

**Spring Center:** \_\_\_\_\_



|                |      |          |            |           |              |           |
|----------------|------|----------|------------|-----------|--------------|-----------|
| <b>Brakes:</b> | Yes: | Electric | Hydraulic: | Uni-Servo | Free Backing | Duo-Servo |
|                | No:  | Flange   | No Flange  |           |              |           |

|                      |          |         |  |
|----------------------|----------|---------|--|
| <b>Spindle Type:</b> | Straight | 4" Drop | 6" Drop  |
|                      | Grease   | EZ Lube | Nev-r-lube (straight only)<br>Cartridge size of Nev-R-Lube |

**Bolt Pattern:**

**Hub Size (Idler 2k)**

|                |      |                     |           |
|----------------|------|---------------------|-----------|
| <b>Spring:</b> | Yes: | Double Eye: Length: | Capacity: |
|                | No:  | Slipper: Length:    | Capacity: |

|                      |      |       |                                   |
|----------------------|------|-------|-----------------------------------|
| <b>Spring Mount:</b> | Over | Under | Seats Loose 1.75" wide<br>2" wide |
|----------------------|------|-------|-----------------------------------|

**Hanger Kit:**

**Attaching Parts Kit:**

-From Dexter- "Return Policy"

If due to a customer error....

Dexter generally does not accept return of axles and/or beam assemblies unless a special restocking charge has been agreed upon. The standard restocking charge for these items is 50%. Axles and beams are items that have been custom made to a specific order. This potentially, results in many components being scrapped. The customer will be responsible for freight incurred for the return.





**DEXTER HEAVY DUTY AXLE ORDER FORM 20,000 LB TO 25,000 LB**

Dexter Heavy Duty Axle Order Form 20,000 lb - 25,000 lb.

Axle Capacity: 1/2" Wall 5/8" Wall 3/4" Wall

Track Width: \_\_\_\_\_

Spring Center: \_\_\_\_\_



Air Brakes: 12-1/4x7-1/2 16-1/2x7 None

Hubs: 3 spoke 5-spoke 10 hole inboard 10 hole outboard 8 hole outboard None

Hub piloted option: yes no

Spindle type: Grease or Oil

Air Chambers: T30 service or 30/30 complete or None

Cam Length: Standard \_\_\_\_\_ or Other \_\_\_\_\_

Slack adjuster: Manual or Automatic or None

Abs: Complete (sensors, blocks, tone rings) or Sensor blocks w/ sensors or Blocks only

Dust shields: yes or no

-From Dexter- "Return Policy"

If due to a customer error.... Dexter generally does not accept return of axles and/or beam assemblies unless a special restocking charge has been agreed upon. The standard restocking charge for these items is 50%. Axles and beams are items that have been custom made to a specific order. This potentially, results in many components being scrapped. The customer will be responsible for freight incurred for the return.





## DEXTER AXLE WHEEL END

### **SPINDLE**

#### **Part No. 002-161-22**

2600 lb, spindle only.  
EZ LUBE and FLGD.



#### **Part No. 005-004-00**

Lock washer - 3/8"

#### **Part No. 005-008-00**

Lock washer - 7/16"

#### **Part No. 005-023-00**

Spindle washer, 1" OD  
EZ-LUBE Axles.

#### **Part No. 005-027-00**

Spindle washer - 1" ID

#### **Part No. 005-057-00**

Spindle washer - D - 1" x 2"

#### **Part No. 005-059-00**

Tang washer - 1-3/4"

#### **Part No. 005-071-00**

Tang washer, 1-1/2"

#### **Part No. 005-101-00**

Spindle washer EZ LUBE

#### **Part No. 006-005-00**

Spoke hub nut - 9/16"

#### **Part No. 006-010-00**

Lock nut - 3/8"-24

#### **Part No. 006-017-00**

Lock nut - 7/16"-20

#### **Part No. 006-026-00**

Lock nut - 1/2"-20

#### **Part No. 006-053-00**

Wheel nut 5/8-18.

#### **Part No. 006-058-00**

Flanged wheel nut 5/8-18.

#### **Part No. 006-080-00**

Lug nut, 1/2" RV taper

#### **Part No. 006-092-01**

Flanged shackle nut 7/16"-20

#### **Part No. 006-109-00**

Wheel nut 5/8 x 1.06 Hex

#### **Part No. 006-113-00**

Lock nut 3/4"-10 Hex.

#### **Part No. 006-176-00**

Slotted spindle jam nut

#### **Part No. 006-190-00**

Retainer clip, use w/191 nut

#### **Part No. 006-191-00**

Spindle nut, use w/190 clip

#### **Part No. 007-115-00**

Wheel stud 3.16 x 5/8"

#### **Part No. 007-122-00**

Wheel Stud 1/2-20 x 1.99

#### **Part No. 007-126-00**

Shackle bolt

#### **Part No. 007-132-00**

Wheel Stud 9/16"-18 x 2.30

#### **Part No. 007-244-00**

Flange screw, 1/2"-13x1.75

#### **Part No. 007-262-00**

Wheel Stud 1/2-20" x 2-1/2"

#### **Part No. 009-002-00**

Cotter pin - 1/8" x 1.75

#### **Part No. 015-002-00**

Rim Clamp

#### **Part No. 033-052-01**

Wheel clamp plate,  
9000 lb-12,000 lb.



## LIGHT DUTY TRAILER/TRUCK PRODUCTS

**Part No. BH82000**

Combo Hitch & Hook  
w/ 2" Forged steel ball  
16,000 lb. max weight.

**Part No. BH82516**

Combo Hitch & Hook  
w/ 2-5/16" Forged steel ball 16,000 lb. max weight.

**Part No. 1802005**

Hitch ball. Chrome. 2" ball diameter.  
1" shank diameter. 2-1/8" shank length.  
M.G.T.W. 5,000 lbs.

**Part No. 0091065**

Coupler, 2" ball x 3" channel.  
3,500 lb max weight.

**Part No. 0090100**

Coupler, 2-5/16" adjustable coupler only  
12,000 lb max weight.

**Part No. PH20**

20-ton pintle hook. Drop forged steel.  
Black powder coat. 40,000 lb max weight.  
Drawbar eye specs-2"-3" I.D. with  
1-1/4"-1-5/8" diameter section.

**Part No. PM87**

Pintle Hook Mount. Continuous welds.  
Black powder coat finish.  
High and Low positioning.

**Part No. RT28510**

Receiver tube. 2" id x 10". Plain finish.  
Cast steel collar. 5/8" hitch pin hole.

**Part No. B23-DRING**

Light-Duty surface mount rope ring.  
Zinc plated. 1/4" welded D-ring with  
14 ga. steel clip. 1/4" mounting holes.  
400 lbs WLL and 1200 ultimate breaking strength.



**D-RINGS:** (Note: Not for overhead use.) 2-pc.

**Part No. B38W** 1/2" diameter ring.

2-1/2"x2-3/8" 4,080 lb safe working load

**Part No. B40** 5/8" diameter ring.

3"x 3" 6,130 lb safe working load

**Part No. B46** 3/4" diameter ring.

3"x 3" 9,120 lb safe working load

**Part No. B48** 1" diameter ring.

3"x 3" 15,586 lb safe working load

**Part No. B50-DRING** 1" diameter ring.

4"x 3" 15,586 lb safe working load

**Part No. B16137**

Adjustable Eye Only.  
3" I.D., 2" mounting.

**Part No. B18135**

Adjustable eye assembly with  
5-position setting. 3" channel.  
2000 lb M.V.I. , 12000 lb M.G.T.W.

**Part No. B03835SC**

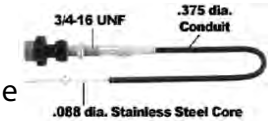
Safety Chain w/ hook  
10,000 lb. max, 3/8" X 35"

**Part No. BSC3835**

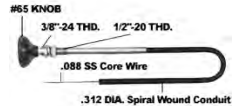
Safety Chain w/ hook  
15,000 lb max, 3/8" X 35"

**Part No. VCGTX10** (10 ft.)

Vernier heavy-duty adjustable  
locking control cables.

**Part No. RO5B5X10** (10 ft.)

Travel control cables, 5"

**Part No. TGL3410ST**

Tailgate latch assembly with  
forged rod end and bracket.

**Part No. TGL3410**

Has aluminum rod end and bracket.

**Part No. B2373C**

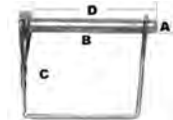
Stake Pocket, straight, 1/4" steel,  
weld-on. 3-1/2" x 1-3/4" id. 4" depth.

**Part No. SH675SS**

Stainless Steel Shovel holder.

**Part No. 66064**

Snapper Pin A=1/4",B=2-1/2",  
C=2-1/2", D=2-49/64"

**Part No. HP6253WC**

Hitch Pin - Zinc plated with  
hairpin cotter. 5/8" x 4" Fits 2" receiver.

fits 6-1/2" oval

**Part No. LB383**

Light Box. Black powder coat.

**Part No. HPGS100**

Stem mount Gauge, 0-100 psi.  
Glycerin filled, 2-1/2" diameter.



**Part No. HPGS200** 0-200 psi.



## TEKONSHA PRODUCTS

### Part No. 90885

Prodigy® P2 electronic brake controller for 1 to 4 axle trailers. Proportional. Limited Lifetime Warranty.



### Part No. 9030

Voyager® Electronic Brake Control 2 to 8 axle systems. "The best valve you will find for smooth and secure trailer braking. 5 year Limited Warranty.



### Part No. 90160

Primus®IQ Electronic Brake Control 2 to 6 Axle Systems. It works proportionally in reverse for backing into tough spots. Digital readout. LED display. Plug and play port for 2-plug adapters.



### Part No. 5500

Draw-Tite® Activator® II electronic brake controller for 1 to 4 axle trailers. Timed actuated. Digital output indicator. Thumb wheel output adjustment. "Up-front: manual override control. Overload indicator. Mounting hardware included. Plug and Play feature.



### Part No. 2024-07

Maintenance Charger DC to DC 12 volt. Provides maintenance-free assurance that breakaway batteries are always fully charged. Auto shut off to prevent overcharging.



### Part No. 2051 Battery Case

Quick, easy four-bolt installation on any flat surface. For use with self tapping screws or similar fasteners. Lockable heavy duty rust-proof polymer case protects battery and charger from elements and corrosion.



### Part No. 2009-A

Cable and Pin replacement for 2009 switch.



### Part No. 2009-P

Breakaway Switch, Metal.



### Part No. 2010-A

Cable and Pin replacement for 2010 switch.



### Part No. 2010-P

Breakaway switch with forced nylon case. Weldable metal tab and coated 48" lanyard. Rust and corrosion-free assures long life. Silver contact points remain corrosion-free for positive contact. Nylon pull pin can't freeze up — assures positive actuation.



### Part No. 2023X

Battery for 2028Kit. 12v, 5-Amp/hour sealed lead acid battery for use with Shur Set III Breakaway Systems on single, tandem trailers equipped with electric brakes. Battery requires periodic recharging to maintain optimum performance.



### Part No. 20015 Breakaway Kit

Includes 2051 Lockable All Polymer Battery Case with Flat Surface Mounting; 2023 Rechargeable Sealed 12v 5-Amp/hr Lead Acid Battery And Terminals; 2024 DC-to-DC Heavy Duty Quick / Maintenance (Two Stage) Battery Charger; 2010 Nylon Breakaway Switch.



### Part No. 2028

Break Away Kit for Single and Tandem Trailers. **Includes:** Battery Case w/ mounting bracket, 2023X sealed 12V-5 Amp battery, 2024 DC-DC maintenance battery charger, 2130 Nylon breakaway switch.



**HAMMERBLOW PRODUCTS - BULLDOG LEGS AND COUPLERS****Part No.182400**

Drop Leg Jack. 12,000 lb. rating  
Direct Weld Mount.  
Standard Disc Foot  
12.5" of Travel.

**Part No.182800**

Drop Leg Jack with Spring Return  
12,000 lb. rating. Direct Weld Mount  
Standard Disc Foot. 12.5" of Travel.

**Part No.190704**

Top Wind Jack. 7000 lb. rating  
Direct Weld Mount. 15" of Travel.

**Part No.190754**

Side Wind Jack. 7000 lb. rating  
Direct Weld Mount Drop Leg. 15" of Travel.

**Part No.158109**

Side Wind Swivel Jack, round.  
2000 lb. rating. 10" Travel  
Weld on Tubular mount included.

**Part No.158151** 15" travel**Part No.158452**

Top Wind Swivel Jack, round.  
2000 lb. rating. 15" Travel  
Weld on Tubular mount included.

**Part No.151401**

Top Wind Swivel Jack, round.  
2000 lb. rating. 10" Travel  
Weld on retaining ring swivel included.

**Part No.151101**

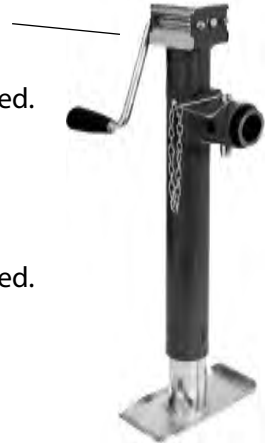
Side Wind Swivel Jack, round.  
2000 lb. rating. 10" Travel  
Weld on retaining ring swivel included.

**Part No. 1701480317  
(170150)**

Top Wind Swivel Jack, round.  
5000 lb. rating. 15" Travel  
No foot, no mount, painted outer tube, zinc inner.

**Part No.178203**

Side Wind Swivel Jack, round.  
5000 lb. rating. 15" Travel  
Weld on Tubular mount included.

**Part No.198250**

Side Wind Swivel Jack, round.  
7000 lb. rating. 15" Travel  
Weld on Tubular mount included.

**Part No.178151**

Top Wind Swivel Jack, round.  
5000 lb. rating. 15" Travel  
Weld on Tubular mount included.

**Part No.178101**

Top Wind Swivel Jack, round.  
5000 lb. rating. 10" Travel  
Weld on Tubular mount included.

**Part No.1750290317**

Top Wind A-Frame, round.  
12.2" bracket to ground retracted.  
5000 lb. rating. 15" Travel  
Weld-on/bolt-on bracket.  
Less wheel or base.

**Part No.175000**

12.25" bracket to ground retracted.

**Part No.018173**

Detachable Disc Foot, 150 series.

**COLLAR-LOK™ COUPLERS****Part No.028382**

Coupler, 2" ball size. Tongue mount  
width 3". Straight channel, 5,000 lbs.

**Part No.028462**

Coupler, 2-5/16" ball size. Tongue mount  
width 3". Straight channel, 12,500 lbs.

**Part No. XP100301**

Marine and recreational Jack.  
1200 lbs. Swing-away. Bolt on.  
Steel construction.  
10" travel. 6" poly wheel.





**BENDIX DISC BRAKE PAD SETS**



**PREMIUM OEM - Disc Brake Pads**



•Disc Brakes Are Not Interchangeable Like Drum Brakes.

- One set services one axle
- Long service life
- Resistance to noise and kind to rotors.
- Proven stopping performance
- Superior friction attachment



Formula Blue™ medium-duty pads are available in both Heavy Duty grade – where maximum service life is essential – and Premium formulations, where quiet running is a must.

**Part No. E10901840**

**(BD184BX108) (E-D380-V)**  
GMC, Ford, International. '79-'03  
2.60 Bendix Calipers.



**Part No. E10902240**

**(BD224BX108) (E-D224-V)**



**Part No. MKD769PREM**

Chevrolet, C4500 & C5500. '03-'05



**Part No. E10907860**

**(BD786BX108) (E-D786-V)**



**Part No. E10902250**

**(BD225BX108) (E-D225-V)**



**Part No. MKD786 (E-D786-S)**

GMC, Ford, International.  
(multi-years)  
Bosch-Pin slider 73mm.

**Part No. MK225PREM (E-D225-S)**

GMC, Ford, International. '90-'04  
2.88 Bendix Calipers.

**Part No. E10907861**

**(BD786ABX108)**



**Part No. E10902360**

**(BD236BX108) (E-D236-V)**  
GMC, Ford, International. ('84-'95)  
2.88 Bendix Calipers.



**Part No. MKD786A (E-D786A-S)**

Bosch-Pin slider 66mm.



**BENDIX SEVERE DUTY DISC PADS**

**SEVERE DUTY PADS FOR HYDRAULIC DISC BRAKES**

Engineered for superior stopping, high fade resistance, and long life. Formulated for school bus and other severe use vehicles.

|                               |       |                             |      |
|-------------------------------|-------|-----------------------------|------|
| Typical Frictional Properties |       | Typical Physical Properties |      |
| SAE J661a                     |       | Gogan Hardness              | 27   |
| Normal Friction               | 0.330 | Specific Gravity            | 3.10 |
| Hot Friction                  | 0.316 | Flexural Strength (Average) |      |
| 400° F Wear Friction          | 0.330 |                             |      |



|                  |  |
|------------------|--|
| <b>Part No.</b>  | <b>Application</b>                           |
| <b>E10901840</b> | Bendix 2.60" Twin Piston (1st & 2nd designs) |
| <b>E10902250</b> | Bendix 2.88" Twin Piston (1st & 2nd designs) |
| <b>E10602240</b> | Dayton 2.50" Twin Piston                     |
| <b>E10902360</b> | Dayton 2.88" Twin Piston                     |





**LONG STROKE BRAKE CHAMBER INFORMATION**

**Long Stroke Brake Chambers**

Watch your brake chambers!

Most new vehicles are now being equipped with long-stroke brake chambers.

This allows more stroke than older models.

You will find clamp type 16 and clamp type 20 long stroke chambers on the steering axles and clamp type 24 and clamp type 30 long stroke chambers on other axles.

Some of the type 30 chambers allow a three-inch stroke.

A long stroke brake chamber can be identified by the raised inlets, embossed etching on the side of the chamber and/or a trapezoidal shaped I.D. tag indicating long stroke, and the maximum stroke allowed.

The key advantage of the extra stroke available from the actuator's unapplied position to full extension, is that it keeps brakes in adjustment longer, reduces out of adjustment citations and improves brake efficiency.

All VENDORS advise to never install long stroke and standard stroke chambers on the same vehicle.

This can cause poor brake balance and timing.

When servicing these brake actuators, it is imperative that strict attention is paid to the components. These chambers have push rod stroke capabilities in excess of the standard 2.25" to 2.5" design.

(They are identified as " Long Stroke"- "LS"-or "3"stroke")

The components are unique, and include the following:

- service diaphragm
- service housing
- service push rod
- complete piggyback

**Long Stroke Brake Chambers Have Square Ports.**



**Long Stroke with Square Ports**



**Standard Stroke with Round Ports**

**Single chambers -service chambers also have the square ports.**



**NEW!** Bendix® EverSure® Air Disc Brake Spring Brake Chamber. Type 18/24, 2.25" stroke, 3/8"-18 NPTF ports. **Part No. K043329**





## SPRING BRAKES - BRAKE CHAMBERS - FLEETCRAFT

### MANY FEATURES make Fleetcraft Spring Brake Chambers durable and long-lasting!

- A patented spring housing seal design.
- Permanently engraved/painted push rod stroke indicator.
- Precision weld push rod and plate attachment.
- A steel w/precision welded hub pressure plate.
- Aluminum die cast center section that is the thickest in the industry.
- A precision ground mirrorplated center piston finish.

Wrap it up with a STRONG Warranty! Made in the U.S.A.



### FLEETCRAFT® SPRING BRAKE CHAMBERS LISTING



| Part No.  | Description  |
|-----------|--|
| 1010447   | 30/30, Less Clevis. 4 year warranty.                                 |
| 1010448   | 30/30, Piggyback chamber. 4 year warranty.                           |
| 1010449   | 30/30, Complete With Clevis. 4 year warranty.                        |
| 1010450   | 24/24, Long stroke, 2.5", Complete less Clevis. 4 year warranty.     |
| 1010451   | 30/30, w/12.5"rod for Intraax, less clevis. 4 year warranty.         |
| 1010452   | 30/30, w/cut shaft 5.75". (7.25" to clevis.) 4 year warranty.        |
| 1010453BX | 3030 piggyback kit, includes clamp and diaphragm.                    |
| 1010456   | 30/30, long stroke - 3", 4 year warranty.                            |
| 1010457BX | 30/30 long stroke piggyback kit, includes clamp and diaphragm.       |
| 1010459   | 30/30, 2.5" stroke, double clamp, tamper resistant. 2 year warranty. |
| 1010460   | 30/30, 2.5" stroke, double clamp, tamper resistant. 2 year warranty. |
| 1010463   | 30/30, 2.5" stroke, double clamp, tamper resistant. 4 year warranty. |



### FLEETCRAFT SERVICE CHAMBERS (Less Clevis)

| Part No. | Description | Stroke |
|----------|-------------|--------|
| 1036120  | TYPE 12     | 1.75"  |
| 1036160  | TYPE 16     | 2.25"  |
| 1036200  | TYPE 20     | 2.50"  |
| 1036240  | TYPE 24     | 2.50"  |
| 1011900  | TYPE 30     | 2.50"  |



WE HAVE THE TYPE 30 SERVICE CHAMBERS AVAILABLE IN DIFFERENT PRE-CUT SHAFT LENGTHS:  
**Part Numbers: 1011901/1011902/1011903.**

### **WARNING!**

Do not attempt to remove or service the spring chamber clamp ring on any spring brake. The large spring in the spring chamber has extreme force which could cause serious bodily injury if it were suddenly released due to inadvertent removal of this clamp.



**HALDEX ACTUATORS (SPRING BRAKES - BRAKE CHAMBERS)**

Haldex GOLD SEAL® is guaranteed with a **four-year, unlimited mileage warranty coverage\***. All the design features and benefits of GOLD SEAL® add up to save you time and money by reducing your maintenance and downtime expenses. \*See Haldex Warranty Policy Number L20221 for details.



**GOLD SEAL® ACTUATORS**

**HALDEX GOLD SEAL® SPRING BRAKE CHAMBERS**

| Part No. | Description                         |
|----------|-------------------------------------|
| GC2424   | Type 24/24                          |
| GC2430   | Type 24/30                          |
| GC3030   | Type 30/30                          |
| GC3030S4 | Type 30/30 w/12.5" rod for INTRAAX® |
| GC3036   | Type 30/36                          |
| GC3636   | Type 36/36                          |



**HALDEX GOLD SEAL® PIGGYBACK CHAMBERS**

| Part No. | Description                       |
|----------|-----------------------------------|
| GP2424   | Type 24/24 GP Gold Seal Piggyback |
| GP2430   | Type 24/30 GP Gold Seal Piggyback |
| GP3030   | Type 30/30 GP Gold Seal Piggyback |
| GP3036   | Type 30/36 GP Gold Seal Piggyback |

**PIGGYBACK KITS:**

**Kits Include Piggyback, diaphragm and clamp kit**

| Part No. | Description                            |
|----------|--|
| GP3030K  | Gold Seal® 3030Piggyback Kit.          |
| GP3030LK | Gold Seal® Long stroke 3030 Piggy Kit. |
| LP3030K  | Life Seal® 3030Piggyback Kit.          |
| LP3030LK | Life Seal® Long stroke 3030 Piggy Kit. |

**HALDEX GOLD SEAL®**

**LONG STROKE SPRING BRAKE CHAMBERS**

| Part No. | Description                    |
|----------|--------------------------------|
| GC2430L  | Long Stroke Chamber Type 24/30 |
| GC3030L  | Long Stroke Chamber Type 30/30 |

**HALDEX GOLD SEAL®**

**PIGGYBACK LONG STROKE CHAMBERS**

| Part No. | Description                       |
|----------|-----------------------------------|
| GP3030L  | Long Stroke Piggyback, TYPE 30/30 |

**LIFE-SEAL® is the only actuator to maximize output force over an extended period.**

A unique patented power spring maintains high output force while increasing strength. The center tube guides the form-fit pressure plate, which stabilizes the spring coil through the full range of travel. This prevents contact with the spring housing and dramatically reduces coil clash. **With the advanced technology of Life Seal, Haldex offers the first, six-year, million-mile warranty.**

\*See Haldex Warranty Policy Number L20221 for details.

**LIFE SEAL® ACTUATORS**

**LIFESEAL™ BRAKE CHAMBERS**

| Part No. | Description                       |
|----------|-----------------------------------|
| LC3030   | Type 30/30, Less Clevis           |
| LC3030L  | 3" Long Stroke Chamber Type 30/30 |



**LIFESEAL™ SEALED PIGGYBACK CHAMBERS**

| Part No. | Description             |
|----------|-------------------------|
| LP3030   | TYPE 30/30              |
| LP3030L  | Long Stroke, TYPE 30/30 |



**HALDEX SERVICE CHAMBERS**

- Fully Threaded Push Rod
- Orange Alert Stroke Indicator
- Piloting Dust Shield

| Part No. | Description | Stroke |
|----------|-------------|--------|
| SC09     | TYPE 9      | 1.75"  |
| SC12     | TYPE 12     | 1.75"  |
| SC16     | TYPE 16     | 2.25"  |
| SC20     | TYPE 20     | 2.25"  |
| SC24     | TYPE 24     | 2.25"  |
| SC24L    | TYPE 24     | 2.50"  |
| SC30     | TYPE 30     | 2.50"  |
| SC36     | TYPE 36     | 3.00"  |



SC09, SC12, SC16, SC20 have Step Housing.



SC24, SC30, SC36 have Flat Housing.

**WARNING!**

Do not attempt to remove or service the spring chamber clamp ring on any spring brake. The large spring in the spring chamber has extreme force which could cause serious bodily injury if it were suddenly released due to inadvertent removal of this clamp.





## MGM SPRING BRAKES

### MGM TR Model "Tamper Resistant"

design prevents accidental disassembly of the power spring housing. All units are furnished with a universal fully threaded rod which must be cut to the correct length.



| Combo   | Piggyback Plus Kit | Size  | Stroke |
|---------|--------------------|-------|--------|
| 3427051 | 3427008            | 2424L | 2.50   |
| 3429051 | 3429008            | 2430L | 2.50   |
| 3430051 | 3430008            | 3030  | 2.50   |

### MGM Model TR-TS Series -( 30/30 combo 2.5" stroke)

"Full Epoxy Coated External Tube Breather System." The power spring chamber is "sealed" against any contaminated and corrosive outside air because 100% of the air drawn in originates from the inside protected area of the service brake chamber. The result is an MGM spring brake that is CORROSION-FREE.



Same for the MGM Model LTR-T Series.

| TR-TS 30/30 Part No. 3531051 (severe svc.) | LTR-T Part No. 3831051 (alum head) | TR-SB Part No. 3431047 (low hold back) |
|--|------------------------------------|--|
|  |                                    |  |

### MGM TR-HD -Heavy Duty power spring.

Part No. 3630051 - 3030 combination - 2.50 stroke

### LTR-LP3 Model

Note: These model sized offered only in combination assemblies with MGM heavy duty weld-reinforced mounting base.



Use these models to replace like (long stroke) brake chambers only.

•Piggyback Plus Kits include piggyback, clampband & service diaphragm. **6-yr. warranty.**

Part No. 3230051 - 3030 combination - 3.00 stroke

Part No. 3230008 - 3030 piggyback kit - 3.00 stroke

**WELDED YOKES - 2.25"**

Part No. 3230951 - 3030 combination - 3.00 stroke.

Part No. 3430951 - 3030 combination - 2.50 stroke

### Part No. 3430551- Special Length Push-Rod, 3030 assembly.

12" dimension from bottom face of service chamber to end of threaded push rod. Push rod diameter 5/8", threaded length 5". (Ex:-For transit, or Intraax suspensions.)



Part No. 3230551 - 30/30, Long Stroke. **10" Push Rod**

For HENDRICKSON® INTRAAX AAT 23K, 25K, 30K



### MGM LTR-L3 -3030

Part No. 3832008 - Piggyback Plus Kit. - 3.00 stroke

Part No. 3832051 - 3030 combination - 3.00 stroke

- Tamper Resistant Design
- Molded Nitrile Rubber Push-Rod Air Seal
- Center Hole Shield
- Six (6) Year Limited Warranty
- Integral Release Bolt
- 360 Aluminum Alloy
- Low Friction Piston & Guide
- Square Port Bosses (Long Stroke Identification)



## MGM SERVICE CHAMBERS & BRAKE CHAMBER COMPONENTS

Part No. 1621901 Type CS20L Stroke 2.50  
Type 20, long stroke, w/ welded clevis. Sealed



Part No. 8017141P Type 24L Stroke 2.25" - 2.50"  
Type 24, long stroke.

Natural rubber blend with nylon fabric reinforcement. Good for extreme cold weather climates down to -65° F.

Part No. 1428001 Type C24L3 Stroke 3.00  
Type 24, long stroke. (1427001 is std. stroke)



Part No. 8017830P Type T30L Stroke 3.00"  
Type 30, long stroke.

Part No. 1431001 Type C30L3 Stroke 3.00  
Type 30, long stroke. (1430001 is std. stroke)



Part No. 8017836P Type T36L Stroke 3.00"  
Type 36, long stroke.



Part No. 9019005P  
Plug Kit for TR, TR-T, sizes 2024, 2424L, 2430L, 3024, 3030, TR-TS, sizes 2424L, 2430L, 3030



Part No. 9081001P  
Breather Tube for 30/30, 30/36 MGM chambers with breather tube





**TSE SPRING BRAKES**



**TSE BRAKE CHAMBERS - MANY CHOICES**

*The leader in spring brake design, innovation, technology, and performance -- worldwide!*

**ALUMILINE Design - Part No. 1010547**

- 3030, 2.5" stroke.
- TSE tooled, tested and backed with confidence.
- Steel spring housing with aluminum center.
- Meets SAE vibration test requirements.
- 2 Year Warranty. Complete less clevis.



**OMNIBRAKE Design - Less Clevis**

**Part No. 3030SN2K** Piggyback Kit-2.5" stroke

**Part No. 3030SN3K** Piggyback Kit-3" stroke

**Part No. 3030TN2** Complete Chamber 2.5" stroke

**Part No. 3030TN3** Complete Chamber 3" stroke

- All steel spring housing and center section.
- TSE patented design completely sealed and tamper-resistant with a unique precision weld.
- Patented silicone double o-rings provide self lubricating center seal.
- 3 Year Warranty. Piggy Back or Complete.

*The TN2 and TN3 are also available for use on Hendrickson Intraax.*

**Part No. 3030TN2-HNTRX**

**Part No. 3030TN3-HNTRX**

- TSE Omnibrake double sealed, 2.5" stroke - **Part No. 3030TL2**



**Ultra Design - Trailer - Welded Clevis**

**Part No. 3030SN3ULK** Piggyback Kit-3.00" stroke

**Part No. 3030TN3UL-2923** 3030 spring brake -3.00" stroke, with fixed clevis.

- Innovative inverted housing design provides longer spring life - 6 Year Warranty.
- Exclusive spring design minimizes inclusions and seams that can cause premature spring failure.



**TSE Spring Brake Components**

**Part No. 1001130**

Plug breather, universal.



**TSE Spring Brake Components**

**Part No. 1011051**

Dust boot assembly.

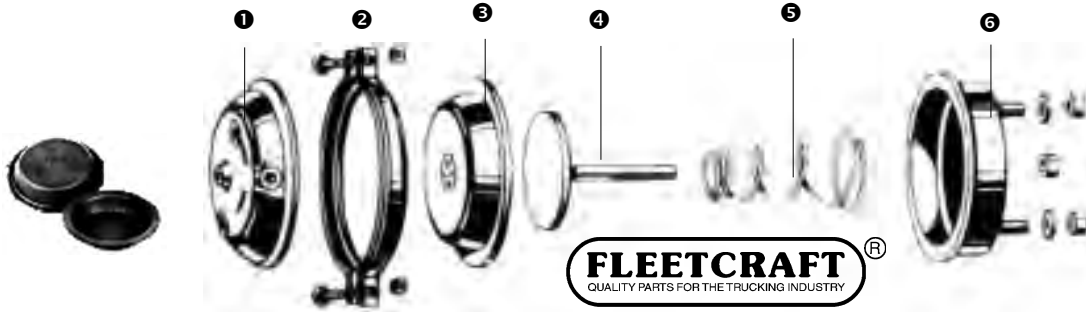
**TSE Spring Brake Components**

**Part No. 1133007**

Dust plug, black, for Ultralife.



**SPRING BRAKE - BRAKE CHAMBER - SERVICE CHAMBER - COMPONENTS**



| Item | PART DESCRIPTION  | CHAMBER SIZE           |         |         |         |         |         |
|------|-------------------|------------------------|---------|---------|---------|---------|---------|
|      |                   | TYPE 9                 | TYPE 12 | TYPE 16 | TYPE 20 | TYPE 24 | TYPE 30 |
|      |                   | COMPONENT PART NUMBERS |         |         |         |         |         |
| 1    | Cover Assembly    |                        |         |         |         | 1036242 | 1036302 |
| 2    | Clamp Band Kit    | CB09                   | CB12    | CB16    | CB20    | 1019248 | 1019308 |
| 3    | Diaphragm         | 1018090                | 1018120 | 1018160 | 1018200 | 1018240 | 1018300 |
| 4    | Push Rod Assembly |                        |         |         |         | 1036241 | 1036301 |
| 5    | Return Spring     |                        |         |         |         |         | 1036304 |
| 6    | Non-Pressure Body |                        |         |         |         | 1036243 | 1036303 |

**HALDEX Diaphragms available:**

**Part No. DP24L** Diaphragm type 24  
2.25" & 2.50" stroke.

**Part No. DP30** Diaphragm type 30  
2.50" stroke.

**Part No. DP30L** Diaphragm type 30  
3.00" stroke.

**DUST BOOT**

Plate and rubber boot for chambers with 3 3/4" mounting centers (Type 20, 24, 30 & 36). Protects inside of service chamber.

**Part No. 11M034**



**DUST PLUG FOR 30/30**

spring brakes

**Part No. 1036305**



**AIR CHAMBER Bolt and Nut Assembly**

**Part No. NL1133**

3/8"-16 X 2 3/16".

**Part No. HW5 (5/8" Jam Nut)**

Interchange numbers

11M052 Bolt, 11M051 Nut, 9003001



**CAGING BOLT PLUG**

For All Haldex Gold Seal Chambers except type 36.

**Part No. RTP1**



**Part No. RTP2**

(Midland Style)



**YOKE ASSEMBLIES - FORGED**

| PART No. | PIN SIZE | LENGTH | THREAD  | CHAMBER  |
|----------|----------|--------|---------|----------|
|          |          |        |         | SIZE     |
| 1036450  | 1/2"     | 1.88"  | 1/2"-20 | 12,16,20 |
| 1036470  | 1/2"     | 1.88"  | 5/8"-18 | 20,24,30 |
| CF1      | 1/2"     | 1.81"  | 1/2"-20 | 9,12,16  |
| CF3      | 5/8"     | 2.50"  | 5/8"-18 | 20,24,30 |

**Part No. CB30S1**

Clamp Band Assembly  
Type 30, Black.



**CLEVIS PINS**

1/2" Pin

**Part No. 19100**

5/8" Pin

**Part No. CP2**



**Part No. 1F-316**  
Cotter Pin

**SPRING BRAKE**

**RELEASE STUD ASSEMBLY**

For all spring brakes except

36 series. **Part No. RT1**

Just the bolt: **Part No. 10043**



**Universal Bracket**

for 5 Inch Round Axles  
5/16" thick.

Used with spring brakes.

**Part No. S31159**

Interchange Numbers

2-139, E2518A, NL1120



**Universal Bracket**

for 5 Inch Round Axles  
5/16" thick.

Used with spring brakes.

**Part No. E-631**



**Universal Bracket**

for Meritor 5 Inch  
Round Axles.

Spring brake mounting.

**Part No. 3299A5981**

(E2681A)



**Fruehauf "Pro-Par" Axle**

with 16-1/2" Brakes.

Allows use of 5-1/2"

or 6" Slack Adjusters.

Sold as Set Only.

Spring brake mounting.

**Part No. E-3781**





## MANUAL SLACK ADJUSTERS

### FLEETCRAFT STRAIGHT ARM MANUAL SLACKS

Forged Steel, Maximum torque 26,000 lbs.  
Press-out bushings installed for 1/2" clevis pins.



| Part No.       | Dia.  | Spline/Teeth | Arm Length       | Interchange Info |
|----------------|-------|--------------|------------------|------------------|
| <b>1010800</b> | 1.50" | 10           | 5.0", 6.0", 7.0" | KN47001, 278323  |
| <b>1010801</b> | 1.50" | 10           | 5.5", 6.5"       | KN47011, 278326  |
| <b>1010802</b> | 1.50" | 28           | 5.5", 6.5"       | KN44061, 288753  |
| <b>1010803</b> | 1.60" | 37           | 6.0"             | KN44041, 283411  |
| <b>1010804</b> | 1.50" | 28           | 5.0", 6.0"       | KN44051, 286965  |



### HALDEX STRAIGHT ARM MANUAL SLACKS

Forged Steel, Maximum torque 26,000 lbs.  
Press-out bushings installed for 1/2" clevis pins.



| Part No.       | Dia.  | Spline/Teeth | Arm Length | Interchange Info |
|----------------|-------|--------------|------------|------------------|
| <b>KN55001</b> | 1.25" | 24           | 5.5"       | R825020          |



### STEMCO CREWSON STRAIGHT & CURVED ARM MANUAL SLACKS

Forged Steel, Maximum torque 26,000 lbs.  
Press-out bushings installed for 1/2" clevis pins.



| Part No.        | Dia.  | Spline/Teeth | Arm Length       | Interchange Info |
|-----------------|-------|--------------|------------------|------------------|
| <b>MM1200S</b>  | 1.50" | 10           | 5.0", 6.0", 7.0" | 1010800          |
| <b>MM2200S</b>  | 1.50" | 28           | 5.0", 6.0", 7.0" | 1010804          |
| <b>*MM1296S</b> | 1.50" | 10           | 6.0"             | E-2091, KN51000  |

\*(MM1296S is a curved arm Slack.)



### BENDIX STRAIGHT ARM MANUAL SLACKS

Forged Steel, Maximum torque 26,000 lbs.  
Bushing diameter 1/2".



| Part No.       | Dia.  | Spline/Teeth | Arm Length       | Interchange Info |
|----------------|-------|--------------|------------------|------------------|
| <b>278323N</b> | 1.50" | 10           | 5.0", 6.0", 7.0" | KN47001          |
| <b>283411</b>  | 1.50" | 37           | 6.0"             | KN47011          |
| <b>286965N</b> | 1.50" | 28           | 5.0", 6.0"       | KN44051          |



### MERITOR STRAIGHT ARM ECONOMY MANUAL SLACKS

Forged Steel, Maximum torque 22,000 lbs.  
Clevis pin diameter 1/2".



**MERITOR**

| Part No.       | Dia.  | Spline/Teeth | Arm Length       | Interchange Info   |
|----------------|-------|--------------|------------------|--------------------|
| <b>R824000</b> | 1.50" | 10           | 5.0", 6.0", 7.0" | E612BK, L196, M452 |
| <b>R824003</b> | 1.50" | 28           | 5.0", 6.0", 7.0" | E2458S             |
| <b>R824004</b> | 1.50" | 28           | 5.5", 6.5"       | E2459S             |
| <b>R824009</b> | 1.25" | 10           | 4.5", 5.5"       | E4904, KN48031     |





## MERITOR AUTOMATIC SLACK ADJUSTERS



The Right Clevis For The Meritor Automatic Slack Adjuster (Truck, Tractor and Trailer Applications).

Meritor Automatic Slack Adjusters (ASAs) are sold in the aftermarket less clevis. It is recommended to replace the clevis when the ASA is replaced. Meritor manufactures clevises with pin spacings of 1.30" and 1.38".

Determine The Correct Clevis Pin Spacing.

To determine the correct clevis pin spacing for truck, tractor or trailer applications, use the appropriate Meritor ASA template. The ASA templates are available at [meritor.com/iod](http://meritor.com/iod).

- Dark Brown ASA Template — TP4786 ASA Template for Trucks and Tractors with Drum Brakes 1.38" Hole Clevis. Figure 3.
- Grey ASA Template — TP10130 ASA Template for Trucks and Tractors with Drum Brakes with 1.30" Hole Clevis. Figure 4.
- Tan ASA Template for Trailers — TP4787 ASA Template for Trailers with Drum Brakes.

NOTE: Trailer must always be equipped with 1.38" clevis. Figure 5.

### How To Use The ASA Template.

Measure the old clevis, or if the old clevis is not available, measure the clevis on the opposite wheel end of the axle by matching the two cutouts on the bottom of the template to the clevis holes. Figure 6.

NOTE: Trailers must always use the 1.38" clevis. Trucks/Tractors will use either the 1.30" or 1.38" clevis.

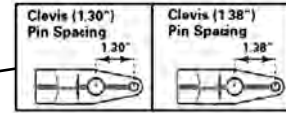


Figure 6.

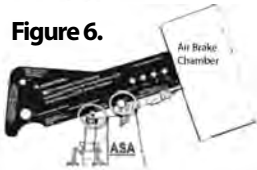


Figure 3.

**Part No. TP-4786**  
Truck or tractor drum brakes with 1.38" clevis pin spacing



Figure 4.

**Part No. TP-10130**  
Truck or tractor drum brakes with 1.30" clevis pin spacing



Figure 5.

**Part No. TP-4787**  
Trailer drum brakes All with 1.38" clevis pin spacing

### MERITOR AUTOMATIC SLACK ADJUSTERS

| Part No. | Type     | Spline Dia.-Teeth | Lever Length | Clevis Type | Clevis Thread | Use With Chamber |
|----------|----------|-------------------|--------------|-------------|---------------|------------------|
| R801001  | Unhanded | 1 1/4"-10         | 5 1/2"       | Straight    | 1/2"-20       | Type 16          |
| R801002  | Unhanded | 1 1/4"-24         | 5 1/2"       | Straight    | 1/2"-20       | Type 16          |
| R803102  | Unhanded | 1 1/4"-24         | 5 1/2"       | Straight    | 5/8"-18       | Type 16, 20      |
| R803195  | Unhanded | 1 1/2"-10         | 5 1/2"       | Straight    | 5/8"-18       | Type 24, 30      |
| R803106  | Unhanded | 1 1/2"-10         | 6"           | Straight    | 5/8"-18       | Type 30          |
| R801070  | Unhanded | 1 1/2"-28         | 5 1/2"       | Straight    | 1/2"-20       | Type 16          |
| R803111  | Unhanded | 1 1/2"-28         | 6"           | Straight    | 5/8"-18       | Type 20, 24      |
| R803109  | Unhanded | 1 1/2"-28         | 5 1/2"       | Straight    | 5/8"-18       | Type 20, 24, 36  |
| R803110  | Unhanded | 1 1/2"-28         | 5 1/2"       | Straight    | 5/8"-18       | Type 24, 30      |
| R803112  | Unhanded | 1 1/2"-28         | 6"           | Straight    | 5/8"-18       | Type 24, 30      |
| R803108  | Unhanded | 1 1/2"-28         | 5 1/2"       | Straight    | 5/8"-18       | Type 16, 20      |
| R803114  | Unhanded | 1 5/8"-37         | 5 1/2"       | Straight    | 5/8"-18       | Type 24, 30      |
| R803116  | Unhanded | 1 5/8"-37         | 6"           | Straight    | 5/8"-18       | Type 30          |
| R803048  | Opposite | 1 1/2"-28         | 5 1/2"       | Straight    | 5/8"-18       | Type 24, 30      |
| R803049  | Shown    |                   |              |             |               |                  |
| R803051  | Opposite | 1 1/2"-28         | 5 1/2"       | Straight    | 5/8"-18       | Disc 30          |
| R803050  | Shown    |                   |              |             |               |                  |
| R803054  | Opposite | 1 1/2"-28         | 6"           | Straight    | 5/8"-18       | Type 30          |
| R803055  | Shown    |                   |              |             |               |                  |
| R803058  | Opposite | 1 1/2"-28         | 6 1/2"       | Straight    | 5/8"-18       | Type 36          |
| R803059  | Shown    |                   |              |             |               |                  |



Unhanded



Shown

Opposite

**Clevis and clevis pins are NOT included on R803-series automatic slacks (19X1084 large & 19X127 small)**

**Note:** "Shown", "Opposite", and "Unhanded" indicate the location of the pawl assembly on the slack adjuster.

The slack adjuster must be installed so that the pawl can be removed during maintenance.

**INSTALLATION TEMPLATES** - There are installation templates in the box with each slack adjuster. Each installation template is designed to line up the clevis, push rod, and arm at a particular angle so that the most efficient adjustment of the brakes is obtained. Should the installation angle be off from the required template angle for that application, over adjustment or under adjustment will result - and therefore pushrod lengths may be off from the acceptable lengths. **••TEMPLATES are NOT Interchangeable. ••**



# AUTOMATIC SLACK ADJUSTERS

## Meritor Clearance-Sensing Automatic Slack Adjuster

### How The Clearance-Sensing ASA Works:

Automatic slack adjusters multiply the linear force exerted by the air chamber and convert it to rotational force to activate the foundation air brake components. The chamber force is multiplied by a factor depending on the slack adjuster arm length (5-1/2", 6", or 6-1/2"). The Clearance-Sensing ASA employs the clearance sensing method that maintains a pre-determined clearance or spacing between the lined brake shoe and the brake drum on an axle. The ASA adjusts, as the brake lining and drum wear, to maintain the clearance.

This product provides consistent brake performance throughout the lining life, better balance between individual brakes, and assists in keeping brake stroke within the legal limits. **Warranty: On-highway/Line Haul = 500,000 miles / 5 years**  
**Severe Service = 100,000 miles / 2 years**



| Part No.       | Arm Length | Spline Size | Adaptor Thrd Size | Yoke Offset | Comments                     |
|----------------|------------|-------------|-------------------|-------------|------------------------------|
| <b>R806019</b> | 5-1/2"     | 1 1/2"-28   | 5/8"-18           | Straight    | <b>Fully Interchangeable</b> |

## MERITOR AUTOMATIC SLACK ADJUSTER MAINTENANCE PARTS

### Meritor Guide Pawl Kit

For Automatic Slack Adjuster.

"Pull" pawl assembly with curved face. Kit contains 2 pawls with compression washers. Pawl from KIT963.

**Part No. R801700**



1-3/8" length pin holes enter to center

### Meritor Straight Clevis Kit -

**KIT Part No. R810018**

Includes lightweight clevis, pins and clips for standard type 9, 12, 16 chambers. 1/2"-20 thread.



**KIT Part No. R810019**

Includes lightweight clevis, pins and clips for standard type 20, 24, 30, 36 chambers. 5/8"-18 thread.



**KIT Part No. R810021**

Includes lightweight clevis, pins and clips for long stroke type 20, 24, 30, 36 chambers. 5/8"-18 thread.



**KIT Part No. R810025**

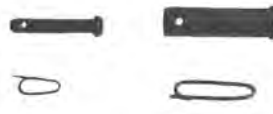
Includes lightweight OFFSET clevis, pins and clips for standard type 20, 24, 30, 36 chambers. 5/8"-18.



### CLEVIS PINS

Small Pin **Part No. 19X127**

Large Pin **Part No. 19X1084**



**KIT Part No. R810005**

Pin Kit includes 19X127, 19X1084 and clips for each.

## GUNITE AUTOMATIC SLACK ADJUSTERS

- Compact housing for easy installation
- Double sealed actuator arm
- Drilled worm wheel
- Factory lubricated and sealed
- Extended life clevis pin bushing
- O-Ring on spline gear



### GUNITE AUTOMATIC SLACK ADJUSTER WITH CLEVIS

| Part No.      | Spline Dia. | Teeth | Arm Length | Notes                  |
|---------------|-------------|-------|------------|------------------------|
| <b>AS1132</b> | 1.50        | 10    | 5.5        |                        |
| <b>AS1133</b> | 1.50        | 10    | 6.0        |                        |
| <b>AS1136</b> | 1.25        | 10    | 5.5        |                        |
| <b>AS1138</b> | 1.25        | 24    | 5.5        |                        |
| <b>AS1140</b> | 1.50        | 28    | 5.5        |                        |
| <b>AS1141</b> | 1.50        | 28    | 6.0        |                        |
| <b>AS1143</b> | 1.62        | 37    | 5.5        |                        |
| <b>AS1144</b> | 1.62        | 37    | 6.0        |                        |
| <b>AS1149</b> | 1.50        | 28    | 5.5        | Extended length clevis |
| <b>AS1172</b> | 1.50        | 28    | 5.5        | 1.30 pin center        |
| <b>AS1173</b> | 1.50        | 28    | 6.0        | 1.30 pin center        |



### CLEVIS for GUNITE AUTOMATIC SLACKS

Includes 2 clevis pins and 2 cotter pins.  
 For 5/8" Threaded Pushrod **Part No. AS3000**  
 For 1/2" Threaded Pushrod **Part No. AS3001**

### ALSO AVAILABLE:

**Part No. AS1040** Same as AS1140, except no clevis kit.  
**Part No. AS1041** Same as AS1141, except no clevis kit.



## BENDIX AUTOMATIC SLACK ADJUSTERS



### BENDIX VERSAJUST AUTOMATIC SLACK ADJUSTERS

are designed for use on S-Cam brakes – the most common type used on commercial vehicles. Built to last, the new Versajust slack is compatible with nearly any automatic slack adjuster or link-style ASA.

What's more, the Versajust slack is crosscompatible(across each axle) with the Bendix® ASA-5® slack adjuster. Great Warranty!



| Part No.       | Arm Length | Spline Size | Adaptor Thrd Size | Yoke Offset |
|----------------|------------|-------------|-------------------|-------------|
| <b>K041870</b> | 5-1/2"     | 1 1/2"-10   | 5/8"-18           | Straight    |
| <b>K041876</b> | 6"         | 1 1/2"-10   | 5/8"-18           | Straight    |
| <b>K043197</b> | 5-1/2"     | 1 1/2"-28   | 5/8"-18           | Straight    |
| <b>K041877</b> | 6"         | 1 1/2"-28   | 5/8"-18           | Straight    |

1.3" pin-to-pin clevis dimension.



When replacing a Bendix ASA-5 slack with a Versajust model:

- Replacement of an ASA-5 on one side of the vehicle axle, no longer requires replacement of the ASA-5 on the other side of the axle. The Versajust and ASA-5 slacks are cross-compatible on the axle.
- All other installation instructions and considerations remain the same as that of the Bendix ASA-5 model.

## STEMCO CREWSON™ AUTOMATIC SLACK ADJUSTERS



Stemco Crewson Brake Adjusters. Designed for maximum safety and convenience.

Our brake adjusters have been designed with a variety of patented features including:

- Auto Check™: Check brake stroke without crawling under the truck.
- Cam Guard: This lubrication system eliminates seizing and corrosion.
- Patented Installation Template: Ensures the ABA is installed correctly every time.
- Patented Clearance Sensing Adjuster System: Patented reduced wear clutch.
- High Strength Gearset: Assures the ABA will stand up to years of service.
- Blue Powder Coat: Protects the ABA from harsh winter conditions.
- Sealing: The gear is sealed with a proprietary system that protects it.



MK422100S

Our patented Auto-Check feature is designed to provide a method of checking the brake stroke without going under the truck.

- Installed on the ABA facing the center of the vehicle to easily see if brake stroke is in normal range.
  - Bright yellow pointer and indicator easily corrects set-up position, determines working stroke and shows if brake stroke is past readjust limit.



MK22103S

| Part No.         | Arm Length  | Spline Size | Adaptor Thrd Size | Yoke Offset | Interchanges:      |
|------------------|---|-------------|-------------------|-------------|--------------------|
| <b>MK21102S</b>  | 5.5"/6.5"   | 1 1/2"-10   | 5/8"-18           | Straight    | R801041            |
| <b>MK22102S</b>  | 5.5"  | 1 1/2"-28   | 5/8"-18           | Straight    | R801073 / 065174   |
| <b>MK22103S</b>  | 6.0"  | 1 1/2"-28   | 5/8"-18           | Straight    | R801074 / 065176   |
| <b>MK22153S</b>  | 5"-6"   | 1 1/2"-28   | 5/8"-18           | Straight    | Curved arm         |
| <b>MK23103S</b>  | 5.0"/6.0"   | 1 5/8"-37   | 5/8"-18           | Straight    | R801102            |
| <b>MK41100S</b>  | 5.5"  | 1 1/2"-10   | 5/8"-18           | Straight    | 400-40143 / 065170 |
| <b>MK41106S</b>  | 6.0"  | 1 1/2"-10   | 5/8"-18           | Straight    | 400-40142 / 065172 |
| <b>MK42100S</b>  | 5.5"  | 1 1/2"-28   | 5/8"-18           | Straight    | with Auto-Check    |
| <b>MK42106S</b>  | 5.5"  | 1 1/2"-28   | 5/8"-18           | Straight    | with Auto-Check    |
| <b>MC8420KTS</b> | - Clevis Kit for slacks without Auto-Check. 5/8"-18. 1-3/8" pin-to-pin. |             |                   |             |                    |

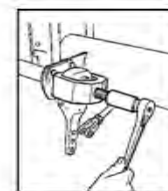
## AUTOMATIC SLACK ADJUSTER PULLER

### Automatic Slack Adjuster Puller: Part No. 5056 (Interchanges E-9320)

Ease the job of removing frozen slack adjusters. Slack Pullers have only one moving part and require only a wrench to use them.

**There are only 4 simple steps to follow:**

1. Remove the grease fittings from the slack adjuster.
2. Slide the puller onto the slack adjuster body.
3. Turn the bolt on the puller. The bolt is self-aligning for quick positioning.
4. Catch the slack adjuster as it comes off the camshaft.





## HALDEX AUTOMATIC SLACK ADJUSTERS

### The Haldex Automatic Brake Adjuster

simplifies adjustment during installation and brake lining replacement with an easily accessible adjustment hex requiring no locking pawls to remove or disengage.

Verify proper installation at a glance through its built-in visual indicator, which eliminates the cumbersome templates needed to check other automatic brake adjusters.

#### Other Features:

- Constantly maintains brake lining-to-drum clearance, reducing stopping distances and increasing driver's confidence under all conditions.
- Heat-treated housing extends life and minimizes internal wear.
- Heat-treated, high strength, high alloy steel internal gears withstand wear.
- Reliable o-ring seals improve protection from moisture, dirt and road salt.



| Part No.  | Spline Dia. & No. of Teeth | Arm Length | Application Information |
|-----------|----------------------------|------------|-------------------------|
| 400-10001 | 1-1/4-10                   | 5.5"       | Steer Axle, clamp       |
| 400-10008 | 1-1/2-28                   | 5.5"       | Steer Axle, clamp       |
| 400-10072 | 1-1/4-10                   | 5.5"       | Steer Axle, strap       |
| 400-10121 | 1-1/2-10                   | 5.5"       | strap                   |
| 400-10140 | 1-1/2-28 (34°)             | 5",6"      | Drive Axle              |
| 400-10141 | 1-1/2-28 (34°)             | 5.5",6.5"  | Std. Drive Axle         |
| 400-10142 | 1-1/2-10 (34°)             | 5",6"      | Drive Axle              |
| 400-10143 | 1-1/2-10 (34°)             | 5.5",6.5"  | Std. Drive Axle         |
| 400-10146 | 1-1/2-28                   | 5.5",6.5"  | Mack Drive Axle, damp   |
| 400-10155 | 1-1/2-10                   | 5.5"       | KW Drive Axle, strap    |
| 400-10156 | 1-1/2-28                   | 5.5"       | KW Drive Axle, strap    |
| 400-10144 | 1-1/2-28                   | 6"         | Mack Drive Axle         |
| 400-10211 | 1-1/2-28                   | 5.5"       | 16.5" Trlr Axle         |
| 400-10212 | 1-1/2-28                   | 6"         | 16.5" Trlr Axle         |
| 400-10213 | 1-5/8-37                   | 5.5"       | 16.5" Trlr Axle         |
| 400-10214 | 1-5/8-37                   | 6"         | 16.5" Trlr Axle         |
| 400-10216 | 1-1/2-10                   | 6"         | 16.5" Trlr Axle         |
| 400-10304 | 1-1/2-28                   | 5.5"       | 12.25" Brake Axle       |
| 400-10305 | 1-1/2-28                   | 6"         | 12.25" Brake Axle       |
| 400-10306 | 1-1/2-10                   | 6"         | 12.25" Brake Axle       |

### The Haldex Self-Setting Automatic Brake Adjuster

Has a unique design that revolutionizes correct fit with easy installation, improved performance, extended service life and streamlined inventories.

#### Other Features:

- Establishes its own reference point.
- Functions properly with the control arm setting itself at any angle within the total range of permissible control arm positions allowed.
- Provides the proper lining-to-drum clearance regardless of the control arm installation angle.
- Lowers the risk of over-adjustment during braking.

#### Haldex Bracket Kit

(ABA drive application. 1-1/4x7 angled)

#### PART NO. 427-10553

#### Haldex Stud Repair Kit

(includes washers and nuts.)

#### PART NO. 427-10558

#### Haldex Bracket Kit

(includes washers and nuts.)



**Allows the control arm to be set at any angle from minus 16 to 130 degrees.**



| Part No.  | Spline Dia. & No. of Teeth | Arm Length |
|-----------|----------------------------|------------|
| 400-20211 | 1-1/2-28                   | 5.5"       |
| 400-20212 | 1-1/2-28                   | 6"         |
| 400-20213 | 1-5/8-37                   | 5.5"       |
| 400-20214 | 1-5/8-37                   | 6"         |
| 400-20216 | 1-1/2-10                   | 6"         |



**Steer Axle Application - with anchor bracket strap**

**Part No. 400-10070**

**Spline Dia. & No. of Teeth 1-1/2-28**



**Arm Length 5.5"**







## FLEETCRAFT AUTOMATIC SLACK ADJUSTERS

# You can see the quality of a Fleetcraft Automatic Slack Adjuster:

### Our part number listing / product offering:

| Part No.       | Description                   |
|----------------|-------------------------------|
| <b>FC10211</b> | 1-1/2" 28 spline, 5.5" lever. |
| <b>FC10212</b> | 1-1/2" 28 spline, 6" lever.   |

| Part No.       | Description   |
|----------------|---|
| <b>FC01073</b> | 1-1/2" 28 spline, 5.5" lever.<br>Straight, unhandled. |
| <b>FC01074</b> | 1-1/2" 28 spline, 6" lever.<br>Straight, unhandled.   |

- Each slack is 100% tested on a test rail assembly machine that is capable of ensuring the components and assembly are within tolerances.
- The highly responsible Testing / Quality Control and continuous improvement system in which the slacks are subdued guarantees high quality out the door on each and every slack over the long term.
- Three year warranty.
- Boxed individually.

| Part No.        | Description   |
|-----------------|---|
| <b>FC810019</b> | Clevis Kit, 5/8" thread.<br>For 20, 24, 30 chambers.<br>Includes washers. |

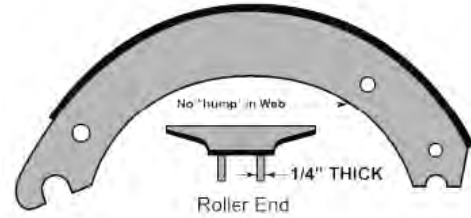




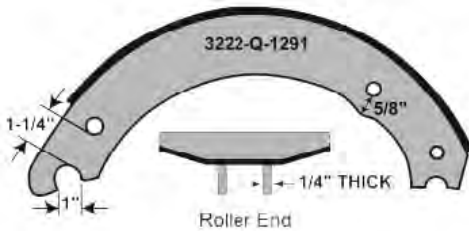
**BRAKE SHOE IDENTIFICATION - MERITOR Q**



**1308Q = 15x4 Meritor Q Front**



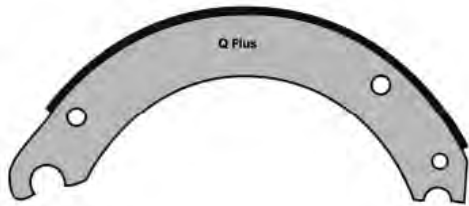
**4707TQ = 16.5x7 Q+**



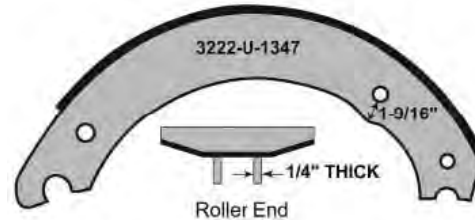
**4515TQ = 16.5x7 Q**



**4711Q = 16.5x8-5/8 Q+**



**4702Q = 15x4 Q+ Front**



**4715Q = 16.5x6 Q+**



**4703Q = 15x5 Meritor Q+ Front**



**4718TQ = 16.5x8 Q+**



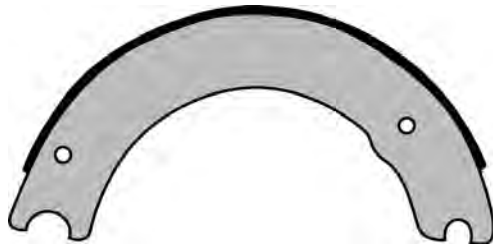
**4704Q = 15x6 Meritor Q+ Front**



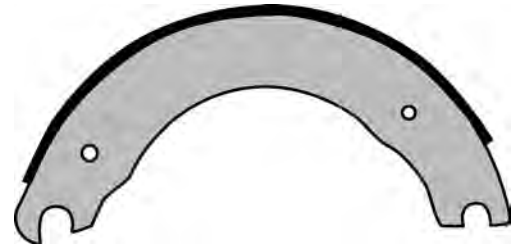
**4720Q = 16.5x5 Q+**



**BRAKE SHOE IDENTIFICATION - EATON**



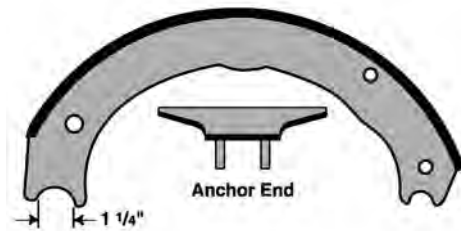
**1308E = 15x4 Eaton**



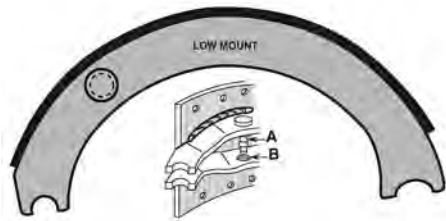
**4717-2 = 15x8-5/8 Eaton ES**



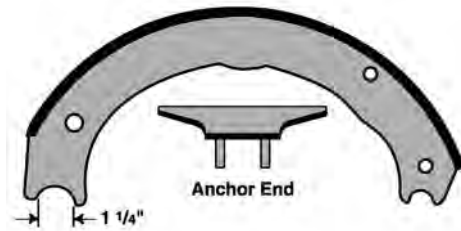
**1443 = 15x4 Eaton**



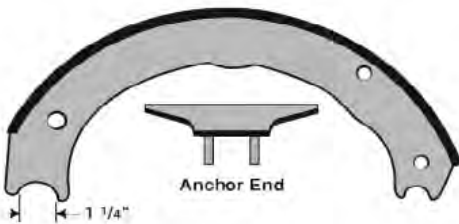
**4719-2 = 16.5X5 Eaton ESII**



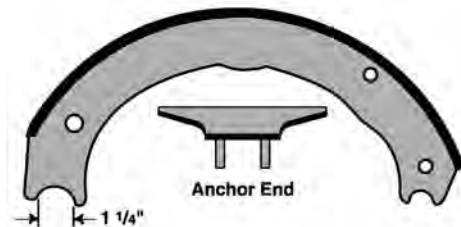
**4311 = 16.5x7 Eaton**



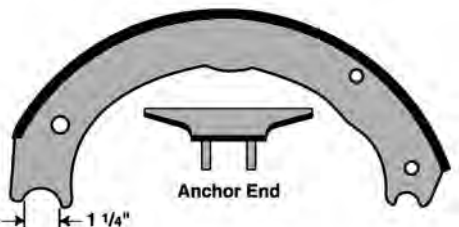
**4725-2 = 16.5X6 Eaton ESII**



**4709 = 16.5x7 Eaton ES**



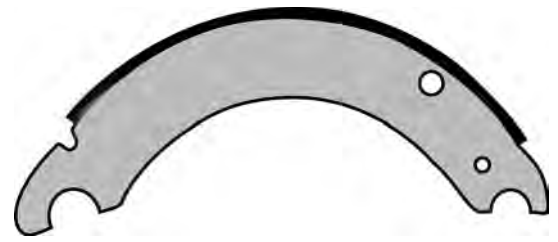
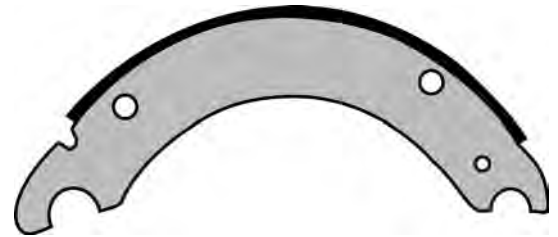
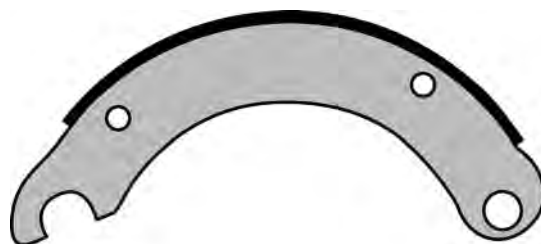
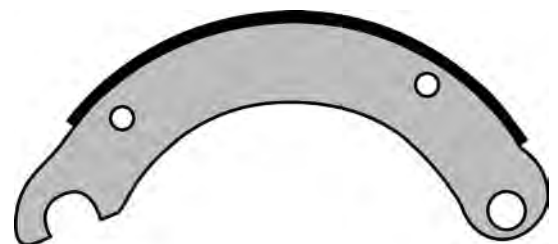
**4726-2 = 16.5X8-5/8 Eaton ESII**



**4709-2 = 16.5x7 Eaton ESII**



**4729 = 15x4 Eaton ES Front**

**BRAKE SHOE IDENTIFICATION - LOW BOY****4536 = 12-1/4x5-1/2****4692Q = 12-1/4x7-1/2 Q****4536FC = 12-1/4x5-1/2FCII****4692FC = 12-1/4x7-1/2 Fast Change II****4591 = 12-1/4x7-1/2****4700 = 12-1/4x4 Dexter****PQ4591 = 12-1/4x7-1/2 Dexter PQ****PQ4700 = 12-1/4x4 Dexter PQ****4670 = 12-1/4x7-1/2 Meritor Q**

**We have more than the brake shoes listed here. Any brake shoe information you need, let us know!**



## ABEX BRAKE LINING - BRAND INFORMATION INTRODUCTION

The **Abex** line of proven heavy-duty products is the commercial-vehicle industry's most complete. Each brake lining produced meets the materials, processes and quality standards demanded.

Every material is the product of an optimum brake block formula arrived at by years of research and testing. Each starts with the finest, most consistent friction materials and is produced via computer-controlled automation to meet rigorous standards for uniform quality.

**Abex Stop Box Kits** give you complete braking solutions that eliminate the need for guesswork and parts hunting.

These all-in-one packages feature:

- Two new OEM-quality lined shoes.
- Complete heavy-duty hardware kit.

Available in most linings, covering numerous applications, they're everything that's required for a first-class brake replacement job.



**Part Number**  
**Examples of Stock:**  
 ABK6008-4702Q  
 ABK6008-4707TQ  
 ABK685-4707TQ  
 ABK685-4709-2



**Abex**

### **ABEX LISTING OF OUR LINING OPTIONS:**

#### **"EX" Abex 685FF Supreme Brake Block**

Abex 685 FF is an OEM approved asbestos free premium brake lining. The torque output is at a level which will meet the inertia dynamometer requirements of FMVSS 121 at a GAWR of 23,000 lbs. with an AL factor of 165.

#### **"EN" Abex 6008-1 FF Premium Brake Block**

Abex 6008-1 FF is an OEM approved asbestos free premium bake lining. The torque output is at a level which will meet the inertia dynamometer requirements of FMVSS 121 at a GAWR 20,000 lbs. with an AL factor of 165-180.

#### **"SDA" Abex 6098 GG Severe Duty Brake Block**

Abex 6098 GG is an asbestos free premium brake lining. The torque output is at a level which will meet the inertia dynamometer requirements of FMVSS 121 at a GAWR of 23,000 lbs. with an AL factor of 165-180. It is recommended for refuse trucks and other severe duty applications.

#### **"FT" Abex FT GG OEM Fire Truck Brake Block**

Abex FT GG is an OEM approved premium bake lining with a torque output level that will meet the inertia dynamometer requirements of FMVSS 121 at a GAWR 26,000 lbs. with an AL factor of 195.

#### **"ED" Abex 6028 GG Supreme III Extreme Duty Brake Block**

Abex 6028 GG is an OEM approved asbestos free premium bake lining. The torque output is at a level which will meet the inertia dynamometer requirements of FMVSS 121 at a GAWR 25,000 lbs. with an AL factor of 180.

#### **"EW" Abex 6028 GG Wedge Brake Block**

"EW" prefix lining is specifically designed and OEM approved for wedge brake applications.

#### **"MC" Abex 685 FF/Abex 697 EE Combination Transit Brake Block**

"MC" is an OEM approved asbestos free combination transit brake lining.

This combination has been custom designed for use on busses. It is the preferred lining of most major transit authorities.

#### **"MX" Abex 697 EE Transit Brake Block**

Abex 697 EE is a single friction asbestos free transit lining.

#### **"VL23" Abex Economy**

GWAR 23,000 lbs.

#### **"VL20" Abex Economy**

GWAR 20,000 lbs.

#### **NOTE:**

Although this reference guide considers general performance characteristics, product performance varies not only by material grade but also by brake components used, load, terrain, and driver habits. When selecting a friction material, review performance data and consult manufacturer representatives for service recommendations. Never purchase friction material based solely on price.

### **Are Edge Codes an Indication of Lining Quality? - ABSOLUTELY NOT.**

Edge codes (EE, FF, GG etc...) describe a range of normal and hot friction values measured when a 1" square piece of material is subjected to varying conditions of temperature, pressure, and rubbing speed on a Chase test machine. Edge codes identify the lining manufacturer, lining material, and the coefficient of friction (amount of resistance between two surfaces.) Edge codes are strictly an identifier.



## ABEX BRAKE LINING - RSD - REDUCED STOPPING DISTANCE LINING

**Federal-Mogul is committed to supplying the most comprehensive line of Commercial Vehicle friction products to meet all of your current and future maintenance needs.**

### **RSM 6061 FE**

**FMVSS 121 rated for 23,000 lbs. (165 AL Factor)**

**FMVSS 121 rated for 29,000 lbs. (180 AL Factor)**

Improved stopping distance.

Superior stopping power.

Good lining life and drum wear.

Smooth braking at low and high speeds.

Designed for high temperature severe service applications and RSD steer axles.

Excellent fade and recovery.

Superior modulus of elasticity. (1.25 million lbs/sq in)

Exceptional flexural strength. (5665 lbs/sq in)

# Abex

### **RN 6260 GG**

FMVSS 121 rated for 20,000 lbs. (165 AL Factor)

Copper-free.

Improved stopping distance.

Superior stopping power.

Excellent lining and drum wear.

Smooth braking at low and high speeds.

Low swell and growth.

Crack resistant.

Superior modulus of elasticity. (1.14 million lbs/sq in)

Exceptional flexural strength. (5782 lbs/sq in)



### **RSC 6260 GG/6061 FE**

FMVSS 121 rated for 23,000 lbs. (165 AL Factor)

Improved stopping distance.

Superior stopping power.

Good lining life and drum wear.

Smooth braking at low and high speeds.

Excellent fade and recovery.

Semi-met/organic combination formula.

Superior modulus of elasticity.

**6260 GG – (1.14 million lbs/sq in)**

**6061 FE – (1.25 million lbs/sq in)**

Exceptional flexural strength

**6260 GG – (5782 lbs/sq in)**

**6061 FE – (5665 lbs/sq in)**





## FLEETCRAFT BRAKE LINING

NOT ALL AFTERMARKET LININGS ARE CREATED EQUAL.  
NOT ALL AFTERMARKET LININGS ARE MADE IN THE USA.



A QUALITY BRAKE LINING ON A NEW OR REMANUFACTURED BRAKE SHOE WITH  
NO SACRIFICE IN QUALITY. AND IT'S MADE IN THE USA!

## FLEETCRAFT BRAKE LINING APPLICATION GUIDE

### FC20 Brake Lining

Premium, OE quality non-asbestos friction material with a glass fiber base. •20,000 GAWR - FMVSS 121 rated with 180 AL factor.

Application: Recommended for use on S-cam brakes on trucks, truck-tractors and trailers. Hauling general freight on-highway.

Long-haul freight over moderate terrain.

Gogan hardness 24 GC.

NEW LINED SHOES - 16.5X7

Lined with Fleetcraft

Premium Quality FC20 Lining

| Application | Part No.     |
|-------------|--------------|
| "Q"         | 1011941-FC20 |
| XEM3        | 1011944-FC20 |
| "Q+"        | 1011951-FC20 |



### FC23 Brake Lining

Premium heavy duty non-asbestos friction material.

Recommended for multi-duty service where excessive loads and tough terrain are prevalent. •23,000 GAWR - FMVSS 121 rated with 180 AL factor.

Gogan Hardness 26GC.

Application: Recommended for use on S-cam brakes on trucks, truck-tractors and trailers. Single axle dumps and refuse trucks.

Triaxle dumps and heavy loads.

NEW-LINED SHOES - 16.5x7

Lined with Fleetcraft

Premium FC23 Lining

| Application | Part No.     |
|-------------|--------------|
| "Q"         | 1011941-FC23 |
| XEM3        | 1011944-FC23 |
| "Q+"        | 1011951-FC23 |





FLEETCOTE BY FLEETCRAFT

# FLEETCOTE by Fleetcraft®

## Powder Coating System



### MARKET LEADING FINISH SYSTEM

- The performance properties - impact resistance, flexibility, and corrosion resistance are superior to liquid paints.
- Superior Consistency, Durability and Uniformity.
- Salt Spray Test greater than 400 hours. Average dipped paint finish - 50 hours
- Resists cracking, peeling, and marring during handling and normal service use.
- One of the few companies in the brake reline business to use a powder coat system.
- Compliant with Environmental Regulations.
- Fleetcraft has one of the most modern brake facilities in the country.
- Highly experienced and knowledgeable personnel.

### Equipment includes:

- Self contained automatic washers
- Automatic deliners
- Self contained blasters
- Dual Headed Hydraulic Riveters (puts 2500 PSI on each rivet)
- Brake shoes are torque tested for loose rivets



**Because of our processes, Federal Mogul is offering a 3-year, 300,000 mile warranty against cracking from rust jacking on: 6008, 685, 6098, FC20, and FC23 Linings.**







## MERITOR PLATINUM SHIELD

**The power of platinum conquers rust-jacking. Again.**



### PlatinumShield™ II coating.

It's one very big Meritor idea that results in even bigger dividends for you and the whole trucking industry. Why? Because Meritor® new and reman brake shoes with PlatinumShield II – the second-generation brake shoe coating that features a stronger formula – provide unsurpassed resistance to rust-jacking and corrosion while extending the life of your brakes.

### Nine-Step Remanufacturing Process.

**Meritor** reman brake shoes with **PlatinumShield II** coating offer all the advantages of the proven Meritor *nine-step brake shoe remanufacturing process*. In their Plainfield Indiana facility, each shoe is completely remanufactured – not rebuilt – and restored to the same high-quality performance standards as original Meritor production brake shoes.

#### Meritor Platinum Shield II Part Numbers

MA212 lining; 21,000 lb rated, NEW-LINED Shoe KITS:

#### **Part Numbers:**

**KSMA2124515F3      PKSMA2124515Q**  
**KSMA2124702QP      PKSMA2124707QP**

#### Meritor Platinum Shield II Part Numbers:

MA212 lining 21,000 lb rated, SHOES only - New lined.

#### **Part Numbers:**

**PSMA2124515Q    PSMA2124707QP**  
**PSMA3124702Q    (MA312 lining, 23,000 lb rated)**

#### Meritor Platinum Shield II Part Numbers

MA lining; REMAN Shoe KITS:

#### **Part Numbers:      Description:**

**XK20014702QP**    MA2001, 20K, 15x4 Q+ (RSD)  
**XK20014707QP**    MA2001, 20K, 16.5x7 Q+ (RSD)  
**XK20014711QP**    MA2001, 20K, 16.5X8-5/8 (RSD)

**XK2124515Q**      MA212, 21K, 16.5x7 Q  
**XK2124702QP**      MA212, 21K, 15x4 Q+  
**XK2124707QP**      MA212, 21K, 16.5x7 Q+

**XK3121443E**      MA312, 23K, 15x4 ES  
**XK3124702QP**      MA312, 23K, 15x4 Q+  
**XK3124707QP**      MA312, 23K, 16.5x7 Q+  
**XK3124709E2**      MA312, 23K, 16.5x7 ES

#### **RELINED Shoe Only:**

**XSMA20014707QP**    MA2001, 20K, 16.5x7 Q+ (RSD)

### Label Approval

**Only Meritor reman brake shoes with PlatinumShield II coating that pass their rigorous inspection process receive the Meritor brake shoe label.**





# MERITOR RSD - REDUCED STOPPING DISTANCE - LINING

The new reduced stopping distance requirements provide an opportunity to install not just new friction, but materials that deliver the braking results your customers want. Meritor has re-engineered its friction materials to meet the new reduced stopping distance requirements and beyond in some instances. Below are answers to commonly asked questions about the new regulations and the decision to standardize friction.

## About the Stopping Requirements

**Q. What are the new FMVSS 121 stopping distance requirements and when did they take effect?**

A. The new FMVSS 121 stopping distance requirements are illustrated in this chart:

| Compliance Date        | Vehicle Configuration | Tractor GVWR (lbs.) | Loaded 60 MPH Stopping Distance (ft.) |     |
|------------------------|-----------------------|---------------------|---------------------------------------|-----|
|                        |                       |                     | Previous                              | New |
| Phase 1<br>Aug 1, 2011 | Three axles           | 0 to 59,600         | 355                                   | 250 |
|                        | Two axles             | All                 |                                       | 250 |
| Phase 2<br>Aug 1, 2013 | Three axles           | 59,600 to 70,000    |                                       | 250 |
|                        |                       | Above 70,000        |                                       | 310 |
|                        | Four or more axles    | 0 to 85,000         |                                       | 250 |
|                        |                       | 85,000 and above    |                                       | 310 |



# MERITOR

**Q. Do all new Meritor RSD friction materials meet the new stopping distance requirements?**

A. Yes. All new Meritor RSD brakes will meet the new requirements with an additional 10% margin.

**Q. What is the impact on my existing vehicles? Do I need to change my existing vehicles to the new Meritor RSD friction materials?**

A. The law only affects new production vehicles. There is no requirement to retrofit older vehicles.

### Important Facts About the Stopping Distance Regulation Change and Meritor RSD Friction

- The regulations affect new tractors only; existing vehicles are not affected
- Meritor RSD friction is available for fleets that want to standardize on friction materials
- Meritor RSD friction materials are available on new or reman shoes with PlatinumShield™ II coating





## STEMCO BRAKE LINING

Over the years you have known Stemco for their high quality seals, now you can get that same quality in friction: Stemco Duroline Friction Products.



### BRAKE SHOES

#### CATCH THE WAVE

Stemco's patented and revolutionary "Wave Process" assures higher performance and a longer life along with a lower noise level.

Extra Life choice for demanding highway applications. Whether you're driving an over-the-road truck, tractor or trailer, this unique brake lining is perfect for moderate to heavy-duty long-haul applications. **Crest XL** exceeds the performance of the competition in the same category due to its superior formulation combined with the Wave Process.

- Medium friction asbestos-free brake block
- Glass-acrylic-based fiber
- Excellent drum compatibility and friction stability
- Low sensitivity to speed and temperature
- Low thermal expansion provides great compatibility with automatic slacks
- 20,000 lb. moderate- to heavy-duty applications
- Ideal for over-the-road trucks, tractors and trailers

**CREST XL™**



The high performance choice for demanding applications. If you're looking for superior performance on buses, trucks, tractors or trailers then look no further. **Vista HP** offers smooth, noise-free and stable stopping power over a wide range of temperature, pressure and speed variations. As a result, **Vista HP** high-performance brake linings are ideally suited for the rigors of stop-and-go service.

- Medium- to high friction asbestos-free brake block
- Smooth, noise-free, stable stopping power over a wide range of temperature, pressure and speed variations
- Cost-effective due to extended lining life
- Ideally suited for demanding stop-and-go service
- Low thermal expansion provides excellent compatibility with automatic slacks
- Vista HP designed for 23,000 lb. axle rating

**VISTA HP™**



| <b>Part No.</b>   | <b>Description</b>                    |
|-------------------|---------------------------------------|
| <b>CXL-4515TQ</b> | "Q" Brake Shoe with Crest XL™ lining  |
| <b>CXL-4707TQ</b> | "Q+" Brake Shoe with Crest XL™ lining |
| <b>VHP-4515TQ</b> | "Q" Brake Shoe w Vista HP™ lining     |
| <b>VHP-4707TQ</b> | "Q+" Brake Shoe with Vista HP™ lining |

Ask us about a Wheel-End Program: •Shoes •Seals •Friction •Pro-Torque



## HALDEX BRAKE SHOES

**A Friction Program  
Designed to Offer  
Quality, Service and Value**

**Program Highlights  
Haldex Team Friction Program**



Easy Product Identification - New Product, Reman Product and Shoe Boxes Detailed in Brake Catalog (LF00099)  
Multiple Reline Centers Throughout the United States  
Core BuyBack Program - Provided for New Shoes  
Prepaid Delivery/Core Pickup - Minimum Order 100 Shoes  
Ensured Customer Satisfaction - Knowledgeable Customer Service Reps  
Rust Jacking Preventative - Completely Reconditioned Cores and Coating  
Easy to Manage Product - All Cores Are Like-For-Like

### **V Series Lining:**

Lower temperature, lower duty cycle brake lining.  
Designed for situations where price is primary factor.

**V77** - 20,000 lb rated. **V88** - 23,000 lb rated.

**V76** - Steer Axle. 12-14,000 lb axle rating depending on brake size.



**Haldex "V Series" Brake Linings are designed to deliver superior performance when compared to similar products in their class.**

### **Many options available on this Direct Ship Program:**

#### **V76 Series Shoe**

HV761308ER  
HV761308QR  
HV761308Q2R  
HV761308TR  
HV761443ER  
HV764702QR

#### **V76 Series Kits**

HV761308EG  
HV761308QG  
HV761308Q2G  
HV761308TG  
HV761443EG  
HV764702QG

#### **V77 Series Shoe**

HV774311ER  
HV774707QR  
HV774709ES2R  
HV774515QR  
HV774515TR  
HV774515X3R

#### **V77 Series Kits**

HV774311EG  
HV774707QG  
HV774709ES2G  
HV774515QG  
HV774515TG  
HV774515X3G

#### **V88 Series Shoe**

HV884311ER  
HV884707QR  
HV884709ES2R  
HV884515QR  
HV884515TR  
HV884515X3R

#### **V88 Series Kits**

HV884311EG  
HV884707QG  
HV884709ES2G  
HV884515QG  
HV884515TG  
HV884515X3G



## MILLENIUM BRAKE SHOES

**MILLENIUM** linings have outstanding durability and friction stability normally found only in premium grade materials.

**MILLENIUM** linings have some of the best performing brake block available today.

Swell and growth are low, tensile strength is high and drum degradation is kept to a minimum.



### **MILLENIUM M3**

lining is a basic economy friction material for 20,000 lb. GAWR axle applications.

Recommended for s-cam air brakes on trucks, tractors and trailers carrying medium weight freight on-highway, and long haul applications over average terrain conditions without high axle weights.

FF / 180 AL (3030 chamber x 6" slack adjuster. Non-Asbestos Medium Friction.

### **MILLENIUM M8**

lining is a basic economy friction material for 23,000 lb. GAWR axle applications.

Recommended for s-cam air brakes on trucks, tractors and trailers carrying heavier weight freight on-highway, and over average terrain.

FF / 165 AL (3030 chamber x 5.5" slack adjuster. Non-Asbestos Medium Friction.





## LINED BRAKE SHOES FOR CAM TYPE BRAKES



### New Lined Brake Shoes

We can take a brake shoe and sell it to you with the lining you want!  
Our part numbers represent the kind of shoe (Q, Q+, XEM, etc..) and the type of lining (FC20 Fleetcraft, 685 Abex, etc..)

Here are our base 16.5X7 part numbers for new-lined brake shoes:

**1011941** = 4515 16.5x7 Q

**1011944** = 4515 16.5x7 XEM 3

**1011951** = 4707 16.5x7 Q+

**1011953** = 4709 16.5x7 ESII

**1011954** = 4702 15x4 Q+

Examples of these combined items as a Part Number:

**1011951-M3**

(Q+ shoe with Millenium M3 lining.)

Here are our base 16.5X7 part numbers for types of brake lining:

Abex = We use their numbers, **685, 6008, 6085, 6098**, etc.

Fleetcraft = We use our numbers, **FC20, FC23**.

Stemco = We use their numbers, **HSP20, VL20**

Millenium = We use our numbers, **M3, M8**

If you have a lining preference, such as Abex, Meritor, Millenium, Stemco, Haldex, etc., let us know and we will get you a quote. We have access to many kinds of lining!

### COMPLETE BRAKE SHOE KITS

Each kit contains two new lined brake shoes with foundation hardware to rebuild one brake assembly. 16-1/2 X 7.

In order to make your shoes into a kit with the 2 shoes and hardware kit together as one price, we put a 'K' on the end of the part number.

**Example: 1011951-M3K**





## OUTRIGHT REMAN BRAKE SHOES (NO CORE!)

We have **Outright Reman Brake Shoes** available to you.

NO CORE. As shoes only, or brake shoe kits with 2 shoes and the brake hardware kit.

Some Examples are listed below in Abex, Millenium and Fleetcraft lining.

### M3 MILLENIUM Lining -

**Part No. ORM3-1308E**

15x4 - "Eaton"  
NO CORE, relined shoe.  
20,000 lb. rated.  
KIT= **Part No. NLBORM3-1308E**

**Part No. ORM3-1308Q**

15x4 - "Q"  
NO CORE, relined shoe.  
20,000 lb. rated.  
KIT= **Part No. NLBORM3-1308Q**

**Part No. ORM3-1443**

15x4 - "EF"  
NO CORE, relined shoe.  
20,000 lb. rated.  
KIT= **Part No. NLBORM3-1443**

**Part No. ORM3-4311**

16.5x7 - "Eaton"  
NO CORE, relined shoe.  
20,000 lb. rated.  
KIT= **Part No. NLBORM3-4311**

**Part No. ORM3-4515FQ**

16.5x7 - "XEM3"  
NO CORE, relined shoe.  
20,000 lb. rated.  
KIT= **Part No. NLBORM3-4515FQ**

**Part No. ORM3-4515TQ**

16.5x7 - "Q"  
NO CORE, relined shoe.  
20,000 lb. rated.  
KIT= **Part No. NLBORM3-4515TQ**

**Part No. ORM3-4707TQ**

16.5x7 Outright - "Q+"  
NO CORE, relined shoe.  
20,000 lb. rated.  
KIT= **Part No. NLBORM3-4707TQ**

**Part No. ORM3-4709-2**

16.5x7 - "ESII"  
NO CORE, relined shoe.  
20,000 lb. rated.  
KIT= **Part No. NLBORM3-4709-2**

### M8 MILLENIUM Lining -

**Part No. ORM8-1308E**

15x4 - "Eaton"  
NO CORE, relined shoe.  
23,000 lb. rated.  
KIT= **Part No. NLBORM8-1308E**

**Part No. ORM8-1308Q**

15x4 - "Q"  
NO CORE, relined shoe.  
23,000 lb. rated.  
KIT= **Part No. NLBORM8-1308Q**

**Part No. ORM8-1443**

15x4 - "EF"  
NO CORE, relined shoe.  
23,000 lb. rated.  
KIT= **Part No. NLBORM8-1443**

**Part No. ORM8-4311**

16.5x7 - "Eaton"  
NO CORE, relined shoe.  
23,000 lb. rated.  
KIT= **Part No. NLBORM8-4311**

**Part No. ORM8-4515FQ**

16.5x7 - "XEM3"  
NO CORE, relined shoe.  
23,000 lb. rated.  
KIT= **Part No. NLBORM8-4515FQ**

**Part No. ORM8-4515TQ**

16.5x7 - "Q"  
NO CORE, relined shoe.  
23,000 lb. rated.  
KIT= **Part No. NLBORM8-4515TQ**

**Part No. ORM8-4707TQ**

16.5x7 Outright - "Q+"  
NO CORE, relined shoe.  
23,000 lb. rated.  
KIT= **Part No. NLBORM8-4707TQ**

**Part No. ORM8-4709-2**

16.5x7 - "ESII"  
NO CORE, relined shoe.  
23,000 lb. rated.  
KIT= **Part No. NLBORM8-4709-2**

### FC23 Fleetcraft Lining -

**Part No. ORFC23-4515TQ**

16.5x7 - "Q"  
NO CORE, relined shoe.  
23,000 lb. rated.  
KIT= **Part No. NLBORFC23-4515TQ**

**Part No. ORFC23-4707TQ**

16.5x7 - "Q+"  
NO CORE, relined shoe.  
23,000 lb. rated.  
KIT= **Part No. NLBORFC23-4707TQ**

### 685 ABEX Lining

**Part No. OR685-4707TQ**

16.5x7 - "Q+"  
NO CORE, relined shoe.  
23,000 lb. rated.

### MV23 Marathon Lining -

**Part No. ORMV23-4515TQ**

16.5x7 - "Q"  
NO CORE, relined shoe.  
23,000 lb. rated.

**Part No. ORMV23-4707TQ**

16.5x7 Outright - "Q+"  
NO CORE, relined shoe.  
23,000 lb. rated.

**Part No. ORMV23-4709-2**

16.5x7 - "ESII"  
NO CORE, relined shoe.  
23,000 lb. rated.





## B-LOCK BRAKE SHOES - RIVETS FOR BRAKE SHOES

### B-Lock™ Brake Lining

**B-Lock™** is a patented rust preventative technology that keeps moisture and salt from getting in between the lining and shoe table and eliminates any possibility of early deterioration of the brake shoe table.

**B-lock™** is applied to the brake shoe table in an adhesive tape form before the shoe is lined.

**B-Lock™** along with the riveting of the lining provides total and complete lining security and ensures that the integrity of the friction is maintained.

**B-Lock™** has proven to work well where braking demands are severe and stress on friction is at the greatest.

In such applications, it is not uncommon for lining to react to the stress with cracking in the surface.

**Because B-Lock™** secures the entire friction area, such cracks will not impair the performance or durability of the lining.

**B-Lock™** has been proven to reduce brake noise and vibration especially in industrial applications.

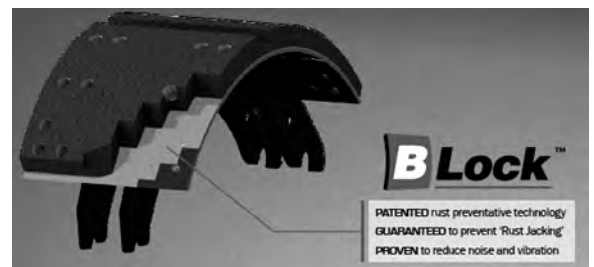
This benefit is a result of the bond between the lining and table.

STEMCO LP guarantees the new brake shoes using Rome Steel and **B-Lock** assembled in Rome, GA against 'Rust Jacking' for the life of the original STEMCO lining.

**If B-Lock™** should fail, the brake assembly will be replaced at STEMCO LP's cost.



# STEMCO BRAKE PRODUCTS™



Part Number Series:

SHOES ONLY:

**LSS4515QCXLBL** = 4515 16.5x7 Q with Crest XL lining.

BRAKE SHOE KITS (With Hardware)

**WK4515X3CXLBL** = 4515 16.5x7 XEM 3 with Crest XL lining.

**WK4702QCXLBL** = 4702 15x4 Q+ with Crest XL lining.

**WK4709E2CXLBL** = 4709 16.5x7 ESII with Crest XL lining

**WKS4515QCXLBL** = 4515 16.5x7 Q with Crest XL lining.

**WKS4707QCXLBL** = 4707 16.5x7 Q+ with Crest XL lining

**Many other versions of B-Lock™ are available!**





## Q VERSUS Q+: CAMSHAFTS AND BRAKE SHOES

Never use a standard Q brake camshaft with Q Plus brake shoes.  
 Always use Q Plus camshafts with Q Plus brake shoes.

All Q Plus shoes and camshafts are marked with "Q Plus" for easy identification.

If Q Plus shoes are used with standard Q camshafts, there is a possibility that the camshaft will "roll over" during brake application under certain operating conditions. This results in a nonworking brake which will increase stopping distances. Also, a new brake drum may not fit over the Q Plus brake shoes if the shoes are used with a standard brake camshaft.

### Commonly Asked Questions "Q-Plus" Brakes

Q: Will I have a balance problem with mixing "Q Plus" brakes on my tractor or trailer?

A: No, the "Q Plus" brake was specifically designed for complete compatibility with the current Q brake. The brake performance and balance is essentially maintained through offering the same variety of linings for both brake designs.

Q: Can I use "Q" shoes on "Q Plus" camshafts?

A: Yes, both "Q" and "Q Plus" shoes can be used with "Q Plus" camshafts. In fact you may find it advantageous to standardize on "Q Plus" cams.

Q: Can I use "Q Plus" shoes on standard "Q" camshafts?

A: No, the current "Q" cam may not allow the "Q Plus" shoes (with .12" thicker lining) to collapse far enough to assemble the brake drum.

Q: What makes the "Q Plus" better than the "Q"?

A: The "Q Plus" reduces the overall maintenance costs by increasing the intervals between relines.



### Identifying

#### Q-Plus

#### Brake

#### Shoes

#### And

#### Q-Plus

#### Camshafts

|  | Q Plus Components                                      |  | Q Components  |
|--|--|--|---|
|  | <p><b>16.5" X 7" Q PLUS SHOE</b></p>                   |  | <p><b>16.5" X 7" Q SHOE</b></p>                         |
|  | <p><b>16.5" Q PLUS CAM (1.5" DIA. -28 SPLINES)</b></p> |  | <p><b>16.5" Q CAM (1.5" DIA. -10 OR 28 SPLINES)</b></p> |
|  | <p><b>15" X 4" Q PLUS SHOE</b></p>                     |  | <p><b>15" X 4" Q SHOE</b></p>                           |
|  | <p><b>15" Q PLUS CAM (1.5" DIA. -28 SPLINES)</b></p>   |  | <p><b>15" Q CAM (1.25" DIA. -10 OR 24 SPLINES)</b></p>  |



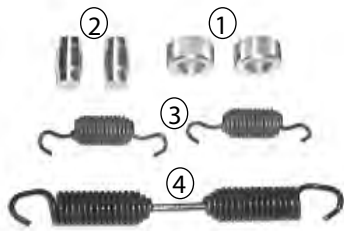
# BRAKE SHOE HARDWARE REPAIR KITS - EATON APPLICATIONS

EATON 16-1/2"  
SINGLE ANCHOR PIN BRAKE **FLEETCRAFT**<sup>®</sup>  
Interchanges MK10, E1887ASHD, 08-1042

**Part No. NL1616**

Kit services one brake and consists of:

| Item | Qty. | Part No. | Description              |
|------|------|----------|--------------------------|
| 1    | 2    | NL1027   | Knurled Roller           |
| 2    | 2    | NL1041   | Roller Pin               |
| 3    | 2    | NL1085   | Retainer Spring          |
| 4    | 1    | NL1089   | Heavy Duty Return Spring |

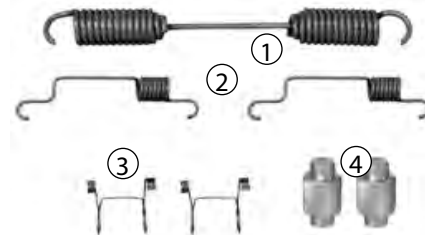


Eaton ESII 16-1/2" Brake Hardware Kit  
Interchange Numbers E-10244, **FLEETCRAFT**<sup>®</sup>  
HK61 (also in stock)

**Part No. NL1688**

Kit services one brake and consists of:

| Item | Qty. | Part No. | Description       |
|------|------|----------|-------------------|
| 1    | 1    | NL7743   | Return Spring     |
| 2    | 2    | NL7755   | Retainer Spring   |
| 3    | 2    | NL7744   | Roller Retainer   |
| 4    | 2    | NL7756   | Brake Shoe Roller |

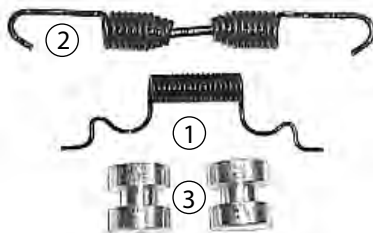


EATON 15" SINGLE ANCHOR PIN  
FRONT (STEERING) BRAKE **FLEETCRAFT**<sup>®</sup>  
Interchanges E-5139 (also in stock.)

**Part No. NL1683**

Kit services one brake and consists of:

| Item | Qty. | Part No. | Description     |
|------|------|----------|-----------------|
| 1    | 1    | NL1713   | Retainer Spring |
| 2    | 1    | NL1714   | Return Spring   |
| 3    | 2    | NL1712   | Roller          |

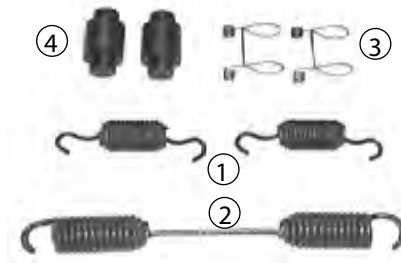


EATON 16-1/2" ES  
"EXTENDED SERVICE" BRAKE **FLEETCRAFT**<sup>®</sup>  
Interchange Numbers E5481A, R507057,  
HK63XLS (also in stock.)

**Part No. NL1686**

Kit services one brake and consists of:

| Item | Qty. | Part No. | Description     |
|------|------|----------|-----------------|
| 1    | 2    | NL1085   | Retainer Spring |
| 2    | 1    | NL1720   | Return Spring   |
| 3    | 2    | NL1722   | Roller Retainer |
| 4    | 2    | NL1721   | Roller          |

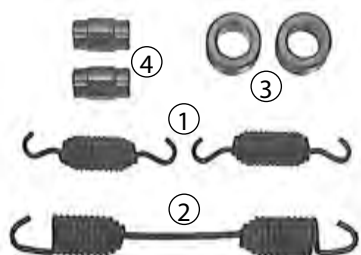


Eaton 16-1/2" Single Anchor Pin Brake  
Ford Special Application, high mount shoe.  
Interchange Number E3801 **FLEETCRAFT**<sup>®</sup>

**Part No. NL1695**

Kit services one brake and consists of:

| Item | Qty. | Part No. | Description     |
|------|------|----------|-----------------|
| 1    | 2    | NL7767   | Retainer Spring |
| 2    | 1    | NL7768   | Return Spring   |
| 3    | 2    | NL7769   | Knurled Roller  |
| 4    | 2    | NL7766   | Roller Pin      |



## FLEETCRAFT BRAKE HARDWARE KITS - EATON APPLICATIONS



**BRAKE SHOE HARDWARE REPAIR KITS - EATON APPLICATIONS**

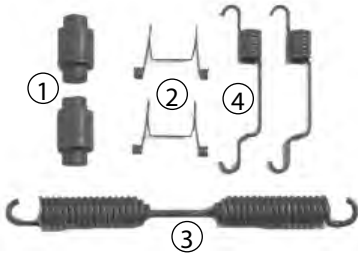
Eaton ESII 16-1/2" Brake Hardware Kit  
(Minor Kit) Interchange numbers  
E-10244, NL1688 (also stocking.)



**Part No. HK61**

Kit services one brake and consists of:

| Item | Qty. | Part No. | Description          |
|------|------|----------|----------------------|
| 1    | 2    | 32-1490  | Roller               |
| 2    | 2    | 34-1570  | Roller Retainer      |
| 3    | 1    | 19-915   | Return Spring - H.D. |
| 4    | 2    | 19-940   | Retainer Spring      |



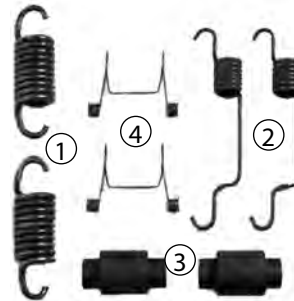
Eaton ESII 16-1/2" x 5 and 16-1/2" x 6  
Brake Hardware Kit (4719, 4725)  
(Minor Kit) Front axle brakes



**Part No. HK62**

Kit services one brake and consists of:

| Item | Qty. | Part No. | Description          |
|------|------|----------|----------------------|
| 1    | 2    | 19-924   | Return spring        |
| 2    | 2    | 19-940   | Retainer Spring      |
| 3    | 2    | 32-1490  | Cam roller, unplated |
| 4    | 2    | 34-1570  | Cam roller retainer  |

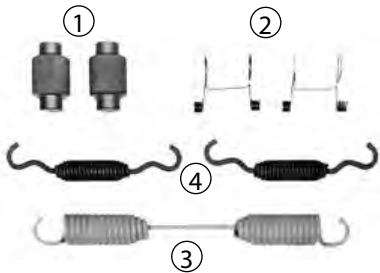


Eaton 15 x 8-5/8" Brake Hardware Kit  
"ES" Reduced Envelope, drive axle brake.

**Part No. E-9039**

Kit services one brake and consists of:

| Item | Qty. | Part No. | Description       |
|------|------|----------|-------------------|
| 1    | 2    | E-5477   | Brake Shoe Roller |
| 2    | 2    | E-5478   | Roller Retainer   |
| 3    | 1    | E-9038   | Return Spring     |
| 4    | 2    | E-2767   | Retainer Spring   |

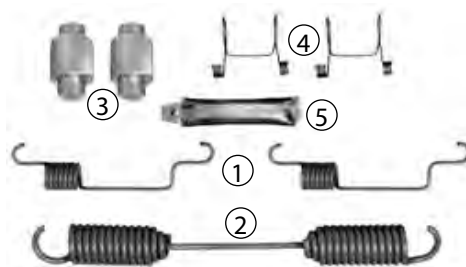


Eaton ESII 16-1/2" Brake Hardware Kit  
Interchange numbers HK61, NL1688  
(also stocking)

**Part No. E-10244**

Kit services one brake and consists of:

| Item | Qty. | Part No. | Description         |
|------|------|----------|---------------------|
| 1    | 2    | E-10198  | Retainer Spring     |
| 2    | 1    | E-10197  | Return Spring       |
| 3    | 2    | E-5477   | Brake Shoe Roller   |
| 4    | 2    | E-5478   | Roller Retainer     |
| 5    | 1    | E-3887   | Anti-seize compound |





**BRAKE SHOE HARDWARE REPAIR KITS - Q / Q+**

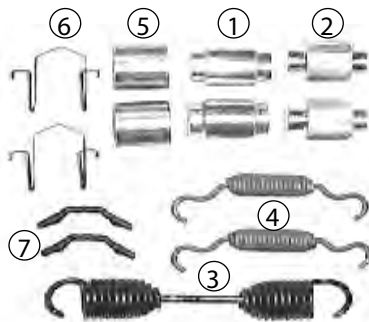
16-1/2" "Q", "Q PLUS"  
Interchange numbers MK39,  
E2769S, 08-1088.



**Part No. NL1621BG**

Kit services one brake and consists of:

| Item | Qty. | Part No. | Description        |
|------|------|----------|--------------------|
| 1    | 2    | NL1005   | Anchor Pin         |
| 2    | 2    | NL1052   | Knurled Roller     |
| 3    | 1    | NL1578   | Return Spring      |
| 4    | 2    | NL1086   | Retainer Spring    |
| 5    | 2    | NL1110   | Anchor Pin Bushing |
| 6    | 2    | NL1200   | Roller Retainer    |
| 7    | 2    | NL1212   | Spring Retainer    |



**Part No. NL1621BG**  
is a bagged kit, 10 bags  
in a box. Sold each /  
Priced by the Bag.

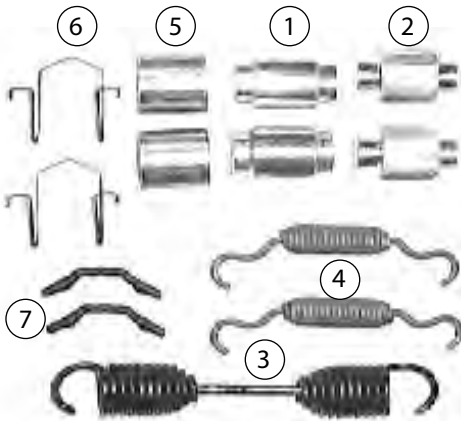
16-1/2" "Q", "Q PLUS"  
Interchange numbers  
E2769SHD



**Part No. NL1621HD**

Kit services one brake and consists of:

| Item | Qty. | Part No. | Description        |
|------|------|----------|--------------------|
| 1    | 2    | NL1005   | Anchor Pin         |
| 2    | 2    | NL1052   | Knurled Roller     |
| 3    | 1    | NL1084   | HD Return Spring   |
| 4    | 2    | NL1086   | Retainer Spring    |
| 5    | 2    | NL1110   | Anchor Pin Bushing |
| 6    | 2    | NL1200   | Roller Retainer    |
| 7    | 2    | NL1212   | Spring Retainer    |



16-1/2" "Q", "Q PLUS"  
Interchange numbers E2769HD

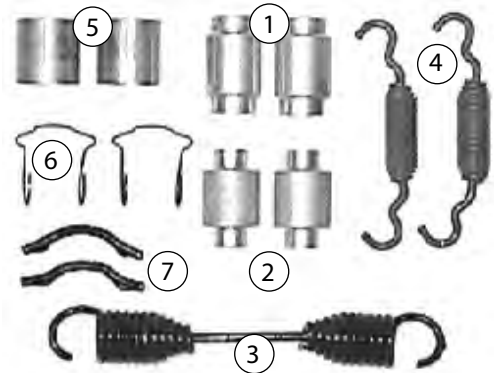


**Part No. NL1621HDS**

Kit services one brake and consists of:

| Item | Qty. | Part No. | Description                     |
|------|------|----------|---------------------------------|
| 1    | 2    | NL1005   | Anchor Pin                      |
| 2    | 2    | NL1052   | Knurled Roller                  |
| 3    | 1    | NL1084   | HD Return Spring                |
| 4    | 2    | NL1086   | Retainer Spring                 |
| 5    | 2    | NL1145   | Stainless<br>Anchor Pin Bushing |
| 6    | 2    | NL1199   | Roller Retainer                 |
| 7    | 2    | NL1212   | Spring Retainer                 |

*Kit contains the same as NL1621HD except:*  
2 NL1145 stainless steel anchor pin bushings replace  
2 NL1110 carbon steel anchor pin bushings.  
2 NL1199 roller retainers replace 2 NL1200 roller



16-1/2" "Q", "Q PLUS",  
Anchor pins and bushings  
not included in this kit.

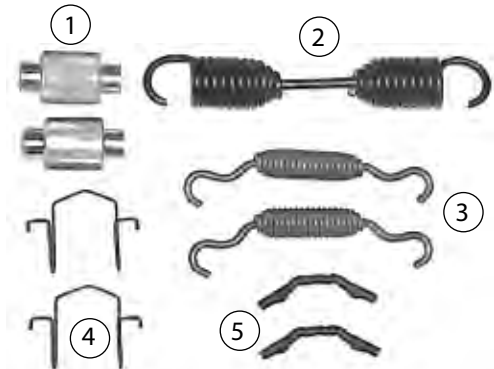


**Part No. NL1680BG**

Kit services one brake and consists of:

| Item | Qty. | Part No. | Description       |
|------|------|----------|-------------------|
| 1    | 2    | NL1052   | Knurled Roller    |
| 2    | 1    | NL1084   | H.D.Return Spring |
| 3    | 2    | NL1086   | Retainer Spring   |
| 4    | 2    | NL1200   | Roller Retainer   |
| 5    | 2    | NL1212   | Spring Retainer   |

BG = Bagged. This is a bagged kit. Ten bags  
packed bulk is box quantity





**BRAKE SHOE HARDWARE REPAIR KITS - Q / Q+**

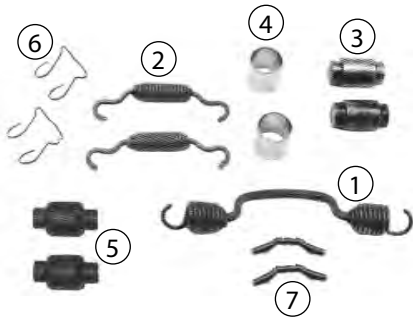
16-1/2" Q High Mount Brake Repair Kit  
w/Reloc return spring.  
Interchange numbers E9644  
and NL1690 (also in stock).



**Part No. KIT8081**

Kit services one brake and consists of:

| Item | Qty. | Part No.    | Description        |
|------|------|-------------|--------------------|
| 1    | 1    | 2258-Y-1273 | Return Spring      |
| 2    | 2    | 2258-Q-615  | Retainer Spring    |
| 3    | 2    | 1259-N-274  | Anchor Pin         |
| 4    | 2    | 1225-B-496  | Anchor Pin Bushing |
| 5    | 2    | 2297-T-7222 | Brake Shoe Roller  |
| 6    | 2    | 3105-B-210  | Roller Retainer    |
| 7    | 2    | 1218-G-85   | Return Spring Pin  |



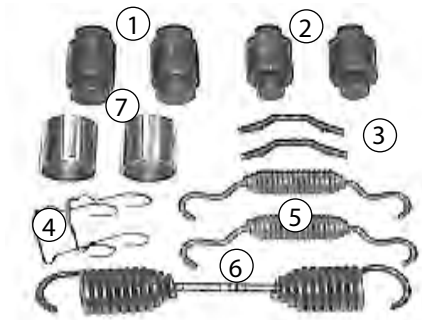
16-1/2" "Q", "Q PLUS" BRAKES  
Interchange numbers E2769HD,  
NL1621HD (in stock)



**Part No. KIT8000HD**

Kit services one brake and consists of:

| Item | Qty. | Part No.   | Description        |
|------|------|------------|--------------------|
| 1    | 2    | 1259-N-274 | Anchor Pin         |
| 2    | 2    | 1779-R-18  | Roller             |
| 3    | 2    | 1218-G-85  | Return Spring Pin  |
| 4    | 2    | 3105-B-210 | Roller Retainer    |
| 5    | 2    | 2258-Q-615 | Retainer Spring    |
| 6    | 1    | 2258-W-803 | Return Spring      |
| 7    | 2    | 1225-B-496 | Anchor Pin Bushing |



16-1/2" "Q", "Q Plus",  
Interchange Numbers MK39,  
KIT8000HD, NL1621HD, (also in stock)



**Part No. E-2769SHD**

Also AVAILABLE E-2769HD, heavy duty  
anchor pin bushing and return spring.

Kit services one brake and consists of:

| Item | Qty. | Part No. | Description        |
|------|------|----------|--------------------|
| 1    | 2    | E-2766   | Anchor Pin         |
| 2    | 2    | E-1893S  | Anchor Pin Bushing |
| 3    | 2    | E-2767   | Retainer Spring    |
| 4    | 1    | E-3490S  | HD Return Spring   |
| 5    | 2    | E-2177   | Knurled Roller     |
| 6    | 2    | E-747    | Spring Retainer    |
| 7    | 2    | E539     | Roller Retainer    |



16-1/2" "Q" High Mount Steer Axle Brake  
Interchange numbers

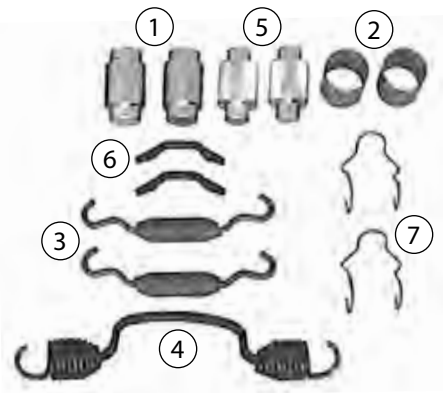
E9644, KIT8081 (also in stock)



**Part No. NL1690**

Kit services one brake and consists of:

| Item | Qty. | Part No. | Description                           |
|------|------|----------|---------------------------------------|
| 1    | 2    | E-2766   | Anchor Pin                            |
| 2    | 2    | E-1893   | Stainless Steel<br>Anchor Pin Bushing |
| 3    | 2    | E-2767   | Retainer Spring                       |
| 4    | 1    | E-9069   | Return Spring                         |
| 5    | 2    | E-2177   | Knurled Roller                        |
| 6    | 2    | E-747    | Spring Retainer Pin                   |
| 7    | 2    | E-3007A  | Roller Retainer                       |





# BRAKE SHOE HARDWARE REPAIR KITS - 15" Q / Q+

ROCKWELL 15" FRONT (STEERING)  
"Q" BRAKE

Interchange numbers KIT8029, E3869

**Part No. NL1684**

Kit services one brake and consists of:

| Item | Qty. | Part No. | Description     |
|------|------|----------|-----------------|
| 1    | 2    | NL1715   | Anchor Pin      |
| 2    | 1    | NL1716   | Wear Plate      |
| 3    | 1    | NL1718   | Retainer Spring |
| 4    | 2    | NL1712   | Roller          |
| 5    | 2    | NL5413   | Lock Nut        |
| 6    | 2    | NL1719   | Washer          |
| 7    | 1    | NL1717   | Return Spring   |



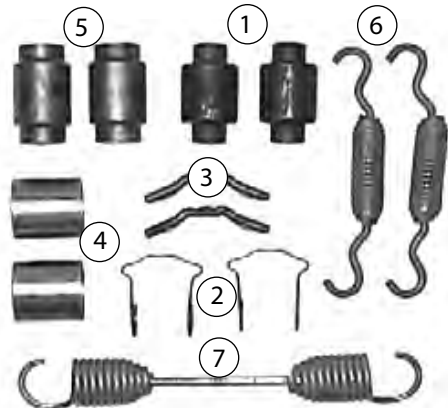
15" FRONT (STEERING)  
"Q PLUS" BRAKE

Interchange numbers E9064,  
NL1650, R508824

**Part No. KIT8824HD**

Kit services one brake and consists of:

| Item | Qty. | Part No.    | Description         |
|------|------|-------------|---------------------|
| 1    | 2    | 1779-R-18   | Brake Shoe Roller   |
| 2    | 2    | 3015-B-210  | Roller Retainer     |
| 3    | 2    | 1218-G-85   | Return Spring Pin   |
| 4    | 2    | 1225-B-496  | Bushing, Anchor Pin |
| 5    | 2    | 1259-N-274  | Anchor Pin          |
| 6    | 2    | 2258-Q-615  | Retaining Spring    |
| 7    | 1    | 2258-L-1234 | Return Spring       |



15" FRONT (STEERING)

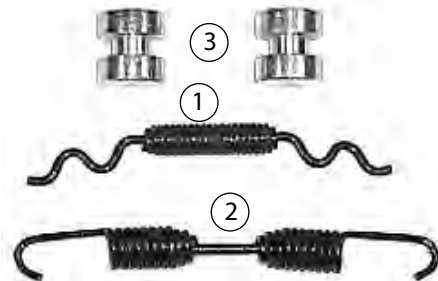
"Q" BRAKE - Springs and rollers only.

Interchange numbers E7899

**Part No. NL1685**

Kit services one brake and consists of:

| Item | Qty. | Part No. | Description     |
|------|------|----------|-----------------|
| 1    | 1    | NL1718   | Retainer Spring |
| 2    | 1    | NL1717   | Return Spring   |
| 3    | 2    | NL1712   | Roller          |



Rockwell 15" "Q", "Q Plus", Front Brake

Interchange numbers

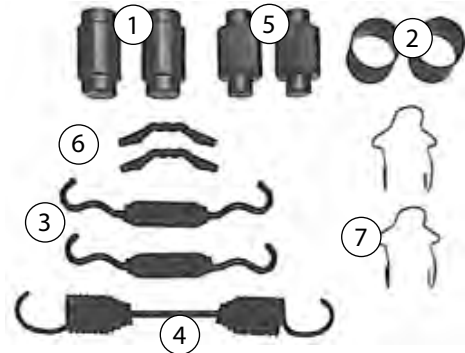
R508824, E9064,

KIT8824HD (also in stock)

**Part No. NL1650**

Kit services one brake and consists of:

| Item | Qty. | Part No. | Description        |
|------|------|----------|--------------------|
| 1    | 2    | E-2766   | Anchor Pin         |
| 2    | 2    | E-1893   | Anchor Pin Bushing |
| 3    | 2    | E-2767   | Retainer Spring    |
| 4    | 1    | E-9063   | HD Return Spring   |
| 5    | 2    | E-2177   | Knurled Roller     |
| 6    | 2    | E-747    | Spring Retainer    |
| 7    | 2    | E-3007A  | Roller Retainer    |





**BRAKE SHOE HARDWARE REPAIR KITS - 15"**

Brake Hardware Kit for 15 x 4 and 16-1/2 x 5, 6, 7 w/ 14° wedge.

**Part No. HK95XLS**

| Bendix No. | Description                | Qty. |
|------------|----------------------------|------|
| 19-853     | Return Spring - Heavy Duty | 1    |
| 19-860     | Spring Retainer            | 2    |
| 19-934     | Return Spring              | 1    |
| 20-881     | Return Spring Pin          | 2    |
| 20-887     | Return Spring Pin          | 2    |
| 20-888     | Return Spring Pin          | 2    |
| 32-1427    | Cam Roller - Smooth        | 2    |
| 34-1529    | Cam Roller Retainer        | 2    |



Brake Hardware Kit for 15 x 4 w/ 4729 shoe

**Part No. HK97XLS**

| Bendix No. | Description                   | Qty. |
|------------|-------------------------------|------|
| 19-940     | Retainer Spring - 16-1/2 & 15 | 2    |
| 19-956     | Return Spring                 | 1    |
| 32-1471    | Cam Roller - Knurled          | 2    |
| 34-1570    | Cam Roller Retainer           | 2    |



**BRAKE SHOE HARDWARE REPAIR KITS - "XEM3"**

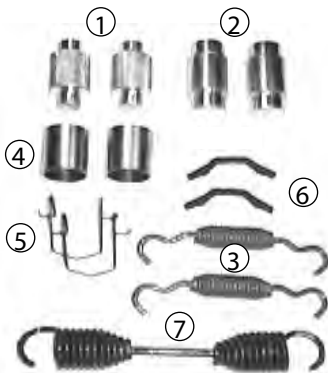
Late "XEM" Brake  
Interchange numbers MK-42, E3710SHD



**Part No. NL1624HD**

Kit services one brake and consists of:

| Item | Qty. | Part No. | Description         |
|------|------|----------|---------------------|
| 1    | 2    | NL1052   | Knurled Roller      |
| 2    | 2    | NL1030   | Anchor Pin          |
| 3    | 2    | NL1086   | Retainer Spring     |
| 4    | 2    | NL1110   | Bushing, Anchor Pin |
| 5    | 2    | NL1200   | Roller Retainer     |
| 6    | 2    | NL1212   | Spring Retainer     |
| 7    | 1    | NL1084   | Return Spring       |



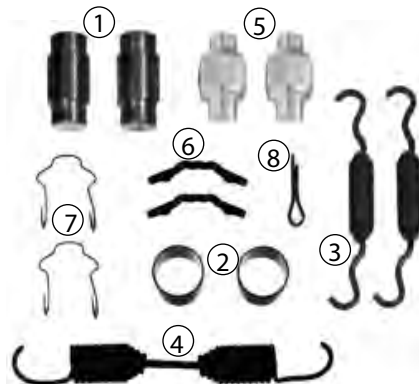
Fruehauf "Propar" 16-1/2" late model "XEM"

**Part No. E-3710SHD**

Kit services one brake and consists of:



| Item | Qty. | Part No. | Description        |
|------|------|----------|--------------------|
| 1    | 2    | E-3711S  | Anchor Pin         |
| 2    | 2    | E-1893S  | Anchor pin bushing |
| 3    | 2    | E-2767   | Retainer Spring    |
| 4    | 1    | E-3490S  | Return Spring      |
| 5    | 2    | E-11741  | Roller             |
| 6    | 2    | E-747    | Spring Retainer    |
| 7    | 2    | E-3007A  | Retainer, Roller   |
| 8    | 1    | E-1559   | Cotter Pin         |





# BRAKE SHOE HARDWARE REPAIR KITS - 12.25"

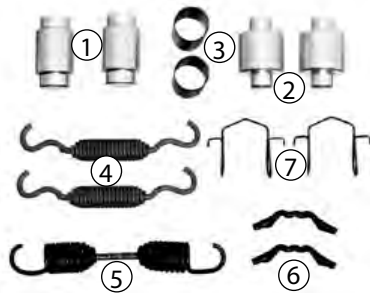
12-1/4" "Q" BRAKE for 4692FC  
Interchange number HK49-150



**Part No. E-10756**

Kit services one brake and consists of:

| Item | Qty. | Part No. | Description        |
|------|------|----------|--------------------|
| 1    | 2    | E-2766S  | Anchor Pin         |
| 2    | 2    | E-586    | Roller             |
| 3    | 2    | E-1893S  | Anchor Pin Bushing |
| 4    | 2    | E-2767   | Retainer Spring    |
| 5    | 1    | E-2398   | Return Spring      |
| 6    | 2    | E-747    | Spring Retainer    |
| 7    | 2    | E-539    | Roller Retainer    |



Standard forge 12-1/4 brake with fabricated shoes.

**Part No. E-2402HD**

Kit services one brake and consists of:

| Item | Qty. | Part No. | Description            |
|------|------|----------|------------------------|
| 1    | 2    | E-2390   | Anchor Pin             |
| 2    | 4    | E-2391   | Anchor pin washer      |
| 3    | 4    | E-2392   | Anchor Pin retainer    |
| 4    | 2    | E-2395   | Roller                 |
| 5    | 2    | E-2396   | Roller Pin             |
| 6    | 2    | E-527    | Roller pin retainer    |
| 7    | 1    | E-2398   | Return spring          |
| 8    | 2    | E-2399   | Retainer               |
| 9    | 2    | E-2389   | Anchor pin bushing     |
| 10   | 2    | E-1106   | Anchor pin lock washer |



12-1/4" "Q" BRAKE for 4692FC  
Interchange numbers E10756



**Part No. HK49-150**

Kit services one brake and consists of:

| Bendix No. | Description              | Qty. |
|------------|--------------------------|------|
| 15-537     | Anchor Pin               | 2    |
| 15-542     | Anchor Pin               | 2    |
| 16-565     | Anchor Pin Bushing       | 2    |
| 19-862     | Return Spring-HD         | 1    |
| 19-941     | Retainer Spring - 12 1/4 | 2    |
| 20-881     | Return Spring Pin        | 2    |
| 32-1427    | Cam Roller - Smooth      | 2    |
| 34-1527    | Camshaft Lockring        | 4    |
| 34-1529    | Cam Roller Retainer      | 2    |
| 35-1581    | Anchor Pin Washer        | 4    |



4692 Quick change, U brake 12-1/4"

**Part No. E-3782**

Kit services one brake and consists of:

| Item | Qty. | Part No. | Description     |
|------|------|----------|-----------------|
| 1    | 2    | E-5304   | Anchor Pin      |
| 2    | 2    | E-11741  | Roller          |
| 3    | 2    | E-3007A  | Roller Retainer |
| 4    | 1    | E-2398   | Return Spring   |
| 5    | 2    | E-747    | Spring Retainer |
| 6    | 1    | E-5305   | Retainer Spring |



**ALSO AVAILABLE:**

| Part No.       | Description       |
|----------------|-------------------|
| <b>E-10875</b> | Dexter "PQ" shoes |







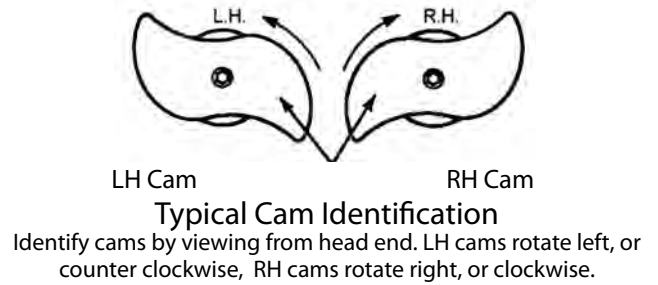
## BRAKE SHOE HARDWARE COMPONENTS

|   |  |                    |                                |  |   |
|---|--|--------------------|--------------------------------|--|---|
|    | Part No.<br><b>E-2177</b><br>Knurled<br>Roller         | OD<br>1-1/4"       | OA Length<br>2-1/4"            | Application<br>General purpose<br>roller                           | Replaces<br>RS 1779R18<br>P & Q brakes<br>M2204<br>01-234                             |
|    | Part No.<br><b>E-781</b><br>Roller                     | OD<br>1-3/8"       | OA Length<br>2-1/4"            | Application<br>1/8 oversize<br>version of NL1050                   | Replaces<br>Fruehauf 330733X<br>RS 1779C81<br>T/M 46-1-031M596A,<br>1-20, E-781, L294 |
|    | Part No.<br><b>3105B210</b><br>Roller Retainer         | Length<br>1-41/64" | Width<br>1-7/8"                | Application<br>16-1/2" Q & Q Plus<br>Brake shoes                   | Replaces<br>M1433, 1-313,<br>E-3007A, L1537   |
|    | Part No.<br><b>E-539</b><br>Roller Retainer            | Length<br>2-5/32"  | Width<br>2-9/32"               | Application<br>All sizes of "P" type<br>Brake shoes                | Replaces<br>Rockwell 1718-Y-103<br>M644, 1-300, L151                                  |
|   | <b>E-2766S</b><br>Anchor Pin<br>(100 / box)            | 2-7/32"            | Center<br>1-1/4"<br>Ends<br>1" | Rockwell Q &<br>Dana/Spicer<br>"Fast Change"                       | Replaces<br>16WJ105<br>M1422,<br>01-434, L1416  |
|  | Part No.<br><b>NL1205</b><br>Snap Ring<br>(25 / box)   | I.D.<br>1-1/8"     | Thick<br>1/16"                 | Application<br>For 1-1/4"<br>anchor pins                           | Replaces<br>M1523, E801, 01-482, L397   |
|  | <b>NL1210</b><br>Lock Ring<br>(100 / box)              | 1-1/2"             | 1/16"                          | For Propar 1-5/8"<br>diameter camshaft                             | M1046, E1569, 04-315  |
|  | <b>NL1250</b><br>Washer                                | 1-7/8" OD          | 1-17/64" ID                    | For 1-1/4"<br>anchor pins  | Rockwell 1229-B-1848<br>M748, E1113, 04-309, L889                                     |
|  | <b>E-2768</b><br>Return<br>Spring                      | 8-3/8"             | 1-1/8"                         | Rockwell "Q" brakes<br>standard duty                               | 2258-U-619<br>M1424,<br>L1418, 01-369   |
|  | <b>E-3490B</b><br>Return<br>Spring                     | 8-3/8"             | 1-1/4"                         | Rockwell "Q" &<br>"Q Plus" brakes,<br>Fruehauf XEM,<br>heavy duty. | 2258-W-803<br>M2732, 1-369, L2098   |
|  | <b>E-2767</b><br>Retainer<br>Spring                    | 5-1/2"             | 3/4"                           | Rockwell 12-1/4"<br>& 16-1/2" diameter                             | Rockwell 2258-Q-615<br>Fruehauf ACF-003079-001  |
|  |  |                    |                                | "Q" & "Q Plus",<br>Fruehauf and Spicer<br>brakes.                  | M1423, 1-370, L1417   |
|  | Part No.<br><b>E-747</b><br>Retainer                   | Length<br>2-3/4"   |                                | Application<br>For most fab shoes.                                 | Replaces<br>M16WJ102, L324  |
|  | Part No.<br><b>E-1893</b><br>Anchor Pin spider bushing | Length<br>1-29/64" |                                | Application<br>Stainless steel. Smooth I.D. No slot                | Replaces<br>02219, B888S, L888  |

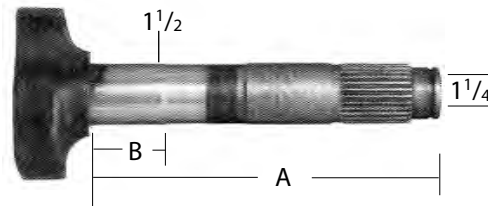


**BRAKE CAMSHAFTS**

Cams are identified for reference as shown; however some applications require special chamber and cam positions, which may change cam rotation. When replacing, check carefully!



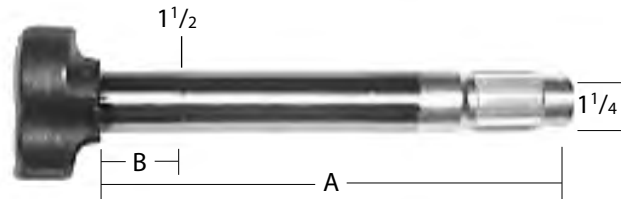
**1-1/2" DIAMETER,  
28 SPLINE CAMS FOR  
DRIVE AXLES. 1-3/16" HEAD  
16-1/2" "Q-PLUS" BRAKES**



| Part No.         |    | A                                  | B                                 | C | Interchange Information |
|------------------|----|------------------------------------|-----------------------------------|---|-------------------------|
| <b>2210W7537</b> | LH | 11 <sup>9</sup> / <sub>16</sub> "  | 1 <sup>13</sup> / <sub>16</sub> " | - | E9661, E3351            |
| <b>2210V7536</b> | RH |                                    |                                   |   | E9662, E3352            |
| <b>2210A7645</b> | LH | 14 <sup>19</sup> / <sub>32</sub> " | 1 <sup>13</sup> / <sub>16</sub> " | - | E9677                   |
| <b>2210Z7644</b> | RH |                                    |                                   |   | E9678                   |
| <b>2210S7689</b> | LH | 15 <sup>45</sup> / <sub>64</sub> " | 1 <sup>13</sup> / <sub>16</sub> " | - | E9683                   |
| <b>2210R7688</b> | RH |                                    |                                   |   | E9684                   |
| <b>2210W7693</b> | LH | 15 <sup>13</sup> / <sub>16</sub> " | 1 <sup>13</sup> / <sub>16</sub> " | - | E11585                  |
| <b>2210V7692</b> | RH |                                    |                                   |   | E11584                  |

**Cam Bushing Kit No: E-3993B**

**1-1/2" DIA. 28 SPLINE CAMS  
FOR DRIVE AXLES. 1-3/8" HEAD**  
FOR MERITOR  
16<sup>1</sup>/<sub>2</sub>" "Q" BRAKES



| Part No.         |    | A                                 | B                                 | Interchange Information        |
|------------------|----|-----------------------------------|-----------------------------------|--------------------------------|
| <b>2210Q7427</b> | LH | 8 <sup>9</sup> / <sub>16</sub> "  | 1 <sup>13</sup> / <sub>16</sub> " | E4896, E9649                   |
| <b>2210P7426</b> | RH |                                   |                                   | E4897, E9650                   |
| <b>2210C7595</b> | LH | 13 <sup>7</sup> / <sub>32</sub> " | 1 <sup>13</sup> / <sub>16</sub> " | E4731, NL1946, E9671           |
| <b>2210B7594</b> | RH |                                   |                                   | E4730, NL1947, E9672           |
| <b>Part No.</b>  |    | <b>A</b>                          | <b>B</b>                          | <b>Interchange Information</b> |
| <b>2210J7524</b> | LH | 10 <sup>7</sup> / <sub>32</sub> " | 1 <sup>13</sup> / <sub>16</sub> " | E3349, E9659                   |
| <b>2210H7522</b> | RH |                                   |                                   | E3350, E9660                   |
| <b>2210W7537</b> | LH | 11 <sup>9</sup> / <sub>16</sub> " | 1 <sup>13</sup> / <sub>16</sub> " | E3351, M2614L, E9661           |
| <b>2210V7536</b> | RH |                                   |                                   | E3352, M2614R, E9662           |

**Cam Bushing Kit No: E-3993B**

**1-1/2-10 EATON ES FOR DRIVE AXLES 1-1/8" HEAD ON ES - 15" BRAKES:**

|              |    |                                  |                                 |         |
|--------------|----|----------------------------------|---------------------------------|---------|
| <b>E5492</b> | LH | 11 <sup>1</sup> / <sub>2</sub> " | 1 <sup>3</sup> / <sub>4</sub> " | R607105 |
| <b>E5493</b> | RH |                                  |                                 | R607106 |

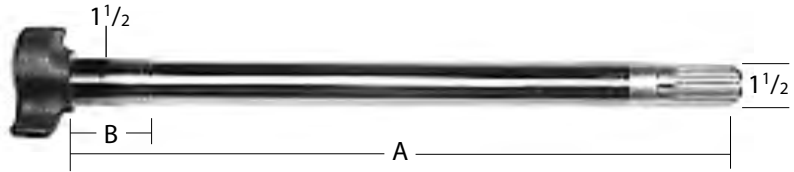
**Cam Bushing Kit No: E-10897**



**BRAKE CAMSHAFTS**

**1-1/2" DIAMETER, 10 SPLINE CAMS FOR TRAILER AXLES**

SINGLE GROOVE  
FOR 16 1/2" BRAKES  
Various Applications

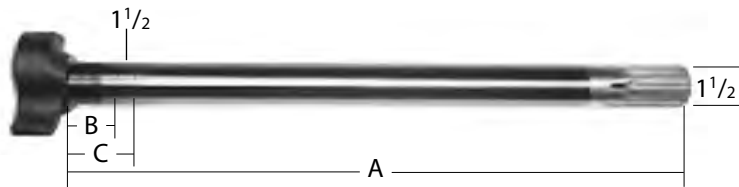


| Part No.         |    | A                                 | B                                | Interchange Information  |
|------------------|----|-----------------------------------|----------------------------------|--------------------------|
| <b>2210A6319</b> | LH | 21 <sup>3</sup> / <sub>32</sub> " | 2 <sup>7</sup> / <sub>32</sub> " | E685, M16WK103-19, M567L |
| <b>2210Z6318</b> | RH |                                   |                                  | E684, M16WK102-19, M567R |
| <b>R607056</b>   | LH | 22 <sup>7</sup> / <sub>8</sub> "  | 2 <sup>7</sup> / <sub>32</sub> " | E4884                    |
| <b>R607055</b>   | RH |                                   |                                  | E4885                    |

**Cam Bushing Kit No: NL1238**

**1-1/2" DIAMETER, 10 SPLINE CAMS FOR TRAILER AXLES**

DOUBLE GROOVE  
FOR 16 1/2" BRAKES  
Various Applications

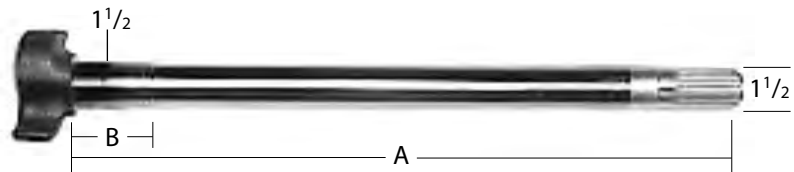


**Cam Bushing Kit No: NL1238**

| Part No.      |    | A                                 | B                                | C                                | Interchange Information                          |
|---------------|----|-----------------------------------|----------------------------------|----------------------------------|--|
| <b>NL1318</b> | LH | 20 <sup>3</sup> / <sub>8</sub> "  | 2 <sup>7</sup> / <sub>32</sub> " | 1 <sup>5</sup> / <sub>8</sub> "  | R607082, M16WK103-17, E1425, 04-243, M562L, L915 |
| <b>NL1319</b> | RH |                                   |                                  |                                  | R607081, M16WK102-17, E1424, 04-242, M562R, L914 |
| <b>NL1326</b> | LH | 23 <sup>7</sup> / <sub>16</sub> " | 2 <sup>5</sup> / <sub>16</sub> " | 2 <sup>7</sup> / <sub>32</sub> " | E1095, 4-104, L580, R607002, M16WK103-25, M744L  |
| <b>NL1327</b> | RH |                                   |                                  |                                  | E1094, 4-105, L581, R607001, M16WK102-25, M744R  |

**1-1/2" DIAMETER, 28 SPLINE DEXTER CAMS FOR TRAILER AXLES**

FOR 12 1/4" BRAKES  
Small "S" Head Hi-Rise

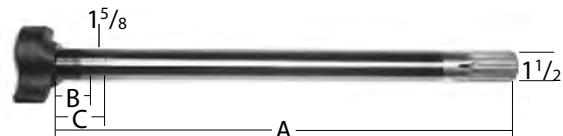


| Part No.          |    | A                                 | B                                | Interchange Information |
|-------------------|----|-----------------------------------|----------------------------------|-------------------------|
| <b>034-188-03</b> | LH | 22 <sup>5</sup> / <sub>16</sub> " | 2 <sup>7</sup> / <sub>32</sub> " | E-10923                 |
| <b>034-189-03</b> | RH |                                   |                                  | E-10924                 |
| <b>034-188-06</b> | LH | 30"                               | 2 <sup>7</sup> / <sub>32</sub> " | --                      |
| <b>034-189-06</b> | RH |                                   |                                  | --                      |

**Cam Bushing Kit No: NL1240**

FOR SPICER 12 1/4" BRAKES  
Double Groove

| Part No.      |    | A   | B                                | C                                 |
|---------------|----|-----|----------------------------------|-----------------------------------|
| <b>17-413</b> | LH | 22" | 2 <sup>7</sup> / <sub>32</sub> " | 2 <sup>21</sup> / <sub>32</sub> " |
| <b>17-412</b> | RH |     |                                  |                                   |





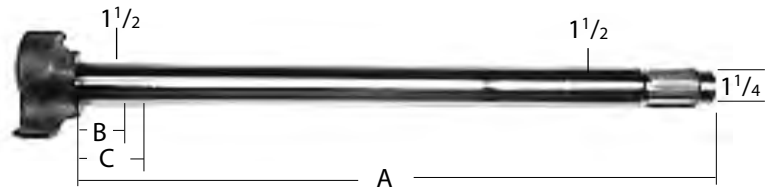
**BRAKE CAMSHAFTS**

1-5/8" DIAMETER,  
28 SPLINE CAMS FOR  
DANA SPICER XL  
TRAILER AXLE  
16-1/2" BRAKES w/ 1-5/8  
BEARING JOURNAL



| Part No.      |    | A                                 | B                                | C | Interchange Information                              |
|---------------|----|-----------------------------------|----------------------------------|---|--|
| <b>17-931</b> | LH | 24 <sup>1</sup> / <sub>8</sub> "  | 2 <sup>1</sup> / <sub>4</sub> "  | - | M16WKL25-241, M16WKL25-242, E-10909, NL1966, R607277 |
| <b>17-930</b> | RH |                                   |                                  |   | M16WKR25-241, M16WKR25-242, E-10910, NL1967, R607278 |
| <b>17-923</b> | LH | 21 <sup>5</sup> / <sub>8</sub> "  | 2 <sup>1</sup> / <sub>4</sub> "  | - | M16WKL25-215   |
| <b>17-922</b> | RH |                                   |                                  |   | M16WKR25-215   |
|               |    |                                   |                                  |   | <b>Cam Bushing Kit No: E-9790A</b>                   |
| <b>NL1956</b> | LH | 23 <sup>9</sup> / <sub>16</sub> " | 2 <sup>7</sup> / <sub>32</sub> " | - | M16WKL25-236, R607232, E9736                         |
| <b>NL1957</b> | RH |                                   |                                  |   | M16WKR25-236, R607231, E9735                         |

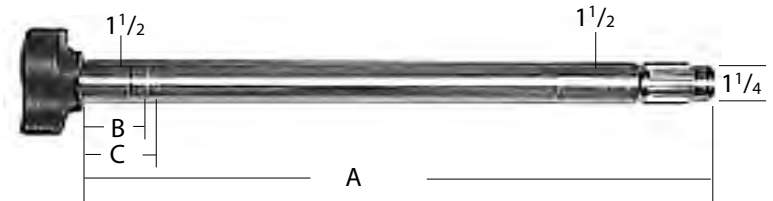
1-1/2" DIAMETER,  
28 SPLINE CAMS FOR  
SPICER TRAILER AXLES  
16-1/2" "XTRALIFE" BRAKES  
w/ DOUBLE GROOVE JOURNAL



**Cam Bushing Kit No: NL1238**

| Part No.      |    | A                                 | B                               | C                                | Interchange Information             |
|---------------|----|-----------------------------------|---------------------------------|----------------------------------|-------------------------------------|
| <b>NL1378</b> | LH | 20 <sup>7</sup> / <sub>16</sub> " | 1 <sup>5</sup> / <sub>8</sub> " | 2 <sup>7</sup> / <sub>32</sub> " | Spicer M16WKL20-205, E5524, R607181 |
| <b>NL1379</b> | RH |                                   |                                 |                                  | Spicer M16WKR20-205, E5525, R607182 |
| <b>NL1380</b> | LH | 23 <sup>9</sup> / <sub>16</sub> " | 1 <sup>5</sup> / <sub>8</sub> " | 2 <sup>7</sup> / <sub>32</sub> " | Spicer M16WKL20-236, E5526, R607183 |
| <b>NL1381</b> | RH |                                   |                                 |                                  | Spicer M16WKR20-236, E5527, R607184 |
| <b>NL1920</b> | LH | 24 <sup>1</sup> / <sub>16</sub> " | 1 <sup>5</sup> / <sub>8</sub> " | 2 <sup>7</sup> / <sub>32</sub> " | Spicer M16WKL20-242, E9100, R607199 |
| <b>NL1921</b> | RH |                                   |                                 |                                  | Spicer M16WKR20-242, E9101, R607200 |

1-1/2" DIAMETER,  
28 SPLINE CAMS FOR  
SPICER TRAILER AXLES  
16-1/2" BRAKES  
w/ DOUBLE GROOVE JOURNAL



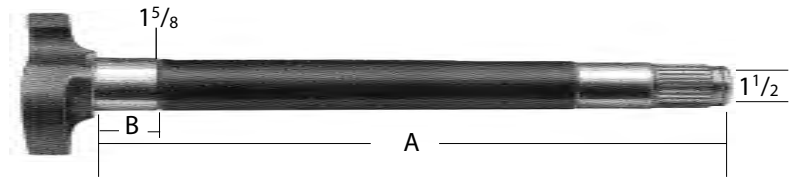
**Cam Bushing Kit No: NL1238**

| Part No.       |    | A                                 | B                               | C                                | Interchange Information                           |
|----------------|----|-----------------------------------|---------------------------------|----------------------------------|---|
| <b>17-481</b>  | LH | 20 <sup>3</sup> / <sub>8</sub> "  | 1 <sup>5</sup> / <sub>8</sub> " | 2 <sup>7</sup> / <sub>32</sub> " | M16WK105-17, E3854, R607169                       |
| <b>17-480</b>  | RH |                                   |                                 |                                  | M16WK104-17, E3855, R607170                       |
| <b>NL1916</b>  | LH | 23 <sup>7</sup> / <sub>16</sub> " | 1 <sup>5</sup> / <sub>8</sub> " | 2 <sup>7</sup> / <sub>32</sub> " | R607171, M16WK104-25, E3856, M16WKL20-234, 17-483 |
| <b>NL1917</b>  | RH |                                   |                                 |                                  | R607172, M16WK105-25, E3857, M16WKR20-234, 17-482 |
| <b>R607189</b> | LH | 22 <sup>7</sup> / <sub>8</sub> "  | 1 <sup>5</sup> / <sub>8</sub> " | 2 <sup>7</sup> / <sub>32</sub> " | M16WK104-23, E6884, M16WKL20-227                  |
| <b>R607190</b> | RH |                                   |                                 |                                  | M16WK105-23, E6885, M16WKR20-227                  |



**BRAKE CAMSHAFTS**

1-1/2" DIAMETER,  
28 SPLINE CAMS FOR  
EATON TRAILER AXLES  
16-1/2" ES BRAKES



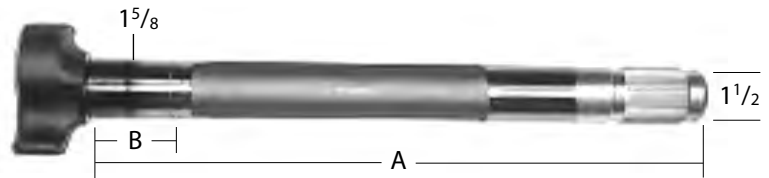
| Part No.                          |    | A       | B       | C      | Interchange Information |
|-----------------------------------|----|---------|---------|--------|-------------------------|
| <b>R607113</b>                    | LH | 23 3/4" | 2 5/32" | -      | E9059                   |
| <b>R607114</b>                    | RH |         |         |        | E9060                   |
| <b>Cam Bushing Kit No: NL1277</b> |    |         |         |        |                         |
| <b>17-512</b>                     | LH | 17 3/8" | 1 5/8"  | 27/32" | E5523                   |
| <b>17-513</b>                     | RH |         |         |        | E5522                   |

1-1/2" DIAMETER,  
28 SPLINE CAMS FOR  
HENDRICKSON INTRAAX



| Part No.   |    | A   | B       | C | Interchange Information |
|--|----|-----|---------|---|-------------------------|
| <b>S24636-1L</b>   | LH | 11" | 2 7/16" | - | Hendrickson Intraax     |
| <b>S24636-1R</b>   | RH |     |         |   | Hendrickson Intraax     |
| <b>Cam Bushing Kit No: S23974<br/>(or S21181 if before 11/24/97)</b> |    |     |         |   |                         |
| <b>NL1970</b>  | LH | 11" | 2 7/16" | - | Hendrickson Intraax     |
| <b>NL1971</b>  | RH |     |         |   | Hendrickson Intraax     |

1-5/8" DIAMETER,  
37 SPLINE CAMS FOR  
FRUEHAUF TRAILER AXLES  
16 1/2" BRAKES



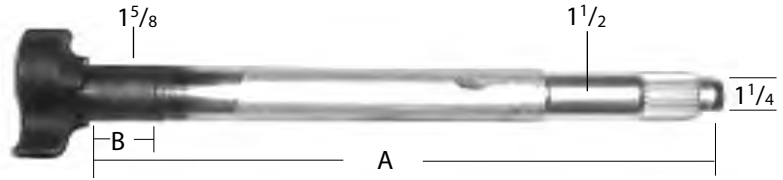
**Cam Bushing Kit No: NL1228**

| Part No.       |    | A       | B       | Interchange Information           |
|----------------|----|---------|---------|-----------------------------------|
| <b>NL1334</b>  | LH | 16 1/8" | 2 5/32" | AXA-0420-1, M563L, E1563, R607011 |
| <b>NL1335</b>  | RH |         |         | AXA-0420-2, M563R, E1564, R607012 |
| <b>NL1337</b>  | LH | 21 1/8" | 2 5/32" | AXA-0420-3, M566L, E2099, R607020 |
| <b>NL1336</b>  | RH |         |         | AXA-0420-4, M566R, E2100, R607019 |
| <b>R607162</b> | LH | 23 7/8" | 2 7/32" | AXA-0420-6, E3861                 |
| <b>R607161</b> | RH |         |         | AXA-0420-5, E3862                 |



**BRAKE CAMSHAFTS**

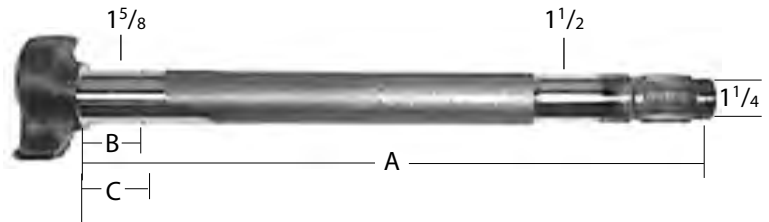
1-1/2" DIAMETER,  
28 SPLINE CAMS FOR  
ROCKWELL TRAILER AXLES  
WITH "Q+" BRAKES  
16 1/2" DIAMETER  
FABRICATED SPIDER



**Cam Bushing Kit No: NL1417**

| Part No.         |    | A                                  | B                                 | Interchange Information                    |
|------------------|----|------------------------------------|-----------------------------------|--|
| <b>2210S8157</b> | LH | 20 <sup>13</sup> / <sub>32</sub> " | 1 <sup>45</sup> / <sub>64</sub> " | 2210R4334, M991L, E-2443A, NL1961, R607273 |
| <b>2210T8158</b> | RH |                                    |                                   | 2210Q4333, M991R, E2444A, NL1960, R607274  |
| <b>2210G6871</b> | LH | 20 <sup>13</sup> / <sub>32</sub> " | 2"                                | 2210P6594, E9093, E5508, NL1964            |
| <b>2210F6870</b> | RH |                                    |                                   | 2210N6592, E9094, E5509, NL1965            |
| <b>NL1940</b>    | LH | 24 <sup>1</sup> / <sub>16</sub> "  | 1 <sup>31</sup> / <sub>32</sub> " | 2210X6576, E6081, E5510, E2445A            |
| <b>NL1941</b>    | RH |                                    |                                   | 2210W6575, E6082, E5511, E2446A            |
| <b>2210E6869</b> | LH | 24 <sup>1</sup> / <sub>16</sub> "  | 1 <sup>31</sup> / <sub>32</sub> " | 2210-X-6576, E6081, E5510                  |
| <b>2210D6868</b> | RH |                                    |                                   | 2210-W-6575, E6082, E5511                  |

1-1/2" DIAMETER,  
28 SPLINE CAMS FOR  
ROCKWELL TRAILER AXLES  
4000-6000 SERIES - Q+  
Double Groove (NL1958/59)  
16 1/2" BRAKES



**Cam Bushing Kit No: NL1280**

| Part No.         |    | A                                 | B                                 | C                                 | Interchange Information             |
|------------------|----|-----------------------------------|-----------------------------------|-----------------------------------|-------------------------------------|
| <b>NL1958</b>    | LH | 17 <sup>5</sup> / <sub>16</sub> " | 1 <sup>25</sup> / <sub>32</sub> " | 1 <sup>31</sup> / <sub>32</sub> " | 2210M4329, M990L, E2441A, 2210R8156 |
| <b>NL1959</b>    | RH |                                   |                                   |                                   | 2210L4328, M990R, E2442A, 2210Q8155 |
| <b>Part No.</b>  |    | A                                 | B                                 |                                   | Interchange Information             |
| <b>2210C6867</b> | LH | 17 <sup>5</sup> / <sub>16</sub> " | 1 <sup>63</sup> / <sub>64</sub> " |                                   | E5506, E9091, L3113, M3170L         |
| <b>2210B6866</b> | RH |                                   |                                   |                                   | E5507, E9092, L3112, M3170R         |
| <b>Part No.</b>  |    | A                                 | B                                 |                                   | Interchange Information             |
| <b>2210R8156</b> | LH | 17 <sup>5</sup> / <sub>16</sub> " | 1 <sup>45</sup> / <sub>64</sub> " |                                   | E2441, M990L                        |
| <b>2210Q8155</b> | RH |                                   |                                   |                                   | E2442, M990R                        |

15" Q+ BRAKES

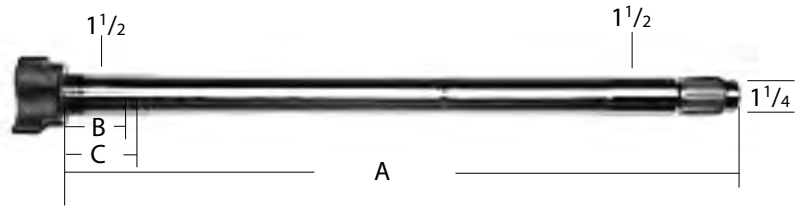
**Cam Bushing Kit No: KIT8883**

| Part No.         |    | A                                | B                                 | Interchange Information |
|------------------|----|----------------------------------|-----------------------------------|-------------------------|
| <b>2210B7958</b> | LH | 23 <sup>3</sup> / <sub>8</sub> " | 1 <sup>63</sup> / <sub>64</sub> " | HQ10698L                |
| <b>2210B7959</b> | RH |                                  |                                   | HQ10699R                |



**BRAKE CAMSHAFTS**

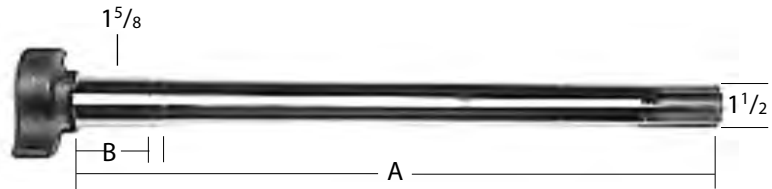
1-1/2" DIAMETER,  
28 SPLINE CAMS FOR  
SPICER TRAILER AXLES  
12-1/4" BRAKES  
Double Groove



**Cam Bushing Kit No: NL1240**

| Part No.       |    | A                                 | B                                | C                                 | Interchange Information     |
|----------------|----|-----------------------------------|----------------------------------|-----------------------------------|-----------------------------|
| <b>R607253</b> | LH | 23 <sup>3</sup> / <sub>16</sub> " | 2 <sup>7</sup> / <sub>32</sub> " | 2 <sup>21</sup> / <sub>32</sub> " | M12WKL20-233, E9759, NL1952 |
| <b>R607254</b> | RH |                                   |                                  |                                   | M12WKR20-233, E9760, NL1953 |

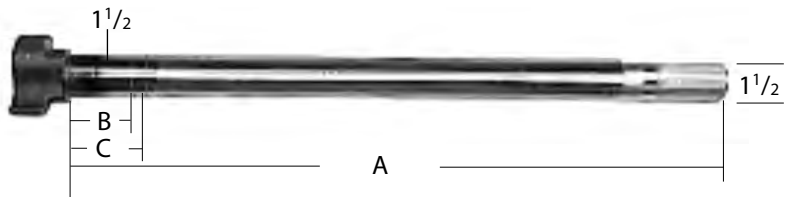
1-1/2" DIAMETER, 28 SPLINE CAMS  
FOR SPICER  
TRAILER AXLES  
12-1/4" Q BRAKES  
w/ 1-5/8" Bearing Journal  
Double Groove



**Cam Bushing Kit No: E-9790A / 43-7118**

| Part No.      |    | A                                | B                               | Interchange Information       |
|---------------|----|----------------------------------|---------------------------------|-------------------------------|
| <b>17-417</b> | LH | 23 <sup>1</sup> / <sub>8</sub> " | 2 <sup>1</sup> / <sub>4</sub> " | M12WKL25-233, E10905, R607273 |
| <b>17-416</b> | RH |                                  |                                 | M12WKR25-233, E10906, R607274 |

1-1/2" DIAMETER,  
10 SPLINE CAMS FOR  
SPICER TRAILER AXLES  
12-1/4" BRAKES



| Part No.       |    | A                                | B                                | C                                 | Interchange Information |
|----------------|----|----------------------------------|----------------------------------|-----------------------------------|-------------------------|
| <b>R607006</b> | LH | 21 <sup>1</sup> / <sub>8</sub> " | 2 <sup>7</sup> / <sub>32</sub> " | 2 <sup>21</sup> / <sub>32</sub> " | E1411, M477L            |
| <b>R607005</b> | RH |                                  |                                  |                                   | E1410, M477R            |
| <b>R607010</b> | LH | 23 <sup>1</sup> / <sub>4</sub> " | 2 <sup>7</sup> / <sub>32</sub> " | 2 <sup>21</sup> / <sub>32</sub> " | E1423, M478L            |
| <b>R607009</b> | RH |                                  |                                  |                                   | E1422, M478R            |

**Cam Bushing Kit No: NL1417**

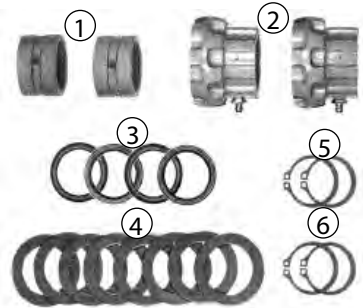


**CAMSHAFT BUSHING KITS**

Late Model Eaton Trailer Axle Brake Kit  
 With "501" Series Brakes, & "ES" Brakes with  
 "Long Life" Cam Support Bushings  
 Interchange numbers MK18, NL1226

**Part No. E-2123**

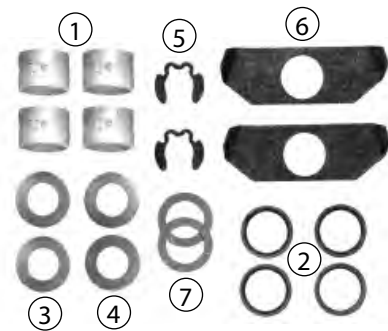
| Item | Qty. | Part No. | Description |
|------|------|----------|-------------|
| 1    | 2    | E-536    | Bushing     |
| 2    | 2    | E-1385   | Bushing     |
| 3    | 4    | E-1416   | Seal        |
| 4    | 8    | E-580    | Washer      |
| 5    | 2    | E-1569   | Lock Ring   |
| 6    | 2    | E-526    | Lock Ring   |



Eaton 15" & 16.5" ES Cam Bushing Kit  
 Interchange numbers 127808N (also in stock)  
 CQ655001, R615015

**Part No. E-5501**

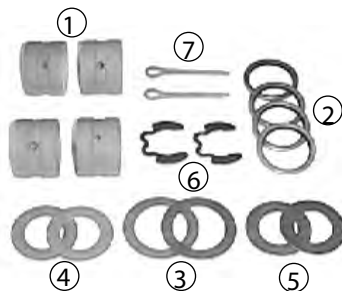
| Item | Qty. | Part No. | Description |
|------|------|----------|-------------|
| 1    | 4    | E-536    | Bushing     |
| 2    | 4    | E-1416   | Seal        |
| 3    | 2    | E-1781   | Washer      |
| 4    | 2    | E-1782   | Washer      |
| 5    | 2    | E-3234   | Lock Ring   |
| 6    | 2    | E-5482   | Washer      |
| 7    | 2    | E-580    | Washer      |



Eaton Self-Contained Drive Axle 16-1/2" Brakes  
 Interchange numbers MK19, E2125, R615002

**Fleetcraft No. NL1227**

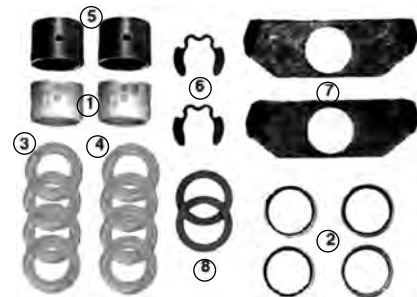
| Item | Qty. | Part No. | Description    |
|------|------|----------|----------------|
| 1    | 4    | NL1134   | Spider Bushing |
| 2    | 4    | NL1235   | Seal           |
| 3    | 2    | NL1258   | Washer         |
| 4    | 2    | NL1262   | Washer         |
| 5    | 2    | NL1261   | Washer         |
| 6    | 2    | NL1744   | Lock Ring      |
| 7    | 2    | NL1464   | Cotter Pin     |



Eaton 15" & 16.5" ES Cam Bushing Kit

**Part No. E-10897**

| Part No. | Item No. | Qty. | Description             |
|----------|----------|------|-------------------------|
| E-536    | 1        | 2    | Camshaft Bushing        |
| E-1416   | 2        | 4    | Camshaft Seal           |
| E-1781   | 3        | 4    | Camshaft Spacer Washer  |
| E-1782   | 4        | 4    | Camshaft Spacer Washer  |
| E-667    | 5        | 2    | Bronze Camshaft bushing |
| E-3234   | 6        | 2    | Camshaft Snap Ring      |
| E-5482   | 7        | 2    | Camshaft Wear Washer    |
| E-580    | 8        | 2    | Camshaft Spacer Washer  |



Eaton Axle With "501" Series 16-1/2" Brakes  
 Interchange numbers MK63, E2696A

**Fleetcraft No. NL1277**

| Item | Qty | Part No. | Description     |
|------|-----|----------|-----------------|
| 1    | 2   | NL1125   | Spider Bushing  |
| 2    | 2   | NL1126   | Support Bushing |
| 3    | 4   | NL1169   | Seal            |
| 4    | 4   | NL1258   | Spacer Washer   |
| 5    | 4   | NL1256   | Spacer Washer   |
| 6    | 2   | NL1217   | Lock Ring       |
| 7    | 2   | NL1213   | Lock Ring       |





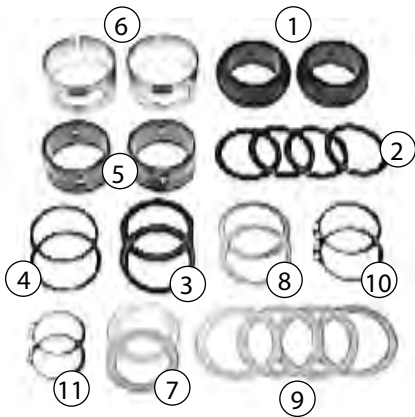


**CAMSHAFT BUSHING KITS**

Rockwell 4000-6000 Trailer Axles 12-1/4" and 16-1/2"  
Interchange numbers MK16, E2382

**Fleetcraft No. NL1224**

| Item | Qty. | Part No. | Description   |
|------|------|----------|---------------|
| 1    | 2    | NL1108   | Bushing       |
| 2    | 4    | NL1109   | "O" Ring      |
| 3    | 2    | NL1153   | Seal          |
| 4    | 2    | NL1156   | "O" Ring Seal |
| 5    | 2    | NL1154   | Inner Bushing |
| 6    | 2    | NL1155   | Outer Bushing |
| 7    | 2    | NL1260   | Spacer Washer |
| 8    | 2    | NL1250   | Spacer Washer |
| 9    | 4    | NL1263   | Spacer Washer |
| 10   | 2    | NL1210   | Lock Ring     |
| 11   | 2    | NL1205   | Lock Ring     |



Rockwell 4000-6000 Trailer Axles 12-1/4" and 16-1/2"  
Brakes. Interchange numbers KIT8048, MK61,  
E3520, E3520A

**Fleetcraft No. NL1280**

| Item | Qty. | Part No. | Description     |
|------|------|----------|-----------------|
| 1    | 2    | NL1179   | Support Bracket |
| 2    | 2    | NL1153   | Seal            |
| 3    | 2    | NL1156   | "O" Ring Seal   |
| 4    | 2    | NL1154   | Inner Bushing   |
| 5    | 2    | NL1155   | Outer Bushing   |
| 6    | 2    | NL1260   | Spacer Washer   |
| 7    | 2    | NL1250   | Spacer Washer   |
| 8    | 4    | NL1263   | Spacer Washer   |
| 9    | 2    | NL1210   | Lock Ring       |
| 10   | 2    | NL1205   | Lock Ring       |



Rockwell Late Trailer with Fabricated Spider  
Interchange numbers MK88, E9079HD, KIT8078A

**Part No. NL1417**

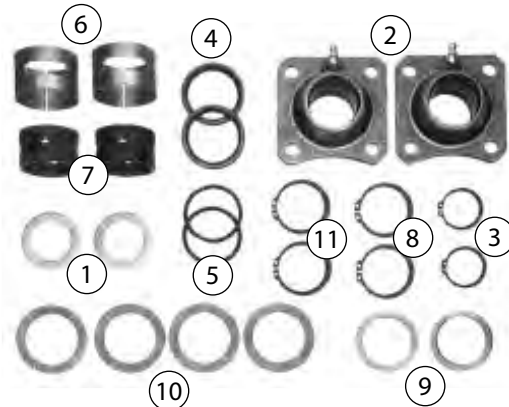
| Item | Qty. | Part No.      | Description      |
|------|------|---------------|------------------|
| 1    | 2    | 1229-R-4100   | Outer Washer     |
| 2    | 2    | A-3105-V-282  | Retainer Bushing |
| 3    | 2    | A-3105-L-1078 | Retainer Bushing |
| 4    | 4    | 1229-B-1848   | Washer           |
| 5    | 2    | 1229-T-4102   | Snap Ring        |
| 6    | 2    | 1229-X-1116   | Snap Ring        |
| 7    | 2    | 1229-S-4101   | Inner Bushing    |
| 8    | 4    | 10-X-1348     | SelfTappingScrew |
| 9    | 4    | 10-X-1421     | Screw            |
| 10   | 4    | 1205-Q-2123   | Seal             |



Late Model Rockwell 4000-6000 Series Trailer Axles  
Interchange numbers KIT8048 (For 2 brakes\*\*)

**Part No. E-3520AHD**

| Item | Qty. | Part No.  | Description    |
|------|------|-----------|----------------|
| 1    | 2    | E-564     | Washer         |
| 2    | 2    | E-1318AHD | Support Assem. |
| 3    | 2    | E-801     | Lock Ring      |
| 4    | 2    | E-2405    | Seal           |
| 5    | 2    | E-2406    | Seal           |
| 6    | 2    | E-2407    | Outer Bushing  |
| 7    | 2    | E-2408    | Inner Bushing  |
| 8    | 2    | E-1569    | Lock Ring      |
| 9    | 2    | E-1113    | Washer         |
| 10   | 4    | E-2411A   | Washer         |
| 11   | 2    | E-5093    | Lock Ring      |





## CAMSHAFT BUSHING KITS

Rockwell Q and Q+ Trailer brakes with Fabricated Spider  
Interchange numbers NL1417, E-9079HD

**Part No. KIT8078A** (KIT 8078 IS 1 WHEEL END)

| Item | Qty. | Part No.      | Description      |
|------|------|---------------|------------------|
| 1    | 2    | 1229-R-4100   | Outer Washer     |
| 2    | 2    | A-3105-V-282  | Retainer Bushing |
| 3    | 2    | A-3105-L-1078 | Retainer Bushing |
| 4    | 4    | 1229-B-1848   | Washer           |
| 5    | 2    | 1229-T-4102   | Snap Ring        |
| 6    | 2    | 1229-X-1116   | Snap Ring        |
| 7    | 2    | 1229-S-4101   | Inner Bushing    |
| 8    | 4    | 10-X-1348     | SelfTappingScrew |
| 9    | 4    | 10-X-1421     | Screw            |
| 10   | 4    | 1205-Q-2123   | Seal             |



Meritor 16-1/2" "Q" Brake for bolt on bushing  
Interchange numbers MK90, E6078

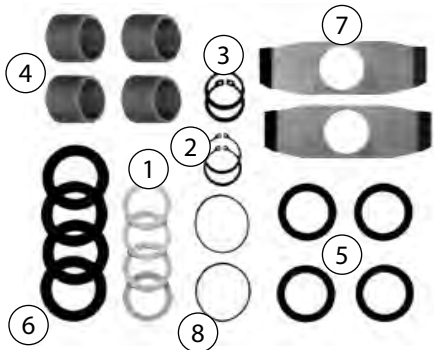
**Part No. KIT8289**

| Item | Qty. | Part No.      | Description      |
|------|------|---------------|------------------|
| 1    | 1    | A-3105-L-1078 | Retainer Bushing |
| 2    | 2    | 1205-Q-2123   | Seal             |
| 3    | 1    | 1229-R-4100   | Outer Washer     |
| 4    | 1    | 1229-S-4101   | Inner Washer     |
| 5    | 1    | 1229-T-4102   | Snap Ring        |
| 6    | 4    | 10-X-1421     | Screw            |



For Meritor 15" and 16-1/2" Drive Axle "Q" and "Q+"  
**Part No. E-3993B**

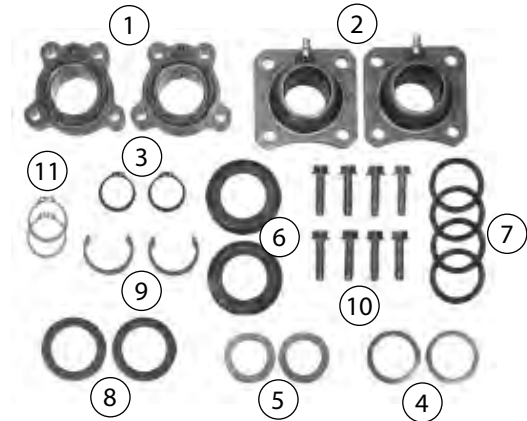
| Item | Qty. | Part No. | Description      |
|------|------|----------|------------------|
| 1    | 4    | E-1113   | Washer           |
| 2    | 2    | E-801    | Lock Ring        |
| 3    | 2    | E-5093   | Lock Ring        |
| 4    | 4    | E-5512   | Bushing - spider |
| 5    | 4    | E-654    | Seal             |
| 6    | 4    | E-3479   | Spacer Washer    |
| 7    | 2    | E-3478   | Wear Washer      |
| 8    | 2    | E-3859   | Seal-rubber      |



Rockwell "Q" & "Q PLUS" Trailer Axle Brakes with  
Fabricated Spider. Interchange numbers  
NL1417, and KIT8078A also in stock.

**Part No. E-9079HD**

| Item | Qty. | Part No.         | Description    |
|------|------|------------------|----------------|
| 1    | 2    | E-6076           | Bushing        |
| 2    | 2    | E-1318AHD        | Support Assem. |
| 3    | 2    | E-5093           | Lock Ring      |
| 4    | 2    | E-1113           | Washer         |
| 5    | 2    | E-564            | Washer         |
| 6    | 2    | E-6077           | Outer Washer   |
| 7    | 4    | E-2405           | Seal           |
| 8    | 2    | E-9072           | Inner Washer   |
| 9    | 2    | E-9077           | Lock Ring      |
| 10   | 8    | Attaching Screws |                |
| 11   | 2    | E-801            | Lock Ring      |





**CAMSHAFT BUSHING KITS**

Fruehauf Late Pro-Par Axles  
Late Pro-Par Axles - 12-1/4" and 16-1/2"  
Interchange numbers MK20, E2090, R615005

**Fleetcraft No. NL1228**

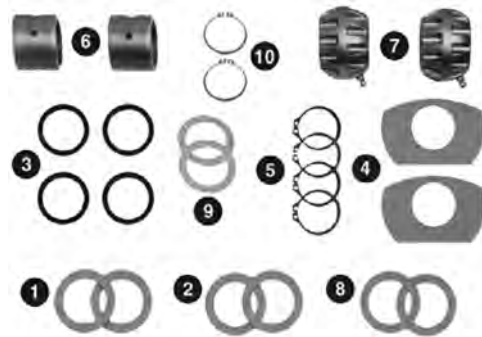
| Item | Qty. | Part No. | Description     |
|------|------|----------|-----------------|
| 1    | 4    | NL1141   | Spider Bushing  |
| 2    | 2    | NL1137   | Support Bushing |
| 3    | 2    | NL1258   | Spacer Washer   |
| 4    | 6    | NL1256   | Spacer Washer   |
| 5    | 2    | NL1217   | Lock Ring       |
| 6    | 2    | NL1210   | Lock Ring       |



Spicer and Standard Forge 12-1/4"  
Interchange numbers E2469, K145, K157, MK24

**Part No. R615010**

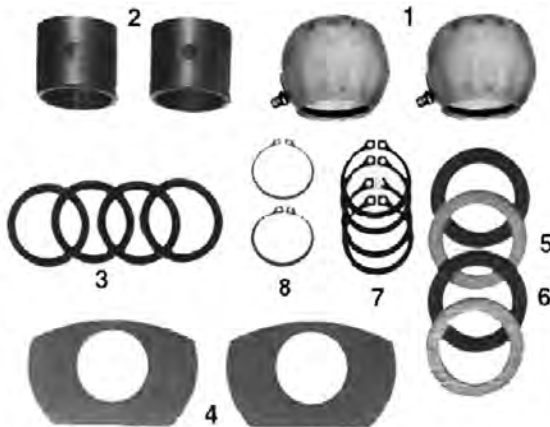
| Part No.    | Item No. | Qty. | Description        |
|-------------|----------|------|--------------------|
| 1229-R-122  | 1        | 2    | Spacer Washer      |
| 1229-Q-771  | 2        | 2    | Spacer Washer      |
| R627008     | 3        | 4    | Camshaft Seal      |
| R627024     | 4        | 2    | Washer             |
| 1229-Z-1118 | 5        | 4    | Snap ring          |
| R617003     | 6        | 2    | Nylon Bushing      |
| R617002     | 7        | 2    | OB Support Bushing |
| R627025     | 8        | 2    | Washer             |
| 1229-Q-433  | 9        | 2    | Washer             |
| 1229-X-1116 | 10       | 2    | Washer             |



12.25 Spicer Dana U Brake

**Part No. E-5307**

| Part No. | Item No. | Qty. | Description             |
|----------|----------|------|-------------------------|
| E-2102   | 1        | 2    | Camshaft Bushing        |
| E-807    | 2        | 2    | Bronze Camshaft Bushing |
| E-1416A  | 3        | 4    | Camshaft Seal           |
| E-2409   | 4        | 2    | Camshaft Spacer Washer  |
| E-580    | 5        | 2    | Camshaft Spacer Washer  |
| E-2404   | 6        | 2    | Camshaft "D" Washer     |
| E-526    | 7        | 4    | Camshaft Lock Ring      |
| E-801    | 8        | 2    | Lock Ring               |

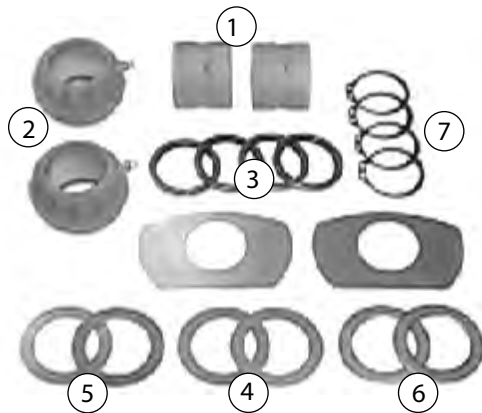


Standard Forge, Late Models

12-1/4" Diameter Brakes, Fabricated Shoes  
Interchange numbers MK26, E2469, R615010

**Fleetcraft No. NL1240**

| Item | Qty | Part No. | Description     |
|------|-----|----------|-----------------|
| 1    | 2   | NL1135   | Spider Bushing  |
| 2    | 2   | NL1138   | Support Bushing |
| 3    | 4   | NL1235   | Seal            |
| 4    | 4   | NL1258   | Spacer Washer   |
| 5    | 2   | NL1253   | Spacer Washer   |
| 6    | 2   | NL1259   | Spacer Washer   |
| 7    | 4   | NL1217   | Lock Ring       |



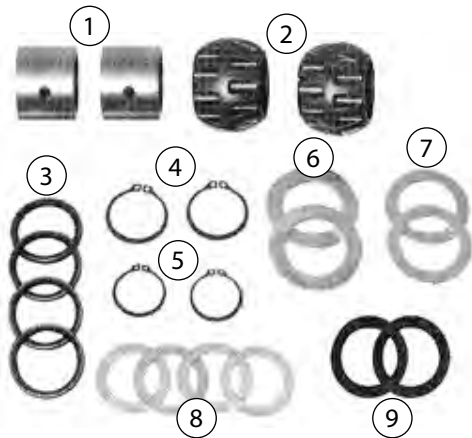


**CAMSHAFT BUSHING KITS**

Dana Spicer 16-1/2" Brake With 1-5/8" Cam Journal  
Interchange numbers R615019

**Part No. E-9790A**

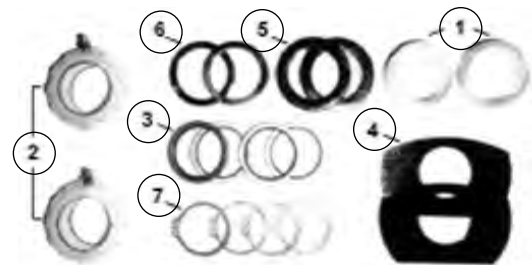
| Item | Qty. | Part No. | Description    |
|------|------|----------|----------------|
| 1    | 2    | E-9789   | Bronze Bushing |
| 2    | 2    | E-9792   | Bushing        |
| 3    | 4    | E-2405   | Seal           |
| 4    | 2    | E-526    | Lock Ring      |
| 5    | 2    | E-801    | Lock Ring      |
| 6    | 2    | E-719    | Washer         |
| 7    | 2    | E-580    | Washer         |
| 8    | 4    | E-1113   | Washer         |
| 9    | 2    | E-2409   | Washer         |



Dana Spicer "XL" "XTRALIFE" 16-1/2" Brakes  
Interchange numbers E2469, R615010

**Part No. 43-7033**

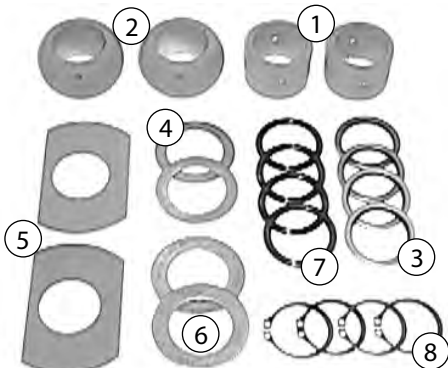
| Item | Qty. | Part No. | Description             |
|------|------|----------|-------------------------|
| 1    | 2    | 28-1232  | Spider Bushing (NL127)  |
| 2    | 2    | 27-1195  | Bracket Bushing (NL138) |
| 3    | 4    | 29-1269  | Spider Seal (NL1235)    |
| 4    | 2    | 29-1319  | Washer (E2404)          |
| 5    | 2    | 29-1326  | Washer (NL1768)         |
| 6    | 2    | 29-1309  | Washer                  |
| 7    | 4    | 29-1301  | Lock Ring (NL1217)      |



Spicer Model With Spherical Cam Bushing  
16-1/2" Diameter Brakes  
Interchange numbers MK64, E2680

**Fleetcraft No. NL1281**

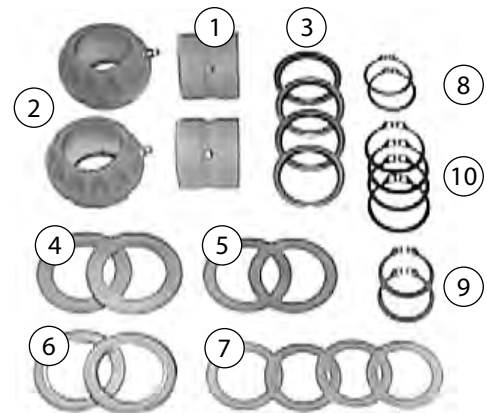
| Item | Qty. | Part No. | Description     |
|------|------|----------|-----------------|
| 1    | 2    | NL1135   | Spider Bushing  |
| 2    | 2    | NL1167   | Support Bushing |
| 3    | 4    | NL1235   | Seal            |
| 4    | 2    | NL1258   | Spacer Washer   |
| 5    | 2    | NL1252   | "D" Washer      |
| 6    | 2    | NL1255   | Spacer Washer   |
| 7    | 4    | NL1109   | "O" Ring        |
| 8    | 4    | NL1217   | Lock Ring       |



16-1/2" Diameter Brakes, Weld-On Spider  
Interchange numbers MK24, E2287, R615008

**Fleetcraft No. NL1238**

| Item | Qty. | Part No. | Description     |
|------|------|----------|-----------------|
| 1    | 2    | NL1135   | Spider Bushing  |
| 2    | 2    | NL1138   | Support Bushing |
| 3    | 4    | NL1463   | Seal            |
| 4    | 2    | NL1255   | Spacer Washer   |
| 5    | 2    | NL1258   | Spacer Washer   |
| 6    | 2    | NL1259   | Spacer Washer   |
| 7    | 4    | NL1250   | Washer          |
| 8    | 2    | NL1205   | Lock Ring       |
| 9    | 2    | NL1266   | Lock Ring       |
| 10   | 4    | NL1217   | Lock Ring       |



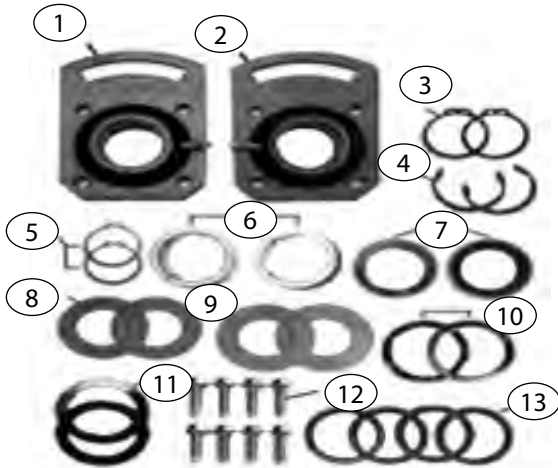


## CAMSHAFT BUSHING KITS

Spicer Bronze Bushing Cam Kit. Interchange number E-9790A similar, comes without cam brackets and screws.

**Part No. 43-7118**

| Item No. | Spicer No. | Description             | Qty. |
|----------|------------|-------------------------|------|
| 1        | 30-1341L   | Cam Bracket Assembly-L  | 1    |
| 2        | 30-1341R   | Cam Bracket Assembly-R  | 1    |
| 3        | 29-1301    | Camshaft Lockring       | 2    |
| 4        | 29-1324    | Camshaft Lockring       | 2    |
| 5        | 34-1525    | Camshaft Lockring       | 2    |
| 6        | 28-1242    | Camshaft Spider Bushing | 2    |
| 7        | 29-1361    | Camshaft Washer         | 2    |
| 8        | 29-1362    | Camshaft Washer         | 2    |
| 9        | 29-1363    | Camshaft Washer         | 2    |
| 10       | 29-1364    | Camshaft Washer         | 2    |
| 11       | 34-1600    | Camshaft Washer         | 2    |
| 12       | 34-1567    | Self Tapping Screw      | 8    |
| 13       | 29-1271    | Spider Seal             | 4    |



Rockwell 16-1/2" Brakes Late "P" Series Trailer Axles  
Interchange numbers MK14,

**Fleetcraft No. E-2088AHD**

CHANGE TO EUCLID SPEC PART NO.'S

| Item | Qty. | Part No. | Description      |
|------|------|----------|------------------|
| 1    | 2    | NL1179   | Support Assembly |
| 2    | 2    | NL1235   | Spider Seal      |
| 3    | 2    | NL1149   | Cam Seal         |
| 4    | 2    | NL1151   | Inner Bushing    |
| 5    | 2    | NL1150   | Outer Bushing    |
| 6    | 6    | NL1260   | Spacer Washer    |
| 7    | 4    | NL1217   | Lock Ring        |



12.25 after 1990, bronze bushings, 4 bolt bracket.

**Part No. 43-7117**

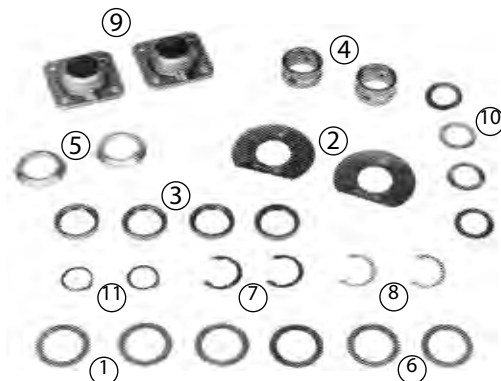
| Item | Part No. | Description             | Qty. |
|------|----------|-------------------------|------|
| 1    | 30-1341L | Cam Bracket Assembly-L  | 1    |
| 2    | 30-1341R | Cam Bracket Assembly-R  | 1    |
| 3    | 29-1301  | Camshaft Lockring       | 2    |
| 4    | 34-1525  | Camshaft Lockring       | 2    |
| 5    | 28-1231  | Camshaft Spider Bushing | 2    |
| 6    | 29-1307  | Camshaft Washer         | 2    |
| 7    | 29-1311  | Camshaft Washer         | 2    |
| 8    | 29-1319  | Camshaft Washer         | 2    |
| 9    | 29-1362  | Camshaft Washer         | 2    |
| 10   | 29-1363  | Camshaft Washer         | 2    |
| 11   | 34-1600  | Camshaft Washer         | 2    |
| 12   | 34-1567  | Self Tapping Screw      | 8    |
| 13   | 29-1208  | Spider Seal             | 4    |



Meritor 16-1/2" "P" & "Q" Brakes - For 2 Brakes\*\*  
Interchange numbers E3989, E9078HD

**Part No. KIT8058**

| Item | Qty. | Part No.     | Description      |
|------|------|--------------|------------------|
| 1    | 4    | 1229-X-3118  | Washer           |
| 2    | 2    | 1229-A-4135  | Washer           |
| 3    | 4    | 1205-Q-2123  | Seal             |
| 4    | 2    | 1225-N-1158  | Camshaft Bushing |
| 5    | 2    | 1229-C-4137  | Spacer Washer    |
| 6    | 2    | 1229-B-4136  | Flat Washer      |
| 7    | 2    | 1229-D-3124  | Snap Ring        |
| 8    | 2    | 1229-T-4102  | Snap Ring        |
| 9    | 2    | A-3105-V-282 | Retainer Washer  |
| 10   | 4    | 1229-B-1848  | Washer           |
| 11   | 2    | 1229-X-1116  | Snap Ring        |





## CAMSHAFT BUSHING KITS

S Cam Major Kit Intraxx, 1-1/2",  
Interchange numbers E9791HD

**Part No. S21181**

| Qty. | Description                    |
|------|--------------------------------|
| 2    | Spide retaining ring           |
| 2    | Spline Retaining Ring          |
| 4    | S Cam journal washer           |
| 2    | Spider camshaft bushing        |
| 2    | Outer s-cam washer             |
| 2    | S-cam support bushing assembly |
| 4    | Spider seal                    |
| 6    | Spindle Inner washer           |
| 2    | Roller Retainer                |



Bronze Bushing Cam Kit.  
Interchange number 43-7118

**Fleetcraft No. NL4300**

| Description             | Qty. |
|-------------------------|------|
| Cam Bracket Assembly-L  | 1    |
| Cam Bracket Assembly-R  | 1    |
| Camshaft Lockring       | 2    |
| Camshaft Lockring       | 2    |
| Camshaft Lockring       | 2    |
| Camshaft Spider Bushing | 2    |
| Camshaft Washer         | 2    |
| Camshaft Washer         | 2    |
| Camshaft Washer         | 2    |
| Camshaft Washer         | 2    |
| Camshaft Washer         | 2    |
| Self Tapping Screw      | 8    |
| Spider Seal             | 4    |



Meritor 16-1/2" "Q" Brake for bolt on bushing  
Interchange numbers MK90, E6078,  
KIT8289 (also in stock.)

**Part No. NL4500**

| Item | Qty. | Part No.      | Description      |
|------|------|---------------|------------------|
| 1    | 1    | A-3105-L-1078 | Retainer Bushing |
| 2    | 2    | 1205-Q-2123   | Seal             |
| 3    | 1    | 1229-R-4100   | Outer Washer     |
| 4    | 1    | 1229-S-4101   | Inner Washer     |
| 5    | 1    | 1229-T-4102   | Snap Ring        |
| 6    | 4    | 10-X-1421     | Screw            |





**CAMSHAFT BUSHING KITS**

S Cam Major Kit Intraax, 1-5/8"  
 1 kit per axle for S24636-1 camshaft.  
 Interchange number E11450HD, R615024  
**Part No. S23974**

| Qty. | Description                    |
|------|--------------------------------|
| 2    | Spider retaining ring          |
| 2    | Spline Retaining Ring          |
| 4    | S Cam journal washer           |
| 2    | Spider camshaft bushing        |
| 2    | Outer s-cam washer             |
| 2    | S-cam support bushing assembly |
| 4    | Spider seal                    |
| 6    | Spindle Inner washer           |
| 2    | Roller Retainer                |



Camshaft tube service kit.  
 Hendrickson Intraax 16.5" brake.  
 Services one camshaft. '4-tabbed design.'  
**Part No. S28890**

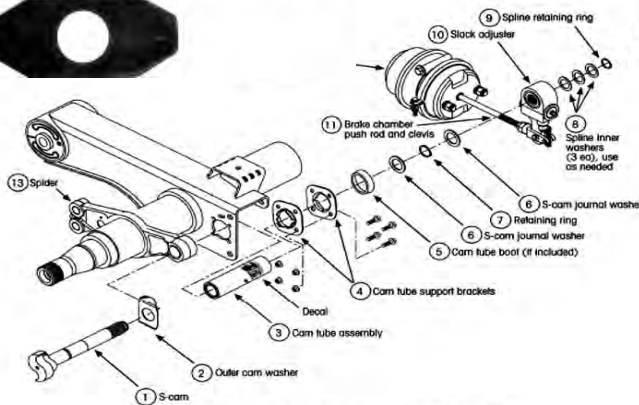


Figure 3. Cam Tube System parts identification (refer to L1104 for part numbers)

S Cam Major Kit Intraax, 1-5/8"  
 1 kit per axle for S24636-1 camshaft.  
 Interchange number E11450HD, R615024  
**Fleetcraft No. NL4200**

| Qty. | Description                    |
|------|--------------------------------|
| 2    | S-cam support bushing assembly |
| 2    | Spider retaining ring          |
| 2    | Spline Retaining Ring          |
| 4    | S Cam journal washer           |
| 2    | Spider camshaft bushing        |
| 2    | Outer s-cam washer             |
| 4    | Spider seal                    |
| 6    | Spindle Inner washer           |
| 2    | Roller Retainer                |



Camshaft tube service kit.  
 Hendrickson Intraax 16.5" brake.  
 Services one camshaft. '4-tabbed design.'  
**Fleetcraft No. NL4400**





### CAMSHAFT SUPPORT BRACKETS

**Part No. NL1179**

Assembly: Includes NL1108 bushing with NL1109 O rings.  
Application: For trailer axles  
Interchange Info: M-1521, E1318A, 03-209, L2854.  
2 per package / sold each



**Part No. NL1174**

Includes NL1138 bushing.  
Application: Spicer, Std. Forge  
Interchange Info: M1554, E2104, 03-114, L1198



**Part No. E-4586**

Bracket support for Fruehauf. For 16-12" diameter brakes. Used in E-4594 kit. Interchanges: ACF-4024-1



**Part No. E-4594**

Support bracket Kit for 12-1/4" brakes  
Includes E-4586 bracket (above) E-4587 plate set, E-1577A bushing. Interchanges numbers: M2594, M2595



**Part No. E-2477B**

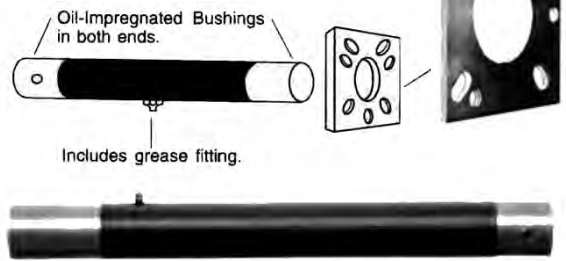
Support Bracket For Meritor 5" Round Axles with 161/2" brakes. Used with E-1318A (NL1179) or E-1318AHD. Includes Mounting Screws.



**Part No. E-4738A**

Camshaft tube enclosure for Trailers. For standard 1-1/2" diameter camshafts with air ride suspension. Use with universal standard adapter for 1-7/8" cam tube enclosures

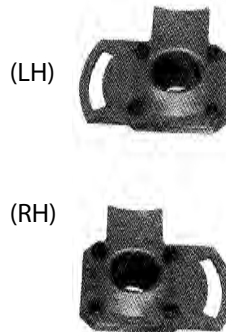
**Part No. E-4739**



**Part No. E-9787A (LH)**

**Part No. E-9788A (RH)**

Support Bracket For Spicer (Dana) 5" Round Axle with 161/2" brakes. Includes E-9792 Bushing



**Part No. E-11445 (LH)**

**Part No. E-11446 (RH)**

Camshaft Support Bracket/Bushing assembly with greasable bushing



**E-603**

Camshaft Support bracket for early model Meritor axles. Use with E-535 nylon bushing. Interchange numbers L242, B8713, M1572







## CAMSHAFT BUSHINGS

**Part No.** O.D. I.D. Length  
**NL1125** 2" 1<sup>5</sup>/<sub>8</sub>" 1<sup>3</sup>/<sub>16</sub>"

Nylon bushing  
 Interchanges:  
 Eaton 1002248  
 M2621, E2690A,  
 03-224, L2382 (10/box)



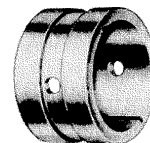
**Part No.** O.D. I.D. Length  
**NL1126** 2<sup>3</sup>/<sub>4</sub>" 1<sup>1</sup>/<sub>2</sub>" 2<sup>1</sup>/<sub>2</sub>"

Nylon bushing  
 Interchanges:  
 Eaton 1002262  
 M2623, E2695,  
 03-214, L1598 (10/box)



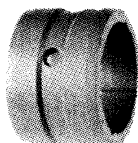
**Part No.** O.D. I.D. Length  
**NL1134** 1<sup>7</sup>/<sub>8</sub>" 1<sup>1</sup>/<sub>2</sub>" 1<sup>1</sup>/<sub>4</sub>"

Nylon bushing  
 Interchanges: (25/box)  
 3-2163, 1225-N-378  
 Std. Forge 405126  
 M571, E536, 02-202, L166



**Part No.** O.D. I.D. Length  
**NL1135** 1<sup>7</sup>/<sub>8</sub>" 1<sup>1</sup>/<sub>2</sub>" 1<sup>1</sup>/<sub>2</sub>"

Nylon bushing  
 Interchanges:  
 Spicer M10WJ118  
 M571B, E759,  
 02-203, L1536 (12/box)



**Part No.** O.D. I.D. Length  
**NL1136** 1<sup>7</sup>/<sub>8</sub>" 1<sup>1</sup>/<sub>2</sub>" 2"

Nylon bushing  
 Interchanges:  
 M571A, E661,  
 03-201, L266 (8/box)



**Part No.** O.D. I.D. Length  
**NL1137** 2<sup>1</sup>/<sub>2</sub>" 1<sup>19</sup>/<sub>32</sub>" 2<sup>1</sup>/<sub>2</sub>"

Nylon bushing  
 In NL1186 support kit.  
 Interchanges (10/box)  
 ACD-2285-900, M1058,  
 E1577A, 03-210, L1191



**Part No.** O.D. I.D. Length  
**NL1138** 2<sup>15</sup>/<sub>32</sub>" 1<sup>1</sup>/<sub>2</sub>" 2<sup>3</sup>/<sub>4</sub>"

Nylon bushing  
 Interchanges: (10/box)  
 Spicer M10WJ107  
 M582, E2102,  
 03-208, L1199



**Part No.** O.D. I.D. Length  
**NL1141** 2" 1<sup>5</sup>/<sub>8</sub>" 7/<sub>8</sub>"

Nylon bushing,  
 used as pair  
 Interchange Info:  
 M1049, E2551,  
 02-220, L896 (10/box)



**Part No.** O.D. I.D. Length  
**NL1143** 2<sup>3</sup>/<sub>4</sub>" 1<sup>1</sup>/<sub>2</sub>" 2<sup>1</sup>/<sub>2</sub>"

Nylon bushing  
 Interchanges: (10/box)  
 Fruehauf 515148  
 Rockwell A-3299-G-1541  
 M572, E535, 03-200, L167



Rockwell 4000-6000 Series Axles With 1<sup>5</sup>/<sub>8</sub>" diameter camshafts.

**Part No. NL1152**

Spider Bushing Assembly, Consisting of:  
 NL1153 grease seal, NL1154 inner bushing,  
 NL1155 outer bushing, NL1156 seal.  
 Interchange numbers E-2670, L1305, M1406.



Rockwell 5000 Series Axles With 1<sup>1</sup>/<sub>2</sub>" diameter camshafts.

**Part No. E-2291**

Spider Bushing Assembly, Consisting of:  
 NL1235 grease seal, NL1150 outer bushing,  
 NL1151 inner bushing, NL1149 seal.  
 Interchange numbers E-2291, L891, M1407.



## CAMSHAFT SEALS

**Part No.** I.D. O.D. Thick  
**NL1235** 1<sup>1</sup>/<sub>2</sub>" 1<sup>7</sup>/<sub>8</sub>" 3/<sub>16</sub>"  
 (25/box)  
**NL1463** 1<sup>1</sup>/<sub>2</sub>" 1<sup>7</sup>/<sub>8</sub>" 1/<sub>4</sub>"  
**NL1234** 1<sup>1</sup>/<sub>2</sub>" 2<sup>1</sup>/<sub>16</sub>" 1/<sub>4</sub>"  
 (25/box)  
 For 4000-6000 axles

**Interchange Information**  
 1205-M-1105, M824, E1416, 02-312  
 Rockwell, Std. Forge weld-on spiders  
 Eaton 40864, 79903, M824A, E1416A, 02-304  
 1705-M-143, M587A, E654, 02-300  
 Some Bolt-on spiders



**Part No.** I.D. O.D. Thick  
**NL1153** 1<sup>5</sup>/<sub>8</sub>" 2" 1/<sub>4</sub>"  
**E-2405** 1<sup>5</sup>/<sub>8</sub>" 2" 1/<sub>4</sub>"

1205-U-1451, M1401, E2405, 02-310  
 1205-U-1451, M1401, NL1153, 02-310



**CAMSHAFT LOCK RINGS**

| Part No.      | I.D.                              | Thick                            | Interchange Information   |
|---------------|-----------------------------------|----------------------------------|---|
| <b>NL1205</b> | 1 <sup>1</sup> / <sub>8</sub> "   | 1 <sup>1</sup> / <sub>16</sub> " | 1225-X-1116 For 4000-6000 axles, M1523, E-801, 01-482 (100/box)   |
| <b>NL1217</b> | 1 <sup>31</sup> / <sub>64</sub> " | 1 <sup>1</sup> / <sub>16</sub> " | For all 1-1/2" diameter camshafts (100/box)   |
| <b>NL1210</b> | 1 <sup>1</sup> / <sub>2</sub> "   | 1 <sup>1</sup> / <sub>16</sub> " | 1229-A-1119, Fruehauf AXA-0418-1<br>4000-6000 axles, ProPar with 1 <sup>5</sup> / <sub>8</sub> " camshafts (25/box) |
| <b>E-5093</b> | 1 <sup>5</sup> / <sub>32</sub> "  | 3 <sup>3</sup> / <sub>32</sub> " | 15" x 3.5", 15" x 4" "T" brakes. 16-1/2" "Q" brakes (25/box)  |
| <b>E-3234</b> | --                                | --                               | For Eaton camshafts. (NL1744) (25 / box)  |

**CAMSHAFT WASHERS**

| Part No.      | I.D.                              | O.D.                             | Thick                            | Interchange Information   |
|---------------|-----------------------------------|----------------------------------|----------------------------------|---|
| <b>NL1261</b> | 1 <sup>9</sup> / <sub>64</sub> "  | 2"                               | 1 <sup>1</sup> / <sub>32</sub> " | Eaton 23570, self-contained brakes, M1409, E1781, 04-308  |
| <b>NL1262</b> | 1 <sup>9</sup> / <sub>64</sub> "  | 2"                               | 1 <sup>1</sup> / <sub>16</sub> " | Eaton 34528, self-contained brakes, M1408, E1782, 04-307  |
| <b>NL1260</b> | 1 <sup>17</sup> / <sub>32</sub> " | 2"                               | 1 <sup>1</sup> / <sub>32</sub> " | Multiple universal applications, 1229-J-868, Fruehauf 219179,<br>RN & RL applications, M588, E564, 02-350                         |
| <b>NL1257</b> | 1 <sup>17</sup> / <sub>32</sub> " | 2 <sup>1</sup> / <sub>4</sub> "  | 1 <sup>1</sup> / <sub>32</sub> " | Universal for 1 <sup>1</sup> / <sub>2</sub> " diameter camshafts<br>1229-Q-771, Fruehauf 219292, M580, E581, 04-301               |
| <b>NL1258</b> | 1 <sup>17</sup> / <sub>32</sub> " | 2 <sup>1</sup> / <sub>4</sub> "  | 1 <sup>1</sup> / <sub>16</sub> " | Universal for 1 <sup>1</sup> / <sub>2</sub> " diameter camshafts 1229-R-122,<br>Eaton B-1216, Fruehauf 219293, M583, E580, 04-302 |
| <b>NL1259</b> | 1 <sup>17</sup> / <sub>32</sub> " | 2 <sup>1</sup> / <sub>4</sub> "  | 3 <sup>3</sup> / <sub>32</sub> " | Std. Forge 403149, 12 <sup>1</sup> / <sub>4</sub> " brake, M1413, E2409, 04-328   |
| <b>NL1255</b> | 1 <sup>17</sup> / <sub>32</sub> " | 2 <sup>7</sup> / <sub>16</sub> " | 1 <sup>1</sup> / <sub>8</sub> "  | Spicer M10HS117, Std. Forge 403105, M719, E719, 04-303  |
| <b>NL1263</b> | 1 <sup>5</sup> / <sub>8</sub> "   | 2 <sup>1</sup> / <sub>4</sub> "  | 1 <sup>1</sup> / <sub>32</sub> " | Rockwell 1229-F-2502, 4000-6000 series axle<br>Use on cam end, M1402, E2411A, 04-320  |
| <b>NL1256</b> | 1 <sup>5</sup> / <sub>8</sub> "   | 2 <sup>3</sup> / <sub>8</sub> "  | 1 <sup>1</sup> / <sub>16</sub> " | Fruehauf AXA-0417-1, ProPar, M1045, E1565, 04-304   |
| <b>E-5095</b> | 1 <sup>7</sup> / <sub>8</sub> "   | 1 <sup>1</sup> / <sub>4</sub> "  | 1 <sup>1</sup> / <sub>32</sub> " | Meritor/Mack "Q" brake, B8762, 1229J3130, C65381  |
| <b>NL1252</b> | 1 <sup>1</sup> / <sub>2</sub> "   | 3 <sup>7</sup> / <sub>8</sub> "  | 1 <sup>1</sup> / <sub>16</sub> " | 1229-G-1463, Fruehauf 219158, M10HN152, Eaton B-1212-1<br>M584, E656, 04-300  |



ALL are boxes of 25 except NL1257/1258/1260 which are 100.

**O-RING**

| Part No.      | I.D.                            | O.D.                            | Thick                            | Interchanges                              |
|---------------|---------------------------------|---------------------------------|----------------------------------|---|
| <b>NL1109</b> | 1 <sup>1</sup> / <sub>2</sub> " | 1 <sup>7</sup> / <sub>8</sub> " | 1 <sup>1</sup> / <sub>32</sub> " | 1205-X-726, M1093, E1314, 03-213 (25/box) |





## DRIVE AXLE SPINDLE NUTS AND LOCKS

| Part No.                             | Application      | Interchange Information  | Across Flats | Thrd Size                          | O.D.                            | I.D.                            | Thick                            |
|--------------------------------------|------------------|--|--------------|------------------------------------|---------------------------------|---------------------------------|----------------------------------|
| <b>INNER NUT</b><br><b>E-2303</b>    | ROCKWELL<br>MACK | "Q" & "R", "TR" 1227-W-517<br>Mack 50,000 Lbs.25QJ35<br>M1980,06-411 | 4"           | 3 <sup>1</sup> / <sub>4</sub> "-12 | --                              | 2 <sup>3</sup> / <sub>8</sub> " | 3 <sup>3</sup> / <sub>8</sub> "  |
| <b>LOCKING RING</b><br><b>E-2304</b> | ROCKWELL<br>MACK | "Q" & "R", 1229-U-1009<br>Mack 50,000 Lbs., 23QJ201<br>M1979, 06-413 | --           | --                                 | 4 <sup>3</sup> / <sub>8</sub> " | 3 <sup>1</sup> / <sub>4</sub> " | 3 <sup>3</sup> / <sub>16</sub> " |
| <b>OUTER NUT</b><br><b>E-2305</b>    | ROCKWELL<br>MACK | "Q" & "R", 1227-R-330<br>Mack 50,000 Lbs., 25QJ36<br>M1978, 06-412   | 4"           | 3 <sup>1</sup> / <sub>4</sub> "-12 | --                              | --                              | 3 <sup>3</sup> / <sub>8</sub> "  |



## TRAILER AXLE SPINDLE NUTS AND LOCKS

| Part No.  | Interchange Information  | Across Flats                      | Thrd. Size                                    | O.D.                              | I.D.                              | Thick                            |
|---|--|-----------------------------------|---|-----------------------------------|-----------------------------------|----------------------------------|
| <b>FOR MERITOR / DANA TRADE AXLES:</b><br><b>R000572</b>  | 1227-B-756   | 3 <sup>1</sup> / <sub>4</sub> "   | 2 <sup>5</sup> / <sub>8</sub> "-16            | --                                | --                                | 3 <sup>3</sup> / <sub>8</sub> "  |
| <b>OUTER NUT</b>  | Outer trailer "Q" brakes<br>M684, E-572, 06-201                            |                                   |   |                                   |                                   |                                  |
| <b>R000573</b>  | 1227-V1660   | --                                | --  | 3 <sup>15</sup> / <sub>16</sub> " | 2 <sup>21</sup> / <sub>64</sub> " | 1 <sup>1</sup> / <sub>4</sub> "  |
| <b>LOCKING RING</b>                                       | Eaton 820396Spicer M10HN100  |                                   |   |                                   |                                   |                                  |
| <b>Set Screw</b>  | Std. Forge 105107  |                                   |   |                                   |                                   |                                  |
| <b>Part No.</b><br><b>1199K3859</b>                       | M683, E-573, 06-202  |                                   |   |                                   |                                   |                                  |
| <b>R000540</b>  | 1227-C-549   | 3 <sup>13</sup> / <sub>16</sub> " | 2 <sup>5</sup> / <sub>8</sub> "-16            | --                                | --                                | 3 <sup>3</sup> / <sub>8</sub> "  |
| <b>INNER NUT</b>  | Eaton 820394<br>Spicer M10HN101 Std. Forge 103103-002, M682, E-540, 06-203 |                                   |   |                                   |                                   |                                  |
| <b>PRO-PAR AXLE</b><br><b>E-2550</b>                      | Fruehauf ACE-008510-001  | 4 <sup>13</sup> / <sub>16</sub> " | 3 <sup>1</sup> / <sub>2</sub> "-12            | --                                | --                                | 1 <sup>1</sup> / <sub>8</sub> "  |
| <b>SPINDLE NUT</b>  | M1050, E2550, 06-226   |                                   |   |                                   |                                   |                                  |
| <b>E-1561</b>   | Fruehauf AXA-0408-1  | --                                | --  | 5 <sup>1</sup> / <sub>16</sub> "  | 3 <sup>1</sup> / <sub>2</sub> "   | 7 <sup>7</sup> / <sub>32</sub> " |
| <b>LOCK WASHER</b>  | M1051, E1561, 06-228   |                                   |   |                                   |                                   |                                  |
| <b>E-1559</b>   | Fruehauf AXA-0409-1  |                                   | 1" Long, 1 <sup>1</sup> / <sub>4</sub> " Dia. |                                   |                                   |                                  |
| <b>COTTER PIN</b>   | M1069,06-229   |                                   |   |                                   |                                   |                                  |
| <b>MERITOR TP AXLE-MANUAL ADJUSTMENT</b><br><b>E-7664</b> |  | 4 <sup>27</sup> / <sub>32</sub> " | 3 <sup>1</sup> / <sub>2</sub> "-12            | --                                | --                                | 3 <sup>3</sup> / <sub>8</sub> "  |
| <b>INNER AXLE SPINDLE NUT</b>                             |  |                                   |   |                                   |                                   |                                  |
| <b>E-7665</b>   |  | --                                | --  | 5 <sup>1</sup> / <sub>16</sub> "  | 3 <sup>1</sup> / <sub>2</sub> "   | 7 <sup>7</sup> / <sub>32</sub> " |
| <b>AXLE SPINDLE LOCK WASHER</b>                           |  |                                   |   |                                   |                                   |                                  |
| <b>E-7666</b>   |  | 4 <sup>3</sup> / <sub>8</sub> "   | 3 <sup>1</sup> / <sub>2</sub> "-12            | --                                | --                                | 3 <sup>3</sup> / <sub>8</sub> "  |
| <b>OUTER AXLE LOCK WASHER</b>                             |  |                                   |   |                                   |                                   |                                  |



ALL are box quantity 2, except E-1559 which is 25.



## SPINDLE NUTS AND LOCKS

- Pro-Torque® Axle Nuts-  
Many Features to Consider:
- Longer tread life by controlling axial motion.
- Extended seal and bearing service.
- Improves ABS by controlling the axial motion.
- Easy to Install!
- Tight control on bearing adjustment by standardizing wheel end maintenance.

### Trailer Axle Nut Part No. 447-4743

Replacement Keeper: 450-4743  
 Tool Socket: 3<sup>3</sup>/<sub>4</sub>" - 8 Point  
 Thread Size: 2<sup>5</sup>/<sub>8</sub>" - 16  
 Outer Bearing: HM212049 / HM212011  
 Applications: Dana Spicer Axles: D-20, D-21, D-22, DD-21, DD-22, K-21, K-22, K-25, K-30  
 Eaton Axles: C, C2, CD, CD2, CE, ESA-225J, EST, EST-225J, EST-230J, ETA 230C, ETA 225D, ETA 225J, H23L, H25R, HCE, HJ, HJE, J, JE, JH, LA-15, T-18C, 20L-77, 22L, 22R, 23L, 23R, 25R  
 Ingersol: A22T Meritor: RL, RQ, TK, TKL, TKLD, TL, TLD, TN, TND, TQ, TQC, TQD

### Trailer Axle Nut Part No. 447-4723

Replacement Keeper: 450-4723  
 Tool Socket: 4<sup>13</sup>/<sub>16</sub>" - 8 Point  
 Thread Size: 3.480" - 12  
 Outer Bearing: HM518445 / HM518410  
 Applications: Fruehauf ProPar Series, Hendrickson HP Series, Ingersol F24H Series, Meritor TP Series.

### Steer Axle Nut Part No. 448-4836

Replacement Keeper: 450-4836  
 Tool Socket: 2 1/2" - 6 Point  
 Thread Size: 1 1/2"-12  
 Outer Bearing: 3782 / 3720  
 Applications: Meritor, Navistar



Pro-Torque®  
 is a registered trademark of Stemco, Inc.

### Steer Axle Nut Part No. 448-4837

Replacement Keeper: 450-4837  
 Tool Socket: 2-1/2" - 6 Point  
 Thread Size: 1 1/2"-18  
 Outer Bearing: 3782 / 3720  
 Applications: Eaton, Ford, Meritor

### Drive Axle Nut Part No. 449-4904

Replacement Keeper: 450-4904  
 Tool Socket: 4<sup>1</sup>/<sub>8</sub>" - 6 Point  
 Thread Size: 2<sup>7</sup>/<sub>8</sub>" - 12  
 Outer Bearing: 563 / 572  
 Applications: 34,000, 38,000, 44,000 Mack

### Drive Axle Nut Part No. 449-4973

Replacement Keeper: 450-4973  
 Tool Socket: 4<sup>3</sup>/<sub>8</sub>" - 8 Point  
 Thread Size: 3<sup>1</sup>/<sub>4</sub>" - 12  
 Outer Bearing: 580 / 572  
 Applications: Dana Spicer W, Eaton D, Mack, Meritor Q,R,RL,RS,S,T,U, Navistar.

### Drive Axle Nut Part No. 449-4974

Replacement Keeper: 450-4743  
 Tool Socket: 3<sup>3</sup>/<sub>4</sub>" - 8 Point  
 Thread Size: 2<sup>5</sup>/<sub>8</sub>" - 12  
 Outer Bearing: 3984 / 3920  
 Applications: Meritor, Eaton, Ford, Navistar

### Drive Axle Nut Part No. 449-4975

Replacement Keeper: 450-4975  
 Tool Socket: 3<sup>3</sup>/<sub>4</sub>" - 8 Point  
 Thread Size: 2<sup>5</sup>/<sub>8</sub>" - 12  
 Outer Bearing: 3984 / 3920  
 Applications: 19,000 lb Dana, Navistar, Bluebird

## AXLE NUT SOCKETS

| •Axle Nut Sockets•   | Part No.     | Size - Description | Interchange Information                    |
|--|--------------|--------------------|--|
| •Machine welded 3/4" drive plate.  | <b>18508</b> | 3-1/4", 6 point    | 1908                                       |
| •Precision engineered for an exact fit.  | <b>18509</b> | 3-1/4", 8 point    | 1909, Fits outer nut on TN, TQ & D22 axles |
| •Powder-coated finish for added rust protection.   | <b>18510</b> | 3-1/2", 6 point    | 1910                                       |
| •Use with a heavy-duty ratchet, breaker bar or torque wrench.                                    | <b>18512</b> | 3-7/8", 6 point    | 1912                                       |
| •Fits applications requiring hexagonal 6-point, hexagonal rounded 6-point and octagonal 8-point. | <b>18513</b> | 3-7/8", 8 point    | 1913                                       |
|  | <b>18514</b> | 4", 6 point        | 1914                                       |
|  | <b>18515</b> | 4-1/8", 6 point    | 1915                                       |
|  | <b>18517</b> | 4-3/8", 8 point    | 1917                                       |
|  | <b>18519</b> | 4-7/8", 8 point    | 1919                                       |
|  | <b>18520</b> | 2-1/4", 6 point    | 1920                                       |
|  | <b>18525</b> | 3-3/4", 8 point    | 1925                                       |
|  | <b>18527</b> | 3-13/16", 8 point  | 1927, Fits inner nut on TN,TQ, & D22 axles |
|  | <b>18541</b> | 4-13/16", 8 point  | 1941, Propar axle                          |





## AIR DISC BRAKES - BENDIX



Bendix has pulled out all the stops on this one.



**Bendix®  
ADB22X™  
air disc brakes  
– advanced  
braking technology  
from the Industry  
Leader.**



With all that we've designed into our **Bendix® ADB22X™** air disc brakes, it's no wonder they're the choice of leading OE's. They provide surer, safer stops.

They require less maintenance, and last longer – twice the lining life, four times the rotor life, and they cut service time in half – all of which adds up to less truck downtime, and a healthy return on investment.

What's more, their braking feel is like that of a passenger car, with virtually no brake fade. Tough and reliable, they were tested on America's ultimate braking challenge – Colorado's I-70 west of the Eisenhower Tunnel. Over an 8-mile stretch on a 7% grade, there was no degradation in stopping power.

But then, this is the kind of advanced technology that so many have come to expect from Bendix. With over 19.2 million Bendix brakes in service worldwide, a full range of commercial vehicles ride with confidence. After 80 years of pioneering expertise and innovations, you know you can depend on us to safely lead the way.



Dual, internally adjusted pistons allow the **Bendix® ADB22X™** air disc brake to offer the most precise brake adjustment, better force distribution, and more even pad wear than any single piston caliper design. In addition, the Bendix® ADB22X™ brake is the lightest dual piston design available.

- Internal automatic brake adjustment allows the brakes to always be in a state of optimum adjustment.
- Virtually no brake fade and no degradation in stopping power.
- Straight, stable stops due to minimized brake force variation between brakes.
- Optional integrated pad- and rotor-wear sensing optimizes pad and rotor life and minimizes the number of required maintenance checks.
- Optimized friction pairing results in minimal fade and maximized pad and rotor life.



**AIR DISC BRAKES - BENDIX**

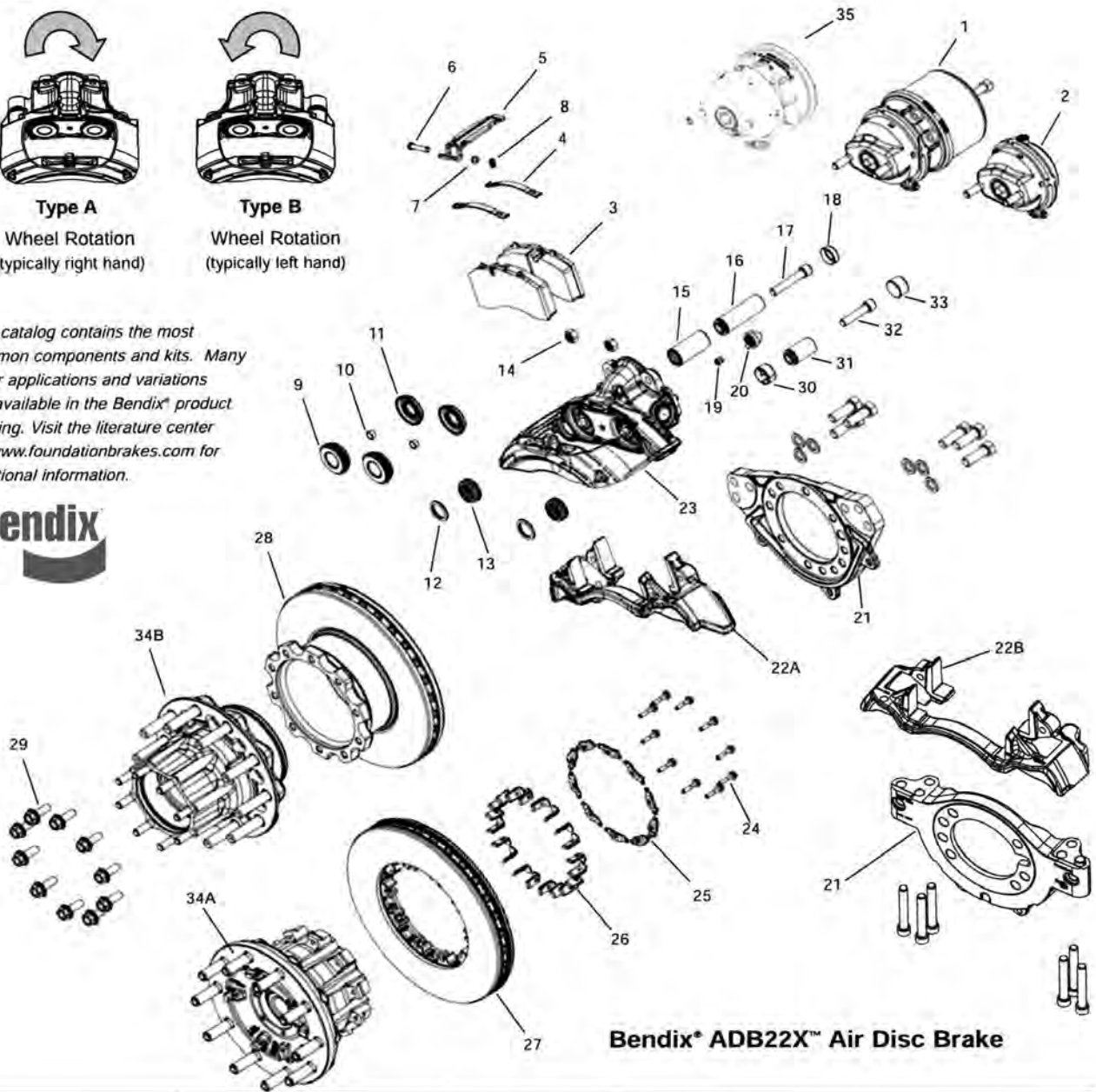


**Type A**  
Wheel Rotation  
(typically right hand)



**Type B**  
Wheel Rotation  
(typically left hand)

*This catalog contains the most common components and kits. Many other applications and variations are available in the Bendix® product offering. Visit the literature center on [www.foundationbrakes.com](http://www.foundationbrakes.com) for additional information.*



**Bendix® ADB22X™ Air Disc Brake**

| Kit Part Number                                      | ADB22X™ | ADB225™ | SB-7™ | SN-7™ | SK-7™ | Components Included in Kit |
|--|---------|---------|-------|-------|-------|----------------------------|
| <b>Pad Kit (axle set)</b>                            |         |         |       |       |       |                            |
| K070796  | x       |         |       |       | x     | 3, 4, 5, 6, 7, 8, 19, 20   |
| 802593   |         | x       |       |       |       | 3, 4, 5, 6, 7, 8, 19, 20   |
| 5013257  |         |         | x     | x     |       | 3, 4, 5, 6, 7, 8, 19, 20   |
| <b>Splint Kit (box of 25)</b>                        |         |         |       |       |       |                            |
| 803151   | x       | x       | x     | x     |       | 8                          |
| <b>Shear Adapter (box of 10)</b>                     |         |         |       |       |       |                            |
| 802455   | x       | x       |       | x     |       | 19                         |
| <b>Tappet/Boot Kit (wheel end kit)</b>               |         |         |       |       |       |                            |
| K092079  | x       | x       |       | x     | x     | 9, 10, 11                  |
| K010604  |         |         | x     |       |       | 9, 10, 11                  |
| <b>Adjuster Cover (non-wear sensing - box of 10)</b> |         |         |       |       |       |                            |
| 802643   | x       | x       |       |       |       | 20                         |
| K003902  |         |         |       |       | x     | 20                         |
| K000945  |         |         | x     | x     |       | 20                         |



**AIR DISC BRAKES - BENDIX**

| Kit Part Number  | ADB22X™ | ADB225™ | SB-7™ | SN-7™ | SK-7™ | Components Included in Kit  |
|--|---------|---------|-------|-------|-------|---|
| <b>Guide Pin, Seal and Boot Kit (wheel end kit)</b>  |         |         |       |       |       |   |
| 803114   | x       |         |       |       |       | 12, 13, 15, 16, 17, 18, 30, 31, 32, 33  |
| K001915  |         |         | x     |       | x     | 12, 13, 15, 16, 17, 18, 30, 31, 32, 33<br>Rubber Bushing Retro. to Metallic Bushing |
| K010766  |         |         |       |       | x     | 12, 13, 15, 16, 17, 18, 30, 31, 32, 33<br>DU Bushing Kit                            |
| K004100  |         |         |       |       | x     | 12, 13, 15, 16, 17, 18, 30, 31, 32, 33  |
| <b>See Service Data Sheet SD-23-7550 (BW2000) for Guide Pin Identification on these kits:</b>                            |         |         |       |       |       |   |
| K048396K50   |         |         | x     |       |       | 12, 13, 15, 16, 17, 18, 30, 31, 32, 33  |
| K048371K50   |         |         | x     |       |       | 12, 13, 15, 16, 17, 18, 30, 31, 32, 33  |
| I1328090062  |         |         | x     |       |       | 12, 13, 15, 16, 17, 18, 30, 31, 32, 33  |
| I139769F0062   |         |         | x     |       |       | 12, 13, 15, 16, 17, 18, 30, 31, 32, 33  |
| I1368470064  |         |         | x     |       |       | 12, 13, 15, 16, 17, 18, 30, 31, 32, 33<br>Rubber Bushing Kit                        |
| <b>Guide Pin Grease</b>  |         |         |       |       |       |   |
| I114525  | x       | x       | x     | x     |       | White (5 grams)   |
| K021964  | x       | x       | x     | x     |       | White (500 grams)   |
| K021963  |         |         | x     |       |       | Green (8 grams)   |
| K021975  |         |         | x     |       |       | Green (500 grams)   |
| <b>Service Actuator</b>  |         |         |       |       |       |   |
| K028039  | x       |         |       |       |       | Bendix® Type 14 Universal 2, 14   |
| K028226  | x       |         |       |       |       | Bendix® Type 16 Universal 2, 14   |
| K028022  | x       | x       | x     | x     | x     | Bendix® Type 18 Universal 2, 14   |
| K028225  | x       | x       | x     | x     | x     | Bendix® Type 20 Universal 2, 14   |
| <b>NG-3 Piston Style Spring Brake Chamber</b>  |         |         |       |       |       |   |
| K027557  | x       |         |       |       |       | Bendix® Type 18/16 Piston Style Universal 1, 14                                     |
| K025670  | x       | x       | x     | x     | x     | Bendix® Type 18/24 Piston Style Universal 1, 14                                     |
| K025669  | x       | x       | x     | x     | x     | Bendix® Type 20/24 Piston Style Universal 1, 14                                     |
| <b>Double Diaphragm Style Spring Brake Chamber</b>   |         |         |       |       |       |   |
| K026451 Bendix®  | x       |         |       |       |       | Type 18/24 Double Diaphragm Style Trailer Universal 1, 35                           |
| <b>Caliper-Carrier Assembly Includes 803114</b>  |         |         |       |       |       |   |
| K081142  | x       |         |       |       |       | Steer and Drive Axial "A" (22A + 23)  |
| K081143  | x       |         |       |       |       | Steer and Drive Axial "B" (22A + 23)  |
| 802984   | x       |         |       |       |       | Trailer Axial "A" (22A + 23)  |
| 802985   | x       |         |       |       |       | Trailer Axial "B" (22A + 23)  |
| K081256  | x       |         |       |       |       | Steer and Drive Vertical "A" 22B + 23   |
| K081257  | x       |         |       |       |       | Steer and Drive Vertical "B" (22B + 23)   |
| <b>Caliper Kit (rationalized) Includes 803114</b>  |         |         |       |       |       |   |
| K081258  | x       |         |       |       |       | Steer and Drive Axle "A" (23)   |
| K081259  | x       |         |       |       |       | Steer and Drive Axle "B" (23)   |
| K019180  | x       |         |       |       |       | Trailer Axle "A" (23)   |
| K019181  | x       |         |       |       |       | Trailer Axle "B" (23)   |
| <b>Carrier Kit</b>   |         |         |       |       |       |   |
| K051853  | x       |         |       |       |       | 12, 13, 17, 18, 19, 20, 22A, 32, 33<br>Steer and Drive Axle, Axial                  |
| K043288  | x       |         |       |       |       | 12, 13, 17, 18, 19, 20, 22A, 32, 33<br>Trailer Axle, Axial                          |
| K056559  | x       |         |       |       |       | 12, 13, 17, 18, 19, 20, 22B, 32, 33<br>Steer and Drive Axle, Vertical               |
| <b>Hubs</b>  |         |         |       |       |       |   |
| K020505  | x       |         |       |       |       | Splined Disc® Brake - Aluminum - FF<br>Steer, LMS Bearing Package (34A)             |
| 803134   | x       |         |       |       |       | Splined Disc® Brake - Aluminum - FL<br>Steer, LMS Bearing Package (34A)             |
| 802847   | x       |         |       |       |       | Splined Disc® Brake - Aluminum - R<br>Drive, LMS Bearing Package (34B)              |
| K020514  | x       |         |       |       |       | Splined Disc® Brake - Aluminum - FF<br>Steer, Standard Bearing Package* (34A)       |
| 803138   | x       |         |       |       |       | Splined Disc® Brake - Aluminum - FL<br>Steer, Standard Bearing Package* (34A)       |
| 802859   | x       |         |       |       |       | Splined Disc® Brake - Aluminum - R<br>Drive, Standard Bearing Package* (34B)        |
| K045298  | x       |         |       |       |       | Splined Disc® - Aluminum - "TN"<br>Trailer, Standard Bearing Package* (34B)         |
| K045297  | x       |         |       |       |       | Splined Disc® - Aluminum - "TP"<br>Trailer, Standard Bearing Package* (34B)         |
| <b>See hub supplier for these standard hub products: (ALL applications)</b>  |         |         |       |       |       |   |
| <b>U-shaped - Iron/Aluminum, LMS/Standard Bearing Packages &amp; Flat - Iron/Aluminum, LMS/Standard Bearing Packages</b> |         |         |       |       |       |   |
| <b>Splined Disc® Rotor Attaching</b>   |         |         |       |       |       |   |
| Kit K037767  | x       |         |       |       |       | All Splined Disc® Rotor Applications 24, 25, 26                                     |
| <b>Rotor</b>   |         |         |       |       |       |   |
| 802081   | x       | x       |       |       |       | 138mm U-shaped (28, 29)   |
| 802082   | x       | x       |       |       |       | 150mm U-shaped (28, 29)   |
| 802083   | x       |         |       |       |       | Severe-Duty Splined Disc Kit 24, 25, 26, 27   |
| 802569   | x       |         |       |       |       | Heavy-Duty Splined Disc Kit 24, 25, 26, 27  |
| K034497  |         |         |       | x     |       | 104.7mm Offset (28)   |
| 802669   |         |         | x     | x     |       | 114.7mm Rotor U-shaped (28)   |
| K021958  |         |         | x     | x     |       | 131mm Rotor U-shaped (28)   |
| I137415N   |         |         | x     | x     |       | 136mm Rotor U-shaped (28)   |
| K021959  |         |         | x     | x     |       | 179.7mm Rotor U-shaped (28)   |
| <b>Shields</b>   |         |         |       |       |       |   |
| 803129   | x       |         |       |       |       | Trailer Axle Pad & Rotor Shield Kit   |
| 803130   | x       |         |       |       |       | Drive Axle Pad & Rotor Shield Kit   |
| 802948   | x       |         |       |       |       | Steer Axle Pad Shield Kit   |





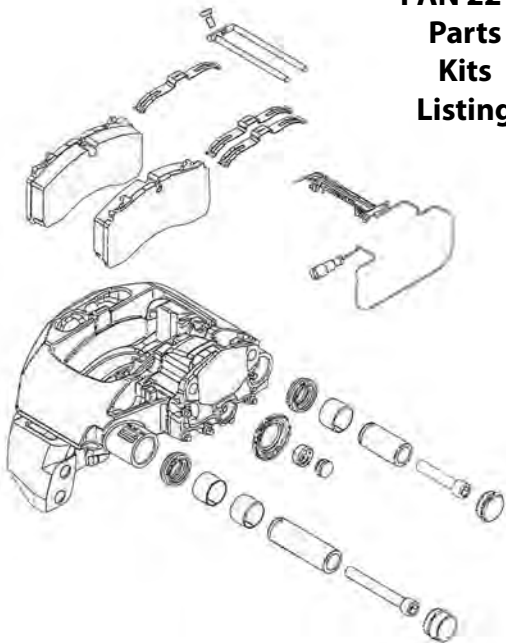
# AIR DISC BRAKES - MERITOR



**Meritor EX225 Series of Air Disc Brake**

**Kit for Dura-Master® air disc brake model ADB-1560. Part No. KIT15016**

- Item 1 - Caliper slide pin - 2 pcs 1259-A-287
- Item 2 - Pin - 2 pcs 43-X-1037
- Item 3 - Washer - 2 pcs 42-X-1013
- Item 4 - Spring - 2 pcs 2258-R-694
- Item 5 - Nut - 2 pcs 1227-G-1229



**PAN 22-1  
Parts  
Kits  
Listing**

**Disc Brake Pad Kit for air disc brake model EX225**

**Part No. KIT2252H2CD**

MA761 material.

Used in Linehaul - Low stops / High mileage



**Kit for Dura-Master® air disc brake model ADB-1560. Part NO. KIT15625PM**

Inner Shoe and Lining - 2 pcs

Outer Shoe and Lining - 2 pcs

Neither sold separately



| 40-225-015 | Item | Qty | Part No.   | Description |
|------------|------|-----|------------|-------------|
|            | 1    | 1   | 40-225-015 | Caliper     |

| 40-225-016 | Item | Qty | Part No.   | Description |
|------------|------|-----|------------|-------------|
|            | 1    | 1   | 40-225-016 | Caliper     |

| 640-225-9212 | Item | Qty. | Part No.            | Description          |
|--------------|------|------|---------------------|----------------------|
|              | 1    | 1    |                     | Piston Adj. Plug     |
|              | 2    | 1    |                     | Piston Seal          |
|              | 3    | 2    |                     | Slide Pin Boots      |
|              | 4    | 3    |                     | Slide Pin Bushings   |
|              | 5    | 1    | Not Sold Separately | Long Slide Pin       |
|              | 6    | 1    | Not Sold Separately | Short Slide Pin      |
|              | 7    | 1    |                     | Long Slide Pin Bolt  |
|              | 8    | 1    |                     | Short Slide Pin Bolt |
|              | 9    | 1    |                     | Short Slide Pin Cap  |
|              | 10   | 1    |                     | Long Slide Pin Cap   |

| 12-999-755VT | Item | Qty. | Part No.            | Description            |
|--------------|------|------|---------------------|------------------------|
|              | 1    | 1    | Not Sold Separately | Disc Padwear Indicator |

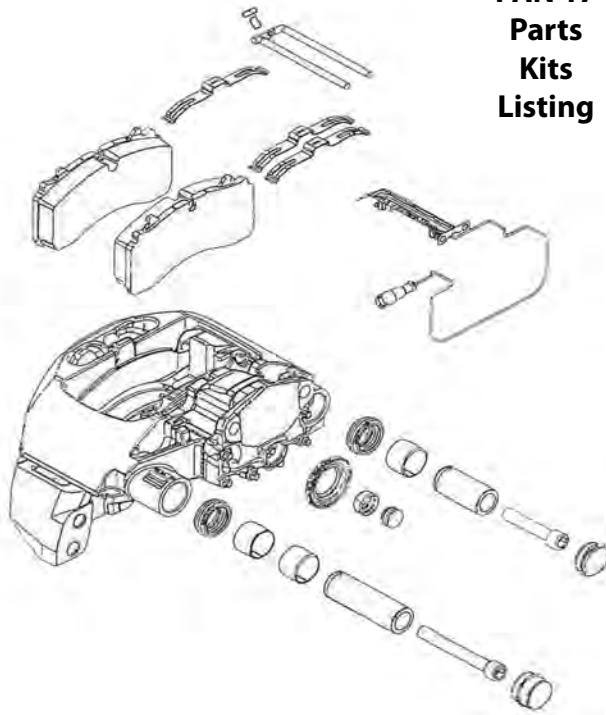
| 12-999-796<br>MMDWP22AF (Includes hardware) | Item | Qty. | Part No.            | Description  |
|---|------|------|---------------------|--------------|
|   | 1    | 4    |                     | Disc Pads    |
|   | 2    | 4    | Not Sold Separately | Springs      |
|   | 3    | 2    | Not Sold Separately | Bolt         |
|   | 4    | 2    |                     | Pad Retainer |





**AIR DISC BRAKES - MERITOR**

**PAN 17  
Parts  
Kits  
Listing**



**MERITOR WABCO**

**WABCO PAN 17**

| Item       | Qty | Part No.   | Description |
|------------|-----|------------|-------------|
| 40-175-072 | 1   | 40-175-072 | Caliper     |



| Item       | Qty | Part No.   | Description |
|------------|-----|------------|-------------|
| 40-175-073 | 1   | 40-175-073 | Caliper     |



| Item         | Qty | Part No.            | Description          |
|--------------|-----|---------------------|----------------------|
| 12-999-699VT | 1   |                     | Piston Adj. Plug     |
| 2            | 1   |                     | Piston Seal          |
| 3            | 2   |                     | Slide Pin Boots      |
| 4            | 3   |                     | Slide Pin Bushings   |
| 5            | 1   | Not Sold Separately | Long Slide Pin       |
| 6            | 1   |                     | Short Slide Pin      |
| 7            | 1   |                     | Long Slide Pin Bolt  |
| 8            | 1   |                     | Short Slide Pin Bolt |
| 9            | 1   |                     | Short Slide Pin Cap  |
| 10           | 1   |                     | Long Slide Pin Cap   |

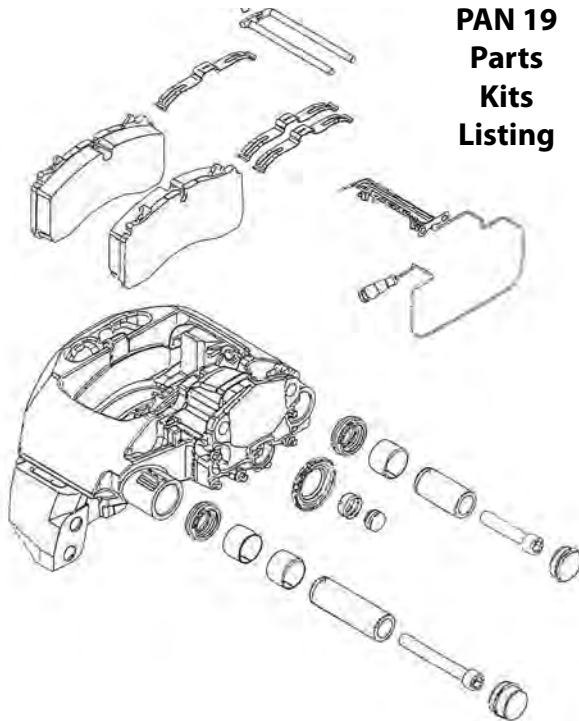
| Item         | Qty | Part No. | Description            |
|--------------|-----|----------|------------------------|
| 12-999-755VT | 1   |          | Disc Padwear Indicator |



| Item                          | Qty | Part No.            | Description  |
|-------------------------------|-----|---------------------|--------------|
| 12-999-806                    | 1   |                     | Disc Pads    |
| 12-999-743VT                  | 4   | Not Sold Separately | Springs      |
| 12-999-743VT                  | 3   |                     | Bolt         |
| MMD1518AF (includes hardware) | 4   | 2                   | Pad Retainer |



**PAN 19  
Parts  
Kits  
Listing**



**MERITOR WABCO**

| Item       | Qty | Part No.   | Description |
|------------|-----|------------|-------------|
| 40-195-037 | 1   | 40-195-037 | Caliper     |



| Item       | Qty | Part No.   | Description |
|------------|-----|------------|-------------|
| 40-195-038 | 1   | 40-195-038 | Caliper     |



| Item         | Qty | Part No.            | Description          |
|--------------|-----|---------------------|----------------------|
| 040-225-9212 | 1   |                     | Piston Adj. Plug     |
| 2            | 1   |                     | Piston Seal          |
| 3            | 2   |                     | Slide Pin Boots      |
| 4            | 3   |                     | Slide Pin Bushings   |
| 5            | 1   | Not Sold Separately | Long Slide Pin       |
| 6            | 1   |                     | Short Slide Pin      |
| 7            | 1   |                     | Long Slide Pin Bolt  |
| 8            | 1   |                     | Short Slide Pin Bolt |
| 9            | 1   |                     | Short Slide Pin Cap  |
| 10           | 1   |                     | Long Slide Pin Cap   |

| Item         | Qty | Part No. | Description            |
|--------------|-----|----------|------------------------|
| 12-999-755VT | 1   |          | Disc Padwear Indicator |



| Item                          | Qty | Part No.            | Description  |
|-------------------------------|-----|---------------------|--------------|
| 12-999-737VT                  | 1   |                     | Disc Pads    |
| MMD1438AF (includes hardware) | 4   | Not Sold Separately | Springs      |
|                               | 3   |                     | Bolt         |
|                               | 4   | 2                   | Pad Retainer |





**AIR DISC BRAKES - MERITOR**

**SUGGESTED STOCKING EX SERVICE BRAKE PARTS**

|                                   | Friction Materials |       |       |       | Disc Pad Retaining Spring | Disc Pad Retaining Kit | Disc Pad Retaining Kit | Universal Hrdwr Kit | Bushing Kit | Adjuster Cover Seal | Brake Chamber Seal | Visual Wear Indicator |           |
|-----------------------------------|--------------------|-------|-------|-------|---------------------------|------------------------|------------------------|---------------------|-------------|---------------------|--------------------|-----------------------|-----------|
|                                   | MA703              | MA761 | MA741 | MA721 | 68324769                  | KIT225237              | KIT225210              | KIT225256           | KIT225221   | 68322655PK10        | 68323746PK10       | KIT225207             | KIT225255 |
| <b>Brake Variant</b>              |                    |       |       |       |                           |                        |                        |                     |             |                     |                    |                       |           |
| <b>EX225H2</b>                    |                    |       |       |       |                           |                        |                        |                     |             |                     |                    |                       |           |
| Axial                             | X                  | X     | X     |       | X                         |                        | X                      | X                   | X           | X                   | X                  | X                     | X         |
| <b>EX225H3</b>                    |                    |       |       |       |                           |                        |                        |                     |             |                     |                    |                       |           |
| Axial                             | X                  |       |       | X     | X                         |                        | X                      | X                   | X           | X                   | X                  | X                     | X         |
| <b>EX225H4</b>                    |                    |       |       |       |                           |                        |                        |                     |             |                     |                    |                       |           |
| Axial                             | X                  | X     | X     |       | X                         |                        | X                      | X                   | X           | X                   | X                  | X                     | X         |
| <b>EX225H6</b>                    |                    |       |       |       |                           |                        |                        |                     |             |                     |                    |                       |           |
| Axial                             | X                  |       |       | X     | X                         |                        | X                      | X                   | X           | X                   | X                  | X                     | X         |
| <b>EX225L2</b>                    |                    |       |       |       |                           |                        |                        |                     |             |                     |                    |                       |           |
| Axial                             | X                  |       |       |       | X                         |                        | X                      | X                   | X           | X                   | X                  | X                     | X         |
| <b>EX225H3 Radial (M16 Bolts)</b> |                    |       |       |       |                           |                        |                        |                     |             |                     |                    |                       |           |
|                                   |                    |       |       |       | X                         |                        | X                      | X                   | X           | X                   | X                  | X                     | X         |
| <b>EX225H6 Radial</b>             |                    |       |       |       |                           |                        |                        |                     |             |                     |                    |                       |           |
|                                   |                    |       |       |       | X                         |                        | X                      | X                   | X           | X                   | X                  | X                     | X         |
| <b>EX225L 410 Axial</b>           |                    |       |       |       |                           |                        |                        |                     |             |                     |                    |                       |           |
|                                   |                    |       |       |       | X                         |                        | X                      | X                   | X           | X                   | X                  | X                     | X         |
| <b>EX225L 434 Axial</b>           |                    |       |       |       |                           |                        |                        |                     |             |                     |                    |                       |           |
|                                   |                    |       |       |       | X                         | X                      |                        | X                   | X           | X                   | X                  | X                     | X         |
| <b>EX225H 434 Axial</b>           |                    |       |       |       |                           |                        |                        |                     |             |                     |                    |                       |           |
|                                   |                    |       |       |       | X                         |                        | X                      | X                   | X           | X                   | X                  | X                     | X         |
| <b>EX225L 410 Radial</b>          |                    |       |       |       |                           |                        |                        |                     |             |                     |                    |                       |           |
|                                   |                    |       |       |       | X                         | X                      |                        | X                   | X           | X                   | X                  | X                     | X         |
| <b>EX225L 434 Radial</b>          |                    |       |       |       |                           |                        |                        |                     |             |                     |                    |                       |           |
|                                   |                    |       |       |       | X                         |                        | X                      | X                   | X           | X                   | X                  | X                     | X         |
| <b>EX225H 434 Radial</b>          |                    |       |       |       |                           |                        |                        |                     |             |                     |                    |                       |           |
|                                   |                    |       |       |       | X                         |                        | X                      | X                   | X           | X                   | X                  | X                     | X         |

**TOOLS NEEDED TO SERVICE EX BRAKES**

**ADB 225 Torques Wrench  
Extension Adapter  
Part No. MST2255001**

**ADB 225 Torques Wrench  
Extension Adapter  
Part No. MST1504**





## AIR DISC BRAKES - MISC.

Bendix® EverSure® Air Disc Brake  
Spring Brake Chamber. Type 18/24,  
2.25" stroke, 3/8"-18 NPTF ports.

Interchange numbers:

1824.D, 1824TLD2

**Part No. K043329**



**Gunite® Air Disc Brake Rotor**

**Part No. R6206M**

430mm, U shape. 77.82 lbs.

Use with DB22 and DB22LT disc brakes  
in applications with a Gunite hub.

Interchange number S28595 Hendrickson

**Brake Surface:**

Outside Diameter 16.93

Width 1.77

Overall Length 5.90

Pilot diameter 8.65

Bolt circle diameter 9.82

10 bolt holes, size .62



**AXLE KITS - An introduction - INFORMATION****We Specialize in Building Custom Axles!**

**T**<sup>ech</sup>  
**Note:** To maintain the specified weight capacity of a new trailer axle, it is important that the proper spring seat spacing is used. The capacities given here are based on 38" spring centers for axles with 71-1/2" track, and 44" centers for axles with 77-1/2 track. Locating the spring centers closer to the center of the axle results in lost carrying capacity for that axle.

**Standard Trailer Axle (Typical)**

- Axle Tube
- Brake shoe and lining assemblies
- Cam and chamber support brackets
- Camshafts, and camshaft busings
- 16.5x7 inch Q+ brakes
- Stamped brake spider or forged
- Standard spindle nut pack
- Braked Beam

**Dressed Trailer Axle (Typical)**

The same features as a standard axle-plus:

- 10-stud x 11.25 BC hubs with studs for hub-piloted dual steel wheels
- Outboard-mounted cast brake drums
- Bearings
- Wheel-end seals
- Hubcaps
- Wheel-end lubricant

**Features To Consider When Ordering Axle Kits****Type of Slack Adjusters**

Per Docket No. 91-21 Notice of the Federal Register, all air-braked vehicles requiring FMVSS-121 compliance built on or after October 20, 1994 will need to be equipped with automatic slack adjusters and stroke-indicating air chambers. Axles are still available with manual slack adjusters, however these axles should only be used on 121-exempt vehicles. Ultimate responsibility for compliance lies with the vehicle manufacturer or axle installer.

**ABS RULES**

Because of government mandates, all trailers built after March of 1997 must be equipped with ABS unless exempt. On replacement axles, care must be taken to equip the replacement axle to match existing systems.

**AIR DISC BRAKES (ADB)**

Also Available!

**Using this guide, we will have a part number similar to the example below, that we use to order your axle kit. Just by us getting some quick answers to these questions:**

**Example Part No. AS20-1311-0802-51**

- ~Do you want your axle components assembled? Yes / No The example calls for an assembled axle.
- ~Type of bearings? The example calls for Timken bearings.
- ~Axle In the example, the axle being used is part number 7714057. See the following pages listing axles.
- ~Oil Seals? Choose the seal of your choice, making sure it is compatible with the axle you are using.  
The example is using Stemco.
- ~Hubcaps? Make sure the hubcap you choose will work with the wheels that will be used.  
The example is using two six hole aluminum hub caps. Stemco 300-4009
- ~Slack adjusters? These should be compatible with the cams on your axle.  
The example calls for R801074 Meritor auto slacks.
- ~Air Chambers? The example here calls for an Anchorlok sealed GC3030 spring brake part number.
- ~Cast Wheels or Hubs? Make sure it works with the axle being used.
- ~The example calls for a set of ten-stud hub and drum unimount assembliesw/ABS tone ring (Webb)



## AXLE KITS - ORDER FORM REFERENCE GUIDE

|                         |   |   |  |
|-------------------------|---|---|--|
| <b>Axle Type :</b>      | Straight <input type="checkbox"/>               | Drop Center <input type="checkbox"/>            | Other <input type="checkbox"/>   |
| <b>Spindle :</b>        | Tapered <input type="checkbox"/>                | Parallel <input type="checkbox"/>               | Other <input type="checkbox"/>   |
| <b>Track Width :</b>    | 71.5" <input type="checkbox"/>                  | 77.5" <input type="checkbox"/>                  | 96" <input type="checkbox"/> 107.5" <input type="checkbox"/> Other <input type="checkbox"/>    |
| <b>Capacity :</b>       | 22,500 <input type="checkbox"/>                 | 25,000 <input type="checkbox"/>                 |  |
| <b>Suspension :</b>     | Spring <input type="checkbox"/>                 | Air Ride <input type="checkbox"/>               | Model: _____   |
| <b>Brake Size :</b>     | 16.5x7 <input type="checkbox"/>                 | 12.25x7 <input type="checkbox"/>                | Other <input type="checkbox"/>   |
| <b>Cam Length :</b>     | Short (Spring) 17-3/8" <input type="checkbox"/> | Medium (Spring) 20.47" <input type="checkbox"/> | Long (Air Ride) 24.14" <input type="checkbox"/>  |
| <b>Wheel Studs :</b>    | Eight-8 <input type="checkbox"/>                | Ten-10 <input type="checkbox"/>                 |  |
| <b>Disc Wheel :</b>     | Aluminum <input type="checkbox"/>               | Steel <input type="checkbox"/>                  | Single <input type="checkbox"/> Dual <input type="checkbox"/>                                  |
| <b>Wheel Pilot :</b>    | Hub Piloted <input type="checkbox"/>            | Stud Piloted <input type="checkbox"/>           |  |
| <b>Hub :</b>            | Ductile Iron <input type="checkbox"/>           | Duralite <input type="checkbox"/>               | Aluminum <input type="checkbox"/> Other <input type="checkbox"/>                               |
| <b>Drum :</b>           | Standard Cast <input type="checkbox"/>          | Light Weight <input type="checkbox"/>           | Centrifuse <input type="checkbox"/>  |
| <b>Slack Adjuster :</b> | Manual <input type="checkbox"/>                 | Automatic <input type="checkbox"/>              |  |
| <b>Slack Make :</b>     | Meritor <input type="checkbox"/>                | Bendix <input type="checkbox"/>                 | Haldex <input type="checkbox"/> Gunite <input type="checkbox"/> Other <input type="checkbox"/> |
| <b>Length :</b>         | 5.5" <input type="checkbox"/>                   | 6" <input type="checkbox"/>                     |  |
| <b>Brake Chamber :</b>  | Type 30 Svc <input type="checkbox"/>            | 30/30 <input type="checkbox"/>                  | Other <input type="checkbox"/>   |
| <b>Chamber Make :</b>   | Ranger <input type="checkbox"/>                 | MGM <input type="checkbox"/>                    | Haldex <input type="checkbox"/> TSE <input type="checkbox"/> Other <input type="checkbox"/>    |
| <b>Wheel Seal :</b>     | Stemco Guardian <input type="checkbox"/>        | Stemco Voyager <input type="checkbox"/>         | Stemco Grit Guard <input type="checkbox"/>   |
|                         | National <input type="checkbox"/>               | CR <input type="checkbox"/>                     | Other <input type="checkbox"/>   |
| <b>ABS :</b>            | NO <input type="checkbox"/>                     | Sensors Intalled <input type="checkbox"/>       |  |
| <b>Hub Cap :</b>        | Oil <input type="checkbox"/>                    | Grease Vented <input type="checkbox"/>          | Grease <input type="checkbox"/>  |
| <b>Options :</b>        | Meritor PSI <input type="checkbox"/>            | Dust Shields <input type="checkbox"/>           | Cam Protectors <input type="checkbox"/>  |

*IF Choosing OTHER, please list specific choice of brand or option.*



## MERITOR AXLE SERIES

### **TN SERIES**

The Meritor TN Series is the industry workhorse - an economical, standard-use axle, highly suitable for a wide range of vocational applications. Meritor's pioneering and introduction of many unique features and benefits have made the TN Series the standard on more trailers than any other axle. TN beam rating is 22,500 lb.

### **TQ SERIES**

Extra heavy-duty Meritor TQ axles are designed specifically to endure the severe torsional forces exerted on an axle by air ride suspensions. When used as a standard suspension, however, the TQ axle also stands up much better against forces exerting downward pressure on the suspension. What that means is that the Meritor TQ trailer axles are appropriate when heavier-than-normal cargos will routinely be transported. TQ beam rating range is 25,000 - 30,000 lb.

### **TP SERIES**

The Meritor TP Series axle is the axle to use when you need compatibility to the Pro-Par™ type wheel end. If this type of axle is in the fleet, wheel end components are interchangeable with that design. TP beam rating is 22,500 lb. to 30,000 lb.



Our most popular trailer axle models offer many advantages - they are lightweight, durable, and are easily serviceable due to:

- Lightweight integral spindles that are formed from the axle tube - contribute to exceptional strength and trueness of wheel-end alignment
- Bearing journals are induction hardened for added strength and wear resistance
- Stamped steel brake spiders offer an excellent strength-to-weight ratio
- Accurate wheel alignment due to robot welding of chamber and camshaft brackets
- Meritor's easy-to-service bolt-on cam bushing is standard on our most popular axles, including the TN, TQ, and TP Series - which set the standard for lightweight heavy-duty trailer axles.



## MERITOR TRAILER AXLES LISTING

All of these **Meritor** axles are 5" round and "ABS-Ready" which means they have the ABS blocks welded on them, ready for the sensor clip and sensor.

They all have Q+ camshafts and 16.5 x 7 Q+ brake shoes. (MA212 lining.)

Track is measured center of duals to center of duals.

(71.5" track is for 96" wide trailer and 77.5" track is for 102" wide trailer.)

| Part No.           | Track | Beam Rating (Lb.) | Cam Info          | Spindle  | Notes       |
|--------------------|-------|-------------------|-------------------|----------|-------------|
| <b>7714047-ABS</b> | 77.5" | 22,500            | 20.47", 28 spline | Tapered  | spring ride |
| <b>7714048-ABS</b> | 71.5" | 22,500            | 17.38", 28 spline | Tapered  | spring ride |
| <b>7714050-ABS</b> | 77.5" | 22,500            | 17.38", 28 spline | Tapered  | spring ride |
| <b>7714054-ABS</b> | 71.5" | 25,000            | 24.14", 28 spline | Tapered  | air ride    |
| <b>7714055-ABS</b> | 77.5" | 25,000            | 24.14", 28 spline | Tapered  | air ride    |
| <b>7714057-ABS</b> | 71.5" | 22,500            | 20.47", 28 spline | Tapered  | spring ride |
| <b>7714058-ABS</b> | 96.0" | 25,000            | 24.14", 28 spline | Tapered  | Wide Track  |
| <b>7714061-ABS</b> | 71.5" | 25,000            | 24.14", 28 spline | Parallel | air ride    |
| <b>7714062-ABS</b> | 77.5" | 25,000            | 24.14", 28 spline | Parallel | air ride    |
| <b>7714067-ABS</b> | 71.5  | 22,500            | 20.47", 28 spline | Parallel | spring ride |

Tapered:

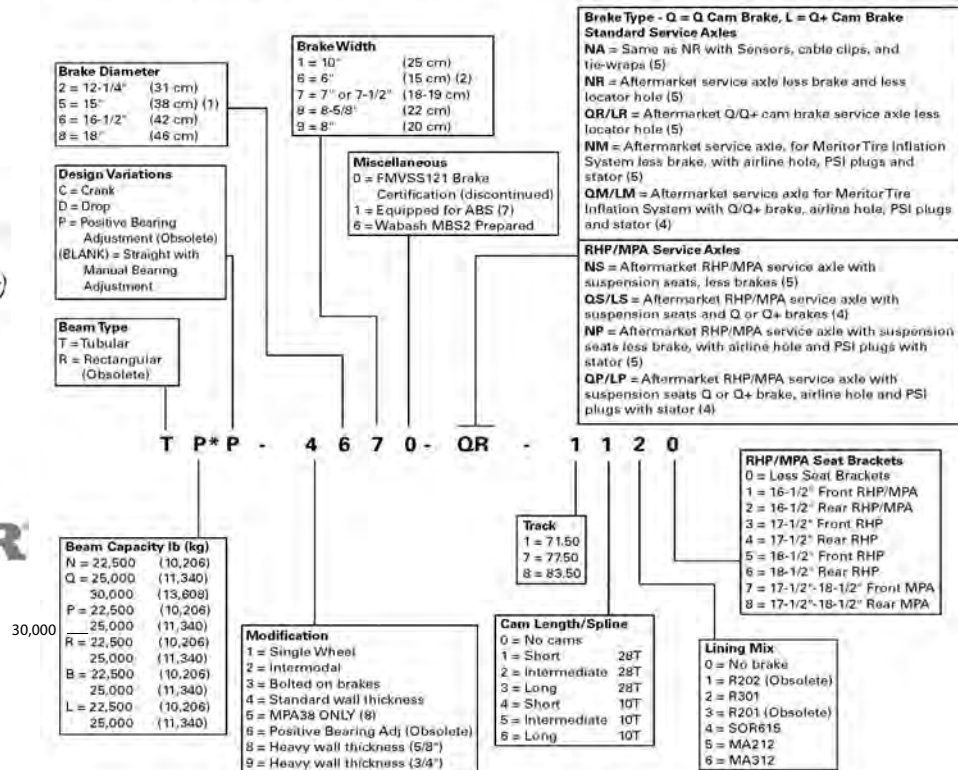
HM218248 / HM212049

Parallel:

HM518445 / HM518410



### Aftermarket Axle Model Numbers



**\* Bearings**

- N = HM218248/HM212049
- P = HM518445/HM518410
- Q = HM218248/HM212049
- R = 594A/580
- B = Untized hub and bearings (discontinued)
- L = Untized hub and bearings (discontinued)

**NOTE:** The last four digit designations apply to Aftermarket Axle Model Numbers only; These designations do not apply to Production Axle Model Numbers.

- (1) Drum or rotor
- (2) Denotes brake shoe width or pad size
- (3) Service beam only
- (4) Equipped with brake shoes and camshafts
- (5) Equipped with camshafts but no brake shoes
- (6) Not available in crank or drop center axles
- (7) All axles will have ABS blocks installed
- (8) Use standard nomenclature rules for MPA40



## HENDRICKSON TRAILER AXLES

**Hendrickson Trailer Axle** products are manufactured to the same high standards as Original Equipment (OE) parts – because they are OE parts. That means when an axle part is replaced with a genuine Spicer product, it's being replaced with the original equipment product, ensuring the same performance and reliability you've come to expect.



All of these axles are 5" round and "ABS-Ready" which means they have the ABS blocks welded on them, ready for the sensor clip and sensor.

They all have "Q+ style" camshafts and 16.5 x 7 or 12.25 x 7.5 Hendrickson Standard Shoes.

Track is measured center of duals to center of duals.

71.5" track is for 96" wide trailer.

77.5" track is for 102" wide trailer.

83.5" track, for 108" wide trailer

| Part No.           | Track | Beam Rating (Lb.) | Cam Info          | Spindle  | Notes                        |
|--------------------|-------|-------------------|-------------------|----------|------------------------------|
| <b>1011655-ABS</b> | 71.5" | 22,500            | 23.38", 28 spline | Tapered  | 12.25x7.5 shoes, spring ride |
| <b>1011657-ABS</b> | 71.5" | 25,000            | 23.38", 28 spline | Tapered  | 12.25x7.5 shoes, air ride    |
| <b>1011658-ABS</b> | 77.5" | 25,000            | 23.38", 28 spline | Tapered  | 12.25x7.5 shoes, air ride    |
| <b>2214054-ABS</b> | 71.5" | 25,000            | 23.75", 28 spline | Tapered  | air ride                     |
| <b>2214055-ABS</b> | 77.5" | 25,000            | 23.75", 28 spline | Tapered  | air ride                     |
| <b>2214061-ABS</b> | 71.5" | 25,000            | 23.75", 28 spline | Parallel | 5" round, Propar             |
| <b>2214062-ABS</b> | 77.5" | 25,000            | 23.75", 28 spline | Parallel | 5" round, Propar             |
| <b>2214066-ABS</b> | 83.5" | 25,000            | 26.50" 28 spline  | Parallel | 83.5" track                  |

Tapered:

HM218248 / HM212049

Parallel:

HM518445 / HM518410







## FLEETCRAFT TRAILER AXLES

### Features and Benefits:

- Seamless beam tube - No welded seams that affect structural integrity.
- Single piece beam - Consistent material properties throughout.
- Spindle plug - Internally vented.
- "Q Plus" brakes on 16.5x7 brake axles.
- Hardened Journals - Hardened bearing and bushing journals.
- Weight - One of the lightest in the industry.
- Warranty - 5 years parts / 1 year labor.



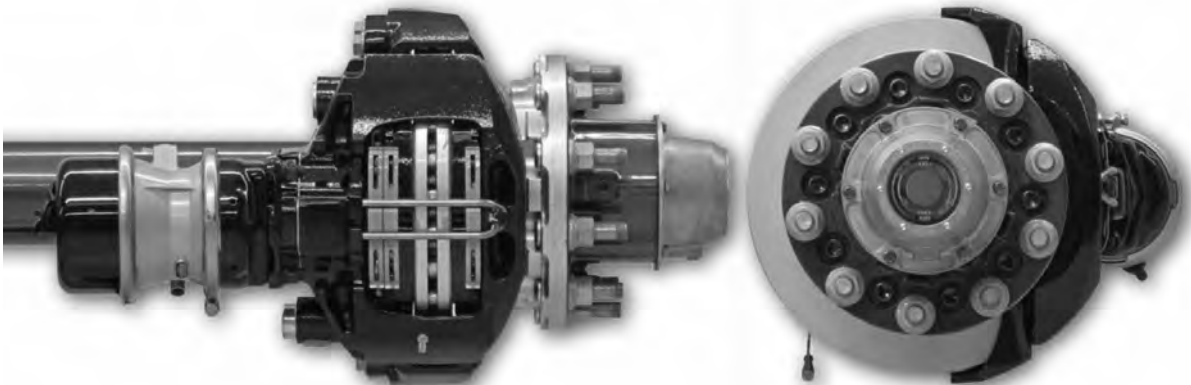
| Part No.           | Track  | Beam Rating (Lb.) | Cam Info          | Spindle  | Notes                        |
|--------------------|--------|-------------------|-------------------|----------|------------------------------|
| <b>6011655-ABS</b> | 71.5"  | 22,500            | 23.38", 28 spline | Tapered  | 12.25x7.5 shoes, spring ride |
| <b>6011657-ABS</b> | 71.5"  | 25,000            | 23.38", 28 spline | Tapered  | 12.25x7.5 shoes, air ride    |
| <b>6011658-ABS</b> | 77.5"  | 22,500            | 23.38", 28 spline | Tapered  | 12.25x7.5 shoes, air ride    |
| <b>6614053</b>     | 71.5"  | 22,500            | 21.38", 28 spline | Tapered  | drop center, no ABS          |
| <b>6614054-ABS</b> | 71.5"  | 25,000            | 23.75", 28 spline | Tapered  | air ride                     |
| <b>6614055-ABS</b> | 77.5"  | 25,000            | 23.75", 28 spline | Tapered  | air ride                     |
| <b>6614059-ABS</b> | 107.5" | 25,000            | 23.75", 28 spline | Tapered  | 5/8" wall, air ride          |
| <b>6614061-ABS</b> | 71.5"  | 25,000            | 23.75", 28 spline | Parallel | Propar, air ride             |
| <b>6614062-ABS</b> | 77.5"  | 25,000            | 23.75", 28 spline | Parallel | Propar, air ride             |

Tapered:  
HM218248 / HM212049  
Parallel:  
HM518445 / HM518410





## FLEETCRAFT TRAILER AXLES - AIR DISC BRAKE



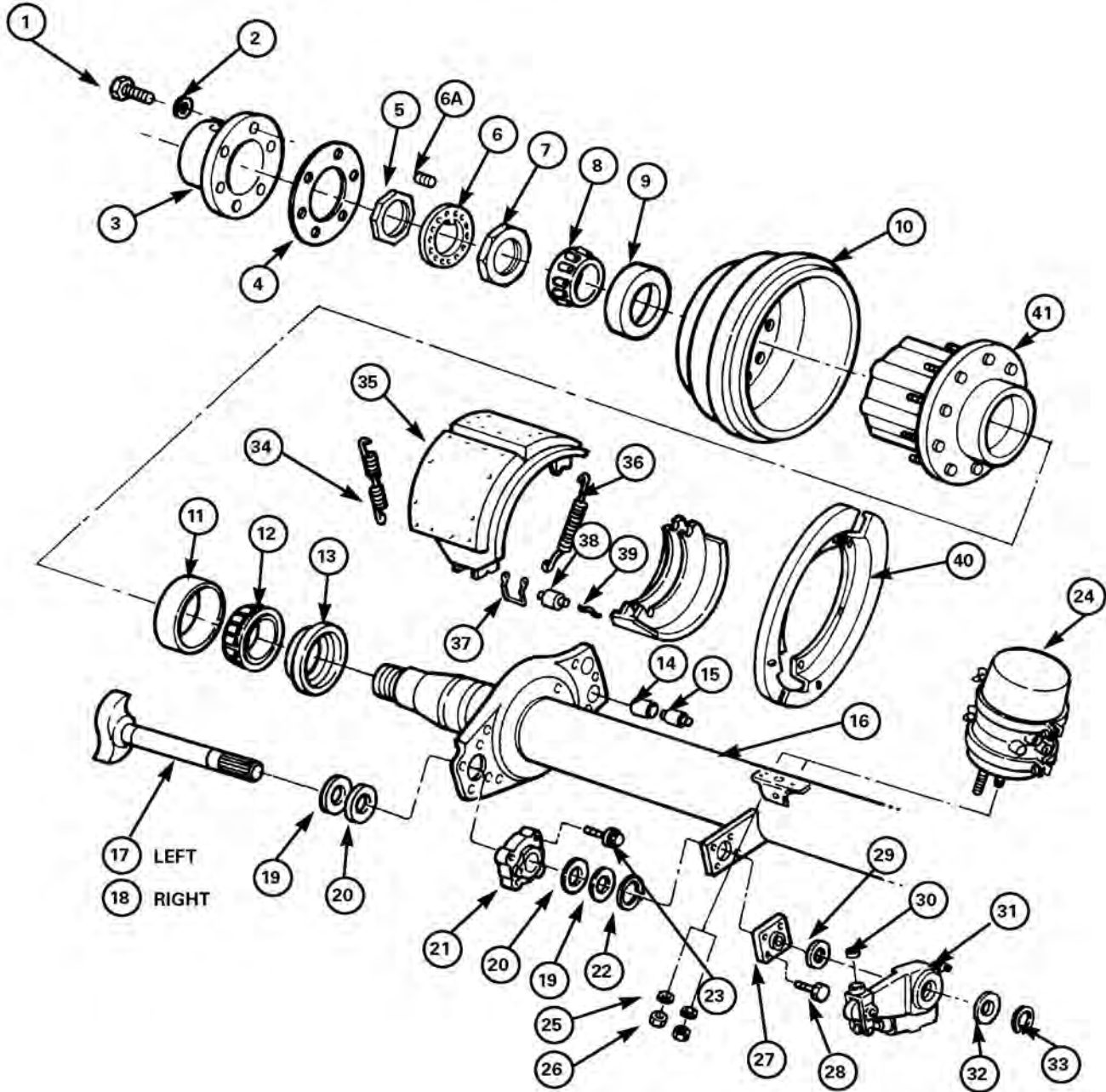
### **Wabco Pan 22 Proven Single Piston Technology:**

- Less than half the moving parts when compared to traditional dual piston clamping mechanisms.
- Wabco disc brakes benefit from the advantages of patented spreader plate technology
- Stable braking with virtually no fading, excellent downhill performance.
- CSA Scores - no slack adjusters, eliminates out of adjustment concerns.
- Increased driver comfort.
- Less downtime - Significantly longer service intervals.
- Ease of serviceability - less than half the time to perform a lining change.



## AXLE BREAKDOWN - TYPICAL SET UP

### Typical 16.5" x 7" Q Series Brake Installation



**Meritor Axle Assembly exploded view:  
16.5 x 7" Q Plus brake, TQ, Oil Hubs, 3030 Chamber,  
Automatic Slack, Hub Pilot**  
PLEASE SEE NEXT PAGE FOR PART NUMBER CHART

**AXLE BREAKDOWN - TYPICAL SET UP**

| Item  | Qty per Axle | Part #       | Description                  |
|-------|--------------|--------------|------------------------------|
| 1     | 12           | 1010125      | Cap Screw                    |
| 2     | 12           | Optional     | Star Lock Washer             |
| 3     | 2            | 340-4009     | Hubcap                       |
| 4     | 2            | 330-3009     | Gasket                       |
| 5     | 2            | R000572      | Wheel Bearing Jam Nut        |
| 6     | 2            | R000573      | Lock Washer                  |
| 6a    | 2            | 1199K3859    | Set Screw                    |
| 7     | 2            | R000540      | Wheel Bearing Adjusting Nut  |
| 8     | 2            | HM212049     | Outer Bearing Cone           |
| 9     | 2            | HM212011     | Outer Bearing Cup            |
| 10    | 2            | 66864B       | Brake Drum                   |
| 11    | 2            | HM218210     | Inner Bearing Cup            |
| 12    | 2            | HM218248     | Inner Bearing Cone           |
| 13    | 2            | 370025A      | Wheel Seal - 307-0743        |
| 14    | SEE ITEM 42  |              | Bushing Anchor Pin           |
| 15    | SEE ITEM 42  |              | Pin Anchor                   |
| 16    | 1            | TQ4671LR7350 | Beam Axle - 77.5" Track 25K  |
| 17    | 1            | 2210E6869    | Left Camshaft 24 1/16"       |
| 18    | 1            | 2210D6868    | Right Camshaft 24 1/16"      |
| 19    | SEE ITEM 43  |              | Washer                       |
| 20    | SEE ITEM 43  |              | Seal                         |
| 21    | SEE ITEM 43  |              | Bushing                      |
| 22    | SEE ITEM 43  |              | Snap Ring                    |
| 23    | SEE ITEM 43  |              | Cap Screw                    |
| 24    | 2            | 1010452      | 30/30 Spring Brake Chamber   |
| 25    | SEE ITEM 24  |              | Lock Washer                  |
| 26    | SEE ITEM 24  |              | Locknut                      |
| 27    | SEE ITEM 43  |              | Camshaft Bushing Assembly    |
| 28    | SEE ITEM 43  |              | Cap Screw                    |
| 29    | SEE ITEM 43  |              | Slack Adjuster Washer        |
| 30    | SEE ITEM 24  |              | Slack Adjuster Locknut       |
| 31    | 2            | R801074      | Automatic Slack Adjuster 6"  |
| 32    | SEE ITEM 43  |              | Slack Adjuster Washer        |
| 33    | SEE ITEM 43  |              | Slack Adjuster Snap Ring     |
| 34    | SEE ITEM 42  |              | Brake Shoe Return Spring     |
| 35    | 4            | MA212-4707Q  | Brake Shoe Assy 4707Q        |
| 36    | SEE ITEM 42  |              | Brake Shoe Retaining Spring  |
| 37    | SEE ITEM 42  |              | Brake Shoe Roller Retainer   |
| 38    | SEE ITEM 42  |              | Brake Shoe Roller            |
| 39    | SEE ITEM 42  |              | Brake Shoe Return Spring Pin |
| 40    | 2            | R009095      | Dust Shield (optional)       |
| 41    | 2            | 20231--5T    | Hub w/ ABS Tone Ring         |
| 41a** | 20           | E-6034       | Wheel Stud 4.79"             |
| 42**  | 2            | E-2769S      | Brake Hardware Kit           |
| 43**  | 1            | KIT8078A     | Cam Repair Kit               |
| 44**  | 2            | S2255U1113   | Weld on ABS Sensor Block     |
| 45**  | 2            | 1810000      | ABS Sensor                   |

\*\* Items not represented in exploded view



**BRAKE SPIDER**

**Part No. E-957** **Description**  
 For 16-1/2" diameter brakes;  
 Brake 5-5/8" diameter pilot hole,  
 Spider 16 holes for 1/2" diameter bolts.  
 Complete with nylon bushing installed.

Replaces  
 M737, 2-132, L517  
 Std. Forge 200999-010  
 Meritor A3211A833  
 Eaton B-1593-1  
 Dana/Spicer M16WS135X

Easy Anchor Pin Removal and Replacement. Prevents Bending of Spiders Caused by Driving Out Frozen Anchor Pins. Allows Adjustment for Wear. INCLUDES: E-1416 Seal and E-759 Bushing



**AXLE DUST SHIELDS**

NOTE: Dust shields are easily damaged if they are installed before the axle is on the vehicle. For this reason, they are not available as part of an axle kit, unless requested.

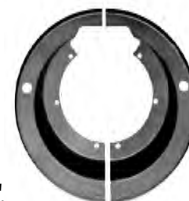
**STEEL DUST SHIELD**  
 One Piece Universal Bolt-On For 16 1/2" x 7" brakes. For applications on Eaton, Rockwell, Spicer. Replaces E-886, M1583, 02-507  
**Part No. E-886**



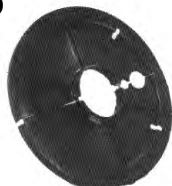
**STEEL DUST SHIELD**  
 One Piece For Axles with fabricated steel spiders. Replaces A2-3264-N-1236 As-3264-P-1238 E-9095  
**Part No. R09095**



**STEEL DUST SHIELD**  
 2 Piece Bolt-On For 16 1/2" x 7" "Q" and "P" brakes. For applications on Eaton, Rockwell, Spicer. 6 holes - 7/16". Outer diameter 18-1/8". Inner diameter 10-11/16".  
**Part No. A13236Q2123**



**PLASTIC DUST SHIELD**  
 For 5" Round Axles. Installed on axle beam using clamping hardware included. 3/4" wide-1/8" thick steel clamp (#HTM550).  
**Part No. 1012019**



**DUST SHIELD KIT - SEALED**  
 From Hendrickson, this dust shield kit works to eliminate the elements of dirt and grime that penetrate the brakes. Comes with clamping hardware kit. One piece shield is for 16.5" brakes with 5" diameter axle. Create a sealed unit with grommet and port plug. Installation instructions included.  
**Part No. S28500-1650**

**Part No. S28500-1650**  
 Sealed Dust shield Kit Kit Contains:  
 • Dust shield Clamp  
 • Grommet  
 • Blind Grommet  
 • Split Grommet  
 • Clamp-On Dust shield





**FLARED FITTINGS / PIPE FITTINGS / MOUNTING NIPPLES**

**SHUT OFF VALVE**  
 Ball type valve with  
 1/2" NPTF both ends.  
 Working pressure 150 PSI.  
**Part No. 12116**



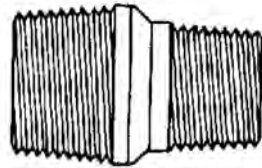
**HEAVY DUTY  
 MOUNTING NIPPLES**  
 Straight nipple  
 1/2" NPT, 1-5/8" long  
**Part No. 6002S**



3/4" NPT, 1-5/8" long  
**Part No. 6006**

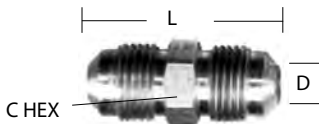


**Reducing Nipple**  
 3/4" to 1/2" NPT,  
 1-5/8" long.  
**Part No. 6003**



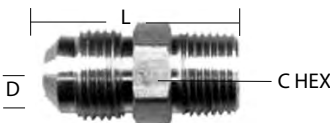
**SAE 45° FLARED FITTINGS**  
 To Be Used With Copper, Brass,  
 Aluminum and welded steel hydraulic  
 tubing that can be flared

**SAE 45° FLARED FITTINGS  
 UNION**



| Part No. | Tube Size | Straight Thread | C Hex | L    | Flow Dia. D |
|----------|-----------|-----------------|-------|------|-------------|
| 42F-10   | 5/8       | 7/8-14          | 7/8   | 2.10 | .502        |

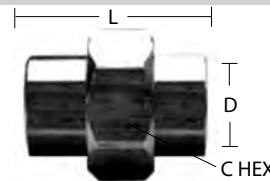
**SAE 45° FLARED FITTINGS  
 MALE CONNECTOR**



| Part No. | Tube Size | Pipe Thread | Straight Thread | C Hex | L    | Flow Dia. D |
|----------|-----------|-------------|-----------------|-------|------|-------------|
| 48F-4-2  | 1/4       | 1/8         | 7/16-20         | 7/16  | 1.04 | .189        |
| 48F-6-4  | 3/8       | 1/4         | 5/8-18          | 5/8   | 1.42 | .282        |
| 48F-6-6  | 3/8       | 3/8         | 5/8-18          | 11/16 | 1.42 | .282        |
| 48F-8-6  | 1/2       | 3/8         | 3/4-16          | 3/4   | 1.60 | .408        |
| 48F-8-8  | 1/2       | 1/2         | 3/4-16          | 7/8   | 1.79 | .408        |
| 48F-10-8 | 5/8       | 1/2         | 7/8-14          | 7/8   | 1.98 | .501        |

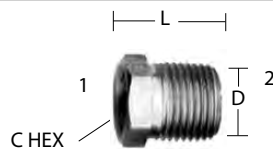
**PIPE FITTINGS Meet Functional Requirements of the SAE, ASME, and ASA.**

**COUPLING**



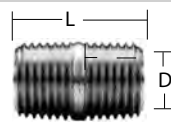
| Part No. | Pipe Thread | C Hex  | L    | FLOW DIA. D |
|----------|-------------|--------|------|-------------|
| 207P-2   | 1/8         | 9/16   | .75  | .328        |
| 207P-4   | 1/4         | 3/4    | 1.12 | .422        |
| 207P-6   | 3/8         | 7/8    | 1.12 | .562        |
| 207P-8   | 1/2         | 1-1/16 | 1.50 | .687        |

**REDUCER COUPLING**



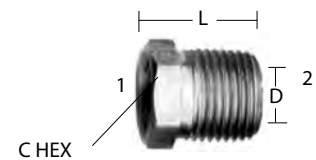
| Part No. | 1 Pipe Thread | 2 Pipe Thread | C Hex  | L    | FLOW DIA. D |
|----------|---------------|---------------|--------|------|-------------|
| 208P-6-4 | 3/8           | 1/4           | 7/8    | 1.16 | .422        |
| 208P-8-4 | 1/2           | 1/4           | 1-1/16 | 1.28 | .422        |

**CLOSE NIPPLE**



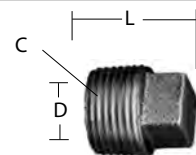
| Part No. | Pipe Thread | L Hex | FLOW DIA. D |
|----------|-------------|-------|-------------|
| 215PN-2  | 1/8         | .75   | .281        |
| 215PN-4  | 1/4         | .88   | .375        |
| 215PN-6  | 3/8         | 1.00  | .500        |
| 215PN-8  | 1/2         | 1.28  | .625        |

**COUPLING**



| Part No.  | 1 Pipe Thread | 2 Pipe Thread | C Hex | L    | FLOW DIA. D |
|-----------|---------------|---------------|-------|------|-------------|
| 209P-4-2  | 1/8           | 1/4           | 9/16  | .75  | .328        |
| 209P-6-2  | 1/8           | 3/8           | 11/16 | .75  | .328        |
| 209P-6-4  | 1/4           | 3/8           | 11/16 | .75  | .422        |
| 209P-8-4  | 1/4           | 1/2           | 7/8   | 1.00 | .422        |
| 209P-8-6  | 3/8           | 1/2           | 7/8   | 1.00 | .562        |
| 209P-12-6 | 1/2           | 3/8           | 1-1/8 | 1.00 | .688        |
| 209P-12-8 | 1/2           | 3/4           | 1-1/8 | 1.00 | .688        |

**SQUARE-HEAD PLUG**



| Part No. | Pipe Thread | C Hex | L    | FLOW DIA. D |
|----------|-------------|-------|------|-------------|
| 211P-2   | 1/8         | 9/32  | .59  | .25         |
| 211P-4   | 1/4         | 3/8   | .80  | .30         |
| 211P-6   | 3/8         | 15/32 | .80  | .30         |
| 211P-8   | 1/2         | 9/16  | 1.07 | .39         |
| 211P-12  | 3/4         | 5/8   | 1.14 | .45         |



## D.O.T. BRASS FITTINGS FOR AIR BRAKE SYSTEMS

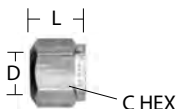
### AIR BRAKE FITTINGS For use with Nylon Tubing Conforming to SAE J844 Type 3A and 3B

#### SLEEVE



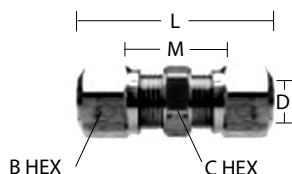
| Part No. | Tube Size | D    | A    | L    |
|----------|-----------|------|------|------|
| 60NTA-4  | 1/4       | .256 | .359 | .295 |
| 60NTA-6  | 3/8       | .384 | .479 | .390 |
| 60NTA-8  | 1/2       | .509 | .624 | .430 |
| 60NTA-10 | 5/8       | .634 | .746 | .490 |
| 60NTA-12 | 3/4       | .760 | .922 | .540 |

#### NUT



| Part No. | Tube Size | Straight Thread | C Hex | D    | L   |
|----------|-----------|-----------------|-------|------|-----|
| 61NTA-4  | 1/4       | 7/16-24         | 9/16  | .256 | .45 |
| 61NTA-6  | 3/8       | 17/32-24        | 5/8   | .384 | .63 |
| 61NTA-8  | 1/2       | 11/16-20        | 13/16 | .509 | .72 |
| 61NTA-10 | 5/8       | 13/16-18        | 15/16 | .634 | .77 |
| 61NTA-12 | 3/4       | 1-18            | 1-1/8 | .762 | .81 |

#### UNION



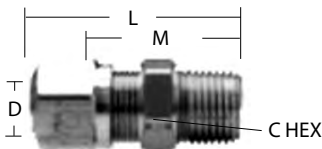
| Part No. | Tube Size | Straight Thread | B HEX | C HEX | L    | M    | FLOW DIA. D |
|----------|-----------|-----------------|-------|-------|------|------|-------------|
| 62NTA-4  | 1/4       | 7/16-24         | 9/16  | 7/16  | 1.49 | .83  | .137        |
| 62NTA-6  | 3/8       | 17/32-24        | 5/8   | 9/16  | 2.00 | 1.08 | .217        |
| 62NTA-8  | 1/2       | 11/16-20        | 13/16 | 11/16 | 2.33 | 1.29 | .338        |
| 62NTA-10 | 5/8       | 13/16-18        | 15/16 | 13/16 | 2.39 | 1.41 | .398        |
| 62NTA-12 | 3/4       | 1-18            | 1-1/8 | 1     | 2.60 | 1.58 | .523        |

#### NTA FITTING INSERT



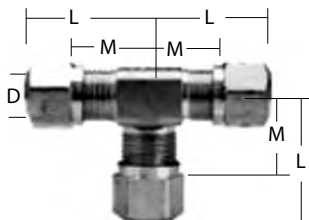
| Part No. | Tube Size | L    | O.D. |
|----------|-----------|------|------|
| 63NTA-4  | 1/4       | .53  | .163 |
| 63NTA-6  | 3/8       | .64  | .245 |
| 63NTA-8  | 1/2       | .81  | .370 |
| 63NTA-10 | 5/8       | .86  | .434 |
| 63NTA-12 | 3/4       | 1.04 | .559 |

#### MALE CONNECTOR



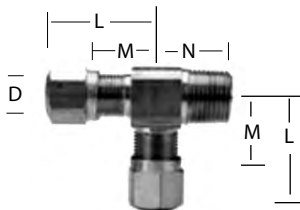
| Part No.    | Tube Size | Straight Thr'd | Pipe Thr'd | C HEX  | L    | M    | FLOW DIA. D |
|-------------|-----------|----------------|------------|--------|------|------|-------------|
| 68NTA-4-2   | 1/4       | 7/16-24        | 1/8        | 7/16   | 1.22 | .89  | 1.37        |
| 68NTA-4-4   | 1/4       | 7/16-24        | 1/4        | 9/16   | 1.43 | 1.10 | 1.37        |
| 68NTA-4-6   | 1/4       | 7/16-24        | 3/8        | 11/16  | 1.47 | 1.14 | 1.37        |
| 68NTA-6-2   | 3/8       | 17/32-24       | 1/8        | 9/16   | 1.49 | 1.03 | .217        |
| 68NTA-6-4   | 3/8       | 17/32-24       | 1/4        | 9/16   | 1.67 | 1.21 | .217        |
| 68NTA-6-6   | 3/8       | 17/32-24       | 3/8        | 11/16  | 1.70 | 1.24 | .217        |
| 68NTA-6-8   | 3/8       | 17/32-24       | 1/2        | 7/8    | 1.89 | 1.43 | .217        |
| 68NTA-8-4   | 1/2       | 11/16-20       | 1/4        | 11/16  | 1.85 | 1.33 | .338        |
| 68NTA-8-6   | 1/2       | 11/16-20       | 3/8        | 11/16  | 1.85 | 1.33 | .338        |
| 68NTA-8-8   | 1/2       | 11/16-20       | 1/2        | 7/8    | 2.04 | 1.52 | .338        |
| 68NTA-10-6  | 5/8       | 13/16-18       | 3/8        | 13/16  | 1.88 | 1.39 | .398        |
| 68NTA-10-8  | 5/8       | 13/16-18       | 1/2        | 7/8    | 2.10 | 1.58 | .398        |
| 68NTA-12-8  | 3/4       | 1-18           | 1/2        | 1      | 2.19 | 1.68 | .523        |
| 68NTA-12-12 | 3/4       | 1-18           | 3/4        | 1-1/16 | 2.22 | 1.71 | .523        |

#### UNION TEE



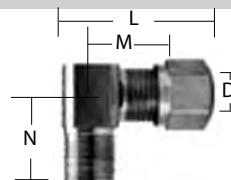
| Part No.  | Tube Size | Straight Thread | L    | M    | FLOW DIA. D |
|-----------|-----------|-----------------|------|------|-------------|
| 264NTA-4  | 1/4       | 7/16-24         | .95  | .62  | .137        |
| 264NTA-6  | 3/8       | 17/32-24        | 1.24 | .78  | .217        |
| 264NTA-8  | 1/2       | 11/16-20        | 1.45 | .93  | .338        |
| 264NTA-10 | 5/8       | 13/16-18        | 1.58 | 1.09 | .398        |

#### MALE RUN TEE



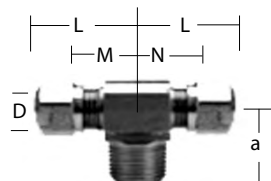
| Part No.   | Tube Size | Pipe Thr'd | Straight Thread | L    | M   | N   | Flow Dia. D |
|------------|-----------|------------|-----------------|------|-----|-----|-------------|
| 271NTA-6-4 | 3/8       | 1/4        | 17/32-24        | 1.25 | .79 | .92 | .217        |
| 271NTA-6-6 | 3/8       | 3/8        | 17/32-24        | 1.30 | .84 | .91 | .217        |
| 271NTA-8-6 | 1/2       | 3/8        | 11/16-20        | 1.45 | .93 | .99 | .338        |

#### MALE ELBOW



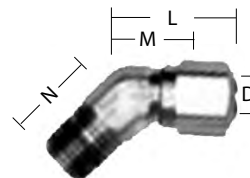
| Part No.    | Tube Size | Pipe Thread | Straight Thread | L    | M    | N    | FLOW DIA. D |
|-------------|-----------|-------------|-----------------|------|------|------|-------------|
| 269NTA-4-2  | 1/4       | 1/8         | 7/16-24         | .95  | .62  | .66  | .137        |
| 269NTA-4-4  | 1/4       | 1/4         | 7/16-24         | 1.00 | .68  | .87  | .137        |
| 269NTA-4-6  | 1/4       | 3/8         | 7/16-24         | 1.16 | .73  | .86  | .137        |
| 269NTA-6-2  | 3/8       | 1/8         | 17/32-24        | 1.19 | .73  | .75  | .217        |
| 269NTA-6-4  | 3/8       | 1/4         | 17/32-24        | 1.25 | .79  | .92  | .217        |
| 269NTA-6-6  | 3/8       | 3/8         | 17/32-24        | 1.30 | .84  | .91  | .217        |
| 269NTA-6-8  | 3/8       | 1/2         | 17/32-24        | 1.40 | .94  | 1.10 | .217        |
| 269NTA-8-4  | 1/2       | 1/4         | 11/16-20        | 1.38 | .86  | .99  | .338        |
| 269NTA-8-6  | 1/2       | 3/8         | 11/16-20        | 1.44 | .92  | .99  | .338        |
| 269NTA-8-8  | 1/2       | 1/2         | 11/16-20        | 1.55 | 1.03 | 1.18 | .338        |
| 269NTA-10-6 | 5/8       | 3/8         | 13/16-18        | 1.49 | 1.00 | 1.05 | .398        |
| 269NTA-10-8 | 5/8       | 1/2         | 13/16-18        | 1.58 | 1.09 | 1.24 | .398        |
| 269NTA-12-8 | 3/4       | 1/2         | 1-18            | 1.70 | 1.19 | 1.33 | .523        |

#### MALE BRANCH TEE



| Part No.   | Tube Size | Pipe Thr'd | Straight Thread | L    | M   | N   | Flow Dia. D |
|------------|-----------|------------|-----------------|------|-----|-----|-------------|
| 272NTA-4-2 | 1/4       | 1/8        | 7/16-24         | .95  | .62 | .66 | .137        |
| 272NTA-4-4 | 1/4       | 1/4        | 7/16-24         | 1.00 | .68 | .87 | .137        |
| 272NTA-6-4 | 3/8       | 1/4        | 17/32-24        | 1.25 | .91 | .92 | .217        |
| 272NTA-6-6 | 3/8       | 3/8        | 17/32-24        | 1.30 | .84 | .91 | .217        |
| 272NTA-8-6 | 1/2       | 3/8        | 11/16-20        | 1.45 | .93 | .99 | .338        |

#### 45° ELBOW



| Part No.   | Tube Size | Pipe Thr'd | Straight Thread | L    | M   | N    | Flow Dia. D |
|------------|-----------|------------|-----------------|------|-----|------|-------------|
| 279NTA-4-2 | 1/4       | 1/8        | 7/16-24         | .81  | .49 | .63  | .137        |
| 279NTA-6-4 | 3/8       | 1/4        | 17/32-24        | 1.17 | .71 | .85  | .217        |
| 279NTA-6-6 | 3/8       | 3/8        | 17/32-24        | 1.21 | .75 | .94  | .217        |
| 279NTA-6-8 | 3/8       | 1/2        | 17/32-24        | 1.24 | .78 | 1.16 | .217        |
| 279NTA-8-6 | 1/2       | 3/8        | 11/16-20        | 1.36 | .84 | .94  | .338        |
| 279NTA-8-8 | 1/2       | 1/2        | 11/16-20        | 1.39 | .87 | 1.16 | .338        |

**DRAIN COCKS - TRUCK VALVES - DRAIN VALVES****GROUND PLUG SHUT OFF COCK**

Female Pipe To Male Pipe (30 PSI)

| <b>Part No.</b>  | <b>Female Pipe Thread</b> | <b>Male Pipe Thread</b> |
|------------------|---------------------------|-------------------------|
| <b>V402P-2-2</b> | 1/8"                      | 1/8"                    |
| <b>V402P-4-4</b> | 1/4"                      | 1/4"                    |
| <b>V402P-6-6</b> | 3/8"                      | 3/8"                    |

**BRASS VALVE DRAIN COCK - 1/4" NPTF****Part No. DCR601-4****DRAIN COCK  
Ground Key  
Lever Handle  
Plug Type**

| <b>NPTF</b> | <b>Part No.</b> |
|-------------|-----------------|
| 1/4"        | <b>DC601-4</b>  |
| 3/8"        | <b>DC601-6</b>  |
| 1/2"        | <b>DC601-8</b>  |

**TRUCK VALVE**

Hose To Male Pipe (Forged Body)

| <b>Part No.</b>    | <b>I.D.</b> | <b>Thread</b> |
|--------------------|-------------|---------------|
| <b>SV404P-6-6</b>  | 3/8"        | 3/8"          |
| <b>SV404P-10-6</b> | 5/8"        | 3/8"          |
| <b>SV404P-10-8</b> | 5/8"        | 1/2"          |
| <b>SV404P-12-6</b> | 3/4"        | 3/8"          |
| <b>SV404P-12-8</b> | 3/4"        | 1/2"          |



**DRAIN COCK  
NEEDLE SEAT  
ONE PIECE  
PLUG AND HANDLE**

| <b>NPTF</b> | <b>Part No.</b> |
|-------------|-----------------|
| 1/8"        | <b>DC603-2</b>  |
| 1/4"        | <b>DC603-4</b>  |
| 3/8"        | <b>DC603-6</b>  |

**TRUCK VALVE**

Female Pipe To Male Pipe (200 psi)

| <b>Part No.</b>  | <b>I.D.</b> | <b>Thread</b> |
|------------------|-------------|---------------|
| <b>V405P-6-6</b> | 3/8"        | 3/8"          |
| <b>V405P-6-8</b> | 3/8"        | 1/2"          |
| <b>V405P-8-8</b> | 1/2"        | 1/2"          |

**EXTERNAL SEAT DRAIN COCK  
BACK SEATING TYPE**

| <b>NPTF</b> | <b>Part No.</b> |
|-------------|-----------------|
| 1/8"        | <b>DC604-2</b>  |
| 1/4"        | <b>DC604-4</b>  |
| 3/8"        | <b>DC604-6</b>  |
| 1/2"        | <b>DC604-8</b>  |

**DRAIN VALVES WITH CABLE**

Use on wet or dry tanks.

1/4" NPTF.

Nylon coated stainless cable.

3' Cable: **Part No. 12103**4' Cable: **Part No. 12104**5' Cable: **Part No. 12105****DRAIN VALVES WITH CABLE**

Use on wet or dry tanks.

1/4" NPTF. Brass body

with stainless spring.

Nylon coated stainless cable.

4' Cable - **Part No. FC12104**5' Cable - **Part No. FC12105**

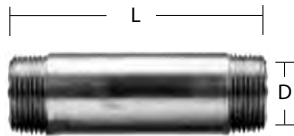




## BRASS FITTINGS FOR AIR BRAKE SYSTEMS

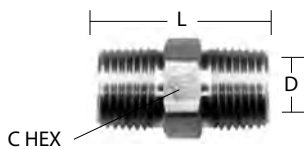
### PIPE FITTINGS Meet Functional Requirements of the SAE, ASME, and ASA.

#### LONG NIPPLE



| Part No.    | Pipe Thread | L Hex | FLOW DIA. D |
|-------------|-------------|-------|-------------|
| 215PNL-4-15 | 1/4         | 1-1/2 | .375        |
| 215PNL-6-15 | 3/8         | 1-1/2 | .500        |
| 215PNL-4-20 | 1/4         | 2     | .375        |
| 215PNL-6-20 | 3/8         | 2     | .500        |
| 215PNL-8-25 | 1/2         | 2-1/2 | .625        |

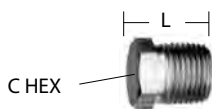
#### HEX NIPPLE



| Part No. | Pipe Thread | C Hex | L    | FLOW DIA. D |
|----------|-------------|-------|------|-------------|
| 216P-2   | 1/8         | 7/16  | .97  | .220        |
| 216P-4   | 1/4         | 9/16  | 1.38 | .314        |
| 216P-6   | 3/8         | 11/16 | 1.41 | .440        |
| 216P-8   | 1/2         | 7/8   | 1.81 | .564        |

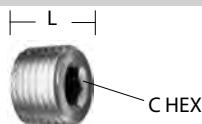
We also have 216P-6-4 reducer. 3/8 to 1/4 pipe.

#### HEX-HEAD PLUG



| Part No. | Pipe Thread | C Hex | L    |
|----------|-------------|-------|------|
| 218P-2   | 1/8         | 7/16  | .56  |
| 218P-4   | 1/4         | 9/16  | .75  |
| 218P-6   | 3/8         | 11/16 | .78  |
| 218P-8   | 1/2         | 7/8   | .97  |
| 218P-12  | 3/4         | 1-1/8 | 1.18 |

#### COUNTERSUNK HEX PLUG



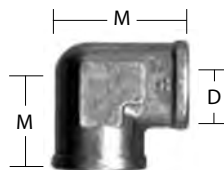
| Part No. | Pipe Thread | C Hex | L   |
|----------|-------------|-------|-----|
| 219P-4   | 1/4         | 1/4   | .46 |
| 219P-6   | 3/8         | 5/16  | .47 |

#### ADAPTER



| Part No. | 1 Pipe Thread | 2 Pipe Thread | C HEX  | L    | FLOW DIA. D |
|----------|---------------|---------------|--------|------|-------------|
| 222P-4-2 | 1/4           | 1/8           | 3/4    | 1.06 | .220        |
| 222P-6-4 | 3/8           | 1/4           | 7/8    | 1.25 | .314        |
| 222P-6-6 | 3/8           | 3/8           | 7/8    | 1.25 | .440        |
| 222P-8-6 | 1/2           | 3/8           | 1-1/16 | 1.47 | .440        |

#### 90° UNION ELBOW



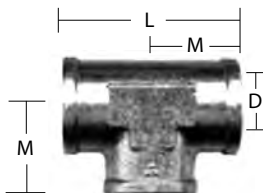
| Part No.  | Pipe Thread | M    | FLOW DIA. D |
|-----------|-------------|------|-------------|
| 2200P-6-6 | 3/8         | .84  | .563        |
| 2200P-8-8 | 1/2         | 1.09 | .687        |

#### 90° STREET ELBOW



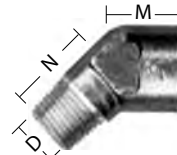
| Part No.  | 1 Pipe Thread | 2 Pipe Thread | M    | N    | FLOW DIA. D |
|-----------|---------------|---------------|------|------|-------------|
| 2202P-2-2 | 1/8           | 1/8           | .62  | .48  | .220        |
| 2202P-4-4 | 1/4           | 1/8           | .72  | .51  | .209        |
| 2202P-6-6 | 3/8           | 3/8           | .98  | .54  | .428        |
| 2202P-8-8 | 1/2           | 1/2           | 1.25 | 1.03 | .552        |

#### UNION TEE



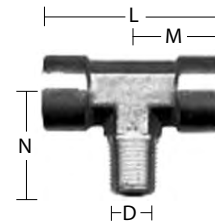
| Part No. | Pipe Thread | L    | M    | FLOW DIA. D |
|----------|-------------|------|------|-------------|
| 2203P-2  | 1/8         | 1.10 | .55  | .328        |
| 2203P-4  | 1/4         | 1.56 | .78  | .422        |
| 2203P-6  | 3/8         | 1.68 | .84  | .562        |
| 2203P-8  | 1/2         | 2.14 | 1.07 | .687        |

#### 45° STREET ELBOW



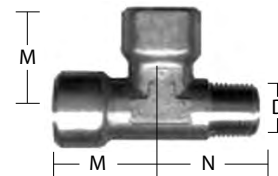
| Part No.  | Pipe Thread | M   | N    | FLOW DIA. D |
|-----------|-------------|-----|------|-------------|
| 2214P-4-4 | 1/4         | .54 | .70  | .314        |
| 2214P-6-6 | 3/8         | .54 | .78  | .440        |
| 2214P-8-8 | 1/2         | .73 | 1.00 | .562        |

#### MALE BRANCH TEE



| Part No. | Pipe Thread | L    | M   | N   | FLOW DIA. D |
|----------|-------------|------|-----|-----|-------------|
| 2224P-6  | 3/8         | 1.68 | .84 | .97 | .438        |

#### STREET TEE



| Part No. | Pipe Thread | M    | N    | FLOW DIA. D |
|----------|-------------|------|------|-------------|
| 2225P-2  | 1/8         | .55  | .66  | .220        |
| 2225P-4  | 1/4         | .76  | .91  | .312        |
| 2225P-6  | 3/8         | .82  | .99  | .440        |
| 2225P-8  | 1/2         | 1.07 | 1.27 | .564        |

**D.O.T. APPROVED "PUSH-IN" FITTINGS**

**To Connect Tube** - Cut plastic as squarely as possible. Insert tube into fitting until friction is felt as tube slides past the O-ring. Using a slight twisting motion while inserting the tube is often helpful. After this initial friction is felt, continue to push in the tube until it bottoms firmly against the internal tube stop.

**To Disconnect** - With thumb and forefinger, hold down the top of the insert against the fitting body, and with the other hand, pull out the tubing. No tools are needed.

**SWIVEL 90° MALE ELBOW**

| Part No.     | Tube | Pipe |
|--------------|------|------|
| PL169PMT-4-2 | 1/4" | 1/8" |
| PL169PMT-4-4 | 1/4" | 1/4" |
| PL169PMT-6-4 | 3/8" | 1/4" |
| PL169PMT-6-6 | 3/8" | 3/8" |
| PL169PMT-8-6 | 1/2" | 3/8" |
| PL169PMT-8-8 | 1/2" | 1/2" |

**UNION**

| Part No.   | Tube |
|------------|------|
| PL62PMT-4  | 1/4" |
| PL62PMT-6  | 3/8" |
| PL62PMT-8  | 1/2" |
| PL62PMT-10 | 5/8" |
| PL62PMT-12 | 3/4" |

**MALE BRANCH TEE**

| Part No.     | Tube / Pipe |
|--------------|-------------|
| PL272PMT-4-4 | 1/4"-1/4"   |
| PL272PMT-6-4 | 3/8"-1/4"   |
| PL272PMT-6-6 | 3/8"-3/8"   |
| PL272PMT-8-6 | 1/2"-3/8"   |

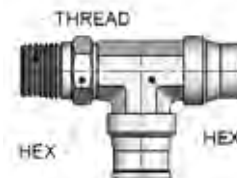
**MALE CONNECTOR**

HEX

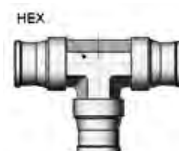
| Part No.    | Tube | Pipe |
|-------------|------|------|
| PL68PMT-4-2 | 1/4" | 1/8" |
| PL68PMT-4-4 | 1/4" | 1/4" |
| PL68PMT-6-4 | 3/8" | 1/4" |
| PL68PMT-6-6 | 3/8" | 3/8" |
| PL68PMT-6-8 | 3/8" | 1/2" |
| PL68PMT-8-6 | 1/2" | 3/8" |
| PL68PMT-8-8 | 1/2" | 1/2" |

**MALE ELBOW 45°**

| Part No.     | Tube / Pipe |
|--------------|-------------|
| PL279PMT-6-6 | 3/8"-3/8"   |
| PL279PMT-6-8 | 3/8"-1/2"   |
| PL279PMT-8-6 | 1/2"-3/8"   |
| PL279PMT-8-8 | 1/2"-1/2"   |

**MALE RUN TEE**

| Part No.     | Tube / Pipe |
|--------------|-------------|
| PL271PMT-4-4 | 1/4"-1/4"   |
| PL271PMT-6-4 | 3/8"-1/4"   |
| PL271PMT-6-6 | 3/8"-3/8"   |
| PL271PMT-8-6 | 1/2"-3/8"   |

**UNION TEE**

| Part No.   | Tube |
|------------|------|
| PL164PMT-4 | 1/4" |
| PL164PMT-6 | 3/8" |
| PL164PMT-8 | 1/2" |



**FACTORY ASSEMBLED AIR HOSE ASSEMBLIES**

**RUBBER AIR BRAKE HOSE ASSEMBLIES:**

- Single Swivel (160xx, 166xx, 163xx)
- Permanent Fittings
- Meets All SAE J1402 and
- DOT 106 Specifications
- TYPE B



**RUBBER AIR BRAKE HOSE ASSEMBLIES:**

- Both ends swivel. (164xx, 168xx)
- Minimum burst pressure of 900 PSI.
- Conforms to SAE J1402 specifications.
- Maximum operating pressure of 225 PSI.
- Operating temperature of -40°F to +200°F.

**3/8" HOSE, 1/4-18 NPTF FITTINGS**

- 16024** 24"
- 16030** 30"
- 16036** 36"
- 16048** 48"



**3/8" HOSE, 3/8-18 NPTF FITTINGS**

| Part No.     | Hose Size | Fitting Size |
|--------------|-----------|--------------|
| <b>16420</b> | 20"       | 3/8"         |
| <b>16424</b> | 24"       | 3/8"         |
| <b>16426</b> | 26"       | 3/8"         |
| <b>16428</b> | 28"       | 3/8"         |
| <b>16432</b> | 32"       | 3/8"         |
| <b>16436</b> | 36"       | 3/8"         |
| <b>16440</b> | 40"       | 3/8"         |
| <b>16444</b> | 44"       | 3/8"         |
| <b>16448</b> | 48"       | 3/8"         |
| <b>16466</b> | 66"       | 3/8"         |

**7/16" HOSE, 3/8-18 NPTF FITTINGS**

| Part No.     | Hose Size | Fitting Size |
|--------------|-----------|--------------|
| <b>16818</b> | 18"       | 7/16"        |
| <b>16824</b> | 24"       | 7/16"        |
| <b>16828</b> | 28"       | 7/16"        |
| <b>16830</b> | 30"       | 7/16"        |
| <b>16832</b> | 32"       | 7/16"        |
| <b>16836</b> | 36"       | 7/16"        |
| <b>16840</b> | 40"       | 7/16"        |
| <b>16842</b> | 42"       | 7/16"        |
| <b>16844</b> | 44"       | 7/16"        |
| <b>16848</b> | 48"       | 7/16"        |
| <b>16854</b> | 54"       | 7/16"        |
| <b>16860</b> | 60"       | 7/16"        |
| <b>16872</b> | 72"       | 7/16"        |

**3/8" HOSE, 3/8-18 NPTF FITTINGS**

|              |     |              |     |              |     |
|--------------|-----|--------------|-----|--------------|-----|
| <b>16614</b> | 14" | <b>16630</b> | 30" | <b>16644</b> | 44" |
| <b>16618</b> | 18" | <b>16632</b> | 32" | <b>16648</b> | 48" |
| <b>16620</b> | 20" | <b>16634</b> | 34" | <b>16654</b> | 54" |
| <b>16622</b> | 22" | <b>16636</b> | 36" | <b>16660</b> | 60" |
| <b>16624</b> | 24" | <b>16638</b> | 38" | <b>16672</b> | 72" |
| <b>16626</b> | 26" | <b>16640</b> | 40" | <b>16674</b> | 74" |
| <b>16628</b> | 28" | <b>16642</b> | 42" | <b>16684</b> | 84" |

**7/16" HOSE, 3/8-18 NPTF FITTINGS**

| HOSES | Part No.     | Length | Part No.     | Length |
|-------|--------------|--------|--------------|--------|
|       | <b>16330</b> | 30"    | <b>16344</b> | 44"    |
|       | <b>16318</b> | 18"    | <b>16332</b> | 32"    |
|       | <b>16320</b> | 20"    | <b>16334</b> | 34"    |
|       | <b>16322</b> | 22"    | <b>16336</b> | 36"    |
|       | <b>16324</b> | 24"    | <b>16338</b> | 38"    |
|       | <b>16326</b> | 26"    | <b>16340</b> | 40"    |
|       | <b>16328</b> | 28"    | <b>16342</b> | 42"    |
|       |              |        | <b>16346</b> | 46"    |
|       |              |        | <b>16348</b> | 48"    |
|       |              |        | <b>16354</b> | 54"    |
|       |              |        | <b>16360</b> | 60"    |
|       |              |        | <b>16372</b> | 72"    |
|       |              |        | <b>16384</b> | 84"    |

**HOSE SEPARATORS**

Keep hoses from rubbing together. Plastic composite

| Hose Size  | Part No.       |
|------------|----------------|
| 3/8" I. D. | <b>1010403</b> |
| 1/2" I. D. | <b>1010404</b> |



**Hose Rack Part No. 16000**



**HOSE SUPPORT SPRINGS**  
High tensile spring steel

| Part No.       | Length |
|----------------|--------|
| <b>11601</b>   | 12.38" |
| <b>11603</b>   | 15.42" |
| <b>1013423</b> | 25.09" |
| <b>1013425</b> | 12.75" |

**HOSE END ADAPTORS**

Changes NPTF end fitting sizes on hose assemblies.

| Hose I.D. | NPTF Size | Part No.        |
|-----------|-----------|-----------------|
| 3/8"      | 1/4"      | <b>N12306</b>   |
| 3/8"      | 3/8"      | <b>N12306G</b>  |
| 1/2"      | 3/8"      | <b>N12306AG</b> |

**BULK AIR BRAKE HOSE**

**Construction**



- Tube: Black EPDM
- Reinforcement: 2-Spiral Synthetic
- Cover: Black EPDM
- Temperature Range  
F & C: -40F to +200F (-40C to +93C)
- SAE Specifications: SAE J1402A
- DOT: FMVSS-106

**3/8" I. D. HOSE**

|          |                             |
|----------|-----------------------------|
| 250 feet | <b>Part No. 1014307-250</b> |
| 150 feet | <b>Part No. 1014307-150</b> |
| 50 feet  | <b>Part No. 1014307-50</b>  |
| 25 feet  | <b>Part No. 1014307-25</b>  |

**1/2" I.D. HOSE**

|          |                             |
|----------|-----------------------------|
| 250 feet | <b>Part No. 1014310-250</b> |
| 50 feet  | <b>Part No. 1014310-50</b>  |
| 25 feet  | <b>Part No. 1014310-25</b>  |



## TRUCK TO TRAILER AIR HOSES

### SLIDER HOSE ASSEMBLIES:

- Length measured from Hex to Hex.
- Comes with spring guards. DOT 106

#### Part No. BB7820-108

3/8" hose, 1/2" tubing. 108" long

#### Part No. BB8820-72

1/2" hose, 1/2" tubing. 160" long

#### Part No. SS7420-114

1/4" hose, 3/8" tubing. 114" long

#### Part No. SS7820-72

3/8" hose, 3/8" tubing. 72" long

#### Part No. SS7820-108

3/8" hose, 3/8" tubing. 108" long

#### Part No. SS7820-114

3/8" hose, 3/8" tubing. 114" long

#### Part No. SBH6609-117

3/8" hose, 3/8" bulk. 117" long

#### Part No. SBH6609-129

3/8" hose, 3/8" bulk. 129" long

#### Part No. SBH6809-117

1/2" hose, 3/8" bulk. 117" long

**TS TRAMEC SLOAN**



**TS TRAMEC SLOAN**

### Straight Rubber Air Lines

- Tractor end includes swivel fitting for easy installation and spring guard for strain relief.
- Large grips for easy coupling/uncoupling and hose support.
- Provides excellent abrasion resistance and resists cracking, kinking and weathering.

#### Part No. 11-8112

12' , Pair, black rubber 3/8" hose with red and blue (emergency and service) grips.

#### Part No. 11-8115

15' , Pair, black rubber 3/8" hose with red and blue (emergency and service) grips.

**PHILIPS**





## REUSABLE AIR BRAKE HOSE FITTINGS



**FITTING ASSEMBLY  
NPTF Male  
Less Guard Spring  
For 3/8" Hose**

1/4" NPTF **Part No. 11903**  
3/8" NPTF **Part No. 11904**  
1/2" NPTF **Part No. 11905**

**For 1/2" Hose**  
3/8" NPTF **Part No. 11804**  
1/2" NPTF **Part No. 11805**



**FITTING ASSEMBLY  
NPTF Male  
With Spring Guard  
For 3/8" Hose**

1/4" NPTF **Part No. 11900**  
3/8" NPTF **Part No. 11901**  
1/2" NPTF **Part No. 11902**

**For 1/2" Hose**  
3/8" NPTF **Part No. 11801**  
1/2" NPTF **Part No. 11802**



**NUT**  
For Fitting Without  
Spring - 3/8" Hose  
**Part No. 11906**



**BODY**  
For 3/8" Hose  
3/8" NPTF - **11908**



**FERRULE**  
3/8" Hose: **Part No. 11912**  
1/2" Hose: **Part No. 11812**



**UNION ASSEMBLY**  
For 3/8" Hose - **Part No. 11913**  
For 1/2" Hose - **Part No. 11813**

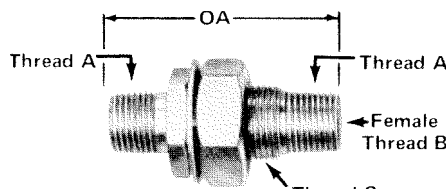
## AIR BRAKE HOSE END REPAIR KITS

### AIR BRAKE HOSE END FITTING KITS WITH SWIVEL

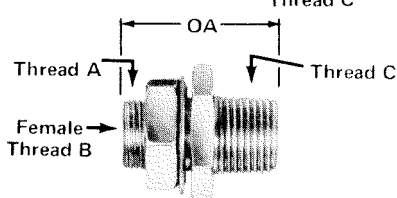
- 31402/31402 Contains 2 fittings to equip one hose.
- Meets the requirements of DOT 106 and SAE J1402.
- Each kit contains two corrosion resistant brass and nylon fittings with swivel ends.
- Part No. 31402** = 3/8" hose / 3/8" NPTF Fitting
- Part No. 31403** = 3/8" hose / 1/2" NPTF Fitting
- Part No. 31305** = 1/2" hose / 3/8" NPTF Fitting  
(Press Fit) Bulk packaging.



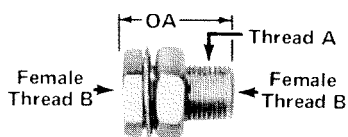
## FRAME NIPPLES / FRAME COUPLINGS



| Part No.     | A         | B         | C        | OAL    |
|--------------|-----------|-----------|----------|--------|
| <b>11300</b> | 1/2" NPTF | 1/4" NPTF | 1-14 UNS | 2-7/8" |



| Part No.       | A         | B         | C         | OAL      |
|----------------|-----------|-----------|-----------|----------|
| <b>N11171B</b> | 3/4-16 NF | 1/4" NPTF | 1/2" NPTF | 1-11/16" |
| <b>11315</b>   | 1-14 UNS  | 1/4" NPTF | 1/2" NPTF | 2-1/8"   |
| <b>11304</b>   | 1-14 UNS  | 3/8" NPTF | 1/2" NPTF | 1-5/8"   |



| Part No.     | A         | B         | OAL    |
|--------------|-----------|-----------|--------|
| <b>11306</b> | 3/4-16 NF | 1/4" NPTF | 1-3/8" |
| <b>11307</b> | 1-14 UNC  | 3/8" NPTF | 1-3/8" |



### Frame Coupling with nylon tube fitting **Part No. S608**

1/2" OD Tube x 3/8" NPTF,  
1-15/16" Overall length.



### Frame Coupling with nylon tube fitting - **Part No. S609**

3/8" OD Tube x 3/8" NPTF,  
1-15/16" Overall length.





## GLADHANDS

### Phillips Anodized Gladhands

For use on aircoil, tractor and trailer 1/2" pipe port.

**Part No. 12-006** Service

**Part No. 12-008** Emergency

**Part No. 12-010** Universal



### Qwik-E®

#### Pressure-Relieving Gladhand

The first quick release valve and gladhand in one.

Replaces the service gladhand at the nose of the trailer. 1/2" NPTF.

**Part No. 12-206**



# PHILIPS

### IRON GLADHAND

Lifetime iron body will not crack or break.

One piece construction.

Meets all applicable requirements of SAE J318.

1/2" NPTF port. Poly seals.

**Part No.FC35031** Universal

**Part No.FC35032** Emergency

**Part No.FC35033** Service



### STANDARD GLADHANDS

Aluminum with steel face.

1/2"-14 NPTF port.

**Part No.**

**1011450** Universal

**1011451** Emergency

**1011452** Service



### Latch-It™ Gladhands

Helps prevent accidental gladhand disconnections. Chrome plated latch. Stainless steel spring. 1/2" pipe port.

**Part No. 12-1169** Service

**Part No. 12-1189** Emergency

# PHILIPS



### CAST IRON BODY GLADHAND

Zinc plated with yellow dichromate. 2 mounting holes 3/4" diameter. Stainless steel return spring.

**Part No.36131** Service

**Part No.36132** Emergency

### Haldex Gladhands (with lid)

Aluminum body, steel face.

Internal filter. Heavy duty. 1/2". With Dust cover to keep out debris. Color coded lid.

**Part No. 11489** Emergency

**Part No. 11490** Service



# Haldex

### Haldex Gladhands

Aluminum body, steel face.

Internal filter. Heavy duty. 1/2"

**Part No. 11451M** Emergency

**Part No. 11452M** Service



## GLADHANDS - BRACKET MOUNT

### 40° ANGLE BRACKET MOUNT GLADHANDS

Available in both 3/8" and 1/2" port sizes Polarized and color coded in emergency and service configurations.

Includes full face style gladhand seal.

#### 3/8" Ports

**PART No.**

**11440** Service

**11441** Emergency

#### 1/2" Ports

**PART No.**

**11444** Service

**11445** Emergency

# Haldex



### 38° Corrosion resistant gladhands

Bottom port, anodized, female piped thread. Trailer mount.

**Part No. 12-13623** Service

**Part No. 12-13823** Emergency

# PHILIPS



### Angle Surface -Mount 38°

Interchangeable with any angle gladhand. 3/8" ports.

**Part No. 12-136** Service

**Part No. 12-138** Emergency

# PHILIPS



### 37° BRACKET MOUNT FILTERED ALUMINUM GLADHAND

Pipe plug in one 3/8" port.

**Part No. 1011440** Service

**Part No. 1011441** Emergency



3/8"-18 NPTF

3/8"-18 NPTF plugged.

### Angle Surface -Mount

#### Qwik-E®

Interchangeable with any angle gladhand. 3/8" ports.

**Part No. 12-236**

# PHILIPS





## GLADHANDS - SHUT-OFF

### SHUT-OFF GLADHANDS

Impregnated aluminum body. Includes 1"-14 mounting stud with 1/2" nylon tubing compression fitting. Emergency gladhand has 1/4" NPTF port for pintle hook.  
**Service: Part No. 1010120**  
**Emergency: Part No. 1010121**

### SHUT-OFF GLADHANDS

For 3/8" nylon tubing. 1"-14 mounting stud. Plated aluminum body and handle.  
**Part No. 36153** Service  
**Part No. 36253** Emergency



### SHUT-OFF GLADHANDS

Aluminum gladhands, 3/8" NPTF port. Emergency gladhand has 1/4" NPTF port for pintle hook. Brass shut-off valve.  
**Part No. 441004** Service  
**Part No. 441014** Emergency



## GLADHANDS - SWING AWAY

### SWING-AWAY GLADHANDS

**Part No. 441102** Service.  
**Part No. 441103** Emergency.  
 Low projection profile from trailer skin. Stainless steel torsion spring. 45° swivel designed elbow permits optional air line entry from either bottom or back port. Gladhand cover prevents air system contamination. 3/8" bottom and back ports. Includes polyurethane seal.



### SWING-AWAY GLADHANDS

#### STA-LOCK™- Cast Iron Swinger Gladhand

**Part No. 12-4906** Service. 90°  
**Part No. 12-4908** Emergency. 90°

- Swivels 180° without kinking air line.
- Female pipe thread bottom.
- Stainless steel ball-bearing provides a positive lock.
- When not in use, it is automatically returned to seal.



**PHILIPS**

### SWING-AWAY GLADHANDS

#### Swinger Gladhand - Female pipe thread bottom.

**Part No. 12-4506** Service. 45°  
**Part No. 12-4508** Emergency. 45°

- Swivels 180° without kinking air line. Anodized
- Stainless steel ball-bearing provides a positive lock.
- When not in use, it is automatically returned to seal.



### SWING-AWAY GLADHANDS

#### - Cast Iron

**Part No. 441169** Service.  
**Part No. 441170** Emergency.

- Eliminates the need for a dummy coupler.
- Decreases plumbing hardware and speeds installation time.
- Shut-off valve prevents contaminants from entering system.



### SWIVEL MOUNT GLADHAND

Aluminum 90° swivel mount gladhand with stainless wear pad. Stainless steel spring. Steel mounting bracket. Universal gladhand Interchange number 36390.

**Part No. 700-17-463**



**PHILIPS**

## GLADHAND SEALS

### GLADHAND SEALS - Polyurethane

For extended service

| Part No. | Color           |
|----------|-----------------|
| 1010031  | Red (Emergency) |
| 1010030  | Blue (Service)  |
| 1010032  | Black           |

Kit with one red and one blue =  
**Part No. 12-0164**



### GLADHAND SEALS

Neoprene, black, full face.

**Part No. 1010028**  
 Neoprene, black, Compression type.  
**Part No. 1010029**

### PROTECT-O SEAL

Helps prevent contamination of the air system  
**Part No. 1010024**



### GLADHAND FILTER

Air system protection (Screen)

**Part No. 1010035**



### GLADHAND SEAL WITH SCREEN

**Part No. 101117B** Blue  
**Part No. 101117R** Red





# GLADHAND POGOSTICKS AND MORE

### GLADHAND LOCK

Hardened Plastic Body  
available with various key numbers:  
(141, 147, 150, 156, 157)

10 per Box

**Part No. 1011455-key number**



### GLADHAND GRIPS

Machined steel core saves  
broken air lines at the gladhand.

Part number represents  
one color-coded pair.

**Gladhands not included.**

**Part No. 1010033**



### GLADHAND GRIPS

Provides strong leverage for  
coupling/uncoupling gladhands.

One -piece body for easy  
installation. Durable and  
strong; made from solid T6  
aircraft aluminum.

Corrosion-resistant  
anodized color coating.

Installs between aircoil  
and gladhand

**Part No. 12-600**



### STOW-AWAY™ GLADHAND HOLDER

Safe, easy storage for coiled electrical cables,  
liftgate cables and coiled air lines when not in use.

Corrosion resistant and extremely durable.

Reachable from the ground. Angled for easy use.

**Part No. 15-041** - One plug / Two gladhand holder.

**Part No. 15-042** - Two plug / Two gladhand holder.

**Part No. 15-041**

**Part No. 15-042**



### GLADHAND BRACKETS

For use on pogo

**Part No. 1011403**



**Part No. 1011402**

"Dummy" Holder

w/chain, non-vented

### DUMMY GLADHAND

Universal gladhand with  
reinforced cable attached to  
aluminum handle. Used on  
rear of pups. Seals air  
system from foreign matter.

**Part No. 11400**



### Gladhand Pacifier - Part No. 441721

- Keeps airlines and exposed gladhands  
free from dirt, insects and moisture.
- 2-piece nylon strap keeps pacifier handy when  
the airline system is connected or disconnected.
- Can be used on any gladhands.

### Tracker Bar Kit

48" bar and 20" spring.  
Includes: 3-hose holder,  
clip, sleeve.

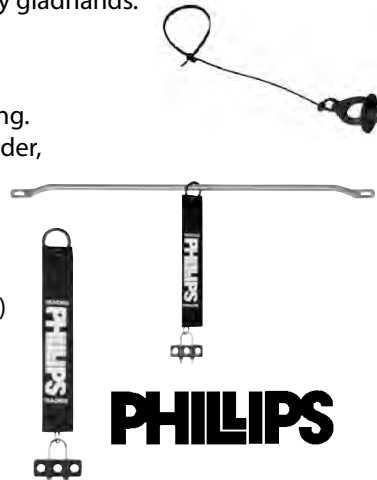
**Part No. 17-149**

**Part No. 17-148**

20" spring. (Less Bar)  
Includes 3-hose  
holder,clip, sleeve.

**Part No. 17-160**

Snap on clip only



### GLADHAND ELBOW-

**Aluminum** Mounting holes  
2.16" on centers, 3/8" ports.

**Part No. 11312**



### 40" POGO STICK

**Yellow Dichromate**  
with Straps & Holders

**Part No. 1013543**

**Same as above,  
in chrome.**

**Part No. 1013544**

### 40" POGO STICK

Zinc plated with  
yellow dichromate.  
Swivels at base.  
7/16"-20 stud.

**Part No. 1013418**



### HOSE CLAMPS

3 hole hose clamp  
For 3/8" and 1/2"  
I.D. hoses.

**Part No. 11546**



2 hole, single eyebolt  
clamp, for 3/8" hose

**Part No. 1011541**



### SUPPORT CLAMPS

**For 3/8" I. D. Hose**

Impact plastic.

Can be used for coiled  
nylon or rubber hose.  
Complete with U-bolt

**Part No.1011544**

**Part No.1011543**



### HOSE HOLDER

For three hoses

**Part No. 17-157**



### Qwik Snap™ HOLDER

For three hoses

**Part No. 17-153**







## AIR BRAKE TUBING

| Size  | Color  | Part Number            |
|-------|--------|------------------------|
| 1/8"  | Black  | <b>1610002-100</b>     |
| 1/4"  | Black  | <b>1610004-100</b>     |
| 1/4"  | Black  | <b>1610004-1000</b>    |
| 1/4"  | Green  | <b>1610004G-100</b>    |
| 1/4"  | Red    | <b>1610004R-100</b>    |
| 1/4"  | Yellow | <b>1610004Y-100</b>    |
| 5/16" | Black  | <b>1610005-100</b>     |
| 3/8"  | Black  | <b>1610006-100</b>     |
| 3/8"  | Black  | <b>1610006-500</b>     |
| 3/8"  | Blue   | <b>1610006BLUE-100</b> |
| 3/8"  | Blue   | <b>1610006BLUE-500</b> |
| 3/8"  | Green  | <b>1610006G-100</b>    |
| 3/8"  | Green  | <b>1610006G-500</b>    |
| 3/8"  | Red    | <b>1610006R-100</b>    |
| 3/8"  | Red    | <b>1610006R-500</b>    |
| 3/8"  | Yellow | <b>1610006Y-100</b>    |
| 3/8"  | Yellow | <b>1610006Y-500</b>    |
| 1/2"  | Black  | <b>1610008-100</b>     |
| 1/2"  | Black  | <b>1610008-500</b>     |
| 1/2"  | Blue   | <b>1610008BLUE-100</b> |
| 1/2"  | Blue   | <b>1610008BLUE-500</b> |
| 1/2"  | Red    | <b>1610008R-100</b>    |
| 1/2"  | Red    | <b>1610008R-500</b>    |
| 5/8"  | Black  | <b>1610010-50</b>      |
| 3/4"  | Black  | <b>1610012-50</b>      |
| 5/32" | Black  | <b>161005/32-100</b>   |

### Type A D.O.T. Air Brake Tubing

Heat and light stabilized single wall extruded type 11 nylon tubing available in sizes 1/8", 1/4" and 5/16".

This tubing conforms to SAE specification J844 Type A.

The A refers to non-reinforced tubing.

•Sold in 100' and 1000' lengths.

### PFT Type B Nylon Tubing

Heat and light stabilized seamless extruded nylon 11 core reinforced with one open ply of fibrous reinforcement and a protective nylon 11 cover sheath.

The outer cover and core are fused to minimize leakage and maximize impact resistance.

This tubing conforms to SAE J844 Type B.

The B refers to reinforced tubing.

Maximum working pressure 150 PSI.

•Sold in 50', 100', and 500' lengths.



**Vinyl Coated  
Tubing Clamps**  
(9/32" mounting hole)

| I. D. | Part No.       |
|-------|----------------|
| 1/4"  | <b>1011120</b> |
| 3/8"  | <b>1011122</b> |
| 1/2"  | <b>1011123</b> |
| 5/8"  | <b>1011124</b> |
| 3/4"  | <b>1011125</b> |
| 1"    | <b>1011126</b> |





**COILED AIR LINES**

Power Grip™ gladhand extension provide superior coupling and uncoupling leverage. Includes thread seal for secure connection. Single piece trailer side and three piece swivel tractor side fittings. Meets SAE J844 and J1131 specs. Remains flexible at -40°.



**PHILLIPS POWER GRIP™**

| PART Number    | DESCRIPTION   | Tube O.D. | Valve Tail Length | Coil Ends Valve | Gladhand | Working Length |
|----------------|---|-----------|-------------------|-----------------|----------|----------------|
| <b>11-3150</b> | 15' Pair<br><i>(1 Red, 1 Blue)</i>                              | 1/2"      | 12"               | 1/2             | 1/2      | 15'            |
| <b>11-3170</b> | Red Only  | 1/2"      | 12"               | 1/2             | 1/2      | 15'            |
| <b>11-3180</b> | Blue Only   | 1/2"      | 12"               | 1/2             | 1/2      | 15'            |
| <b>11-3400</b> | 15' Pair with 40"<br><i>(1 Red, 1 Blue)</i> lead and coil guard | 1/2"      | 40"               | 1/2             | 1/2      | 15'            |
| <b>11-3380</b> | Red Only  | 1/2"      | 40"               | 1/2             | 1/2      | 15'            |
| <b>11-3390</b> | Blue Only   | 1/2"      | 40"               | 1/2             | 1/2      | 15'            |

**PHILIPS**

Remains flexible at temperatures to -85°. Jacketing prevents fractures and provides durable rubber feel.



**PHILLIPS POLAR AIR® (For Extreme Conditions)**

| PART Number    | DESCRIPTION                                      | Tube O.D. | Valve Tail Length | Coil Ends Valve | Gladhand | Working Length |
|----------------|--|-----------|-------------------|-----------------|----------|----------------|
| <b>11-5400</b> | 15' Pair with 40"<br><i>(1 Red, 1 Blue)</i> lead | 1/2"      | 40"               | 1/2             | 1/2      | 15'            |
| <b>11-5401</b> | Red Only   | 1/2"      | 40"               | 1/2             | 1/2      | 15'            |
| <b>11-5402</b> | Blue Only  | 1/2"      | 40"               | 1/2             | 1/2      | 15'            |

Extra Heavy Duty Service: Meets DOT FMVSS 106 Regulations



Temperature range: -70° F to +200° F.

S1-400 air lines are "standard" and have a 1 year warranty. S3-600 air lines are "Stallion Flex" and have a 3 year warranty.

**PHILATRON STALLION®**

| Part Number           | DESCRIPTION          | TUBE O.D. | Valve Tail Length | Coil Ends Valve | Gladhand | Working Length |
|-----------------------|----------------------|-----------|-------------------|-----------------|----------|----------------|
| <b>S1-400-15CBR</b>   | 15' Red & Blue Coils | 1/2"      | 10"               | 1/2             | 1/2      | 15'            |
| <b>S1-400-15CB</b>    | 15' Blue Only        | 1/2"      | 10"               | 1/2             | 1/2      | 15'            |
| <b>S1-400-15CR</b>    | 15' Red Only         | 1/2"      | 10"               | 1/2             | 1/2      | 15'            |
| <b>S3-600-15CBR</b>   | 15' Red & Blue Coils | 1/2"      | 10"               | 1/2             | 1/2      | 15'            |
| <b>S3-600-15CB</b>    | 15' Blue Only        | 1/2"      | 10"               | 1/2             | 1/2      | 15'            |
| <b>S3-600-15CR</b>    | 15' Red Only         | 1/2"      | 10"               | 1/2             | 1/2      | 15'            |
| <b>S3-600-1540CBR</b> | 15' Red & Blue Coils | 1/2"      | 40"               | 1/2             | 1/2      | 15'            |
| <b>S3-600-1540CB</b>  | 15' Blue Only        | 1/2"      | 40"               | 1/2             | 1/2      | 15'            |
| <b>S3-600-1540CR</b>  | 15' Red Only         | 1/2"      | 40"               | 1/2             | 1/2      | 15'            |

Working Pressure to 150 PSI

Conforms to SAE J844

No pogo sticks or spring hangers required. Temperature range: -40° F to +200° F.



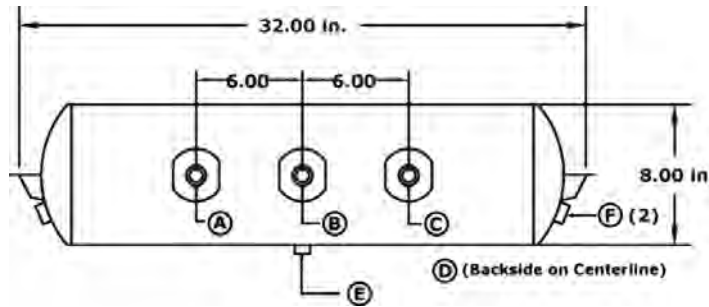
**TRACTOR TO TRAILER COILED AIR BRAKE CONNECTIONS**

| Kit Number     | Individual Coil Number                        | Tube O.D. | Valve Tail Length | Coil Ends Valve | Gladhand | Working Length |
|----------------|---|-----------|-------------------|-----------------|----------|----------------|
| <b>7100100</b> | <b>7100101 RED</b><br><i>(1 Red, 1 Blue)</i>  | 1/2"      | 12"               | 1/2             | 1/2      | 15'            |
| <b>7100110</b> | <b>7100111 RED</b><br><i>(1 Red, 1 Blue)</i>  | 1/2"      | 1-40"             | 1/2             | 1/2      | 15'            |
| <b>7100120</b> | <b>7100121 RED</b><br><i>(1 Red, 1 Blue)</i>  | 1/2"      | 6"                | 1/2             | 1/2      | 12'            |
| <b>7100200</b> | <b>7100122 BLUE</b><br><i>(1 Red, 1 Blue)</i> | 1/2"      | 12"               | 1/2             | 1/2      | 15'            |
| <b>7100210</b> | <b>7100122 BLUE</b><br><i>(1 Red, 1 Blue)</i> | 1/2"      | 1-40"<br>1-12"    | 1/2             | 1/2      | 15'            |



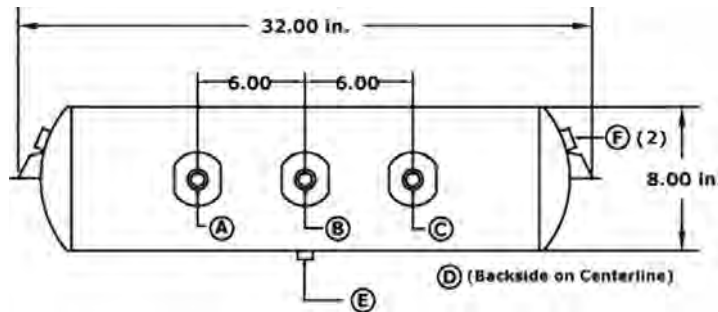
## AIR TANKS - 8" DIAMETER

At Hoosier Tank, all air tanks are made to SAE J10 and FMVSS 121 specifications. Their stamping capabilities are the result of operating variable speed presses with servo feed equipment. To ensure air tank durability, Hoosier Tank's in-house powder coating process includes three stages of pretreatment for 500 hours salt spray resistance. Air Tanks listed by diameter size. 8", 9.5", 12"



### 8" Diameter Air Tanks

| Part No.          | Main Port A | Main Port B | Main Port C | Main Port D    | Drain Port E | Drain Port F |
|-------------------|-------------|-------------|-------------|----------------|--------------|--------------|
| 1010334 (HT-8000) |             | 3/4"        |             | plug this port | 1/4"         | 3/8"         |
| 1010334 (HT-8052) |             | 3/4"        |             | 3/4"           | 1/4"         | 3/8"         |

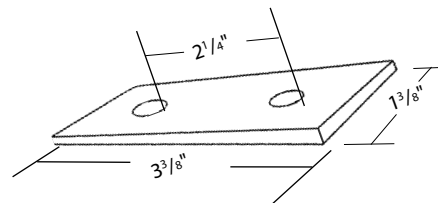


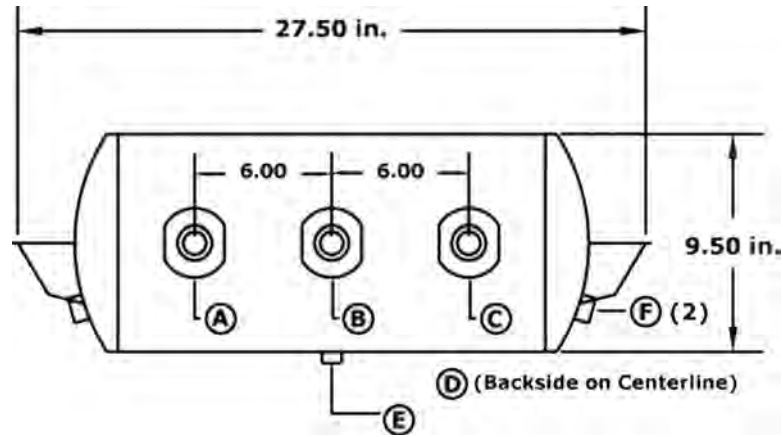
### 8" Diameter Air Tanks

| Part No.          | Main Port A | Main Port B | Main Port C | Main Port D | Drain Port E | Drain Port F |
|-------------------|-------------|-------------|-------------|-------------|--------------|--------------|
| 1010328 (HT-8001) |             | 3/4"        |             |             | 1/4"         | 3/8"         |
| 1010340 (HT-8007) |             | 3/4"        |             | 3/4"        | 1/4"         | 3/8"         |
| 1010327 (HT-8016) |             | 1/2"        |             | 1/2"        | 1/4"         | 3/8"         |
| 1010347 (HT-8022) | 3/4"        |             | 3/4"        |             | 1/4"         | 3/8"         |
| 1010348 (HT-8037) | 3/4"        |             | 3/4"        | 3/4"        | 1/4"         | 3/8"         |

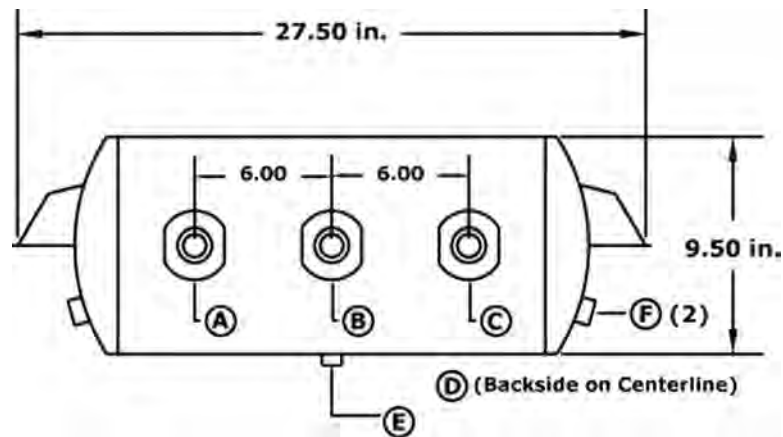
### MOUNTING PAD FOR AIR TANKS

3/16" thick rubber.  
 1-1/8" wide, 3-3/8" long, 3/8" holes on 2-1/4" centers.  
 Two required per tank. **Part No. HT-1068**



**AIR TANKS - 9.5" DIAMETER****9.5" Diameter Air Tanks**

| Part No.           | Main Port A | Main Port B | Main Port C | Main Port D | Drain Port E | Drain Port F |
|--------------------|-------------|-------------|-------------|-------------|--------------|--------------|
| 1010344 (HT-9500)  |             | 3/4"        |             |             | 1/4"         | 3/8"         |
| N9508-AA (HT-9508) |             | 3/4"        |             | 3/4"        | 1/4"         | 3/8"         |
| 1010356 (HT-9515)  |             | 1/2"        |             | 1/2"        | 1/4"         | 3/8"         |

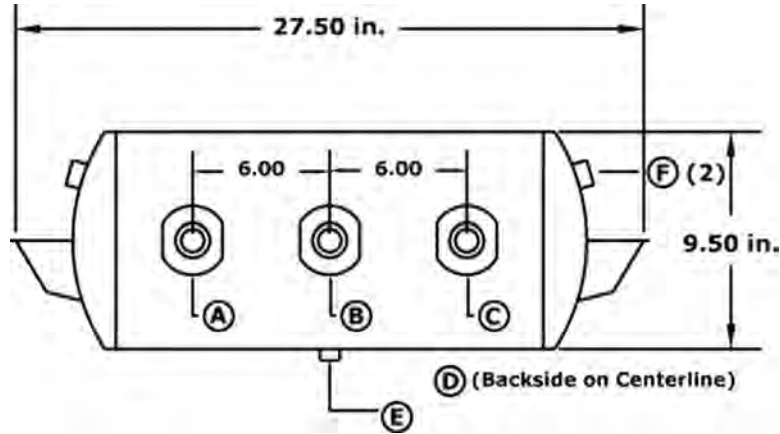
**9.5" Diameter Air Tanks**

| Part No.          | Main Port A | Main Port B | Main Port C | Main Port D | Drain Port E | Drain Port F |
|-------------------|-------------|-------------|-------------|-------------|--------------|--------------|
| 1010337 (HT-9507) | 3/4"        |             | 3/4"        |             | 1/4"         | 3/8"         |
| 1010336 (HT-9534) |             | 3/4"        |             | 3/4"        | 1/4"         | 3/8"         |



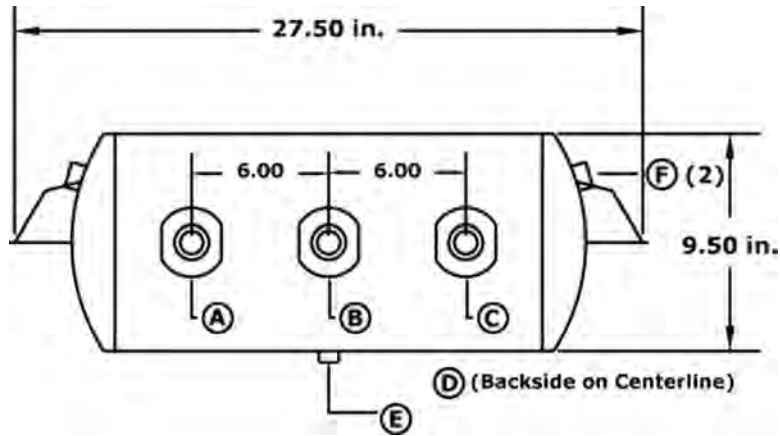


**AIR TANKS - 9.5" DIAMETER**



**9.5" Diameter Air Tanks**

| Part No.          | Main Port A | Main Port B | Main Port C | Main Port D | Drain Port E | Drain Port F |
|-------------------|-------------|-------------|-------------|-------------|--------------|--------------|
| 1010342 (HT-9506) |             | 1/2"        |             | 1/2"        | 1/4"         | 1/2"         |
| 1010330 (HT-9575) |             | 1/2"        |             | 1/2"        | 1/4"         | 3/8"         |



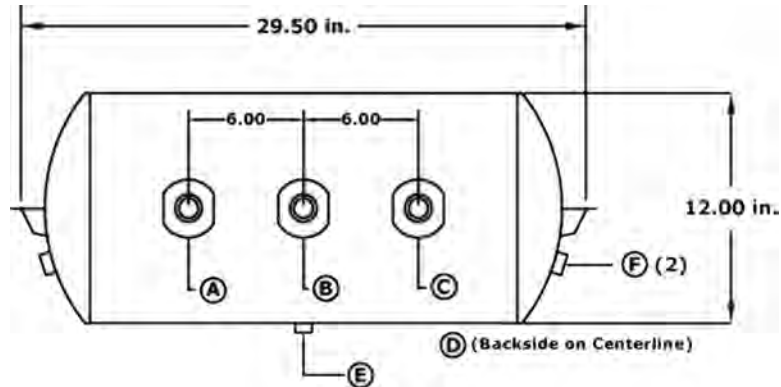
**9.5" Diameter Air Tanks**

| Part No.           | Main Port A | Main Port B | Main Port C | Main Port D | Drain Port E | Drain Port F |
|--------------------|-------------|-------------|-------------|-------------|--------------|--------------|
| 1010351 (HT-9510)  |             | 3/4"        |             |             | 1/4"         | 1/2"         |
| 1010350 (HT-95162) | 3/4"        |             | 3/4"        | 3/4"        | 1/4"         | 3/8"         |
| 1010341 (HT-9531)  |             | 3/4"        |             | 1/2"        | 1/4"         | 1/2"         |
| 1010346 (HT-9547)  |             | 3/4"        |             | 3/4"        | 1/4"         | 1/2"         |



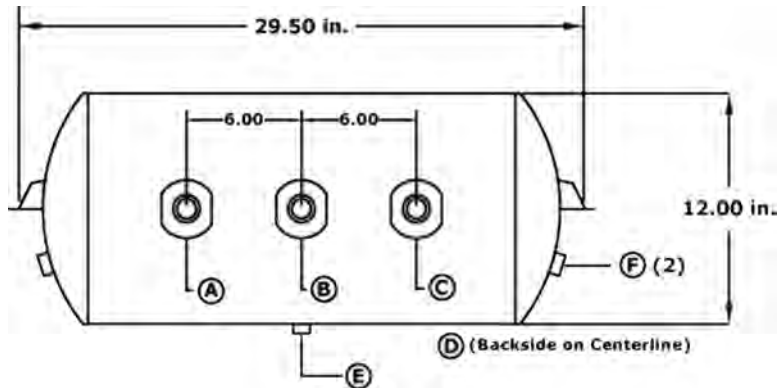


**AIR TANKS - 12" DIAMETER**



**12" Diameter Air Tanks**

| Part No.                             | Main Port A | Main Port B | Main Port C | Main Port D | Drain Port E | Drain Port F |
|--------------------------------------|-------------|-------------|-------------|-------------|--------------|--------------|
| <b>1010329 (HT-1205)</b>             |             | 3/4"        |             | 3/4"        | 1/4"         | 3/8"         |
| <b>1010332 (HT-1219)</b>             | 3/4"        |             | 3/4"        | 3/4"        | 1/4"         | 3/8"         |
| (1010324 has 30.50" mounting length) |             |             |             |             |              |              |
| <b>1010324 (HT-12106)</b>            | 3/4"        |             | 3/4"        | 3/4"        | 1/4"         | 3/8"         |
| (1010353 has 32.00" mounting length) |             |             |             |             |              |              |
| <b>1010353 (HT-1269)</b>             |             | 1/2"        |             | 1/2"        | 1/4"         | 3/8"         |
| (1010354 has 27.50" mounting length) |             |             |             |             |              |              |
| <b>1010354 (HT-12107)</b>            | 3/4"        |             | 3/4"        | 3/4"        | 1/4"         | 3/8"         |

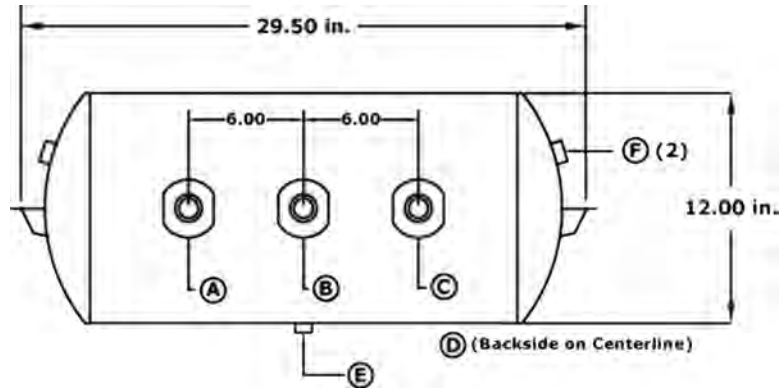


**12" Diameter Air Tanks**

| Part No.                  | Main Port A | Main Port B | Main Port C | Main Port D | Drain Port E | Drain Port F |
|---------------------------|-------------|-------------|-------------|-------------|--------------|--------------|
| <b>1010339 (HT-12100)</b> |             | 3/4"        |             | 1/2"        | 1/4"         | 3/8"         |
| <b>1010338 (HT-1211)</b>  |             | 3/4"        |             |             | 1/4"         | 3/8"         |
| <b>1010345 (HT-1235)</b>  |             | 3/4"        |             | 3/4"        | 1/4"         | 1/2"         |
| <b>1010325 (HT-1249)</b>  |             | 3/4"        |             | 3/4"        | 1/4"         | 3/8"         |
| <b>1010326 (HT-1277)</b>  |             |             | 3/4"        | 3/4"        | 1/4"         | 3/8"         |

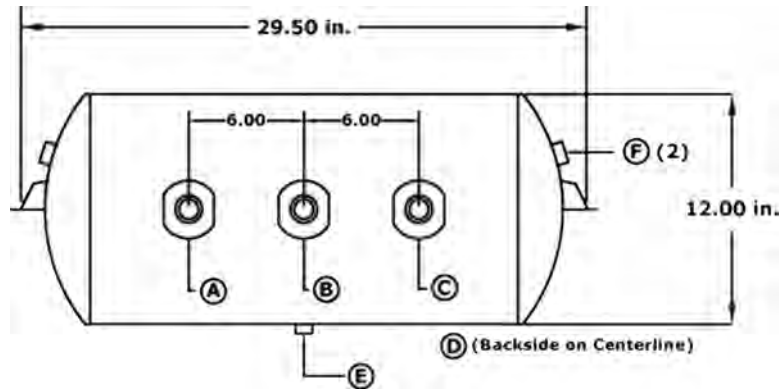


**AIR TANKS - 12" DIAMETER**



**12" Diameter Air Tanks**

| Part No.          | Main Port A | Main Port B | Main Port C | Main Port D | Drain Port E | Drain Port F |
|-------------------|-------------|-------------|-------------|-------------|--------------|--------------|
| 1010331 (HT-1273) |             | 1/2"        |             | 1/2"        | 1/4"         | 3/8"         |



**12" Diameter Air Tanks**

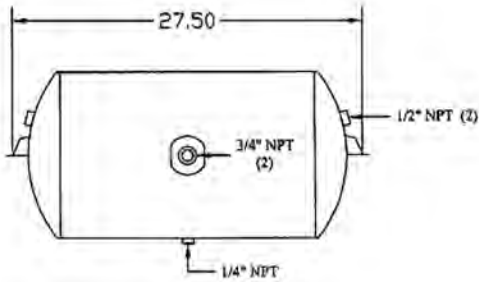
| Part No.          | Main Port A | Main Port B | Main Port C | Main Port D | Drain Port E | Drain Port F |
|-------------------|-------------|-------------|-------------|-------------|--------------|--------------|
| 1010335 (HT-1217) |             | 3/4"        |             | 3/4"        | 1/4"         | 3/8"         |
| 1010352 (HT-1254) | 3/4"        |             | 3/4"        | 3/4"        | 1/4"         | 3/8"         |



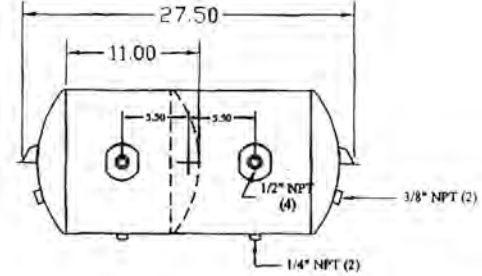


**AIR TANKS - SPECIAL APPLICATIONS**

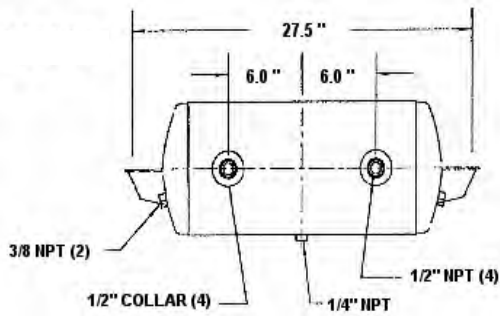
**13" Diameter Air Tanks**  
3,000 cubic inches  
**Part No. 1010333 (HT-1301)**



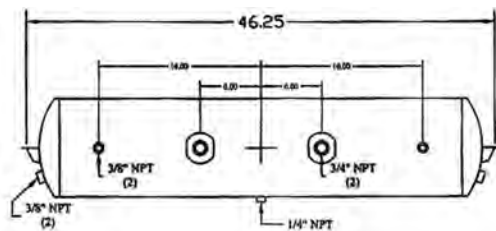
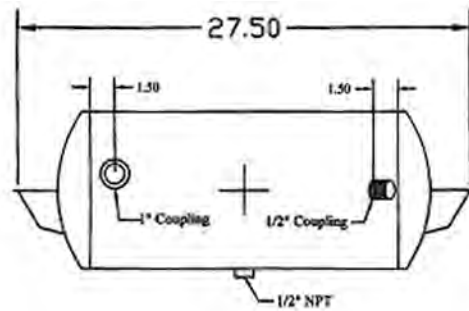
**12" Diameter Air Tank**  
Dual Compartment  
**Part No. 1010355 (HT-12142)**



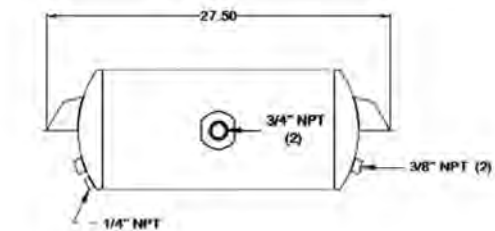
**9.50" Diameter Air Tank**  
1488 cubic inches  
**Part No. 1010357 (HT-95256)**  
**Trailmobile No. 700-17-449**



**9.50" Diameter Air Tank**  
Hydraulic Reservoir  
**Part No. 1010343 (HT-95102)**



**9.50" Diameter Air Tank**  
2862 cubic inches  
46.25" WIDE  
**Part No. 1010358 (HT-9597)**



**9.50" Diameter Air Tank**  
1/4" drain on one end with  
3/8" end ports on each end  
**Part No. 1010349 (HT-95188)**

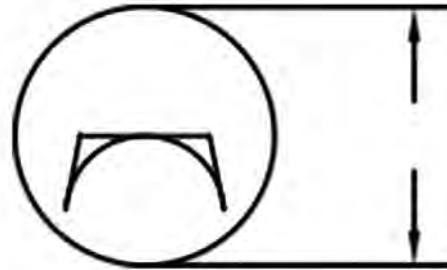




## AIR TANKS - QUICK REFERENCE - BRACKET LAYOUT

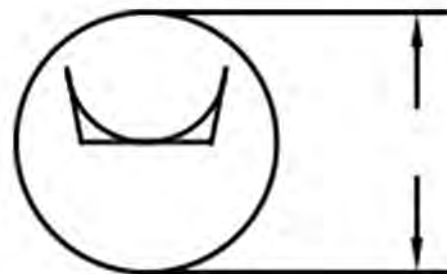
### Part No.

|                 |                 |
|-----------------|-----------------|
| <b>1010334</b>  | <b>HT-8000</b>  |
| <b>1010344</b>  | <b>HT-9500</b>  |
| <b>N9508-AA</b> | <b>HT-9508</b>  |
| <b>1010356</b>  | <b>HT-9515</b>  |
| <b>1010342</b>  | <b>HT-9506</b>  |
| <b>1010330</b>  | <b>HT-9575</b>  |
| <b>1010329</b>  | <b>HT-1205</b>  |
| <b>1010332</b>  | <b>HT-1219</b>  |
| <b>1010324</b>  | <b>HT-12106</b> |
| <b>1010353</b>  | <b>HT-1269</b>  |
| <b>1010354</b>  | <b>HT-12107</b> |
| <b>1010331</b>  | <b>HT-1273</b>  |
| <b>1010357</b>  | <b>HT-95256</b> |
| <b>1010343</b>  | <b>HT-95102</b> |
| <b>1010358</b>  | <b>HT-9597</b>  |



### Part No.

|                |                 |
|----------------|-----------------|
| <b>1010328</b> | <b>HT-8001</b>  |
| <b>1010340</b> | <b>HT-8007</b>  |
| <b>1010327</b> | <b>HT-8016</b>  |
| <b>1010347</b> | <b>HT-8022</b>  |
| <b>1010348</b> | <b>HT-8037</b>  |
| <b>1010337</b> | <b>HT-9507</b>  |
| <b>1010336</b> | <b>HT-9534</b>  |
| <b>1010351</b> | <b>HT-9510</b>  |
| <b>1010350</b> | <b>HT-95162</b> |
| <b>1010341</b> | <b>HT-9531</b>  |
| <b>1010346</b> | <b>HT-9547</b>  |
| <b>1010339</b> | <b>HT-12100</b> |
| <b>1010338</b> | <b>HT-1211</b>  |
| <b>1010345</b> | <b>HT-1235</b>  |
| <b>1010325</b> | <b>HT-1249</b>  |
| <b>1010326</b> | <b>HT-1277</b>  |
| <b>1010335</b> | <b>HT-1217</b>  |
| <b>1010352</b> | <b>HT-1254</b>  |
| <b>1010333</b> | <b>HT-1301</b>  |
| <b>1010355</b> | <b>HT-12142</b> |
| <b>1010349</b> | <b>HT-95188</b> |





# RADIATOR & HEATER HOSE

## Standard Straight Radiator Hose - Black Cover

Application: Designed for common coolants and straight coolant connections. Temp range -40° to 260°F

Tube: Black EPDM

Reinforcement: 4-ply synthetic

Cover: Black EPDM wrapped finish

Meets or exceeds SAE J20R1, D1 specifications.



### Standard Hose - 3 Foot Lengths

| Size   | Part No. | Size   | Part No. |
|--------|----------|--------|----------|
| 1"     | CE56016  | 2"     | CE56032  |
| 1-1/4" | CE56020  | 2-1/4" | CE56036  |
| 1-1/2" | CE56024  | 2-1/2" | CE56040  |
| 1-5/8" | CE56026  | 2-3/4" | CE56044  |
| 1-3/4" | CE56028  | 3"     | CE56048  |
|        |          | 3-1/2" | CE56056  |



## Blue Xtreme Straight Radiator Hose

Application: Designed for heavy-duty and fleet service on trucks, buses and off-road equipment.

Designed for common coolants and straight radiator connections where higher heat resistance and longer life are desired. Temperature range: -40° to 300°F.

Tube: Black EDPM

Reinforcement: 2-ply aramid

Cover: Blue EDPM Wrapped Finish

Meets or exceeds SAE J20R1, D1 standard wall.

### Blue Xtreme Straight Radiator Hose - 3 Foot Lengths

| Size   | Part No. | Size   | Part No. |
|--------|----------|--------|----------|
| 1"     | CE57216  | 2-1/4" | CE57236  |
| 1-1/4" | CE57220  | 2-3/8" | CE57238  |
| 1-1/2" | CE57224  | 2-1/2" | CE57240  |
| 1-3/4" | CE57228  | 2-3/4" | CE57244  |
| 2"     | CE57232  | 3"     | CE57248  |



With more than a century of research and proven best-in-class technology behind us, **The Elite® series by Continental** is made for exceptional performance every time.

## Blue Heater Hose with Xtreme Technology

Designed for heater hose applications that are exposed to higher underhood temperatures and require a higher heat resistance.

Temperature range: -40° to 300°F.

Tube: Black EDPM

Reinforcement: 2-ply aramid

Cover: Blue EDPM

SAE Specifications: SAE J20R3, Class D3 HT EC.



### Blue Heater Hose - 50 Foot Lengths

| I.D. | Part No. |
|------|----------|
| 3/8" | CE65028  |
| 1/2" | CE65029  |
| 5/8" | CE65031  |
| 3/4" | CE65033  |
| 1"   | CE65035  |



## Premium Red Heater Hose

A replacement for OE hose . The high quality hose is similar to SAE20R3 Class D2, SAE J2387 for higher underhood temperatures. Withstands the abuse of corrosive solutions and additives. Resists weathering to provide a long, trouble-free service life.

Temperature range: -40° to 257°F.

Tube: EDPM

Reinforcement: 2 spiral polyester

Cover: EDPM, Red

SAE Specifications: SAE20R3, Class D2 SAE J2387.



### Premium Red Heater Hose - 50 Foot Lengths (Sold Each)

| I.D. | Part No. |
|------|----------|
| 1/2" | 1835     |
| 5/8" | 1836     |
| 3/4" | 1837     |



## Standard Black Heater Hose

Standard grade for normal duty service.

Temperature range: -40° to 212°F. (Not for steam use)

Tube: EDPM

Reinforcement: 2 spiral polyester

Cover: EDPM

SAE Specifications: SAE20R3.



### Standard Black Heater Hose - 50 Foot Lengths (Sold Each)

| I.D. | Part No. |
|------|----------|
| 1/2" | 1825     |
| 5/8" | 1826     |
| 3/4" | 1827     |
| 1"   | 1828     |





## FLEX FAB HOSE

### Flexfab Silicone Coolant Hose (3 Ply)

3 ply silicone coolant hose reinforced with polyester fabric and coated with specially compounded silicone elastomer.

#### APPLICATIONS:

For heavy duty pressure connections in hostile engine environments. Resists hardening, cracking, cold leaks, aging, steam and many chemicals. Ideal for extreme temperature and various pressure ranges where high performance levels are required.

#### CHARACTERISTICS:

Temperature range -65°F to +350°F.  
Meets or exceeds operating requirements of SAE J20 R1 Class A custom wall, TMC RP303B Class I Grade II and most OEM truck manufacturers specifications.

| Part Number | Description:     |
|-------------|------------------|
| 5515-100    | 1.00" x 3' blue. |
| 5515-125    | 1.25" x 3' blue. |
| 5515-150    | 1.50" x 3' blue. |
| 5515-175    | 1.75" x 3' blue. |
| 5515-200    | 2.00" x 3' blue. |
| 5515-225    | 2.25" x 3' blue. |
| 5515-250    | 2.50" x 3' blue. |
| 5515-275    | 2.75" x 3' blue. |
| 5515-300    | 3.00" x 3' blue. |
| 5515-350    | 3.50" x 3' blue. |
| 5515-400    | 4.00" x 3' blue. |



### Flexfab Heater Hose

#### CHARACTERISTICS:

Continuous operating temperature -65°F to +300°F.

Nylon fiber reinforced.

Resistant to coolant additives.

Flexfab silicone heater hose is shipped on wooden reels or handy dispenser cartons containing 25' or 50' of hose.

For high temperature applications, Nomex® reinforcement is available.

| Part Number | Description: |
|-------------|--------------|
| 5526-038X50 | .38" x 50'   |
| 5526-050X50 | .50" x 50'   |
| 5526-062X50 | .62" x 50'   |
| 5526-075X50 | .75" x 50'   |
| 5526-100X50 | 1.0" x 50'   |



### Charge Air Cooler Hose (CAC)

#### CHARACTERISTICS:

Convuluted charge air hose - 3 ply polyester  
Blue - Cold Side -  
(300° F, max operating temp.)

Convuluted charge air hose - 4 ply Nomex® Iron  
Oxide Red - Hot Side -  
(500° F, max operating temp.)

For superior connection between engine mounted charge air systems.

Ideal for handling slight misalignments and isolating vibration between hose ends.

| Part Number | Description:          |
|-------------|-----------------------|
| 7715-0002   | 4" id x 6" (Two Hump) |
| 7723        | 4" id x 6" (One Hump) |
| 7727-0001   | 4" id x 8"            |
| 7731-0001   | 3" id x 6"            |
| 7732-0001   | 3.5" id x 6"          |
| 7755-0002   | 4" id x 6" (4-ply)    |



### CAC or COOLANT HOSE 90° ELBOWS

| Part Number | Description               |
|-------------|---------------------------|
| 7884-100    | 1" Silicone - 6" LEGS     |
| 7884-200    | 2" Silicone - 6" LEGS     |
| 7884-250    | 2.5" Silicone - 6.5" LEGS |
| 7884-300    | 3" Silicone - 7.5" LEGS   |
| 7884-400    | 4" Silicone - 9.5" LEGS   |

### CAC or COOLANT HOSE 45° ELBOWS

| Part Number | Description               |
|-------------|---------------------------|
| 7896-100    | 1" Silicone - 6" LEGS     |
| 7896-200    | 2" Silicone - 6" LEGS     |
| 7896-250    | 2.5" Silicone - 6.5" LEGS |
| 7896-300    | 3" Silicone - 7.5" LEGS   |
| 7896-400    | 4" Silicone - 9.5" LEGS   |





## HOSE CLAMPS

### General Purpose Clamps

Standard worm drive band clamps are suitable for most common repairs. The bands have clean punched rectangular perforations that hold strong and connect easily. Stainless Steel and Plated Parts.

Screw: 5/16" hex slotted, plated carbon steel.

Band: 1/2" band width, 201/301 stainless steel.

Housing: 201/301 stainless steel.

| Part No.      | Diameter Range                  |     |                                |     |
|---------------|---------------------------------|-----|--------------------------------|-----|
|               | Min.                            |     | Max.                           |     |
|               | In.                             | mm. | In.                            | mm. |
| <b>ID5706</b> | 7/16                            | 11  | 25/32                          | 20  |
| <b>ID5708</b> | 1/2                             | 13  | 29/32                          | 23  |
| <b>ID5710</b> | 9/16                            | 14  | 1 <sup>1</sup> / <sub>16</sub> | 27  |
| <b>ID5712</b> | 1 <sup>1</sup> / <sub>16</sub>  | 17  | 1 <sup>1</sup> / <sub>4</sub>  | 32  |
| <b>ID5716</b> | 1 <sup>3</sup> / <sub>16</sub>  | 21  | 1 <sup>1</sup> / <sub>2</sub>  | 38  |
| <b>ID5720</b> | 1 <sup>3</sup> / <sub>16</sub>  | 21  | 1 <sup>3</sup> / <sub>4</sub>  | 44  |
| <b>ID5724</b> | 1 <sup>1</sup> / <sub>16</sub>  | 27  | 2                              | 51  |
| <b>ID5728</b> | 1 <sup>5</sup> / <sub>16</sub>  | 33  | 2 <sup>1</sup> / <sub>4</sub>  | 57  |
| <b>ID5732</b> | 1 <sup>9</sup> / <sub>16</sub>  | 40  | 2 <sup>1</sup> / <sub>2</sub>  | 64  |
| <b>ID5736</b> | 1 <sup>13</sup> / <sub>16</sub> | 46  | 2 <sup>3</sup> / <sub>4</sub>  | 70  |
| <b>ID5740</b> | 2 <sup>1</sup> / <sub>16</sub>  | 52  | 3                              | 76  |
| <b>ID5744</b> | 2 <sup>5</sup> / <sub>16</sub>  | 59  | 3 <sup>1</sup> / <sub>4</sub>  | 83  |
| <b>ID5748</b> | 2 <sup>9</sup> / <sub>16</sub>  | 65  | 3 <sup>1</sup> / <sub>2</sub>  | 89  |
| <b>ID5752</b> | 2 <sup>13</sup> / <sub>16</sub> | 71  | 3 <sup>3</sup> / <sub>4</sub>  | 95  |
| <b>ID5756</b> | 3 <sup>1</sup> / <sub>16</sub>  | 78  | 4                              | 102 |
| <b>ID5764</b> | 3 <sup>9</sup> / <sub>16</sub>  | 91  | 4 <sup>1</sup> / <sub>2</sub>  | 114 |
| <b>ID5772</b> | 1 <sup>7</sup> / <sub>8</sub>   | 48  | 5                              | 127 |
| <b>ID5780</b> | 2 <sup>1</sup> / <sub>2</sub>   | 64  | 5 <sup>1</sup> / <sub>2</sub>  | 140 |
| <b>ID5796</b> | 3 <sup>5</sup> / <sub>8</sub>   | 92  | 6 <sup>1</sup> / <sub>2</sub>  | 165 |



### Miniature Micro-Gear® Clamps

Micro-Gear® clamps are tiny, tough and precision engineered for use in such small hose applications as emission control, fuel lines and vacuum hoses.

Their slim, 5/16" band and low profile housing make them easy to install in confined areas.

Screw: 1/4" hex-head, plated carbon steel.

Band: 5/16" band width, 201/301 stainless steel.

Housing: Low profile, 201/301 stainless steel.

| Part No.       | Diameter Range |     |                                |     |
|----------------|----------------|-----|--------------------------------|-----|
|                | Min.           |     | Max.                           |     |
|                | In.            | mm. | In.                            | mm. |
| <b>ID6204</b>  | 7/32           | 5.6 | 5/8                            | 16  |
| <b>ID6206</b>  | 7/16           | 11  | 25/32                          | 20  |
| <b>ID62P08</b> | 1/2            | 13  | 15/16                          | 24  |
| <b>ID62P10</b> | 9/16           | 14  | 1 <sup>1</sup> / <sub>16</sub> | 27  |



### Lined Clamps

Lined clamps are designed for use with silicone rubber and other soft hose applications. The liner protects the hose surface and prevents it from extruding or shearing through the band notches as the clamp is tightened.

Stainless Steel and Plated Parts.

Screw: 5/16" hex slotted, plated carbon steel.

Band: 1/2" band width, 201/301 stainless steel.

Housing: 201/301 stainless steel.

Liner: 201/301 stainless steel.



### Flex-Gear® Constant Tension Clamps

Using a Belleville spring design to eliminate "cold flow" leakage, Flex-Gear® clamps adjust with the hose and fitting to maintain constant tension on the connection, eliminating leak paths. Excellent choice for fluctuating temperature applications and thermal compensation.

#### Features and Benefits:

Belleville spring and clamp construction is built to respond to constant temperature fluctuations. The larger, heavier-gauge, precision-formed springs provide higher rates of band tension and adjustment for a more dependable seal. Inner liner protects against shearing of the hose surfaces. Provides a uniform 360° seal. Reusable.

#### IDEAL® Flex-Gear HD® Clamps 45 Series

Screw: 3/8" hex-head, 410 stainless steel.

Band: 5/8" band width, 300 stainless steel.

Liner/Housing/Springs: 300 stainless steel.

| Part No.       | Diameter Range                |     |                               |     |
|----------------|-------------------------------|-----|-------------------------------|-----|
|                | Min.                          |     | Max.                          |     |
|                | In.                           | mm. | In.                           | mm. |
| <b>CT45175</b> | 1                             | 25  | 1 <sup>3</sup> / <sub>4</sub> | 44  |
| <b>CT45200</b> | 1 <sup>1</sup> / <sub>4</sub> | 32  | 2 <sup>1</sup> / <sub>8</sub> | 54  |
| <b>CT45250</b> | 1 <sup>3</sup> / <sub>4</sub> | 45  | 2 <sup>5</sup> / <sub>8</sub> | 67  |
| <b>CT45300</b> | 2 <sup>3</sup> / <sub>4</sub> | 57  | 3 <sup>1</sup> / <sub>8</sub> | 79  |
| <b>CT45350</b> | 2 <sup>3</sup> / <sub>4</sub> | 70  | 3 <sup>5</sup> / <sub>8</sub> | 92  |
| <b>CT45400</b> | 3 <sup>1</sup> / <sub>4</sub> | 83  | 4 <sup>1</sup> / <sub>8</sub> | 105 |
| <b>CT45450</b> | 3 <sup>3</sup> / <sub>4</sub> | 95  | 4 <sup>5</sup> / <sub>8</sub> | 118 |
| <b>CT45500</b> | 4 <sup>1</sup> / <sub>4</sub> | 108 | 5 <sup>1</sup> / <sub>8</sub> | 130 |
| <b>CT45500</b> | 4 <sup>3</sup> / <sub>4</sub> | 121 | 5 <sup>5</sup> / <sub>8</sub> | 143 |



| Part No.      | In.                             | Effective Diameter Range |                                |    |
|---------------|---------------------------------|--------------------------|--------------------------------|----|
|               |                                 | Min.                     | Max.                           |    |
|               |                                 | mm.                      | mm.                            |    |
| <b>ID5306</b> | 9/16                            | 14                       | 13/16                          | 21 |
| <b>ID5308</b> | 11/16                           | 17                       | 15/16                          | 24 |
| <b>ID5310</b> | 13/16                           | 21                       | 1 <sup>1</sup> / <sub>16</sub> | 27 |
| <b>ID5312</b> | 15/16                           | 24                       | 1 <sup>1</sup> / <sub>4</sub>  | 32 |
| <b>ID5316</b> | 13/16                           | 21                       | 1 <sup>1</sup> / <sub>2</sub>  | 38 |
| <b>ID5320</b> | 13/16                           | 21                       | 1 <sup>3</sup> / <sub>4</sub>  | 44 |
| <b>ID5324</b> | 1 <sup>1</sup> / <sub>16</sub>  | 27                       | 2                              | 51 |
| <b>ID5328</b> | 1 <sup>5</sup> / <sub>16</sub>  | 33                       | 2 <sup>1</sup> / <sub>4</sub>  | 57 |
| <b>ID5332</b> | 1 <sup>9</sup> / <sub>16</sub>  | 40                       | 2 <sup>1</sup> / <sub>2</sub>  | 64 |
| <b>ID5336</b> | 1 <sup>13</sup> / <sub>16</sub> | 46                       | 2 <sup>3</sup> / <sub>4</sub>  | 70 |
| <b>ID5340</b> | 2 <sup>1</sup> / <sub>16</sub>  | 52                       | 3                              | 76 |
| <b>ID5344</b> | 2 <sup>5</sup> / <sub>16</sub>  | 59                       | 3 <sup>1</sup> / <sub>4</sub>  | 83 |
| <b>ID5348</b> | 2 <sup>9</sup> / <sub>16</sub>  | 65                       | 3 <sup>1</sup> / <sub>2</sub>  | 89 |
| <b>ID5352</b> | 2 <sup>13</sup> / <sub>16</sub> | 71                       | 3 <sup>3</sup> / <sub>4</sub>  | 95 |

Hose installed with unlined clamp



Hose installed with lined clamp



### T Bolt Clamps: Spring Loaded (75.0 in lbs Installation Torque)

**Part No. ID0306** Min dia: 3-1/16 (77.8mm) Max Dia. 3-3/8 (85.7mm)

**Part No. ID0356** Min dia: 3-9/16 (90.5mm) Max Dia. 3-7/8 (98.47mm)

**Part No. ID0406** Min dia: 4-1/16 (103mm) Max Dia. 4-3/8 (111mm)



## SERVICE HOSE

### SERVICE STATION HOSE - Made in U.S.A.

#### Application:

A general purpose air hose available as a coupled assembly or uncoupled for use on towers, reels or curb service.

#### Construction:

Tube: Black EPDM – RMA Class C Oil Resistance

Reinforcement: 4-spiral synthetic

Cover: Blue EPDM – RMA Class C Oil Resistance

Length: 25' (coil), 50' (coil), 300' (reel)



#### Specifications:

Temperature Range: -40°F to 190°F (-40°C to 88°C)

Product Specifications: 569046

Branding: Continental Service Station Air, ID, WP,

| Size           | Ends    | Part No. |
|----------------|---------|----------|
| 3/8" x 50' w/c | 1/4 NPT | CE65137  |
| 1/2" x 50' w/c | 1/2 NPT | CE65138  |

### Fuel Line / PCV / Emission Control Hose SAE J30R7

**Application:** (Warning: Do not use for pressure lines on fuel-injected engines.)

A multipurpose fuel hose that can be used as a fuel line, PCV connection, emission control line or fuel return line.

Specific Fuel:

Unleaded gasoline, diesel fuel, gasoline blends of ethanol (E-10), E85 and sour gas.

#### Construction

Tube: Black Nitrile Reinforcement: 2-spiral synthetic

Cover: Black Chlorinated Polyethylene (CPE)

#### Specifications

Temperature Range: -40°F to 257°F (-40°C to 125°C)

SAE Specifications: SAE J30R7



| Size        | Part No. | Size        | Part No. |
|-------------|----------|-------------|----------|
| 3/16" x 25' | CE65125  | 5/16" x 25' | CE65127  |
| 1/4" x 25'  | CE65126  | 3/8" x 25'  | CE65128  |

## HYDRAULIC HOSE - HYDRAULIC QUICK COUPLINGS



#### Maximum

| Working Pressure (PSI) | Minimum Bend Radius | Hose O.D. | Hose I.D. | Part No.  |
|------------------------|---------------------|-----------|-----------|-----------|
| 2500                   | 3.000               | .52       | 3/16      | 201-4-BX  |
| 2000                   | 4.000               | .67       | 5/16      | 201-6-BX  |
| 2000                   | 4.625               | .77       | 13/32     | 201-8-BX  |
| 1750                   | 6.500               | .92       | 1/2       | 201-10-BX |

### SAE J1402 All Medium Pressure Hose

One wire braid, textile cover.

For high temperature engine and brake requirements.

Use with 20 Series and 22 Series fittings.

#### Construction:

Synthetic rubber tube, textile inner braid, high tensile steel wire braid reinforcement, textile braid cover.

#### Application:

Medium pressure hydraulic, turbo charger, filtration and oil lines, diesel fuel filter, engine and transmission coolant lines, air brake, power steering and tilt cab.

SAE J1402 and D.O.T. FMVSS 106

-All air brake hose requirements.

#### Temperature Range:

-40 Deg. F to +300 Deg. F, 150 Deg. F maximum

### 6100 Series Hydraulic Quick Disconnect Couplings

Parker's 6100 Series thread to connect couplings can be used in a wide variety of industrial applications where heavy-duty couplings are required that can be connected under pressure with little or no spillage.

Temperature Range -40° F to +250° F.

#### Brass Nipple

| Body Size (In.)               | Thread Size NPTF  | Without Flange Part No. |
|-------------------------------|---|-------------------------|
| 1                             | 1-11 <sup>1</sup> / <sub>2</sub>                              | 6105-16                 |
| 1 <sup>1</sup> / <sub>4</sub> | 1 <sup>1</sup> / <sub>4</sub> -11 <sup>1</sup> / <sub>2</sub> | 6105-20                 |



#### Wing Nut Coupler

| Body Size (In.)               | Thread Size NPTF  | Brass Part No. |
|-------------------------------|---|----------------|
| 1                             | 1-11 <sup>1</sup> / <sub>2</sub>                              | 6125-16        |
| 1 <sup>1</sup> / <sub>4</sub> | 1 <sup>1</sup> / <sub>4</sub> -11 <sup>1</sup> / <sub>2</sub> | 6125-20        |



#### Dust Plugs and Caps

| Body Size (In.) | Dust Plug Part No. | Dust Cap Part No. |
|-----------------|--------------------|-------------------|
| 1               | 6109-16            | 6108-16           |



### 6600 Series Hydraulic Quick Couplings

Versatile Parker 6600

Series couplings are used in a wide range of hydraulic applications.

Temperature Range:

-40° F to +250° F.

Part No. 6601-16-16  
Female thread coupler.  
1" body. 4.11" long, 1.88" Hex.



Part No. 6602-16-16  
Female thread nipple.  
1" body. 3.11" long, 1.62" Hex.



**BRAKE DRUMS - UNIMOUNT 16.5 X 7 STOCK LISTING**

**Part Number**      **Description:** Webb Standard Drum (20/skid)  
**66864B**                      Hub-pilot, balanced, USA made, 1.00" drilled hole, 110 lbs.

**Part Number**      **Description:** Heavy-Duty Drum (20/skid)  
**66884B**                      Hub-pilot, balanced, USA made, 1.00" drilled hole, 114 lbs.



**Part Number**      **Description:** Fleetcraft Value Drum (20/skid) (56864B)  
**1302467**(Webb)      Hub-pilot, balanced, USA made, 1.12" poured hole, 105 lbs.



**Part Number**      **Description:** KIC Value Drum (1302440-20/skid)  
**1302440**(KIC)              Hub-pilot, balanced, USA, 1" drilled hole, 102 lbs. (KICast)



**Part Number**      **Description:** KIC Standard Drums (457 - 20/skid (477 - 16/skid)  
**1302457**(KIC)              Hub-pilot, balanced, USA made, 1" drilled hole, 108 lbs.



**Part Number**      **Description:** KIC Severe-Duty Drum (54261-018) (16/skid)  
**1302884**(KIC)              Hub-pilot, balanced, import, 1" drilled hole, 125 lbs.



**Part Number**      **Description:** Gunite Value Plus Drum (3922x) (16/skid)  
**1402487**(Gunite)      Hub-pilot, balanced, USA made, 1" drilled hole, 105 lbs.





## WEBB BRAKE DRUMS



The life cycle of some wheel end manufacturers' products are measured in years. **Webb** wheel end equipment has been performing for decades. For nearly 60 years when someone in the truck, trailer and bus industries talks about drums, hubs, spoke wheels or rotors, they immediately say, "Webb." It's this history of trust and dependability that are built into every Webb product.



The secret behind **Webb's** industry leading products is in the engineering. Their products are proven, tested and true. Webb's staff of industry veterans keeps developing products to ensure peak performance for you.

### Cast Drums:

**Webb** brake drums are made from a high grade of cast iron for long service life and conform to SAE Recommended Practices. Webb's brake drums are continuously examined and refined through stringent testing for maximum performance and complete accountability. **With hundreds of brake drums available** in sizes ranging from 12.25 x 6.00 to 18.00 x 8.00, Webb offers the broadest brake drum line and has become the industry standard for quality wheel end equipment.



**VORTEX™  
UNLIMITED**



### Webb Vortex Unlimited Brake Drums:

- The patented **Webb VORTEX™ Unlimited** brake drum employs external cooling ribs that conduct heat away from the brake surface for superior heat dissipation and 10% lower operating temperatures.

- Running significantly lower temperatures than ordinary drums, Webb Vortex™ Unlimited performs better and lasts 25% longer. Plus, the new wear indicator on the 77864BW model reduces maintenance costs by taking the guesswork out of wear measurements.

### •Part Numbers:

**77710B** - 16.5 x 5

**77800BW** - 16.5 x 8

**77854BW** - 16.5 x 8-5/8

**77864BW** - 16.5 x 7

- The Ultimate low-temperature, long-life brake drum! •Made in the USA.



**WEBB BRAKE DRUM LISTING - WITH INTERCHANGES**

| WEBB's Part No. | Mount<br>I=Inboard<br>O=Outboard | Brake Surface Diameter | Fleetcraft | Dayton  | KIC       | Gunite       | Erie   | Durametal | Aweco |
|-----------------|----------------------------------|------------------------|------------|---|-----------|--------------|--------|-----------|-------|
| 60876F          | O                                | 16.5x7                 | 1602404    | 120877  | 52877-11  | 3120         |        | 16729     | 97167 |
| 61527B          | O                                | 15x4                   |            | 123366  | 53075-018 | 3721X        |        |           |       |
| 61528B          | O                                | 15x4                   | 1602429    | 123254  | 54201-108 | 3721A        |        |           |       |
| 61780F          | I                                | 16.5x7                 |            | 120754  | 51961-10  | 2577A        | 2762   | 16149     | 97086 |
| 61788F          | O                                | 15x4                   |            | 120936  | 54203-01  | 3197         |        | 18788     |       |
| 61991F          | O                                | 15x4                   |            |   | 54270-018 | 3744X        |        |           |       |
| 62117F          | I                                | 16.5x5                 |            | 122266  |           | 3289         |        | 16289     | 97117 |
| 62200F          | I                                | 16.5x7                 | 1602401    | 12582   | 52020-01  | 2705         | 2760   | 1629      | 97060 |
| 62240F          | I                                | 16.5x7                 |            | 120574  | 52034-01  | 2730         | 2750-1 | 16325     | 97040 |
| 62670B          | O                                | 16.5x7                 |            |   |           |              |        |           |       |
| 62997F          | I                                | 16.5x7                 |            | 122009  | 52890-11  | 2997         | 2772   | 16997     | 97789 |
| 63617F          | I                                | 12.25x7.5              |            | 122963  | 52743-11  | 3174         | 2752   | 12617     | 91147 |
| 63631F          | I                                | 12.25x7.5              |            |   | 53039-01  | 3557         |        | 1244      |       |
| 63635F          | I                                | 12.25x7.5              |            |   | 53039-11  | 3557A        |        |           |       |
| 63637F          | I                                | 12.25x7.5              |            | 122971  | 52511-01  | 3467         |        | 12637     |       |
| 63647F          | I                                | 12.25x7.5              |            | 122963  | 54215-01  |              |        | 12617     |       |
| 63680F          | O                                | 12.25x7.5              |            |   | 54244-01  |              |        |           |       |
| 64050B          | O                                | 16.5x8.62              |            |   | 54220-018 |              |        |           |       |
| 65152B          | O                                | 16.5x6                 |            | 123399  | 54248-018 | 3687X        |        |           |       |
| 65162B          | O                                | 16.5x6                 |            |   | 54242-018 |              |        |           |       |
| 65166B          | O                                | 16.5x6                 |            |   | 54266-018 | 3893X        |        |           |       |
| 65167B          | O                                | 16.5x6                 |            | 122556  | 54225-018 | 3513X/3437X  |        |           |       |
| 65514B          | I                                | 15x4                   |            | 122104  | 54207-018 | 3057A/3760BX |        |           |       |
| 65541B          | O                                | 15x4                   |            | 123312  | 52981-01  | 3158         |        |           |       |
| 65545B          | O                                | 15x4                   |            | 123382  | 54224-018 | 3726X        |        |           |       |
| 65547B          | O                                | 15x4                   |            |   |           | 3596         |        |           |       |
| 65548B          | O                                | 15x4                   | 1602430    |   |           | 3800X        |        |           |       |
| 65554B          | O                                | 15x5                   |            | 123448  |           | 3726         |        |           |       |
| 65600B          | O                                | 16.5x6                 |            | 123569  | 54233-018 |              |        |           |       |
| 65651B          | O                                | 16.5x5                 |            |   | 54275-018 | 2920X/3075   |        |           |       |
| 65670B          | O                                | 16.5x7                 |            |   | 54234-018 | 3889X        |        |           |       |
| 65710B          | O                                | 16.5x5                 | 1602433    |   |           | 3710         |        |           |       |
| 66353F          | O                                | 16.5x7                 | 1602432    |   | 54213-01  | 3647/3757    |        |           |       |
| 66800B          | O                                | 16.5x8                 | 1602435    | replaces 66808B BTS Drum unimount for brake turbine |           |              |        |           |       |
| 66807B          | O                                | 16.5x7                 |            |   |           |              |        |           |       |
| 66814F          | O                                | 16.5x8.62              |            | 123428  | 54727-01  |              |        |           |       |
| 66854F          | O                                | 16.5x8.62              |            |   | 54229-01  | 3807         |        |           |       |
| 66864B          | O                                | 16.5x7                 |            | 123207  | 53033-018 | 3600AX       |        | 16792B    |       |
| 66864F          | O                                | 16.5x7                 |            | 123207  | 53033-01  | 3600A        |        | 16792     |       |
| 66865B          | O                                | 16.5X7                 |            | 122948  | 54209-018 | 3441X        |        |           |       |
| 66873F          | O                                | 16.5x7                 |            |   | 54202-01  | 3402         |        |           |       |
| 66875F          | O                                | 16.5x7                 |            |   | 53033-30  | 3401A/3141B  |        | 16141     |       |
| 66884B          | O                                | 16.5x7                 | 1602417    | 123365  | 54261-018 | 3576X        |        |           |       |
| 66884F          | O                                | 16.5x7                 |            | 123207  | 53033-01  |              |        |           |       |
| 66892F          | O                                | 16.5x7                 |            | 122453  | 52878-01  | 3543         | 2769   | 16797     | 97165 |
| 66893F          | O                                | 16.5x7                 | 1602407    | 122607  | 53026-01  | 3166         | 2764   | 16705     | 97164 |
| 66895B          | O                                | 16.5x7                 | 1602403    | 122550  | 52705-30  | 2769/3141    | 2771   | 16794     | 97144 |
| 67518F          | I                                | 16.5x7                 | 1602400    | 122222  | 52230-10  | 2353C        | 2738   | 16874     | 97018 |
| 68730F          | I                                | 16.5x7                 | 1602402    | 122126  | 52327-10  | 3018A        | 2740-1 | 1639      | 97038 |
| 68765F          | I                                | 16.5x7                 |            | 120586  | 52327-11  | 2546C        | 2740   | 16877     | 97853 |
| 68845F          | O                                | 16.5x5                 |            |   | 54216-01  | 3595         |        |           |       |
| 68891F          | I                                | 16.5x8.62              |            | 120882  | 52219-01  | 3383         |        | 16296     | 97191 |
| 68897F          | I                                | 16.5x7                 |            | 122600  | 53032-30  | 2542         | 2765   | 97097     |       |
| 68958F          | I                                | 16.5x8.62              |            | 122925  | 54264-01  | 3136B        |        | 16516     |       |
| 68981B          | I                                | 16.5x7                 | 1602405    | 122683  | 52120-12  | 3295         | 2770   | 16877     | 97853 |







## MERITOR® STEELITE X30™ BRAKE DRUMS

### X30™ brake drums

- Reduces maintenance with a one-piece design that eliminates weld seams and provides exceptional strength, durability and concentricity while reducing weight.
- Exclusive SpinCast process fuses a gray iron liner to the out shell, for optimum stopping performance
- No welded on balance weights due to patented machine-to-balance process.
- Exclusive SpinCast casting process provides a high strength cast-iron braking surface that is much less vulnerable to disintegration in the event of breakage.

| <u>Part Number</u> | <u>Interchange #'s</u> | <u>Brake Size</u> |
|--------------------|------------------------|-------------------|
| 53-123512-002      | 90089BK                | 15 x 4            |
| 53-123537-002      | 89996B                 | 16.5 x 7          |
| 53-123542-002      | 89870BK                | 15 x 4            |
| 53-123564-002      | 87101B                 | 16.5 x 7          |
| 53-123566-002      | 88797B                 | 16.5 x 7          |
| 53-123568-002      | 90660BK                | 15 x 4            |
| 53-123608-002      | 91265B                 | 16.5 x 6          |



## Performance Advantages:

- ~Exceptional strength, durability and concentricity for heavy, and medium-duty trucks, tractors and trailers.
- ~Lightweight design for increased payloads.
- ~Delivers reliability, inherent balance, weight reduction and lower lifetime operating cost.
- ~Superior alternative to any other lightweight brake drum.
- ~Compatible with brake systems for revised FMVSS-121 regulations.
- ~High strength cast-iron braking surface.
- ~Permanently fused gray iron liner.
- ~Exclusive one-piece shell.
- ~Machine-balanced without weld weights.





**STEMCO MOTOR WHEEL CENTRIFUSE® BRAKE DRUMS**

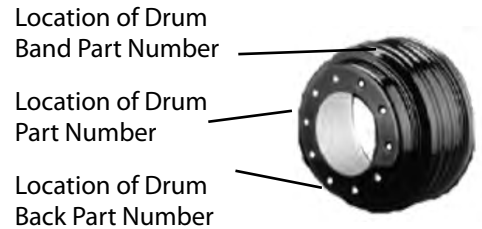
**Why Choose Centrifuse®?**

- SAFETY - ensured by Centrifuse® Steel Jacket Technology.
- LONGER LIFE - provided by Patented Alloy Braking Service.
- PROVEN PERFORMANCE - with over 80 years in the Industry.
- IMPROVED MPG - or Increase Revenue-Produced Payload.
- LIGHTEST WEIGHT brake drums in the Industry!



**DRUM BACK/BAND NUMBER CROSS REFERENCE**

In the process of manufacture, Centrifuse® brake drums are assigned three different part numbers - for the drum band, drum back and the drum itself (see illustration).



To avoid confusion and possible misapplication when ordering replacement drums, refer to the CENTRIFUSE® DRUM part number. This is for your convenience in matching drum back numbers to CENTRIFUSE® DRUM part numbers.

| Drum Part No.  | Weight | Mount (B) | Brake Size | Over All Depth | Brake Surface Flat | Pilot Diameter | Bolt Circle Diameter | Bolt Holes No. | Size | Drum Back No. | Drum Band No. |
|----------------|--------|-----------|------------|----------------|--------------------|----------------|----------------------|----------------|------|---------------|---------------|
| <b>87101B</b>  | 90     | O         | 16.50x7    | 10.41          | 7.64               | 8.53           | 11.25                | 10             | .81  | 87102         | 87105         |
| <b>87156B</b>  | 90     | O         | 16.50x7    | 10.41          | 7.64               | 9.00           | 11.25                | 10             | .81  | 87157         | 87105         |
| <b>88797B</b>  | 90     | O         | 16.50x7    | 10.41          | 7.64               | 9.00           | 275mm                | 8              | .92  | 88798         | 87105         |
| <b>89996B</b>  | 90     | O         | 16.50x7    | 10.41          | 7.62               | 8.78           | 285.75mm             | 10             | .96  | 89876         | 87105         |
| <b>90089BK</b> | 64     | O         | 15x4       | 8.54           | 4.58               | 8.78           | 285.75mm             | 10             | 1.25 | 91294         | 91028         |

O = Outboard Mounted Drums





**SPOKE WHEELS & SPOKE WHEEL ASSEMBLIES**

**Spoke Wheels - Come with:  
bearing cup, spacer, clamps, studs and nuts.**



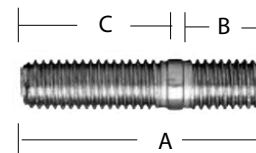
| Part No.                    | Wheel Size & Description | Bearing Cups |          | Vendor No.  | Comments |
|-----------------------------|--------------------------|--------------|----------|-------------|----------|
|                             |                          | Inner        | Outer    |             |          |
| <b>15 INCH SPOKE WHEEL</b>  |                          |              |          |             |          |
| 1011915                     | 15 Inch 3 Spoke          | HM218210     | HM212011 | 70159--A    | non-abs  |
| <b>20 INCH SPOKE WHEEL</b>  |                          |              |          |             |          |
| 1031445                     | 20 inch 5 spoke          | 653          | HM212011 | 85203--A    | non-abs  |
| 1011978                     | 20 Inch 5 Spoke          | HM218210     | HM212011 | 75209--A    | non-abs  |
| 5580Z--AT                   | 20 Inch 5 Spoke          | HM518410     | HM518410 | 5580Z--A    | ABS      |
| 8011979                     | 20 Inch 5 Spoke          | HM218210     | HM212011 | HUB-75207TH | ABS      |
| <b>22 INCH SPOKE WHEELS</b> |                          |              |          |             |          |
| 76229--A                    | 22 Inch 5 Spoke          | HM218210     | HM212011 | 76229--A    | non-abs  |

**Spoke Wheel Assemblies - Come complete with:  
brake drum, bearing cup, spacer, clamps, studs and nuts.**

| PART No.   | WHEEL DIMENSIONS | BEARING CUPS |          | BRAKE SIZE  | VENDOR No. | COMMENTS |
|--|------------------|--------------|----------|---|------------|----------|
|  |                  | INNER        | OUTER    |   |            |          |
| <b>15 INCH SPOKE WHEEL With 12-1/4X7-1/2 Drum.</b> |                  |              |          |   |            |          |
| 1133915  | 15 INCH 3 SPOKE  | HM218210     | HM212011 | 12 <sup>1</sup> / <sub>4</sub> X7 <sup>1</sup> / <sub>2</sub> | 70159CCA   | non-abs  |
| 1533915  | 15 INCH 3 SPOKE  | HM218210     | HM212011 | 12 <sup>1</sup> / <sub>4</sub> X7 <sup>1</sup> / <sub>2</sub> | 70159CCAT  | ABS      |
| <b>20 INCH SPOKE WHEEL With 16-1/2X7 Drum.</b>     |                  |              |          |   |            |          |
| 1133849  | 20 INCH 5 SPOKE  | HM218210     | HM212011 | 16 <sup>1</sup> / <sub>2</sub> X7                             | 75209GCA   | non-abs  |
| 8533849  | 20 INCH 5 SPOKE  | HM218210     | HM212011 | 16 <sup>1</sup> / <sub>2</sub> X7                             | 001-75207T | ABS      |
| <b>22 INCH SPOKE WHEELS With 16-1/2X7 Drum.</b>    |                  |              |          |   |            |          |
| 76229GCA   | 22 INCH 6 SPOKE  | HM218210     | HM212011 | 16 <sup>1</sup> / <sub>2</sub> X7                             | 76229GCA   | non-abs  |

**SPOKE WHEEL STUD - 3/4"**

| Part No. | REPLACES                | Thread | A | B      | C     |
|----------|-------------------------|--------|---|--------|-------|
| NL5102   | E4956A, M39, Webb171027 | 3/4-10 | 3 | 1-1/16 | 1-3/4 |



**SPOKE WHEEL NUT - 3/4"**

| Part No. | Dayton    | Euclid | Gunite | Webb  | Thread | Hex   |
|----------|-----------|--------|--------|-------|--------|-------|
| NL5401   | 08-005716 | E4963  | WP-148 | 74710 | 3/4-10 | 1-1/4 |



**SPACERS:**

Tubeless Rims:

For 17.5" diameter rims,  
use 15" diameter spacer bands.

For 22.5" diameter rims,  
use 20" diameter spacer bands.

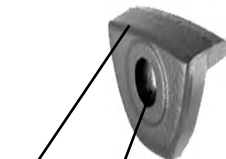
For 24.5" diameter rims,  
use 22" diameter spacer bands.



| Part No. | Size (In)                        |
|----------|----------------------------------|
| 1013329  | 15X4                             |
| 1013331  | 20X3 <sup>3</sup> / <sub>8</sub> |
| 1013333  | 20X3 <sup>5</sup> / <sub>8</sub> |
| 1013334  | 20X4                             |
| 1013335  | 20X4 <sup>1</sup> / <sub>4</sub> |
| 1013340  | 20X4 <sup>1</sup> / <sub>2</sub> |
| 1013336  | 22X4                             |
| 1013337  | 22X4 <sup>1</sup> / <sub>4</sub> |
| 1013338  | 22X4 <sup>1</sup> / <sub>2</sub> |
| 1013339  | 22X3 <sup>5</sup> / <sub>8</sub> |

**RIM CLAMPS**

| Part No. | Interchange              | "A"                           | Stud Size                   | Spacer Width                  |
|----------|--------------------------|-------------------------------|-----------------------------|-------------------------------|
| NL5006   | E5571A, M3<br>Webb 16123 | 1 <sup>1</sup> / <sub>8</sub> | <sup>3</sup> / <sub>4</sub> | 4                             |
| NL5008   | E5784A, M1123            | 1 <sup>1</sup> / <sub>4</sub> | <sup>3</sup> / <sub>4</sub> | 4                             |
| NL5011   | E5040, M8                | 1 <sup>1</sup> / <sub>2</sub> | <sup>3</sup> / <sub>4</sub> | 3 <sup>5</sup> / <sub>8</sub> |
| NL5015   | E5572A, M4               | 1 <sup>3</sup> / <sub>4</sub> | <sup>3</sup> / <sub>4</sub> | 3 <sup>3</sup> / <sub>8</sub> |





## HUBS, HUBS, AND MORE HUBS



### Ductile Iron hubs~Hub Pilot-Unimount~(includes cups)



| Part No.    | Brake Size<br>Description | Bearings |          | Stud   | Brand   | Description                                       |
|-------------|---------------------------|----------|----------|--------|---------|---|
|             |                           | Inner    | Outer    |        |         |   |
| 1013808     | 16.50 x 7                 | HM218210 | HM212011 | NL5106 | Walther | 10 hole for dual steel, ABS ready.                |
| 1013809     | 16.50 x 7                 | HM218210 | HM212011 | NL5107 | Walther | 10 hole for dual aluminum, ABS ready.             |
| 1013810     | 16.50 x 7                 | HM518410 | HM518410 | NL5106 | Walther | 10 hole for dual steel, ABS ready. (bolt-on h/c)  |
| 1013811     | 16.50 x 7                 | HM518410 | HM518410 | NL5107 | Walther | 10 hole for dual alum., ABS ready. (bolt-on h/c)  |
| 20231--3T   | 16.50 x 7                 | HM218210 | HM212011 | NL5106 | Webb    | 10 hole for dual steel, ABS ready.                |
| 20231--5T   | 16.50 x 7                 | HM218210 | HM212011 | NL5107 | Webb    | 10 hole for dual aluminum, ABS ready.             |
| 20271--3T80 | 12.25 x 7                 | HM218210 | HM212011 | NL5106 | Webb    | 8 hole for dual steel, ABS ready.                 |
| 20281--3T   | 16.50 x 7                 | HM218210 | HM212011 | NL5106 | Webb    | 8 hole for dual steel wheels, ABS ready           |
| 23231--3T   | 16.50 x 7                 | HM518410 | HM518410 | NL5106 | Webb    | 10 hole for dual steel, ABS ready. (screw-on h/c) |
| 23231--5T   | 16.50 x 7                 | HM518410 | HM518410 | NL5107 | Webb    | 10 hole for dual aluminum, ABS ready.             |
| 23431--3T   | 16.50 x 7                 | HM518410 | HM518410 | NL5106 | Webb    | 10 hole for dual steel, ABS ready. (bolt-on h/c)  |
| 23431--5T   | 16.50 x 7                 | HM518410 | HM518410 | NL5107 | Webb    | 10 hole for dual aluminum, ABS ready.             |
| 26431--3T   | 16.50 x 7                 | 592A     | 572      | NL5106 | Webb    | 10 hole for dual steel, ABS ready.                |
| 26431--5T   | 16.50 x 7                 | 592A     | 572      | NL5107 | Webb    | 10 hole for dual aluminum, ABS ready.             |
| 8013808     | 16.50 x 7                 | HM218210 | HM212011 | NL5106 | KIC     | 10 hole for dual steel, ABS ready.                |
| 8013809     | 16.50 x 7                 | HM218210 | HM212011 | NL5107 | KIC     | 10 hole for dual aluminum, ABS ready.             |
| 8013810     | 16.50 x 7                 | HM518410 | HM518410 | NL5106 | KIC     | 10 hole for dual steel, ABS ready. (bolt-on h/c)  |
| 8013811     | 16.50 x 7                 | HM518410 | HM518410 | NL5107 | KIC     | 10 hole for dual alum., ABS ready. (bolt-on h/c)  |

### Ductile Iron hubs~Inboard~(includes cups)

| Part No. | Brake Size<br>Description | Bearing Cups |          | Description                               |
|----------|---------------------------|--------------|----------|---|
|          |                           | Inner        | Outer    |   |
| 1013802  | 16.50 x 7                 | HM218210     | HM212011 | Webb hub # 1001 (No Studs) (E-5561L/R)    |
| 1013804  | 16.50 x 7                 | HM518410     | HM518410 | Webb hub # 1331 (No Studs) (E-5561L/R)    |
| 8013806  | 12.25 x 7                 | HM218210     | HM212011 | KIC hub # 10511T (With Studs) (E-5561L/R) |
| 8013807  | 12.25 x 7                 | HM218210     | HM212011 | KIC hub # 10512T (With Studs) (E-5561L/R) |

### Ductile Iron hubs~Outboard~(includes cups)

| Part No. | Brake Size<br>Description | Bearing Cups |          | Description                                |
|----------|---------------------------|--------------|----------|--|
|          |                           | Inner        | Outer    |  |
| 1013803  | 16.50 x 7                 | HM218210     | HM212011 | Webb hub # 10209--N (No Studs) (E-8947L/R) |
| 1013805  | 16.50 x 7                 | HM518410     | HM518410 | Webb hub # 1320Z--N (No Studs) (E-8947L/R) |

### Aluminum hubs~Hub Pilot-Unimount~(includes cups)

| Part No. | Brake Size<br>Description | Bearing Cups |          | Description   |
|----------|---------------------------|--------------|----------|---|
|          |                           | Inner        | Outer    |   |
| 105776   | 16.50 x 7                 | HM218210     | HM212011 | 10 hole for dual aluminum, ABS ready. Comes w/studs |
| 10001198 | 16.50 x 7                 | HM518410     | HM518410 | 10 hole for dual aluminum, ABS ready. Comes w/studs |



### Dura-Lite® Hubs ~ Hub Pilot-Unimount~(includes cups)

| Part No.     | Brake Size<br>Description | Bearing Cups |          | Description   |
|--------------|---------------------------|--------------|----------|---|
|              |                           | Inner        | Outer    |   |
| 10-00114-101 | 16.50 x 7                 | HM218210     | HM212011 | 10 hole for dual aluminum, ABS ready. Comes w/studs |





## HUB AND DRUM ASSEMBLIES

### Steel hubs with Inboard drums (Stud Pilot)

#### Double cap nuts for use with ball seat mount disc wheels



| Part No. | Brake Size<br>Description | Bearing Cups |          | Studs  | Nuts(Inner/Outer) | More Info    |
|----------|---------------------------|--------------|----------|--------|-------------------|--------------|
|          |                           | Inner        | Outer    |        |                   |              |
| 8513812  | 12.25 x 7.5               | HM218210     | HM212011 | NL5206 | NL5500/NL5512     | RH ABS ready |
| 8513813  | 12.25 x 7.5               | HM218210     | HM212011 | NL5207 | NL5501/NL5512     | LH ABS ready |

### Steel hubs with Outboard drums (Stud Pilot)

#### Double cap nuts for use with ball seat mount disc wheels

| Part No. | Brake Size<br>Description | Bearing Cups |          | Stud   | Description                                     |
|----------|---------------------------|--------------|----------|--------|---|
|          |                           | Inner        | Outer    |        |   |
| 2513824  | 16.5 x 7.0                | HM218210     | HM212011 | 101172 | Webb 20231UQART-10, RH ABS ready, without nuts. |
| 2513825  | 16.5 x 7.0                | HM218210     | HM212011 | 101173 | Webb 20231UQALT-10, LH ABS ready, without nuts  |



### Steel hubs with Outboard drums with studs and nuts

#### ~Hub Pilot-Unimount~



| Part No. | Brake Size<br>Description | Bearing Cups |          | Brand             | Description          |
|----------|---------------------------|--------------|----------|-------------------|----------------------|
|          |                           | Inner        | Outer    |                   |                      |
| 1513827  | 16.50 x 7.0               | HM218210     | HM212011 | Webb 20231UQ4T-10 | ABS for steel        |
| 1513829  | 16.50 x 7.0               | HM218210     | HM212011 | Webb 20231UQ6T-10 | ABS for Aluminum     |
| 1513842  | 16.50 x 7.0               | HM518410     | HM518410 | Webb 23431UQ4T-10 | ABS for steel        |
| 1613842  | 16.50 x 7.0               | HM518410     | HM518410 | Webb 23431UQGT-10 | ABS for Aluminum     |
| 8513827  | 16.50 x 7.0               | HM218210     | HM212011 | KIC 01025TN       | ABS for steel        |
| 8513829  | 16.50 x 7.0               | HM218210     | HM212011 | KIC 01025LTN      | ABS for Aluminum     |
| 8513842  | 16.50 x 7.0               | HM518410     | HM518410 | KIC 01043TN       | ABS for steel        |
| 8613842  | 16.50 x 7.0               | HM518410     | HM518410 | KIC 01043LTN      | ABS for dual Alum    |
| 9013819  | 12.25 x 7.5               | HM218210     | HM212011 | KIC 00133N        | 8 hole for steel     |
| 9513819  | 12.25 x 7.5               | HM218210     | HM212011 | KIC 00133NIT      | 8 hole ABS for steel |
| 9613819  | 12.25 x 7.5               | HM218210     | HM212011 | KIC 00133LTN      | 8 hole ABS for Alum. |

#### BRAKE DRUM BOLTS - Grade 8

| Part No. | Thread | Under Head | REPLACES         |
|----------|--------|------------|------------------|
| NL5441   | 5/8-18 | 2          | M2454            |
| NL5442   | 3/4-16 | 2          | Dayton 08-201500 |

Drum bolt kits contain  
five grade 8 bolts,  
nuts and washers.

#### LOCK NUTS - Plated, Grade 8

| Part No. | Thread | Height | REPLACES |
|----------|--------|--------|----------|
| NL5412   | 5/8-18 | 9/16   | M2457    |
| NL5413   | 3/4-16 | 5/8    | M2459    |

Kit Part No.      Thread      Bolt Length  
**NL5491 (E5972)**      3/4-16 UNF      2"

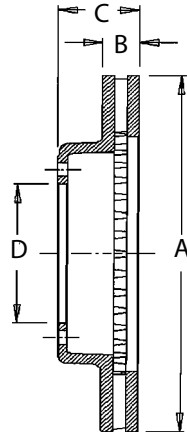
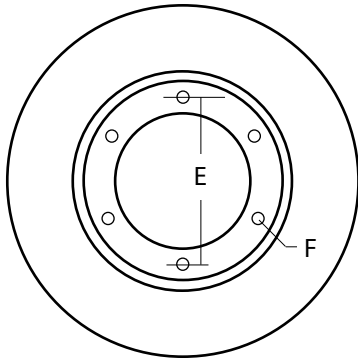
#### WASHER - SAE Standard Grade 8, Plated

| Part No. | Diameter | O.D.   | REPLACES         |
|----------|----------|--------|------------------|
| NL5480   | 5/8      | 1 5/16 | Dayton 08-201941 |
| NL5481   | 3/4      | 1 1/2  | E2545            |





**BRAKE ROTORS**



| Part No. (Interchange)    | Lbs. | A<br>Overall<br>Diameter | B<br>Thickness | C<br>Overall<br>Depth | D<br>Pilot<br>Diameter | E<br>Bolt<br>Circle | F<br>Bolt Holes<br>Number | Size |
|---------------------------|------|--------------------------|----------------|-----------------------|------------------------|---------------------|---------------------------|------|
| 23-123458-002 (E-11309)   | 44   | 15.38                    | 1.54           | 3.40                  | 6.00                   | 7.25                | 10                        | .66  |
| 23-123485-002 (54103P)    | 37   | 15.38                    | 1.44           | 3.40                  | 6.00                   | 7.25                | 10                        | .59  |
| 23-123486-002 (54102P)    | 36   | 14.93                    | 1.34           | 3.81                  | 5.22                   | 6.75                | 5                         | .66  |
| 23-123489-002 (54301F)    | 46   | 15.39                    | 1.53           | 3.40                  | 6.00                   | 7.25                | 10                        | .59  |
| 23-123550-009 (54773P-65) | 36   | 15.00                    | 1.44           | 3.21                  | 6.00                   | 7.25                | 10                        | .59  |
| 23-123552-009 (54771P-65) | 36   | 15.00                    | 1.44           | 4.44                  | 6.00                   | 7.25                | 10                        | .59  |
| 23-123557-009 (54775P-65) | 51   | 15.38                    | 1.53           | 3.40                  | 6.00                   | 7.25                | 10                        | .59  |
| 23-123572-009 (54770P-65) | 37   | 15.00                    | 1.44           | 3.50                  | 5.40                   | 6.75                | 6                         | .78  |
| 23-123573-009 (54769P-65) | 38   | 15.00                    | 1.44           | 3.50                  | 5.40                   | 6.75                | 5                         | .78  |

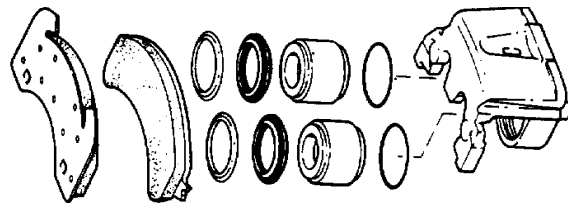
**BRAKE ROTOR APPLICATIONS**

| Part No.      | Application                        | Interchanges(B=Bendix, E=Euclid, G=Gunite, W=Webb) |
|---------------|------------------------------------|--|
| 23-123458-002 |                                    | E=E-11309  |
| 23-123485-002 | Ford Front Axles                   | E=E-11307  |
| 23-122486-002 | GMC/Chevrolet Front Axles          | B=141271, E=E-4229, G=D6054, W=54102P              |
| 23-123489-002 | GMC/Chevrolet Front and Rear Axles | B=141272, E=E-4230, G=D6052, W=54301F-ABS          |
| 23-123550-009 | Coated - ABS                       | E=E-11470, G=D6176M, W=54773P-65                   |
| 23-123552-009 | Navistar                           | E=E-12523, G=D6183M, W=54771P-65                   |
| 23-123557-009 | 10 hole ABS                        | E=E-12524, W=54775P-65                             |
| 23-123572-009 | Navistar                           | B=141475, E=E-6115, G=D6194AM, W=54770P-65         |
| 23-123573-009 | 15"                                | B=141476, E=E-6114, G=n/a, W=54769P-65             |



## BRAKE CALIPERS

# Bendix



Calipers are hydraulically activated devices in a disc brake system mounted straddling the brake rotor discs. The caliper contains at least one piston and two brake pads. Hydraulic pressure on the piston(s) forces the pads against the rotor.



### NEW Bendix Caliper

**Part No. Description**

**55850ZOH** 2.88 Caliper Assembly, Double Piston, Casting # 4150844

### Bendix Caliper Repair Kits

**Part No. Description**

**H5664** Caliper Shim Kit

**H8203** Repair Kit for Calipers

### REMAN. LOADED BENDIX CALIPER

**Part No. Description**

**L55250PREM** L & R, Double Piston

### REMAN BENDIX CALIPERS

**Part No. Description**

**R55250** Reman Caliper, Double Piston, 2.88"

**R55251** Reman Caliper, Double Piston, 2.50"

**R55314** Reman Caliper, Double Piston, Casting # 4151733

**R55849** Reman Caliper, Double Piston, Casting # 4153269

**R55850** Reman Caliper, Double Piston, Casting # 4153222

### INTERCHANGES:

Bendix # L55250PREM = Eucid # E-4238X-VL

Bendix # R55250 = Eucid # E4238X

Bendix # R55251 = Eucid # E4244X

Bendix # R55849 = Eucid # E-11750-SL

Bendix # R55850 = Eucid # E-11756-SL



### REMAN. HALDEX SEMI-LOADED CALIPER

**Part No. Description**

**RH55250SX** Reman Caliper, Double Piston, 2.88, incl hrdwr





**TIMKEN BEARING MILEMATE® SETS**

**TIMKEN®**  
**TIMKEN® MILEMATE™**

Timken MileMate™ sets -the original matched wheel bearing sets - are designed to keep trucks up

and moving. When you use the original MileMate sets from Timken, you know you're getting bearing sets specifically designed for your application that meet or exceed the original equipment manufacturer's specifications.

*A MileMate™ set is a Timken® matched cup and cone conveniently packaged in a single box. Available for the most popular heavy-duty truck tapered roller bearings.*



| <u>Part No.</u> | <u>Description</u>                      |
|-----------------|---|
| <b>SET401T</b>  | Milemate Bearing Set 580/572            |
| <b>SET402T</b>  | Milemate Bearing Set 582/572            |
| <b>SET403T</b>  | Milemate Bearing Set 594A/592A          |
| <b>SET405T</b>  | Milemate Bearing Set 663/653            |
| <b>SET406T</b>  | Milemate Bearing Set 3782/3720          |
| <b>SET407T</b>  | Milemate Bearing Set 28682/28622        |
| <b>SET408T</b>  | Milemate Bearing Set 39590/39520        |
| <b>SET409T</b>  | Milemate Bearing Set 45280/45220        |
| <b>SET411T</b>  | Milemate Bearing Set 47686/47620        |
| <b>SET412T</b>  | Milemate Bearing Set HM212047/HM212011  |
| <b>SET413T</b>  | Milemate Bearing Set HM212049/HM212011  |
| <b>SET414T</b>  | Milemate Bearing Set HM218248/HM218210  |
| <b>SET415T</b>  | Milemate Bearing Set HM518445/HM518410  |
| <b>SET419T</b>  | Milemate Bearing Set H715343/H715311    |
| <b>SET420T</b>  | Milemate Bearing Set H715345/H715311    |
| <b>SET423T</b>  | Milemate Bearing Set 6461A/6420         |
| <b>SET424T</b>  | Milemate Bearing Set 555S/552A          |
| <b>SET425T</b>  | Milemate Bearing Set 567/563            |
| <b>SET426T</b>  | Milemate Bearing Set 47679/47620        |
| <b>SET427T</b>  | Milemate Bearing Set NP899357/NP026773  |
| <b>SET428T</b>  | Milemate Bearing Set NP874005/NP435395  |
| <b>SET429T</b>  | Milemate Bearing Set NP034945/NP363298  |
| <b>SET430T</b>  | Milemate Bearing Set NP840302/NP053874  |
| <b>SET431T</b>  | Milemate Bearing Set NP965350/NP503727  |
| <b>SET439T</b>  | Milemate Bearing Set HM212049X/HM212011 |
| <b>SET4T</b>    | Milemate Bearing Set L44610/L44649      |
| <b>SET6T</b>    | Milemate Bearing Set LM67010/LM67048    |

**TIMKEN® MILEMATE™**

**TIMKEN®**







**WHEEL BEARINGS**



**STEMCO®**



| <b>Part No.</b> | <b>Description</b> |
|-----------------|--------------------|
| FC572           | Bearing Cup        |
| FC580           | Bearing Cone       |
| FC592A          | Bearing Cup        |
| FC594A          | Bearing Cone       |
| FC653           | Bearing Cup        |
| FC663           | Bearing Cone       |
| 63062RS         | Pilot Bearing      |
| FCHM212011      | Bearing Cup        |
| FCHM212049      | Bearing Cone       |
| FCHM218210      | Bearing Cup        |
| FCHM218248      | Bearing Cone       |
| FCHM518410      | Bearing Cup        |
| FCHM518445      | Bearing Cone       |
| FCSET413        | 212011/212049      |
| FCSET414        | 218210/218248      |
| FCSET415        | 518445/518410      |

**STEMCO SETS:**

| <b>Part No.</b> | <b>Description</b>            |
|-----------------|-------------------------------|
| A212011         | Bearing Cup                   |
| A212049         | Bearing Cone                  |
| A218210         | Bearing Cup                   |
| A218248         | Bearing Cone                  |
| A518445         | Bearing Cone                  |
| A572            | Bearing Cup                   |
| A580            | Bearing Cone                  |
| A594A           | Bearing Cone                  |
| A663            | Bearing Cone                  |
| ASET049-011     | Bearing Set HM212011/HM212049 |
| ASET248-210     | Bearing Set HM218210/HM218248 |
| ASET3782-20     | Bearing Set 3782 / 3720       |
| ASET445-410     | Bearing Set HM518410/HM518445 |
| ASET580-72      | Bearing Set K580 / K572       |
| ASET594A-92A    | Bearing Set K594A / K592A     |
| ASET663-53      | Bearing Set 663 / 653         |

| <b>Part No.</b> | <b>Description</b> |
|-----------------|--------------------|
| 02420T          | Bearing Cup        |
| 14125AT         | Bearing Cone       |
| 15123T          | Bearing Cup        |
| 25520T          | Bearing Cup        |
| 28622T          | Bearing Cup        |
| 3720T           | Bearing Cup        |
| 382AT           | Bearing Cup        |
| 39520T          | Bearing Cup        |
| 45220T          | Bearing Cup        |
| 47620T          | Bearing Cup        |
| 47686T          | Bearing Cone       |
| 555ST           | Bearing Cone       |
| 567T            | Bearing Cone       |
| 575T            | Bearing Cone       |
| 582T            | Bearing Cone       |
| 593T            | Bearing Cone       |
| 594T            | Bearing Cone       |
| 6420T           | Bearing Cup        |
| 653T            | Bearing Cup        |
| 665AT           | Bearing Cone       |
| HM212011T       | Bearing Cup        |
| HM212047T       | Bearing Cone       |
| HM218210T       | Bearing Cup        |
| HH506310T       | Bearing Cup        |
| HM516410T       | Bearing Cup        |
| HM518410T       | Bearing Cup        |
| L68111T         | Bearing Cup        |
| LM67010T        | Bearing Cup        |

**TIMKEN®**



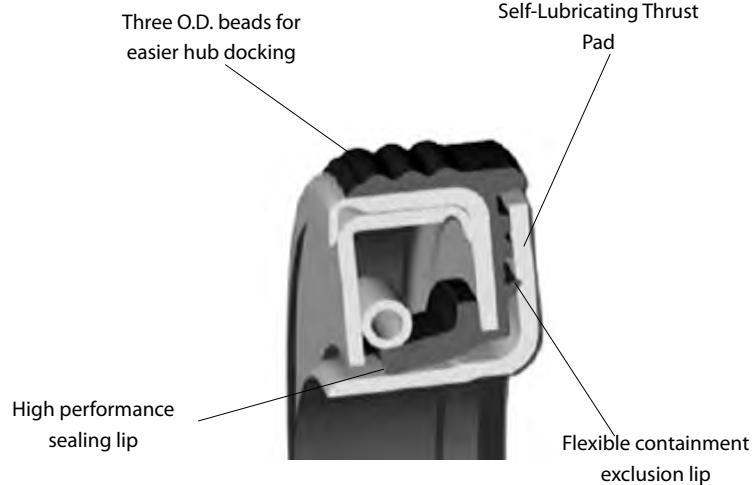
**TIMKEN®**



| <b>Part No.</b> | <b>Description</b> |
|-----------------|--------------------|
| 02475T          | Bearing Cone       |
| 14276T          | Bearing Cup        |
| 15245T          | Bearing Cup        |
| 25580T          | Bearing Cup        |
| 28682T          | Bearing Cone       |
| 3782T           | Bearing Cone       |
| 387AT           | Bearing Cone       |
| 39590T          | Bearing Cone       |
| 45280T          | Bearing Cone       |
| 47679T          | Bearing Cone       |
| 552AT           | Bearing Cup        |
| 563T            | Bearing Cup        |
| 572T            | Bearing Cup        |
| 580T            | Bearing Cone       |
| 592AT           | Bearing Cup        |
| 594AT           | Bearing Cone       |
| 598AT           | Bearing Cone       |
| 6461AT          | Bearing Cone       |
| 663T            | Bearing Cone       |
| T119            | Thrust Bearing     |
| HM212049T       | Bearing Cone       |
| HM212049XT      | Bearing Cone       |
| HM218248T       | Bearing Cone       |
| HH506348T       | Bearing Cone       |
| HM516449CT      | Bearing Cone       |
| HM518445T       | Bearing Cone       |
| L68149T         | Bearing Cone       |
| LM67048T        | Bearing Cone       |



## STEMCO GUARDIAN HP SEAL



### Stemco Guardian HP Interchange

| GUARDIAN® HP    | STEMCO   | SKF   | SKF PLUS | SKF LONGLIFE | NATIONAL RED | NATIONAL GOLD | TRISEAL |
|-----------------|----------|-------|----------|--------------|--------------|---------------|---------|
| <b>307-0713</b> | 372-7098 | 40136 | 40133    | 40146        | 370036A      | 380036A       | 65261U  |
| <b>307-0723</b> | 372-7099 | 42623 | 42623    | 42631        | 370065A      | 380065A       | 65262U  |
| <b>307-0743</b> | 372-7097 | 46305 | 46304    | 46308        | 370025A      | 380025A       | 65060U  |
| <b>308-0836</b> | 382-8036 | 35066 | 35059    | 35102        | 370001A      | 380001A       | 65263U  |
| <b>308-0864</b> | 382-8064 | 43764 | 43763    | N/A          | 370048A      | 380048A       | 65092U  |
| <b>309-0903</b> | 392-9094 | 45099 | 45097    | 45108        | 370022A      | 380022A       |         |
| <b>309-0904</b> | 392-9112 | 42672 | 42671    | N/A          | 370031A      | 380031A       | 65071U  |
|                 | 392-9130 |       |          |              |              |               |         |
| <b>309-0973</b> | 392-9131 | 47697 | 47695    | 47693        | 370003A      | 380003A       | 65156U  |



#### Technologically Advanced Seal

Guardian® HP has been developed for extra protection and greater sealing with its high performance sealing lip and superior contamination exclusion. The rubber outer diameter allows for faster hub cleaning with less corrosion damage to the hub.

#### Single-Step, Error-Proof Installation

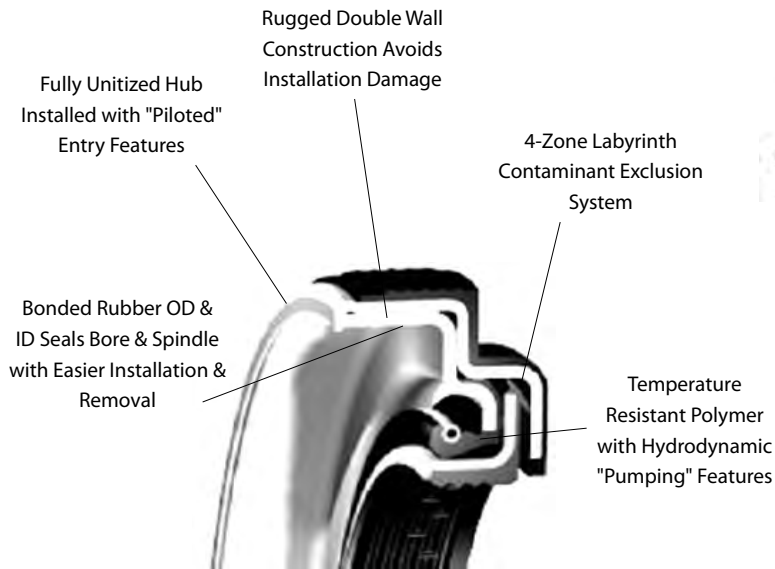
Installation right on the axle instead of the hub bore assures positive alignment every time with virtually error-proof installation. There's no tool impact on the seal causing damage or installation-related failures. Guardian® HP is easy to remove and service, with no bearings damaged during seal removal.

#### Trailer and Axle OEM Standard Seal

Guardian® HP is the OEM seal of choice in the heavy duty trailer industry with over 25 years of proven success. The enhanced seal features offer improved cost-per-mile performance in addition to simple, one-step axle installation.



## STEMCO VOYAGER SEAL CROSS REFERENCE



  
**STEMCO**<sup>®</sup>

**Voyager**<sup>®</sup>



### Voyager<sup>®</sup> Interchange

| VOYAGER <sup>®</sup> | SKF   | SKF PLUS | NATIONAL RED | NATIONAL GOLD | TRISEAL |
|----------------------|-------|----------|--------------|---------------|---------|
| 373-0113             | 40136 | 40133    | 370036A      | 380036A       | 65261U  |
| 373-0123             | 42623 | 42622    | 370065A      | 380065A       | 65262U  |
| 373-0143             | 46305 | 46304    | 370025A      | 380025A       | 65060U  |
| 373-0144             | 43752 | 43754    | 370037A      | N/A           | 65298U  |
| 373-0191             | 42624 | N/A      | 370107A      | N/A           | N/A     |
| 383-0101             | 40086 | 40088    | 370066A      | N/A           | N/A     |
| 383-0136             | 35066 | 35059    | 370001A      | 380001A       | 65263U  |
| 383-0139             | 39988 | 39977    | 370033A      | N/A           | 65294U  |
| 383-0153             | 44922 | 44919    | 370124A      | N/A           | 65000U  |
| 383-0156             | 45103 | 45102    | 370131A      | 380131A       | 65078U  |
| 383-0164             | 43764 | 43763    | 370048A      | 380048A       | 65092U  |
| 383-0166             | 28758 | N/A      | 370150A      | N/A           | N/A     |
| 383-0171             | 36358 | 36357    | 370011A      | N/A           | N/A     |
| 383-0175             | N/A   | 23590    | 370199A      | N/A           | N/A     |
| 383-0176             | N/A   | 29480    | 370211A      | N/A           | N/A     |
| 393-0103             | 45099 | 45097    | 370022A      | 380022A       | N/A     |
| 393-0104             | 42672 | 42671    | 370031A      | 380031A       | 65071U  |
| 393-0112             | 38780 | 38779    | 370023A      | 380023A       | 65152U  |
| 393-0115             | 38750 | N/A      | 370024A      | N/A           | N/A     |
| 393-0134             | 48690 | N/A      | 370195A      | N/A           | N/A     |
| 393-0148             | 52658 | N/A      | 370069A      | 380069A       | 65030U  |
| 393-0173             | 47697 | 47695    | 370003A      | 380003A       | 65156U  |

#### Simpler, Quicker Installations

The Voyager<sup>®</sup> seal features a bonded rubber OD and piloted entry ensuring an easy and square installation.

#### Reduce Premature Failures and Rework

The Voyager<sup>®</sup> seal utilizes a 4-zone labyrinth contaminant exclusion system.

#### Avoid Seal Damage Upon Installation

The Voyager<sup>®</sup> seal's thick wall steel construction allows positive hub installation without warping or bending the seal.

#### Increase Reliability through Superior Material and Design

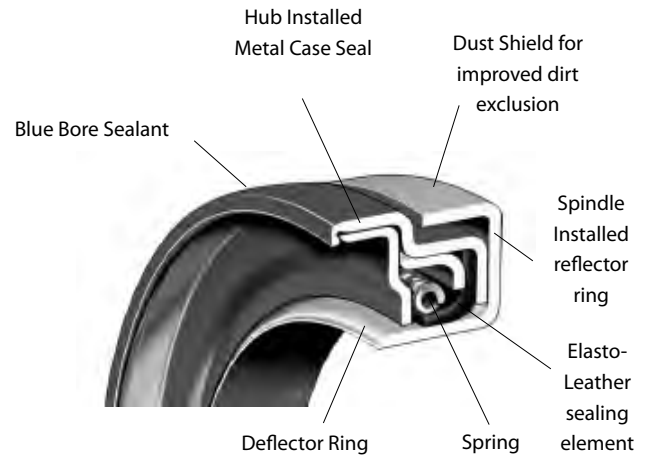
The temperature-resistant polymer with hydrodynamic "pumping" features keeps the lubricant where it is intended to be.

#### Eliminate "Pry-Bar" Removal and Adjacent Component Damage

#### Superior Contamination Resistance



## STEMCO GRIT GUARD



### STEMCO GRIT GUARD INTERCHANGE

| GRIT GUARD®     | SKF   | SKF PLUS | NATIONAL     | TRISEAL |
|-----------------|-------|----------|--------------|---------|
| <b>372-7095</b> | 43753 | 43752    | 370037A      | 69599   |
| <b>372-7097</b> | 46305 | 46304    | 370025A (38) | 69598   |
| <b>372-7098</b> | 40136 | 40133    | 370036A (38) | 69597   |
| <b>372-7099</b> | 42623 | 42622    | 370065A (38) | 69596   |
| <b>392-9088</b> | 45160 | 45158    | 370021A      | 69791   |
| <b>392-9089</b> | 52664 | 52658    | 370069A (38) | 69781   |
| <b>392-9094</b> | 45099 | 45097    | 370022A (38) | 70796   |
| <b>392-9096</b> | 43860 | 43861    | 370019A      | 69797   |
| <b>392-9099</b> | 38780 | 38779    | 370023A (38) | 69794   |
| <b>392-9112</b> | 42672 | 42671    | 370031A (38) | 69788   |
| <b>392-9130</b> | 42672 | 42671    | 370031A (38) | 69788   |
| <b>392-9131</b> | 47697 | 47695    | 370003A (38) | 69799   |
| <b>392-9132</b> | 47690 | N/A      | 370005A      | 69757   |

#### Dirt Exclusion for Extended Seal Performance

A two-piece design, the Grit Guard® Seal features a spindle-installed deflector ring. This provides dirt exclusion for extended seal performance and insures a new surface for the sealing lip. The deflector ring can often repair a damaged or worn spindle shoulder.

#### Superior Quality Metal Case Seal

The hub-installed metal case seal provides a metal-to-metal continuous press fit between the seal and hub. In addition, a blue bore sealant is applied to the seal to prevent minor seepage between the seal and hub.

#### Flexible and Durable Elasto-Leather Seal

Grit Guard's Elasto-Leather sealing lip remains flexible and durable even while operating in the most grueling environments. Also, the lip rotates on the deflector ring for improved heat dissipation and less lip travel per wheel rotation.

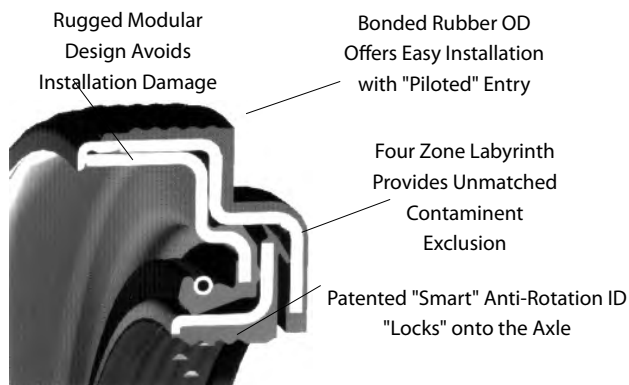
#### Weathering the Toughest Applications

Grit Guard® is available for the rugged, severe duty applications that other seals are not available for.



## STEMCO DISCOVER SEALS

Discover® Seals.  
Hub Installed. Unitized Design  
Minimizing Costs by Exceeding the Industries' Best.



| DISCOVER® | SKF   | SKF PLUS | SKF LONGLIFE | NATIONAL RED | NATIONAL GOLD | TRISEAL |
|-----------|-------|----------|--------------|--------------|---------------|---------|
| 373-0213  | 40136 | 40133    | 40146        | 370036A      | 380036A       | 65261U  |
| 373-0223  | 42623 | 42622    | 42631        | 370065A      | 380065A       | 65262U  |
| 373-0243  | 46305 | 46304    | 46308        | 370025A      | 380025A       | 65060U  |
| 383-0236  | 35066 | 35059    | 35102        | 370001A      | 380001A       | 65263U  |
| 383-0239  | 39988 | 39977    | 39990        | 370033A      | N/A           | 65294U  |
| 383-0264  | 43764 | 43769    | N/A          | 370048A      | 380048A       | 65092U  |
| 393-0203  | 45099 | 45097    | 45108        | 370022A      | 380022A       | N/A     |
| 393-0204  | 42672 | 42671    | N/A          | 370031A      | 380031A       | 65071U  |
| 393-0212  | 38780 | 38779    | 38783        | 370023A      | 380023A       | 65152U  |
| 393-0273  | 47697 | 47695    | 47693        | 370003A      | 380003A       | 65156U  |

### Increase the Performance Expectations of Wheel Ends

The Discover® seal features a high temperature elastomeric co-polymer sealing element.

### Maintain the Lubricant's Integrity to Lengthen the Life of the Seal

The premium sealing element is protected by a four-zone labyrinth to provide unmatched contaminant exclusion and performance.

### Have Complete Confidence During the Installation Stage

Discover® seal's piloted entry allows an easy and square installation every time.

Reduce Removal Time and Effort Without Special Tools or Adjacent Component Damage

The Discover® seal consists of a bonded, ribbed rubber OD and ID for easier removals, yet STEMCO's patented "SMART" anti-rotation features insure positive positioning and locking of the seal to the spindle.

## STEMCO PINION SEALS

Easy Installation / Repair Sleeves Not Required / Eliminate Yoke Wear / Repair "Grooved" Yokes  
Eliminate Leak Paths / Reduce Contamination Failures / Long-Life Performance.

| Part #   | Interchanges                     | Application           | Tool#    |
|----------|----------------------------------|-----------------------|----------|
| 429-0002 | CR34822,34891 National 415991N   | Mack Front (Input)    | 551-5360 |
| 429-0003 | CR26373,26378 National 9773      | Eaton 400 Rear Input  | 551-5001 |
| 429-0004 | CR26200,26239 National 475003N   | Eaton 400 Front Input | 551-5003 |
| 429-0005 | CR29865/7,30007 National 415281N | Meritor SQ100 Front   | 551-5004 |
| 429-0006 | CR29292,29322 National 475012N   | Eaton 402 Front Input | 551-5002 |
| 429-0007 | CR32385/397/410 National 416470N | Meritor R145/160 Ft   | 551-5006 |
| 429-0008 | CR27295,27558 National 475322N   | Mack Front            | 551-5007 |
| 429-0009 | CR27542,27565 National 415272N   | Mack Rear (Output)    | 551-5008 |
| 429-0010 | CR30145,30153 National 100263    | Meritor SQ100 Rear    | 551-5009 |
| 429-0011 | CR32870 National 4544V           | Meritor RT 180, 380   | 551-5011 |
| 429-0012 | CR29528 Eaton Front & Rear       | 344, 404, 405, 454    | 551-5012 |





## SKF SCOTSEAL FAMILY INTERCHANGES



# SKF®



## SCOTSEAL® SCOTSEAL® PLUS XL

Proven as a standard in the heavy duty industry, SKF Scotseal units are available in a range of designs suited to the varying customer application requirements.

The range begins with the SKF Scotseal Classic for normal severity. For higher sealing demands SKF Scotseal Longlife and SKF Scotseal Plus XL are the designs of choice.

All use a fully enclosed cassette design (unitized design) with specially developed elastomer materials and multiple sealing lip geometries to provide excellent life and reliability in the operating conditions they are designed for.

### Features

- Unitized design (seal and wear sleeve supplied as a non-separable unit)
- Enhanced dirt exclusion
- Specially formulated elastomeric materials, compatible with mineral and synthetic lubricants
- Sizes for a number of the most common wheel hub/axle combinations
- Capability to retain oil or grease

### Benefits

- High fluid compatibility with oil additive packages
- Wide temperature ranges
- Long service life – increased reliability

# SKF®



## SKF SEALS

# SKF®



| Scotseal<br>Classic | Scotseal<br>Plus XL | National | National<br>5 Star | Stemco Guard<br>G.G. Wheel Sets | Stemco<br>(Seal w/Ring) | Stemco<br>Voyager | TRISAL |
|---------------------|---------------------|----------|--------------------|---------------------------------|-------------------------|-------------------|--------|
| <b>CR27438</b>      | --                  | --       | --                 | --                              | --                      | 382-8016--        |        |
| <b>CR28758</b>      | <b>CR28759</b>      | 370150A  | -                  | 308-0866                        | (2164/1008)             | 383-0166          | -      |
| -                   | <b>CR29480</b>      | 370211A  | -                  | -                               | -                       | -                 | -      |
| <b>CR28820</b>      | --                  | --       | --                 | --                              | --                      | --                | --     |
| <b>CR31281</b>      | -                   | -        | -                  | -                               | -                       | -                 | -      |
| <b>CR35000</b>      | <b>CR34994</b>      | 370169A  | -                  | 392-9036                        | (2057/1063)             | -                 | -      |
| <b>CR35066</b>      | <b>CR35058</b>      | 370001A  | 380001A            | 308-0836                        | (2702/1702)             | 383-0136          | 65263U |
|                     |                     |          |                    | 382-8036                        | (2036/1036)             |                   |        |
| <b>CR38750</b>      | -                   | 370024A  | -                  | 309-0915                        | (2102/1091)             | 393-0115          | -      |
|                     |                     |          |                    | 392-9099                        | (2102/1501)             |                   |        |
|                     |                     |          |                    | 309-0912                        | (2707/1707)             |                   |        |
| <b>CR38780</b>      | <b>CR38776</b>      | 370023A  | 380023A            | 392-9099                        | (2102/1501)             | 393-0112          | 65152U |
|                     |                     |          |                    |                                 | (2102/1091)             |                   |        |
| <b>CR39988</b>      | <b>CR39979</b>      | 370033A  | -                  | 382-8039                        | (2039/1038)             | 383-0139          | 65294U |
| w/CR456301          | w/CR456301          | w/AR-12  |                    | 382-8023                        | (2039/1011)             |                   |        |
| <b>CR40086</b>      | <b>CR40091</b>      | 370066A  | -                  | 382-8001                        | (2086/1013)             | 383-0101          | -      |
|                     |                     |          |                    |                                 | (2704/1704)             |                   |        |
| <b>CR40136</b>      | <b>CR40129</b>      | 370349A  | 380036A            | 307-0713                        | (2109/1507)             | 373-0113          | 65261U |
|                     |                     | 370036A  |                    | 372-7098                        | (2109/1013)             |                   |        |
|                     |                     |          |                    |                                 | (2023/1503)             |                   |        |
| <b>CR42623</b>      | <b>CR42627</b>      | 376590A  | 380065A            | 307-0723                        | (2705/1705)             | 373-0123          | 65262U |
|                     |                     | 370065A  | 385690A            | 372-7099                        | (2023/1023)             |                   |        |
| <b>CR42672</b>      | <b>CR42673</b>      | 370031A  | 380031A            | 309-0904                        | (2718/1705)             | 393-0104          | 65071U |
|                     |                     |          |                    | 392-9090                        | (2213/1515)             |                   |        |
|                     |                     |          |                    |                                 | (2709/1709)             |                   |        |
| <b>CR43752</b>      | <b>CR43754</b>      | 370338A  | -                  | 307-0744                        | (2118/1510)             | 373-0144          | 65298U |
|                     |                     | 370037A  |                    | 372-7095                        | (2118/1037)             |                   |        |
| <b>CR43764</b>      | <b>CR43761</b>      | 370182A  | 380048A            | 308-0864                        | (2711/1711)             | 383-0164          | 65092U |
|                     |                     | 370048A  |                    | 382-8064                        | (2137/1037)             |                   |        |
| <b>CR45099</b>      | <b>CR45093</b>      | 370022A  | 380022A            | 392-9094                        | (2129/1511)             | 393-0103          | --     |
|                     |                     |          |                    |                                 | (2129/1093)             |                   |        |
|                     |                     |          |                    | 308-0855                        | (2710/1710)             |                   |        |
| <b>CR45103</b>      | <b>CR45095</b>      | 370131A  | 380131A            | 308-0856                        | (2710/1706)             | 383-0156          | 65078U |
|                     |                     |          |                    | 382-8056                        | (2199/1093)             |                   |        |
|                     |                     |          |                    | 309-0964                        | (2712/1712)             |                   |        |
| <b>CR45160</b>      | <b>CR45157</b>      | 370021A  | -                  | 392-9088                        | (2113/1517)             | -                 | 65172U |
|                     |                     |          |                    |                                 | (2113/1093)             |                   |        |
|                     |                     |          |                    |                                 | (2710/1701)             |                   |        |
| <b>CR46305</b>      | <b>CR46300</b>      | 370025A  | 380025A            | 307-0743                        | (2110/1504)             | 373-0143          | 65060U |
|                     |                     |          |                    | 372-7097                        | (2110/1048)             |                   |        |
|                     |                     |          |                    | 309-0973                        | (2703/1703)             |                   |        |
| <b>CR47697</b>      | <b>CR47692</b>      | 370003A  | 380003A            | 392-9098                        | (2106/1502)             | 393-0173          | 65156U |
|                     |                     |          |                    |                                 | (2106/1111)             |                   |        |
| <b>CR47699</b>      | -                   | 370006A  | 380003A            | 309-0970                        | -                       | 392-9087          | -      |
| <b>CR48690</b>      | -                   | 370195A  | -                  | 392-9034                        | -                       | 393-0134          | -      |

\*Guard - (Guardian / G.G. - (Grit Guard)

# SKF®



## NATIONAL SEALS

•**National® Oil Seals** delivers premium-quality, no-compromise solutions for every wheel end repair.

•Engineered for performance, these seals provide the ideal combination of technology and coverage to meet O.E. configurations for virtually all applications.

•Featuring exclusive **National® Dynamic Edge® technology**, a patent-pending innovation on 37-series seals that deflects contaminants from the seal and other wheel-end components.

# National®



| <b>Part No.</b> | <b>Description</b> | <b>SKF Cross</b>    | <b>Stemco Cross</b> |
|-----------------|--------------------|---------------------|---------------------|
| <b>370001A</b>  | 37 Series Oil Seal | 35058, 35066        | 308-0836, 382-8036  |
| <b>370003A</b>  | 37 Series Oil Seal | 47692, 47697        | 392-9131, 393-0273  |
| <b>370005A</b>  | 37 Series Oil Seal | 48002               | 309-0960, 392-9132  |
| <b>370014A</b>  | 37 Series Oil Seal | 31281               | -                   |
| <b>370021A</b>  | 37 Series Oil Seal | 45160               | 392-9088            |
| <b>370022A</b>  | 37 Series Oil Seal | 45093, 45099        | 392-9094, 393-0104  |
| <b>370023A</b>  | 37 Series Oil Seal | 38776, 38780        | 309-0912, 392-9099  |
| <b>370025A</b>  | 37 Series Oil Seal | 46300, 46305        | 372-7097, 373-0143  |
| <b>370031A</b>  | 37 Series Oil Seal | 42672, 42673        | 392-9112, 393-0104  |
| <b>370036A</b>  | 37 Series Oil Seal | 40129, 40136        | 307-0713, 372-7098  |
| <b>370037A</b>  | 37 Series Oil Seal | 43752, 43753        | 307-0744            |
| <b>370047A</b>  | 37 Series Oil Seal | 34384, 34386, 34387 | 309-0935            |
| <b>370048A</b>  | 37 Series Oil Seal | 43761, 43764        | 382-8064, 308-0864  |
| <b>370065A</b>  | 37 Series Oil Seal | 42623, 42627        | 372-0223, 372-7099  |
| <b>370120A</b>  | 37 Series Oil Seal | 55177               | 392-9053            |
| <b>370131A</b>  | 37 Series Oil Seal | 45103               | 382-8056, 383-0156  |
| <b>370132A</b>  | 37 Series Oil Seal | 34971, 34975        | 382-8063, 308-0863  |
| <b>370150A</b>  | 37 Series Oil Seal | 28758, 28759        | 308-0866, 382-8066  |
| <b>370169A</b>  | 37 Series Oil Seal | 34994               | 392-9036            |
| <b>370182A</b>  | 37 Series Oil Seal | 43761, 43764        | 382-8063 383-0164   |
| <b>370199A</b>  | 37 Series Oil Seal | 23590               | 383-0175            |
| <b>370211A</b>  | 37 Series Oil Seal | 29480               | 383-0176            |
| <b>370212A</b>  |                    |                     |                     |
| <b>370219A</b>  | 37 Series Oil Seal | -                   | -                   |
| <b>376590A</b>  | 37 Series Oil Seal | 42623, 42627        | -                   |



### National Teflon Oil Seals

| <b>Part No.</b> | <b>Description</b> | <b>SKF Cross (Scotseal XL)</b> | <b>Stemco Cross</b>          |
|-----------------|--------------------|--------------------------------|------------------------------|
| <b>380001A</b>  | 38 Series Oil Seal | 35058                          | 382-8036, 308-0836           |
| <b>380003A</b>  | 38 Series Oil Seal | 47692                          | 392-9131, 309-0973           |
| <b>380022A</b>  | 38 Series Oil Seal | 45093                          | 392-9094, 309-0903           |
| <b>380023A</b>  | 38 Series Oil Seal | 38776                          | 392-9099                     |
| <b>380025A</b>  | 38 Series Oil Seal | 46300                          | 372-7097, 307-0743           |
| <b>380031A</b>  | 38 Series Oil Seal | 42673                          | 392-9112, 309-0904           |
| <b>380036A</b>  | 38 Series Oil Seal | 40129                          | 372-7098, 372-7003, 392-9032 |
| <b>380048A</b>  | 38 Series Oil Seal | 43761                          | 308-0864                     |
| <b>380065A</b>  | 38 Series Oil Seal | 42627                          | 372-7099, 307-0723           |





## TRISEAL SEALS

# TRISEAL MVP LEATHER SERIES



## FEATURES

1. Lay down polymer impregnated leather lip performs better in difficult and harsh conditions. (-65°F, -55°C / 170°F, 77°C)
2. Oversized double-walled, reinforced metal OD, and galvanized inner and outer cases.
3. Additional corrosion proof contaminant exclusion wiper.
4. Standard service and HD Severe Service sleeves available.
5. Designed for installation with commercial grade tools and patented Insta-Tool® disposable tools.
6. Meets or exceeds performance and warranty features of Stemco's Grit Guard series.



## BENEFITS

1. Outperforms nitrile seals in cold and contaminated environments. Performs well with all natural & synthetic oils and greases. Embeddable seal lip absorbs grit.
2. Oversized metal OD directs heat transfer away from lip into the hub bore. Galvanized inner and outer cases are corrosion proof and coated with black bore sealant.
3. Additional contaminant wiper— a value added feature not offered by competitive models.
4. Severe Service sleeve protects the hub from damage during seal removal and provides a new running surface for worn or damaged axle spindles.
5. Seal and Sleeves are compatible with competitor's 2-piece installation tools. Insta-Tool® is perfect for DIYs, service trucks, and small fleets.

## TRISEAL MVP SEALS

| Part No. | Application                           | SKF Cross | Stemco Cross | National |
|----------|---------------------------------------|-----------|--------------|----------|
| 65071    | Mack drive - Unitized                 | 42672     | 309-0904     | 370031A  |
| 65060U   | Trailer seal - Unitized               | 46305     | 307-0743     | 370025A  |
| 65156U   | Drive axle - Unitized                 | 47697     | 309-0973     | 370003A  |
| 65262U   | Trailer seal - Unitized               | 42623     | 307-0723     | 370065A  |
| 65263U   | Steer axle - Unitized                 | 35066     | 308-0836     | 370001A  |
| 65556    | Drive axle - Premium (Hand Install)   | 47691     | 309-0973     | 370003A  |
| 65560    | Trailer axle - Premium (Hand Install) | 46300     | 307-0743     | 370025A  |
| 65562    | Trailer axle - Premium (Hand Install) | 42627     | 307-0723     | 370065A  |
| 65563    | Steer axle - Premium (Hand Install)   | 43761     | 308-0836     | 370001A  |
| 70596    | Trailer axle - Leather                | 42623     | 372-7099     | 370065A  |
| 70598    | Trailer seal - Leather                | 46305     | 372-7097     | 370025A  |
| 70799    | Drive axle - Leather                  | 42697     | 392-9131     | 370003A  |





**STEMCO HUB CAP PREFIXES FOR TYPES OF HUBCAPS**

| PreFix         | Description   |
|----------------|---|
| <b>340/300</b> | Standard cast aluminum without side fill                |
| <b>342-</b>    | Cast aluminum dirt exclusion grease.                    |
| <b>343/303</b> | Cast aluminum with side fill and red plug.              |
| <b>347-</b>    | Cast aluminum with hub mounting hole and vent           |
| <b>348-</b>    | Cast aluminum Sentinel® oil with side fill.             |
| <b>349-</b>    | Cast aluminum Sentinel® grease without side fill.       |
| <b>352-</b>    | Cast aluminum with solid top, grease without side fill. |
| <b>356-</b>    | Integrated Sentinel® hub cap, oil.                      |
| <b>358-</b>    | Integrated Sentinel® hub cap, grease.                   |
| <b>368-</b>    | Defender™ hub cap, composite.                           |



**STEMCO POPULAR HUB CAPS LISTING (WE STOCK MANY MORE!)**

| Part No.        | Description                                 |
|-----------------|---|
| <b>300-4009</b> | Standard 6 hole hub cap without oil port.   |
| <b>340-4013</b> | Standard 5 hole hub cap without oil port.   |
| <b>340-4019</b> | Standard 3 hole hub cap without oil port.   |
| <b>340-4024</b> | 6 hole hub cap w/o oil port, 3.5id, 5.25od  |
| <b>340-4075</b> | Screw on hub cap.                           |
| <b>340-4095</b> | 6 hole hub cap w/o oil port, 4.56id, 6.19od |
| <b>340-4195</b> | 6 hole hub cap w/o oil port, 5.44id, 7.5od  |
| <b>340-4370</b> | 6 hole PSI for grease. 5.5" bolt centers    |
| <b>340-4372</b> | 6 hole PSI for grease. 6.5" bolt centers    |
| <b>340-4975</b> | 6 hole screw on.                            |
| <b>340-5096</b> | 6 hole for grease, steel, vented.           |

| Part No.        | Description                                  |
|-----------------|--|
| <b>303-4009</b> | Standard 6 hole hub cap with oil port.       |
| <b>343-4013</b> | Standard 5 hole hub cap with oil port.       |
| <b>343-4019</b> | Standard 3 hole hub cap with oil port.       |
| <b>343-4024</b> | 6 hole hub cap with oil port, 3.5id, 5.25od  |
| <b>343-4195</b> | 6 hole hub cap with oil port, 5.44id, 7.5od  |
| <b>343-4249</b> | 6 hole hub cap with oil port, 4.44id, 5.19od |
| <b>343-4370</b> | 6 hole PSI for oil. 5.5" bolt centers        |
| <b>343-4372</b> | 6 hole PSI for oil. 6.75" bolt centers       |

**342-4009** 6 hole, dirt exclusion, with gasket.  
**342-4195** 6 hole, dirt exclusion, for grease.

**348-4009** Sentinel® 6 hole for oil, 5.5" bolt circle.  
**349-4009** Sentinel® 6 hole for grease, 5.5" bolt circle.

**352-4009** Grease 6 hole hub cap, 5.5 b.c., vented.  
**352-4195** Grease 6 hole hub cap, 6.75 b.c vented.



**300-4009**  
6 hole cap  
w/o oil port



**340-4075**  
Screw on  
cap



**340-5096**  
Stemco Vented  
Steel Cap



**342-4009**  
6 hole dirt  
exclusion



**348-4009**  
Sentinel®  
6 hole for oil



**352-4195**  
6 hole grease  
alum cap

**STEMCO SENTINEL® POPULAR HUBCAPS**

Sentinel® Hub Caps provide a tamper-proof hub cap system for maximum protection and maintenance-free performance. The **Integrated Sentinel®** Hub Cap is a tamper-proof hubcap that integrates the Sentinel features into the window with few components and greater wheel end visibility. **The Defender™** composite hubcap is ultra-durable, corrosion free, available with Sentinel technology.



| Part No.                    | Description                        |
|-----------------------------|------------------------------------|
| <b>348-4009</b>             | 6 hole, 5.5" bolt circle, oil.     |
| <b>349-4009</b>             | 6 hole, 5.5" bolt circle, grease.  |
| <b>Integrated Sentinel®</b> |                                    |
| <b>356-4009</b>             | 6 hole, 5.5" bolt circle, oil.     |
| <b>358-4009</b>             | 6 hole, 5.5" bolt circle, grease.  |
| <b>358-4195</b>             | 6 hole, 6.75" bolt circle, grease. |
| <b>Defender Sentinel®:</b>  |                                    |
| <b>368-4009</b>             | 6 hole, 5.5" bolt circle, grease.  |
| <b>368-4195</b>             | 6 hole, 6.75" bolt circle, grease. |

**Sentinel ESP™ Extended Service Hubcap Plug**  
 Fits all other Stemco caps using 359-5990 plug.  
**Part No. 359-6125**



**Sentinel Drive Axle Plug**  
**Part No. 359-6137**





**STEMCO HUBCAP COMPONENT PARTS**

| Window Diameter | Window                | Gasket   | Window Ring           | Window Ring Gasket | Vent Plug             | Screw Set of 6        | Window Kit <sup>1</sup> |
|-----------------|-----------------------|----------|-----------------------|--------------------|-----------------------|-----------------------|-------------------------|
| 2-3/4           | 359-5983              | 359-5996 | 359-5997 <sup>3</sup> | 359-3136           | 359-5990 <sup>4</sup> | 359-6032              | <b>359-5999</b>         |
| 3-1/2           | 359-5994              | 359-5991 | 359-5992              | 359-3127           | 359-5990 <sup>4</sup> | 359-6032              | <b>359-5995</b>         |
| 3-1/2           | 359-5981 <sup>5</sup> | 359-5991 | 359-5992              | 359-3127           | None                  | 359-6032              | 359-6117                |
| 4-3/8           | 359-5918              | 359-5968 | 359-5970              | 359-3137           | <b>359-5915</b>       | 359-6032 <sup>7</sup> | <b>359-5912</b>         |
| 3-1/2           | 359-6049 <sup>6</sup> | 359-5991 | 359-5992              | 359-3137           | <b>359-5915</b>       | 359-6032              | 359-6100 <sup>6</sup>   |

**TYPICAL 2-3/4" AND 3-1/2" WINDOW COMPONENT PARTS**

<sup>1</sup>Window kit consists of: window, gasket, window ring, gasket and vent plug.

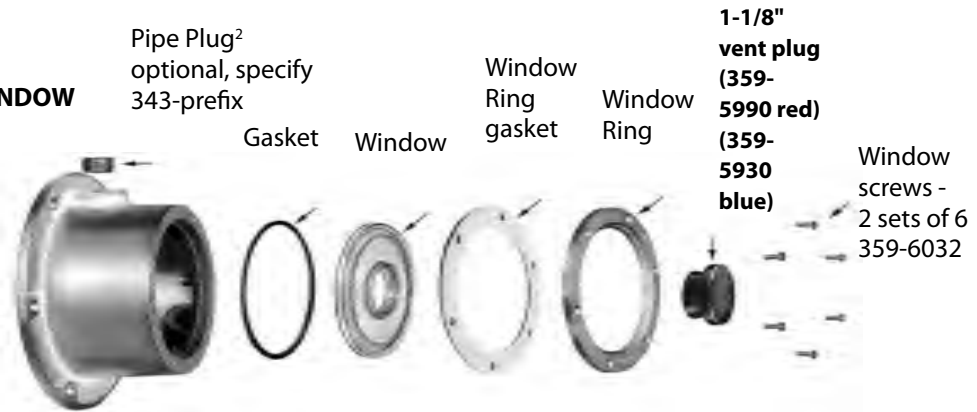
<sup>2</sup>Magnetic pipe plug part number 359-5984

<sup>3</sup>5 hole window ring.

<sup>4</sup>Blue vent plug part number 359-5930

<sup>5</sup>Window for mounting Argo, Stemco and Veeder-Root hub-odometers. Be sure hub cap has pipe plug filler before mounting.

<sup>6</sup>Window with recessed vent plug.  
<sup>7</sup>Two sets required. Gasket for 34x-4195 is 330-3118.



**TYPICAL 4-3/8" WINDOW COMPONENT PARTS**



**GASKET LISTING:**

| Part No.        | Description                          |
|-----------------|--------------------------------------|
| <b>330-3009</b> | 6 hole, for 340-4009                 |
| <b>330-3013</b> | 5 hole, for 340-4013                 |
| <b>330-3019</b> | 3 hole, for 340-4019                 |
| <b>330-3024</b> | 6 hole, for 340-4024                 |
| <b>330-3067</b> | 12 hole Universal, 5.5" bolt circle. |
| <b>330-3107</b> | 8 hole, for 340-4305                 |
| <b>330-3118</b> | 6 hole, for 340-4195                 |



**Part No. 359-6140**  
Window Kit for PSI oil hubcap



**Part No. 359-6095**  
Window Kit for Dirt Exclusion Grease Hubcap



**Large Blue Vent Plug Part No. 359-5930**



**Part No. 359-6117**  
Window Kit for Hubodometer



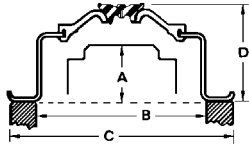
**SKF HUBCAPS****SKF HUBCAP SPECIFICATIONS**

To determine the correct hubcap for mounting, count the number of mounting holes, measure diameter of bolts, measure bolt circle (select 2 holes opposite each other and measure from the center of one bolt hole to the center of the one opposite).

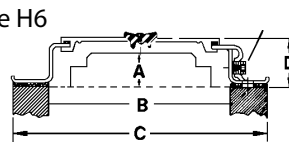
**SKF®**

| Hubcap Kit no. | Bolt Circle | Bolt Holes | Hole Size | Max Axle Ext (A) | I.D. (B) | O.D. (C) | Height (D) | Type | Hubcap Gasket no. | Hubcap Plug no. |
|----------------|-------------|------------|-----------|------------------|----------|----------|------------|------|-------------------|-----------------|
| <b>CR1343</b>  | 5.500       | 6          | .349      | 1.703            | 4.420    | 6.250    | 2.161      | TP1  | <b>CR453795</b>   | --              |
| <b>CR1399</b>  | 6.750       | 6          | .349      | 2.805            | 5.662    | 7.500    | 3.455      | TP1  | <b>CR450799</b>   | --              |
| <b>CR1612</b>  | 4.500       | 6          | .349      | 1.586            | 3.500    | 6.250    | 2.609      | TF8  | <b>CR453869</b>   | <b>CR453807</b> |
| <b>CR1613</b>  | 5.500       | 6          | .349      | 5.500            | 1.586    | 6.250    | 1.643      | TF1  | <b>CR453795</b>   | <b>CR453979</b> |
| <b>CR1643</b>  | 5.500       | 6          | .349      | 1.730            | 4.440    | 6.250    | 2.469      | TF8  | <b>CR453795</b>   | <b>CR450434</b> |
| <b>CR1644</b>  | 5.500       | 6          | .349      | 1.730            | 4.440    | 6.250    | 2.469      | TF8  | <b>CR453795</b>   | <b>CR453807</b> |
| <b>CR1696</b>  | 6.750       | 6          | .349      | 2.887            | 5.625    | 7.500    | 3.688      | TF8  | <b>CR450799</b>   | <b>CR450434</b> |
| <b>CR1703</b>  | 5.562       | 6          | .313      | 1.625            | 4.540    | 6.625    | 1.837      | H6   | <b>CR450781</b>   | <b>CR453813</b> |
| <b>CR1743</b>  | 5.500       | 6          | .313      | 1.742            | 4.525    | 6.313    | 2.683      | H3   | <b>CR453795</b>   | <b>CR450434</b> |
| <b>CR1788</b>  | 5.500       | 6          | .313      | 1.485            | 4.540    | 6.625    | 1.702      | H6   | <b>CR450788</b>   | <b>CR453813</b> |
| <b>CR1796</b>  | 6.750       | 6          | .349      | 2.887            | 5.645    | 7.500    | 3.688      | TF8  | <b>CR453799</b>   | <b>CR450434</b> |
| <b>CR1996</b>  | 5.500       | 6          | .349      | 2.805            | 5.627    | 7.500    | 3.650      | TF5  | <b>CR453795</b>   | --              |

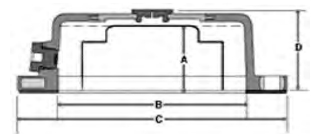
Type H3



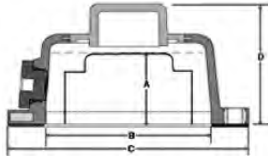
Type H6



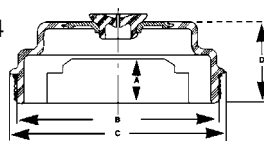
Type TF1



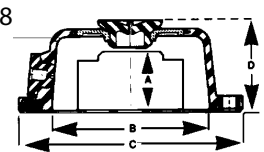
Type TF3



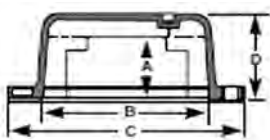
Type TF4



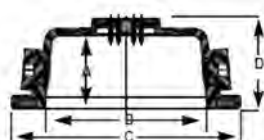
Type TF8



Type TP1



Type TF5



Combining sophisticated design and a body manufactured from DuPont's Zytel®, **SKF** TF Hubcaps resist impact damage, weather, chemicals, road salt, UV radiation, and ozone.

The various styles of **SKF** hubcaps – oil-bath, grease-packed designs, stamped steel, tamper-proof, Lexan® and PSI – are compatible with all popular lubricants, including the latest synthetics. And TF hubcaps are approved by all major OE truck and trailer manufacturers, with a growing number installing them as standard equipment.

**SKF®**



**HUBCAPS & ACCESSORIES**

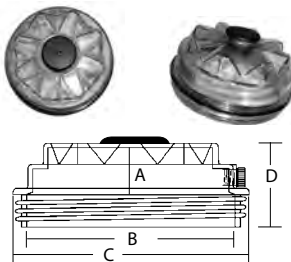
**HU009A**



**National®**

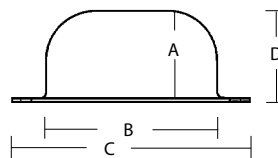
Each hub cap is packed with a premium Fel-Pro flange gasket that's engineered to prevent contamination of hub lubricants and provide protection for bearings and seals. These Fel-Pro gaskets feature a nonstick coating, which makes installation hassle-free and ensures superior sealing.

**NL1568**



**Screw-on Lexan Hub Cap** Comes with plug and ring. Similar to Propar hubcap. Interchanges to E-4075.

**NL1013**  
Steel Cap  
(Unvented)



**Grease Steel Hub Cap** for standard trailer applications where grease is needed. Specs Below.

| Hubcap Part No. | Bolt Circle | Bolt Holes | Bolt Size  | I.D. (A) | O.D. (B) | Height (D) | Gasket | Oil Port Plug | Vent Plug |
|-----------------|-------------|------------|------------|----------|----------|------------|--------|---------------|-----------|
| HU009A          | 5.500       | 6          | .313       | 2.531    | 4.375    | 2.531      | 61009  | No            | B-300     |
| NL1013          | 5.500       | 6          | .313       | 2.25     | 4.563    | 2.313      | 61009  | No            | No        |
| NL1568          | Threaded    | 6.25"X8    | OD Threads | 2.156    | 5.813    | 6.500      | 401265 | 401471        | 401237V   |

National Hubcap plug  
**Part No. B300**



**Universal Gasket**  
Multi-hole pattern makes this gasket very versatile!  
**Part No. 401526**



**6-hole Gasket**  
**Part No. 61009**  
Formerly Part Number 1011028



**Vent Plug**  
For NL1568 and other plastic caps. Black.  
**Part No. 401237V**



**O Ring**  
For NL1568 and other screw-on caps. 6" ID x 6-3/8" OD  
**Part No. 401265**



**Vent Plug**  
Standard Size (.030/.040) Red.  
**Part No. 401199**

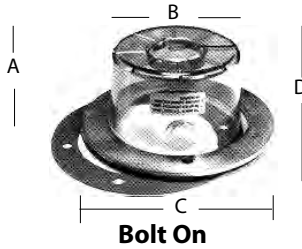


**Hub Cap Bolt**  
5/16-18x3/4 Trim Hex.  
**Part No. 1010125**





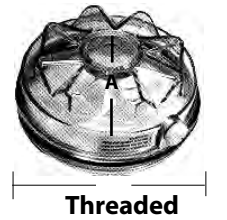
**HUBODOMETER HUB CAPS AND BRACKETS**



**Bolt On**

Clear Lexan, with gasket. Includes steel reinforcing ring. Pipe plug included.

**Window Kit for Hubodometer**  
Part No. 359-6095



**Threaded**

Screw-on cap. 6<sup>1/4</sup>" X 8 external thread, with oil port plug. Complete with O-ring.

| Hubcap Part No.               | Bolt Circle        | Bolt Holes        | Bolt Size                     | I.D. (A)           | O.D. (B)           | Height (C)        | Gasket (D)        | Oil Port Plug        |
|-------------------------------|--------------------|-------------------|-------------------------------|--------------------|--------------------|-------------------|-------------------|----------------------|
| NL1554                        | Threaded           | 6.25"X8           | OD Threads                    | 2.156              | 5.813              | 6.500             | 3.125             | 401265 401471        |
| <b>Alum Bolt on Part No.</b>  | <b>Bolt Circle</b> | <b>Bolt Holes</b> | <b>Bolt Size</b>              | <b>I.D. (A)</b>    | <b>O.D. (B)</b>    | <b>Height (C)</b> | <b>Gasket (D)</b> | <b>Oil Port Plug</b> |
| 347-4009                      | 5 <sup>1/2</sup>   | 6                 | 5/16                          | 2 <sup>11/16</sup> | 1 <sup>15/16</sup> | 4 <sup>3/8</sup>  | 6 <sup>1/4</sup>  | 641-0005 401273      |
| 347-4075                      |                    |                   | Pro-Par screw-on cap 6.25 x 8 |                    |                    |                   |                   | 330-3077             |
| <b>Lexan Bolt On Part No.</b> |                    |                   |                               |                    |                    |                   |                   |                      |
| 640-0001                      | 5 <sup>1/2</sup>   | 6                 | 5/16                          | 2 <sup>11/16</sup> | 1 <sup>15/16</sup> | 4 <sup>3/8</sup>  | 6 <sup>1/4</sup>  | 641-0005 401273      |
| 640-0003                      |                    |                   | Pro-Par screw-on cap 6.25 x 8 |                    |                    |                   |                   | 330-3077             |



**STEMCO HUBODOMETERS**

**Guaranteed Over-Life-of-Tire Accuracy**  
**Backed by 500,000-Mile Warranty**

**DATATRAC™ ELECTRONIC HUBODOMETER**  
Programmable for any tire size.  
Part No. 600-9999  
(Programmer Part No. 801-6000)



| Part Number | RPM | Typical Tire Size  |
|-------------|-----|--------------------|
| 650-0532    | 486 | 11.00-20           |
| 650-0539    | 504 | 10.00-20           |
| 650-0587    | 480 | 10.00-22 / 11-24.5 |
| 650-0598    | 500 | 10.00-20 / 11-22.5 |
| 650-0601    | 504 | 10.00R20 / 11R22.5 |
| 650-0605    | 513 | 11R22.5            |
| 650-0608    | 520 | 295 / 75R22.5      |
| 650-0610    | 522 | 10-22.5 / 10R22.5  |
| 650-0613    | 532 | 1295/75R22.5       |
| 650-0626    | 570 | 255/70R22.5 std.   |
| 650-0677    | 693 | 215/85R16          |



Mounted with 347-series Hubo Hubcap

Mounted with 640-series Hubo Hubcap

Mounted with 610-series Hubo Bracket

**Popular Hubodometer Brackets**

| Part Number | Bolt Circle Diameter               | Stud Size          | Height             |
|-------------|------------------------------------|--------------------|--------------------|
| 610-0006    | 7                                  | 5/8                | 1 <sup>11/16</sup> |
| 610-0007    | 7                                  | 3/4                | 1 <sup>11/16</sup> |
| 610-0011    | 5 <sup>1/4</sup> -7 <sup>3/4</sup> | 1/2                | 1 <sup>3/4</sup>   |
| 610-0024    | 5 <sup>1/2</sup>                   | 5/19-18 Thrd       | 4 <sup>1/2</sup>   |
| 610-0028    | 5 <sup>1/2</sup>                   | 3 legs - fits 4009 | Sent & PSI         |
| 610-0065    | 5 <sup>1/2</sup>                   | 5/16               | 3 <sup>1/2</sup>   |
| 610-0084    | 6 <sup>3/4</sup>                   | 5/16               | 5                  |



**VEEDER-ROOT HUBODOMETERS**

**VEEDER-ROOT**  
**Vehicle Products**



DIVISION OF DANAHER CONTROLS



**Don't know what kind of tire, or can't find a listing?**

Follow these simple steps for determining the hub-odometer you need:

1. Measure from ground to center of hub.  
 Try to be as accurate as possible.
2. Double this measurement (to get diameter).
3. Multiply by 3.1428. (Pi.) This will give you the circumference of the tire in inches.
4. Divide by 12. (to get feet)
5. Divide result into 5,280.

...This will give you the number of Revolutions Per Mile!!

| Ratio<br>(Face Plate Markings) | Miles<br>Part Number | Kilometers<br>Part Number |
|--------------------------------|----------------------|---------------------------|
| 475:1                          | <b>777717-475</b>    | 777727-475                |
| 490:1                          | <b>777717-490</b>    |                           |
| 494:1                          | <b>777717-494</b>    |                           |
| 500:1                          | <b>777717-500</b>    | 777727-500                |
| 510:1                          | <b>777717-510</b>    |                           |
| 5141/2:1                       | <b>777717-514</b>    | 777727-514                |
| 520:1                          | <b>777717-520</b>    |                           |
| 525:1                          | <b>777717-525</b>    |                           |
| 572:1                          | <b>777717-572</b>    |                           |
| 676:1                          | <b>777717-676</b>    |                           |

- 300,000 mile warranty
- American made since 1895

Performance when it counts!



Bracket - mounts over trailer hubcap.  
 5/16 bolt, 5.5x3.5.

**Part No. 325614-012**



- Replace your inventory with just one number!
- Programmable with tool included. Simple!
- Zinc, diecast.
- Error Free Display.
- Separate Trip, and Lifetime totals.
- Miles or Kilometers
- 5 year warranty - no mileage limitation.
- Security features include serial # viewing
- Only one moving part for increased reliability!



**Electronic Hubodometer**

One Model for any tire ever made...Or ever will be made!

**Part No. RT1000-000**





## MERITOR TIRE INFLATION SYSTEM (MTIS) BY PSI™



### How MTIS PSI Works.

Air from the trailer air supply is routed to a central control box, then into each axle. The axles act as conduits to carry air through a rotary union assembly, which distributes air to each tire, as needed.



### MTIS Features and Benefits:

#### Extends tire life

- Federal Motor Carrier Safety Administration (FMCSA) and U.S. Environmental Protection Agency (EPA) studies show a 10 percent longer tire life with tire inflation systems.
- Underinflation negatively affects both new tires and retreads.
- Continuous inflation prevents early retreading – reduces overall fleet tire costs.
- Helps preserve tire casing for maximum retreading.

#### Increases fuel economy

- Proper tire pressure means better fuel economy.
- Proven 1.4 percent average improvement in fuel economy per vehicle based on a Federal Motor Carrier Safety Administration (FMCSA) real-world study on tire inflation system.s

#### Decreases fleet maintenance costs

- Less time spent on manual pressure checking and filling.
- Longer intervals between retreads.

#### Improves safety

- Prevents underinflation, which is the leading cause of tire blowouts.
- Reduces the risk of road accidents caused by underinflation.
- Delivers real-time warnings of tire issues.

#### Reduces roadside assistance calls

- In most cases, it keeps tires inflated until the driver reaches a maintenance location, which reduces service calls and unplanned downtime.
- Reduces blowouts.

#### Provides over-the-road pressure maintenance.



#### Part Number: 3196522

MTIS Retro Kit: For tapered spindle tandem axle.(TN/TQ)

#### Kit contains:

- 1 Control box with lid
- 1 Control box bracket
- Bulk Air tubing
- Bulk Electrical cable
- Bulk Nylon tie straps
- 1 Trailer light with hardware
- 4 Through-tees with flappers and shields
- 4 Stators
- 4 Press plugs with adhesive and towlettes
- 4 Flex hoses for inside tire
- 4 Flex hoses for outside tire
- 1 Pressure protection valve
- 1 Miscellaneous fitting and hardware kit

#### Part Number: 3197522

MTIS Retro Kit:

For straight spindle (TP/TB) tandem axle. Also available.



# MERITOR



#### Part Number: 3108200

Control Box Assembly

#### Part Number: 3108328

Lid for control box.  
Includes screws and gasket





**MERITOR TIRE INFLATION SYSTEM (MTIS) COMPONENTS BY PSI™**



**Part Number: 3136300**  
Short Flex Hose Assembly  
(Outside tire) 13.50" overall.  
For wheels larger than 17.50"



**Part Number: 3131703**  
Brass Thru-Tee Assembly  
with Tee vent and shield.  
Stainless steel tube.  
For dual tire applications.  
3.50" tube length  
**Part Number: 3131704**  
SAME AS ABOVE  
6.25" tube length.

**Part Number: 3137300**  
Long Flex Hose Assembly  
(Inside tire) 17" overall length.  
For wheels larger than 17.50".  
Also for use with  
Super Single tires.



**Part Number: 3131700S**  
Brass Thru-Tee Assembly  
with Tee vent and shield.  
Stainless steel tube.  
For super single tire  
applications.  
4.25" tube length

**Part Number: 3137400**  
Flex Hose Assembly  
12.50" overall length.  
For wheels 17.50" or smaller.  
Also for use with  
Super Single tires.

**Part Number: 3131703S**  
SAME with 3.50" tube length  
**Part Number: 3131704S**  
SAME with 6.25" tube length

**Part Number: 3131421**  
Stator & Filter assembly  
1/4" NPT, threads into  
spindle plug.



**Part Number: 3220201A**  
1.75 press/spindle plug kit with  
O-ring. Includes adhesive.  
Used in TN/TQ applications.



**Number: 3126314**  
PSI Light

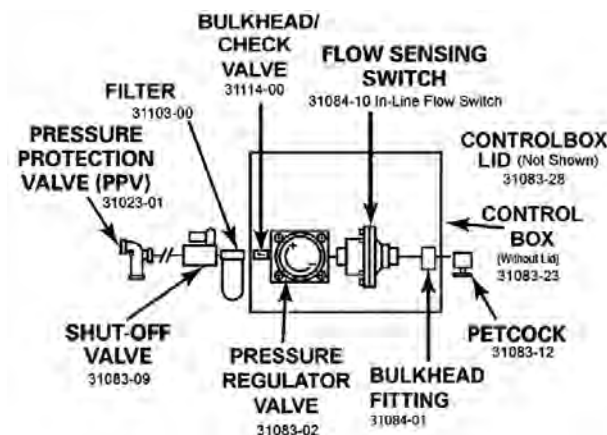


**Part Number: 3218401A**  
2.75 press/spindle plug kit with  
O-ring. Includes adhesive.  
Used in TP/TB applications.

**Part Number: 3102301**  
Primary Pressure Protection  
Valve Assembly



**Part Number: H220002**  
ThermALERT thermal plug  
kit, includes gasket.



**Part Number: 3108410**  
Control Box Flow Sensing  
Switch- In-Line.  
ThermALERT ready.  
Color: Gray. (Replaces  
31084-03 which cannot be  
used on ThermALERT systems)



**Part Number: 3110300**  
Control box  
self-draining filter



**HENDRICKSON TIREMAX™****Part Number: VS-29003-1**

Hose Assembly, straight, 16.5",  
Duals, EC-CP, wheels bigger than 17".

**Part Number: VS-29004-2**

Hose Assembly, 180°, 15",  
Duals, EC-CP, wheels bigger than 19.5".

**Part Number: VS-29854**

T-fitting, with internal check valve.  
For dual tires.

**Part Number: VS32056-1**

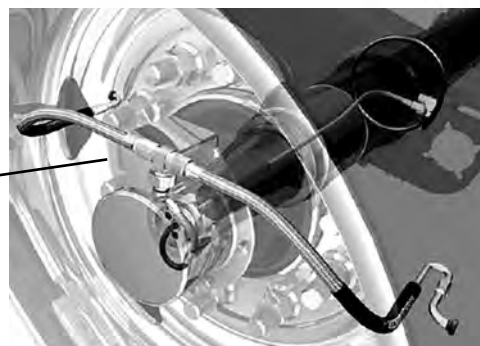
Hub cap. Oil. Tiremax PRO-HP.  
Dual /Super Single Wheels.  
Includes hubcap/gasket/fasteners.

**Part Number: VS-32068-3**

Hub cap. CP-HN. Grease.  
Dual /Super Single Wheels.  
Includes hubcap/gasket/fasteners.

**Part Number: VS-5085D-1**

EC to CP Retrofit Kit. 85 PSI Dual with  
CP wiring adaptor plug.

**Part Number: VS-31503-1**

Hose Assembly, straight, 16.5",  
Dual wheels 22.5 or 24.5, for PRO-CP, .

**Part Number: VS-31503-2**

Hose Assembly, straight, 14.5",  
Dual wheels 17" to 19.5", for PRO-CP, .

**Part Number: VS-31503-3**

Hose Assembly, straight, 11.8",  
Super single aluminum wheels 22.5",  
for PRO-CP, .

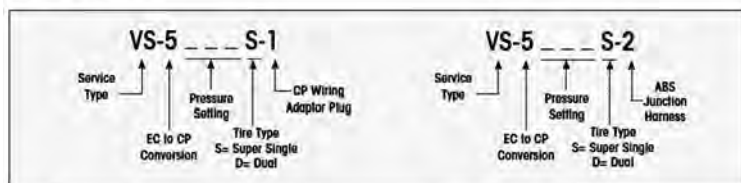
**Part Number: VS-31504-1**

Hose Assembly, 180°, 11.3",  
Dual wheels 17" to 19.5", or Super  
Single 22.5", for PRO-CP, .

**Part Number: VS-31504-2**

Hose Assembly, 180°, 12.5",  
Dual wheels 22.5" or 24.5", for PRO-CP, .

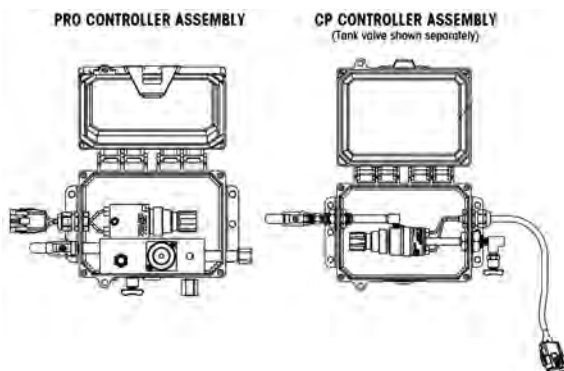
| ITEM | DESCRIPTION           | QTY. PER TANDEM | NOTE |
|------|-----------------------|-----------------|------|
| 1    | EC to CP Retrofit Kit | 1               |      |



Example: Conversion Kit Part Number VS-5100S-1 is 100 psi for Super Single with CP Wiring Adaptor Plug.

| Model      | PSI Range |
|------------|-----------|
| TIREMAX EC | 70 to 130 |

Offered in 5 psi increments.





**CHART FOR PROPERLY MATCHING TRUCK TIRES TO RIMS/WHEELS**

| TIRE SIZE <sup>(1)</sup>     | APPROVED RIM CONTOURS <sup>(2)</sup>                       |
|------------------------------|--|
| <b>LIGHT TRUCKS</b>          |  |
| 6.50 * 16LT                  | 4½K, 4.50E, 5K, 6K, 6L                                     |
| 7.50 * 16LT                  | 5.50F (SDC), 6K, 6L, 6½L, 7L                               |
| LT225/75 * 16                | 6J, 6½J, 6K, 6½K, 6½L, 7J, 7K, 7L                          |
| LT245/75 * 16                | 6½J, 6½K, 6½L, 7J, 7K, 7L, 7½J, 8J                         |
| LT265/75 * 16                | 7J, 7K, 7L, 7½J, 8J, 8L                                    |
| LT285/75 * 16                | 7½J, 8J, 8½J, 8L, 8LB, 8KB, 9J                             |
| LT215/85 * 16                | 5½J, 5½K, 5.50F (SDC), 6J, 6K, 6½J, 6½L, 7J, 7K, 7L        |
| LT235/80 * 17                | 6J, 6½J, 7J, 7½J   |
| LT235/85 * 16                | 6J, 6K, 6L, 6½J, 6½L, 7J, 7K, 7L, 7½J                      |
| LT255/85 * 16                | 6½J, 6½L, 7KB, 7J, 7K, 7L, 8J, 8KB, 8L, 8LB                |
| LT235/70 * 16                | 6J, 6K, 6L, 6½J, 6½K, 6½L, 7J, 7K, 7KB, 7L, 7½J            |
| LT255/70 * 16                | 6½J, 6½K, 6½L, 7J, 7K, 7KB, 7L, 7½J, 8J, 8KB, 8L, 8LB, 8½J |
| LT265/70 * 17                | 7J, 7K, 7KB, 7L, 7½J, 8J, 8KB, 8L, 8LB, 8½J, 9J            |
| LT275/70 * 16                | 7J, 7½J, 8J, 8½J   |
| 8.75 * 16.5                  | 6.00, 6.75   |
| 9.50 * 16.5                  | 6.75, 8.25   |
| <b>LOW PLATFORM TRAILERS</b> |  |
| 7.50 * 15TR                  | 6.0, 6.5   |
| 8.25 * 15TR                  | 6.5, 7.0   |
| 9.00 * 15TR                  | 7.0, 7.5   |
| 10.00 * 15TR                 | 7.5, 8.0   |
| 11.00 * 15TR                 | 8.0, 8.5   |
| 8R17.5HC                     | 6.00HC   |
| 9R17.5HC                     | 6.75HC   |
| 215/75R 17.5HC               | 6.00HC, 6.75HC   |
| 10R17.5HC                    | 6.75HC, 7.50HC   |
| 11R17.5HC                    | 8.25HC   |

| TIRE SIZE <sup>(1)</sup>              | APPROVED RIM CONTOURS <sup>(2)</sup> |
|---------------------------------------|--------------------------------------|
| <b>MEDIUM AND HEAVY DUTY TRUCKS</b>   |                                      |
| 7.50 * 20                             | 5.5, 6.0, 6.5                        |
| 8.25 * 20                             | 6.0, 6.5, 7.0                        |
| 9.00 * 20                             | 6.5, 7.0, 7.5, 7.50VM                |
| 10.00 * 20                            | 7.0, 7.5, 7.50VM, 8.0                |
| 11.00 * 20                            | 7.5, 8.0, 8.5, 8.50VM                |
| 12.00 * 20                            | 8.0, 8.5, 8.50VM, 9.0                |
| 13.00 * 20                            | 9.0, 10.00W                          |
| 14.00 * 20                            | 10.0, 10.00W                         |
| 10.00 * 22                            | 7.0, 7.5, 8.0                        |
| 11.00 * 22                            | 7.5, 8.0, 8.5                        |
| 11.00 * 24                            | 7.5, 8.0, 8.5, 8.50VM                |
| 12.00 * 24                            | 8.0, 8.5, 8.50VM, 9.0                |
| 14.00 * 24                            | 10.0W                                |
| 8 * 19.5                              | 5.25, 6.00, 6.00RW, 6.75, 6.75RW     |
| 225/70R 19.5                          | 6.00, 6.00RW, 6.75, 6.75RW           |
| 245/70R 19.5                          | 6.75, 6.75RW, 7.50, 7.50RW           |
| 265/70R 19.5                          | 7.50, 7.50RW, 8.25, 8.25RW           |
| 305/70R 19.5                          | 8.25, 8.25RW, 9.00                   |
| 8 * 22.5                              | 5.25, 6.00, 6.75                     |
| 9 * 22.5                              | 6.00, 6.75, 7.50                     |
| 10 * 22.5                             | 6.75, 7.50, 8.25                     |
| 235/80R 22.5                          | 6.75, 7.50                           |
| 245/75R 22.5                          | 6.75, 7.50                           |
| 255/70R 22.5                          | 7.50, 8.25                           |
| 265/75R 22.5                          | 7.50, 8.25                           |
| 11 * 22.5                             | 7.50, 8.25                           |
| 275/80R 22.5                          | 7.50, 8.25                           |
| 295/75R 22.5                          | 8.25, 9.00                           |
| 305/70R 22.5                          | 8.25, 9.00                           |
| 12 * 22.5                             | 8.25, 9.00                           |
| 12.5 * 22.5                           | 8.25, 9.00                           |
| 12.75 * 22.5                          | 8.25, 9.00                           |
| 315/80R 22.5                          | 9.00, 9.75                           |
| 11 * 24.5                             | 7.50, 8.25                           |
| 275/80R 24.5                          | 7.50, 8.25                           |
| 12 * 24.5                             | 8.25, 9.00                           |
| 285/75R 24.5                          | 8.25                                 |
| <b>WIDE BASE (DUPLEX<sup>®</sup>)</b> |                                      |
| 15 * 19.5                             | 11.75, 12.25                         |
| 16.5 * 19.5                           | 12.25, 13.00                         |
| 18 * 19.5                             | 13.00, 14.00                         |
| 15 * 22.5                             | 11.75, 12.25                         |
| 385/65R 22.5                          | 11.75, 12.25                         |
| 16.5 * 22.5                           | 12.25, 13.00                         |
| 425/65R 22.5                          | 11.75, 12.25, 13.00                  |
| 445/50R 22.5                          | 14.00                                |
| 445/65R 22.5                          | 12.25, 13.00, 14.00                  |
| 455/55R 22.5                          | 14.00                                |
| 18 * 22.5                             | 13.00, 14.00                         |

**Information obtained from The 2011 Tire and Rim Association Yearbook.**

(1) A denotes both radial and bias tires. An R indicates radial tires only.  
 (2) SDC denotes semi-drop center rims.  
 Note: For tire sizes not shown, consult the Tire Manufacturer for approved rim contours.



**WARNING:** Failure to properly match tire and rim/wheel sizes is dangerous. Mounting a smaller diameter tire on a larger diameter rim/wheel (for example, mounting a 16 inch tire on a 16.5 inch rim/wheel) can result in breaking the tire bead during mounting or airing. The tire may then explode during inflation. The explosion can hurl the tire and wheel into the air striking you or a bystander. Be sure the diameter shown on the tire exactly matches the diameter stamped on the rim/wheel.



## ALUMINUM WHEELS

As a leader in wheel technology, **Accuride Wheels** has raised the standard for aluminum wheels by expanding our **Accu-Lite** family of wheels to include lightweight aluminum wheels. Lighter weight, Ultra-enhanced finish. The New Standard.

**ACCURIDE**  
WHEELS



| Wheel Size  | Part No. | Polish Option<br>(Typical Application) | Bolt<br>Circle<br>mm | Center<br>Bore<br>mm | Wheel<br>Offset | Approx.<br>Wt. (lbs) | Maximum<br>Load & Infl.<br>(lbs.) - (psi) |
|-------------|----------|--|----------------------|----------------------|-----------------|----------------------|---|
| 22.5 x 8.25 | 41644SP  | Machined                               | 285.75               | 220                  | 6.59"           | 45                   | 7400-131                                  |
|             | 41644XP  | Inside/Outside Polished                | 285.75               | 220                  | 6.59"           | 45                   | 7400-131                                  |
| 24.5 x 8.25 | 41362SP  | Machined                               | 285.75               | 220                  | 6.59"           | 54                   | 7400-130                                  |
|             | 41362XP  | Inside/Outside Polished                | 285.75               | 220                  | 6.59"           | 54                   | 7400-130                                  |

Valve stems recommended are 17-545D

## STEEL RIMS

### TUBELESS DEMOUNTABLE RIMS FOR CAST SPOKE WHEELS ("Dayton-Style")

Powder Coated

**ACCURIDE**  
WHEELS

| Rim Size<br>Dia.(In) | Width<br>(In) | Offset | Part No.   | Color | Max<br>Weight<br>(lbs.) | Max<br>Load<br>(lbs.) | Inflation<br>(PSI) |
|----------------------|---------------|--------|------------|-------|-------------------------|-----------------------|--------------------|
| 17.5                 | 6.75          | 3.90   | 31868175PW | White | 46                      | 4805                  | 120                |
| 22.5                 | 8.25          | 4.75   | 30391225PW | White | 69                      | 7300                  | 120                |
| 24.5                 | 8.25          | 4.75   | 30391245PW | White | 75                      | 7300                  | 120                |



Valve stems recommended are 17-572T for 31868175PW, and 17-573T for 30391225/31391245

## LIGHT TRUCK WHEELS

### Part No. 29584PG

Hub-Piloted  
Dual-Mounting  
**19.5x6  
8-Hole.**  
225mm Bolt Circle.  
170.10mm Bore.  
4 hand hole.  
Powder Coated  
NWRA No. X45464  
Ford F-Super Duty, F450.  
Ford Swiveling Lug Nut.



### Part No. 29587PG

Hub-Piloted  
Dual-Mounting  
**16x6, 8-Hole.**  
Clamping Nut  
Plate w/90° cone.  
6½" Bolt Circle.  
4.56" Bore.  
4 hand hole, Powder Coated.  
NWRA No. X45467  
3/4,1Ton, Chev/GMC.



### Part No. 29588PG

Hub-Piloted  
Dual-Mounting  
**16x6.5  
8-Hole.**  
GM Swiveling  
Lug Nut.  
6½" Bolt Circle.  
4.60" Bore. 4 hand hole.  
Powder Coated.  
NWRA No. X45477  
3/4,1Ton, Chev/GMC.



**ACCURIDE**  
WHEELS



## STEEL WHEELS - ACCURIDE

### 10 HOLE TUBELESS DISC WHEELS FOR DCN (DOUBLE CAP NUT)

#### STUD PILOTED MOUNTING . Powder Coated

27404/27406 = 11.25 inch diameter Bolt Circle, 8.72 inch Bore.

28112 = 8.75 Bolt Circle and 6.50 Bore

**ACCURIDE**  
WHEELS



| Size | Width | Disc<br>Thick-<br>ness | Offset | Part No.       | Color | Hand<br>Holes | Weight<br>(lbs.) | Max<br>Load<br>(lbs.) | Max<br>Inflation<br>(PSI) |
|------|-------|------------------------|--------|----------------|-------|---------------|------------------|-----------------------|---------------------------|
| 17.5 | 6.75  | .420                   | 6.19   | <b>28112PW</b> | White | 2             | 63               | 5070                  | 125                       |
| 22.5 | 8.25  | .472                   | 6.62   | <b>27404PW</b> | White | 2             | 82               | 7300                  | 120                       |
| 24.5 | 8.25  | .472                   | 6.62   | <b>27406PW</b> | White | 2             | 91               | 7300                  | 120                       |

Recommended Valve stem for 28112PW is TR570-14C, 27404PW is 17-572T, 27406PW is 17-573T

**ACCURIDE**  
WHEELS

**Accu-Lite™ Steel Wheels**  
Raising the Standard, Lowering the Weight

### 10 HOLE TUBELESS DISC WHEELS FOR CLN (CONE LOCK NUT)

#### HUB PILOTED MOUNTING. Powder Coated

285.75MM diameter bolt circle, 220MM (8.661 inch) center hole



| Size | Width | Disc<br>Thick-<br>ness | Offset | Part No.       | Color | Hand<br>Holes | Weight<br>(lbs.) | Max<br>Load<br>(lbs.) | Max<br>Inflation<br>(PSI) |
|------|-------|------------------------|--------|----------------|-------|---------------|------------------|-----------------------|---------------------------|
| 22.5 | 8.25  | .437"                  | 6.60   | <b>50408PG</b> | Gray  | 2             | 70               | 7400                  | 120                       |
| 22.5 | 8.25  | .437"                  | 6.60   | <b>50408PW</b> | White | 2             | 70               | 7400                  | 120                       |
| 22.5 | 8.25  | .437"                  | 6.60   | <b>50487PW</b> | White | 5             | 68               | 7400                  | 120                       |
| 24.5 | 8.25  | .437"                  | 6.62   | <b>50409PW</b> | White | 2             | 78               | 7400                  | 120                       |

Valve Stems recommended are 17-572T for 50408 and 50487, 17-573T for 50409

**ACCURIDE**  
WHEELS



|      |      |       |      |                |       |   |     |       |     |
|------|------|-------|------|----------------|-------|---|-----|-------|-----|
| 22.5 | 9.00 | .500" | 5.25 | <b>29039PW</b> | White | 5 | 103 | 10000 | 130 |
| 22.5 | 9.00 | .625" | 7.00 | <b>29300PW</b> | White | 5 | 111 | 9000  | 130 |

Valve stem recommended is 17-573T for 29039PW and 29300PW

**STEEL WHEELS - MAXION****10 HOLE TUBE-TYPE DISC WHEELS FOR CLN (CONE LOCK NUT)****HUB PILOTED MOUNTING**

11.25 inch diameter bolt circle, 8.661 inch center hole.

| Size | Width | Disc<br>Thick-<br>ness | Offset | Part No.      | Color | Hand<br>Holes | Weight<br>(lbs.) | Max<br>Load<br>(lbs.) | Max<br>Inflation<br>(PSI) |
|------|-------|------------------------|--------|---------------|-------|---------------|------------------|-----------------------|---------------------------|
| 22.5 | 8.25  | .425                   | 6.62   | <b>90541W</b> | White | 2             | 78               | 7400                  | 120                       |
| 24.5 | 8.25  | .432                   | 6.62   | <b>90542W</b> | White | 2             | 86               | 7400                  | 120                       |

Recommended Valve stem for 90541W / 90542W is 17-573T

**8 HOLE TUBELESS DISC WHEELS FOR CLN (CONE LOCK NUT)****HUB PILOTED MOUNTING**

275MM diameter bolt circle, 221.1MM (8.701 inch) center hole

| Size | Width | Disc<br>Thick-<br>ness | Offset | Part No.       | Color | Hand<br>Holes | Weight<br>(lbs.) | Max<br>Load<br>(lbs.) | Max<br>Inflation<br>(PSI) |
|------|-------|------------------------|--------|----------------|-------|---------------|------------------|-----------------------|---------------------------|
| 17.5 | 6.75  | .438                   | 5.60   | <b>10013TW</b> | White | 4             | 65               | 6500                  | 125                       |
| 22.5 | 8.25  | .495                   | 6.62   | <b>88884W</b>  | White | 4             | 84               | 7400                  | 120                       |

Recommended Valve stem for 10013W is 17-574T

Recommended Valve stem for 88884W is 17-573T



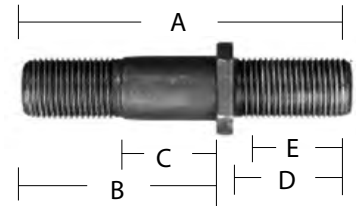


## WHEEL ATTACHING PARTS - STUDS

### CLIPPED COLLAR SHOULDER STUDS .783 - .786 Body Diameter

3/4"-16 Threads Both Ends

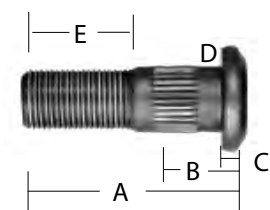
| Part No. |         | REPLACES    |             | A                               | B                              | C                              | D                               | E                              |
|----------|---------|-------------|-------------|---------------------------------|--------------------------------|--------------------------------|---------------------------------|--------------------------------|
| RH       | LH      | RH          | LH          |                                 |                                |                                |                                 |                                |
| E-5559R  | E-5559L | M50         | M51         | 3 <sup>23</sup> / <sub>32</sub> | 2 <sup>3</sup> / <sub>16</sub> | 1 <sup>1</sup> / <sub>16</sub> | 1 <sup>11</sup> / <sub>32</sub> | 1 <sup>5</sup> / <sub>32</sub> |
| E-5561R  | E-5561L | Webb 139902 | Webb 139913 | 3 <sup>31</sup> / <sub>32</sub> | 2 <sup>7</sup> / <sub>16</sub> | 1 <sup>5</sup> / <sub>32</sub> | 1 <sup>11</sup> / <sub>32</sub> | 1 <sup>5</sup> / <sub>32</sub> |
| E-5560R  | E-5560L | M54         | M55         | 4 <sup>1</sup> / <sub>32</sub>  | 2 <sup>1</sup> / <sub>2</sub>  | 1 <sup>9</sup> / <sub>32</sub> | 1 <sup>11</sup> / <sub>32</sub> | 1 <sup>5</sup> / <sub>32</sub> |



### SERRATED WHEEL STUDS .783 - .786 Body Diameter

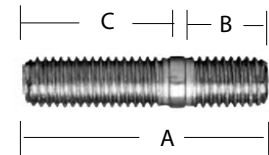
3/4"-16 Thread

| Part No. |         | REPLACES |      | A                             | B                             | C                              | D   | E                              |
|----------|---------|----------|------|-------------------------------|-------------------------------|--------------------------------|-----|--------------------------------|
| RH       | LH      | RH       | LH   |                               |                               |                                |     |                                |
| E-4966R  | E-4966L | M76      | M77  | 2 <sup>5</sup> / <sub>8</sub> | 1 <sup>1</sup> / <sub>4</sub> | 5 <sup>1</sup> / <sub>16</sub> | 1/2 | 1 <sup>1</sup> / <sub>16</sub> |
| E-4967R  | E-4967L | M78      | M79  | 2 <sup>7</sup> / <sub>8</sub> | 1 <sup>1</sup> / <sub>2</sub> | 1/4                            | 1/2 | 1 <sup>1</sup> / <sub>16</sub> |
| E-4968R  | E-4968L | M80      | M81  | 2 <sup>7</sup> / <sub>8</sub> | 1 <sup>1</sup> / <sub>2</sub> | 1/2                            | 1/2 | 1 <sup>1</sup> / <sub>16</sub> |
| E-4969R  | E-4969L | M82      | M83  | 3 <sup>1</sup> / <sub>8</sub> | 1 <sup>3</sup> / <sub>4</sub> | 9 <sup>1</sup> / <sub>16</sub> | 1/2 | 1 <sup>1</sup> / <sub>16</sub> |
| E-5766R  | E-5766L | W280     | W281 | 3.88                          | 2.50                          | .56                            | .31 | 1 <sup>1</sup> / <sub>16</sub> |
| E-8949R  | E-8949L | W504     | W505 | 2.59                          | .97                           | .22                            | .41 | --                             |
| E-8979R  | E-8979L | --       | --   | 3.34                          | 1.28                          | --                             | .50 | 1.84                           |



## SPOKE WHEEL STUDS

| Part No. | REPLACES                        | Thread | A                             | B                              | C                               |
|----------|---------------------------------|--------|-------------------------------|--------------------------------|---------------------------------|
| E-4958   | Dayton 08-006654<br>Webb 161127 | 5/8-11 | 2 <sup>3</sup> / <sub>4</sub> | 7/8                            | 1 <sup>11</sup> / <sub>16</sub> |
| NL5102   | E4956A, M39<br>Webb 171027      | 3/4-10 | 3                             | 1 <sup>1</sup> / <sub>16</sub> | 1 <sup>3</sup> / <sub>4</sub>   |



## FLANGED CAP NUTS

### DUAL STEEL WHEELS / STEEL INNER AND ALUMINUM OUTER

| Part No.       |                | REPLACES       |                | Outer Thread                      | Inner Thread | OA Length                      | Application                   |
|----------------|----------------|----------------|----------------|-----------------------------------|--------------|--------------------------------|-------------------------------|
| RH             | LH             | RH             | LH             |                                   |              |                                |                               |
| NL5500         | NL5501         | M128           | M129           | 1 <sup>1</sup> / <sub>8</sub> -16 | 3/4-16       | 2 <sup>7</sup> / <sub>32</sub> | Dual steel wheels             |
| Grade 8        |                | <b>E-7895R</b> | <b>E-7895L</b> |                                   |              |                                |                               |
| Zinc Yellow    |                | 13-3005R       | 13-3005L       |                                   |              |                                |                               |
| Dichromate     |                |                |                |                                   |              |                                |                               |
| NL5502         | NL5503         | M130           | M131           | 1 <sup>1</sup> / <sub>8</sub> -16 | 3/4-16       | 2 <sup>9</sup> / <sub>16</sub> | Steel inner alum outer wheels |
| Grade 8        |                | <b>E-7896R</b> | <b>E-7896L</b> |                                   |              |                                |                               |
|                |                | 13-3008R       | 13-3008L       |                                   |              |                                |                               |
| <b>E-7897R</b> | <b>E-7897L</b> | M132           | M133           | 1 <sup>1</sup> / <sub>8</sub> -16 | 3/4-16       | 3 <sup>1</sup> / <sub>16</sub> | Steel inner alum outer wheels |
| Grade 8        |                |                |                |                                   |              |                                |                               |



### DUAL ALUMINUM WHEELS

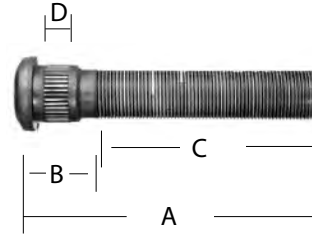
| Part No. |        | REPLACES       |                | Outer Thread                      | Inner Thread | OA Length                      | Application      |
|----------|--------|----------------|----------------|-----------------------------------|--------------|--------------------------------|------------------|
| RH       | LH     | RH             | LH             |                                   |              |                                |                  |
| NL5532   | NL5533 | <b>E-5988R</b> | <b>E-5988L</b> | 1 <sup>1</sup> / <sub>8</sub> -16 | 3/4-16       | 3 <sup>1</sup> / <sub>16</sub> | Dual Alum Wheels |
| Grade 8  |        | M2400          | M2401          |                                   |              |                                |                  |



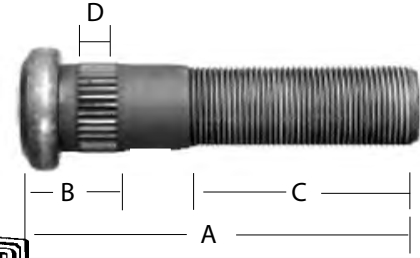
These also are available in Euclid Brand.

**WHEEL ATTACHING PARTS - METRIC STUDS****METRIC SERRATED STUDS .973 - .977 Body Diameter****M22 X 1.5 Threads**

| Part No. | REPLACES    | A                               | B                               | C                               | D               |
|----------|-------------|---------------------------------|---------------------------------|---------------------------------|-----------------|
| NL5106   | Webb 101162 | 3 <sup>15</sup> / <sub>16</sub> | 2 <sup>23</sup> / <sub>32</sub> | 2 <sup>11</sup> / <sub>16</sub> | 3/ <sub>8</sub> |
| NL5107   | Webb 101160 | 4 <sup>25</sup> / <sub>32</sub> | 2 <sup>23</sup> / <sub>32</sub> | 3 <sup>17</sup> / <sub>32</sub> | 3/ <sub>8</sub> |
| E-6036   | Webb 101164 | 3.50                            | .72                             | 2.25                            | .38             |

**METRIC SERRATED STUDS .973 - .977 Body Diameter****M22 X 1.5 Threads**

| Part No. | REPLACES     | A                               | B                              | C                               | D                               |
|----------|--------------|---------------------------------|--------------------------------|---------------------------------|---------------------------------|
| E-5997   | Budd 106216  | 3 <sup>21</sup> / <sub>32</sub> | 1 <sup>7</sup> / <sub>32</sub> | 2 <sup>7</sup> / <sub>64</sub>  | 1 <sup>13</sup> / <sub>32</sub> |
| E-5999   | Budd 106397  | 4 <sup>29</sup> / <sub>64</sub> | 1 <sup>7</sup> / <sub>32</sub> | 2 <sup>29</sup> / <sub>32</sub> | 1 <sup>13</sup> / <sub>32</sub> |
| E-8988   | Gunite W1246 | 3.69                            | .88                            | 2.34                            | .50                             |

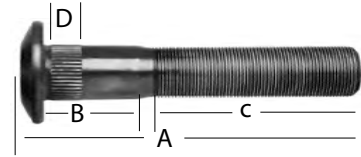
**METRIC CLIPPED "D" HEAD STUDS  
Stud Body Diameter .888****M22 X 1.5 Threads**

| Part No. | REPLACES | A    | B    | C    | Application        |
|----------|----------|------|------|------|--------------------|
| E-10256  | W770     | 3.58 | 2.51 | 1.62 | For Dura-Lite Hubs |
| E-10257  | W59      | 4.19 | .50  | 3.31 | For Dura-Lite Hubs |

**METRIC SINGLE ENDED STUD - M22 X 1.5 Threads**

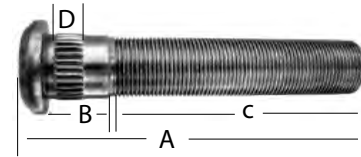
Round Head Serrated Type - Metric. .910 Stud body diameter.

| Part No. | REPLACES      | A                               | B                              | C                              | D               |
|----------|---------------|---------------------------------|--------------------------------|--------------------------------|-----------------|
| E-10221  | Conmet 102242 | 5 <sup>11</sup> / <sub>32</sub> | 1 <sup>9</sup> / <sub>16</sub> | 3 <sup>7</sup> / <sub>16</sub> | 1/ <sub>2</sub> |

**METRIC SINGLE ENDED STUD - M22 X 1.5 Threads**

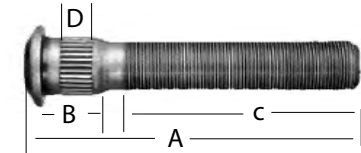
Round Head Serrated Type - Metric. .890 Stud body diameter.

| Part No. | REPLACES   | A                               | B               | C                               | D               |
|----------|------------|---------------------------------|-----------------|---------------------------------|-----------------|
| E-11715  | Paccar 618 | 4 <sup>25</sup> / <sub>32</sub> | 7/ <sub>8</sub> | 3 <sup>27</sup> / <sub>32</sub> | 3/ <sub>8</sub> |

**METRIC SINGLE ENDED STUD - M22 X 1.5 Threads**

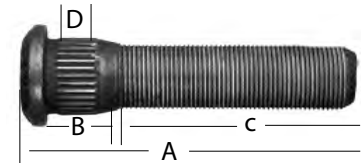
Round Head Serrated Type - Metric. .975 Stud body diameter.

| Part No. | REPLACES     | A                              | B               | C                             | D               |
|----------|--------------|--------------------------------|-----------------|-------------------------------|-----------------|
| E-8980   | Gunite W1160 | 5 <sup>3</sup> / <sub>32</sub> | 7/ <sub>8</sub> | 3 <sup>3</sup> / <sub>4</sub> | 1/ <sub>2</sub> |

**METRIC SINGLE ENDED STUD - M22 X 1.5 Threads**

Round Head Serrated Type - Metric. .975 Stud body diameter.

| Part No. | REPLACES     | A | B               | C                              | D               |
|----------|--------------|---|-----------------|--------------------------------|-----------------|
| E-8981   | Gunite W1164 | 4 | 7/ <sub>8</sub> | 2 <sup>9</sup> / <sub>32</sub> | 1/ <sub>2</sub> |

**METRIC SINGLE ENDED STUD - M22 X 1.5 Threads**

Round Head Serrated Type - Metric. .888 Stud body diameter.

| Part No. | REPLACES | A                               | B               | C                              | D               |
|----------|----------|---------------------------------|-----------------|--------------------------------|-----------------|
| E-9837   | Various  | 3 <sup>23</sup> / <sub>32</sub> | 7/ <sub>8</sub> | 2 <sup>9</sup> / <sub>16</sub> | 3/ <sub>8</sub> |







## WHEEL ATTACHING PARTS - NUTS

### CAP NUTS FOR SINGLE AND DUAL DISC WHEELS

| Part No. |        | REPLACES            |                      | Thread                            | Hex                           | Height | Application           |
|----------|--------|---------------------|----------------------|-----------------------------------|-------------------------------|--------|-----------------------|
| RH       | LH     | RH                  | LH                   |                                   |                               |        |                       |
| NL5512   | NL5513 | E-5977R             | E-5977L              | 1 <sup>1</sup> / <sub>8</sub> -16 | 1 <sup>1</sup> / <sub>2</sub> | 7/8    | Standard Outer Dual   |
|          |        | Webb 178910<br>M126 | Webb 178921<br>M127  |                                   |                               |        |                       |
| NL5510   | NL5511 | E-5652R             | E-5652L              | 3/4-16                            | 1 <sup>1</sup> / <sub>2</sub> | 7/8    | Standard Single Wheel |
|          |        | M124<br>Webb 178736 | M125L<br>Webb 178737 |                                   |                               |        |                       |



These also available in Euclid Brand.

### FLANGED NUTS FOR HUB PILOTED WHEELS

| Part No. | REPLACES             | Thread  | Hex             | High             | Application                              |
|----------|----------------------|---------|-----------------|------------------|--|
| 106333   | E-6000A              | M22X1.5 | 33mm<br>(1.44") | 31mm<br>(1.38")  | For Uni-Mount 10                         |
| 88881    | E5991<br>Webb 179955 | M22X1.5 | 1.50"<br>(36mm) | 1.33"<br>(29 mm) | For Motor Wheel WHD-8 Hub-Piloted Wheels |



### RIM NUTS FOR SPOKE WHEELS

| Part No. | REPLACES |       | Thread | Hex                             |
|----------|----------|-------|--------|---------------------------------|
|          | Euclid   | Webb  |        |                                 |
| NL5400   | E-4962   | 74611 | 5/8-11 | 1- <sup>1</sup> / <sub>16</sub> |
| NL5401   | E-4963   | 74710 | 3/4-10 | 1- <sup>1</sup> / <sub>4</sub>  |



These also available in Euclid Brand.

## NUT SOCKETS AND SLEEVE NUTS

### Deep Length Impact Sockets

- Metric

**Part No. 30356**



Description: 6 point, 3/4" Drive, 33 mm deep.  
Use on 106333 nut.



**Part No. 30366**

Description: 6 point, 1" Drive, 33 mm deep  
Use on 106333 nut.

**Part No. 30150**

Combination Budd Wheel - SAE and Metric. 1-1/2" x 13/16" square.

### WHEEL TITE® SLEEVE NUT

Minimizes the clearance between the wheel stud and the wheel bolt hole. Reduces the movement or "clocking" of loose wheels. Engages both dual wheels. Protects and covers the threads from wear. Slows the process of wheels loosening.

**Part No. 106306**

22mm-1.5x6mm. 33mm hex.  
Steer axles - Steel Wheels.  
Drive/Trailer axles-wide single

**Part No. 106319**

22mm-1.5x19.5mm. 33mm hex.  
Steer Axles - aluminum wheels.  
Drive/Trailer axles - wide single aluminum wheels.  
Drive/Trailer axles - Steel Outer and Steel inner wheels.  
Drive/Trailer Axles - Steel Outer/Aluminum inner wheels



### RIB NUT

#### INNER NUT REMOVER



Quickly and easily removes inner nuts that have stripped ends.  
Use with 1- 1/2 inch impact socket.

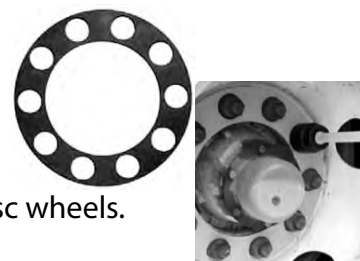
**Part No. E-5206**



#### PROTECTIVE COVER

Prevents damage to chrome and aluminum rims and wheels when removing or replacing lug nuts. Imprinted with torque sequence number for proper torquing of disc wheels.

**Part No. 30605**



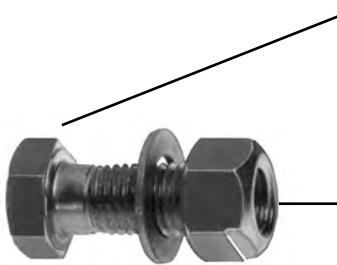


**BOLTS KITS - BRAKE DRUMS**

**Bolt KIT Part No. NL5491**

Bolt Length Under Head - 2"  
Thread 3/4"-16 UNF. Grade 8.

Each brake Drum bolt kit contains **5 EACH** of the bolts, nuts and washers.



**BRAKE DRUM BOLTS (Only) - Grade 8**

| Part No. | REPLACES         | Thread | Length Under Head |
|----------|------------------|--------|-------------------|
| NL5441   | M2454            | 5/8-18 | 2                 |
| NL5442   | Dayton 08-201500 | 3/4-16 | 2                 |

**LOCK NUTS (Only) FOR BRAKE DRUMS - Plated, Grade 8**

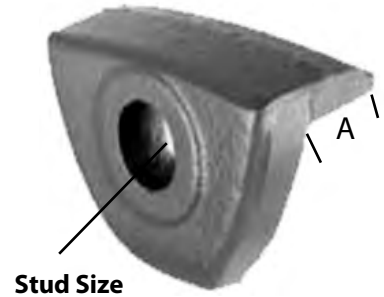
| Part No. | REPLACES | Thread | Height |
|----------|----------|--------|--------|
| NL5412   | M2457    | 5/8-18 | 9/16   |
| NL5413   | M2459    | 3/4-16 | 5/8    |

**USS FLAT WASHERS (Only) - GRADE 8 - SAE Standard Grade 8, Plated**

| Part No. | REPLACES         | Size Diameter | O.D.   |
|----------|------------------|---------------|--------|
| NL5480   | Dayton 08-201941 | 5/8           | 1 5/16 |
| NL5481   | E2545            | 3/4           | 1 1/2  |

**SPOKE WHEEL RIM CLAMPS**

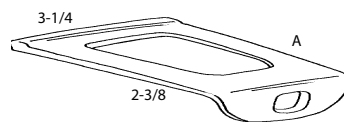
| Part No. | Interchange              | "A"   | Stud Size | Spacer Width |
|----------|--------------------------|-------|-----------|--------------|
| NL5006   | E5571A, M3<br>Webb 16123 | 1 1/8 | 3/4       | 4            |
| NL5008   | E5784A, M1123            | 1 1/4 | 3/4       | 4            |
| NL5011   | E5040, M8                | 1 1/2 | 3/4       | 3 5/8        |
| NL5015   | E5572A, M4               | 1 3/4 | 3/4       | 3 3/8        |



**5 and 6 SPOKE WHEEL RIM CLAMP**

| Part No. | Interchange | "A"   | Stud Size |
|----------|-------------|-------|-----------|
| 3350     | E-5976      | 5 3/4 | 3/4       |

Used to install single duplex demountable rim in place of dual wheels.





## CHANNEL SPACERS - SPOKE WHEEL SPACERS

| Tubeless Rims:   | Size (In)                        | Part No.       | Size (In)                        | Part No.       |
|--|----------------------------------|----------------|----------------------------------|----------------|
| For 17.5" diameter rims,<br>use 15" diameter spacer bands. | 15X4                             | <b>1013329</b> | 20X4 <sup>1</sup> / <sub>2</sub> | <b>1013340</b> |
| For 22.5" diameter rims,<br>use 20" diameter spacer bands. | 20X3 <sup>3</sup> / <sub>8</sub> | <b>1013331</b> | 22X4                             | <b>1013336</b> |
|  | 20X3 <sup>5</sup> / <sub>8</sub> | <b>1013333</b> | 22X4 <sup>1</sup> / <sub>4</sub> | <b>1013337</b> |
| For 24.5" diameter rims,<br>use 22" diameter spacer bands. | 20X4                             | <b>1013334</b> | 22X4 <sup>1</sup> / <sub>2</sub> | <b>1013338</b> |
|  | 20X4 <sup>1</sup> / <sub>4</sub> | <b>1013335</b> | 22X3 <sup>5</sup> / <sub>8</sub> | <b>1013339</b> |



## WHEEL GUARD SEPARATOR PLATES

•Made of Black Plastic. •Approx. .040" thick.

| Part Number  | Description   |
|--------------|---|
| <b>590-1</b> | 10 hole, 11.25" bolt circle,<br>stud pilot, 7/8" & 11/8" diameter studs |
| <b>590-2</b> | 11.25" bolt circle, 3/4" diameter studs.                                |
| <b>590-3</b> | 10 hole, 285.75mm bolt circle,<br>hub pilot, 22mm diameter studs        |
| <b>790-2</b> | 8 hole, hub pilot, 285.75mm bolt circle, 22mm studs                     |



## Crossfire Tire Pressure Equalization

**Crossfire** is a pressure equalizing and monitoring valve that is mounted between dual tires. Properly mounted, air freely flows from one tire to the other, maintaining equal tire pressure.



Mounted correctly, Crossfire's yellow indicator verifies that air is flowing freely from one tire to the other, equalizing the load, with just a glance from up to 20 feet away.



### The Crossfire Dual™ Tire Pressure Equalization System:

- maximizes tire life
- decreases rolling resistance for increased fuel mileage .
- cuts maintenance time due to single-point inflation.
- cuts maintenance time due to the visual pressure gauge.
- improves stability, braking and overall safety.
- installs in minutes and requires little maintenance.
- pays for itself in less than a year.
- American-made and guaranteed for two years.

### Blowout and Leaks

Crossfire employs a safety feature that automatically isolates the "good" tire in the event of a blowout. When a blowout occurs, the internal safety valve loses immediately with only a slight loss of pressure to the "good" tire. In slow leak situations, the valve isolates both tires after a pressure drop of approximately 10 P.S.I.

### CROSSFIRE KITS:

#### Part No. CF-100-ST

100 PSI, Uni-mount, Hub Pilot. Stainless steel hoses and AT/BH brackets.



#### Part No. CF-120-ST

120 PSI, Uni-mount, Hub Pilot. Stainless steel hoses and AT/BH brackets.



### Oil Hub Caps-6 hole

#### Part No. 203-P

6 hole - 2.83 high  
5.53" bolt circle.

#### Part No. 207-P

6 hole PSI - 2.83 high  
5.53" bolt circle.

#### Part No. 260-P

6 hole PSI - 2.71 high  
6.75" bolt circle.



### Grease Hub Caps-6 hole

#### Part No. 401-G

6 hole - PSI - 2.66 high  
5.53" bolt circle.

#### Part No. 456-G

6 hole PSI - 2.85 high  
6.75" bolt circle.





**WHEEL NUT INDICATORS / WHEEL SKID STOPPERS**

**Wheel Nut Indicators** provide a simple, visual means of confirming proper wheel nut torque in seconds. Reduces risk of wheel detachment accidents and resulting load damage and may reduce insurance costs. Reduces equipment downtime and maintenance costs associated with needless re-torquing. Resistant to highway and cleaning chemicals. Easy to install and difficult to tamper with or dislodge. Bright color permits visibility at night and in dirty or muddy condition.

Temperature-sensitive polymer detects bearing or brake overheating problems by deforming at temperatures above 120°C / 250°F. Will withstand extreme cold temperatures -75°C / -100°F without cracking.

**Wheel Nut indicators** are applied pointing in a uniform clockwise direction after ensuring proper wheel torque (apply with "lip" toward wheel) An indicator will rotate counter-clockwise if wheel nut loses torque. Provides a visual commitment to safety to the public and to transportation authorities. Drivers, mechanics or inspectors can confirm proper wheel torque or identify bearing or brake overheating problems at a glance. Reduces costly wheel stud wear and breakage due to continuous re-torquing (stud manufacturers recommend stud replacement after 3 torques.) Costs only a few dollars per wheel and pays for itself if just one re-torque is avoided. Reusable on replacement wheels.

**Part No WCH02**  
8 stud hub pilot. (Unimount)  
1.5" nut. (20 pcs / pack)

**Part No. WCH03**  
10 stud hub pilot. (Unimount)  
33mm nut. (20 pcs / pack)



**SKID-STOPPER™ Wheel Skid Indicator**  
**Part Number 1010950 Unimount**  
**Part Number 1010951 Budd**

Along with our Lug nut indicators we have a heavy duty Skid Indicator for use on icy, snow packed and slick roadways.

The SKID-STOPPER™ is made of UHMW-PE a polyethylene that is specifically designed to be abrasion resistant and will remain flexible below -100° F.

**The SKID-STOPPER™** not only allows drivers to see if their trailer tires are locked up when braking on slick surfaces, they also show drivers that their tires are rotating properly as they pull away with a trailer.



**Part No 1010950**  
Unimount hub.  
Comes with Jam Nut.

**Part No 1010951**  
Stud pilot hub.  
Comes with Jam Nut.

**SKID-STOPPER™**  
**Wheel Skid Indicator**



**TRUCK TIRE TOOLS**

**TRUCK TUBELESS TIRE IRON**

Our most popular tubeless tire tool. Use in pairs. Length: 37" Stock: 3/4" Weight: 5 Lbs **Part No. 34644**



**PROFESSIONAL TIRE BEAD BREAKING HAMMER**

Fiberglass handle with NU-LOK adapter prevents head from loosening. Length: 32" Weight: 9.1 Lbs. **Part No. 35429 Handle Only: Part No. 35229**



**BUDD NUT WRENCH FOR OUTER CAP NUTS**

Holds outer capnut while turning inner. 1-1/2" hex opening. Weight: 14 oz. **Part No. 30609**



**30" CURVED SPOON TIRE IRON**

Curved for mounting or demounting tires. Length: 30" Stock: 11/16" Weight 3.1 Lbs **Part No. 33220**



**24" LOCK RING TOOL**

Designed for tire mounting and demounting. Length: 24" Stock: 11/16" Weight: 2 1/4 Lbs **Part No. 32123**



**PROTECTIVE COVER**

Prevents damage to chrome and aluminum rims and wheels when removing or replacing lug nuts. Imprinted with torque sequence number for proper torquing of disc wheels. **Part No. 30605**



**Deep Length Impact Sockets - Metric Part No. 30356**

Description: 6 point, 3/4" Drive, 33 mm deep. Use on 106333 nut.

**Part No. 30366**

Description: 6 point, 1" Drive, 33 mm deep Use on 106333 nut.



**Part No. 30150**

Combination Budd Wheel - SAE and Metric. 1-1/2" x 13/16" square.



**EQUAL® TIRE PERFORMANCE**

**EQUAL** is installed by placing a self opening bag-containing a specified amount of the product tailored to the tire size-inside the tire at the time of mounting. It can also be installed through the valve stem using a special installation tool after tire mounting.

| Part No.        | Description |
|-----------------|-------------|
| <b>EQCS40AD</b> | 12 oz. bag  |
| <b>EQCS40BD</b> | 10 oz. bag  |
| <b>EQCS40CD</b> | 8 oz. bag   |
| <b>EQCS40DD</b> | 6 oz. bag   |
| <b>EQCS40ED</b> | 4 oz. bag   |
| <b>EQCS40FD</b> | 3 oz. bag   |



Ask us for more information on this unique product. IT WORKS!



## TIRE VALVE STEMS & CAPS

### TRUCK TIRE VALVE STEM

Straight Valves  
For 5/8" (.625")  
Side Hole Rim  
Mounting for  
steel wheels

**Part No. Length**

**17-571T** 3-3/8"

**17-572T** 3-3/4"

**17-573T** 4-3/8"

Box Quantity = 50



### VALVE CORE

For General  
Purpose  
Valve Use.

**Part No. 17-490HT**

Operating Pressure

0 - 200 PSI

Box Quantity = 100



### VALVE CAP

Metal For  
Standard Valves

**Part No. 17-491D**



### VALVE CAP

Black Flexible plastic

**Part No. 17-492**



Box Quantity = 100

### TRUCK TIRE VALVE STEM

**Part No. 17-509**

90° Valve for 4-3/4"

Aluminum Wheels

w/ .625" Rim Hole

Box Quantity = Each



### TRUCK TIRE VALVE STEM

**Part No. 17-510**

90° Valve for 5-1/2" Alumi-

nium Wheels

w/ .625" Rim Hole

Box Quantity = 10



### TRUCK TIRE VALVE STEM

**Part No. 17-545D**

60° Bend, 3-3/4"

Aluminum Wheels

w/ .625" Rim Hole

Box Quantity = Each



**Part No. 17-544D**

60° Bend, 1.94"

### VALVE CAP

**Part No. 17-491T**

Heavy Duty Dome  
Cap for Truck Service  
w/Heat-Resistant  
Sealing Washer  
Box Quantity = 100



### VALVE CAP

**Part No. 17-579**

Double Seal  
Valve Cap

Box Quantity = 50



### TRUCK VALVE EXTENSION

**Part No. 17-580**

8-1/4" Metal Braided

Flexible Valve

Extension

Box Quantity = Each



### TRUCK VALVE EXTENSION

**Part No. 17-581**

1" Long Collar Type

3-1/16" Effective

Length

Box Quantity = Each



### TRUCK VALVE EXTENSION

**Part No. 17-583**

Long Collar Type

6-1/16" Effective

Length

Box Quantity = Each



### TRUCK TIRE VALVE STEM

**Part No. 17-501T**

1-1/2" Valve Length

Steel Wheel

w/ .625" Rim Hole

Box Quantity = Each



### TANK VALVES

**Part No. 17-593**

27/32" OAL

1/8" NPT Thread

7/16" Hex Size

Box Quantity = Each



### TANK VALVES

**Part No. 17-594**

27/32" OAL

1/4" NPT Thread

7/16" Hex Size

Box Quantity = Each





## FLEETCRAFT AIR SPRINGS

- **Quality tested components by major manufacturers.**
- **Broad selection.**
- **Proven Products for over 20 years.**
- **2 year Warranty.**
- **The Air Spring is a key element in the suspension performance!**
- **Fleetcraft is the brand of choice as your value solution in air springs!**



**Fleetcraft air springs** are manufactured by high quality manufacturers who have been supplying heavy-duty markets in Europe and in the USA for many years.



| <b>Part No.</b> | <b>Application</b>                        |
|-----------------|---|
| FC106897        | Watson & Chalin                           |
| FC107555        | Reyco AR & SAF-Holland                    |
| FC108050        | Hendrickson, Reyco, Watson                |
| FC108091        | Hendrickson Trailer                       |
| FC108204        | SAF-Holland                               |
| FC108708        | Hendrickson Trailer                       |
| FC108709        | Hendrickson                               |
| FC108713        | Hendrickson                               |
| FC108729        | Meritor                                   |
| FC108755        | Hendrickson                               |
| FC108829        | Volvo                                     |
| FC109069        | Peterbilt                                 |
| FC109082        | Hendrickson, Hutchens, SAF-Holland        |
| FC109101        | Navistar, SAF-Holland, Reyco, Ridewell    |
| FC109122        | Hendrickson, SAF-Holland, Reyco, Ridewell |
| FC109265        | Hendrickson Trailer                       |
| FC109270        | Hendrickson                               |
| FC109293        | SAF-Holland                               |
| FC109366        | SAF-Holland, Watson & Chalin              |
| FC109375        | SAF-Holland                               |
| FC109394        | Fruehauf                                  |
| FC109422        | Hendrickson                               |
| FC109580        | Hendrickson                               |
| FC109648        | Navistar                                  |
| FC109780        | Freightliner                              |
| FC109781        | Freightliner                              |
| FC109807        | Firestone 1690/9192, SAF-Holland          |
| FC109875        | Firestone 1191, Navistar                  |
| FC109921        | SAF-Holland, Watson & Chalin              |
| FC109935        | SAF-Holland                               |





## CONTITECH AIR SPRINGS

**Continental**   
**CONTITECH**

### Air Springs For Commercial Vehicles

**2 Year / 200,000 Mile Warranty**

ContiTech Air Spring Systems is one of the world's leading air spring manufacturer. ContiTech has been developing diverse and innovative solutions to meet our global customers' needs and requirements for over five decades.

Today, ContiTech Air Spring Systems offers the largest range of air spring designs, unique testing technology, state-of-the-art production facilities and excellent sales service worldwide.

ContiTech air springs are manufactured with high quality elastomer materials, accounting for their excellent dynamic properties and longevity. All individual components, including the bellows, piston and ancillary parts, are designed to build a perfectly harmonized system for safety, comfort and service life.

ContiTech air springs stand for high strength metal and plastic components, easy installation and precise spring characteristics designed to the requirements of the specific application to ensure maximum performance.



**Continental**   
**CONTITECH**





## FIRESTONE AIR SPRING IDENTIFICATION AND APPLICATION



**Firestone**  
**World's Number 1**  
**Air Spring.**   
 FIRESTONE INDUSTRIAL PRODUCTS COMPANY

**AIRIDE**  
 SPRINGS

Firestone revolutionized transportation when they introduced the **Airide™** air spring in 1934. Since that time, they have designed and manufactured more air springs for more applications than any other air spring company in the world.

It's why **Firestone** has earned the right to be called the "World's Number 1 Air Spring."  
But the proof is on the road. 3-Year / 300,000 Mile Limited Warranty.

Consistent Quality is your best protection. **The Airide™ brand is the foundation of Firestone** Industrial Products—a name synonymous with quality, performance and unparalleled support. Firestone Airide air springs offer total life cycle value, are designed to OEM specifications and offer unmatched reliability. More suspension builders use Firestone Airide air springs than any other brand.

**Replace with the best-Firestone Airide air springs.**

### What Components make up a Firestone Airide™ Spring?

**1-Stud.** Manufactured as a permanent part of the bead plate assembly for maximum strength and durability. Used to attach the spring to the vehicle's suspension.

**2-Combo Stud.** Serves the dual purpose of mounting the spring to the suspension and providing an entrance for air.

**3-Blind Nut.** Also a permanent part of the bead plate assembly. Provides an alternative mounting system to the stud.

**4-Air Fitting.** Usually 1/4 N.P.T.

Provides an air entrance to the bellows.

**5-Bead Plate.** Crimped onto the bellows at the factory for a more durable design and maximum quality control. Allows 100% leakproof testing prior to shipment.

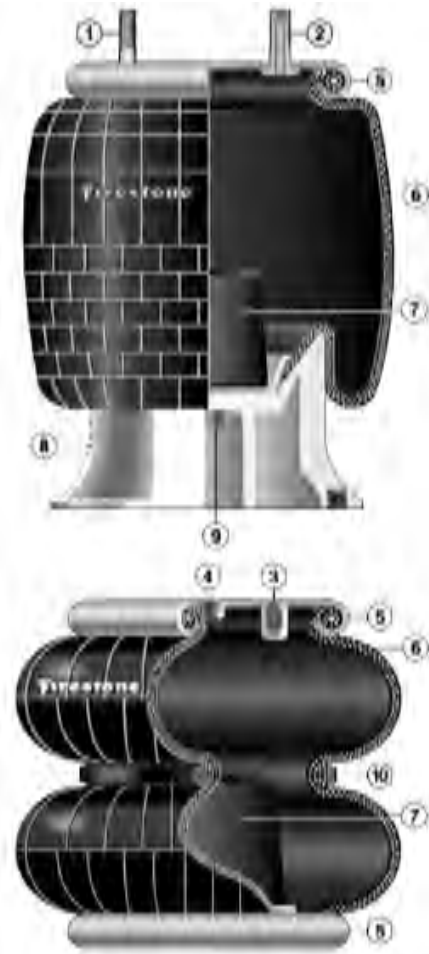
**6-Bellows.** The "air bag" includes four plies of material: an inner layer, two plies of cord-reinforced fabric, and an outer cover. Natural rubber construction provides functional properties to -65F.

**7-Bumper.** A solid rubber or engineered plastic device designed to prevent significant damage to the vehicle or suspension in the event of a sudden loss of air pressure in the spring.

**8-Piston.** Provides a lower mounting arrangement for the air spring. Controls the characteristics of the spring under changing pressure loads.

**9-Piston Bolt.** Attaches the piston to the bellows. Sometimes extended as a means of attaching the spring to the vehicle suspension.

**10-Girdle hoop.** A wire-wound ring molded into the bellows to provide lateral stability in convoluted type springs.



**AIR SPRING INTERCHANGE**

| <b>FIRESTONE</b> | <b>CONTITECH</b> | <b>GOODYEAR</b> | <b>FIRESTONE</b> | <b>CONTITECH</b> | <b>GOODYEAR</b> |
|------------------|------------------|-----------------|------------------|------------------|-----------------|
| FS0783           | CT65807          | 1R12-467        | FS9121           | CT64272          | 1R13-039        |
| FS1190           | CT73745          | 1R12-523        | FS9122           | CT64273          | 1R13-038        |
| FS1191           | CT73746          | 1R12-432        | FS9134           | CT64391          | 1R14-137        |
| FS6262           | CT65831          | N/A             | FS9192           | CT64323          | 1R12-167        |
| FS6799           | CT64605          | 2B14-476        | FS9213           | CT64308          | 1R12-090        |
| FS6801           | CT64590          | 2B14-365        | FS9243           | CT64329          | 1R12-480        |
| FS6897           | CT64517          | 2B9-229         | FS9264           | CT64637          | 1R14-127        |
| FS6902           | CT64509          | 2B9-239         | FS9265           | CT64288          | 1R12-375        |
| FS6905           | CT64510          | 2B9-206         | FS9270           | CT64287          | 1R13-119        |
| FS6910           | CT64267          | 2B9-200         | FS9287           | CT64277          | 1R12-424        |
| FS6927           | CT64553          | 2B9-218         | FS9293           | CT64388          | 1R10-120        |
| FS6935           | CT64515          | 2B9-201         | FS9295           | CT64386          | 1R11-166        |
| FS6944           | CT64554          | 2B9-252         | FS9296           | CT64310          | 1R12-400        |
| FS7135           | CT64543          | 2B14-360        | FS9307           | CT64439          | 1R12-435        |
| FS7136           | CT64545          | 2B14-356        | FS9320           | CT64382          | 1R12-363        |
| FS7410           | CT64268          | 2B12-406        | FS9321           | CT64715          | 1R12-335        |
| FS7443           | CT64531          | 2B12-305        | FS9362           | CT64304          | 1R12-441        |
| FS7555           | CT64284          | 2B12-440        | FS9365           | CT64460          | 1R12-571        |
| FS7795           | CT67705          | 2B10-226        | FS9366           | CT64459          | 1R12-487        |
| FS7800           | CT64505          | 3B14-360        | FS9367           | CT64716          | 1R12-256        |
| FS7818           | CT64503          | 3B14-359        | FS9370           | CT64383          | 1R12-580        |
| FS7843           | CT64581          | 3B14-364        | FS9371           | CT69646          | 1R12-401        |
| FS7990           | CT64648          | 3B12-329        | FS9373           | CT64336          | 1R12-403        |
| FS8008           | CT64562          | 3B12-300        | FS9375           | CT64264          | 1R12-404        |
| FS8018           | CT64285          | 3B12-303        | FS9394           | CT64281          | 1R12-281        |
| FS8032           | CT64560          | 3B12-319        | FS9422           | CT64255          | 1R11-028        |
| FS8033           | CT64571          | 3B12-312        | FS9466           | CT64276          | 1R12-365        |
| FS8050           | CT64254          | 1R14-039        | FS9471           | CT69648          | 1R12-504        |
| FS8091           | CT64421          | 1R14-171        | FS9471           | CT69662          | 1R12-552        |
| FS8204           | CT64456          | 1R12-508        | FS9472           | CT64417          | 1R12-553        |
| FS8637           | CT64649          | 1R13-155        | FS9580           | CT64394          | 1R13-118        |
| FS8708           | CT64638          | 1R13-177        | FS9616           | CT64256          | 1R11-242        |
| FS8709           | CT64645          | 1R13-159        | FS9622           | CT68359          | 1R11-221        |
| FS8713           | CT64636          | 1R13-176        | FS9640           | CT64395          | 1R12-367        |
| FS8723           | CT67600          | 1R13-097        | FS9648           | CT73770          | 1R12-538        |
| FS8729           | CT64420          | 1R13-130        | FS9780           | CT67473          | 1R12-303        |
| FS8748           | CT64252          | 1R13-152        | FS9781           | CT64266          | 1R12-603        |
| FS8749           | CT64419          | 1R13-153        | FS9807           | CT68151          | 1R12-1047       |
| FS8755           | CT64397          | 1R13-124        | FS9921           | CT64402          | 1R12-502        |
| FS8774           | CT65593          | 1R14-172        | FS9923           | CT64278          | 1R12-481        |
| FS8782           | CT66340          | 1R13-109        | FS9935           | CT64412          | 1R12-532        |
| FS8829           | CT64312          | 1R12-615        | FS9936           | CT64405          | 1R12-499        |
| FS8852           | CT64339          | 1R12-568        | FS9974           | CT67586          | 1R12-1048       |
| FS8944           | CT64401          | 1R12-366        | FS9978           | CT67588          | N/A             |
| FS9010           | CT64258          | 1R12-421        | FS9083           | CT64294          | 1R12-066        |
| FS9026           | CT64306          | 1R12-567        | N/A              | CT64762          | 1R12-494        |
| FS9039           | CT64260          | 1R12-095        | N/A              | CT70659          | 2B9-611         |
| FS9069           | CT64274          | 1R12-069        |                  |                  |                 |
| FS9082           | CT64269          | 1R12-092        |                  |                  |                 |
| FS9101           | CT64279          | 1R12-103        |                  |                  |                 |
| FS9105           | CT64445          | 1R12-132        |                  |                  |                 |



## FIRESTONE AIR SPRINGS



**Firestone**  
**World's Number 1**  
**Air Spring.**   
FIRESTONE INDUSTRIAL PRODUCTS COMPANY

**AIRIDE**  
SPRINGS

| <b>Part No.</b> | <b>Application and Interchange Information</b>                              |
|-----------------|---|
| <b>FS5423</b>   | Granning 5235, 5307   |
| <b>FS6231</b>   | W01-358-6231  |
| <b>FS6262</b>   | W01-358-6262  |
| <b>FS6801</b>   | EZ Ride 8030160, Hendrickson S2734, Ridewell 1003586801C, Watson AS-0021    |
| <b>FS6897</b>   | Watson & Chalin AS-0058   |
| <b>FS6902</b>   | Granning 4848, Hend S2630, Ridewell 1003586902C, Watson AS-0002             |
| <b>FS6905</b>   | Hend S3518 S5270, Ridewell 1003586905C, Watson & Chalin AS-0020             |
| <b>FS6908</b>   | Watson & Chalin AS-0035   |
| <b>FS6910</b>   | Goodyear 2B9-200, Hendrickson S8768   |
| <b>FS6935</b>   | Goodyear 2B9-201, Hendrickson S14318  |
| <b>FS6944</b>   | Histeer 10307   |
| <b>FS7036</b>   | Cab Air Spring - Peterbilt application 29-03200                             |
| <b>FS7135</b>   | SAF Holland 90557001, Ridewell 1003587135C,                                 |
| <b>FS7136</b>   | Granning 1626, Hend S1080, Ridewell 1003587136C, Watson & Chalin AS-0004    |
| <b>FS7140</b>   | Granning 1015, Hend S3184, Ridewell 1003587140C, Watson & Chalin AS-0008    |
| <b>FS7205</b>   | Cab Air Spring, Goodyear 1S5-175, 660033406                                 |
| <b>FS7215</b>   | Cab Air Spring, Goodyear 1S5-175  |
| <b>FS7403</b>   | Granning 2725, Hend S1159, S2883, Ride 1003587403C, Watson&Chalin AS-0007   |
| <b>FS7405</b>   | Goodyear 2B12-313, 10384-01   |
| <b>FS7424</b>   | SAF Holland 90557014 (AL41 & 45)  |
| <b>FS7443</b>   | Granning 1218, 7416, Ridewell 1003587443C, Watson & Chalin AS-0027          |
| <b>FS7472</b>   | Goodyear 2B12-434, Hendrickson S12335                                       |
| <b>FS7505</b>   | Hendrickson 001347  |
| <b>FS7555</b>   | Reyco 20018-01 (86AR), SAF Holland Binkley XB-SPN-053-37                    |
| <b>FS7686</b>   | Rowe Truck 0035, ASC2500, ASC1600   |
| <b>FS7705</b>   | Watson & Chalin AS-006, replaces 7503                                       |
| <b>FS7795</b>   | Hend S14486 (lift bag), Hendrickson Auxillary 003317-metric version.        |
| <b>FS7798</b>   | Granning 1613, Watson & Chalin AS-0006                                      |
| <b>FS7808</b>   | Goodyear 3B14-354   |
| <b>FS7956</b>   | Rowe Truck 0059 ASC1500   |
| <b>FS7996</b>   | Goodyear 3B12-335, 8221   |
| <b>FS8018</b>   | Histeer, Reyco 93AR, Watson & Chalin  |
| <b>FS8027</b>   | Goodyear 3B12-310, 200117   |
| <b>FS8033</b>   | Hendrickson S14487 (Ride Bag) Hendrickson Auxillary 003316 (metric version) |
| <b>FS8050</b>   | Hendrickson S4771, Reyco 23631-01, Watson AS-0039, 1T19J-6                  |
| <b>FS8091</b>   | Goodyear 1R14-171, Hendrickson S21784, Fleetcraft FC108091                  |
| <b>FS8204</b>   | Goodyear 1R12-508, SAF-Holland 90557223, Fleetcraft FC108204                |
| <b>FS8708</b>   | Goodyear 1R13-177, Hendrickson S21966, Fleetcraft FC108708                  |



## FIRESTONE AIR SPRINGS



**Firestone**  
*World's Number 1*  
**Air Spring.**   
 FIRESTONE INDUSTRIAL PRODUCTS COMPANY

**AIRIDE™**  
 SPRINGS

| <b>Part No.</b> | <b>Application and Interchange Information</b>  |
|-----------------|---|
| <b>FS8709</b>   | Hendrickson S22046 (HK230 susp) replaces 8756   |
| <b>FS8713</b>   | Hendrickson S22948 (Van Traax) -prior to 09/99 used 9525 piston w/bumper spacer   |
| <b>FS8723</b>   | Goodyear 1R13-097   |
| <b>FS8729</b>   | Goodyear 1R13-130, A2258F1410, Fleetcraft FC108729  |
| <b>FS8748</b>   | Goodyear 1R13-152   |
| <b>FS8749</b>   | Goodyear 1R13-153   |
| <b>FS8755</b>   | Hendrickson S22045 (HK190T)   |
| <b>FS8774</b>   | Goodyear 1R14-172, Hendrickson S25873   |
| <b>FS8781</b>   | SAF Holland 90557205  |
| <b>FS8829</b>   | Volvo 3934699, 8079902  |
| <b>FS8852</b>   | Peterbilt 03-07887 (Low air leaf)   |
| <b>FS8864</b>   | WO1-358-8864  |
| <b>FS8888</b>   | Rowe Truck 0027, ASC2500  |
| <b>FS8944</b>   | Hendrickson S20217 (HT190U), replaces 9015  |
| <b>FS9026</b>   | Peterbilt 03-06213, Peterbilt 03-07111  |
| <b>FS9039</b>   | Hend S2064, S11650, SAF Holland 90557001, 90557023, 90557085, Hutchens H-9424-01, Ridewell 1013589039C, Watson & Chalin AS-0012 |
| <b>FS9069</b>   | Peterbilt 03-02456, 03-04759, 03-01649, 03-06746, 03-07112, 03-0238   |
| <b>FS9082</b>   | Hendrickson S2066, S11651, Hutchens H-9630-01, SAF Holland 90557006, 90557027, 90557037, 90557054, 90557075, Reyco 12882-01     |
| <b>FS9083</b>   | Granning 1359, watson & Chalin AS-0028, Ridewell 1003589083C, Hend S1561  |
| <b>FS9101</b>   | SAF Holland 90557008, 90557009, 90557082, Ridewell 1003589101C, Reyco 12883-01  |
| <b>FS9105</b>   | Hend S1245, Granning 5065, Ridewell 1003589105C, Watson & Chalin AS-0015  |
| <b>FS9121</b>   | Goodyear 1R13-039, Hendrickson S13160   |
| <b>FS9122</b>   | Hend S3467, S3830 SAF Holland 90557020, 90557071, 90557076, 90557077<br>Reyco 12883-02, Ridewell 1003589122C                    |
| <b>FS9158</b>   | Hend S2063, SAF Holland 90557005, 90557069, Ridewell 1003589158C  |
| <b>FS9192</b>   | Hend S6195, SAF Holland 90557086, 90557108, Watson & Chalin AS-0038 /46   |
| <b>FS9213</b>   | Navistar 501559C-1, 501559C-2, 1660581C-1   |
| <b>FS9219</b>   | Volvo/GM 35003-3201, 35203-3203, 35003-3204, 35003-3209   |
| <b>FS9243</b>   | Goodyear 1R12-480, SAF-Holland 90557112   |
| <b>FS9264</b>   | Goodyear 1R12-127, Hendrickson S13122   |
| <b>FS9265</b>   | Hend S20124 (HT250T) C20413, HT-250U, HT-250U-Y   |
| <b>FS9270</b>   | Hend S20010 (HT230T)  |
| <b>FS9287</b>   | Hend 50405-1, 50405-2, Ford & Western Star HA-360/400/460 since '90   |
| <b>FS9293</b>   | SAF Holland 90557120 (RL196-14, RL196A-14)  |
| <b>FS9295</b>   | SAF Holland 90557127 (RL196-12)   |
| <b>FS9296</b>   | Goodyear 1R12-400, 8061151  |



## FIRESTONE AIR SPRINGS



**Firestone**  
**World's Number 1**  
**Air Spring.**   
FIRESTONE INDUSTRIAL PRODUCTS COMPANY

**AIRIDE™**  
SPRINGS

| <b>Part No.</b> | <b>Application and Interchange Information</b>                               |
|-----------------|--|
| <b>FS9307</b>   | Goodyear 1R12-435, SAF-Holland 90557129                                      |
| <b>FS9320</b>   | SAF Holland 90557099, Silent Drive   |
| <b>FS9321</b>   | Watson & Chalin AS-0036  |
| <b>FS9362</b>   | Watson & Chalin AS-0049, SAF Holland 90557113 (AR90-1-14 & 17), (AR75-6 & 9) |
| <b>FS9365</b>   | Goodyear 1R12-571, SAF-Holland 90557159                                      |
| <b>FS9366</b>   | SAF Holland 90557160, 90557210, 90557225, Watson & Chalin AS-0054            |
| <b>FS9367</b>   | Hend S14249, Hend Auxillary 003319 (metric)                                  |
| <b>FS9370</b>   | Watson & Chalin AS-0057  |
| <b>FS9371</b>   | Navistar 1670073C-1, 1686386C-1, 2027911C-1                                  |
| <b>FS9373</b>   | Hend 57122-2, Ford Class 8 HAS-360/400/402/460                               |
| <b>FS9375</b>   | Hend 50899-1 & 2, Mack Class 8 57QL414M, Mack 3645Q27, 57QL414M              |
| <b>FS9394</b>   | Fruehauf UCD-9393-2, if bolt is removed this can replace UCE-9393-1          |
| <b>FS9421</b>   | Goodyear 1R11-171, 8003003   |
| <b>FS9422</b>   | Kenworth K303-6, K303-14, K303-15  |
| <b>FS9466</b>   | Hend 49048 for Ford, Hend 49674-1&2 for Mack, Mack 57QL411M                  |
| <b>FS9471</b>   | SAF holland AD-123, AD-246-10, 90557146, 90557182, 90557212, 90557214        |
| <b>FS9501</b>   | SAF Holland 90557214 - comes without studs                                   |
| <b>FS9541</b>   | Goodyear 1R9-070, C81-1005   |
| <b>FS9580</b>   | Hend S20127 (HT-250U9-006) (HT250UY 9Y-006)                                  |
| <b>FS9616</b>   | Kenworth Airglide 100, K-303-16  |
| <b>FS9617</b>   | Kenworth Airglide 200, K-303-22  |
| <b>FS9622</b>   | Goodyear 1R11-221  |
| <b>FS9640</b>   | Hend S20223 (HT-190T, HS-190T)   |
| <b>FS9646</b>   | W01-358-9646   |
| <b>FS9647</b>   | 57QL417M, 58786-2  |
| <b>FS9648</b>   | Goodyear 1R12-538, Fleetcraft FC109648                                       |
| <b>FS9654</b>   | W01-358-9654   |
| <b>FS9865</b>   | Hendrickson Truck 67043-002  |
| <b>FS9663</b>   | Hend 60271-2   |
| <b>FS9780</b>   | Freightliner 16-13810-000 (plastic), 681-320-0017 (alum) 16-1673-000 (steel) |
| <b>FS9781</b>   | Freightliner 16-13840-000 (plastic), 681-320-0017 (alum) 16-1673-000 (steel) |
| <b>FS9807</b>   | Firestone 1690/91/92, SAF Holland 90557363, 48100492/3/4                     |
| <b>FS9921</b>   | SAF Holland 90557117 (AR92-12 & 14) (AR93-14) Watson & Chalin AS-0090        |
| <b>FS9922</b>   | SAF Holland 90557119 (AR92-17) (AR93-17)                                     |
| <b>FS9923</b>   | Goodyear 1R12-481  |
| <b>FS9935</b>   | SAF Holland 90557157 (RL228-17) 90557301                                     |
| <b>FS9936</b>   | SAF Holland 90557156 (RL228-14/15/16) 90557300                               |
| <b>FS9974</b>   | SAF Holland 90557332   |
| <b>FS9978</b>   | Hendrickson S28929   |



## HENDRICKSON AIR SPRINGS

Air springs ensure that an air suspension is consistently operating at the correct ride height.



**Hendrickson** uses proprietary air springs designed and tested to deliver optimal performance on our suspension systems in specific applications.

Variations in internal bumpers and flexmember bias can affect how much weight is carried by a given amount of air, which could mean a front axle in a tandem weighs out differently from the rear. Ensure optimum suspension performance by using **Hendrickson Genuine air springs**.

### MOUNTING KITS:

| Part No.        | Applications                          |
|-----------------|---------------------------------------|
| <b>S22619/2</b> | Mounting Kit- no spacer.              |
| <b>S22630/2</b> | Mounting Kit-Vantraax, 1-1/8" spacer. |
| <b>S22631/2</b> | Mounting Kit-Vantraax, 1-7/8" spacer. |
| <b>S22632/2</b> | Mounting Kit-Vantraax, 3-1/8" spacer. |
| <b>S22635/2</b> | Mounting Kit, 3/4" spacer.            |
| <b>S22908/2</b> | Mounting Kit-HK190 3/4" spacer.       |
| <b>S22909/2</b> | Mounting Kit-HT-S.                    |



### SPACERS:

|                 |                                      |
|-----------------|--------------------------------------|
| <b>B22510-1</b> | Spacer. 1.125" x .937"               |
| <b>C20036-1</b> | Spacer. Plate. HT190 15" ride height |
| <b>C20036-3</b> | Spacer. Plate. HT190 17" ride height |

| Part No.        | Applications and Interchanges     |
|-----------------|-----------------------------------|
| <b>S20010</b>   | HT230,HS230, Firestone 9270       |
| <b>S20124</b>   | HT250T,HS250U, Firestone 9265     |
| <b>S20127</b>   | HT250US, F/S9580, G/Y1R13-118     |
| <b>S20217</b>   | HT190U, F/S8944, G/Y 1R12-366     |
| <b>S20223</b>   | HS190T, HT190T, F/S9640           |
| <b>S20901</b>   | AAT25 Intraax, Firestone 8091     |
| <b>S21786</b>   | Air Spring bottom disk            |
| <b>S21800</b>   | AA230,HKA180. F/S8709             |
| <b>S22045</b>   | HK190T, Firestone 8755            |
| <b>S22046</b>   | HK230, Firestone 8710             |
| <b>S22948</b>   | HKA180 Vantraax, Firestone 8713   |
| <b>S23114</b>   | UBL lift bag, Firestone 7897      |
| <b>S23612</b>   | Intsusp.11471, Firestone 9645     |
| <b>S23613</b>   | Vantraax 230                      |
| <b>S23614</b>   | Low mount Intraax                 |
| <b>S23720</b>   | AA230L, Firestone 9626            |
| <b>S23721</b>   | Intraax AAL 6.5, 7.5 ride heights |
| <b>S24445</b>   | AAEDL 30K                         |
| <b>S25872</b>   | AA30K                             |
| <b>S28929</b>   | Vantraax 40K, Firestone 9978      |
| <b>S29892</b>   | SR1VA105 with mounting hardware   |
| <b>SR1VA105</b> | Dana slider, goodyear 1R13-188    |



## SAF-HOLLAND AIR SPRINGS / MERITOR AIR SPRING

| Part No.        | Applications and Interchange Info   |
|-----------------|---|
| <b>50857000</b> | CB400-16.5 / 17, Firestone 9807<br><i>Use with Spacers 93600560, 90036274, 90036275</i> |
| <b>90557112</b> | AR90-14   |
| <b>90557123</b> | ARDAB-120/240-5   |
| <b>90557129</b> | Goodyear 1R12-435, 1R12-095   |
| <b>90557156</b> | RL228-14/16   |
| <b>90557157</b> | RL228-17  |
| <b>90557168</b> | RL250-12/16/17  |
| <b>90557203</b> | CBL Lift Kits   |
| <b>90557213</b> | Firestone 9472, 8467, Goodyear 1R15-553   |
| <b>90557216</b> | Goodyear 1R12-486, Firestone 9604 / 9473  |
| <b>90557223</b> | Wabash WW190, Fire 8204, GY 1R12-508  |
| <b>90557225</b> | NS190, Firestone 9366   |



| Part No. A2258F1410 | Applications  |
|---------------------|---|
|                     | All Meritor RHP and MPA suspensions. 16.5" ride height. |
|                     | Interchange numbers:                                    |
|                     | Meritor 202796  |
|                     | Firestone FS8729  |
|                     | Goodyear 1R13-130                                       |



**MERITOR**





## MONROE SHOCK ABSORBERS

### MONROE COMMERCIAL VEHICLE GAS MAGNUM®-60

#### Gas-Magnum 60® Shock Absorbers

The Monroe® Gas-Magnum® 60 shock absorber is gas-charged for quicker response and a stable, more comfortable ride. Replacing worn-out units with hard-working Gas-Magnum 60 shocks can help reduce excessive vibration. The result can be better tire life, less downtime and a lower cost per mile.



#### Construction Features

- Bonded Bushings\*
  - Nitrogen Gas Charged
  - 2-Inch Reserve Tube
  - 1-3/8 Inch Bore\*
  - 5/8-Inch Diameter Piston Rod
  - Resistance and arc-welded mounts
  - Unique hydraulic lockout
  - 10-Stage Valving
  - All weather fluid
- \* on most applications



### MONROE COMMERCIAL VEHICLE GAS MAGNUM®-65

#### Gas-Magnum® 65 Shock Absorbers

The Monroe® Gas-Magnum® 65 shock absorber is the first gas-charged, large bore shock specifically designed for air spring and taper leaf suspensions. Its nitrogen gas charge provides the fast response essential for today's heavy truck suspension systems. Its extra-large piston bore is engineered to handle the demands of high mileage and severe use. When combined, the gas charge and large bore provide the consistent control necessary for demanding truck suspensions.



#### Construction Features

- Single Lip, Low-Friction Oil Seal
  - Nitrogen Gas Charged
  - 2-3/8 inch reserve tube
  - 1-3/4 inch bore
  - 23/32 inch piston rod
  - Resistance and arc-welded mounts
  - Unique Hydraulic Rebound Lockout\*\*
  - All weather fluid
  - 10 stage valving
  - Bonded bushings\*
- \* Most applications / \*\*When required



### MONROE COMMERCIAL VEHICLE MAGNUM™ 70

#### Magnum™ 70 Shock Absorbers

Tough Magnum™ 70 shock absorbers deliver a firm, controlled ride for greater stability and increased driver comfort. Magnum™ shocks meet or exceed demanding OE manufacturer specifications.



#### Construction Features

- Single Lip, Low-Friction Oil Seal
  - 2-3/4 inch reserve tube
  - 1-3/4 inch bore
  - 23/32 inch piston rod
  - Resistance and arc-welded mounts
  - Unique Hydraulic Rebound Lockout\*\*
  - All weather fluid
  - Bonded bushings\*
  - 10 stage valving
- \* Most applications / \*\*When required





## MONROE SHOCK ABSORBERS

**PROTECT YOUR INVESTMENT**

The right choice for exceptional performance, durability and truck productivity.

[LEARN MORE](#)

### GAS-MAGNUM® 65 SHOCK ABSORBERS - A PARTIAL LIST OF POPULAR SHOCKS

| Part No. | Description   | Application Info     | Part No. | Description   | Application Info     |
|----------|---------------|----------------------|----------|---------------|----------------------|
| 65101M   | Gas Magnum 65 | Peterbilt            | 65415M   | Gas Magnum 65 | Autocar/Volvo        |
| 65102M   | Gas Magnum 65 | Ford/Kenworth        | 65416M   | Gas Magnum 65 | East/Hendrickson     |
| 65103M   | Gas Magnum 65 | Ford/Mack/IHC        | 65418M   | Gas Magnum 65 | Neway                |
| 65105M   | Gas Magnum 65 | Volvo/White          | 65419M   | Gas Magnum 65 | Hend/Holl/Utility    |
| 65106M   | Gas Magnum 65 | Navistar/Thomas      | 65420M   | Gas Magnum 65 | Bluebird/Ford        |
| 65107M   | Gas Magnum 65 | Navistar/IHC         | 65421M   | Gas Magnum 65 | Fruehauf/Holland     |
| 65109M   | Gas Magnum 65 | Navistar/IHC         | 65429M   | Gas Magnum 65 | Ford/Sterling        |
| 65110M   | Gas Magnum 65 | Mack/PAI             | 65435M   | Gas Magnum 65 | Freightliner         |
| 65113M   | Gas Magnum 65 | Peterbilt            | 65431M   | Gas Magnum 65 | KW/Mack/Holland      |
| 65139M   | Gas Magnum 65 | Freightliner         | 65434M   | Gas Magnum 65 | Peterbilt            |
| 65140M   | Gas Magnum 65 | Freightliner         | 65436M   | Gas Magnum 65 | Kenworth             |
| 65143M   | Gas Magnum 65 | Navistar/IHC 4300    | 65444M   | Gas Magnum 65 | GMC/Navistar         |
| 65144M   | Gas Magnum 65 | Navistar/IHC 4300    | 65466M   | Gas Magnum 65 | Autocar/Volvo        |
| 65147M   | Gas Magnum 65 | Navistar/IHC         | 65479M   | Gas Magnum 65 | Hend/Ford/GMC        |
| 65148M   | Gas Magnum 65 | Freightliner         | 65480M   | Gas Magnum 65 | Hend/Ford/Mack/WS    |
| 65159M   | Gas Magnum 65 | Kenworth / Peterbil  | 65482M   | Gas Magnum 65 | Fliner/Hend/Ford/WS  |
| 65159M   | Gas Magnum 65 | Kenworth / Peterbilt | 65484M   | Gas Magnum 65 | Hend/Western Star    |
| 65400M   | Gas Magnum 65 | Peterbilt            | 65486M   | Gas Magnum 65 | Volvo/White/GMC/Mk   |
| 65401M   | Gas Magnum 65 | Peterbilt            | 65490M   | Gas Magnum 65 | Freightline/Sterling |
| 65402M   | Gas Magnum 65 | Peterbilt            | 65492M   | Gas Magnum 65 | Navistar/IHC         |
| 65404M   | Gas Magnum 65 | Kenworth             | 65493M   | Gas Magnum 65 | Ridewell             |
| 65405M   | Gas Magnum 65 | Peterbilt/Volvo      | 65494M   | Gas Magnum 65 | Volvo/White/GMC/Mk   |
| 65406M   | Gas Magnum 65 | Autocar/Volvo        | 65497M   | Gas Magnum 65 | Volvo/White/GMC/Mk   |
| 65407M   | Gas Magnum 65 | Frieghtliner/Marmon  | 65495M   | Gas Magnum 65 | Kenworth/Peterbilt   |
| 65408M   | Gas Magnum 65 | Freightliner         | 65503M   | Gas Magnum 65 | A7805L1000           |
| 65409M   | Gas Magnum 65 | Navistar/IHC         | 65504M   | Gas Magnum 65 | Hendrickson          |
| 65410M   | Gas Magnum 65 | Fruehauf/Holland     | 65511M   | Gas Magnum 65 | Hendrickson          |
| 65411M   | Gas Magnum 65 | Hend/Ford/KW/Pete    | 65512M   | Gas Magnum 65 | Hendrickson          |





**MONROE SHOCK ABSORBERS**

**PROTECT YOUR INVESTMENT**

The right choice for exceptional performance, durability and truck productivity.

[LEARN MORE](#)

**GAS-MAGNUM® 60 SHOCK ABSORBERS - A PARTIAL LIST OF POPULAR SHOCKS**

|               |                |                          |               |               |                        |
|---------------|----------------|--------------------------|---------------|---------------|------------------------|
| <b>66104M</b> | Gas Magnum     | Freightliner/KW/Pete/Int | <b>66648M</b> | Gas Magnum 60 | Hend / Mack            |
| <b>66109M</b> | Gas Magnum Cab | Volvo / GMC              | <b>66656M</b> | Gas Magnum 60 | Hend / Mack            |
| <b>66118M</b> | Gas Magnum Cab | Freightliner             | <b>66660M</b> | Gas Magnum 60 | Holland                |
| <b>66145M</b> | Gas Magnum Cab | Peterbilt                | <b>66710M</b> | Gas Magnum 60 | IHC/Holl/Western Star  |
| <b>66147M</b> | Gas Magnum Cab | Freightliner             | <b>66811M</b> | Gas Magnum 60 | Ford / Kenworth        |
| <b>66159M</b> | Gas Magnum 60  | Kenworth                 | <b>66833M</b> | Gas Magnum 60 | Fhauf/GreatDane/more   |
| <b>66189M</b> | Gas Magnum 60  | Mack                     | <b>66860M</b> | Gas Magnum 60 | Ford/Navistar/Int      |
| <b>66502M</b> | Gas Magnum 60  | Watson & Chalin          | <b>66861M</b> | Gas Magnum 60 | Ford/Navistar/Int      |
| <b>66605M</b> | Gas Magnum 60  | Chevy/GMC/IHC            | <b>66863M</b> | Gas Magnum 60 | Ford/Navistar/Int      |
| <b>66607M</b> | Gas Magnum 60  | Bluebird/Holland         | <b>66878M</b> | Gas Magnum 60 | GMC/KW/Mack/more       |
| <b>66608M</b> | Gas Magnum 60  | Holland 90044162         | <b>66884M</b> | Gas Magnum 60 | Mack/Many Trailer      |
| <b>66610M</b> | Gas Magnum 60  | Bluebird / Holland       | <b>66886M</b> | Gas Magnum 60 | GMC/KW/Mack/more       |
| <b>66613M</b> | Gas Magnum 60  | Freightliner / Sterling  | <b>66891M</b> | Gas Magnum 60 | Ford/Mack/more         |
| <b>66627M</b> | Gas Magnum 60  | Holland 90044868         | <b>66893M</b> | Gas Magnum 60 | Freightliner/Mack/more |
| <b>66628M</b> | Gas Magnum 60  | GMC/Chevy                | <b>66894M</b> | Gas Magnum 60 | Hend/Ford/GMC/Mack     |
| <b>66633M</b> | Gas Magnum Cab | Holland                  | <b>66923M</b> | Gas Magnum 60 | Navistar/IHC           |
| <b>66634M</b> | Gas Magnum 60  | Holland 90044982         | <b>66924M</b> | Gas Magnum 60 | Navistar/IHC           |
| <b>66636M</b> | Gas Magnum 60  | Hend/Pete/GMC/more       | <b>66957M</b> | Gas Magnum 60 | Fliner/Ford/Hend/more  |
| <b>66638M</b> | Gas Magnum 60  | Hend/Ford/Mack/more      | <b>66969M</b> | Gas Magnum 60 | Hend/Reyco/Mack        |

**MAGNUM™ 70 SHOCK ABSORBERS - A PARTIAL LIST OF POPULAR SHOCKS**

| Part No.      | Description     | Application Info          | Part No.      | Description     | Application Info |
|---------------|-----------------|---------------------------|---------------|-----------------|------------------|
| <b>74405M</b> | Monro-Magnum 70 | Many Trailer applications | <b>74406M</b> | Monro-Magnum 70 | Pete/Int/More    |
| <b>74409M</b> | Monro-Magnum 70 | Kenworth / Peterbilt      | <b>74417M</b> | Monro-Magnum 70 | Navistar/GMC     |

**Part No.**  
**11866M**

**Description**  
Two Piece Bushing.  
Fits a 1-3/4" O.D. Loop  
Fits over a 3/4" dia. pin



**Part No.**  
**13480M**

**Description**  
Two Piece Bushing.  
Fits a 2-7/16" O.D. Loop  
Fits over a 1" dia. pin





## HENDRICKSON SHOCK ABSORBERS

### Hendrickson Shock Absorbers - Optimized ride quality / road stability / durability.

Nothing is quite like the Original. Visually, it may look compatible; however, the inner working parts of Hendrickson shocks distinguish them from non-genuine shocks. Hendrickson shocks feature a solid inner metal bushing to withstand high torque level requirements.

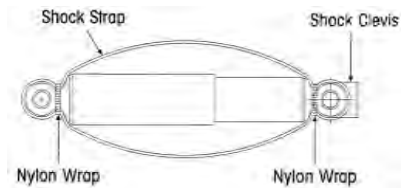
- Unique seal designs • Special bore diameters • Specific stroke lengths • Solid Inner metal bushings.
- Offer superior fit and functionality • Withstand Hendrickson's high torque level requirements.
- Improve damping life • Optimize system performance
- Reduce overall maintenance of your Hendrickson suspension system



| Part No.      | Description - Class Suspension                               |
|---------------|--|
| <b>S20001</b> | Most 190's,  |
| <b>S20002</b> | Most 230's & 250's   |
| <b>S20126</b> | Most 300's   |
| <b>S21292</b> | HK190T, HK230  |
| <b>S2212</b>  | HT190U-6.75, Most HT2507                                     |
| <b>S23548</b> | HT250TUS   |
| <b>S23566</b> | AA230T, AA250T   |
| <b>S23649</b> | HT250  |
| <b>S23650</b> | HT250US-5.5, HT250US-6.5                                     |
| <b>S23651</b> | HT250US-6.5-9, AAL23-25, AANT                                |
| <b>S24023</b> | AA230T, AA250T   |
| <b>S24088</b> | HKA180   |
| <b>S25515</b> | Front AAEDT 30K 16-17" ride height                           |
| <b>S29895</b> | Dana RS20, RS40. Includes mounting hardware and S23651 shock |

### Shock Strap/Bolt/Clevis Kits

| Part No.        | Desc. - Class Suspension                       |
|-----------------|--|
| <b>C23086-1</b> | Shock Strap Kit, includes clevis               |
| <b>S14587-1</b> | Shock Strap Kit - for S20001 and S20002 shock. |
| <b>S14587-3</b> | Shock Strap Kit - for S2212                    |
| <b>S20031/2</b> | Shock Bolt Kit - 1/2"                          |
| <b>S20069</b>   | Shock Clevis                                   |
| <b>S24021</b>   | Shock Bolt Kit - HIK230                        |
| <b>S24024</b>   | Shock Bolt Kit - HT250US                       |
| <b>S24049/2</b> | Shock Bolt Kit                                 |
| <b>S25516</b>   | Shock Bolt Kit - Surelok                       |
| <b>S2592</b>    | Shock Clevis                                   |
| <b>S2723</b>    | Shock bracket - lower assy                     |



## SAF HOLLAND SHOCK ABSORBERS

| Part No.        | Description - Class Suspension |
|-----------------|--------------------------------|
| <b>90044089</b> | AR250-12/14/15/16/17           |
| <b>90044162</b> | AR41, AR45, AR45-1             |
| <b>90044625</b> | AR70-9, AR70-14, AR95-8        |
| <b>90044626</b> | AR70-9, AR70-14, AR95-9        |
| <b>90044642</b> | AR92-12/14/15/16               |
| <b>90044978</b> | RL196-12/14/15/16              |
| <b>90045040</b> | RL196A-12/14/15/16             |
| <b>90045298</b> | CB2300                         |
| <b>90508004</b> | SHOCK BUSHING • For 3/4" pin.  |





## MERITOR® ALL-FIT SHOCK ABSORBERS

| Part No.       | Application                      |
|----------------|----------------------------------|
| <b>M646155</b> | Steer Stabilizer                 |
| <b>M83006</b>  | FREIGHTLINER                     |
| <b>M83028</b>  | CAB SHOCK                        |
| <b>M83038</b>  | FREIGHTLINER                     |
| <b>M83041</b>  | MACK                             |
| <b>M83048</b>  | VOLVO                            |
| <b>M83124</b>  | KENWORTH                         |
| <b>M83125</b>  | HENDRICKSON                      |
| <b>M83126</b>  | Hino, Navistar, Holland, Wabash  |
| <b>M83127</b>  | FREIGHTLINER                     |
| <b>M83128</b>  | East, Holland, Stoughton, Wabash |
| <b>M83203</b>  | Hutch / Reyco                    |
| <b>M83456</b>  | NAVISTAR                         |
| <b>M85000</b>  | HENDRICKSON                      |
| <b>M85001</b>  | MOST                             |
| <b>M85003</b>  | MOST                             |
| <b>M85012</b>  | INTERNATIONAL                    |
| <b>M85030</b>  | Ford, Navistar, Kenworth         |
| <b>M85047</b>  | VOLVO                            |
| <b>M85052</b>  | HENDRICKSON                      |
| <b>M85061</b>  | Mack, Volvo                      |
| <b>M85062</b>  | PETERBILT                        |
| <b>M85064</b>  | Great Dane, Hendrickson          |
| <b>M85066</b>  | Mack, Volvo                      |
| <b>M85067</b>  | Kenworth, Peterbilt              |
| <b>M85070</b>  | KENWORTH                         |
| <b>M85316</b>  | INTERNATIONAL                    |
| <b>M85320</b>  | FREIGHTLINER                     |
| <b>M85323</b>  | HENDRICKSON                      |
| <b>M85333</b>  | INTERNATIONAL                    |
| <b>M85724</b>  | FREIGHTLINER                     |
| <b>M85918</b>  | FREIGHTLINER                     |
| <b>M85919</b>  | FREIGHTLINER                     |
| <b>M85924</b>  | INTERNATIONAL                    |
| <b>M85931</b>  | INTERNATIONAL                    |
| <b>M85933</b>  | HENDRICKSON TRUCK                |
| <b>M85954</b>  | INTERNATIONAL                    |
| <b>M85958</b>  | FREIGHTLINER                     |

**Meritor AllFit shock absorbers** feature class-leading technology along with unsurpassed service and support. They are designed, engineered and manufactured to meet the needs of today's fleet customers. Our Meritor AllFit shock absorbers are an ideal choice for today's vehicles equipped with low-friction suspensions that have a higher amount of vertical travel, or "roll."

### Warranties That Are Comforting.

These Standard-Duty and Cab shock absorbers have a 1-Year/Unlimited Mileage warranty.

### Made In The U.S.A.



### MERITOR ALLFIT SHOCK ABSORBER FEATURES\*



**AIR SPRING & SHOCK ABSORBER REFERENCE TO SUSPENSION CHART**

| <b>Suspension Model Number</b> | <b>Air Spring Numbers</b>    | <b>Shock Absorber Numbers</b>   |
|--------------------------------|------------------------------|---------------------------------|
| <b>DANA</b>                    |                              |                                 |
| RoadRanger                     | SR1VA105, 1R13-188           | SR1JA102, S29895                |
| <b>HENDRICKSON</b>             |                              |                                 |
| HT190-14/15/16/17              | S20010, FS9270               | S20001, 65419M                  |
| HT230-14/15/16/17              | S20010, FS9270               | S20002, 65416M, M85323          |
| HT250-14/15/16/17              | S20124, FS9265               | S2212, 65519M/66636M, M83127    |
| <b>MERITOR</b>                 |                              |                                 |
| RHP11                          | A2258F1410, FS8729, 1R13-130 | M85919, 65503M                  |
| <b>REYCO</b>                   |                              |                                 |
| 86AR, RS1015-14/15/16/17       | 20018-01, FS7555, 2B12-440   | 18165-01, 66884M, M83125        |
| 86AR, RS1035-14/15/16/17       | 20018-01, FS7555, 2B12-440   | 18165-01, 66884M, M83125        |
| 86AR, RS1015-14/15/16/17       | 20018-01, FS7555, 2B12-440   | 18165-01, 66884M, M83125        |
| <b>SAF-HOLLAND</b>             |                              |                                 |
| CB400-15.5                     | 50857000, FS9807, 1R12-047   | 90045298, 66608M                |
| CB400-16                       | 50857000, FS9807, 1R12-047   | 90045298, 66608M                |
| CB400-16.5                     | 50857000, FS9807, 1R12-047   | 90044162, 66608M                |
| CB400-17                       | 50857000, FS9807, 1R12-047   | 90044162, 66608M                |
| CB400-18                       | 50857000, FS9807, 1R12-047   | 90045040, 66634M                |
| NS190-16                       | 90557223, FS8204, 1R12-508   | 90044162, 66608M                |
| NS190-16.5                     | 90557225, FS9366, 1R12-487   | 90045040, 66634M                |
| NS190-17                       | 90557225, FS9366, 1R12-487   | 90045054, 66610M                |
| NS400-16                       | 90557223, FS8204, 1R12-508   | 90045298, 66608M                |
| NS400-16.5                     | 90557225, FS9366, 1R12-487   | 90044162, 66608M                |
| NS400-17                       | 90557225, FS9366, 1R12-487   | 90045299, 66893M                |
| RL196-14                       | 90557120, FS9293, 1R10-120   | 90044978, 66660M                |
| RL196-15                       | 90557121, FS9295, 1R11-166   | 90044978, 66660M                |
| RL196-16                       | 90557121, FS9295, 1R11-166   | 90044979, 66636M, M83127        |
| RL196-17                       | 90557122,                    | 90044979, 66636M, M83127        |
| RL230-14                       | 90557117, FS9921, 1R12-502   | 90044642, 65519M/66636M, M83127 |
| RL230-15                       | 90557118, FS9923, 1R12-481   | 90044642, 65519M/66636M, M83127 |
| RL230-16                       | 90557118, FS9923, 1R12-481   | 90044089, 66886M                |
| RL230-17                       | 90557119, FS9922, 1R12-498   | 90044089, 66886M                |
| RL250-14                       | 90557167                     | 90045040, 66634M                |
| RL250-15                       | 90557167                     | 90045040, 66634M                |
| RL250-16                       | 90557168, FS8749, 1R12-153   | 90045299, 66893M                |
| RL250-17                       | 90557168, FS8749, 1R12-153   | 90045299, 66893M                |



**SINGLE LEAF SPRINGS**

Trailer Spring, Single Leaf -  
High 7<sup>1</sup>/<sub>8</sub>" Arch  
22,400 lb. GAWR  
Hutchens 360-00 (TRA-023)  
**Part No. 360-00**



Trailer Spring, Single Leaf -  
Low Arch  
22,400 lb. GAWR  
Hutchens 363-00  
**Part No. 363-00**



Trailer Spring, Single Leaf  
4<sup>3</sup>/<sub>4</sub>" Arch  
10,500 lb. capacity  
Replaces Fruehauf UXA0186-1  
**Part No. TRA011**



Trailer Spring, Single Leaf  
4<sup>3</sup>/<sub>4</sub>" arch,  
14,500 lb capacity  
Replaces Fruehauf UCC007280-001  
**Part No. TRA012**



Trailer Spring, Single Leaf  
Low 4<sup>5</sup>/<sub>8</sub>" arch,  
10,500 lb capacity  
Replaces Fruehauf UCD008315-001  
**Part No. TRA013**



Trailer Spring, Single Leaf  
High 4<sup>5</sup>/<sub>8</sub>" arch,  
10,500 lb. capacity  
Replaces Fruehauf UXA000178  
**Part No. TRA015**



Trailer Spring, Single Leaf - High 5<sup>1</sup>/<sub>4</sub>" Arch  
49" Axle Spacing, 10,500 lb. capacity  
OEM interchange number - Fruehauf UCD96371  
**Part No. TRA017**



Trailer Spring, Single Leaf - Low 4<sup>3</sup>/<sub>8</sub>" Arch  
42.5" Axle Spacing, 22,400 lb. GAWR  
Hutchens 7051-42  
**Part No. TRA026**



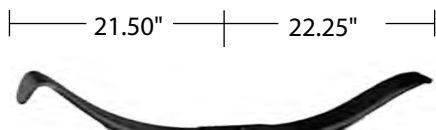
Trailer Spring, Single Leaf  
3-7/8" Low Arch,  
11,000 lb. capacity  
Replaces Reyco T5555, 5555-00  
**Part No. TRA031**



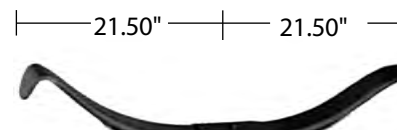
Trailer Spring, Single Leaf  
Medium 3" arch,  
11,000 lb. capacity  
Replaces Reyco T7297  
**Part No. TRA035**



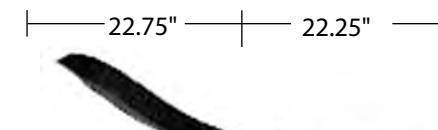
Trailer Spring, Single Leaf  
High 6<sup>5</sup>/<sub>16</sub>" arch,  
12,500 lb. capacity  
Replaces Reyco 0714-00  
**Part No. TRA037**



Trailer Spring, Single Leaf  
Medium 4<sup>1</sup>/<sub>2</sub>" arch,  
12,500 lb. capacity  
Replaces Reyco 1563601  
**Part No. TRA038**



Trailer Spring, Single Leaf  
High 5.38" arch, 3.5" wide Susp.  
11,000 lb. capacity  
Replaces Trailmobile 3-A3-56  
**Part No. TRA051**



Trailer Spring, Single Leaf  
High 4<sup>7</sup>/<sub>8</sub>" arch,  
9500-11,000 lb. capacity  
Replaces Reyco 19913-01 / 19914-01  
**Part No. TRA074(LH) / TRA075 (RH)**



**TWO AND THREE LEAF SPRINGS**



Trailer Two Leaf - High 6<sup>3</sup>/<sub>4</sub>" Arch  
22,400 lb. GAWR  
Interchanges TRA2752  
**Part No. 324-00**



Trailer Spring, Two Leaf - Low 5<sup>1</sup>/<sub>4</sub>" Arch  
22,400 lb. GAWR  
Interchanges TRA-2754  
**Part No. 326-00**



Truck Spring, Two Leaf - High 5<sup>7</sup>/<sub>16</sub>" Arch  
10,800 lb. GAWR  
Kenworth  
**Part No. 59-428RPL**



Trailer Spring, Three Leaf - High 6" Arch  
22,400 lb. GAWR  
Interchanges TRA-2726  
**Part No. 354-00**



Trailer Spring, Three Leaf - Medium 4<sup>1</sup>/<sub>2</sub>" Arch  
22,400 lb. GAWR  
Interchanges TRA-2727  
**Part No. 355-00**



Trailer Spring, Three Leaf - Low 3<sup>5</sup>/<sub>8</sub>" Arch  
22,400 lb. GAWR  
Interchanges TRA-2728  
**Part No. 356-00**



Trailer Spring, Three Leaf - High 5<sup>1</sup>/<sub>2</sub>" Arch  
Heavy Duty - 24,000 lb. GAWR  
Interchanges TRA-2740  
**Part No. 365-00**



Trailer Spring, Three Leaf - Low 3<sup>1</sup>/<sub>4</sub>" Arch  
Heavy Duty - 24,000 lb. GAWR  
Interchanges TRA-2741  
**Part No. 365-01**



Trailer Spring, Three Leaf, 3<sup>1</sup>/<sub>2</sub>" Arch  
10,000 lb. Capacity  
Replaces Fruehauf UCE 000100-001  
**Part No. TRA3603-SP**



Trailer Spring, Three Leaf 4<sup>1</sup>/<sub>8</sub>" arch,  
10,000 lb. capacity  
Interchanges TRA-693  
**Part No. UCD0511-1-693**



**THREE LEAF / FOUR LEAF SPRINGS**



Trailer Spring, Three Leaf  
 11,000 lb. Capacity - Model 86, 88  
**Part No. 0079-01 (High 5<sup>3</sup>/<sub>8</sub>" Arch) (TRA-3340)**



Trailer Spring, Three Leaf  
 11,000 lb. Capacity - Model 86, 88  
**Part No. 0079-02 (Low 3<sup>5</sup>/<sub>8</sub>" Arch) (TRA-3341)**



Trailer Spring, Three Leaf 4<sup>1</sup>/<sub>8</sub>" arch,  
 10,000 lb. capacity  
 Interchanges TRA2291  
**Part No. 0837601**



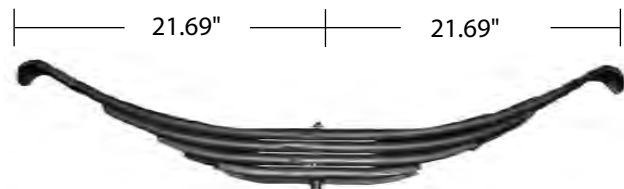
Trailer Spring, Three Leaf, 4<sup>3</sup>/<sub>16</sub>" Arch  
 3-1/2" Wide  
 Replaces Trailmobile 3-A3-62, TRA1492  
**Part No. TRA1492**



Trailer Spring, Three Leaf - Low 1<sup>1</sup>/<sub>2</sub>" Arch  
 Interchanges UAC007981-001  
**Part No. TRA697**



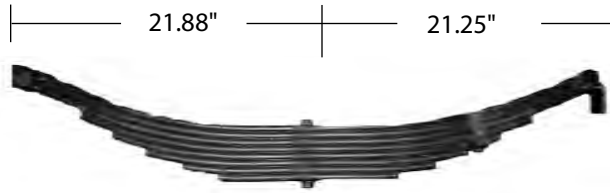
Trailer Spring, Three Leaf, Medium 3<sup>3</sup>/<sub>4</sub>" Arch  
 Interchanges Reyco 21511-01  
**Part No. TRA3384**



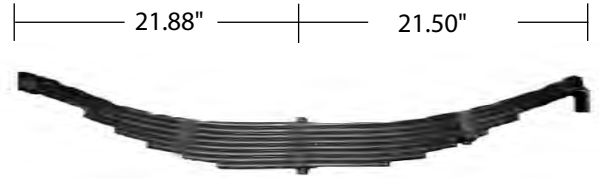
Trailer Spring, Four Leaf, 4<sup>1</sup>/<sub>8</sub>" Arch  
 Interchanges Fruehauf UCBO201  
 28,000 LB  
**Part No. TRA699**



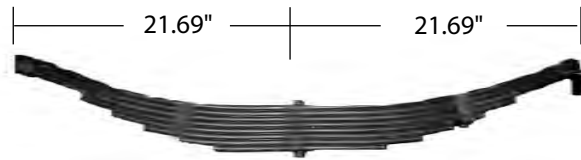
## MULTI-LEAF SPRINGS



Trailer Spring, Seven Leaf - High 5" Arch  
Interchanges Hutchens 751-05  
**Part No. TRA2705**



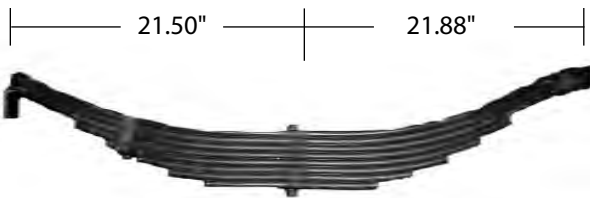
Trailer Spring, Seven Leaf - Low 2<sup>3</sup>/<sub>4</sub>" Arch  
Interchanges TRA-2706  
**Part No. 751-01**



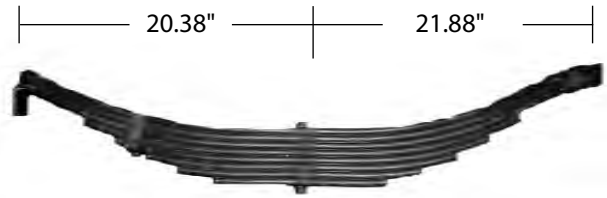
Trailer Spring, Eight Leaf, 3<sup>5</sup>/<sub>8</sub>" Arch  
Interchanges Reyco T3564, 11,000 lb.  
21B Suspension  
**Part No. TRA2270**



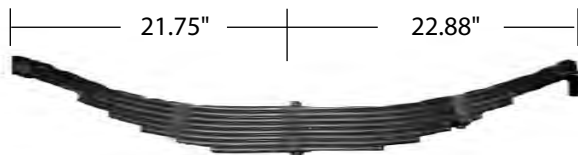
Trailer Spring, Seven Leaf Medium 4<sup>1</sup>/<sub>4</sub>" Arch  
Interchanges Reyco T3086, 9,000 lb.  
21B Suspension  
**Part No. TRA2256-SP**



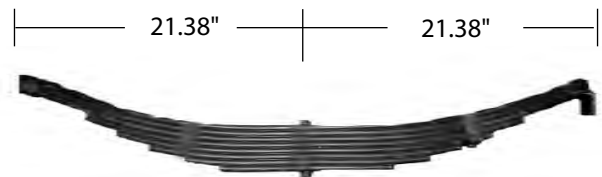
Trailer Spring, Eight Leaf - 2<sup>3</sup>/<sub>4</sub>" Low Arch  
Interchanges TRA-2732  
**Part No. 752-01**



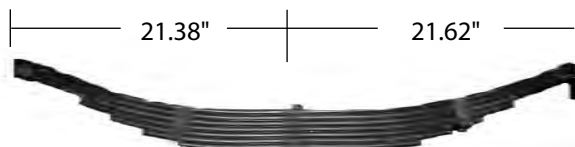
Trailer Spring, Eight Leaf - High 5" Arch  
Interchanges TRA-2260  
**Part No. 752-05**



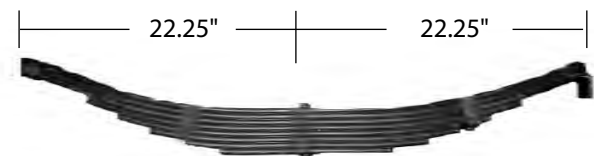
Trailer Spring, Eight Leaf, 4" Arch  
Interchanges Gindy 5507-8A, Webb D22082  
10,000 lb.  
**Part No. TRA2493-SP**



Trailer Spring, Nine Leaf 2<sup>1</sup>/<sub>2</sub>" Arch  
Interchanges Reyco T7452, 13,000 lb  
**Part No. TRA2297-SP**  
**Part No. TRA2297HD** (10-leaf, 14,500 lb)



Trailer Spring, 9 Leaf, 4-7/8" Arch  
11,500 lb. capacity. Turn back ends both sides.  
Interchanges UXA000252  
**Part No. TRA696**



Trailer Spring, TEN Leaf, Medium 2-5/8" Arch  
15,000 lb.  
Interchanges Reyco 13856-01  
**Part No. TRA3343**





**FLEETCRAFT U-BOLT KITS**

**U-BOLT KITS: Each kit contains:**

- 2 SAE U-bolts with 6 inches of thread.
- 4 heat treated Grade 8 nuts.
- 4 A325 heat treated washers.
- *All packaged in a secure box.*



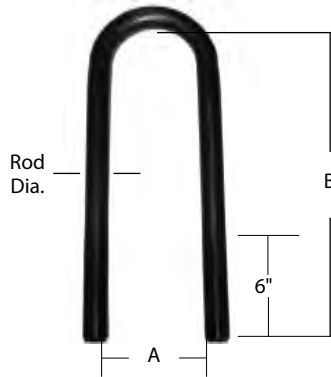
**Round Top U-Bolt Kits**

**7/8" Rod Diameter**

7/8"-14 NF Threads.

6" of thread. Grade 5

| Part No.   | (A) I.D. Width(") | (B) Length (Inches) |
|------------|-------------------|---------------------|
| 1014350KIT | 3                 | 11                  |
| 1014264KIT | 3                 | 12                  |
| 1014352KIT | 3                 | 13                  |
| 1014353KIT | 3                 | 14                  |
| 1014265KIT | 3                 | 15                  |
| 1014355KIT | 3                 | 16                  |
| 1014358KIT | 3                 | 17                  |
| 1014266KIT | 3                 | 18                  |
| 1014309KIT | 3 1/2             | 15                  |
| 1014310KIT | 3 1/2             | 16                  |
| 1014267KIT | 5                 | 12                  |
| 1014269KIT | 5                 | 14                  |
| 1014268KIT | 5                 | 15                  |



**Round Top U-Bolt Kits**

**3/4" Rod Diameter, Grade 8**

3/4"-16 NF Threads. 6" of thread.

| Part No.   | (A) I.D. Width(") | (B) Length (Inches) |
|------------|-------------------|---------------------|
| 1214264KIT | 3                 | 12-5/8              |
| 1214352KIT | 3                 | 13-5/8              |
| 1214265KIT | 3                 | 15-5/8              |
| 1214353KIT | 3                 | 16-5/8              |
| 1214266KIT | 3                 | 18-5/8              |



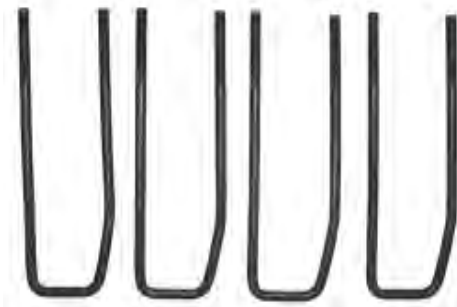
**TRUCK BODY U-Bolt Kits**

**5/8" Rod Diameter, 3.5" wide Square/Offset.**

**Kit contains:**

- 4 u-bolts, 4 tie plates,
- 8 nuts, 8 washers

| Part No.   | (A) I.D. Width(") | (B) Length (Inches) |
|------------|-------------------|---------------------|
| 1414371KIT | 3.5               | 14                  |
| 1414372KIT | 3.5               | 16                  |
| 1414373KIT | 3.5               | 18                  |
| 1414375KIT | 3.5               | 20                  |
| 1414376KIT | 3.5               | 22                  |

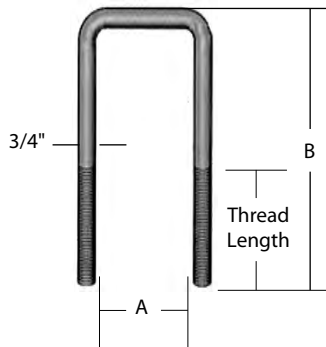


**Square Top U-Bolt Kits**

**3/4" Rod Dia., Grade 8**

3/4"-16 NF Threads. 6" of thread.

| Part No.   | (A) I.D. Width(") | (B) Length (Inches) |
|------------|-------------------|---------------------|
| 1214370KIT | 3                 | 11                  |
| 1214354KIT | 3                 | 12                  |



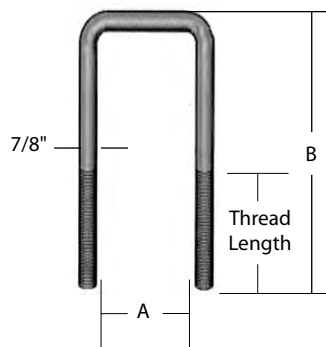
**Square Top U-Bolt Kits**

**7/8" Rod Dia., Grade 8**

7/8"-14 NF Threads

| Part No.   | (A) I.D. Width(") | (B) Length (Inches) |
|------------|-------------------|---------------------|
| 1014274KIT | 5                 | 15                  |

With 6" of thread.



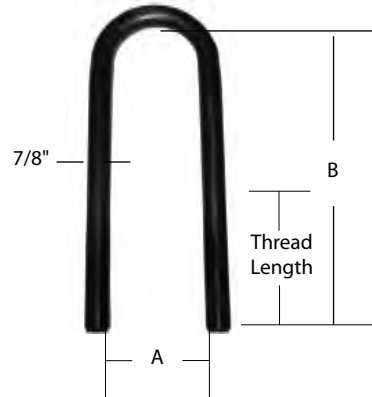


## INDIVIDUAL U-BOLTS

### 3" Wide Round Top U-Bolts

7/8" Rod Diameter, 7/8"-14 NF Threads

| Part No. | (A) I.D. Width (") | (B) Length (Inches) | Thread Length (")             |
|----------|--------------------|---------------------|-------------------------------|
| 7/8X3X11 | 3                  | 11                  | 3 <sup>1</sup> / <sub>2</sub> |
| 7/8X3X12 | 3                  | 12                  | 3 <sup>1</sup> / <sub>2</sub> |
| 7/8X3X13 | 3                  | 13                  | 3 <sup>1</sup> / <sub>2</sub> |
| 7/8X3X14 | 3                  | 14                  | 3 <sup>1</sup> / <sub>2</sub> |



### 5" Wide Round Top U-Bolts

7/8" Rod Diameter, 7/8"-14 NF Threads

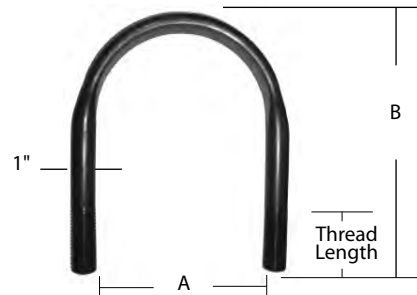
| Part No. | (A) I.D. Width (") | (B) Length (Inches) | Thread Length (")             |
|----------|--------------------|---------------------|-------------------------------|
| 7/8X5X12 | 5                  | 12                  | 3 <sup>1</sup> / <sub>2</sub> |



### NEWAY FLAT TOP U-BOLTS

5" Wide, 1" Rod Diameter, 1"-8 Threads

| Part No. | (A) I.D. Width (")             | (B) Length (Inches)            | Thread Length (")             |
|----------|--------------------------------|--------------------------------|-------------------------------|
| 90041878 | 6 <sup>5</sup> / <sub>16</sub> | 9 <sup>1</sup> / <sub>2</sub>  | 2 <sup>1</sup> / <sub>4</sub> |
| 90042791 | 6 <sup>5</sup> / <sub>16</sub> | 10 <sup>1</sup> / <sub>2</sub> | 3 <sup>1</sup> / <sub>2</sub> |
| 90042792 | 6 <sup>5</sup> / <sub>16</sub> | 12 <sup>1</sup> / <sub>2</sub> | 3 <sup>1</sup> / <sub>2</sub> |



**Caution Here!**  
Are you buying the right bolt for your application?

### DURALITE GRADE 8 SUSPENSION U-BOLTS

| Part Number | Spring Application | Mounting Height | Seat Height |
|-------------|--------------------|-----------------|-------------|
| XB-SP0074-K | 365-00             | 15.5"           | 3/4"        |
|             | 365-01             | 13.75"          | 3/4"        |
|             | 354-00             | 16"             | 1-1/4"      |
|             | 355-00             | 14.5"           | 1-1/4"      |
|             | 356-00             | 13.75"          | 1-1/4"      |
|             | 360-00             | 17"             | 2-1/4"      |
|             | 363-00             | 14.75"          | 2-1/4"      |
| XB-SP0074-M | 365-00             | 16.5"           | 1-3/4"      |
|             | 365-01             | 14.25"          | 1-3/4"      |
|             | 354-00             | 17"             | 2-1/4"      |
|             | 355-00             | 15.5"           | 2-1/4"      |
|             | 356-00             | 14.75"          | 2-1/4"      |



XB-SP0074-R also available.

### NUTS AND WASHERS FOR U-BOLTS

| Part No. | Size    | Description  |
|----------|---------|--|
| NL5481   | 3/4"    | Flat washer, heat treated, 25/32" ID, 1 <sup>15</sup> / <sub>32</sub> " OD.                |
| 35-00    | 7/8"    | Flat washer, 13/16" ID, 13/16" OD  |
| 93900027 | 1"      | Neway Flat washer, 1 <sup>1</sup> / <sub>32</sub> " ID, 1 <sup>5</sup> / <sub>8</sub> " OD |
| 39D12    | 3/4"-16 | Hi-nut, Gr8, 1 <sup>1</sup> / <sub>32</sub> " across hex, 1" high                          |
| 34-00    | 7/8"-14 | Hi-nut, Gr8, 1 <sup>7</sup> / <sub>32</sub> " hex, 1 <sup>5</sup> / <sub>32</sub> " high   |
| 93400502 | 1"-8    | NewayLock Nut, for Flat Top U-Bolts  |





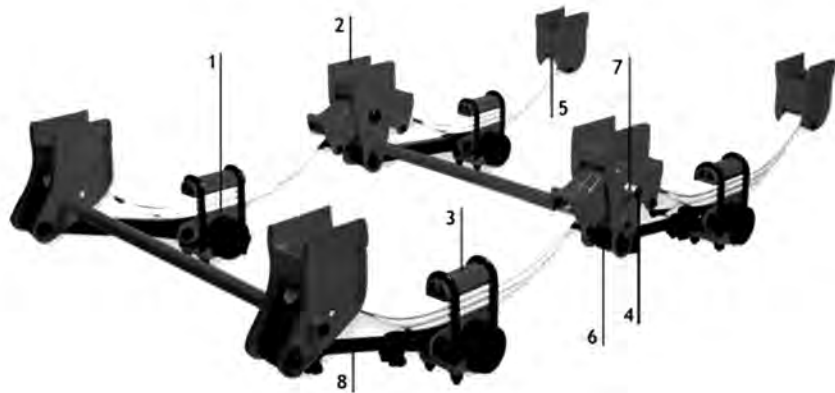
## HUTCHENS SUSPENSION FEATURES

### After all these years, it is still the most versatile trailer suspension on the road today.

The Hutch 9700 Series remains the leader in the long and distinguished line of trailer suspension systems. Hutch Suspensions incorporate innovative thinking that results in a durable and reliable system that not only extends service life, reduces downtime and protects your cargo – but also provides a smooth and comfortable ride.



- 1) Improved spring seat design that efficiently transfers forces from the axle to the spring.
- 2) All hangers and equalizers are made from lightweight fabricated or cast steel.
- 3) Lighter top plate that offers greater stability under U-bolt clamp loads.
- 4) Huck "lockbolt" fastening system that is virtually maintenance-free.
- 5) ½" wear pads in hangers and equalizers.
- 6) Wrapped fabricated torque arm eye-ends prevent separation under extreme conditions.
- 7) Million Mile Rocker Bushing that virtually eliminates bushing fatigue and failure.
- 8) "NEVER-SEEZ<sup>®</sup>" coated torque arm screws are painted to resist corrosion while allowing easy adjustment for suspension alignment.



### Hutchens Boxed Kits:

For 5" round axle, **LESS SPRINGS. Single, Tandem, and Triaxle.**

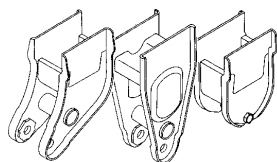
| <u>Part No.</u>  | <u>Description</u>  |
|------------------|---|
| H9700S-FL/B      | Single, flange mount, 3/4" seat height  |
| H9700S-ST/B      | Single, straddlemount, 3/4" seat height   |
| H9700S-U/B       | Single, undermount, 3/4" seat height  |
| H9700T-FL/B      | Tandem, flange mount, 3/4" seat height  |
| H9700T-ST/B      | Tandem, straddlemount, 3/4" seat height   |
| H9700T-UM/B      | Tandem, undermount, 3/4" seat height  |
| H9700T-US/IB/B   | Tandem, underslung, I-Beam mount 3/4" seat height   |
| H9700T-US/UM/B   | Tandem, underslung, undermount, 3/4" seat height  |
| H9700TRI-ST/B    | Triaxle, straddlemount, 3/4" seat height  |
| H9700TRI-U/B     | Triaxle, undermount, 3/4" seat height   |
| H9700TRI-US/UM/B | Triaxle, underslung, undermount 3/4" seat height<br>(Bump out blocks included in Triaxle) |



## HUTCHENS H9700 and CH9700 SUSPENSIONS

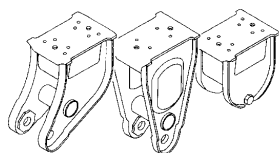


### Fabricated (H)



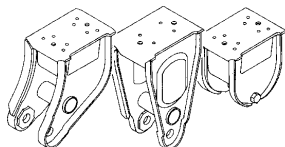
#### Straddle Mount (Str/Mt)

Straddle mount hangers are for use with box type frames. Each hanger straddles the frame and is welded to both sides of the frame.



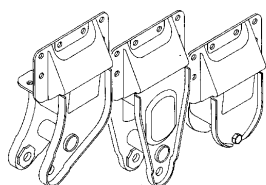
#### Under Mount Un/mt)

Under Mount hangers are welded flush to the bottom of the frame.



#### Side Mount (Si/mt)

Side mount hangers are welded to the side of the frame. They are useful on flatbed sliders and "maximum cube" vans.



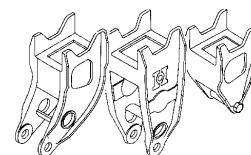
#### Flange Mount (Fl/mt)

Flange mount hangers may be welded or bolted to the frame, or a combination of bolting and welding may be used.



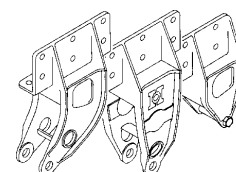
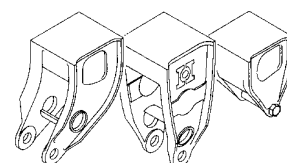
### H9700 CH9700

### Cast (CH)



#### Under Mount Weld-On (Un/mt/wo) or Side Mount Weld-On (Si/mt/wo)

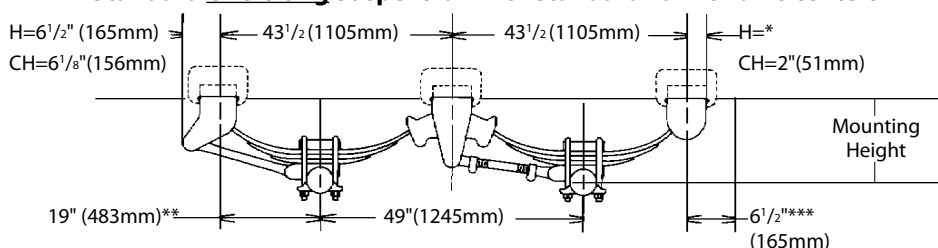
The versatile cast weld-on hangers can be used for either under mount or side mount applications.



### Capacity

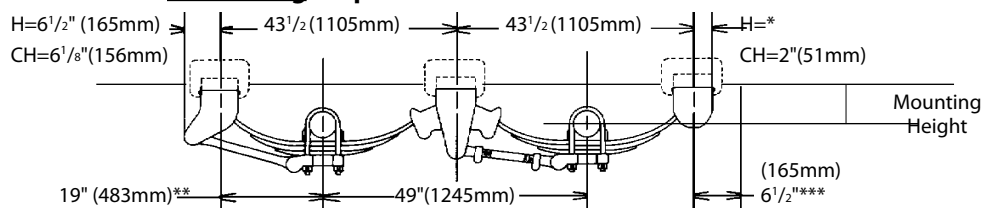
The 9700 series suspension has a Gross Axle Weight Rating (G.A.W.R.) of 22,400 lbs when equipped with single leaf, two leaf, standard three leaf and seven leaf springs. Heavy duty three leaf and eight leaf springs raise the G.A.W.R. to 25,000 lbs.

#### Standard Overslung Suspension with standard 49 inch axle centers



\* Str/Mt- $3\frac{1}{2}" (89\text{mm})$ , Un/mt & Si/mt= $3\frac{7}{8}" (99\text{mm})$ , Fl/mt- $5\frac{1}{2}" (140\text{mm})$  \*\*Ref.: This dimension may vary with changes in springs, spring seat heights, etc. \*\*\*Recommended spring clearance.

#### Standard Underslung Suspension with standard 49 inch axle centers



\* Str/Mt- $3\frac{1}{2}" (89\text{mm})$ , Un/mt & Si/mt= $3\frac{7}{8}" (99\text{mm})$ , Fl/mt- $5\frac{1}{2}" (140\text{mm})$  \*\*Ref.: This dimension may vary with changes in springs, spring seat heights, etc. \*\*\*Recommended spring clearance.



## HUTCHENS H9700 / CH9700 SUSPENSIONS & MOUNTING HEIGHT

### Ordering a 9700 Series Suspension System

The following options need to be considered when ordering a "Hutch" 9700 Series suspension:

**1. The number of axles** - on a tandem, standard axle spacing is 49" unless otherwise specified.

**2. Choose the type of hanger.** (See hanger types in this catalog.)

Specify fabricated (H) or cast (CH).

**3. Determine the mounting height you need.** A mounting height chart is shown below.

Mounting height depends on

**Suspension configuration** - Overslung for standard range of mounting

heights; Underslung for when lower mounting heights are required.

**Axle size** - 5 inch round is considered standard.

**Spring Seat Height:** Available in heights from 3/4" to 4-3/4" in 1/2" increments.

**Spring Type.** Consideration is given to number of leaves and arch, standard or heavy duty.

The spring seat height and the spring determine the length of u-bolts required.

**4. Choose u-bolt diameter** - 7/8" is standard, 3/4" is optional.

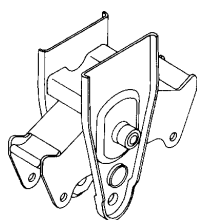


### Rocker and Center Hanger Fastener

Standard Huck Fastener (Shown)

Optional 1-1/8" X 7"

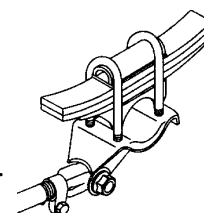
Capscrew and Nut



### Optional No-Hop Attach Fitting

Rear Axle Only

Prevents axle "hop" when braking with empty trailer.



### MOUNTING HEIGHT

| SPRINGS           | 5" ROUND & 5" SQUARE AXLE        |                                  |                                  |                                  |                                  |                                  |                                  |                                  |                                  |                                 | UNDERSLUNG                                  |  |
|-------------------|----------------------------------|----------------------------------|----------------------------------|----------------------------------|----------------------------------|----------------------------------|----------------------------------|----------------------------------|----------------------------------|---------------------------------|---|--|
|                   | 3/4                              | 1-1/4                            | 1-3/4                            | 2-1/4                            | 2-3/4                            | 3-1/4                            | 3-3/4                            | 4-1/4                            | 4-3/4                            | 3/4                             | 2-1/4                                       |  |
| Seat Height--->   |                                  |                                  |                                  |                                  |                                  |                                  |                                  |                                  |                                  |                                 |   |  |
| 363-00 (single)   | 13 <sup>3</sup> / <sub>4</sub> " | 14 <sup>1</sup> / <sub>4</sub> " | 14 <sup>3</sup> / <sub>4</sub> " | 15 <sup>1</sup> / <sub>4</sub> " | 15 <sup>3</sup> / <sub>4</sub> " | 16 <sup>1</sup> / <sub>4</sub> " | 16 <sup>3</sup> / <sub>4</sub> " | 17 <sup>1</sup> / <sub>4</sub> " | 17 <sup>3</sup> / <sub>4</sub> " | 5 <sup>3</sup> / <sub>4</sub> " | 4 <sup>1</sup> / <sub>4</sub> "             |  |
| 356-00 (three)    | 13 <sup>3</sup> / <sub>4</sub> " | 14 <sup>1</sup> / <sub>4</sub> " | 14 <sup>3</sup> / <sub>4</sub> " | 15 <sup>1</sup> / <sub>4</sub> " | 15 <sup>3</sup> / <sub>4</sub> " | 16 <sup>1</sup> / <sub>4</sub> " | 16 <sup>3</sup> / <sub>4</sub> " | 17 <sup>1</sup> / <sub>4</sub> " | 17 <sup>3</sup> / <sub>4</sub> " | 4 <sup>1</sup> / <sub>2</sub> " | 3 <sup>1</sup> / <sub>4</sub> "             |  |
| 751-01 (seven)    | 13 <sup>3</sup> / <sub>4</sub> " | 14 <sup>1</sup> / <sub>4</sub> " | 14 <sup>3</sup> / <sub>4</sub> " | 15 <sup>1</sup> / <sub>4</sub> " | 15 <sup>3</sup> / <sub>4</sub> " | 16 <sup>1</sup> / <sub>4</sub> " | 16 <sup>3</sup> / <sub>4</sub> " | 17 <sup>1</sup> / <sub>4</sub> " | 17 <sup>3</sup> / <sub>4</sub> " | 3 <sup>3</sup> / <sub>4</sub> " | 2 <sup>1</sup> / <sub>4</sub> "             |  |
| 365-01 (three)    | 13 <sup>3</sup> / <sub>4</sub> " | 14 <sup>1</sup> / <sub>4</sub> " | 14 <sup>3</sup> / <sub>4</sub> " | 15 <sup>1</sup> / <sub>4</sub> " | 15 <sup>3</sup> / <sub>4</sub> " | 16 <sup>1</sup> / <sub>4</sub> " | 16 <sup>3</sup> / <sub>4</sub> " | 17 <sup>1</sup> / <sub>4</sub> " | 17 <sup>3</sup> / <sub>4</sub> " | 4 <sup>1</sup> / <sub>4</sub> " | 2 <sup>3</sup> / <sub>4</sub> "             |  |
| 752-01 (eight)    | 14 <sup>1</sup> / <sub>4</sub> " | 14 <sup>3</sup> / <sub>4</sub> " | 15 <sup>1</sup> / <sub>4</sub> " | 15 <sup>3</sup> / <sub>4</sub> " | 16 <sup>1</sup> / <sub>4</sub> " | 16 <sup>3</sup> / <sub>4</sub> " | 17 <sup>1</sup> / <sub>4</sub> " | 17 <sup>3</sup> / <sub>4</sub> " | 18 <sup>1</sup> / <sub>4</sub> " | 3 <sup>3</sup> / <sub>4</sub> " | 2 <sup>1</sup> / <sub>4</sub> "             |  |
| 355-00 (three)    | 14 <sup>1</sup> / <sub>2</sub> " | 15"                              | 15 <sup>1</sup> / <sub>2</sub> " | 16"                              | 16 <sup>1</sup> / <sub>2</sub> " | 17"                              | 17 <sup>1</sup> / <sub>2</sub> " | 18"                              | 18 <sup>1</sup> / <sub>2</sub> " | 5 <sup>1</sup> / <sub>2</sub> " | 4"  |  |
| 360-00 (single)   | 16"                              | 16 <sup>1</sup> / <sub>2</sub> " | 17"                              | 17 <sup>1</sup> / <sub>2</sub> " | 18"                              | 18 <sup>1</sup> / <sub>2</sub> " | 19"                              | 19 <sup>1</sup> / <sub>2</sub> " | 20"                              | 8 <sup>**</sup>                 | 6 <sup>1</sup> / <sub>2</sub> <sup>**</sup> |  |
| 354-00 (three)    | 16"                              | 16 <sup>1</sup> / <sub>2</sub> " | 17"                              | 17 <sup>1</sup> / <sub>2</sub> " | 18"                              | 18 <sup>1</sup> / <sub>2</sub> " | 19"                              | 19 <sup>1</sup> / <sub>2</sub> " | 20"                              | 7"                              | 5 <sup>1</sup> / <sub>2</sub> "             |  |
| 751-05 (seven)    | 16"                              | 16 <sup>1</sup> / <sub>2</sub> " | 17"                              | 17 <sup>1</sup> / <sub>2</sub> " | 18"                              | 18 <sup>1</sup> / <sub>2</sub> " | 19"                              | 19 <sup>1</sup> / <sub>2</sub> " | 20"                              | 6"                              | 4 <sup>1</sup> / <sub>2</sub> "             |  |
| 751-06 (seven)    | 16"                              | 16 <sup>1</sup> / <sub>2</sub> " | 17"                              | 17 <sup>1</sup> / <sub>2</sub> " | 18"                              | 18 <sup>1</sup> / <sub>2</sub> " | 19"                              | 19 <sup>1</sup> / <sub>2</sub> " | 20"                              | 6"                              | 4 <sup>1</sup> / <sub>2</sub> "             |  |
| (for single axle) |                                  |                                  |                                  |                                  |                                  |                                  |                                  |                                  |                                  |                                 |   |  |
| 365-00 (three)    | 16"                              | 16 <sup>1</sup> / <sub>2</sub> " | 17"                              | 17 <sup>1</sup> / <sub>2</sub> " | 18"                              | 18 <sup>1</sup> / <sub>2</sub> " | 19"                              | 19 <sup>1</sup> / <sub>2</sub> " | 20"                              | 6 <sup>1</sup> / <sub>2</sub> " | 5"  |  |
| 752-05 (eight)    | 16 <sup>1</sup> / <sub>2</sub> " | 17"                              | 17 <sup>1</sup> / <sub>2</sub> " | 18"                              | 18 <sup>1</sup> / <sub>2</sub> " | 19"                              | 19 <sup>1</sup> / <sub>2</sub> " | 20"                              | 20 <sup>1</sup> / <sub>2</sub> " | 6"                              | 4 <sup>1</sup> / <sub>2</sub> "             |  |
| 752-06 (eight)    | 16 <sup>1</sup> / <sub>2</sub> " | 17"                              | 17 <sup>1</sup> / <sub>2</sub> " | 18"                              | 18 <sup>1</sup> / <sub>2</sub> " | 19"                              | 19 <sup>1</sup> / <sub>2</sub> " | 20"                              | 20 <sup>1</sup> / <sub>2</sub> " | 6"                              | 4 <sup>1</sup> / <sub>2</sub> "             |  |
| (for single axle) |                                  |                                  |                                  |                                  |                                  |                                  |                                  |                                  |                                  |                                 |   |  |

### Mounting heights shown are for FABRICATED hangers...springs Unloaded.

These dimensions should be considered approximations due to spring tolerances, etc...Cast Hangers produce slightly lower heights: (1/4 - 3/8")

Mount Heights must not exceed 17-1/4" on No-Hop suspensions. For best performance, do not exceed 17-1/4" mounting heights on ANY suspension.

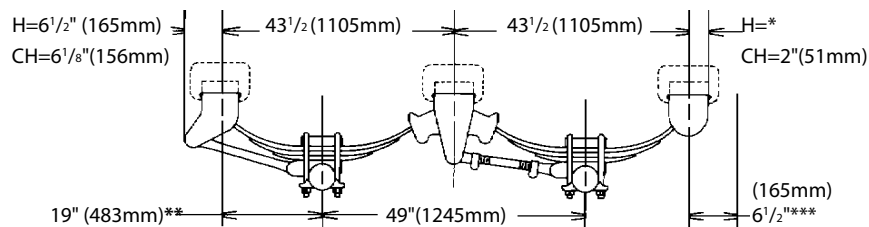
It is recommended that a minimum of 4-1/2" vertical clearance be maintained above the tires with trailer or chassis in an unloaded condition.

When using springs other than 751/52-06 in single applications, expect a slight reduction in mounting height. (Approx. 1/4")

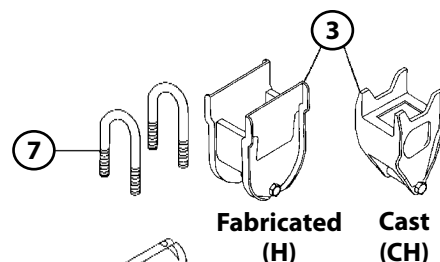
\*For single leaf, underslung application, refer to Hutch drawing number 9880-00.



# HUTCHENS H9700 and CH9700 SUSPENSIONS



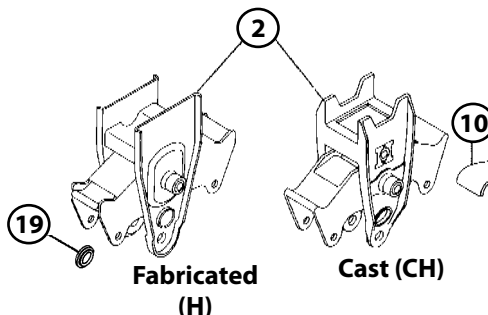
\* Str/Mt-3 1/2"(89mm), Un/mt & Si/mt=3 7/8"(99mm), Fl/mt-5 1/2"(140mm)  
 \*\* Ref.: This dimension may vary with changes in springs, spring seat heights, etc.  
 \*\*\* Recommended spring clearance.



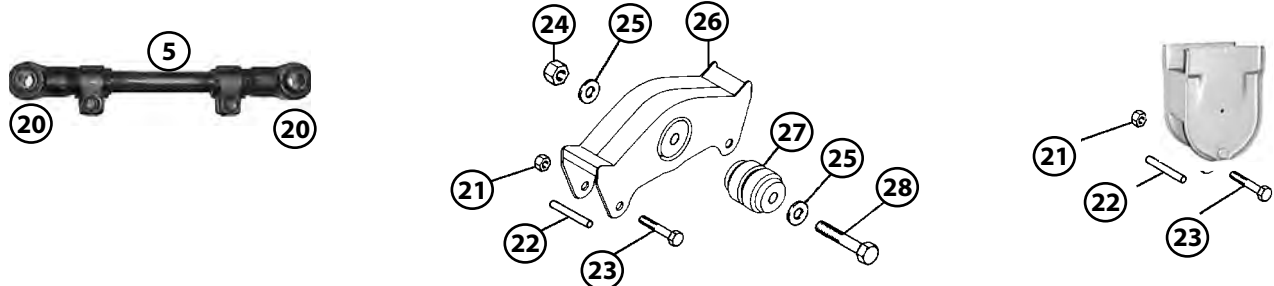
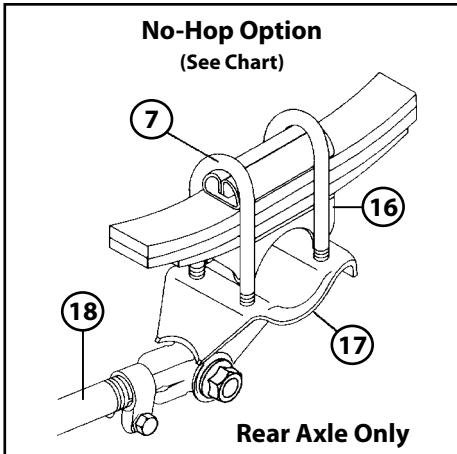
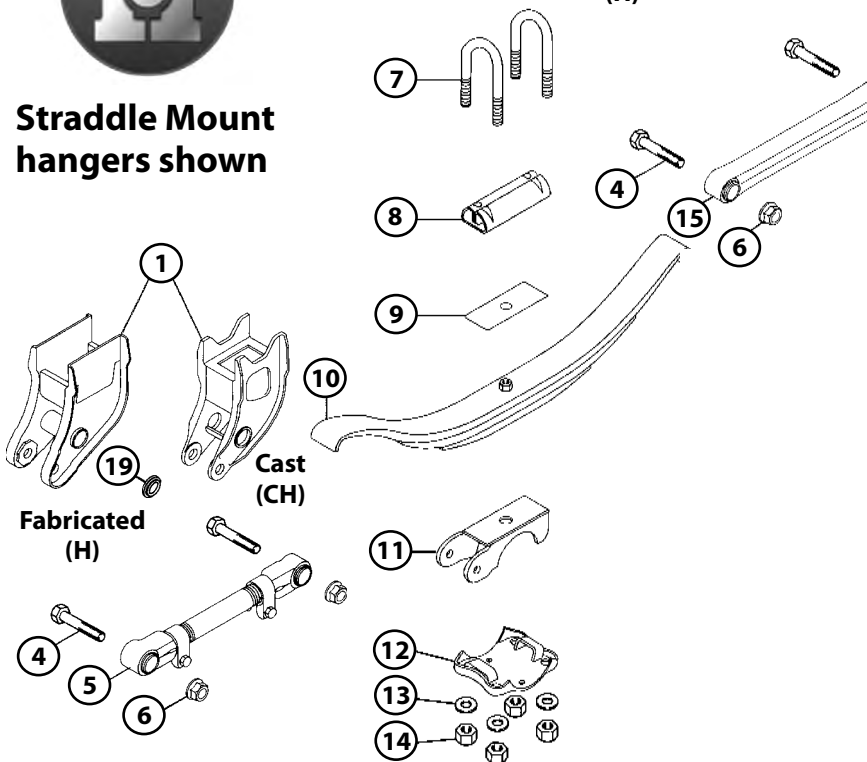
## H9700 and CH9700



Straddle Mount hangers shown



SEE CHART NEXT PAGE >>>>>>





**HUTCHENS H-9700 and CH9700 SUSPENSIONS**

| Item | Part No.                 | Quantity  |             | Description  | SEE LAYOUT PREVIOUS PAGE<br><<<<<<< |  |
|------|--------------------------|---|-------------|--|-------------------------------------|--|
|      |                          | Single Axle                                       | Tandem Axle |  |                                     |  |
| 1    | See Hanger Chart A       | 2   | 2           | Front Spring Hanger  |                                     |  |
| 2    | See Hanger Chart A       | 0   | 2           | Center Rock/Rocker Hanger Assembly   |                                     |  |
| 3    | See hanger Chart A       | 2   | 2           | Rear Spring Hanger Assembly  |                                     |  |
| 4    | 719-02                   | 4   | 8           | Radius Rod Bolt - 1-14-UNS x 5   |                                     |  |
| 5    | 16398-04                 | 1   | 2           | Radius Rod With Bushing - 19.25 Long   |                                     |  |
| 6    | 10562-00                 | 4   | 8           | Flange Locknut - 1-14UNS, GR,F, Cad Pl.  |                                     |  |
| 7    | See U-Bolt Chart         | 4   | 8           | U-Bolt - Std. 0.875 U-Bolt   |                                     |  |
| 8    | 16868-01                 | 2   | 4           | Top Plate  |                                     |  |
| 9    | 17350-02                 | 2   | 4           | Galvanized Spring Liner, 3.00" x 7.50"   |                                     |  |
| 10   | See Spring Pages         | 2   | 4           | Spring Assembly - Std. 3 Leaf (Shown)  |                                     |  |
| 11   | See Spring Seat Chart C  | 2   | 4           | Spring Seat 5" Round (Shown)   |                                     |  |
| 12   | See Bottom Plate Chart D | 2   | 4           | Bottom Plate, 5" Round, (Shown)  |                                     |  |
| 13   | 35-00                    | 8   | 16          | Washer-PI, 15/16 ID x 1-3/4 OD (For Std. .875 U-Bolt)  |                                     |  |
|      | or 817-00                | 8   | 16          | Washer - 1/8 x 13/16 ID x 1-1/2 OD (For Opt. .75 U- Bolt)  |                                     |  |
| 14   | 34-04 or                 | 8   | 16          | Hex Nut - 7/8"-14UNF (For .875 U-Bolt Shown)   |                                     |  |
|      | 16303-01                 | 8   | 16          | Hex Nut - 3/4"-16UNF (For Optional .75 U-Bolt)   |                                     |  |
| 15   | 715-00                   | 1   | 2           | Nonadjustable Radius Rod With Bushing  |                                     |  |
| 16   | See No-Hop Chart E       | 0   | 2           | Spring Seat - Replaces rear Spring Seat Only   |                                     |  |
| 17   | See No-Hop Chart E       | 0   | 2           | Attach Fitting - Replaces Rear Bottom Plate Only   |                                     |  |
| 18   | See No-Hop Chart E       | 0   | 2           | Adjustable Rad. Rod W/Bushing - Replaces 1 adjustable and 1 nonadjustable radius rod on rear axle only.  |                                     |  |
| 19   | 7717-01                  | 2 Per Hanger                                      |             | Washer Bushing - Replaces side plate washer 10561-00 on fabricated front and center hangers only.  |                                     |  |
| 20   | 722-00                   | 2 Per Radius Rod                                  |             | Radius Rod Bushing Only - 3" Long  |                                     |  |
| 21   | 37-03                    | 2 Per Rocker                                      |             | Hex Lock Nut, 5/8-18UNF Gr. B (Shipped loose, not part of center rock and hanger ass'y. However it is part of rear hanger assembly.)                               |                                     |  |
|      |                          | 1 Per Rear Hanger                                 |             |  |                                     |  |
| 22   | 756-00                   | 2 Per Rocker                                      |             | Sleeve Spacer - 3/4 OD x 18 ga. x 3-1/4 long.  |                                     |  |
|      |                          | 1 Per Rear Hanger                                 |             | Shipped loose, not part of center rock and hanger ass'y. However it is part of rear hanger assembly.)  |                                     |  |
| 23   | 759-00                   | 2 Per Rocker                                      |             | Hex Bolt - 5/8-18UNF x 4-1/2Lg., Gr 2 - (Shipped loose, 1 Per Rear Hanger not part of center rocker and hanger ass'y. However it is part of rear hanger assembly.) |                                     |  |
| 24   | 11154-00                 | 1 Per Rocker                                      |             | Hex Lock Nut - 1-1/8-7UNC, GR5   |                                     |  |
| 25   | 837-00                   | 2 Per Rocker                                      |             | Washer - 1/8 x 1-1/4 ID x 2-1/4 OD   |                                     |  |
| 26   | 16158-01                 | Fabricated Rocker Assy w/Rubber Bushing (Shown)   |             |  |                                     |  |
|      | 17784-01                 | Cast Rocker Assembly w/Rubber Bushing (Not Shown) |             |  |                                     |  |
| 27   | 18723-01                 | 1 Per Rocker                                      |             | Rocker Bushing Only - Rubber   |                                     |  |
| 28   | 16150-01                 | 1 Per Rocker                                      |             | Hex Cap Screw - 1-1/8" - 7 x 6.62" Lg., GR 5   |                                     |  |



**HANGER CHART A (Fabricated (H) and Cast (CH) Hangers)**

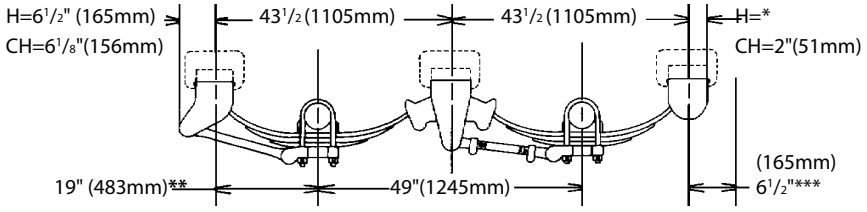
| Description                    | Part No. | Straddle Mt | Under Mt                 | Side Mount               | Flange Mt/Bolt on    |
|--------------------------------|----------|-------------|--------------------------|--------------------------|----------------------|
| Front Hgr., Fab (H)            |          | 7701-01     | 20728-01                 | 20729-01/20730-01        | 7701-07/7701-08      |
| Front Hgr., Cast (CH)          |          | 702-01      | L 16291-03<br>R 16291-04 | L 16291-03<br>R 16291-04 | L 702-11<br>R 702-12 |
| Rocker & Hgr. Assy., Fab. (H)  | 16319-   | -01         | -02                      | -04                      | -07                  |
| Rocker & Hgr. Assy., Cast (CH) | 16319-   | -51         | -52                      | -52                      | -57                  |
| Rocker Hgr. Only, Fab (H)      |          | 16169-01    | 16171-01                 | 16175-01                 | 16178-01             |
| Rocker Hgr. Only, Cast (CH)    |          | 16196-03    | 16197-03                 | 16197-03                 | 16199-03             |
| Rear Hgr. Assy., Fab. (H)      | 7703-    | -01         | 20732-01                 | 20733-01 20734-04        | L-07 R-08            |
| Rear Hgr. Assy., Cast (CH)     |          | 712-01      | L 16293-01<br>R 16293-02 | L 16293-01<br>R 16293-02 | L 712-11<br>R 712-12 |

**SPRING SEAT CHART C**

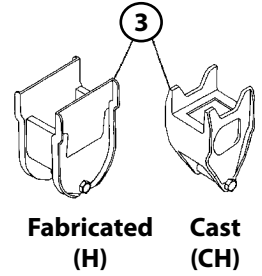
| Seat Height    | 3/4      | 1 1/4    | 1 3/4    | 2 1/4    | 2 3/4    | 3 1/4    | 3 3/4    | 4 1/4    | 4 3/4    |
|----------------|----------|----------|----------|----------|----------|----------|----------|----------|----------|
| 5" Round       | 19360-01 | 19360-02 | 19360-03 | 19360-04 | 19360-05 | 19360-06 | 19360-07 | 19360-08 | 19360-09 |
| 5" X 5" Square | 19365-01 | 19365-02 | 19365-03 | 19365-04 | 19365-05 | 19365-06 | 19365-07 | 19365-08 | 19365-09 |
| 4" X 6" Rect.  | 19364-01 | 19364-02 | 19364-03 | 19364-04 | 19364-05 | 19364-06 | 19364-07 | 19364-08 | 19364-09 |



# HUTCHENS UNDERSLUNG H9700 and CH9700 SUSPENSIONS



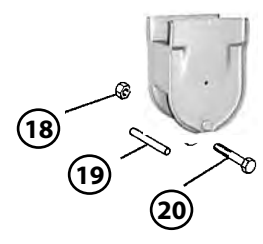
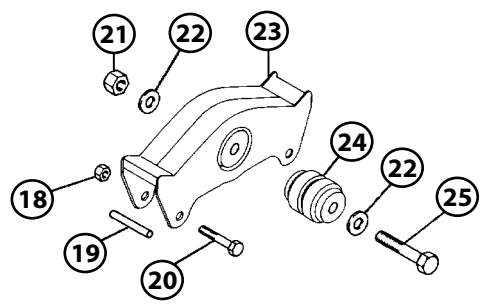
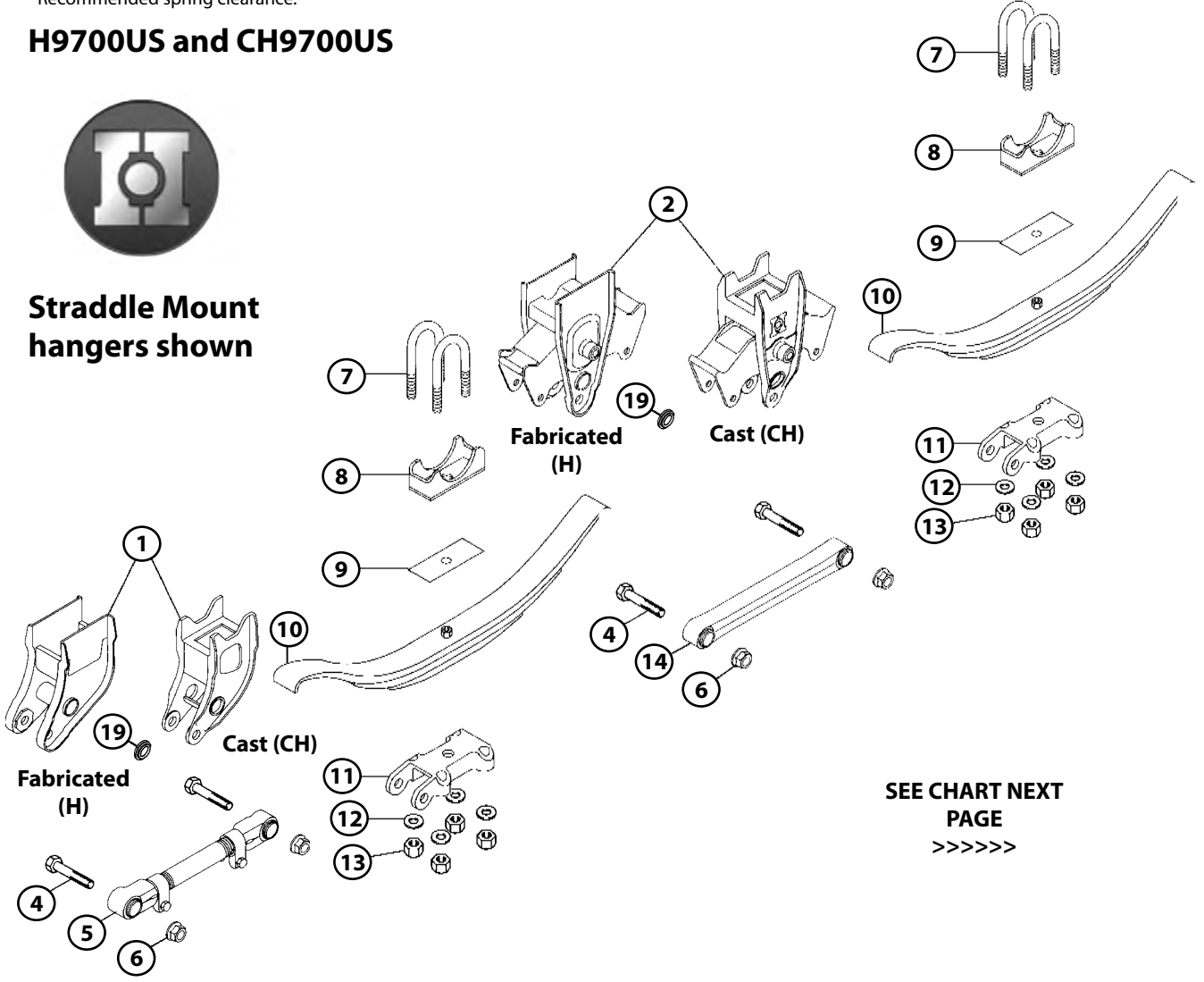
\* Str/Mt-3 1/2"(89mm), Un/mt & Si/mt=3 7/8"(99mm), Fl/mt-5 1/2"(140mm)  
 \*\* Ref.: This dimension may vary with changes in springs, spring seat heights, etc.  
 \*\*\* Recommended spring clearance.



## H9700US and CH9700US



Straddle Mount hangers shown







**HUTCHENS UNDERSLUNG H9700US and CH9700US**

| Item | Part No.                                 | Quantity                          |             | Description  | SEE LAYOUT PREVIOUS PAGE |
|------|--|-----------------------------------|-------------|--|--------------------------|
|      |  | Single Axle                       | Tandem Axle |  | <<<<<<<                  |
| 1    | <b>See Hanger Chart A This Page</b>      | 2                                 | 2           | Front Spring Hanger  |                          |
| 2    | <b>See Hanger Chart A This Page</b>      | 0                                 | 2           | Center Rock/Rocker Hanger Assembly   |                          |
| 3    | <b>See hanger Chart A This Page</b>      | 2                                 | 2           | Rear Spring Hanger Assembly  |                          |
| 4    | 719-02                                   | 4                                 | 8           | Radius Rod Bolt - 1-14-UNS x 5   |                          |
| 5    | 16398-04                                 | 1                                 | 2           | Radius Rod With Bushing - 19.25 Long   |                          |
| 6    | 10562-00                                 | 4                                 | 8           | Flange Locknut - 1-14UNS, GR,F, Cad Pl.  |                          |
| 7    | <b>See U-Bolt Chart</b>                  | 4                                 | 8           | U-Bolt - Std. 0.875 U-Bolt   |                          |
| 8    | <b>See Spring Seat Chart G This Page</b> | 2                                 | 4           | Spring Seat 5" Round (Shown)   |                          |
| 9    | 17350-02                                 | 2                                 | 4           | Galvanized Spring Liner, 3.00" x 7.50"   |                          |
| 10   | <b>See Spring Pages</b>                  | 2                                 | 4           | Spring Assembly - Std. 3 Leaf (Shown)  |                          |
| 11   | 706-01                                   | 2                                 | 4           | Bottom Plate Att. for 5" round and 5" square, -not 4x6.  |                          |
| 12   | 35-00                                    | 8                                 | 16          | Washer-PI, 15/16 ID x 1-3/4 OD (For Std. .875 U-Bolt)  |                          |
|      | or 817-00                                | 8                                 | 16          | Washer - 1/8 x 13/16 ID x 1-1/2 OD (For Opt. .75 U- Bolt)  |                          |
| 13   | 34-04 or                                 | 8                                 | 16          | Hex Nut - 7/8"-14UNF (For .875 U-Bolt Shown)   |                          |
|      | 16303-01                                 | 8                                 | 16          | Hex Nut - 3/4"-16UNF (For Optional .75 U-Bolt)   |                          |
| 14   | 715-00                                   | 1                                 | 2           | Nonadjustable Radius Rod With Bushing  |                          |
| 16   | 7717-01                                  | 2 Per Hanger                      |             | Washer Bushing - Replaces side plate washer<br>10561-00 on fabricated front and center hangers only.   |                          |
| 17   | 722-00                                   | 2 Per Radius Rod                  |             | Radius Rod Bushing Only - 3" Long  |                          |
| 18   | 37-03                                    | 2 Per Rocker                      |             | Hex Lock Nut, 5/8-18UNF Gr. B (Shipped loose,<br>1 Per Rear Hanger not part of center rock and hanger ass'y.<br>However it is part of rear hanger assembly.) |                          |
| 19   | 756-00                                   | 2 Per Rocker<br>1 Per Rear Hanger |             | Sleeve Spacer - 3/4 OD x 18 ga. x 3-1/4 long. Shipped<br>loose, not part of center rock and<br>hanger ass'y.<br>However it is part of rear hanger assembly.) |                          |
| 20   | 759-00                                   | 2 Per Rocker<br>1 Per Rear Hanger |             | Hex Bolt - 5/8-18UNF x 4-1/2Lg., Gr 2 -<br>(Shipped loose, not part of center rock and hanger ass'y.<br>However it is part of rear hanger assembly.)         |                          |
| 21   | 11154-00                                 | 1 Per Rocker                      |             | Hex Lock Nut - 1-1/8-7UNC, GR5   |                          |
| 22   | 837-00                                   | 2 Per Rocker                      |             | Washer - 1/8 x 1-1/4 ID x 2-1/4 OD   |                          |
| 23   | 16158-01                                 |                                   |             | Fabricated Rocker Assy w/Rubber Bushing (Shown)  |                          |
|      | 17784-01                                 |                                   |             | Cast Rocker Assembly w/Rubber Bushing (Not Shown)  |                          |
| 24   | 18723-01                                 | 1 Per Rocker                      |             | Rocker Bushing Only - Rubber   |                          |
| 25   | 16150-01                                 | 1 Per Rocker                      |             | Hex Cap Screw - 1-1/8" - 7 x 6.62" Lg., GR 5   |                          |



**HANGER CHART A (Fabricated (H) and Cast (CH) Hangers)**

| Description                    | Part No. | Straddle Mt | Under Mt          | Side Mt                  | Flange Mt/Bolt on    |
|--------------------------------|----------|-------------|-------------------|--------------------------|----------------------|
| Front Hgr., Fab (H)            | 7701-    | -01         | -02               | L-03 R-04                | L-07 R-08            |
| Front Hgr., Cast (CH)          |          | 702-01      | L 16291-03<br>R y | L 16291-03<br>R 16291-04 | L 702-11<br>R 702-12 |
| Rocker & Hgr. Assy., Fab. (H)  | 16319-   | -01         | -02               | -04                      | -07                  |
| Rocker & Hgr. Assy., Cast (CH) | 16319-   | -51         | -52               | -52                      | -57                  |
| Rocker Hgr. Only, Fab (H)      |          | 16169-01    | 16171-01          | 16175-01                 | 16178-01             |
| Rocker Hgr. Only, Cast (CH)    |          | 16196-03    | 16197-03          | 16197-03                 | 16199-03             |
| Rear Hgr. Assy., Fab. (H)      | 7703-    | -01         | 20732-01          | 20733-01 20734-04        | L-07 R-08            |
| Rear Hgr. Assy., Cast (CH)     |          | 712-01      | L y               | L 16293-01<br>R 16293-02 | L 712-11<br>R 712-12 |

**SPRING SEAT CHART G**

| Seat Height    | 3/4      | 1 1/4    | 1 3/4    | 2 1/4    | 2 3/4 | 3 1/4 | 3 3/4 | 4 1/4 | 4 3/4 |
|----------------|----------|----------|----------|----------|-------|-------|-------|-------|-------|
| 5" Round       | 22215-01 | 22215-02 | 22215-03 | 22215-04 | NR    | --    | --    | --    | --    |
| 5" X 5" Square | 7759-01  | 7759-02  | 7759-03  | 7759-04  | NR    | --    | --    | --    | --    |
| 4" X 6" Rect.  | NR       | 7727-02  | 7727-03  | 7727-04  | NR    | --    | --    | --    | --    |



## HUTCHENS TRAILER SLIDERS

**After all these years, it is still the most durable and reliable slider on the road today.**

The Hutch 9800 Series of sliders is a continuously evolving line of trailer slider systems. Whether your requirements are for a standard 49" tandem axle or a widespread axle application, the 9800 Series has a sliding subframe to fit your specific needs.

Overall subframe heights from 8 1/2" to 10 1/2" deep (as measured from the top of the body rail to the bottom of the subframe) combined with our versatile Hutch 9700 Series suspension results in a wide variation of mounting heights and weight capacities up to 25,000 lbs./axle.

All 9800 Series sliders offer the Hutch EZ-PULL pin release system as standard. The Hutch P3 (Pneumatic Pin Puller) air-actuated system is available as an option.



With all of these features, various widths, and body rail lengths up to 328", the Hutch 9800 family of sliders can meet any of your van trailer requirements.

### How To Order Your 9800 Series Slider System

*The basis of any order must begin with a complete description of the unit. The following procedure will provide the descriptive information required:*

1. Determine the frame width required by adding 4" to the spring centers you will be using.
2. Determine the slider assembly depth you require. Slider depth is measured from the top of the body rails to the bottom of the sliding subframe.
3. Hutchens only provides 9800 Series sliders with hangers and pipe braces installed at our factory. Unless otherwise specified, fabricated (H) 9700 straddlemount hangers for 49" axle centers are assumed.
4. Select the range of slide adjustment you need and what body rail length will provide that range.
5. A locator bar assembly is a standard component with every Hutch slider. The locator bar should be used as directed when positioning the slider.



### STOCKING PART NUMBERS For H9800 Series Sliders

**H9801 sliders have an 8.5" overall height, H9811 sliders have a 10.5" overall height.**

**Sliders with 38" Spring Centers, 42" Box Width With Straddle Hangers Installed\***

| Part No.               | Description  |
|------------------------|--|
| <b>H9801-42</b>        | Slider box with hangers, 8.5" overall height.  |
| <b>H9811-42</b>        | Slider box with hangers, 10.5" overall height  |
| <b>H9811-42-192</b>    | Slider box with hangers and 192" rails, and one manual stop bar. 10.5" overall height. |
| <b>H9811-42-9700WR</b> | Slider box with complete H9700** suspension, 192" rails and one manual stop bar. 10.5" |

**Sliders with 44" Spring Centers, 48" Box Width With Straddle Hangers Installed\***

|                        |  |
|------------------------|--|
| <b>H9801-48</b>        | Slider box with hangers, 8.5" overall height.  |
| <b>H9811-48</b>        | Slider box with hangers, 10.5" overall height.   |
| <b>H9811-48-9700WR</b> | Slider box with complete H9700** suspension, 192" rails and one and one manual stop bar. |

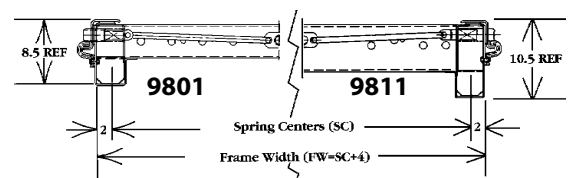


\* Factory hanger installation includes rockers.

\*\* Suspension has 3/4" spring seats for 5 inch round axles, with U-bolts lengths for 3 leaf springs.

These specifications can be changed to meet your needs.

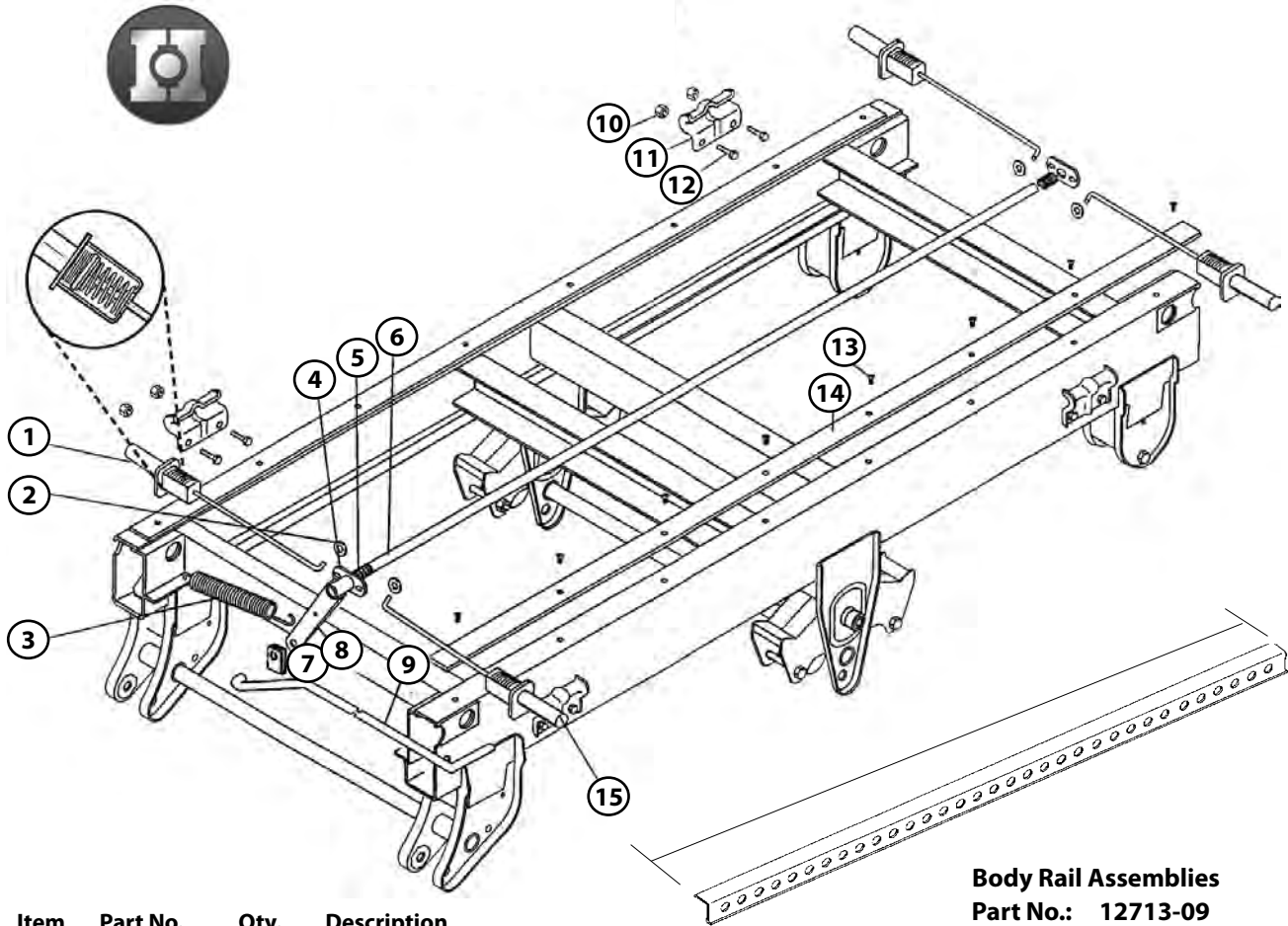
We can tailor a slider/suspension to your specific needs.





**HUTCHENS H9801 / H9811 TRAILER SLIDERS PARTS BREAKDOWN**

**H9801 (8.5" tall) H9811 (10.5" tall)**



| Item | Part No. | Qty. | Description                         |
|------|----------|------|-------------------------------------|
| 1    | 19033-01 | 2    | EZ-PULL Subassembly if 42" wide box |
| 1    | 19033-03 | 2    | EZ-PULL Subassembly if 48" wide box |
| 2    | 177-00   | 4    | Washer                              |
| 3    | 8018-02  | 1    | Spring 12GA x 1 PD x 10-1/8"        |
| 4    | 8028-00  | 2    | Cam                                 |
| 5    | 18064-01 | 2    | Compression Spring                  |
| 6    | 8010-14  | 1    | Pipe - 1" x 95"                     |
| 7    | 11409-01 | 1    | Handle Clip                         |
| 8    | 19224-01 | 1    | Crank                               |
| 9    | 19468-01 | 1    | Handle - Pin Release                |
| 10   | 33-01    | 8    | Hex Lock Nut                        |
| 11   | 20289-01 | 4    | Hold Down Clip                      |
| 12   | 8040-00  | 8    | Hex Bolt- 1/2-20 UNF x 1.25"        |
| 13   | 9627-00  | 16   | Thread Form Screw 5/16-18x5/8"      |
| 14   | 11421-01 | 2    | Slider Pad                          |
| 15   | 19033-03 | 2    | EZ-PULL Subassembly 48" frame width |

**Body Rail Assemblies**

**Part No.: 12713-09**

Length\*: 192 Inches

**Part No. 12713-17**

Length\*: 240 Inches

\*Other lengths available

**Manual Stop Bar**

**Frame**

**Part No. Width**

**11642-09 42"**

**11642-10 48"**

**ALSO IN STOCK - H8200-48 SLIDER BOX.  
Part No. H8200-48.**

**H8200 Series Slider Boxes Only  
With Straddle Hangers Factory installed  
Box with 44" Spring Centers, 48" Width.**



# SLIDER RAIL CONFIGURATIONS

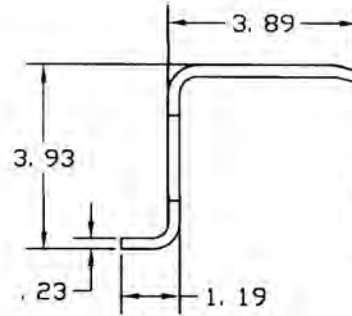
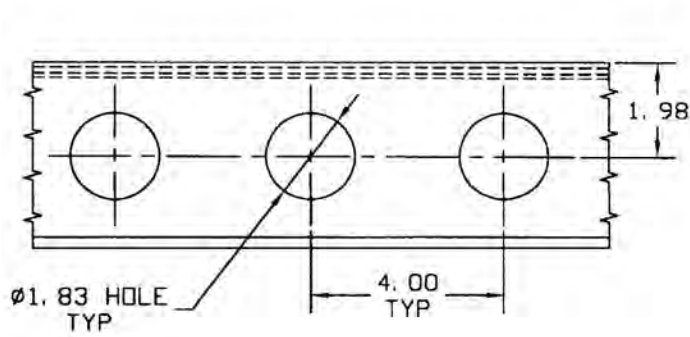
## Hutch H98 Slider Rail Configuration

Holes are on 4" Centers. One piece rail. .229 material

Applications: 8800, 98XX, 8900, 8901, Series 10

Part No. 12713-09 (192")

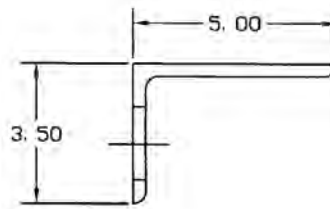
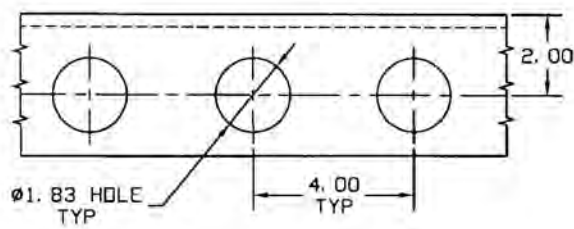
Part No. 12713-17 (240")



## 8178-XX Series Slider Rail Configuration

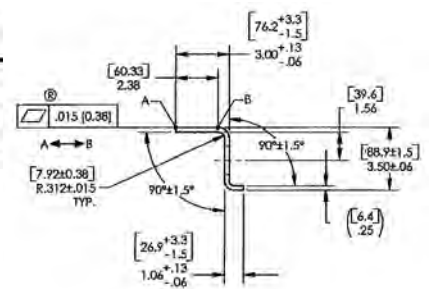
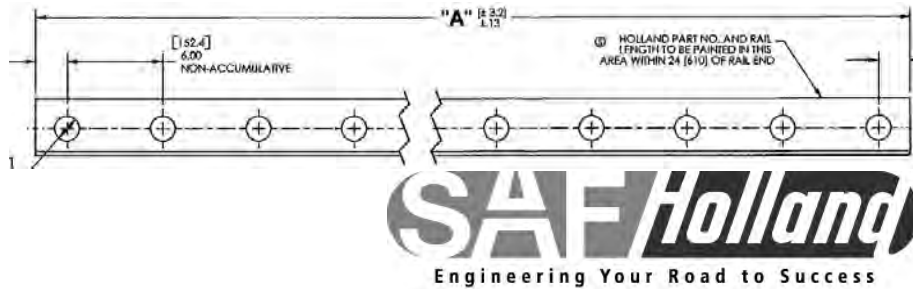
Application: 8500

Part No. 8178-02 (192")



## Holland Binkley Slider Rail Configuration - Holes are on 6" Centers. (Painted)

Part No. SL0854-05 (248") SLO854 = \*1.5" to first hole.





**SLIDER BOX PARTS**

**Air Valve Assy for P3 pin release**  
Pneumatic pin release  
**Part No. 17708-01**



**H8500 Lock Pin Half-Washer**  
**Part No. 11414-00**



**Lock Pin Link - 13-3/8 centers**  
**Part No. 11412-04**  
**Lock Pin Link - 17-5/8 centers**  
**Part No. 11412-16**



**Lock Pin Comp. Spring**

**Part No. Application**

**8018-01** H8500 Slider 1 PD x 8-5/8"

**8018-02** H8800 Slider 13 ga. 1 PD x 10-1/8"



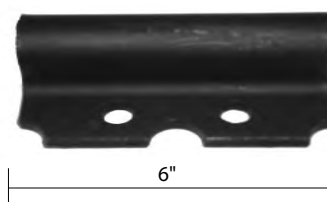
**H8800 Hold Down clip**  
**- Hole centers 4"**

**Part No. 12715-01**



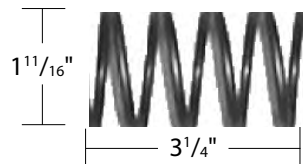
**H9800 Hold Down Clip**  
**- Holes 2-1/4" centers**

**Part No. 20289-01**

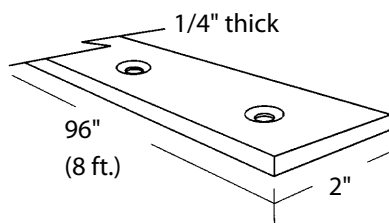


**H8800 Lock Pin Comp. Spring**

**Part No. 12779-01**

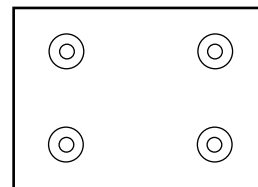


**Slider Pad - Part No. 11421-01**



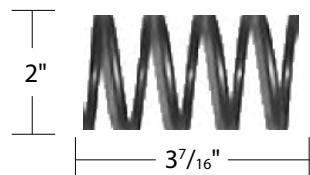
**Slider Pad - Part No. 12818-01**

**.25" x 4" x 5.5"**



**H8500 Lock Pin Spring**

**Part No. 8098-01**



**Slider Pad Screw - All Hutchens**

**5/16-18 x 5/8 Self Threading**

**Part No. 9627-00**



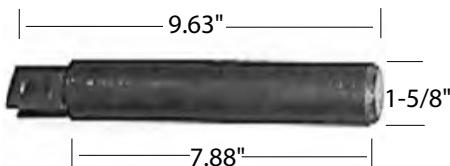
**Slider Pad - Part No. 3-16-38**

**.25" x 4" x 95-3/4"**



**H8500 Slider Lock Pin (4-pin)**

**Part No. 11410-02**



**H8800 Lock Pin**

**Part No. 12716-01**



**H8200 Lock Pin**

**Part No. 11410-00**



**NS400 Lock Pin 1-3/8"**

**Diameter (4-pin)**

**Part No. SL0A1238**

**Lock Pin for H9800 and**

**H9810 Sliders**

**Part No. 18426-01**



**Repair Kit for EZ Pull**

**Part No. 23486-01**



**PULL HANDLE - H9802/H9830**

**Part No. 18010-01, 32" length**

**PULL HANDLE - H9801/H9811**

**Part No. 19468-01, 34.5" length**

**EZ Pull Pin Kit - LH**

**Part No. 19395-03**



## HUTCHENS H-900 SERIES SINGLE POINT SUSPENSIONS

### Application

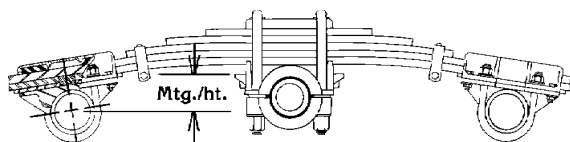
The 900 series suspensions are designed for heavy-duty and/or off-road applications. The 900 is a single point suspension connected to the trailer frame by a trunnion located at the center of the suspension. This makes it ideal for logging, heavy load hauling and dump operations.

### Capacity

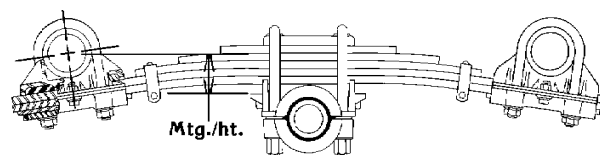
The 900 series suspensions are available in Gross Tandem Weight Ratings (GTWR) of 36,000, 42,000, 44,000, 50,000 and 60,000 lbs.

### Options

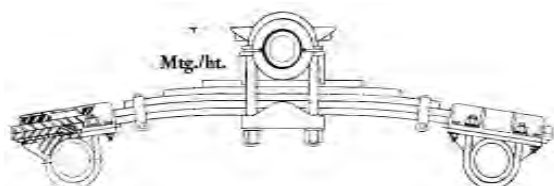
Numerous mounting heights (Mtg./Ht. = The vertical distance from the centerline of the axle to the top of the trunnion hanger), axle and trunnion combinations are possible. These include overslung (OS, springs over axles) and underslung (US, springs under axles) axle units as well as overslung (springs over trunnion) and underslung (springs under trunnion) trunnion configurations.



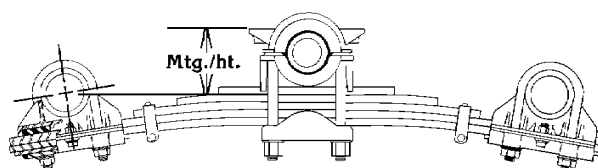
Overslung Axles - Overslung Trunnion



Underslung Axles - Overslung Trunnion



Overslung Axles - Underslung Trunnion



Underslung Axles - Underslung Trunnion

### OVERSLUNG AXLE SPECIFICATIONS AND MOUNTING HEIGHTS FOR MODELS: H900-50 with 4.5 Trunnion Height, 5" Round and 5" x 5" Square Axles.

| Part No.                     | Rating (GTWR) | Spring Number | Spring Leaves | Nominal Axle Spacing |        | Mounting Height    |        |                     |        |
|------------------------------|---------------|---------------|---------------|----------------------|--------|--------------------|--------|---------------------|--------|
|                              |               |               |               | Unloaded             | Loaded | Overslung Trunnion |        | Underslung Trunnion |        |
|                              |               |               |               |                      |        | Unloaded           | Loaded | Unloaded            | Loaded |
| <b>H900-50-OS</b>            | 50,000        | 10055-00      | 7             | 48.00                | 48.75  | 6.00               | 5.00   | 18.50               | 17.12  |
| <b>H900-50-OS</b>            | 50,000        | 9999-00       | 7             | 50.50                | 51.50  | 6.00               | 4.62   | 18.50               | 17.50  |
| <b>H900-50-OS</b>            | 50,000        | TRA-2750      | Tapered 3     | 50.50                | 51.50  | 6.00               | 4.62   | 16.50               | 15.12  |
| <b>H900-50-OS</b>            | 50,000        | 10000-00      | 8             | 54.00                | 55.25  | 6.50               | 5.00   | 19.75               | 18.25  |
| With 4.5 Trunnion Height Add |               |               |               |                      |        | 0.00               | 0.00   | 0.00                | 0.00   |
| With 6.5 Trunnion Height Add |               |               |               |                      |        | 2.00               | 2.00   | 2.00                | 2.00   |
| With 8.5 Trunnion Height Add |               |               |               |                      |        | 4.00               | 4.00   | 4.00                | 4.00   |

Mounting heights shown for model H-900-50 is based on a 4.50 high trunnion bracket. Do not use the 2.50 high bracket on models with 50,000 lbs. GTWR or greater.

### UNDERSLUNG AXLE SPECIFICATIONS AND MOUNTING HEIGHTS FOR MODELS: H900-50 with 4.5 Trunnion Height, 5" Round and 5" x 5" Square Axles.

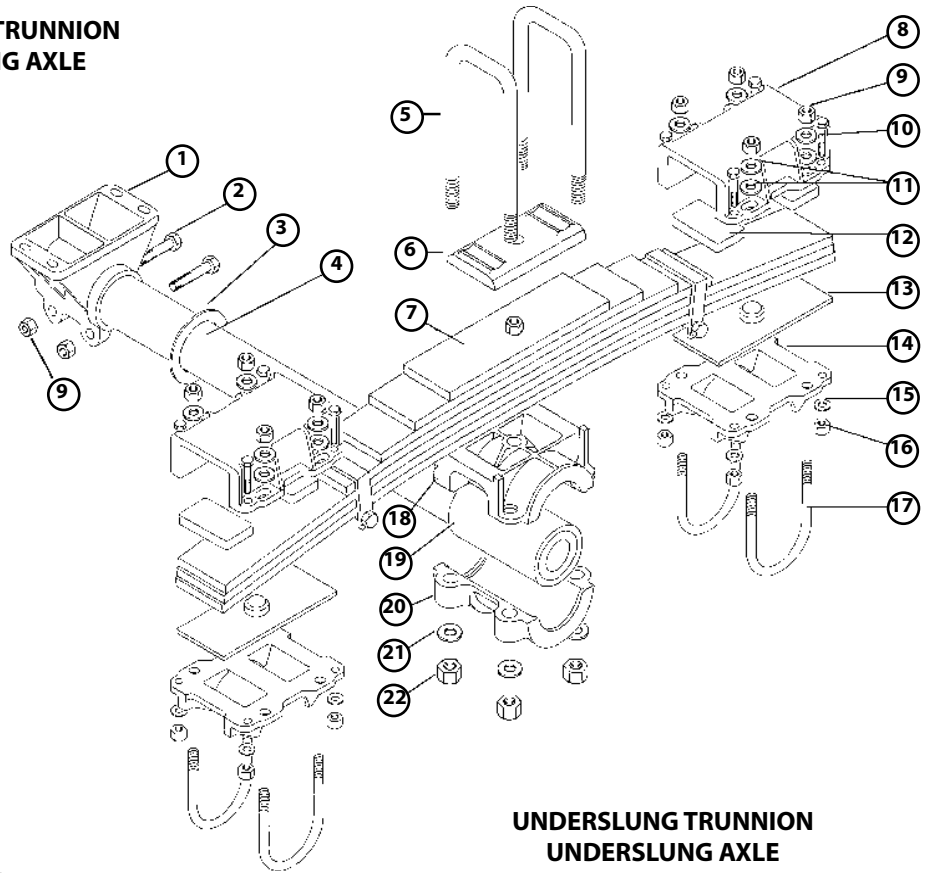
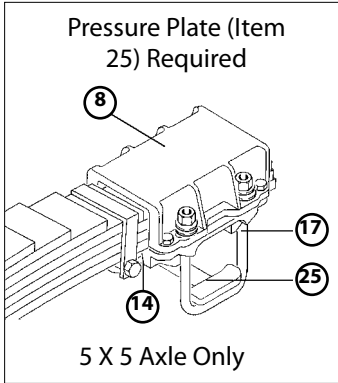
| Part No.                     | Weight Rating (GTWR) | Spring Number | Spring Leaves | Nominal Axle Spacing |        | Mounting Height    |        |                     |        |
|------------------------------|----------------------|---------------|---------------|----------------------|--------|--------------------|--------|---------------------|--------|
|                              |                      |               |               | Unloaded             | Loaded | Overslung Trunnion |        | Underslung Trunnion |        |
|                              |                      |               |               |                      |        | Unloaded           | Loaded | Unloaded            | Loaded |
| <b>H-900-50</b>              | 50,000               | 10055-00      | 7             | 50.62                | 50.00  | -3.00              | -4.00  | 9.50                | 8.50   |
| <b>H-900-50</b>              | 50,000               | 9999-00       | 7             | 53.00                | 52.25  | -3.00              | -4.37  | 9.50                | 8.12   |
| <b>H-900-50</b>              | 50,000               | TRA-2750      | Tapered 3     | 53.00                | 52.25  | -3.00              | -4.37  | 7.50                | 6.12   |
| <b>H-900-50</b>              | 50,000               | 10000-00      | 8             | 57.00                | 56.00  | -2.50              | -4.00  | 10.75               | 9.25   |
| With 4.5 Trunnion Height Add |                      |               |               |                      |        | 0.00               | 0.00   | 0.00                | 0.00   |
| With 6.5 Trunnion Height Add |                      |               |               |                      |        | 2.00               | 2.00   | 2.00                | 2.00   |
| With 8.5 Trunnion Height Add |                      |               |               |                      |        | 4.00               | 4.00   | 4.00                | 4.00   |

Mounting heights shown for model H-900-50 is based on a 4.50 high trunnion bracket. Do not use the 2.50 high bracket on models with 50,000 lbs. GTWR or greater.



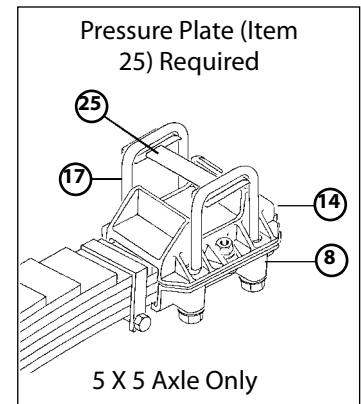
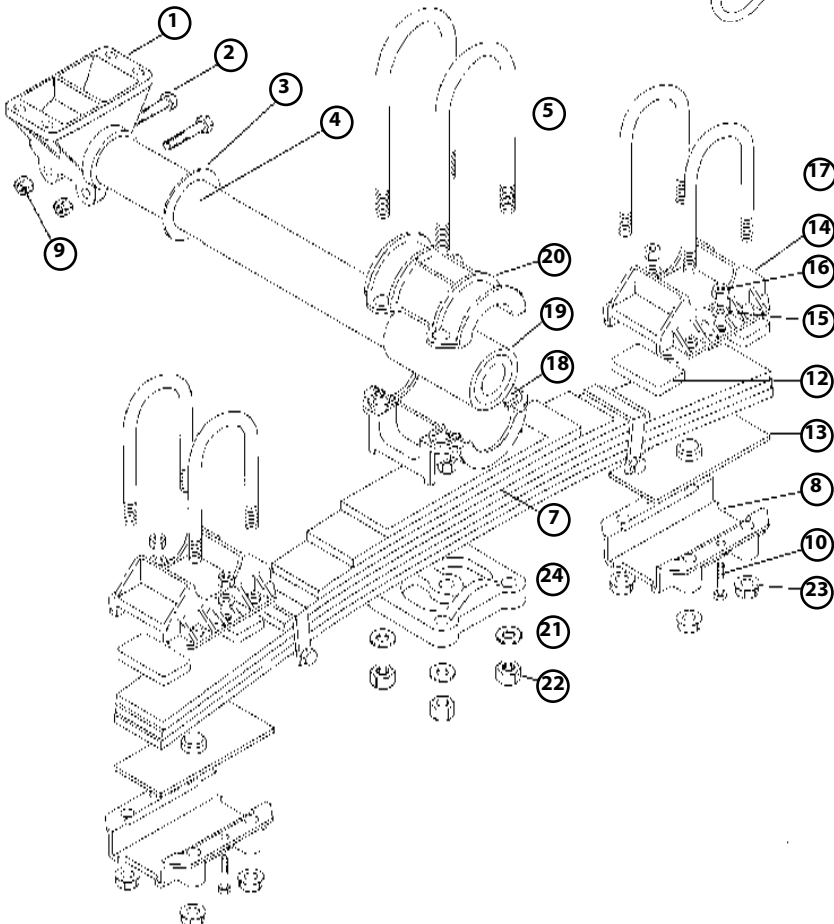
# HUTCHENS H-900 SERIES SINGLE POINT SUSPENSIONS

## OVERSLUNG TRUNNION OVERSLUNG AXLE



## UNDERSLUNG TRUNNION UNDERSLUNG AXLE

SEE CHART NEXT  
PAGE  
>>>>>



**HUTCHENS H-900 SERIES SINGLE POINT SUSPENSIONS****MULTI-LEAF 42, 50 AND 60,000  
Quantity**

SEE LAYOUT PREVIOUS PAGE

&lt;&lt;&lt;&lt;&lt;&lt;&lt;

| Item | Part No.    | Overslung Trunnion |                 | Underslung Trunnion |                 | Description                          |
|------|-------------|--------------------|-----------------|---------------------|-----------------|--------------------------------------|
|      |             | Overslung Axle     | Underslung Axle | Overslung Axle      | Underslung Axle |                                      |
| 1    | See Chart A | 2                  | 2               | 2                   | 2               | Trunnion Hanger                      |
| 2    | 10376-00    | 4                  | 4               | 4                   | 4               | Hex Bolt 3/4-16 UNF x 4 1/2 GR5      |
| 3    | 895-00      | 2                  | 2               | 2                   | 2               | Washer, 7 Ga. x 4 1/32 ID x 5 3/4 OD |
| 4    | See Chart B | 1                  | 1               | 1                   | 1               | Trunnion Tube                        |
| 5    | See Chart C | 4                  | 4               | 4                   | 4               | U-Bolt, Trunnion                     |
| 6    | 9640-00     | 2                  | 2               | 0                   | 0               | Top Plate - Cast, Square U-Bolt      |
| 7    | See Chart D | 2                  | 2               | 2                   | 2               | Spring**                             |
| 8    | See Chart E | 4                  | 4               | 4                   | 4               | Spring End Cap                       |
| 9    | 39D12       | 20                 | 4               | 20                  | 4               | Hex Nut, Self Locking, 3/4-16 UNF    |
| 10   | 9293-00     | 16                 | 8               | 16                  | 8               | Hex Bolt 5/8-18 UNF x 2, Gr 5        |
| 11   | 817-00      | 32                 | 0               | 32                  | 0               | Washer, 1/8 x 1 3/16 ID x 1 1/2 OD   |
| 12   | 814-00      | 8                  | 8               | 8                   | 8               | Rubber Pd - Plain                    |
| 13   | 10608-00    | 4                  | 4               | 4                   | 4               | Adjustment Plate                     |
| 14   | See Chart G | 4                  | 4               | 4                   | 4               | Spring Seat                          |
| 15   | 10273-00    | 16                 | 8               | 16                  | 8               | Washer, 1/8 x 2 1/32 ID x 1 15/16 OD |
| 16   | 37-03       | 16                 | 8               | 16                  | 8               | Hex Locknut 5/8-18 UNF               |
| 17   | See Chart F | 8                  | 8               | 8                   | 8               | U-Bolt, Axle                         |
| 18   | 891-00      | 2                  | 2               | 2                   | 2               | Trunnion Hub - Upper Half            |
| 19   | 890-00      | 2                  | 2               | 2                   | 2               | Rubber Bushing - Trunnion Hub        |
|      | 20248-01    | 2                  | 2               | 2                   | 2               | Free Oscillating Trunnion Bushing*   |
| 20   | 898-00      | 2                  | 2               | -                   | -               | Trunnion Hub - Lower Half            |
|      | 892-00      | -                  | -               | 2                   | 2               | Trunnion Hub - Lower Half            |
| 21   | 837-00      | 8                  | 8               | 8                   | 8               | Washer, 1/8 x 1 1/4 ID x 2 1/4 OD    |
| 22   | 836-00      | 8                  | 8               | 8                   | 8               | Hex Nut, 1 1/8-12 UNF x 1 1/2 Hi     |
| 23   | 10562-00    | 0                  | 16              | 0                   | 16              | Flange Nut - Self Locking 1-14 UNS   |
| 24   | 820-00      | 0                  | 0               | 2                   | 2               | Spring Clamp Plate                   |
| 25   | 10488-00    | 4                  | 4               | 4                   | 4               | Pressure Plate, 5 x 5 Axle Only      |

**Trunnion Hanger Chart A (Item 1)**

Trunnion Hanger Height (Inches)

| Part No. | 2 1/2    | 4 1/2  | 6 1/2  | 8 1/2 |
|----------|----------|--------|--------|-------|
| 850-01   | 10476-03 | 849-01 | 897-01 |       |

**Trunnion Tube Chart B (Item 4)**

Spring Centers (")/Trunnion Hanger Centers(")

| Unit Weight Cap. (lbs.)    | 38/22.12 | 36/20.12 | 44/28.12 | 42/26.12 | 41/25.12 |
|----------------------------|----------|----------|----------|----------|----------|
| <b>50,000 &amp; 60,000</b> | 893-02   | 893-05   | 893-08   | 893-10   | 893-12   |

**Trunnion U-Bolt Chart C (Item 5)**

| Unit Weight/Spring<br>Cap. (lbs.)/Part No. | Trunnion Configuration |          |            |        |
|--|------------------------|----------|------------|--------|
|  | Overslung              | Lgth     | Underslung | Lgth   |
| 44,000/12258-01                            | 9639-01                | 12 5/16  | 835-04     | 13 3/4 |
| 50,000/10055-00                            | 9639-03                | 13 15/16 | 835-04     | 15 3/8 |
| 50,000/9999-00                             | 9639-03                | 13 15/16 | 835-04     | 15 3/8 |
| 50,000/12258-01                            | 9639-01                | 12 5/16  | 835-04     | 13 3/4 |
| 50,000/10000-00                            | 9639-04                | 14 11/16 | 835-06     | 16 1/8 |
| 60,000/10001-00                            | 9639-05                | 15 1/2   | 835-05     | 17     |

**\*\*Spring Identification Chart D (Item 7)**

| Capacity    | 50,000  | 50,000  | 50,000   |
|-------------|---------|---------|----------|
| # of Leaves | 7       | 7       | 8        |
| Part No.    | 9997-00 | 9998-00 | 10055-00 |

**Spring End Cap****Chart E****Overslung Axle****(Item 8) Unit Cap. (lbs.)**

| Axle Size         | 36,000   | 42-60,000 |
|-------------------|----------|-----------|
| 5" Rd., 5x5 Sq.   | 10049-00 | 9937-00   |
| 5.75" Rd., 6" Rd. | 10049-00 | 9937-00   |

**Underslung Axle  
Unit Cap. (lbs.)**

| Axle Size         | 36,000   | 42-60,000 |
|-------------------|----------|-----------|
| 5" Rd., 5x5 Sq.   | 10050-02 | 9941-02   |
| 5.75" Rd., 6" Rd. | ---      | 9942-02   |

**Axle U-Bolt Chart F (Item 17)**

| Axle Size   | Unit Weight<br>Capacity | Axle Configuration |       |            |        |
|-------------|-------------------------|--------------------|-------|------------|--------|
|             |                         | Overslung          | Lgth  | Underslung | Lgth   |
| 5" Rd       | 42-60,000               | 10060-01           | 7     | 10064-02   | 10 1/2 |
| 5" x 5" Sq. | 42-60,000               | 10063-02           | 7 7/8 | 10067-03   | 11 1/8 |

**Spring Seat Chart G (Item 14)****Axle Configuration**

| Axle Size | Overslung | Underslung |
|-----------|-----------|------------|
| 5" Rd     | 9934-02   | 9938-00    |
| 5 x 5 Sq. | 9935-02   | 9939-00    |

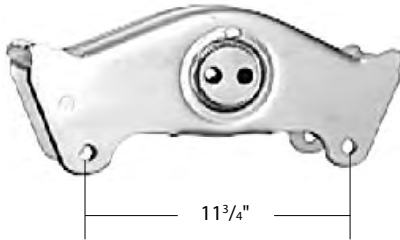




**HUTCHENS 7700 SERIES SUSPENSION PARTS**

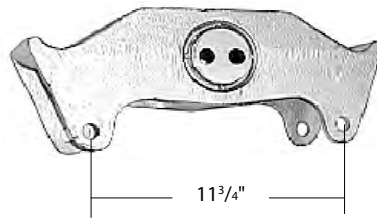
**Fabricated Equalizer**

**Part No. Application**  
**750-03** H7700 Suspensions  
 Includes 7010-00 rubber bushing



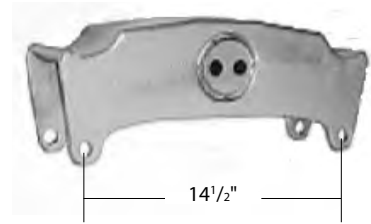
**Cast Equalizer**

**Part No. Application**  
**19137-01** CH7700 Suspensions  
 Includes 7010-00 rubber bushing



**Cast Equalizer**

**Part No. Application**  
**24712-01** 7700 Suspensions  
 Includes rubber bushing.



**For 50 inch axle centers**  
 using standard multi-leaf springs.  
**For 44 inch axle centers**  
 using six or single leaf springs

**Straddle Mount Equalizer Hanger**

**Part No. Application**  
**7702-01** H7700 Suspensions



**Under Mount Equalizer Hanger**

**Part No. Application**  
**7702-02** H7700 Suspensions



**INSTALLATION KIT**  
**For 7700 Series Equalizers**  
**Kit No. NL77**

| Qty. | Part No. | Description           |
|------|----------|-----------------------|
| 2    | 7016-01  | Step Bolt             |
| 2    | 759-00   | 5/8-18X4 1/2 Hex Bolt |
| 2    | 756-00   | Sleeve Spacer         |
| 4    | 37-03    | 5/8-18 Hex Locknut    |
| 1    | 729-00   | Tab Washer, 5/8       |



**Side Mount Equalizer Hanger**

**Part No. Application**  
**7702-03** H7700 Suspensions



**Flange Mount Equalizer Hanger**

**Part No. Application**  
**7702-05** H7700 Suspensions





# HUTCHENS 9700 SERIES SUSPENSIONS

**HANGER AND ROCKER ASSEMBLY**  
Factory assembled using a Huck "lockbolt", standard on H9700 & CH9700 suspensions.



| Hanger Style | Assembly Part No. |          |
|--------------|-------------------|----------|
|              | Fabricated        | Cast     |
| Straddle     | 16319-01          | 16319-51 |
| Under Mount  | 16319-02          | 16319-52 |
| Side Mount   |                   | 16319-52 |

**BOLT KIT FOR 9700 SERIES ROCKER INSTALLATION**

Replaces the Huck lock bolt on H-9700 series suspensions.

**Kit No. NL97 (w/decal)**  
**Kit No. NL97S (no decal)**



| Qty. | Part No. | Description                        |
|------|----------|------------------------------------|
| 1    | 16150-01 | Bolt, 1-1/8-7 x 6.88" long.        |
| 2    | 837-00   | Washer, 1/8x1-1/4x2-1/4OD          |
| 1    | 11154-00 | Hex lock nut, 1-1/8-7              |
| 2    | 759-00   | Bolt, spr'g retainer, 5/8-18x4-1/4 |
| 2    | 756-00   | Sleeve spacer, 3/4 OD x 3-1/4      |
| 2    | 37-03    | Hex lock nut, 5/8-18               |

Parts are for one rocker installation. (Rocker not included)  
**Note:** The NL97 includes decal with special torque requirements for this kit.  
Decal should be applied to vehicle.

**Equalizer and Bolt Kit:**  
**Part No. UP16158-01KIT**

Consists of: 16158-01 - 1 pc & NL97S - 1 pc

**Fab Equalizer With Bushing**

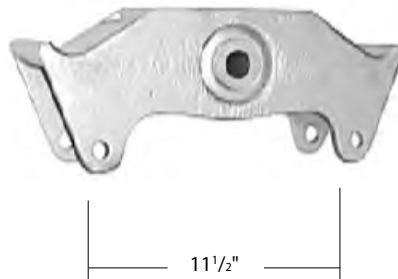
| Part No.                           | Application        |
|------------------------------------|--------------------|
| 16158-01                           | H-9700 Suspensions |
| Single Bolt 42" / 49" axle centers |                    |
| Includes 18723-01 rubber bushing   |                    |

**Cast Equalizer With Bushing**

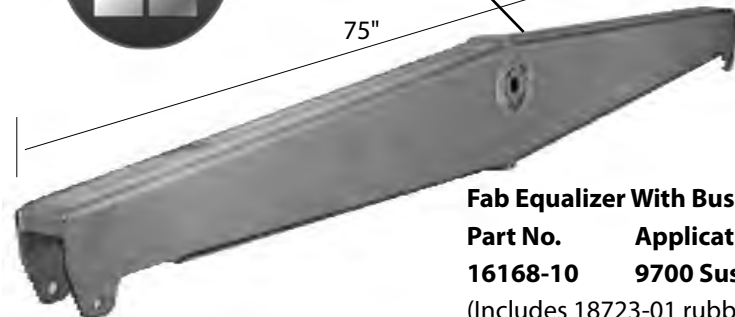
| Part No.                           | Application        |
|------------------------------------|--------------------|
| 17784-01                           | CH-9700 Suspension |
| Single Bolt 42" / 49" axle centers |                    |
| Includes 18723-01 rubber bushing   |                    |

**Cast Equalizer With Bushing**

| Part No.                           | Application     |
|------------------------------------|-----------------|
| 24711-01                           | 9700 Suspension |
| Includes 18723-01 rubber bushing   |                 |
| Single Bolt 44/50/51 axle centers. |                 |



For suspensions with 109" axle centers. **Part No. 16168-10 shown.**



**Fab Equalizer With Bushing**

| Part No.                           | Application      |
|------------------------------------|------------------|
| 16168-10                           | 9700 Suspensions |
| (Includes 18723-01 rubber bushing) |                  |
| 9239-10                            | 7700 Suspensions |
| (Includes 7010-00 rubber bushing)  |                  |

**Fab Equalizer With Bushing**

| Part No.                              | Application     |
|---------------------------------------|-----------------|
| 24820-01                              | 9700 Suspension |
| Includes 18723-01 rubber bushing      |                 |
| Single Bolt 53.5 / 54.5 axle centers. |                 |



\*Illustration shows beam with bushing for 9700 series suspension



**HUTCHENS 9700 & 7700 SERIES SUSPENSIONS**

**Front Hanger Straddle Mount**

| Part No. | Application     |
|----------|-----------------|
| 7701-01  | H-9700 & H-7700 |



**Front Hanger Under Mount**

| Part No. | Application     |
|----------|-----------------|
| 20728-01 | H-9700 & H-7700 |



**Front Hanger Side Mount**

| Part No.      | Application     |
|---------------|-----------------|
| 20729-01 (LH) | H-9700 & H-7700 |
| 20730-01 (RH) | H-9700 & H-7700 |



**Equalizer Hanger Straddle Mount**

| Part No. | Application       |
|----------|-------------------|
| 16169-01 | H-9700 Suspension |



**Equalizer Hanger Under Mount**

| Part No. | Application       |
|----------|-------------------|
| 16171-01 | H-9700 Suspension |



**Equalizer Hanger Side Mount**

| Part No. | Application       |
|----------|-------------------|
| 16175-01 | H-9700 Suspension |



**Rear Hanger Straddle Mount**

| Part No. | Application     |
|----------|-----------------|
| 7703-01  | H-9700 & H-7700 |



**Rear Hanger Under Mount**

| Part No. | Application     |
|----------|-----------------|
| 20732-01 | H-9700 & H-7700 |



**Rear Hanger Side Mount**

| Part No.      | Application     |
|---------------|-----------------|
| 20733-01 (LH) | H-9700 & H-7700 |
| 20734-01 (RH) | H-9700 & H-7700 |





## HUTCHENS 9700 & 7700 SERIES SUSPENSION PARTS

### Front Hanger Flange Mount

| Part No.     | Application   |
|--------------|---------------|
| 7701-07 (LH) | H-9700/H-7700 |
| 7701-08 (RH) | H-9700/H-7700 |



### Cast Front Hanger Straddle Mount

| Part No. | Application     |
|----------|-----------------|
| 702-01   | CH-9700/CH-7700 |



### Cast Front Hanger Under/Side Mt.

| Part No.      | Application |
|---------------|-------------|
| 16291-03 (LH) | CH-9700     |
| 16291-04 (RH) | CH-9700     |



### Equalizer Hanger Flange Mount

| Part No. | Application |
|----------|-------------|
| 16178-01 | H-9700      |



### Cast Equalizer Hanger Straddle Mount

| Part No. | Application |
|----------|-------------|
| 16196-03 | CH-9700     |



### Cast Equalizer Hanger Under Mount/Side Mount

| Part No. | Application |
|----------|-------------|
| 16197-03 | CH-9700     |



### Rear Hanger Flange Mount

| Part No.     | Application     |
|--------------|-----------------|
| 7703-07 (LH) | H-9700 & H-7700 |
| 7703-08 (RH) | H-9700 & H-7700 |



### Cast Rear Hanger Straddle Mount

| Part No. | Application |
|----------|-------------|
| 712-01   | CH-9700     |



### Cast Rear Hanger Under/Side Mt.

| Part No.      | Application     |
|---------------|-----------------|
| 16293-01 (LH) | H-9700 & H-7700 |
| 16293-02 (RH) | H-9700 & H-7700 |





**HUTCHENS 9700 & 7700 SERIES SUSPENSION PARTS**

**Cast Front Hanger Flange Mt.**

| Part No.    | Application     |
|-------------|-----------------|
| 702-11 (LH) | CH-9700, CH7700 |
| 702-12 (RH) | CH-9700, CH7700 |



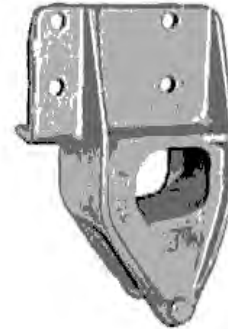
**Cast Equalizer Hanger Flange Mount**

| Part No. | Application |
|----------|-------------|
| 16199-03 | CH9700      |



**Cast Rear Hanger Flange Mount**

| Part No.    | Application |
|-------------|-------------|
| 712-12 (RH) | CH-9700     |
| 712-11 (LH) | CH-9700     |



**Rebound Parts for Hucked Suspensions**

| Part No. | Application       |
|----------|-------------------|
| NL97H    | H9700 Suspensions |

Includes 4pcs ea of 37-03, 756-00, 759-00



**Torque Decal for H9700 / H9600**

| Part No. | Application  |
|----------|--------------|
| 16086-01 | H9700, H9600 |



**Beam Guide Hanger Under Mount 97", 109", 121" Widespreads**

| Part No. | Application      |
|----------|------------------|
| 7707-14  | 9700 Suspensions |



**Underslung Parts - 9700 - Spring Seat**

| Part No. | Description               |
|----------|---------------------------|
| 22215-01 | 3/4" Spring Seat 5" Round |



**Underslung Parts - 9700 - Bottom Plate**

| Part No. | Description           |
|----------|-----------------------|
| 706-01   | Bottom Plate 5" Round |



**Rubber Equalizer Bushing**

| Part No.     | Application      |
|--------------|------------------|
| 18723-01 (A) | 9700 Suspensions |
| 7010-00 (B)  | 7700 Suspensions |



**HUTCHENS H9700 & H7700 SERIES SUSPENSION PARTS****Bottom Plate For No-Hop**

| Part No. | Description    |
|----------|----------------|
| 10775-00 | 5" round axles |

**Adjustable Radius Rods**

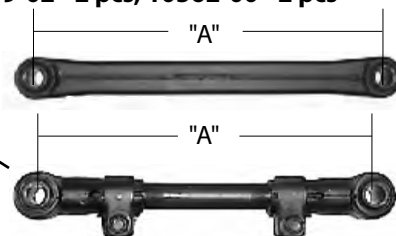
| Part No. | "A" Dimension |
|----------|---------------|
| 16398-01 | 14"           |
| 16398-02 | 16"           |
| 16398-03 | 16.62"        |
| 16398-04 | 19.25"        |
| 16398-06 | 21.50"        |
| 16398-08 | 23.50"        |
| 16398-12 | 29.25"        |
| 16398-17 | 17"           |

Includes 722-00 rubber bushings

**NEW! Kit No: UP16398-04KIT****Includes: 16398-04 - 1 piece****719-02 - 2 pcs, 10562-00 - 2 pcs.****Non-Adjustable Radius Rod**

| Part No. | Description             |
|----------|-------------------------|
| 715-00   | 19.25" Center to Center |

Includes 722-00 rubber bushings  
**NEW! Kit No: UP715-00KIT**  
**Includes: 715-00- 1 piece**  
**719-02 - 2 pcs, 10562-00 - 2 pcs**

**Radius Rod Bushing**

| Part No. | Description        |
|----------|--------------------|
| 722-00   | 1" I. D. x 3" Long |

**Radius Rod Bushing Kit**

| Part No.  | Contains               |
|-----------|------------------------|
| NL1448    | 1 722-00 Bushings      |
| Box Qty   | 1 719-02 1-14 x 5 bolt |
| =2 pc min | 1 10562-00 1-14 Nut    |

**Radius Rod Bolt & Nut**

| Part No. | Description               |
|----------|---------------------------|
| 719-02   | Bolt, 1-14 x 5            |
| 10562-00 | Flange Locknut, 1-14 Gr F |

**Keep Your Hutchens Suspensions All "Hutch"****Rebound Bolt, Spacer, Nut**

| Part No. | Description               |
|----------|---------------------------|
| 759-00   | 5/8-18 x 4 1/2 GR 2 Bolt  |
| 37-03    | 5/8-18 UNF GR B Nut       |
| 756-00   | Spacer, 3/4" x 3 1/4" Lg. |

Kit containing 4 of each item:  
**Part No. NL97H****Top Plates**

| Part No. | Description             |
|----------|-------------------------|
| 16868-01 | H-7700 & H-9700 (Shown) |
| 7030-00  | 1/4x3x7-9/16            |

**Bottom Plates**

| Part No. | Description                   |
|----------|-------------------------------|
| 710-00   | 5" round, OS axle, 7/8" ubolt |
| 7747-01  | 5 x 5 Square                  |

**Spring Seat, 5" Round****H7700 / H9700**

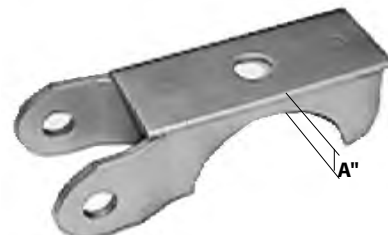
| Part No. | Description (A) dimension |
|----------|---------------------------|
| 19360-01 | 3/4" High                 |
| 19360-02 | 1.25" High                |
| 19360-03 | 1.75" High,               |
| 19360-04 | 2.25" High                |
| 19360-05 | 2.75" High                |
| 19360-06 | 3.25" High                |
| 19360-07 | 3.75" High                |
| 19360-08 | 4.25" High                |
| 19360-09 | 4.75" High                |
| 19365-01 | 5x5 Square (not pictured) |

**For Use on Triaxle and Quad Suspensions. Bump out Block for Tri & Quad**

| Part No. | Description       |
|----------|-------------------|
| 10521-00 | 3-1/4" half round |

**Spring Spacer, 1.5" High**

| Part No. | Description         |
|----------|---------------------|
| 7028-00  | 1.5" x 3.0" x 7.50" |





**REYCO SUSPENSION PARTS**

**Front Hangers - Under Mount  
21B Cast suspension**

| Part No. | Application          |
|----------|----------------------|
| 20478-01 | Universal (Unhanded) |
| T5562    | Right hand           |
| T5563    | Left hand            |



**Front Hanger Flange Mount  
21B Cast suspension**

| Part No. | Application |
|----------|-------------|
| T5424    | Right hand  |
| T5425    | Left hand   |



**Equalizer Hanger - Under Mount  
21B Cast suspension**

| Part No. | Application      |
|----------|------------------|
| T5564    | Reyco 21B (Cast) |



**Center Hanger - Flange Mount  
Reyco 21B Suspension  
Part No. T5426**



**Rear Hanger Under Mount 21B Cast**

| Part No. | Application          |
|----------|----------------------|
| 20476-01 | Universal (Unhanded) |
| T5565    | Left hand            |
| T5566    | Right hand           |
| 08595-01 | Unhanded (FAB)       |



**Rear Hanger Flange Mount  
21B Cast suspension**

| Part No. | Application |
|----------|-------------|
| T5428    | Right hand  |
| T5429    | Left hand   |



**Equalizers - 21B Cast suspensions**

| Part No. | Application               |
|----------|---------------------------|
| 21725-01 | For 49" Axle Centers      |
| 25222-01 | For 42"- 44" Axle Spacing |



**Equalizers - Model 88**

| Part No.         | Application          |
|------------------|----------------------|
| 0650-00          | For 49" Axle Centers |
| Part No. 0850-00 | Cast Model 88        |



**Spring Seats - A = Seat Height**

| Part No. | Application           |
|----------|-----------------------|
| 0973001  | 3/4", 5" , 21B        |
| 0798001  | 3/4", 5" square, 21B  |
| 10114-01 | 1", 5" round, 21B     |
| 08757-01 | 3-1/4", 5" round, 21B |
| 0636-01  | 1", 5" round, 88      |
| 0636-03  | 3", 5" round, 88      |

"A"





## REYCO SUSPENSION PARTS

### Adjustable Torque Arm Assemblies Bushings Not Included

#### 1" Bolt, 2 Piece Bushing

| Part No.       | C/C  | Bushing Kit | Applications / Interchange Information |
|----------------|--|-------------|--|
| <b>1517101</b> | 13 <sup>3</sup> / <sub>4</sub> " to 15 <sup>1</sup> / <sub>2</sub> " | TK18997     | 44" Axle Centers, -(Front Axle)        |
| <b>1517201</b> | 15 <sup>1</sup> / <sub>2</sub> " to 17 <sup>1</sup> / <sub>2</sub> " | TK18997     | 42-44" Axle Centers, T5485, E3283A     |
| <b>1517301</b> | 17 <sup>1</sup> / <sub>2</sub> " to 19 <sup>1</sup> / <sub>2</sub> " | TK18997     | 49" Axle Centers, T5486, E3284A        |
| <b>1517401</b> | 19 <sup>1</sup> / <sub>2</sub> " to 21 <sup>3</sup> / <sub>4</sub> " | TK18997     | 50" Axle Centers, T5487, E2295         |



### Adjustable Torque Arm Assemblies Bushings Included!!

#### 7/8" Bolt, 1 Piece Bushing

| Part No.       | C/C                                     | Bushing Kit | Applications / Interchange Information  |
|----------------|---|-------------|---|
| <b>1634701</b> | 14 <sup>3</sup> / <sub>4</sub> " to 18" | NL3013      | Susp models 45, 102, (Cast Ends!) E2512 |
| <b>1035-20</b> | 19 <sup>7</sup> / <sub>8</sub> "        | NL3013      | Reyco Transpro 86, 88. 16349-01, E2513  |

**NEW! Kit No: UP1035-20KIT Includes:**

**1035-20 - 1 piece, XB-SP0012-36- 2 pcs, XB-SP0050-75 - 2 pcs**

# Reyco Granning

S U S P E N S I O N S

### Non-Adjustable Torque Arm Assemblies Bushings Not Included

#### 1" Bolt, 2 Piece Bushing

| Part No.       | C/C                              | Bushing Kit | Applications / Interchange Information |
|----------------|----------------------------------|-------------|--|
| <b>1517801</b> | 16 <sup>1</sup> / <sub>4</sub> " | TK18997     | 21B Suspension, T7635                  |
| <b>1517901</b> | 18 <sup>7</sup> / <sub>8</sub> " | TK18997     | 21B Suspension                         |
| <b>1528601</b> | 19 <sup>3</sup> / <sub>8</sub> " | TK18997     | 21B Suspension, 50" AC (Rear axle)     |



### Non-Adjustable Torque Arm Assemblies Bushings Included

#### 7/8" Bolt, One Piece Bushing

| Part No.       | C/C                                | Bushing Kit | Applications / Interchange Information |
|----------------|------------------------------------|-------------|--|
| <b>0075-20</b> | 19 <sup>15</sup> / <sub>16</sub> " | NL3013      | Transpro 86, 88.                       |





**REYCO SUSPENSION PARTS**

**Spacer Block, Cast**  
**Reyco 21B Suspension**  
 "A" = 1"  
**Part No. T7716**



**Spacer Block, Ductile**  
**Reyco 21B Suspension**  
 "A" = 1.5"  
**Part No. 24082-01 (T7654)**

**Spacer Block, Ductile**  
**Reyco 21B Suspension**  
 "A" = 2"  
**Part No. 24083-01 (T7655)**



**Top Plate, Inverted "U-Bolts Down", Cast**  
**Reyco 21B Suspension** For "inverted" U-bolts  
**Part No. 0867701**



**Top Plate, Conventional "U-Bolts Up", Cast**  
**Reyco 21B Suspension** for "Conventional" U-bolts  
**Part No. T7175**



**Equalizer Rebushing Kit 21B Tandem Suspension**  
**Part No. TK12506** Kit for 2 Equalizers  
**Part No. TK18998** Kit for 1 Equalizer (shown)

| Qty. | Part No. | Description                  |
|------|----------|------------------------------|
| 2    | 1424701  | Equalizer Shaft              |
| 4    | T5524    | Equalizer Bushing            |
| 4    | 1424901  | Compression Washer           |
| 4    | 1425001  | Lock Washer, Equalizer Shaft |
| 4    | 1424801  | Cap Screw, Equalizer Shaft   |

**Wear Plate**  
**Part No. 15630-01**



**Torque Arm Bushing Kit - Services one rod end**  
**Part No. Application**  
**NL3013** Reyco 101A Axle Seat End

- Includes:
- 1 NL3014 Torque Arm Bolt
  - 2 NL3015 Torque Arm Bushing
  - 2 NL3016 Lock Nut



**Torque Arm Bushing Kit - Services one end**  
**Part No. Application**  
**TK18997** Reyco 21B Tandem Suspension

- Includes:
- 1 T5492 Torque Arm Bolt
  - 2 T5493 Torque Arm Bushing
  - 2 T2224 Compression Washer
  - 1 T5495 Lock Nut





**REYCO SUSPENSION PARTS**

**Torque Arm Bushing  
Reyco 21B Suspension**

**O.D. I.D. Length**  
2<sup>5</sup>/<sub>16</sub>" 1<sup>13</sup>/<sub>16</sub>" 2<sup>15</sup>/<sub>16</sub>"

**Part No. T5493**

Interchanges E1160



**Rubber Bushing - Reyco Model 101A Axle Seat End**

**O.D. I.D. Length**  
1<sup>7</sup>/<sub>8</sub>" 7/8" 3"

**Part No. 0972901 (NL3015)**

Interchange Information - E1980, M1449



**Torque Arm Lock Nut - Reyco 21B Suspension**

Size: 7/8"-9

**Part No. E-2983 (NL3016)**

Size: 7/8"-14

**Lock Nut**

**Part No. 14345-01**



**Equalizer Nut, Reyco Transpro Suspension**

Size 1"-14

**Part No. 10562-00 (0274-01)**

Size 1-1/4"-12

**Part No. 08914-01**



**Compression Washer,  
Reyco 21B Suspension**

**Part No. T2224**

**O.D. I.D. Thick**  
2<sup>3</sup>/<sub>4</sub>" 1<sup>1</sup>/<sub>16</sub>" 3<sup>3</sup>/<sub>16</sub>"



**Equalizer Hex Bolt, Reyco Transpro Suspension**

**Part No. 0001-14 (Shown)**

**Size L = Length**

1"-14 6<sup>1</sup>/<sub>2</sub>"

**Torque Arm / Axle seat Hex Bolt, Reyco Model 88**

**Part No. 0001-08**

**Size L = Length**

7/8"-14 5<sup>1</sup>/<sub>4</sub>"

**Bolt**

**Part No. 1003301**

**Size L = Length**

7/8"-9 5<sup>1</sup>/<sub>2</sub>"

**Torque Arm Bolt - Reyco 21B Suspension**

**Part No. T5492**

**Size L = Length**

1"-14 7"

**Equalizer Bolt - Widespread**

**Part No. 14683-01**

**Size L = Length**

1-1/4"-12 7.875"

**Reyco Model 88 Suspension**

**Fast Moving Parts Listing:**

| Part No. | Description                    |
|----------|--------------------------------|
| 0045-00  | Hanger wear pad, front         |
| 0046-20  | Front hanger, straddle mount   |
| 0084-00  | Front hanger, under mount      |
| 0086-00  | Rear hanger, under mount       |
| 0088-00  | Rocker hanger, under mount     |
| 0400-01  | Front hanger, LH, flange mount |
| 0400-02  | Front hanger, RH, flange mount |
| 0402-01  | Rear hanger, LH, flange mount  |
| 0402-02  | Rear hanger, RH, flange mount  |





## REYCO 86AR AND 20AR SUSPENSION PARTS

### 86AR SUSPENSION PARTS

Track Rod, 48",  
Transverse 44-1/4" Center to center  
**Part No. 10910-01**

Bracket Kit for Track Rod  
2 brackets and bolts  
**Part No. TK21962**

Compression Spring  
**Part No. 19638-01**

Body Rail Guide  
**Part No. 19766-01**

Front Hanger, Straddle Mount  
**Part No. 22662-01**

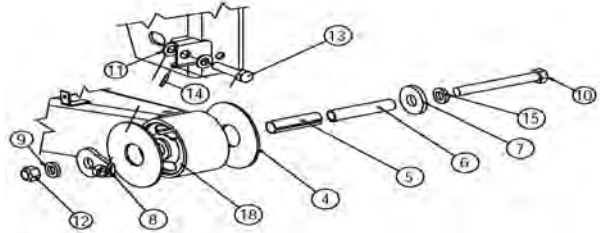
Slider lock pin for Binkley rails  
**Part No. 19753-01**

### 20AR MODEL BUSHING KITS

| Item | Qty | Description          | Part No  |
|------|-----|----------------------|----------|
| 4    | 2   | beam spacers*        | 23427-01 |
| 5    | 1   | sleeve cover*        | 23432-02 |
| 6    | 1   | pivot shaft sleeve*  | 23674-02 |
| 7    | 1   | flange washer        | 23656-02 |
| 8    | 1   | Rey-Align assembly®  | 23673-02 |
| 9    | 1   | disc spring washers* | 23952-01 |
| 10   | 1   | pivot shaft*         | 23286-02 |
| 11   | 2   | 3/4" washer          | 20852-01 |
| 12   | 1   | nut*                 | 14345-01 |
| 13   | 1   | Rey-Align bolt®      | 24398-01 |
| 14   | 1   | pin                  | 24453-01 |
| 15   | 1   | 7/8 washer*          | T7292    |
| 18   | 1   | bushing*             | 25770-01 |

\* Indicates part of  
Rebush Kit  
**Single Beam  
Part No.  
K704656**

**Two Beams  
Part No.  
K704657**

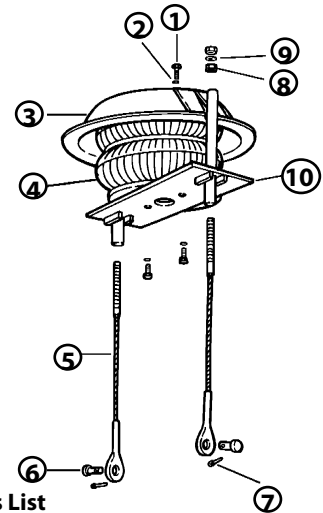
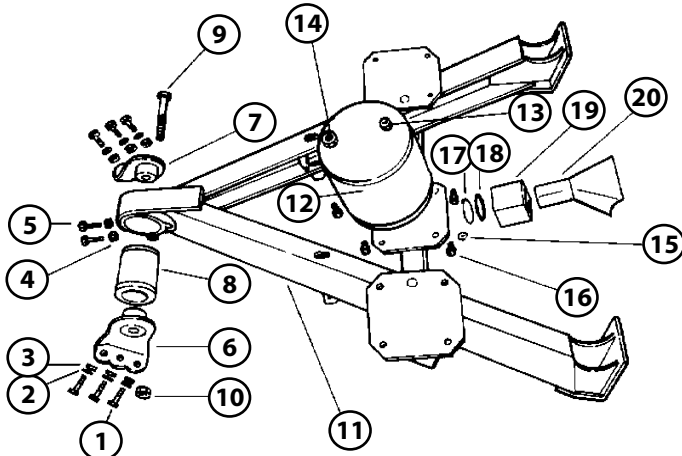


## REYCO GRANNING T200AX PARTS AND T-502L

### T-200AX Drawbar Parts List

T200AX series suspensions are common on transit mixers and block haulers

| Item | T200AX-12 | T-200AX-16 | Description               | Qty |
|------|-----------|------------|---------------------------|-----|
| 6    | 703040-01 | 703040-01  | Anchor, pulling point, LH | 1   |
| 7    | 703040-02 | 703040-02  | Anchor, pulling point, RH | 1   |
| 19   | 3059      | 3059       | Travel Block              | 1   |



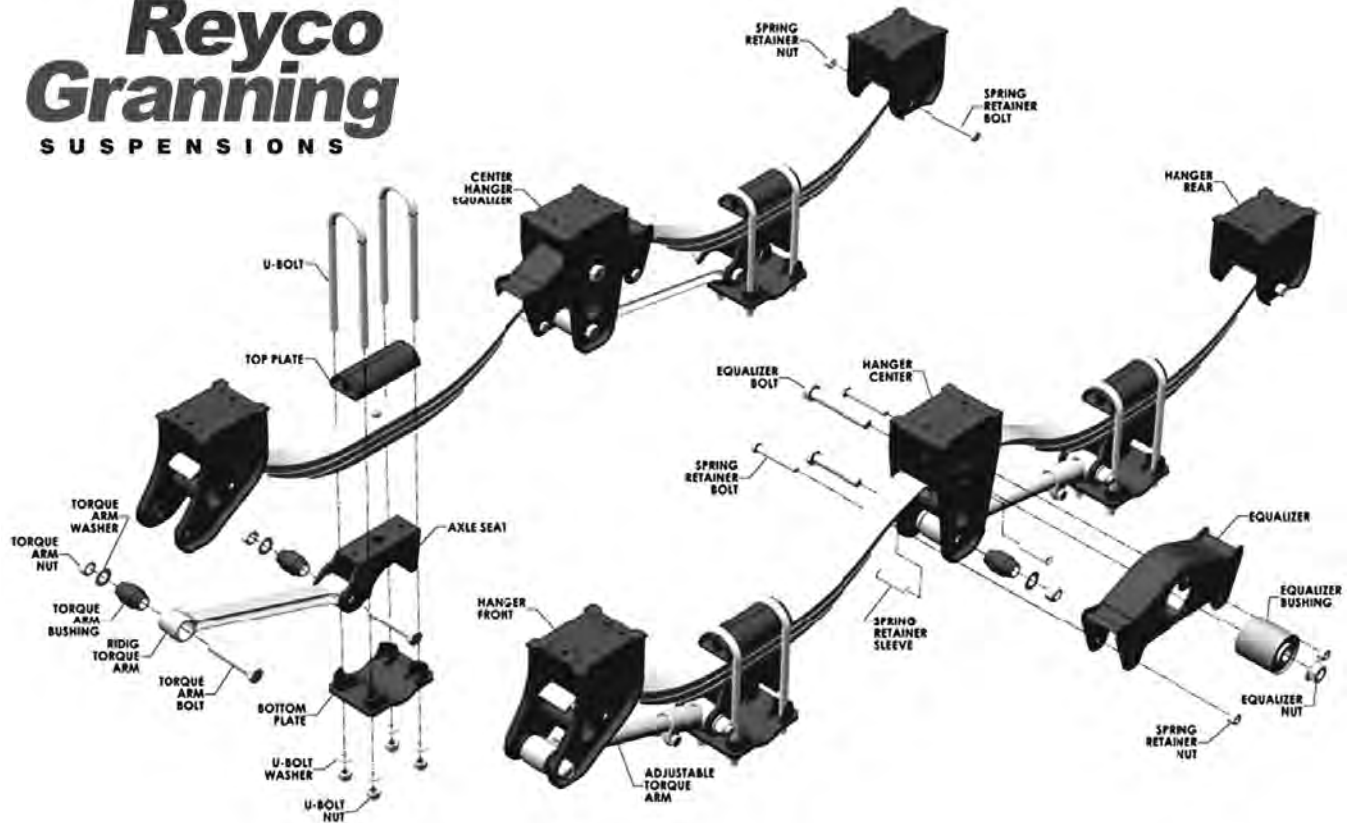
### Granning T-502L Air Lifts Parts List

| Item                                     | Part No. | Part No. | Description              | Qty |
|--|----------|----------|--------------------------|-----|
|  | T-502L-1 | T-502L-4 |                          |     |
|  | T-300A   | T-350A   |                          |     |
|  | Series   | Series   |                          |     |
| 1  | 180121   | 180121   | Bolt, 3/8"-16X7/8"       | 4   |
| 2  | 103321   | 103321   | Lock Washer, 3/8"        | 4   |
| 3  | 1390     | 1390     | Lift Dome Ass'y          | 1   |
| 4  | FS7443   | FS7443   | Air Spring Ass'y         | 1   |
| 5  | 3703     | 3703     | Cable Lift Kit           | 2   |
| *Item 5 Consists of items 6, 7, 8 and 9: |          |          |                          |     |
| 6  | 1235     | 1235     | Pin, Lift Cable          | 1   |
| 7  | 103408   | 103408   | Cotter Pin, 3/16"X1 1/4" | 1   |
| 8  | 451539   | 451539   | Jam Nut, 3/4"-10 Gr5     | 2   |
| 9  | 1595     | 1595     | Washer "D"               | 1   |
| 10                                       | 1387     | 1387     | Plate Assembly           | 1   |



## REYCO MODEL 88 STEEL SPRING TRAILER SUSPENSION

**Reyco  
Granning**  
S U S P E N S I O N S



| Part No. | Description                           |
|----------|---------------------------------------|
| 0400-01  | Flangemount Front Hanger (Left Hand)  |
| 0400-02  | Flangemount Front Hanger (Right Hand) |
| 0402-01  | Flangemount Rear Hanger (Left Hand)   |
| 0402-02  | Flangemount Rear Hanger (Right Hand)  |
| 0401-00  | Flangemount Center Hanger (E4809)     |
| 0084-00  | Undermount Front Hanger               |
| 0086-00  | Undermount Rear Hanger                |
| 0088-00  | Undermount Center Hanger              |
| 0045-00  | Hanger Wear Pad                       |
| 0741-01  | Spring Roller (3 1/8")                |
| 0650-00  | Equalizer (49" Axle Spacing)          |
| 0850-00  | Cast Equalizer (49" Axle Spacing)     |
| 1035-20  | Adjustable Torque Arm ( 19 7/8")      |
| 0075-20  | Rigid Torque Arm ( 19 7/8")           |
| 0972901  | Torque Arm Bushing                    |
| 0867701  | Top Plate (Inverted U-bolt)           |
| 0636-01  | 1" Axle Seat (5" Round)               |

### HANGER KITS

| Part No.  | Hanger Kit Description                        |
|-----------|---|
| 88-FM-N-1 | Hanger Kit Flange Mount Tandem Single         |
| 88-FM-N-M | Hanger Kit Flange Mount Multi Axle Conversion |
| 88-UM-N-1 | Hanger Kit Under Mount Single                 |
| 88-UM-N-M | Hanger Kit Under Mount Multi Axle Conversion  |

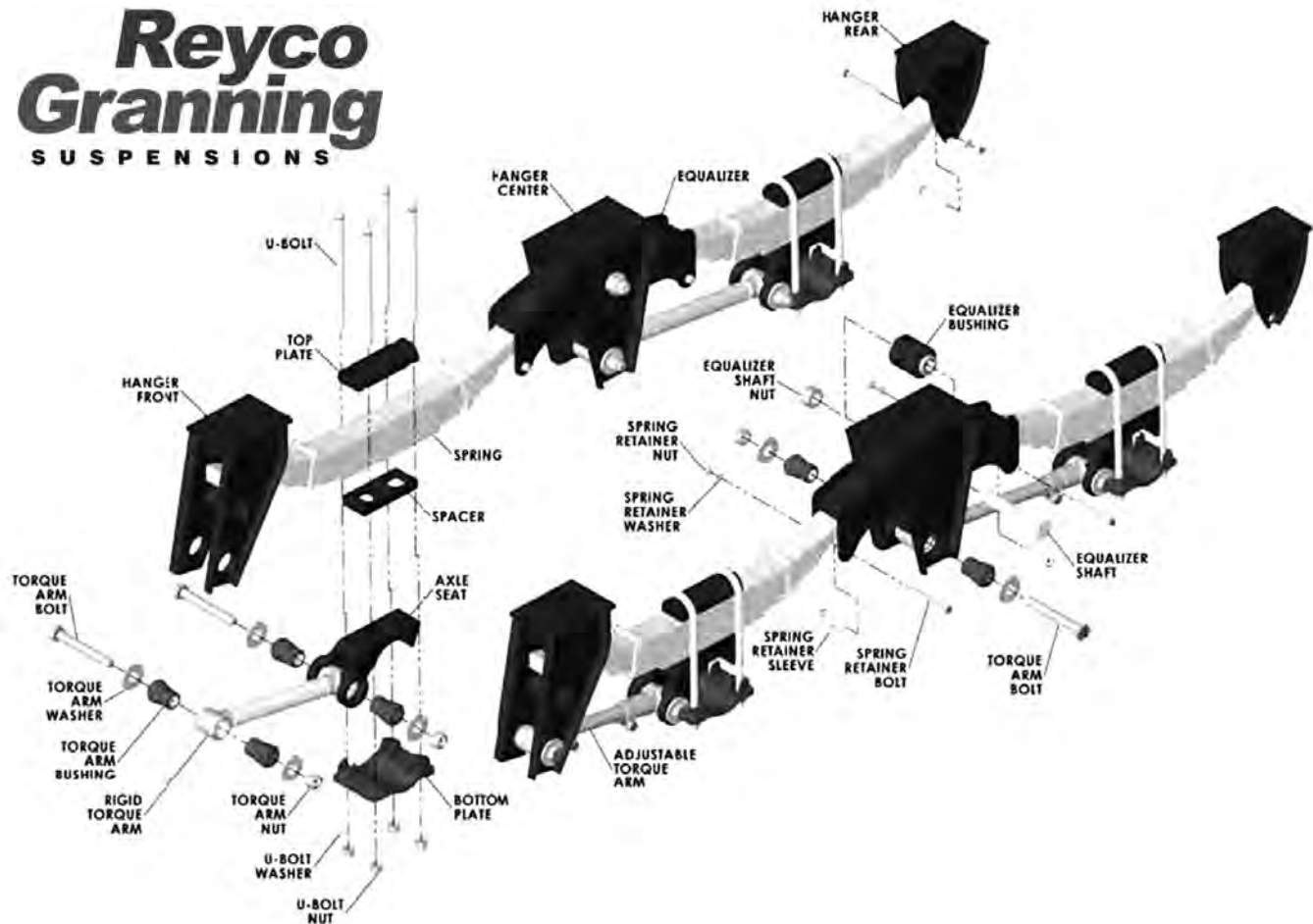
**Reyco  
Granning**  
S U S P E N S I O N S

| Part No.    | Axle Seat Kit Description |
|-------------|---------------------------|
| 1-5R-1-I-30 | 1" Seat Overslung Single  |



## REYCO MODEL 21B STEEL SPRING TRAILER SUSPENSION

**Reyco  
Granning**  
S U S P E N S I O N S

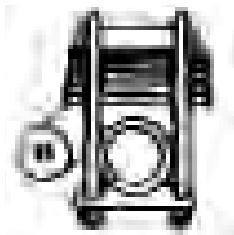


| Part No. | Description   |
|----------|---|
| 09832-01 | Front Hanger  |
| 08595-01 | Rear Hanger   |
| 14684-01 | Center Hanger                                       |
| 14689-01 | Equalizer (50" Axle Spacing)                        |
| 14682-01 | Equalizer Bushing                                   |
| 1517201  | Adjustable Torque Arm ( 16 1/4" - 50" Axle Spacing) |
| 1517301  | Adjustable Torque Arm ( 18 7/8" - 50" Axle Spacing) |
| 1517801  | Rigid Torque Arm ( 16 1/4" - 50" Axle Spacing)      |
| 1528601  | Rigid Torque Arm ( 18 7/8" - 50" Axle Spacing)      |
| 0972901  | Torque Arm Bushing                                  |
| 0867701  | Top Plate (Inverted U-bolt)                         |
| T7175    | Top Plate (Conventional U-bolt)                     |
| 0973001  | 3/4" Axle Seat (5" Round)                           |
| T7716    | 1" Spacer Block                                     |

### U-bolts Down? -

Top Plate =  
Part No. **0867701**  
Axle Seat-3/4" =  
Part No. **0973001**  
(5" Rd. Axle)

Bottom Plate =  
Part No. **0913901**  
(5" Rd. Axle)



### Hanger Kits : Front and Rear Hangers

Flange Mount Hangers:  
**Kit No. TK11224**

### Equalizer and Hanger Assemblies

Kit contains 2 assemblies.

Weld-On Hangers:

**Kit No. TK24656 (49" AC)**

Flange Mount Hangers:

**Kit No. TK24654 (49" AC)**

Weld-On Hangers:

**Kit No. TK25434 (44" AC)**

### Hardware Kit

for 49" tandems

**Kit No. TK11096**

for 44" AC tandem

**Kit No. TK10547**

### Torque Arm

Bushing Kit

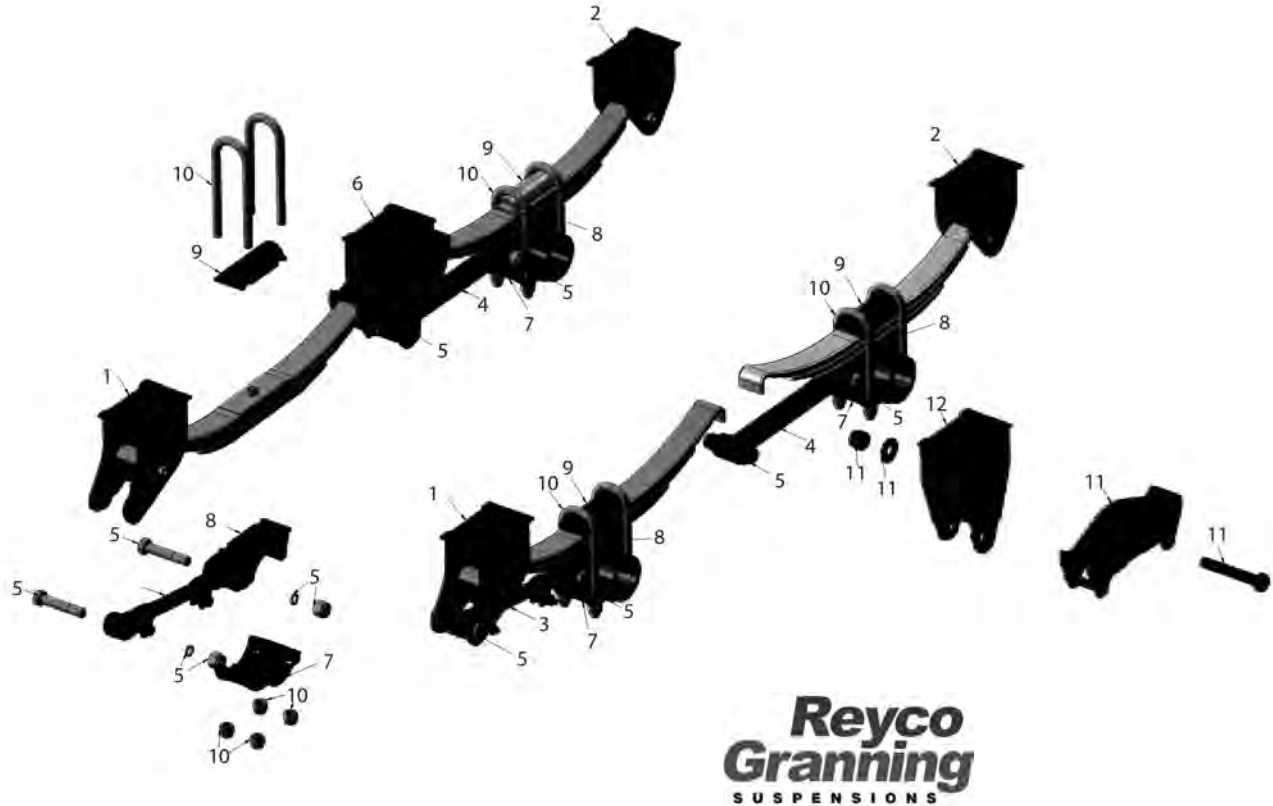
**Kit No. TK7319**

(For 4 torque arms)

**Reyco  
Granning**  
S U S P E N S I O N S



**REYCO TRANSPRO OVERSLUNG TRAILER SUSPENSION**



| Item No. | Qty as Shown | Part No.  | Description                               |
|----------|--------------|-----------|---|
| 1        | 2            | 712933-01 | Front Hanger, undermount, fabricated      |
| 2        | 2            | 712932-01 | Rear Hanger, undermount, fabricated       |
| 3        | 2            | 712938-01 | Adjustable Torque Arm with bushing        |
| 4        | 2            | 712939-01 | Rigid Torque Arm with bushing             |
| 5        | 8            | 712944-01 | Torque arm bolt assembly                  |
| 6        | 2            | 712946-01 | Equalizer Assembly                        |
| 6.1      | 1            | 712931-01 | TP Center hanger , undermount, fabricated |
| 6.2      | 1            | 712934-01 | TP Equalizer, 49", SP, fabricated         |
| 7        | 4            | 712998-01 | Axle seat assembly, 5" round              |
| 8        | 4            | 712999-01 | Bottom plate assembly                     |
| 9        | 4            | 712934-01 | Ubolt assembly                            |

**Axle Seat Kit TABLE**

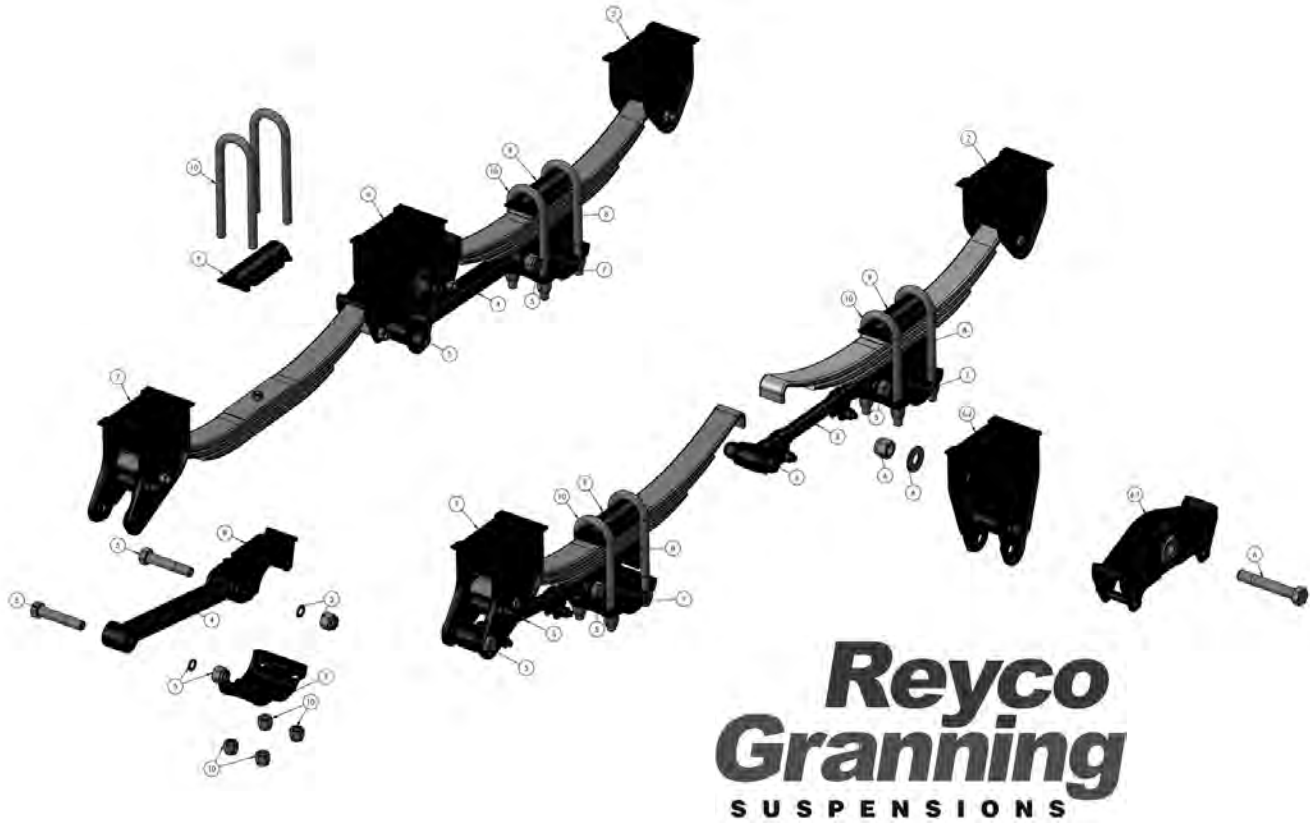
| Kit #   | Hi Arch Spring(#354-00) | Low Arch Spring(#356-00) | Axle Seat Height |
|---------|-------------------------|--------------------------|------------------|
| K712950 | 16"                     | 13 3/4"                  | 3/4"             |
| K712951 | 17"                     | 14 3/4"                  | 1 3/4"           |
| K712952 | 18"                     | 15 3/4"                  | 2 3/4"           |
| K712953 | 19"                     | 16 3/4"                  | 3 3/4"           |

Kit includes 2 top plates (8), 2 axle seats, 2 bottom plates, 4 ubolt assemblies.





**REYCO TRANSPRO UNDERSLUNG TRAILER SUSPENSION**



**Reyco  
Granning**  
S U S P E N S I O N S

| Item No. | Part No.  | Description                           |
|----------|-----------|---------------------------------------|
| 1        | 712933-01 | Front Hanger, undermount, fabricated  |
| 2        | 712932-01 | Rear Hanger, undermount, fabricated   |
| 3        | 712938-01 | Adjustable Torque Arm with bushing    |
| 4        | 712939-01 | Rigid Torque Arm with bushing         |
| 5        | 712944-01 | Torque arm bolt assembly              |
| 6        | 712946-01 | Equalizer Assembly                    |
| 6.1      | 712935-01 | Equalizer, 49", SP, fabricated        |
| 6.2      | 712931-01 | Center hanger, undermount, fabricated |
| 7        | 712935-01 | Bottom plate, 5" round axle           |
| 8        | See Table | Axle seat, 5" round axle              |
| 9        | 712937-01 | Top plate                             |
| 10       | See Table | Ubolt assembly                        |

**Axle Seat Kit TABLE - 1" SEAT (Use spring for ride height)**

| Kit #          | Hi Arch Spring<br>(# 354-00) | Medium Arch Spring<br>(# 355-00) | Low Arch Spring<br>(# 356-00) | Axle Seat Height |
|----------------|------------------------------|----------------------------------|-------------------------------|------------------|
| <b>K712905</b> | 6"                           | 4"                               | 3"                            | 3/4"             |

**Kit includes 2 bottom plates (8), 2 axle seats, 4 ubolt assemblies.**

**Ubolt Assembly TABLE**

| Ride Height. (") | Part No.         |
|------------------|------------------|
| 13-3/8" (340mm)  | <b>712947-01</b> |
| 14-3/8" (390mm)  | <b>712947-02</b> |
| 15-3/8" (415mm)  | <b>712947-03</b> |
| 16-3/8" (440mm)  | <b>712947-04</b> |



**FRUEHAUF SUSPENSION PARTS**

**Front Hanger, Undermount  
F Series Suspensions**

| Part No.   | Replaces      |
|------------|---------------|
| U-CF2467-1 | UCF002467 001 |



**Front Hanger Undermount  
Wide Base, F Series Suspensions**

| Part No.   | Replaces      |
|------------|---------------|
| U-CF1466-1 | UCF001466 001 |



**Equalizer Hanger, Undermount  
F Series Suspensions**

| Part No. | Replaces  |
|----------|-----------|
| U-XA0034 | UXA000034 |



**Equalizer Hanger, UnderMount  
Wide Base, F Series Suspensions**

| Part No.   | Application   |
|------------|---------------|
| U-CE7746-1 | UCE007746 001 |



**Rear Hanger, Undermount  
F Series Suspensions**

| Part No.   | Replaces      |
|------------|---------------|
| U-CF2470-1 | UCF002470 001 |



**Rear Hanger, UnderMount  
Wide Base, F Series Suspensions**

| Part No.   | Replaces      |
|------------|---------------|
| U-CF5858-1 | UCE005858 001 |



**Equalizer, w/bushing  
NF-2 Series Suspension**

| Part No.   | Replaces     |
|------------|--------------|
| U-CF8317-1 | UCF008317001 |



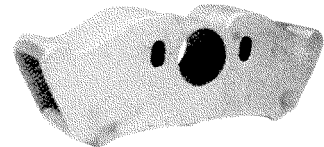
**Ductile Cast Equalizer  
F Series Suspensions**

| Part No.   | Replaces      |
|------------|---------------|
| U-CF6963-1 | UCF006963 001 |



**Cast Equalizer  
Series Suspensions**

| Part No.  | Replaces |
|-----------|----------|
| UXA000017 | -        |



**Equalizer Bolt Kit  
NF-2 Series Suspension**

| Part No.     | Replaces     |
|--------------|--------------|
| U-CF6703-901 | UCF006703901 |



**"FRUEHAUF"  
SUSPENSION PARTS**





**FRUEHAUF SUSPENSION PARTS**

**Spring Spacer - F Series Suspension**

1 1/2" High, 3" Wide, 6 1/2" Long

| Part No. | Replaces  |
|----------|-----------|
| U-XA0048 | UXA000048 |



**Axle Bracket, For 5" Rd Axle**

**F2 Series Suspensions**

| Part No. | Replaces |
|----------|----------|
| U-XA0028 | UXA00028 |



**Axle Bracket, For 5" Sq. Axle**

**F Series Suspensions**

| Part No.   | Replaces      |
|------------|---------------|
| A-XA0495-1 | AXA000495-001 |



**5" Rd Axle Seat for F2 Suspension**

| Part No.   | Replaces      |
|------------|---------------|
| A-CF8391-1 | ACF008391-001 |



**Spring Seat - F Series Suspension**

| Part No.   | Replaces      |
|------------|---------------|
| A-XA0512-1 | AXA000512-001 |



**Top Plate**

**F Series Suspensions, Multi-Leaf**

| Part No.   | Replaces     |
|------------|--------------|
| U-CE8801-1 | UCE008801001 |



**Top Plate**

**Saddle/Round ubolt, Cast**

| Part No.   | Replaces     |
|------------|--------------|
| U-CC5998-1 | UCC005998001 |



**Fixed Radius Rod - 15-7/16" C-C**

**F Series Suspensions**

| Part No.   | Replaces      |
|------------|---------------|
| U-XA0026-1 | UXA000026-001 |



**Adjustable Radius Rod**

**F Series Suspensions**

| Part No.   | Center to Center |
|------------|------------------|
| U-CF2640-1 | 15 7/16"         |
| U-CF2640-4 | 12 3/8"          |



**"FRUEHAUF"**  
SUSPENSION PARTS



## FRUEHAUF SUSPENSION PARTS

### Radius Rod Bushing Kit For Fruehauf "F" Series Suspensions

Replaces UXA000011-900

**Part No. NL3000**



### Equalizer Bushing Kit For Fruehauf "F" Series Suspensions

Replaces U-XA0004-900

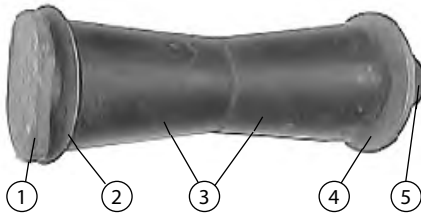
**Part No. NL3001**



### Radius Rod Bushing Kit Components F Series Suspensions

**Part No. NL3000**      **Replaces**  
U-XA0011-900

| Item | Part No.   | Description       |
|------|------------|-------------------|
| 1    | U-XA0016   | Bolt              |
| 2    | U-XA0356-1 | Washer            |
| 3    | UXA000011  | Bushing (7620-00) |
| 4    | U-XA0002   | Washer            |
| 5    | FSP 6-2-9  | Nut               |



### Equalizer Bushing For Fruehauf "F" Series Suspensions

Replaces UXA00004

**Part No. E-1020**



### Equalizer Bolt Kit For Fruehauf NF-2 Series Suspensions

Replaces UCF006703901

**Part No. U-CF6703-901**



### Radius Rod Bushing For Fruehauf "F" Series Suspensions

Replaces UXA000011

**Part No. 7620-00**



### Slider Lock Pin Kit Slider Pin Assembly

**Part No. 586191-900**      **Replaces**  
FCF006457-901



**"FRUEHAUF"**  
SUSPENSION PARTS



**TRAILMOBILE SUSPENSION PARTS**

**Equalizer (Rocker)**  
For 3-1/2" wide springs  
**Part No. 3-A66-43**  
Interchange Info: E-3383



**Bolt Kit for Trailmobile Equalizer**  
**Part No. 700-7-155**  
Interchange Info: E-3527



**Adjustable Torque Arm**  
17" C/C (15.75" to 18.25")  
**Part No. 16398-17**  
Interchange Info: E-3390



**Non-Adj Torque Arm**  
17" center to center  
**Part No. 3-A11-64**



**Torque Arm Bushing Assembly**  
3-1/2" fabricated  
**Part No. NL1448**  
Interchange Info: E-3079



**Torque Arm Bushing**  
3-1/2" fabricated  
**Part No. 722-00** Interchange Info: E-934



**GENERIC SUSPENSION PARTS**

**Equalizer (Rocker)**  
Single bolt application  
**Part No. 1063526 (Fab)**  
Interchange Info: 16158-01  
**Part No. 1063531 (Cast)**  
Interchange Info: 17784-01



**Equalizer (Rocker)**  
Two bolt application, fabricated  
**Part No. 1063532**  
Interchange Info: 750-03 / E2781A



**Equalizer (Rocker)**  
Two bolt application, cast  
**Part No. 1070401**  
Interchange Info: 19137-01



**Adjustable torque arm**  
19.25" (Adjusts 18.5" to 21")  
**Part No. 1063524**  
Interchange Info: 16398-04



**Non-Adjustable torque arm**  
19.25"  
**Part No. 1063525**  
Interchange Info: 715-00



**Torque arm Bushing Kit**  
for 21B Reyco  
**Part No. 1063538**  
Interchange Info: TK18997



**Front hanger-undermount**  
Fabricated, 9700 series app.  
**Part No. 1063533**  
Interchange Info: 20728-01



**Rocker hanger - undermount - fabricated**  
**Part No. 1063534** (7700)  
Interchange Info: 7702-02  
**Part No. 1063536** (9700)  
Interchange Info: 16171-01



**Rear Hanger-undermount-fabricated**  
**Part No. 1063535**  
Interchange Info: 20732-01

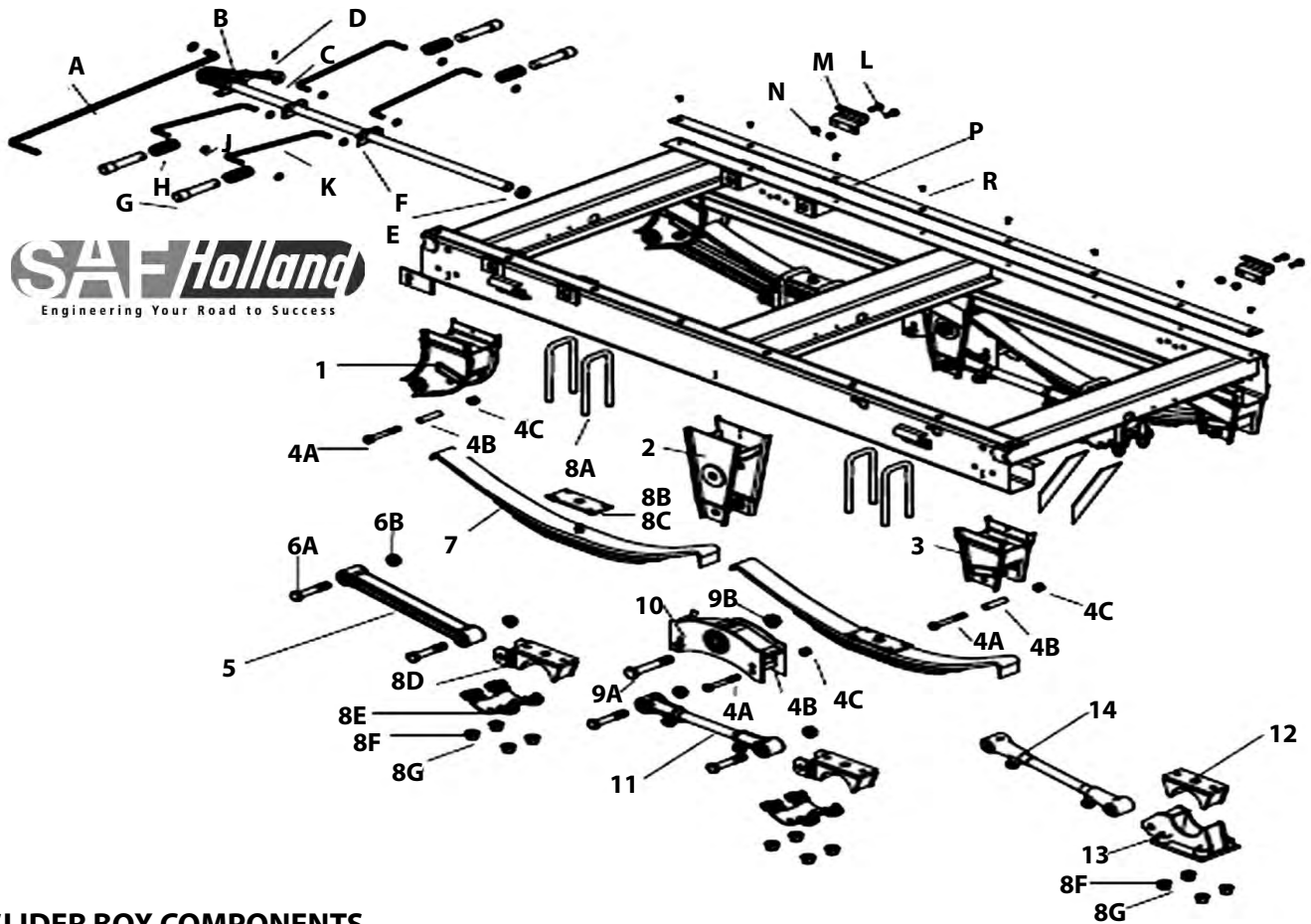


**Rocker and Hanger assembly-undermount**  
**Part No. 1063537** (Fab)





**DURALITE 2® MECHANICAL SUSPENSION PARTS**



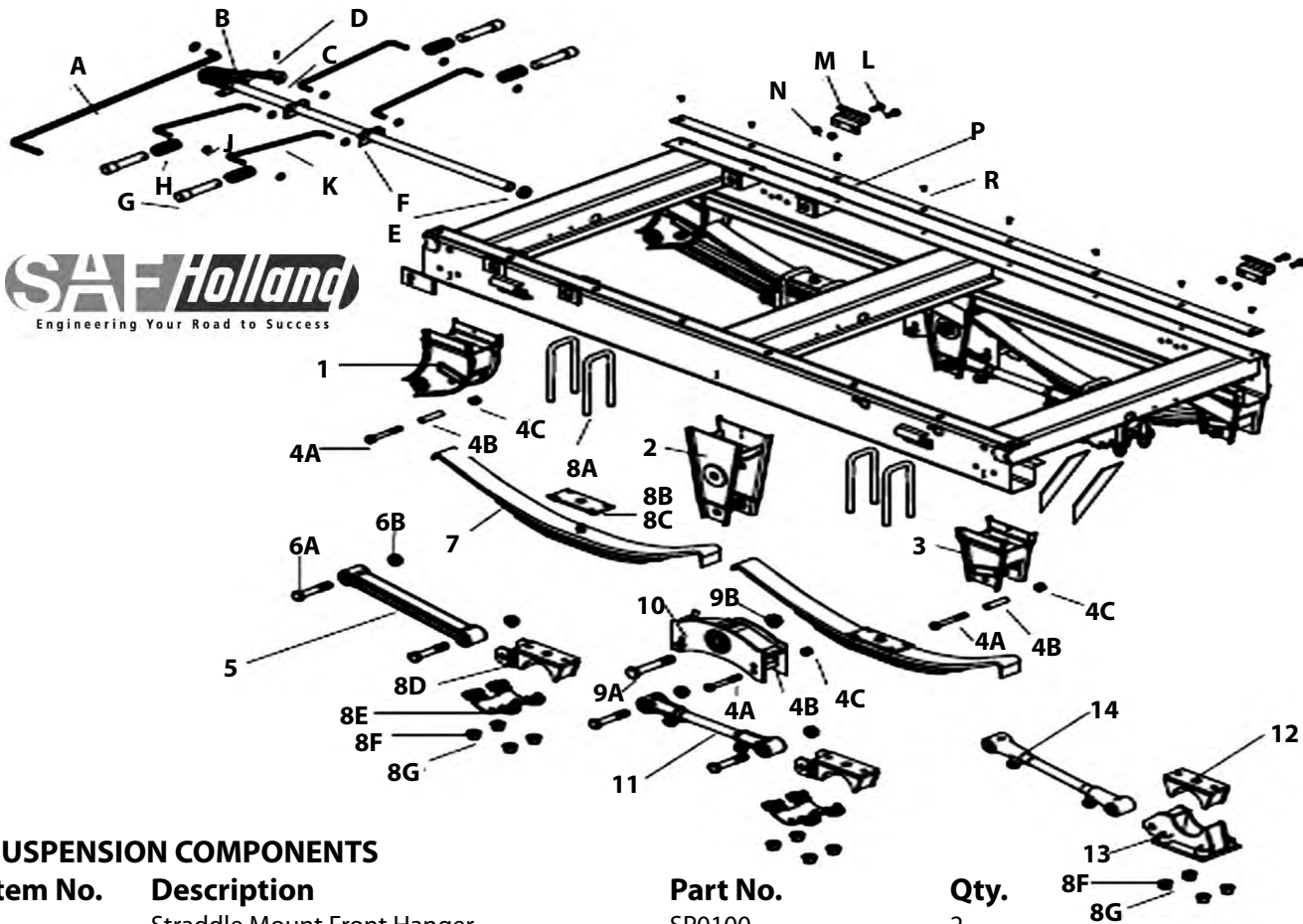
**SLIDER BOX COMPONENTS**

| Item No. | Description                            | Part No.      | Qty. |
|----------|--|---------------|------|
| A        | Pull Handle - for 42"                  | SL0A1269-02   | 1    |
|          | Pull Handle - for 48"                  | SL0A1269-01   | 1    |
| B        | Center Pin Pull Assembly               | SL0A1277-01   | 1    |
| C        | Retainer Washer                        | XB-PW-016-08  | 1    |
| D        | Cotter Pin 3/16"x1-1/2"                | XB-CTP-014-59 | 1    |
| E        | Spacer                                 | SL0523-07     | 1    |
| F        | Torsion Cam                            | SL0A1274      | 2    |
| G        | Lock Pin Hutch Style 1-5/8" dia.       | SL0A1261      | 4    |
|          | Lock Pin diameter is 1-3/8" all others | SL0A1238      | 4    |
| H        | Compression Spring                     | XB-SPG-020-35 | 4    |
| J        | Washer 1/2" (Pin Pull Rod)             | XB-PW-016-85  | 8    |
| K        | Pin Pull Rod - for 42"                 | SL0A1239-01   | 4    |
|          | Pin Pull Rod - for 48"                 | SL0A1239-02   | 4    |
|          | Pin Pull Rod - for 54"                 | SL0A1239-03   | 4    |
| L        | Bolt 1/2"-13x1-1/4"                    | XB-HHC-001-33 | 8    |
| M        | Hold Down Clip                         | 90015150      | 4    |
| N        | Lock Nut 1/2"-13                       | XB-SLN-012-42 | 8    |
| P        | Slider Pad (96" long)                  | XB-SL0A1054   | 2    |
| R        | Self Tap Screw 5/16"-18x3/4"           | XB-ST5-008-16 | 16   |

--Only items A and K have different part numbers for 42", 48", and 54" sliders.



**DURALITE 2® MECHANICAL SUSPENSION PARTS**



**SUSPENSION COMPONENTS**

| Item No. | Description                             | Part No.           | Qty. |
|----------|---|--------------------|------|
| 1        | Straddle Mount Front Hanger             | SP0100             | 2    |
| 2        | Straddle Mount Equalizer Hanger         | SP0110             | 2    |
| 3        | Straddle Mount Rear Hanger              | SP0120             | 2    |
| 4A       | Bolt 5/8"-11x4-1/2" LG GR 5             | XB-SP0050-71       | 8    |
| 4B       | Spacer, 5/8"                            | XB-SP0145          | 8    |
| 4C       | Lock Nut 5/8"-11                        | XB-0012-10         | 8    |
| 5        | Fixed Torque Arm w/bushings             | SP0143             | 2    |
| 6A       | Bolt 7/8"-14 x 4-3/4" LG GR 5           | XB-SP0050-75       | 8    |
| 6B       | Flange Lock Nut 7/8"-14                 | XB-SP0012-36       | 8    |
| 7        | Spring Assembly                         | see chart          | 4    |
| 8A       | U-Bolt 3/4" diameter                    | see chart          | 8    |
| 8A       | U-Bolt 3/4" diameter - Rear Axle        | see chart (no hop) | 4    |
| 8B       | Top Plate                               | SP0178             | 4    |
| 8C       | Liner                                   | SP0049             | 4    |
| 8D       | Spring Seat Riser                       | see chart          | 4    |
| 8E       | Bottom Plate                            | SP0099             | 4    |
| 8F       | Hardened Washer 13/16" id x 1-15/16" od | XB-SP0016-67       | 16   |
| 8G       | Hex Nut 3/4"-16 LG GR 5                 | XB-SP0011-44       | 16   |
| 9A       | Bolt 1"-14 x 6-1/16" LG GR 5            | XB-SP0050-73       | 2    |
| 9B       | Flange Lock Nut 1"-14                   | XB-SP0012-37       | 2    |
| 10       | Equalizer with Bushings                 | SP0131             | 2    |
| 11       | Adjustable Torque Arm with Bushings     | SP0123             | 2    |
| 12       | Spring Seat Riser - Rear Axle           | see chart (no hop) | 2    |
| 13       | No Hop Bottom Plate - Rear Axle         | SP0170             | 2    |
| 14       | Adjustable Torque Arm - Rear Axle       | SP0169             | 2    |

**NEW!**  
**Part No.**  
**UPSP0131KIT**  
Equalizer and Bolt Kit.  
*Consisting OF:*  
 SP0131 - 1 pc  
 10562-00 - 1 pc  
 E-4835 - 2 pcs  
 XB-SP0050-73 - 1 pc

**NEW!**  
**Part No.**  
**UPSP0143KIT**  
Torque arm and Bolt Kit.  
*Consisting OF:*  
 SP0143 - 1 pc  
 XB-SP0012-36 - 2 pcs  
 XB-SP0050-75 - 2 pcs



**DURALITE 2® MECHANICAL SUSPENSION PARTS**

**Mounting Height Table\***

| NO. | DESCRIPTION                | SPRING PART NO.            |        | SEAT HEIGHT |           |           |           |           |           |           |           |
|-----|----------------------------|----------------------------|--------|-------------|-----------|-----------|-----------|-----------|-----------|-----------|-----------|
|     |                            |                            |        | 3/4"        | 1-1/4"    | 1-3/4"    | 2-1/4"    | 2-3/4"    | 3-1/4"    | 3-3/4"    | 4-1/4"    |
| 8D  | Spring Seat Riser          |                            |        | SP0142-01   | SP0142-02 | SP0142-03 | SP0149-04 | SP0149-05 | SP0149-06 | SP0149-07 | SP0149-08 |
| 7   | Heavy-Duty, 3-Leaf Springs | SP0365<br>SP0365-01        | U-Bolt | SP0074-K    | SP0074-L  | SP0074-M  | SP0074-P  | SP0074-R  | SP0074-S  | SP0074-T  | SP0074-U  |
|     |                            |                            | Mtg.   | 15-1/2"     | 16"       | 16-1/2"   | 17"       | 17-1/2"   | 18"       | 18-1/2"   | 19"       |
|     |                            |                            | Ht.    | 13-1/4"     | 13-3/4"   | 14-1/4"   | 14-3/4"   | 15-1/4"   | 15-3/4"   | 16-1/4"   | 16-3/4"   |
| 7   | 3-Leaf Springs             | SP0354<br>SP0355<br>SP0356 | U-Bolt | SP0074-J    | SP0074-K  | SP0074-L  | SP0074-M  | SP0074-P  | SP0074-R  | SP0074-S  | SP0074-T  |
|     |                            |                            | Mtg.   | 15-1/2"     | 16"       | 16-1/2"   | 17"       | 17-1/2"   | 18"       | 18-1/2"   | 19"       |
|     |                            |                            | Ht.    | 14"         | 14-1/2"   | 15"       | 15-1/2"   | 16"       | 16-1/2"   | 17"       | 17-1/2"   |
| 7   | 2-Leaf Springs             | SP0324<br>SP0325<br>SP0326 | U-Bolt | SP0074-H    | SP0074-J  | SP0074-K  | SP0074-L  | SP0074-M  | SP0074-P  | SP0074-R  | SP0074-S  |
|     |                            |                            | Mtg.   | 15-1/2"     | 16"       | 16-1/2"   | 17"       | 17-1/2"   | 18"       | 18-1/2"   | 19"       |
|     |                            |                            | Ht.    | 14"         | 14-1/2"   | 15"       | 15-1/2"   | 16"       | 16-1/2"   | 17"       | 17-1/2"   |
| 7   | Single-Leaf Springs        | SP0360<br>SP0363           | U-Bolt | SP0074-G    | SP0074-H  | SP0074-J  | SP0074-K  | SP0074-L  | SP0074-M  | SP0074-P  | SP0074-R  |
|     |                            |                            | Mtg.   | 15-1/2"     | 16"       | 16-1/2"   | 17"       | 17-1/2"   | 18"       | 18-1/2"   | 19"       |
|     |                            |                            | Ht.    | 13-1/4"     | 13-3/4"   | 14-1/4"   | 14-3/4"   | 15-1/4"   | 15-3/4"   | 16-1/4"   | 16-3/4"   |

\* Subtract 1/2" from all mounting heights (ride heights) for single axle DuraLite® suspensions. (e.g. For a single axle suspension listing 16" as the mounting height from the above table, subtract 1/2", yielding a mounting height [or ride height] of 15-1/2".)

**No Hop - Mounting Height Table**

| NO. | DESCRIPTION               | SPRING PART NUMBER         |              | SEAT HEIGHT |           |           |           |
|-----|---------------------------|----------------------------|--------------|-------------|-----------|-----------|-----------|
|     |                           |                            |              | 3/4"        | 1-1/4"    | 1-3/4"    | 2-1/4"    |
| 8D  | Front Spring Seat Riser   |                            |              | SP0142-01   | SP0142-02 | SP0142-03 | SP0149-04 |
| 13  | Rear Spring Seat Riser    |                            |              | SP0172-01   | SP0172-02 | SP0172-03 | SP0172-04 |
| 7   | Heavy Duty 3-Leaf Springs | SP0365<br>SP0365-01        | Front U-Bolt | SP0074-K    | SP0074-L  | SP0074-M  | SP0074-P  |
|     |                           |                            | Rear U-Bolt  | SP0074-T    | SP0074-U  | SP0074-V  | SP0074-W  |
|     |                           |                            |              | 15-1/2"     | 16"       | 16-1/2"   | 17"       |
| 7   | 3-Leaf Springs            | SP0354<br>SP0355<br>SP0356 | Front U-Bolt | SP0074-J    | SP0074-K  | SP0074-L  | SP0074-M  |
|     |                           |                            | Rear U-Bolt  | SP0074-S    | SP0074-T  | SP0074-U  | SP0074-V  |
|     |                           |                            |              | 15-1/2"     | 16"       | 16-1/2"   | 17"       |
| 7   | 2-Leaf Springs            | SP0324<br>SP0325<br>SP0326 | Front U-Bolt | SP0074-H    | SP0074-J  | SP0074-K  | SP0074-L  |
|     |                           |                            | Rear U-Bolt  | SP0074-R    | SP0074-S  | SP0074-T  | SP0074-U  |
|     |                           |                            |              | 15-1/2"     | 16"       | 16-1/2"   | 17"       |
| 7   | Single-Leaf Springs       | SP0360<br>SP0363           | Front U-Bolt | SP0074-G    | SP0074-H  | SP0074-J  | SP0074-K  |
|     |                           |                            | Rear U-Bolt  | SP0074-P    | SP0074-R  | SP0074-S  | SP0074-T  |
|     |                           |                            |              | 15-1/2"     | 16"       | 16-1/2"   | 17"       |
|     |                           |                            |              | 13-1/4"     | 13-3/4"   | 14-1/4"   | 14-3/4"   |

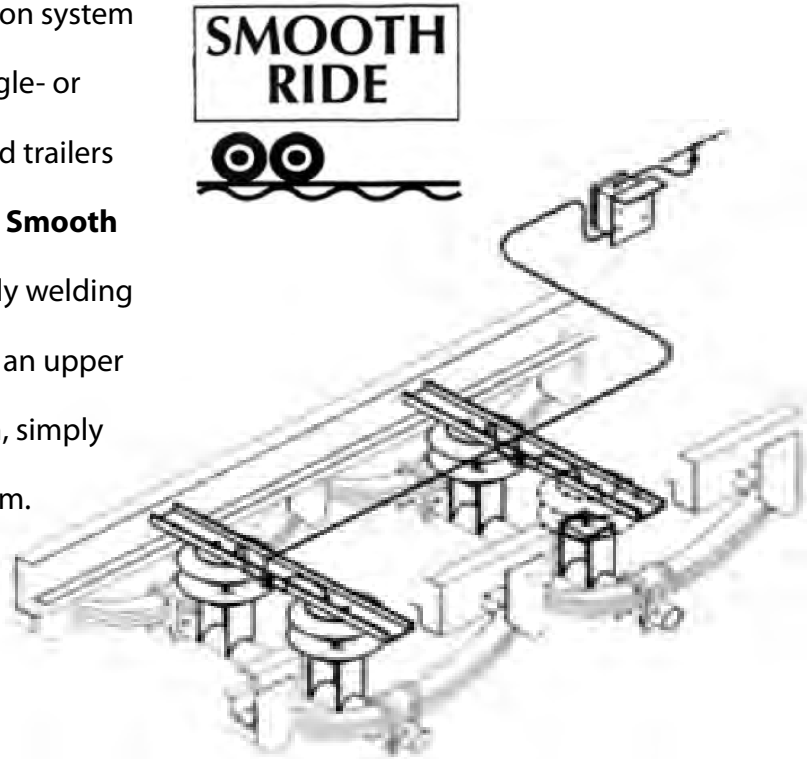




## SMOOTH RIDE SUSPENSION - ADD ON AIR

**Smooth Ride** is an add-on air suspension system designed for most 96" or 102" wide single- or tandem-axle dry vans, reefers, or flatbed trailers installed with a spring suspension. **The Smooth Ride System** is easily installed by simply welding two brackets to each axle, then adding an upper member directly above each axle. Then, simply install the air bags and air control system.

We can get you more information on the Smooth Ride System!



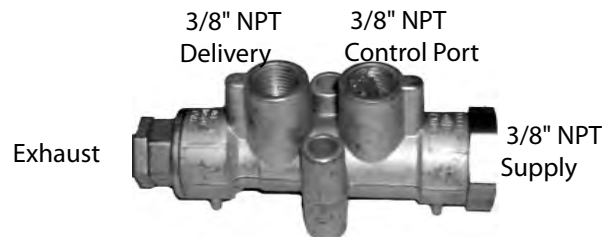
## LIFT AXLE CONTROL VALVE

Lift Axle Control Valve

### Part No. 110591

Pressurizing the lift axle air spring to lift the axle causes the 110591 to close the control port to the delivery port.

This prevents the service brakes from applying while the axle is in the up position.



*Sealco*

## SUSPENSION CONTROL VALVE - AIR BAG CONTROL VALVE

Air Bag Control Valve

### Part No. 17610 - 3/8" inlet/outlet ports.

Commonly used to control the inflation and deflation of air suspension bags.

Allows for movement of trailer back to dock without re-inflating the air bags.

Operates with all air suspension systems.

Pull to manually exhaust air from air bags.

Push to refill air bags from reservoir.



*Sealco*



## RAPID DUMP AIR SUSPENSION VALVE

### Rapid Dump Air Suspension Valve



#### Part No. 032195

Replaces Bendix TR-3, SV-1 AND Humphrey 250A N/O valves.

Pilot operated and designed specifically for rapidly lowering truck air suspension systems. Durable zinc die cast body. 4 1/8" FPT ports.

Mounts on either right or left frame rail using 1/4" mounting holes.



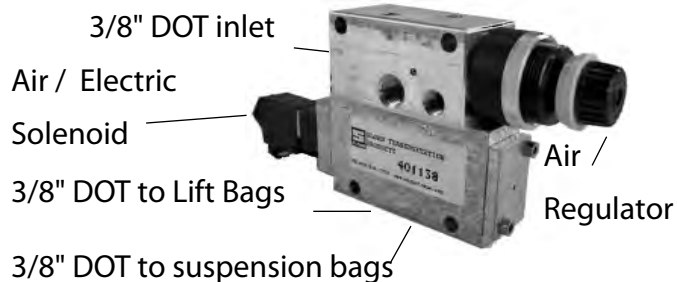
## SLOAN LIFT AXLE CONTROL MODULE

The Sloan Lift Axle Control Module is supplied ready for installation. It is designed to control the raising and lowering of a lift axle by inflating and deflating the air bags all done electronically.

The module incorporates a 4-way valve, regulator, DOT cartridge push-in fittings, automatic solenoid, and air gauge.

#### Part No. 1401140 (Axle normally up, w/gauge)

- Designed to reduce assembly time and errors current lift axle circuitries present.
- Reduces use of parts by 50% compared to current lift axle circuitries.
- Protected exhaust ports.
- DOT Cartridge push-in-fittings
- Temperature rating of -40°F to 160°F
- SAE J1128 AND IP65 compliant
- Solenoid rated for 9-16 VDC







## AIR CONTROL VALVES

### IMMEDIATE RESPONSE - Type EGP Height Control Valve

The 90555105 EGP/IR platform is a direct replacement for the 90554241.  
The 90555106 EGP/IR platform replaces 90554241 and has dump valve.

Adjusts air pressure with **no time delay** to maintain desired chassis position. Universal application - allows for RH or LH applications, horizontal or vertical installations. Can be used for truck, tractor and trailer air suspension applications, air cab, and industrial applications.

| Part No. | Dump Valve                                  | Port Size | Flow Rate | Operating Temp. | Max. Work'g Pressure |
|----------|---|-----------|-----------|-----------------|----------------------|
| 90555105 | No  | 1/4" NPT  | 10 SCFM   | -40Fto+176      | 160 PSI              |
| 90555106 | Yes   | 1/4" NPT  | 10 SCFM   | -40Fto+176      | 160 PSI              |
| 48100267 | Linkage Repair Kit for this Valve (SRK205). |           |           |                 |                      |
| 90054630 | Universal Connector for 48100267            |           |           |                 |                      |

Shown without optional dump valve



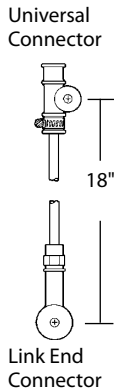
### LINKAGE COMPONENTS

#### Service Repair Kit Part No. 48100267

Linkage kit for use on Neway IR height control valve. Can be cut to required length.

#### Part No. 90054630

Universal connector for 48100267



#### Flexible Link Assembly Service repair Kit

For servicing height control valve link assemblies on air ride suspensions. Replaces link assemblies from 4.5" to 20" (one kit per valve)

#### Kit No. 48100225 (SRK168)

Kit Contains:

- 1 90006396 18.25" rod
- 1 90054516 link end
- 2 93900198 hose clamp
- 2 93900224 shoulder bolt
- 4 93900119 washer, 1/4"
- 2 93400060 1/4-20 locknut



### PRESSURE PROTECTION VALVE

Filters air and protects air supply from loss of pressure.

Installed on air reservoir

Set to 65 PSI at factory.

#### Part No. 90554107



### 3 WAY ELECTRIC SOLENOID VALVE

Three 1/4" ports. Included in air control kits for raising and lowering systems.

Valve Normally Open:

#### Part No. 90054075

Valve Normally Closed:

#### Part No. 90054074



### PILOT VALVE

Included in air control kits for raising and lowering systems.

1/8" pilot port. 1/4" all other ports

#### Part No. 90554615



### HAND VALVE

Includes mounting bracket for dash, steering column or floor mounting.

#### Part No.

#### E-4329 (90054082)





## HEIGHT CONTROL / LEVELING VALVES

### Leveling Valve

Used to maintain vehicle height on an air suspended chassis.

Made of durable EGP (Engineering Grade Plastic).

One valve can be used for left and right installation

One valve can control two suspension bellows

ALL ports 1/4" NPT

Includes a standard vertical linkage which can be cut to desired length, and an adapter plate to allow changeover from competitive models.

**Part No. KN27000**



### Height Control Valve

All ports are 1/8" NPT.

Original equipment on many Trucks and Trailers

Automatically adds air to, or exhausts air from air suspension to maintain constant static design height.

Does not respond to short duration dynamic changes in axle position, thus reducing air consumption which extends compressor life and saves fuel. **Part No. 90054007**



Top Port - Exhaust  
Middle Port - Air Spring  
Bottom Port - Supply

### Ridewell Height and Leveling Control Valve

Ridewell's high performance height control valve for trucks, trailers, buses, and recreational vehicles responds quickly to correct air pressure and return vehicle to desired ride height.

Minimal deadband. All push-to-connect fittings  
Universal mounting. Quick & accurate operation  
2-year warranty

**Part No. 6300BFAB13 - Without pressure protection**

**Part No. 6301BFAB13 - With pressure protection without dump**

**Part No. 6321BFAB13 - With pressure protection and dump**

HCV ports take push to connect fittings for 3/8" tubing.

**Part No. 1230109**



### Fleetcraft Height Control Valve

Automatically adds air to, or exhausts air from air suspension to maintain a constant static design height.

**Part No. FC54007**



**Look for Hendrickson Part No. VS227  
in the Hendrickson Valves Section**



**HEIGHT CONTROL VALVES - HADLEY**

**Hadley Height Control Valve With Integrated Dump Valve**

The 500 series is the fastest air spring fill and exhaust system available. Up to 300% faster fill and exhaust rates. Die cast body. Dump valve eliminates added on valves and associated plumbing and parts. Includes linkage.

**Part No. H00500C**

**Part No. H00500CA (Reverse Dump Valve)** 



**Hadley Standard Height Control Valve**

Many OEM Applications. Interchangeable with other makes. Mount on right or left.

**Part No. H00450CE**



**AIR VALVES - HALDEX**

**Haldex Dump Valve**

Dump Valve for CR Height Control Valve. Normally open dump valve allow air to be exhausted from the air springs when pilot pressure is applied. All ports 1/8" NPT. Fittings provided, 1/4" and 3/8".

**Part No. 90554335**

Pilot Port



Air Spring Port



**Haldex Manually Operated Valve**

Small, self-relieving manual switch. Supplies pilot pressure to dump valves, pilot valves or other basic accessories. All ports 1/8" NPT.

**90054088**



**Haldex Valve Sensor for EDL**

**Part No. 90554664**



**PRECISION RESPONSE PLUS**

**- Height Control Valves**

Non-time delay valve. Tight dead zone Provides precise adjustment to ride height variator  
 •All Ports 1/4" NPT.  
 •The PR valve's use of ceramic seal technology allows the valve to be very reliable and highly durable even in the most extreme conditions.



**Part No. 90554945**

**Part No. 90554994 w/ conversion bracket**

**Part No. 90555100 w/ height control valve**(normally closed)  
 5.5" adjustable arm, 3-port same side manifold

**Part No. 90555353 w/ height control valve**(normally open)  
 7" fixed arm, 5-port side manifold

**Part No. 90555375 w/ height control valve**(normally open)  
 7" adjustable arm, 3-port side manifold

**Part No. 90555377 w/ height control valve**(normally open)  
 7" adjustable arm, 3-port straight manifold

**AIR PRESSURE GAUGES**

**Air Pressure Gauge**

0 - 100 Pounds  
 2 1/4" Diameter Face  
 1/4" NPTF  
**Part No. 90054700**



**Air Pressure Gauges**

0 - 100 Pounds  
**Part No. HPGS100**  
 0 - 200 Pounds  
**Part No. HPGS200**

- 2 1/2" diameter stainless steel case & bezel
- Spiral bourdon tube over 600 PSI
- Built in relief valve
- Dual scale; Accuracy ± 1.6% full scale
- Deflection center 40% of scale, otherwise 2% FSD
- Standard stem is 1/4 NPT





## SAF HOLLAND AIR RIDE SUSPENSIONS



### RL SERIES

#### Top Mount Suspension

~23,000, 25,000 and 30,000 lb. capacity.

~Available in 14", 15", 16" & 17"  
ride heights.

~Used on platform, grain, bottom dumps,  
livestock and logging trailers.



### RLU SERIES

#### Underslung Suspension

~22,500, 25,000 and 30,000 lb. capacity.

~Available in 6", 6.5", 7", 8", 9", 10"  
and 12" ride heights.

~Used on moving vans, auto haulers, drop  
deck, livestock and low bed trailers.



### EZ-ALIGN™

#### The Original and Proven Non-Weld Axle Alignment Feature

Make axle adjustments in minutes from the outboard side of the trailer. It is a very simple system. No special tools or welding is needed, you just loosen the lock nut, rotate the pivot bolt to adjust the alignment and retorque the Lock Nut to 800 ft lbs. - there is no weld to replace. The EZ-ALIGN™ feature is standard for all RL/RLU Series Air Suspensions.



### STOCKING PART NUMBERS:

#### Part No. RL250-14

25,000 LB suspension. 14" ride height

#### Part No. RL250-17

25,000 LB suspension. 17" ride height

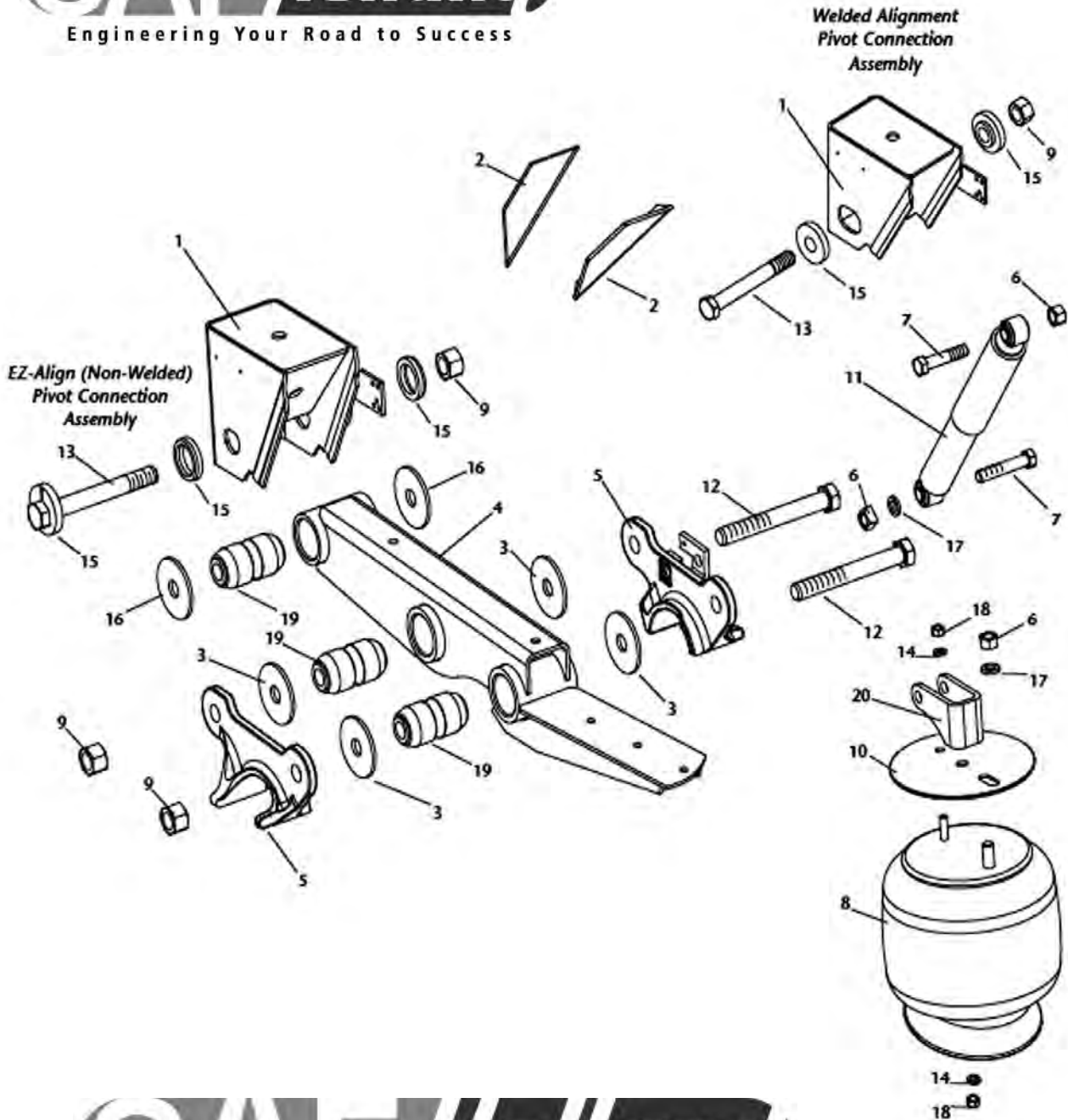
#### Part No. RLU250-9

25,000 LB suspension. 9" ride height





**SAF HOLLAND RL-230-14, -15, -16, -17 AIR SUSPENSIONS**





**SAF HOLLAND RL-230-14, -15, -16, -17 AIR SUSPENSIONS**

**RL230 STANDARD SUSPENSION PARTS LIST**

| ITEM NO. | DESCRIPTION                               | RL-230-12-3 | RL-230-14-3 | RL-230-15-3 | RL-230-16-3 | RL-230-17-3 | QTY. |
|----------|---|-------------|-------------|-------------|-------------|-------------|------|
| 1*       | Frame Bracket (roadside - EZ-Align)       | 90520859    | 90521147    | 90521148    | 90521149    | 90521149    | 1    |
|          | Frame Bracket (Welded Alignment)          | 90520846    | 90521141    | 90521142    | 90521143    | 90521143    | 1    |
| 2        | Angle Brace                               | 90025157    | 90025157    | 90025157    | 90023002    | 90023002    | 4    |
| 3        | 1-1/8" Spacer Washer                      | 90036217    | 90036217    | 90036217    | 90036217    | 90036217    | 8    |
| 4        | Equalizing Beam (roadside)                | 90516999    | 90516999    | 90516999    | 90516999    | 90516999    | 1    |
|          | Equalizing Beam (curbside)                | 90517000    | 90517000    | 90517000    | 90517000    | 90517000    | 1    |
| 5        | Axle Adapter (roadside-outboard)          | 90001341    | 90001341    | 90001341    | 90001341    | 90001341    | 1    |
|          | Axle Adapter (roadside-inboard)           | 90501462    | 90501462    | 90501462    | 90501462    | 90501462    | 1    |
| 5        | Axle Adapter (curbside-outboard)          | 90001340    | 90001340    | 90001340    | 90001340    | 90001340    | 1    |
|          | Axle Adapter (curbside-inboard)           | 90501463    | 90501463    | 90501463    | 90501463    | 90501463    | 1    |
| 6        | 3/4"-10 Hex Nut (top of air spring)       | 93400149    | 93400149    | 93400149    | 93400149    | 93400149    | 2    |
|          | 3/4"-10 Hex Nut (upper shock lock nut)    | 93400492    | 93400492    | 93400492    | 93400492    | 93400492    | 2    |
|          | 3/4"-10 Square Nut (for lower shock bolt) | 93400367    | 93400367    | 93400367    | 93400367    | 93400367    | 2    |
| 7        | 3/4"-10x3 1/2" Bolt                       | 93003597    | 93003597    | 93003597    | 93003597    | 93003597    | 2    |
|          | 3/4"-10x4" Bolt (lower shock bolt)        | 93003609    | 93003609    | 93003609    | 93003609    | 93003609    | 2    |
| 8        | Air Spring                                | 90557223    | 90557117    | 90557118    | 90557118    | 90557119    | 2    |
| 9        | 1-1/8" Lock Nut                           | 93400506    | 93400506    | 93400506    | 93400506    | 93400506    | 6    |
| 10       | Air Spring Mtg Plate (ASMP)               | 90033785    | 90033785    | 90033785    | 90033785    | 90033785    | 2    |
|          | Upper ASMP & shk Brkt (roadside)          | -           | 90531320    | 90531320    | 90531320    | -           | 1    |
|          | Upper ASMP & shk Brkt (curbside)          | -           | 90531321    | 90531321    | 90531321    | -           | 1    |
| 11       | Shock Absorber                            | 90045381    | 90044642    | 90044642    | 90044089    | 90044089    | 2    |
| 12       | 1-1/8" Bolt                               | 93201051    | 93201051    | 93201051    | 93201051    | 93201051    | 4    |
| 13       | 1-1/8" Pivot Bolt (Welded Alignment)      | 93201055    | 93201069    | 93201069    | 93201069    | 93201069    | 1    |
|          | 1-1/8" Pivot Bolt (EZ-Align)              | 90508019    | 90508019    | 90508019    | 90508019    | 90508019    | 1*   |
| 14       | 1/2" Lock Washer                          | 93600072    | 93600072    | 93600072    | 93600072    | 93600072    | 4    |
| 15       | Alignment Block (Welded Alignment)        | 90008147    | 90008198    | 90008198    | 90008198    | 90008198    | 2    |
|          | Alignment Block (EZ-Align)                | 90008238    | 90008238    | 90008238    | 90008238    | 90008238    | 1*   |
| 16       | Pivot Washer, 1.14" dia.                  | 90036177    | 90036177    | 90036177    | 90036177    | 90036177    | 4    |
| 17       | 3/4" Lock Washer                          | 93600077    | 93600077    | 93600077    | 93600077    | 93600077    | 4    |
| 18       | 1/2"-13 Nut                               | 93400136    | 93400136    | 93400136    | 93400136    | 93400136    | 4    |
| 19**     | Pivot and Axle Bushing                    | 90008149    | 90008149    | 90008149    | 90008149    | 90008149    | 6    |
| 20       | Upper Shock Bracket                       | 90018445    | 90018445    | 90018445    | 90018445    | 90018445    | 2    |

\* If both frame brackets require EZ-Align, order 2.

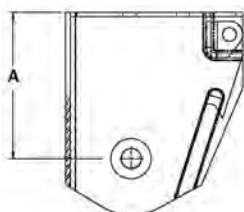
\*\* Replacement components should be purchased in bushing connection SRK kits listed below:

**Pivot Connection Kits**

| DESCRIPTION        | SRK NO. | PART NO.   | APPLICATION         |
|--------------------|---------|------------|---------------------|
| 1 EZ-Align         | SRK-525 | 481 00 389 | 1 Kit Req. per Axle |
| 1 Welded Alignment |         |            |                     |
| 2 EZ-Align         | SRK-521 | 481 00 385 | 1 Kit Req. per Axle |

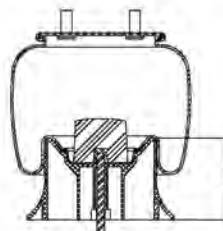
**Axle Connection Kit**

| SRK NO. | PART NO.   | APPLICATION         |
|---------|------------|---------------------|
| SRK-265 | 481.00.328 | 1 Kit Req. per Axle |



**Frame Bracket**

| "A" DIM | PART NO.   |
|---------|------------|
| 5.06"   | 905 20 859 |
| 7.06"   | 905 21 147 |
| 8.06"   | 905 21 148 |
| 10.44"  | 905 21 149 |



**Air Spring**

| "B" DIM | PART NO.   |
|---------|------------|
| 2.83"   | 905 57 223 |
| 4.75"   | 905 57 117 |
| 5.70"   | 905 57 118 |
| 7.40"   | 905 57 119 |

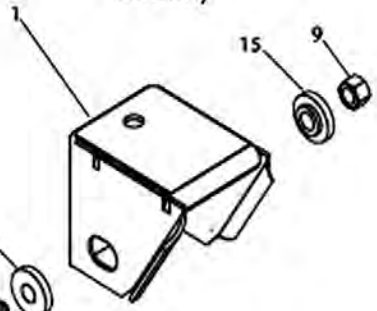




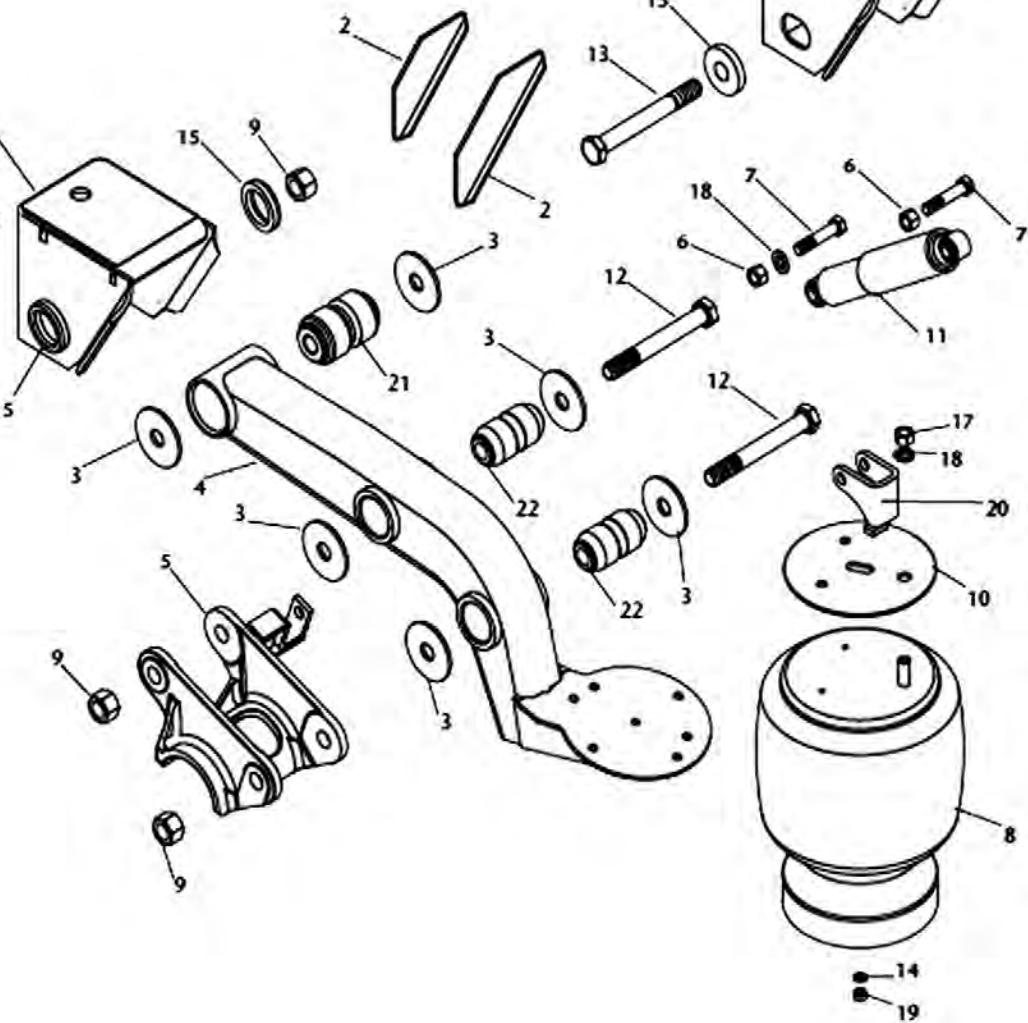
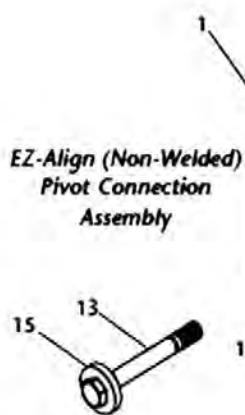
SAF HOLLAND RL250 AIR SUSPENSION



Welded Alignment  
Pivot Connection  
Assembly



EZ-Align (Non-Welded)  
Pivot Connection  
Assembly





**SAF HOLLAND RL250 AIR SUSPENSION**

| #   | Description                                 | 14"ride  | 15" ride | 16" ride | 17"ride  | Qty |
|-----|---|----------|----------|----------|----------|-----|
| 1   | Frame Bracket (roadside - EZ-Align)         | 90521151 | 90521151 | 90521152 | 90521152 | 1   |
| 1   | Frame Bracket (curbside - EZ-Align)         | 90521151 | 90521151 | 90521152 | 90521152 | 1   |
| 1   | Frame Bracket (roadside - Welded Alignment) | 90521145 | 90521145 | 90521146 | 90521146 | 1   |
| 1   | Frame Bracket (curbside - Welded Alignment) | 90521145 | 90521145 | 90521146 | 90521146 | 1   |
| 2   | Angle Brace                                 | 90023002 | 90023002 | 90023001 | 90023001 | 4   |
| 3   | 1-1/8" Spacer Washer                        | 90036177 | 90036177 | 90036177 | 90036177 | 12  |
| 4   | Equalizing Beam (roadside)                  | 90516587 | 90516587 | 90516587 | 90516587 | 1   |
|     | Equalizing Beam (curbside)                  | 90516588 | 90516588 | 90516588 | 90516588 | 1   |
| 5   | Axle Adapter (roadside)                     | 90501289 | 90501289 | 90501289 | 90501289 | 1   |
|     | Axle Adapter (curbside)                     | 90501290 | 90501290 | 90501290 | 90501290 | 1   |
| 6   | 3/4"-10 Hex Nut (upper shock lock nut)      | 93400492 | 93400492 | 93400492 | 93400492 | 2   |
|     | 3/4"-10 Square Nut (for lower shock bolt)   | 93400367 | 93400367 | 93400367 | 93400367 | 2   |
| 7   | 3/4"-10x3 1/2" Bolt                         | 93003597 | 93003597 | 93003597 | 93003597 | 2   |
|     | 3/4"-10x4" Bolt (lower shock bolt)          | 93003609 | 93003609 | 93003609 | 93003609 | 2   |
| 8   | Air Spring                                  | 90557167 | 90557167 | 90557168 | 90557168 | 2   |
| 9   | 1 1/8" Lock Nut                             | 93400506 | 93400506 | 93400506 | 93400506 | 6   |
| 10  | Air Spring Mtg Plate                        | 90033785 | 90033785 | 90033785 | 90033785 | 2   |
|     | Upper ASMP & shk Brkt (roadside)            | 90531262 | 90531262 | 90531262 | 90531262 | 1   |
|     | Upper ASMP & shk Brkt (curbside)            | 90531263 | 90531263 | 90531263 | 90531263 | 1   |
| 11  | Shock Absorber                              | 90044642 | 90044642 | 90044089 | 90044089 | 2   |
| 12  | 1-1/8" Bolt                                 | 93201051 | 93201051 | 93201051 | 93201051 | 4   |
| 13  | 1-1/8" Pivot Bolt (Welded Alignment)        | 93201069 | 93201069 | 93201069 | 93201069 | 2   |
|     | 1-1/8" Pivot Bolt (EZ-Align)                | 90508019 | 90508019 | 90508019 | 90508019 | 2   |
| 14  | 1/2" Washer                                 | 93600072 | 93600072 | 93600072 | 93600072 | 4   |
| 15  | Alignment Block (Welded Alignment)          | 90008198 | 90008198 | 90008198 | 90008198 | 2   |
|     | Alignment Block (EZ-Align)                  | 90008238 | 90008238 | 90008238 | 90008238 | 2   |
| 17  | 3/4"-10 Hex Nut (top of air spring)         | 93400149 | 93400149 | 93400149 | 93400149 | 2   |
| 18  | 3/4" Washer                                 | 93600077 | 93600077 | 93600077 | 93600077 | 4   |
| 19  | 1/2"-13 Nut                                 | 93400136 | 93400136 | 93400136 | 93400136 | 4   |
| 20  | Upper Shock Bracket                         | 90018515 | 90018515 | 90018515 | 90018515 | 2   |
| 21* | Pivot Bushing                               | 90008139 | 90008139 | 90008139 | 90008139 | 2   |
| 22* | Axle Bushing                                | 90008149 | 90008149 | 90008149 | 90008149 | 4   |

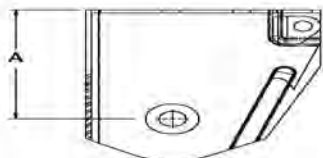
\* Replacement components can be purchased in bushing connection SRK kits listed below.

**Pivot Connection Kits**

| DESCRIPTION | SRK NO. | PART NO.   | APPLICATION         |
|-------------|---------|------------|---------------------|
| 1 EZ-Align  | SRK-519 | 481 00 383 | 1 Kit Req. per Axle |
| 2 EZ-Align  | SRK-522 | 481 00 386 | 1 Kit Req. per Axle |

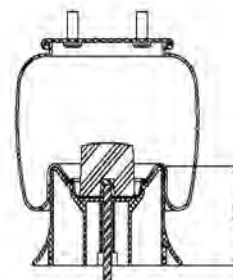
**Axle Connection Kit**

| SRK NO. | PART NO.   | APPLICATION         |
|---------|------------|---------------------|
| SRK-149 | 481 00 206 | 1 Kit Req. per Axle |



**Frame Bracket**

| "A" DIM | PART NO.   |
|---------|------------|
| 8.06"   | 905 21 151 |
| 10.44"  | 905 21 152 |



**Air Spring**

| "B" DIM | PART NO.   |
|---------|------------|
| 5.70"   | 905 57 167 |
| 7.58"   | 905 57 168 |





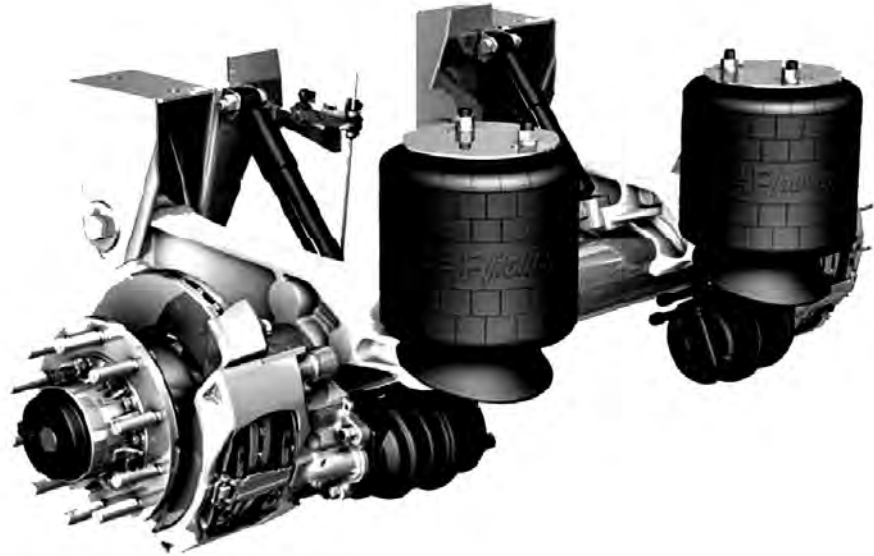
## SAF HOLLAND CBX23 / CBX25

**THE FIXED FRAME SUSPENSION SERIES THAT DELIVERS DURABILITY AND PROVEN PERFORMANCE, ALL IN A LIGHTWEIGHT SYSTEM**



### APPLICATIONS:

- Platforms
- Dumps
- Specialty Vans
- Dry Bulk
- Liquid Tankers
- Livestock
- Michigan Trains
- Dollies & Pups
- Grain Hoppers
- Forestry Trailers
- Container Chassis
- B-Trains



### FEATURES:

#### SWING ALIGN™

The industry's fastest, most convenient and least expensive axle alignment system. Requires no replacement parts or disassembly. Axle alignment is achieved by direct adjustment of the lead screw, requiring less than 250 ft. lbs. of torque.

#### MULTI-FUNCTIONAL PIVOT BUSHING

The more robust bushing with its exterior void design limits the twisting movement that could lead to premature bushing and tire wear.

#### BLACK ARMOUR™ IS STANDARD WITH ALL CBX SUSPENSIONS

The BLACK ARMOUR™ metal protection process, unlike a primer, paint or powder coating, chemically bonds with metal to form a protective skin that is impervious to water and anti-icing chemicals. BLACK ARMOUR™ is top coat compatible without pre-sanding and remains flexible to resist gravel impingement. If scraped, BLACK ARMOUR™ inhibits the spread of rust creep.

### STOCKING PART NUMBERS:

#### Part No. S17CL0079-5000

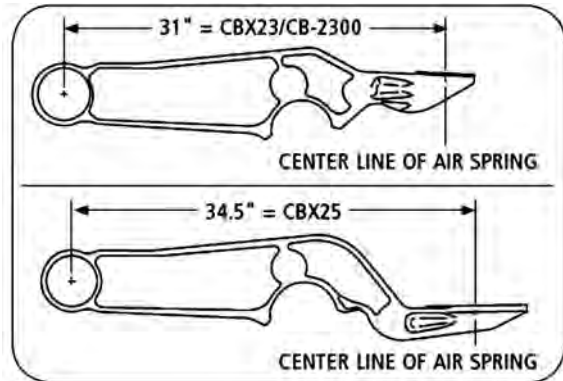
CBX23 trailer suspension, 17" ride height, set up for TN 77.5" track axle. With Shock Straps. Drum brake.

#### Part No. S17CP0103-5000

CBX23 trailer suspension, winged, 17" ride height, set up for TN 71.5" track axle. With Shock Straps. Drum brake.

**SAF HOLLAND CB2300 / CBX23 / CBX25**

If the model number on the serial tag of your suspension is not legible or the serial tag is damaged or missing, the air spring piston height can be used to identify your suspension model: Determine whether your suspension is a CBX23/CB-2300 or a CBX25 by measuring the length of the equalizing beam.----->

**SwingAlign™ Frame Bracket Replacement Kits**

14" Ride Height: **SRK-598**  
Part Number: 48100462

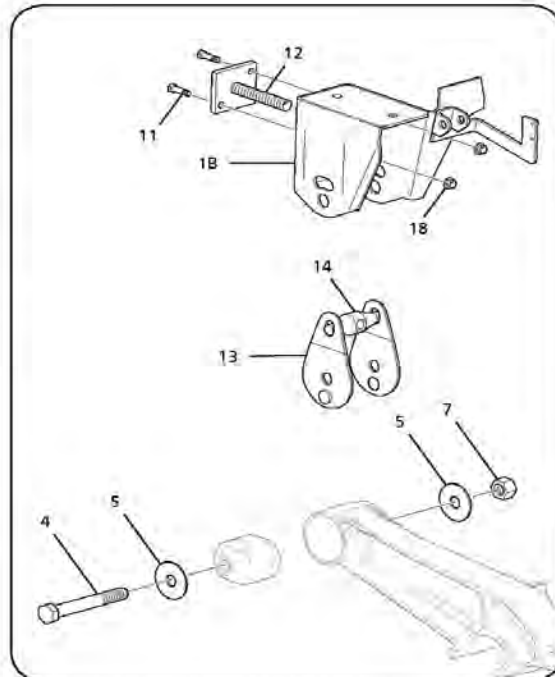
| ITEM | PART NO.      | DESCRIPTION                  | QTY. |
|------|---------------|------------------------------|------|
| 4    | 93201070      | Rod Bolt 1 1/8" - 7 x 8"     | 2    |
| 5    | 93600553      | Washer                       | 4    |
| 7    | 93400506      | Lock Nut 1 1/8" - 7          | 2    |
| 1B   | 90521823      | Frame Bracket, Roadside      | 1    |
| 12   | 90548007      | Threaded Rod Assembly        | 1    |
| 11   | XB-HHC-001-33 | Bolt, Hex 1/2" - 13 x 1 3/4" | 2    |
| 18   | 93400136      | Nut, Hex 1/2" - 13           | 2    |
| 14   | 90045491      | SwingAlign™ Yoke             | 1    |
| 13   | 90531339      | Alignment Plate              | 2    |

15" Ride Height: **SRK-600**  
Part Number: 48100464

| ITEM | PART NO.      | DESCRIPTION                  | QTY. |
|------|---------------|------------------------------|------|
| 4    | 93201070      | Rod Bolt 1 1/8" - 7 x 8"     | 2    |
| 5    | 93600553      | Washer                       | 4    |
| 7    | 93400506      | Lock Nut 1 1/8" - 7          | 2    |
| 1B   | 90521824      | Frame Bracket, Roadside      | 1    |
| 12   | 90548007      | Threaded Rod Assembly        | 1    |
| 11   | XB-HHC-001-33 | Bolt, Hex 1/2" - 13 x 1 1/4" | 2    |
| 18   | 93400136      | Nut, Hex 1/2" - 13           | 2    |
| 14   | 90045491      | SwingAlign™ Yoke             | 1    |
| 13   | 90531339      | Alignment Plate              | 2    |

16" & 17" Ride Height: **SRK-599**  
Part Number: 48100463

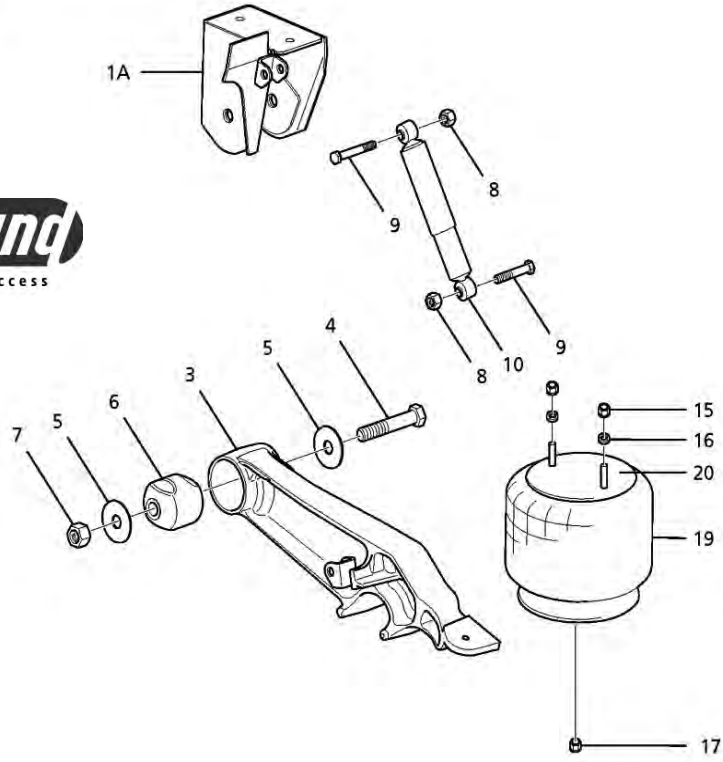
| ITEM | PART NO.      | DESCRIPTION                  | QTY. |
|------|---------------|------------------------------|------|
| 4    | 93201070      | Rod Bolt 1 1/8" - 7 x 8"     | 2    |
| 5    | 93600553      | Washer                       | 4    |
| 7    | 93400506      | Lock Nut 1 1/8" - 7          | 2    |
| 1B   | 90521825      | Frame Bracket, Roadside      | 1    |
| 12   | 90548007      | Threaded Rod Assembly        | 1    |
| 11   | XB-HHC-001-33 | Bolt, Hex 1/2" - 13 x 1 3/4" | 2    |
| 18   | 93400136      | Nut, Hex 1/2" - 13           | 2    |
| 14   | 90045491      | SwingAlign™ Yoke             | 1    |
| 13   | 90531339      | Alignment Plate              | 2    |



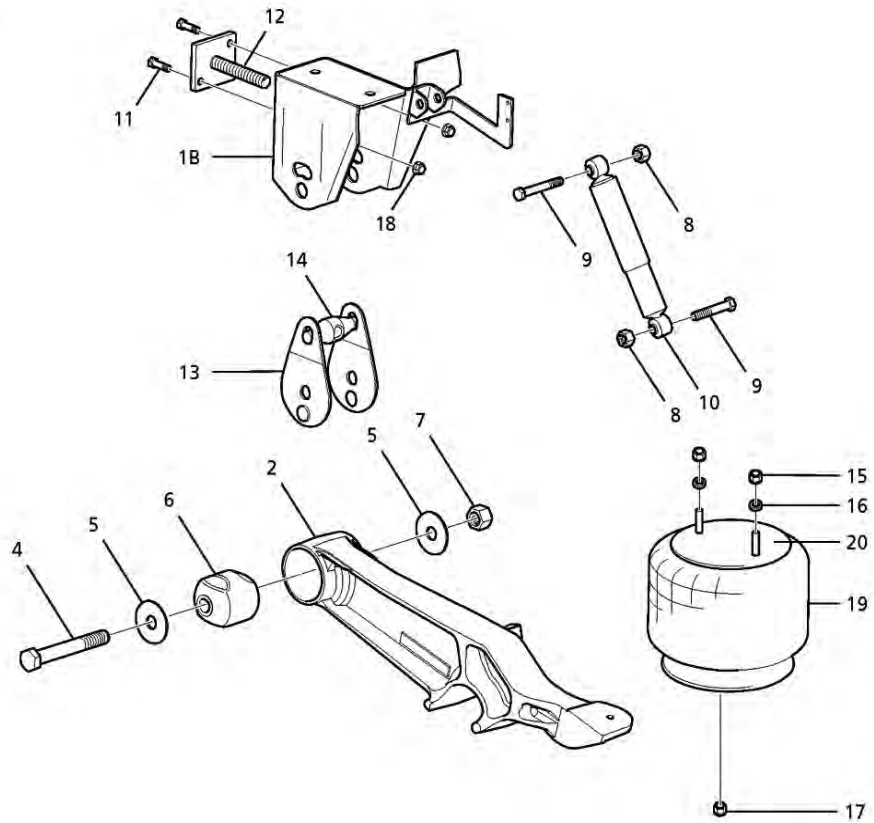


**SAF HOLLAND CB2300 / CBX23 / CBX25**

**Curb Side Components**



**Road Side Components**





**SAF HOLLAND CB2300 / CBX23 / CBX25**

**CB-2300 & CBX23 Parts List**

| ITEM | DESCRIPTION                                      | CB2300-14<br>CBX23-14 | CB2300-15<br>CBX23-15 | CB2300-16<br>CBX23-16 | CB2300-17<br>CBX23-17 | QTY. |
|------|--|-----------------------|-----------------------|-----------------------|-----------------------|------|
| 1A*† | Frame Bracket (Welded) - with integral brace     | 48100465              | 48100466              | 48100467              | 48100467              | 1    |
| 1B*† | Frame Bracket (SwingAlign) - with integral brace | 48100462              | 48100464              | 48100463              | 48100463              | 1    |
| 2    | Equalizing Beam LH (roadside - bushed beam only) | Not Available         | Not Available         | Not Available         | Not Available         | -    |
| 3    | Equalizing Beam RH (curbside - bushed beam only) | Not Available         | Not Available         | Not Available         | Not Available         | -    |
| 4*   | Pivot Bolt 1 1/8"-7 x 8.0" LG GR 8               | 93201070              | 93201070              | 93201070              | 93201070              | 2    |
| 5*   | Pivot Connection Washer                          | 93600553              | 93600553              | 93600553              | 93600553              | 4    |
| 6*   | Bushing  | 90008247              | 90008247              | 90008247              | 90008247              | 2    |
| 7*   | Hex Lock Nut 1 1/8"-7                            | 93400506              | 93400506              | 93400506              | 93400506              | 2    |
| 8    | Hex Lock Nut 3/4"-10                             | 93400492              | 93400492              | 93400492              | 93400492              | 4    |
| 9    | Hex Bolt 3/4"-10 x 3.50" GR 5                    | 93006035              | 93006035              | 93006035              | 93006035              | 4    |
| 10†  | Shock Absorber                                   | 90044868              | 90045381              | 90045298              | 90045298              | 2    |
| 11   | Hex Bolt 1/2"-13 x 1 3/4"                        | XB-HHC-001-33         | XB-HHC-001-33         | XB-HHC-001-33         | XB-HHC-001-33         | 2    |
| 12   | Threaded Rod Assembly                            | 90548007              | 90548007              | 90548007              | 90548007              | 1    |
| 13   | Alignment Plate                                  | 90531339              | 90531339              | 90531339              | 90531339              | 2    |
| 14   | SwingAlign Yoke                                  | 90045491              | 90045491              | 90045491              | 90045491              | 1    |
| 15   | Hex Lock Nut 3/4"-16                             | 93400149              | 93400149              | 93400149              | 93400149              | 4    |
| 16   | Washer 3/4"                                      | 93600077              | 93600077              | 93600077              | 93600077              | 4    |
| 17   | Flange Nut 1/2"-13                               | 93400623              | 93400623              | 93400623              | 93400623              | 2    |
| 18   | Hex Nut - 1/2" -13                               | 93400136              | 93400136              | 93400136              | 93400136              | 2    |
| 19   | Air Spring                                       | 90557330              | 90557331              | 90557332              | 90557332              | 2    |
| 20   | Plate, Mounting, Air Spring                      | 90034247              | 90034247              | 90034247              | 90034247              | 2    |

**CB-2300 & CBX23 Parts List**

| ITEM | DESCRIPTION                                      | CBX25-14      | CBX25-15      | CBX25-16      | CBX25-17      | QTY. |
|------|--|---------------|---------------|---------------|---------------|------|
| 1A*† | Frame Bracket (Welded) - with integral brace     | 48100465      | 48100466      | 48100467      | 48100467      | 1    |
| 1B*† | Frame Bracket (SwingAlign) - with integral brace | 48100462      | 48100464      | 48100463      | 48100463      | 1    |
| 2    | Equalizing Beam LH (roadside - bushed beam only) | Not Available | Not Available | Not Available | Not Available | -    |
| 3    | Equalizing Beam RH (curbside - bushed beam only) | Not Available | Not Available | Not Available | Not Available | -    |
| 4*   | Pivot Bolt 1 1/8"-7 x 8.0" LG GR 8               | 93201070      | 93201070      | 93201070      | 93201070      | 2    |
| 5*   | Pivot Connection Washer                          | 93600553      | 93600553      | 93600553      | 93600553      | 4    |
| 6*   | Bushing  | 90008247      | 90008247      | 90008247      | 90008247      | 2    |
| 7*   | Hex Lock Nut 1 1/8"-7                            | 93400506      | 93400506      | 93400506      | 93400506      | 2    |
| 8    | Hex Lock Nut 3/4"-10                             | 93400492      | 93400492      | 93400492      | 93400492      | 4    |
| 9    | Hex Bolt 3/4"-10 x 3.50" GR 5                    | 93006035      | 93006035      | 93006035      | 93006035      | 4    |
| 10†  | Shock Absorber                                   | 90045607      | 90045608      | 90045040      | 90045040      | 2    |
| 11   | Hex Bolt 1/2"-13 x 1 3/4"                        | XB-HHC-001-33 | XB-HHC-001-33 | XB-HHC-001-33 | XB-HHC-001-33 | 2    |
| 12   | Threaded Rod Assembly                            | 90548007      | 90548007      | 90548007      | 90548007      | 1    |
| 13   | Alignment Plate                                  | 90531339      | 90531339      | 90531339      | 90531339      | 2    |
| 14   | SwingAlign Yoke                                  | 90045491      | 90045491      | 90045491      | 90045491      | 1    |
| 15   | Hex Lock Nut 3/4"-16                             | 93400149      | 93400149      | 93400149      | 93400149      | 4    |
| 16   | Washer 3/4"                                      | 93600077      | 93600077      | 93600077      | 93600077      | 4    |
| 17   | Flange Nut 1/2"-13                               | 93400623      | 93400623      | 93400623      | 93400623      | 2    |
| 18   | Hex Nut - 1/2" -13                               | 93400136      | 93400136      | 93400136      | 93400136      | 2    |
| 19   | Air Spring                                       | 90557376      | 90557376      | 90557377      | 90557377      | 2    |
| 20   | Plate, Mounting, Air Spring                      | 90034247      | 90034247      | 90034247      | 90034247      | 2    |





## SAF HOLLAND CB2300 / CBX23 / CBX25

### Fixed Frame Bracket Replacement Kits

14" Ride Height:  
Part Number: 48100465

SRK-601

| ITEM | PART NO. | DESCRIPTION              | QTY. |
|------|----------|--------------------------|------|
| 4    | 93201070 | Rod Bolt 1 1/8" - 7 x 8" | 2    |
| 5    | 93600553 | Washer                   | 4    |
| 1A   | 90521826 | Frame Bracket, Curbside  | 1    |
| 7    | 93400506 | Lock Nut 1 1/8" - 7"     | 2    |

15" Ride Height:  
Part Number: 48100466

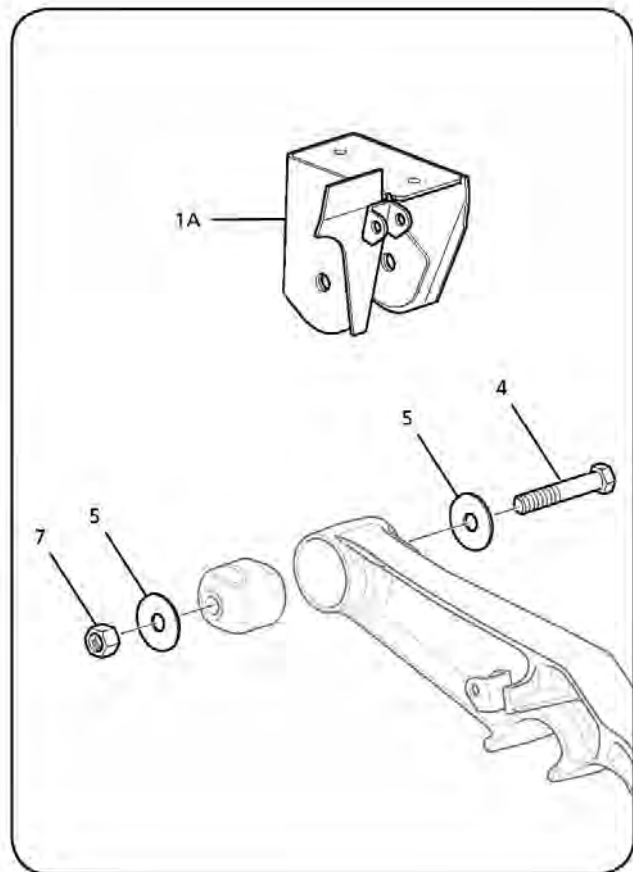
SRK-602

| ITEM | PART NO. | DESCRIPTION              | QTY. |
|------|----------|--------------------------|------|
| 4    | 93201070 | Rod Bolt 1 1/8" - 7 x 8" | 2    |
| 5    | 93600553 | Washer                   | 4    |
| 1A   | 90521827 | Frame Bracket, Curbside  | 1    |
| 7    | 93400506 | Lock Nut 1 1/8" - 7"     | 2    |

16" & 17" Ride Height:  
Part Number: 48100467

SRK-603

| ITEM | PART NO. | DESCRIPTION              | QTY. |
|------|----------|--------------------------|------|
| 4    | 93201070 | Rod Bolt 1 1/8" - 7 x 8" | 2    |
| 5    | 93600553 | Washer                   | 4    |
| 1A   | 90521828 | Frame Bracket, Curbside  | 1    |
| 7    | 93400506 | Lock Nut 1 1/8" - 7"     | 2    |





## SAF HOLLAND CB2300 / CBX23 / CBX25

### Service Repair Kits

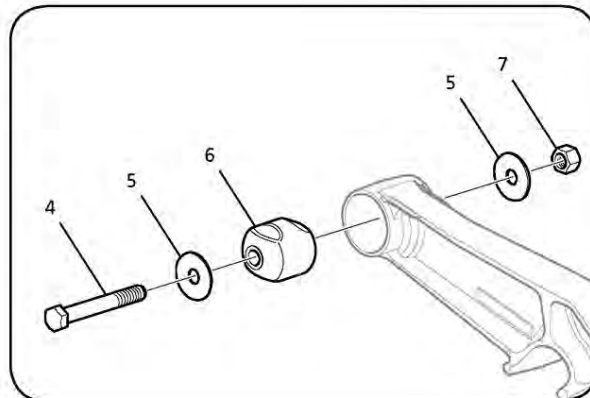


#### Pivot Connection Replacement Kit

Part Number: 48100394

SRK-530

| ITEM | PART NO. | DESCRIPTION              | QTY. |
|------|----------|--------------------------|------|
| 4    | 93201070 | Rod Bolt 1 1/8" - 7 x 8" | 2    |
| 6    | 90008247 | Rubber Bushing           | 2    |
| 7    | 93400506 | Lock Nut 1 1/8" - 7      | 2    |
| 5    | 93600553 | Washer                   | 4    |

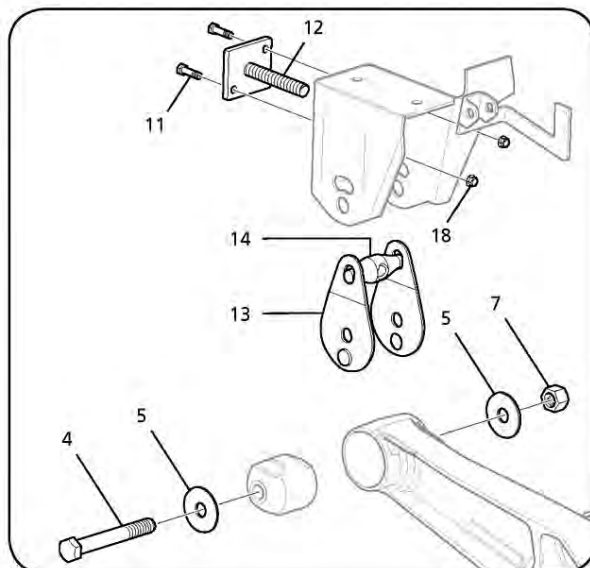


#### SwingAlign™ Replacement Kit

Part Number: 48100406

SRK-542

| ITEM | PART NO.      | DESCRIPTION                  | QTY. |
|------|---------------|------------------------------|------|
| 4    | 93201070      | Rod Bolt 1 1/8" - 7 x 8"     | 2    |
| 5    | 93600553      | Washer                       | 4    |
| 7    | 93400506      | Lock Nut 1 1/8" - 7          | 2    |
| 12   | 90548007      | Threaded Rod Assembly        | 1    |
| 11   | XB-HHC-001-33 | Bolt, Hex 1/2" - 13 x 1 3/4" | 2    |
| 18   | 93400136      | Nut, Hex 1/2" - 13           | 2    |
| 14   | 90045491      | SwingAlign™ Yoke             | 1    |
| 13   | 90531339      | Alignment Plate              | 2    |

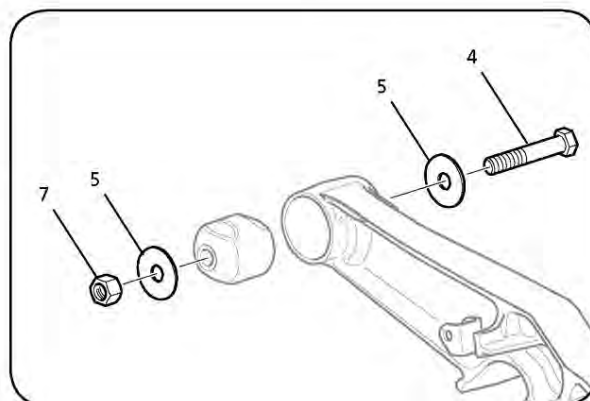


#### Pivot Connection Service Repair Kit

Part Number: 48100471

SRK-607

| ITEM | PART NO. | DESCRIPTION                     | QTY. |
|------|----------|---------------------------------|------|
| 4    | 93201070 | Pivot Bolt 1 1/8" - 7 x 8" Gr 8 | 2    |
| 7    | 93400506 | Hex Lock Nut 1 1/8" - 7 Gr C    | 2    |
| 5    | 93600553 | Washer                          | 4    |





## SAF HOLLAND TRAILER AIR SUSPENSION LIFT/LOWER KITS

### CBL "Center Bag Lift" Kits

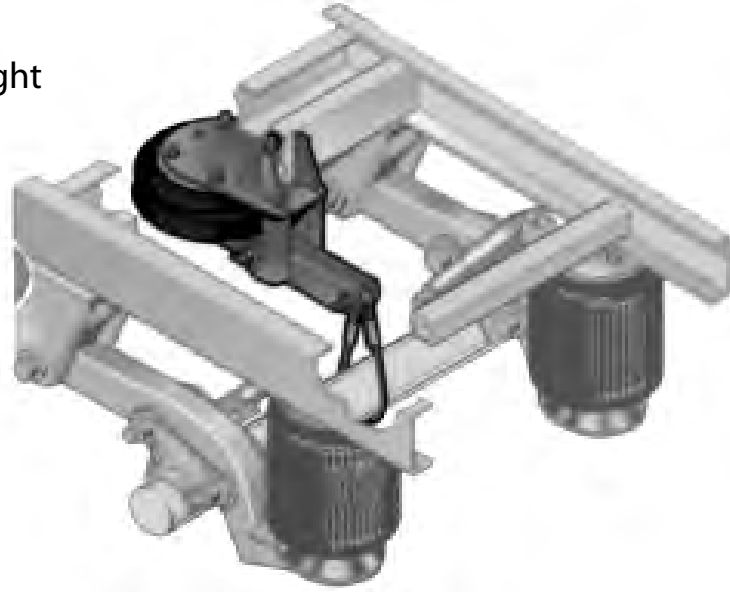
Available for most RL Series Suspensions.

- Easy Installation makes it the right choice for ease in lifting.
- It can also be retrofitted to existing RL series suspensions.
- It mounts below the frame for tight clearance applications.
- Light Weight
- Low Maintenance
- Durable Design

#### Order by Ride Height

**Part No. CBL 14/15**

**Part No. CBL 16/17**



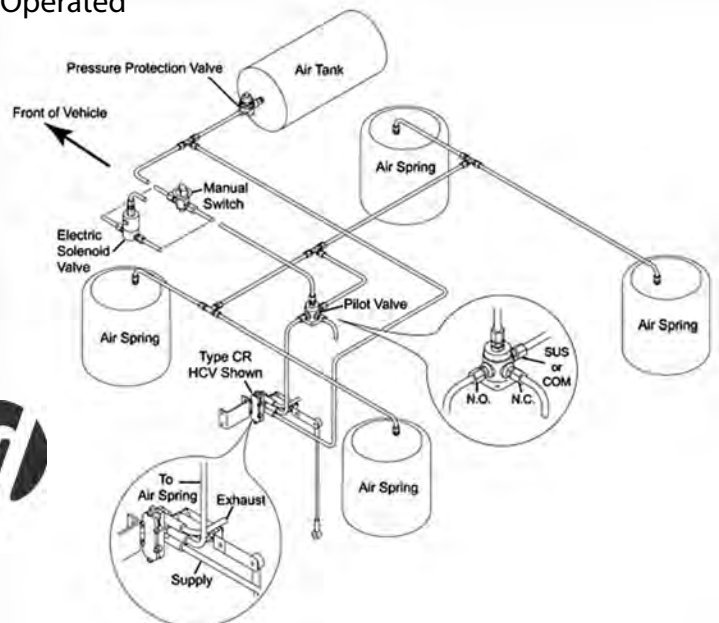
#### AIR CONTROL KIT PARTS LIST

**Manual Air Control Kit for LOWERING ONLY:**

**Part No. 42100026 (AC-78-M-1)**

| ITEM | PART NO. | QTY. | DESCRIPTION              |
|------|----------|------|--------------------------|
| 1    | 90054088 | 1    | Valve, Manually Operated |
| 2    | 90554615 | 1    | Pilot Valve              |

SRK kits not available, use component parts.





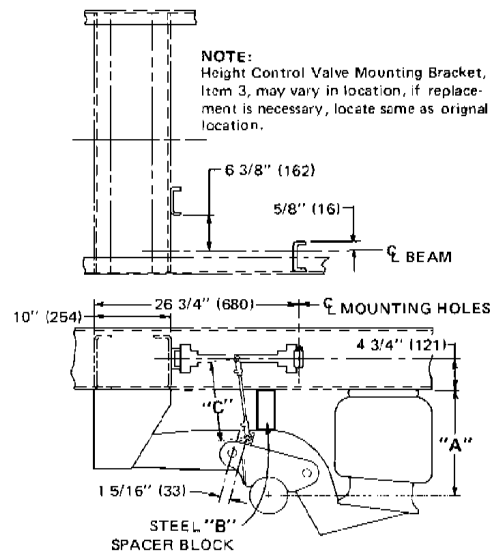
## SAF HOLLAND TRAILER AIR SUSPENSION AIR CONTROL KIT

### 42110042 (AC-6100)

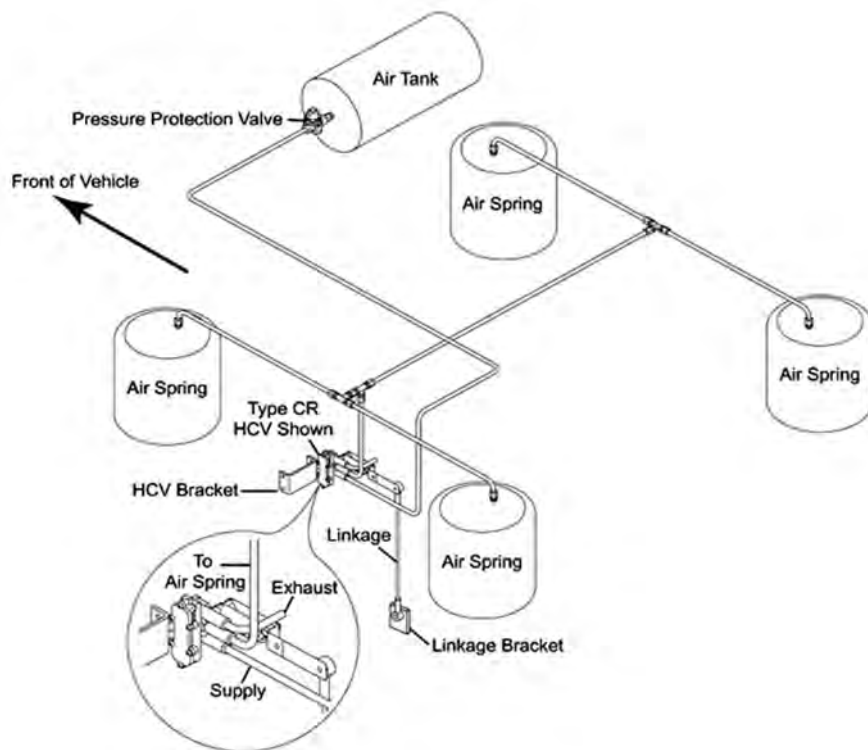
For Air Ride Suspensions

With a Single Height Control Valve System

| AC-6100 AIR CONTROL PARTS LIST |          |  |            |
|--------------------------------|----------|--|------------|
| ITEM NO.                       | PART NO. | DESCRIPTION                                  | QTY. REQ'D |
| 1                              | 90054007 | Height Control Valve                         | 1          |
| 2                              | 90554107 | Air Pressure Protection Valve & Filter       | 1          |
| 3                              | 90024792 | Mounting Bracket                             | 1          |
| 4                              | 48100224 | SRK-67 Kit (Adj. Link Ass'y)                 | 1          |
| 5                              | 93002349 | Cap Screw $\frac{1}{4}$ "-20 x $\frac{3}{4}$ | 2          |
| 6                              | 93400060 | Lock Nut $\frac{1}{4}$ "-20                  | 2          |
| 7                              | 90054038 | Axle Bracket                                 | 1          |
| 8                              | 94100119 | Decal (Operating)                            | 1          |
| 9                              | 94100466 | Height Control Valve Instructions            | 1          |



AIR PRESSURE PROTECTION VALVE & FILTER MAINTAINS SAFE AIR BRAKE PRESSURE & CLEANS AIR. SET TO 65 P.S.I. AT FACTORY. LOCATE VALVE ON AIR RESERVOIR.



**NOTE:**  
ON TANDEM MODELS USE  $\frac{3}{8}$ " MIN. TUBING BETWEEN AIR SPRINGS. FOR SINGLE AXLE APPLICATION OMIT TEE AND PIPE DIRECT.

**NOTE: ALL AIR LINES MUST BE PROTECTED AND SUPPORTED WHEN PASSING THRU FRAME MEMBER**

Locate Height Control Valves on: Rear axle of tandem, Center axle of multiple axles. Do not locate on lift axles. Call for special applications.





## SERVICE REPAIR KITS



### Part No. 48100033

**SRK-36**

For servicing 5" Rd. axle and trunnion connections on Neway RTS series suspensions.

| Components | Description             | Qty. |
|------------|-------------------------|------|
| 91008014   | Rubber Trunnion Bushing | 2    |
| 91028010   | Rubber Wrapper          | 2    |
| 91028023   | Lower Rubber Pad        | 4    |
| 93003575   | Cap Screw               | 16   |
| 93400492   | Lock Nut                | 16   |
| 93600156   | Washer                  | 32   |

### Part No. 48100108

**SRK-64**

For servicing 5" Dia. axle connections on Neway AR series underslung trailer and ART series truck/tractor air suspensions.

| Components | Description        | Qty. |
|------------|--------------------|------|
| 90028047   | Rubber Wrapper     | 2    |
| 90028083   | Rubber Pad         | 2    |
| 90041878   | U-Bolt             | 4    |
| 93400502   | Lock Nut           | 8    |
| 93600028   | Flat Square Washer | 8    |
| 93900027   | Washer             | 8    |

### Part No. 48100110

**SRK-66**

For servicing 5" Dia. axle connections on Neway AR120/125 and ART500/505/555 air suspensions.

| Components | Description        | Qty. |
|------------|--------------------|------|
| 90028047   | Rubber Wrapper     | 2    |
| 90028083   | Rubber Pad         | 2    |
| 90042791   | U-Bolt             | 4    |
| 93400502   | Lock Nut           | 8    |
| 93600028   | Flat Square Washer | 8    |
| 93900027   | Washer             | 8    |

### Part No. 48100144

**SRK-96**

For Neway AR-III series trailer air suspensions and ART series truck/tractor air suspensions.

| Components | Description                   | Qty. |
|------------|-------------------------------|------|
| 90031785   | End Plate                     | 2    |
| 90044218   | Yoke Grommet                  | 2    |
| 90044572   | Half Washer                   | 2    |
| 90044574   | Lower Cam Bearing Spacer Seal | 4    |
| 90044576   | Lower Cam Bearing Inner Seal  | 2    |
| 90544661   | Lower Cam Pin                 | 2    |
| 90544670   | Cam Assembly                  | 2    |
| 93400494   | Lock Nut                      | 2    |
| 93900151   | Lock Nut                      | 2    |

### Part No. 48100202

**SRK-145**

For servicing pivot connections on Neway trailer and truck/tractor air ride suspensions.

| Components | Description    | Qty. |
|------------|----------------|------|
| 90008139   | Rubber Bushing | 2    |
| 90036177   | Spacer Washer  | 4    |
| 93201055   | Rod Bolt       | 2    |
| 93400506   | Lock Nut       | 2    |

### Part No. 48100206

**SRK-149**

For servicing 5" Dia. axle connections on Neway AR-90 series air suspensions.

| Components | Description    | Qty. |
|------------|----------------|------|
| 90008149   | Rubber Bushing | 4    |
| 90036175   | Wear Washer    | 8    |
| 90036177   | Spacer Washer  | 8    |
| 93201051   | Hex Bolt       | 4    |
| 93400506   | Lock Nut       | 4    |

### Part No. 48100215

**SRK-158**

Coil spring lift kit.

| Components | Description                   | Qty. |
|------------|-------------------------------|------|
| 90036161   | Spacer Washer                 | 2    |
| 90044218   | Yoke Grommet                  | 2    |
| 90044574   | Lower Cam Bearing Spacer Seal | 4    |
| 90044576   | Lower Cam Bearing Inner Seal  | 2    |
| 90044776   | Yoke Grommet                  | 2    |
| 90544661   | Lower Cam Pin                 | 2    |
| 90544670   | Cam Assembly                  | 2    |
| 93400494   | Lock Nut                      | 2    |
| 93600508   | Washer                        | 2    |
| 93900195   | Lock Nut                      | 2    |

### Part No. 48100216

**SRK-159**

Coil spring lift kit.

| Components | Description    | Qty. |
|------------|----------------|------|
| 50506001   | Rod Bolt       | 1    |
| 50544002   | Fixture Plate  | 1    |
| 90044776   | Yoke Grommet   | 1    |
| 90044777   | Bracket        | 4    |
| 90057034   | Conical Spring | 1    |
| 90544800   | Spring Cup     | 1    |
| 90544802   | Tube Assembly  | 1    |
| 93002577   | Cap Screw      | 4    |
| 93400128   | Nut            | 4    |
| 93400604   | Nut            | 1    |
| 93600156   | Washer         | 1    |
| 93600508   | Washer         | 1    |
| 93900195   | Lock Nut       | 1    |



## SERVICE REPAIR KITS

**Part No. 48100225**

SRK-168

For servicing height control valve link assemblies on air ride suspensions with automatic air control kits.

| Components | Description                        | Qty. |
|------------|------------------------------------|------|
| 90006396   | 18.25" Rod                         | 1    |
| 90054516   | Link End - also stocked separately | 2    |
| 93400060   | Lock Nut                           | 2    |
| 93600522   | Washer                             | 4    |
| 93900198   | Hose Clamp                         | 2    |
| 93900224   | Shoulder Bolt                      | 2    |

**Part No. 48100230**

SRK-173

Coil spring replacement.

| Components | Description    | Qty. |
|------------|----------------|------|
| 50506001   | Rod Bolt       | 1    |
| 50544002   | Fixture Plate  | 1    |
| 90044776   | Yoke Grommet   | 1    |
| 90057034   | Conical Spring | 1    |
| 90544800   | Spring Cup     | 1    |
| 93002577   | Cap Screw      | 4    |
| 93400128   | Nut            | 4    |
| 93400604   | Nut            | 1    |
| 93600156   | Washer         | 1    |
| 93600508   | Washer         | 1    |
| 93900195   | Lock Nut       | 1    |

**Part No. 48100250**

SRK-173-1

Coil spring replacement.

| Components | Description    | Qty. |
|------------|----------------|------|
| 90044776   | Yoke Grommet   | 1    |
| 90057034   | Conical Spring | 1    |
| 90544800   | Spring Cup     | 1    |
| 93002577   | Cap Screw      | 4    |
| 93400128   | Nut            | 4    |
| 93600508   | Washer         | 1    |
| 93900195   | Lock Nut       | 1    |

**Part No. 48100264**

SRK-203

For servicing pivot connections on Neway RL 196 and RL228 suspensions.

| Components | Description    | Qty. |
|------------|----------------|------|
| 90008149   | Rubber Bushing | 2    |
| 90036177   | Spacer Washer  | 4    |
| 93201055   | Rod Bolt       | 2    |
| 93400506   | Lock Nut       | 2    |

**Part No. 48100267**

SRK-205

Link Repair Kit, 13-1/2" maximum. (Picture Below)

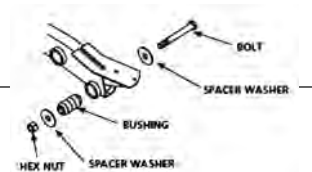
| Components | Description                         | Qty. |
|------------|-------------------------------------|------|
| 90054630   | Link end - also stocked separately. | 1    |
| 90054634   | 14" rod                             | 1    |
| 90054635   | Link rod                            | 1    |
| 90054636   | Link end                            | 1    |
| 90054670   | Link end                            | 1    |
| 93400124   | Hex nut                             | 1    |
| 93400468   | Lock nut                            | 1    |
| 93600522   | Flat washer                         | 2    |
| 93800070   | Cotter pin                          | 2    |
| 93900198   | Hose clamp                          | 3    |

**Part No. 48100320**

SRK-457

Axle Connection Kit. NS400/450

| Components    | Qty. |
|---------------|------|
| Bolt          | 1    |
| Spacer Washer | 2    |
| Bushing       | 1    |
| Hex Nut       | 1    |

**Part No. 48100329**

SRK-266

Pivot replacement kit. RL228 newer style

| Components | Description                | Qty. |
|------------|----------------------------|------|
| 93201069   | Bolt Hex 1.12"-7x8.5" GR 8 | 1    |
| 93400506   | Nut Hex Lock 1.125"-7 GR C | 2    |
| 90008149   | Bushing                    | 2    |
| 90036177   | Flat Washer 1.141"         | 4    |
| 90508019   | Alignment Block            | 1    |
| 90008238   | Alignment Block Non Weld   | 1    |
| 90008198   | Alignment Bushing          | 2    |
| XL-AR453   | Literature Instructions    | 1    |

**Part No. 48100383**

SRK-519

Pivot replacement kit. RLU Suspension

| Components | Description                           | Qty. |
|------------|---------------------------------------|------|
| 93201069   | Bolt Hex 1.12"-7x8.5" GR 8            | 1    |
| 93400506   | Nut Hex Lock 1.125"-7 GR C            | 2    |
| 90008139   | Bushing                               | 2    |
| 90036177   | Flat Washer 1.141"                    | 4    |
| 90508019   | Alignment Block                       | 1    |
| 90008238   | Alignment Block Non Weld              | 1    |
| XL-AR354   | Welded axle align/EA-Align Axle align | 1    |
| XL-AR355   | Decal. Torque Specifications          | 1    |



## SERVICE REPAIR KITS



### Part No. 48100385

SRK-521

Pivot replacement kit

| Components | Description                | Qty. |
|------------|----------------------------|------|
| 90008149   | Bushing                    | 2    |
| 90036177   | Flat Washer 1.141"         | 4    |
| 90508019   | Alignment Block            | 2    |
| 90008238   | Alignment Block Non Weld   | 2    |
| 93400506   | Nut Hex Lock 1.125"-7 GR C | 2    |

### Part No. 48100389

SRK-525

Pivot replacement kit

| Components | Description                | Qty. |
|------------|----------------------------|------|
| 93201069   | Bolt Hex 1.12"-7x8.5" GR 8 | 1    |
| 93400506   | Nut Hex Lock 1.125"-7 GR C | 2    |
| 90008149   | Bushing                    | 2    |
| 90036177   | Flat Washer 1.141"         | 4    |
| 90508019   | Alignment Block            | 1    |
| 90008238   | Alignment Block Non Weld   | 1    |
| XL-AR453   | Literature Instructions    | 1    |
| XL-AR355   | Decal Torque Specification | 1    |

### Part No. 48100394

SRK-530

Pivot replacement kit - CB400/4000 , CBX40

| Components | Description            | Qty. |
|------------|------------------------|------|
| 93201070   | Rod Bolt 1-1/8 "-7 x 8 | 2    |
| 90008247   | Rubber Bushing         | 2    |
| 93400506   | Lock Nut 1-1/8" - 7    | 2    |
| 93600553   | Washer                 | 4    |

### Part No. 48100395

SRK-531

SwingAlign™ Frame Bracket replacement kit - CB400/4000 , CBX40

| Components    | Description                | Qty. |
|---------------|----------------------------|------|
| 93201070      | Rod Bolt 1-1/8 "-7 x 8     | 2    |
| 93600553      | Washer                     | 4    |
| 93400506      | Lock Nut 1-1/8" - 7        | 2    |
| 90521742      | Frame Bracket Roadside     | 1    |
| 90548007      | Threaded Rod Assembly      | 1    |
| XB-HHC-001-33 | Bolt, Hex 1/2"-13 x 1-3/4" | 2    |
| 93600072      | Washer, Lock 1/2"          | 2    |
| 93400136      | Nut, Hex 1/2"-13           | 2    |
| 90045491      | SwignAlign™ Yoke           | 1    |
| 90531339      | Alignment Plate            | 2    |

### Part No. 48100396

SRK-532

Fixed frame bracket replacement kit - CB400/4000 , CBX40

| Components | Description            | Qty. |
|------------|------------------------|------|
| 93201070   | Rod Bolt 1-1/8 "-7 x 8 | 2    |
| 93600553   | Washer                 | 4    |
| 90521743   | Frame Bracket Curbside | 1    |
| 93400506   | Lock Nut 1-1/8" - 7    | 2    |

### Part No. 48100406

SRK-542

SwingAlign™ replacement kit CBX23, CBX25, CB2300

| Components    | Description                | Qty. |
|---------------|----------------------------|------|
| 93201070      | Rod Bolt 1-1/8" - 7 x 8"   | 2    |
| 9360553       | Washer                     | 4    |
| 93400506      | Lock Nut 1-1/8" - 7        | 2    |
| 90548007      | Threaded Rod Assembly      | 1    |
| XB-HHC-001-33 | Bolt, Hex 1/2"-13 x 1-3/4" | 2    |
| 93400136      | Nut, Hex 1/2" - 13         | 2    |
| 90045491      | SwingAlign™ Yoke           | 1    |
| 90531339      | Alignment Plate            | 2    |

### Part No. 48100427

SRK-563

Pivot replacement kit - Heavy Duty AD-130 Series

| Components  | Description                           | Qty. |
|-------------|---------------------------------------|------|
| 93201055    | Rod Bolt 1-1/8 "-7 x 9.53"            | 2    |
| 93400506    | Lock Nut 1-1/8" - 7                   | 2    |
| 90008252    | Bushing                               | 2    |
| 93600502    | Spacer Washer - 1-1/8"                | 4    |
| 93600174    | Washer, Flat Narrow 1.12" (Hardended) | 4    |
| XL-AK399-01 | Torque Specification Decal            | 1    |
| XL-AK424    | AD Service Repair Kit Literature      | 1    |

### Part No. 48100449

SRK-585

Roadside Equalizing Beam replacement kit - CB400/4000 , CBX40

| Components | Description                        | Qty. |
|------------|------------------------------------|------|
| 90548008   | Equalizing Beam, Roadside (LH)     | 1    |
| 93201070   | Pivot Bolt 1-1/8" - 7 x 8" Grade 8 | 2    |
| 93600553   | Washer                             | 4    |
| 93400506   | Lock Nut 1-1/8" - 7                | 2    |
| XL-AR368   | Literature Kit, Maintenance Manual | 1    |
| XL-AR369   | Literature Kit, Parts Manual       | 1    |

### Part No. 48100450

SRK-586

Curbside Equalizing Beam replacement kit - CB400/4000 , CBX40

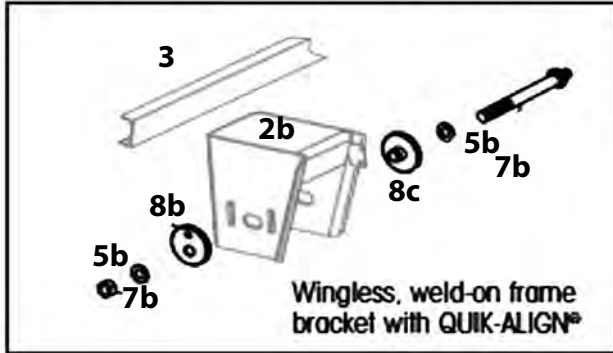
| Components | Description                        | Qty. |
|------------|------------------------------------|------|
| 90548009   | Equalizing Beam, Curbside (RH)     | 1    |
| 93201070   | Pivot Bolt 1-1/8" - 7 x 8" Grade 8 | 2    |
| 93600553   | Washer                             | 4    |
| 93400506   | Lock Nut 1-1/8" - 7                | 2    |
| XL-AR368   | Literature Kit, Maintenance Manual | 1    |
| XL-AR369   | Literature Kit, Parts Manual       | 1    |



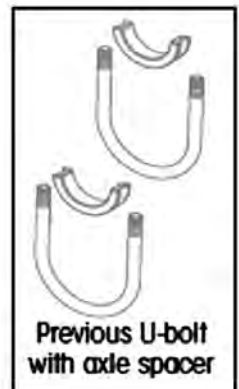
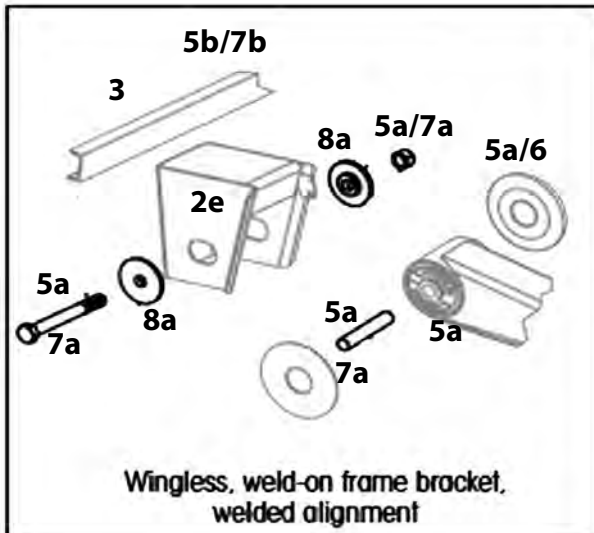
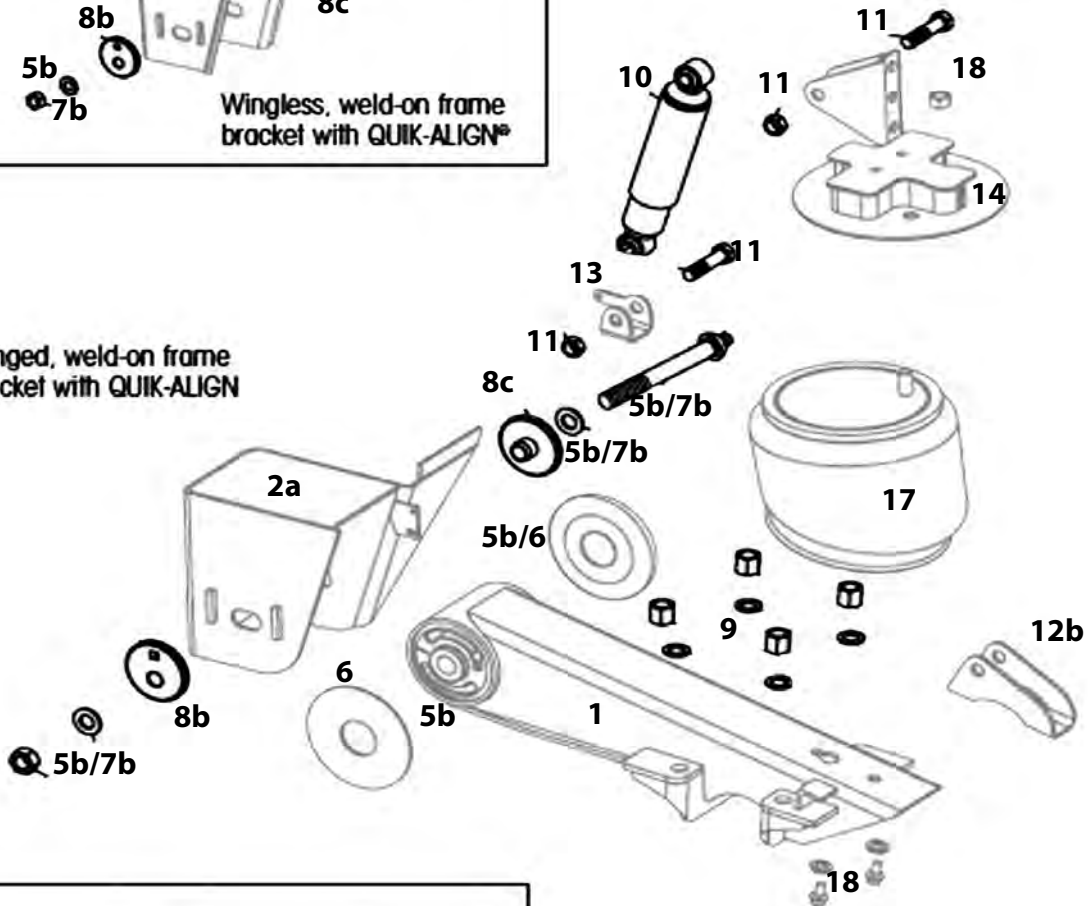
# HENDRICKSON HT230TA-14-001 SUSPENSION



Picture shown may not resemble all models.



Winged, weld-on frame bracket with QUIK-ALIGN





## HENDRICKSON HT230TA-14-001 SUSPENSION

| Item              | Part No.              | DESCRIPTION  | QTY |
|-------------------|-----------------------|--|-----|
| 1                 | S21736-1/S21736-2     | Beam Assembly - Roadside -1, Curbside -2                             | 1   |
| 2a                | S21179-1/S21179-2     | Frame Bracket-Winged, Weld-on Roadside-1, Curbside-2                 | 1   |
| 2b                | S21590-1/S21590-2     | Frame Bracket-Wingless, Weld-on Quik Align® Roadside-1, Curbside-2   | 1   |
| 2c (no pic)       | ---- / ----           | Frame Bracket-Winged, Bolt-on Quik Align® Roadside-1, Curbside-2     | 1   |
| 2d                | --- / ---             | Frame Bracket-Wingless, Bolt-on Quik Align® Roadside-1, Curbside-2   | 1   |
| 2e                | S20064-1/S20064-2     | Frame Bracket-Wingless, Weld-on Welded Align® Roadside-1, Curbside-2 | 1   |
| 3                 | A-1631-19             | Frame Bracket C Channel  | 1   |
| 4 (no pic)        | S27330                | Frame Bracket Gusset   | 2   |
| 5a                | S6914 (Welded)        | Tri-Functional® Bushing Kit  | 2   |
| 5b                | S24691 (Quick-Align)  | Tri-Functional® Bushing Kit  | 2   |
| 6                 | S21099                | Bushing Tube Spacer  | 4   |
| 7a                | S3646 (Welded)        | Pivot Bolt Kit   | 2   |
| 7b                | S24679 (Quick-Align®) | Pivot Bolt Kit   | 2   |
| 8a                | S2770 (Welded)        | Alignment collar   | 4   |
| 8b                | S20925 (Quick-Align®) | Alignment collar (Outer) Eccentric, alignment hole is off center     | 2   |
| 8c                | S20924 (Quick-Align®) | Alignment collar (Inner) Conventric, alignment hole is centered      | 2   |
| 9                 | S21140/4              | Ubolt Kit  | 4   |
| 10                | S20002                | Shock Absorber   | 2   |
| 11                | S20031/2              | Shock Absorber Bolt Kit  | 2   |
| 12 (no pic)       | ---                   | Remote Shock Mount   | 2   |
| 13                | S20069                | Lower Shock Clevis   | 2   |
| 14                | S20011-1 / S20011-2   | Air Spring Shock Mount - Roadside -1, Curbside -2                    | 2   |
| 15                | ----                  | Air Spring Spacer  | 2   |
| 16                | ---                   | Upper shock bracket  | 2   |
| 17                | S20010                | Air Spring   | 2   |
| 18                | S20033/2              | Air Spring mounting kit  | 2   |
| 19 (no pic)       | --                    | Air Spring   | 2   |
| <b>Not Shown:</b> |                       |  |     |
| 20                | VS227                 | Height control Valve   | 1   |
| 21                | S14187                | Linkage  | 1   |
| 22                | VS23460               | Auto Dump Valve  | 1   |
| 23                | VS1128                | Pressure Protection Valve  | 1   |

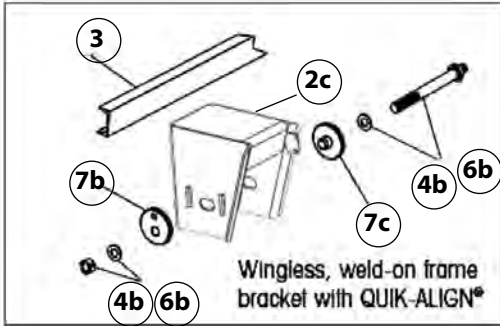



  
*The World Rides On Us™*

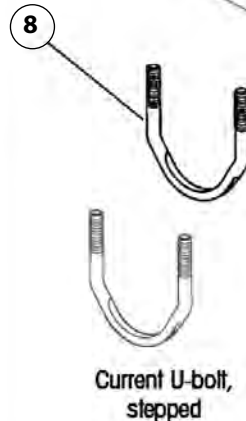
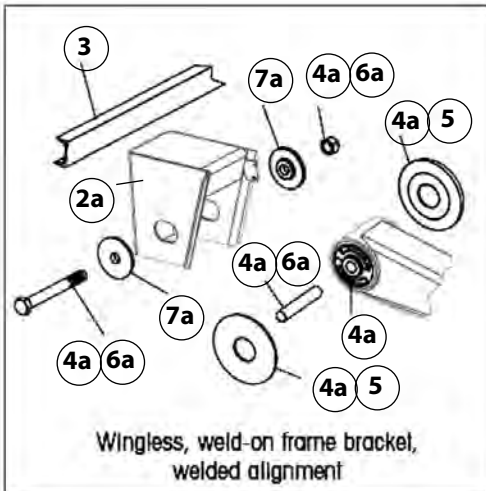
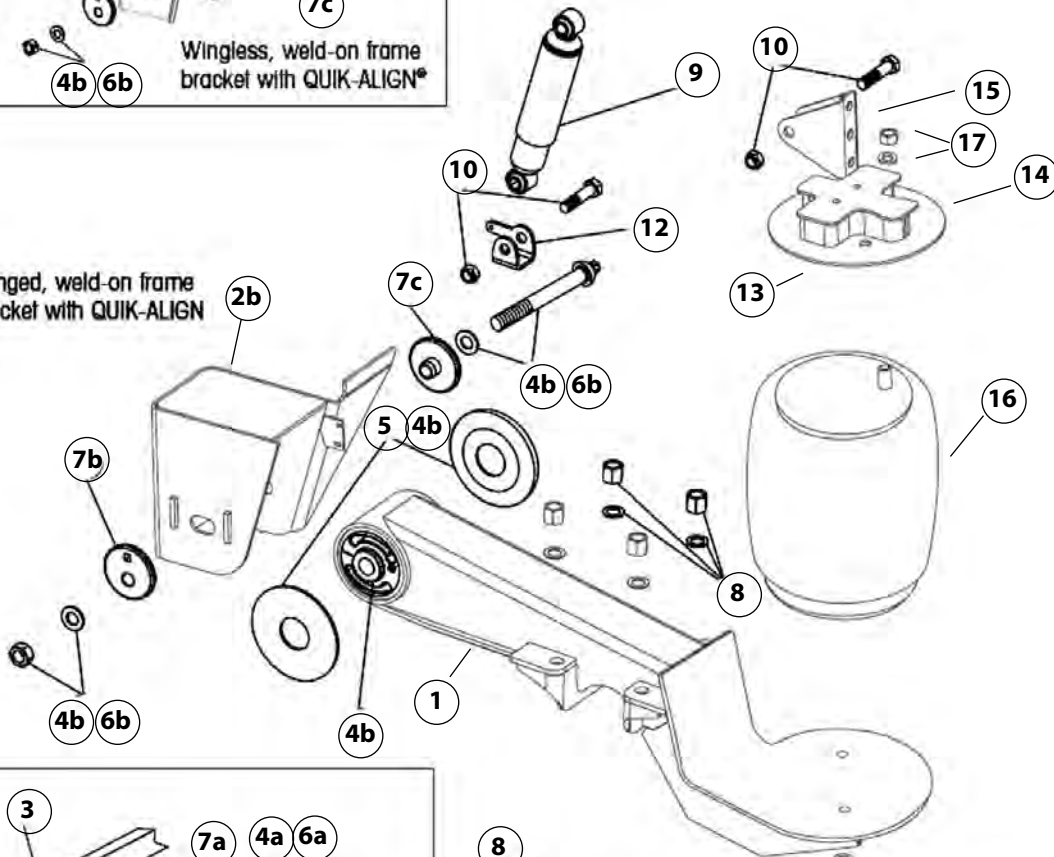


# HENDRICKSON HT250T17-001 SUSPENSION

Picture shown may not resemble all models.  
Identification Tag can be found on the front of the roadside  
frame bracket, or the inside of the curbside beam.



Winged, weld-on frame bracket with QUIK-ALIGN





## HENDRICKSON HT250T-17-001 SUSPENSION



| Item | Part No.          | DESCRIPTION   | QTY  |
|------|-------------------|---|------|
| 1    | S20602-1/S20602-2 | Beam Assembly - Roadside -1, Curbside -2                    | 1 ea |
| 2a   | S20065-1/S20065-2 | Wingless, Weld-on Welded Alignment RS=1, CS=2               | 1 ea |
| 2b   | S21165-1/S21165-2 | Winged Quick-Align Weld on, Roadside=-1, Curbside=-2        | 1 ea |
| 2c   | S21592-1/S21592-2 | Wingless, Quick-Align Weld on, Roadside=-1, Curbside=-2     | 1 ea |
| 3    | A1631-19          | Frame Bracket C-Channel                                     | 1    |
| 4a   | S6914             | Tri-Functional Bushing Kit Welded Align (need tool#S-21307) | 2    |
| 4b   | S24691            | Tri-Functional Bushing Kit Quick-Align                      | 2    |
| 5    | S21099            | Bushing Tube spacer   | 4    |
| 6a   | S3646             | Pivot Bolt Kit-Welded Align                                 | 2    |
| 6b   | S24679            | Pivot Bolt Kit-Quick Align                                  | 2    |
| 7a   | S2770             | Welded alignment collar                                     | 4    |
| 7b   | S20925            | Eccentric Quick-Align alignment collar (outer)              | 2    |
| 7c   | S20924            | Concentric Quick-Align alignment collar (inner)             | 2    |
| 8    | S21140/4          | U-Bolt Kit  | 4    |
| 9    | S2212             | Shock Absorber  | 2    |
| 10   | S20031/2          | Shock Bolt kit  | 2    |
| 11   | S14857-3          | Shock Strap kit (not shown)                                 | 1    |
| 12   | S20069            | Lower Shock Clevis (this IS incl in beam assy,(item 1)      | 2    |
| 13   | C21219-1/C21219-2 | Air Spring Shock Mount (-1=curbside, -2=roadside)           | 1 ea |
| 14   | n/a               | Air Spring Spacer Assembly (not on 17" models)              | --   |
| 15   | S20023            | Upper Shock Bracket   | 2    |
| 16   | S20124            | Air Spring  | 2    |
| 17   | S20033/2          | Air Spring Mounting Kit                                     | 2    |

### Not Shown: Air Control Components (All Quantities are Per Trailer:)

|    |          |                                |   |
|----|----------|--------------------------------|---|
| 18 | VS227    | Universal Height Control Valve | 1 |
| 19 | S14187   | Universal Linkage Assembly     | 1 |
| 20 | VS-23460 | Automatic Dump Valve           | 1 |
| 21 | VS1128   | Pressure Protection Valve      | 1 |

**HENDRICKSON VALVES****Part No. VS26816**

Pilot Valve - 4 way.  
All Ports 1/4" N.P.T.F;  
Except Pilot Port Which is 1/8" N.P.T.F.



**HENDRICKSON**  
*The World Rides On Us™*

**Part No. VS1968**

Mini Filter/Regulator, less jam nut  
1/8" ports.

**Part No. AKEM0005-1 (AK-147)**

Air Control Kit -  
Manual Dump Valve

**Part No. VS1968-Z1**

Jam Nut

**Part No. VS26815**

Mini Filter/Regulator, 1/4" ports.

**Part No. S25593**  
Sure-Lok Air Spring  
Actuator Assembly



Height control valve kit for Intraax AAT.  
Includes ppv valve and hardware.

**Part No. AKH-238-3**

Height control valve kit for Intraax.  
Includes ppv valve and hardware.

**Part No. AKH-244-B**

**HENDRICKSON**  
*The World Rides On Us™*

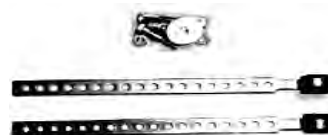
**Part No. AKH134-3**

Non-Delay Height Control Kit For HT & HS  
Suspensions. Kit Includes:

- S24642 Height Control Valve
- S1128 Pressure Protection Valve
- Bolted Link Assembly
- Brass Elbows & Plugs
- Clamp Link Assembly



**Part No. S14187**  
Bolted Link Assembly

**Part No. VS1414**

SOLENOID VALVE  
12 VDC (Normally Open)

**Part No. A14467**

SOLENOID VALVE  
12 V, 4-Way



**Part No. VS27116**  
Differential dump,  
height control valve

**Part No. VS14179**

Push Pull Valve Kit  
(Parker # 410939002)



**Part No. VS25223**  
3 way auto reset  
valve, less fittings

**Part No. VS25224**  
Same, with fittings



**Part No. VS1128**  
Pressure protection  
Valve



**HENDRICKSON**  
*The World Rides On Us™*





**HENDRICKSON VALVES**

**Part No. VS227**

Height Control Valves are adaptable to all tractor, truck and trailer air-ride suspensions regardless of manufacturer, model or year. Standard original equipment on all INTRAAX® and VANTRAAX®



**Part No. VS227**



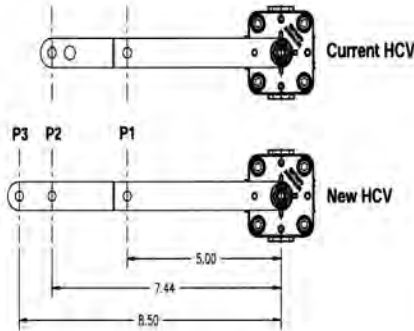
**Part No. VS228**

**Part No. VS228**

Height Control Valve - **With Dump**

**CONTROL ARM CHANGE:**

Extending the arm one inch to include a third mounting hole. To determine the proper hole for mounting, refer to the chart. The function of the valve is unaffected by these changes. Same Part Numbers. Works on all Hendrickson excluding VANTRAAX® and ULTRAA-K®



| SUSPENSION MODEL*  | LOWER HCV BRACKET LOCATION        | HOLE |
|--|-----------------------------------|------|
| INTRAAX® - AANT, AAT, AANL, AANLS<br>VANTRAAX® - HKANT, HKAT, HKARL<br>INTRAAX-SP - AAZNT<br>HT™ Series - All non "US" models<br>HK™ Series - All<br>HS Series - All | Attached to brake chamber bracket | P1   |
| INTRAAX - AAL, AAEDL, AAEDT<br>VANTRAAX - HKAL<br>INTRAAX-SP-AAZL<br>HT Series - HT250US, HT300US  |                                   | P2   |
| VANTRAAX - HKANT, HKAT   | Attached to air spring pedestal   | P3   |

\* For VANTRAAX ULTRAA-K, use VS-33704-3 (HCV) and VS-33705-3 (HCVD) aftermarket replacement valves.

**Hendrickson's UNDER BEAM LIFT™ (UBL™)**

The UBL is a sturdy, lightweight and easy to install lift mechanism. When combined with INTRAAX, or HT™ Series, UBL provides the lightest integrated lift system available today, increasing your productivity and profitability.



**Part Numbers: UBL-001, UBL-002, UBL-004**

**SUSPENSION**

| MODEL                           | UBL KIT        | Comments   |
|---------------------------------|----------------|--|
| AANT 23K                        | <b>UBL-004</b> | Recommended for lifting in unloaded condition only                               |
| AAT 23K AAT<br>25K AAT 30K      | <b>UBL-001</b> | Recommended for lifting in unloaded condition only                               |
| AAL 23K<br>AAL 25K<br>AAEDT 30K | <b>UBL-002</b> | Approved for lifting in loaded and unloaded condition                            |
| AAL 30K<br>AAEDL 30K            | <b>UBL-003</b> | Approved for lifting in loaded and unloaded condition; includes crossover valve  |
| HT230                           | <b>UBL-001</b> | Recommended for lifting in unloaded condition only                               |
| HT250T                          | <b>UBL-002</b> | Approved for lifting in loaded and unloaded condition; 14" ride height and above |
| HT300                           | <b>UBL-001</b> | Approved for lifting in unloaded condition only; 17" ride height and above       |

**Part No. VS22535**

Ball Valve, 3-way.



**Part No. S23460**

Auto Dump Valve



**Part No. AK53**

Electric dump valve



**Part No. VS28048**

Ball Valve, 2-way.





## HENDRICKSON TRAILER

### TRI FUNCTIONAL® BUSHING REPLACEMENT TOOL

Standard Bushing Is 6.75" Wide.

**PART NO. S21307**

A Seperate tool is available for the Vantraax HKA180 models:

**Part No. S24736**

Lube Pack for Busing Tool.  
4 ounce.

**Part No. S21337**



**HENDRICKSON**  
*The World Rides On Us™*

**Part No. S24303**

E-20 Socket, 3/4" drive.



**Part No. S21099**

Delrin Bushing Wear Pad  
(Tri-functional II applications)



### Welded Alignment Pivot Bushing Kit (Per Hanger)

**PART NO. S6914**

(Use bushing tool S21307)



**Part No. S28654**

Bushing Kit QuickAlign™ Collar.  
AAT Intraax Suspension

**Part No. S28655**

Pivot Bushing Kit. Dana RF/RS23  
Advantage. 2 per axle.

### QUICK ALIGN® PIVOT BUSHING KIT(PER HANGER)

**PART NO. S24691 (Wide Beam application)**

(Use bushing tool S21307)



**Part No.**

**S2770**

Alignment  
Collar



### QUICK ALIGN® PIVOT BUSHING KIT(PER SUSP)

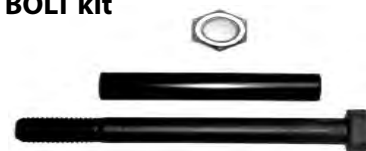
**PART NO. S26321 (Narrow Beam application)**

(Use bushing tool S24736)



**QuickAlign® pivot BOLT kit  
(per hanger)**

**PART NO. S3646**



Wear Pad is **Part No. S26807**

**QuickAlign™ Pivot Bolt Kit (per hanger)**

**PART NO. S24679**

Commonly used with

**Part No. S20924**

Flange Washer Inner Quick Align

**Part No. S20925**

Eccentric Center Quick Align.



Pivot Bolt Kit (per hanger) for HKA180

(1 Kit Only! / 2 are Needed For One Full Suspension)

**Part No. S24705**



**Part No. S14108**

Rail clip 1.5" hole centers

**Part No. S22366**

Body Rail clip for Sliders

**Part No. S24459**

Body Rail Clip for Hutch

**Part No. S24460**

Body Rail Clip for Binkley



**Slider Lock Pins**

1-5/8" D Pin

**Part No. S28289**

1-3/8" D Pin

**Part No. S28290**

**Stop Bar**

Manual, 1-5/8" pin, for 48" box

**Part No. S21477-8**

**Handle Pin Release**

HKA190 / HKA200

**Part No. B21505**



## HENDRICKSON SLIDER BOX LISTING

**Part No. AMBOX.127**

HKA NT, 16" Ride Height.

**Part No. AMBOX.22**

HKA NT 40K, 16" Ride Height.

**Part No. AMBOX.36**

AANT, 17" Ride Height, Binkley rails.

**Part No. AMBOX.93**

HT, HKR, 40K, 17" Ride Height, 48" wide  
49" axle centers

**Part No. AMBOX.98**

HKA, 40K, 16" Ride Height, 49" axle centers



## HENDRICKSON TRUCK SUSPENSION PARTS

**Part No. 06969000L**

End bushing R340 suspension



**Part No. 34013088L**

Bar pin bushing kit (shim)



**Part No. 44695000L**

Torque rod bushing (2.75")



**Part No. 45477000L**

Torque rod bushing cartridge.

Interchange number E-2238

**Part No. 47691000L**

Torque rod bushing HA/E4 suspension

**Part No. 57977000**

Height control valve with dump kit

**Part No. 60826000**

Height control valve kit



**Part No. 60879000L**

Bolster spring HN522 suspension



**Part No. 66610000H**

Torque rod tube end  
(female) Need 2/susp.



**Part No. 66661000H**  
(27" spacer, straddle)

Torque rod spacer end (male) Need 2/susp.



**Part No. 66681000H (27" spacer, taper pin)**

Torque rod spacer end (male) Need 2/susp.

## HENDRICKSON AUXILLARY

**Part No. 005079**

Air Spring, paralift. Lift Bag

**Part No. R-001346**

Air Spring. Ride Bag

**Part No. R-003200A**

King Pin 13.2K Steerable.

FBC, UCL, UC2

**Part No. R-003270**

Bushing kit, kingpin, 13.2K Steerable



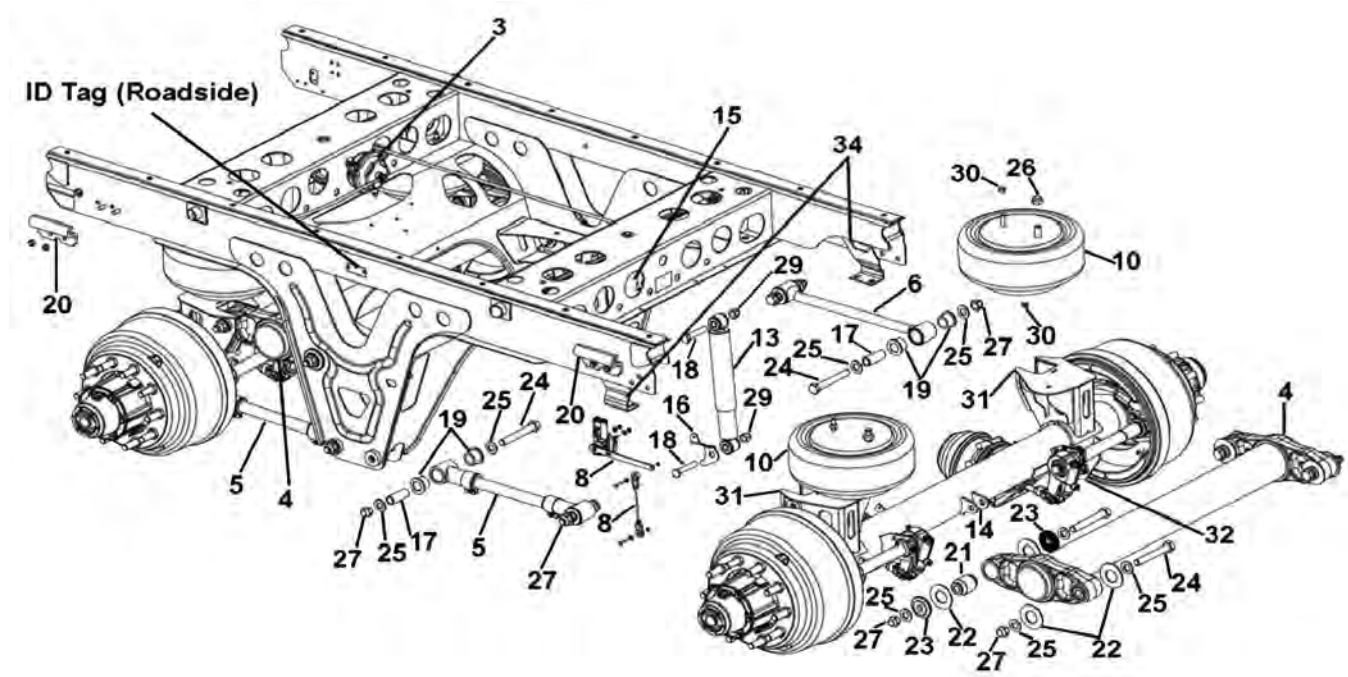


# MERITOR SUSPENSION

This catalog contains information that is unique to the RideStar™ RHP and RideSentry™ MPA series of Trailer Air Suspension Systems.

Use the illustrations to help determine the name of the item to be ordered.

Parts are used for both models unless otherwise specified.



**Part No. A2258F1410**

Air Spring, (# 10)  
All RHP and MPA  
16.5" ride height



**Part No. M312508**

Shock bracket (#16) at axle  
location for all ride heights.



**Part No. M85919**

(A3280M9711)  
Shock Absorber (#13)



**Part No. A13133Y8345**

Lower Adjustable Arm (#5)  
RHP11.



**Part No. KIT11305**

Upper Control Arm (#4) RHP 11.  
Includes Kit11302:  
(#'s 22,23,24,25,27)  
Qtys: 8,2,4,8,4)



**Part No. A3133G8249**

Lower Control Arm (#6)  
Fixed, RHP11.



**Part No. 71092-01**

EZ Pull Pin Assembly.



**MERITOR**

**Part No. A7420E1045**

48" wide Slider, RHP11, 16.5"  
ride height for Hutchens rails.



**MERITOR SUSPENSIONS - RHP / RIDESENTRY**

This catalog contains information that is unique to the RideStar™ RHP and RideSentry™ MPA series of Trailer Air Suspension Systems.

Use the illustrations to help determine the name of the item to be ordered.

Parts are used for both models unless otherwise specified.

**Part No. KIT11300**

**Upper Control Arm bushing & Bolt Kit (for 1 Upper control arm)**

| Key No. | Kit Item | Qty. | Component Number | Description                                     |
|---------|----------|------|------------------|---|
| 24      | 1        | 4    | S-21448M-2       | Pivot Bolt - 7/8"-9 x 6", Grade A-490           |
| 25      | 2        | 8    | M301530          | Hardened Flat Washer - 7/8" ID                  |
| 27      | 3        | 4    | 1227-R-1604      | Torque Nut, 7/8"-9, Grade C                     |
| 22      | 4        | 8    | 1229-N-5006      | Thrust Washer                                   |
| 21      | 5        | 4    | A1225-G-1437     | Bushing   |
| 23      | 6        | 2    | M301532          | Pivot Bolt Washer, 3" OD x 7/8" ID x 1/2" thick |
| -       | 7        | 1    | 2297-S-8547      | P-80 Rubber Lubricant                           |



**Part No. KIT11301**

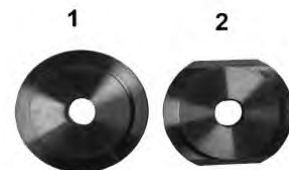
**Upper Control Arm bushing & Bolt Kit - Special Repair - Non RHP55**

| Key No. | Kit Item | Qty. | Component Number | Description                           |
|---------|----------|------|------------------|---------------------------------------|
| 24      | 1        | 4    | S-21448M-2       | Pivot Bolt - 7/8"-9 x 6", Grade A-490 |
| 25      | 2        | 8    | M301530          | Hardened Flat Washer - 7/8" ID        |
| 23      | 3        | 1    | 1229-K-4899      | Washer - Outer                        |
| 23      | 4        | 1    | 1229-L-4900      | Washer - Inner                        |
| 27      | 5        | 4    | 1227-R-1604      | Torque Nut, 7/8"-9, Grade C           |
| 22      | 6        | 8    | 1229-N-5006      | Thrust Washer                         |
| 21      | 7        | 4    | A1225-G-1437     | Bushing                               |
| -       | 8        | 1    | 2297-S-8547      | P-80 Rubber Lubricant                 |



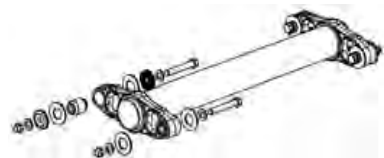
**KIT 11304 Washer Kit - Curbside Repair - RHP11 only**

| KEY | Item | Qty | Component Number | Description    |
|-----|------|-----|------------------|----------------|
| 23  | 1    | 1   | 1229-K-4899      | Washer - Outer |
| 23  | 2    | 1   | 1229-L-4900      | Washer - Inner |



**KIT 11305 RHP/MPA Upper Control Arm Assembly (with Bushings and Hardware)**

| Key | Item No. | Qty. | Component Number | Description                                   |
|-----|----------|------|------------------|---|
| 4   | 1        | 1    | A5-3216-D-4632S  | Upper Control Arm                             |
| 22  | 2        | 8    | 1229-N-5006      | Thrust Washer                                 |
| 27  | 3        | 4    | 1227-R-1604      | Torque Nut, 7/8"-9, Grade C                   |
| 24  | 4        | 2    | S-21448M-2       | Pivot Bolt - 7/8"-9 x 6", Grade A-490         |
| 23  | 5        | 1    | M301532          | Pivot Bolt Washer, 3" OD x 7/8" ID x 1/2" Thk |
| 25  | 6        | 4    | M301530          | Hardened Flat Washer - 7/8" ID                |



**KIT 11308 RHP Only With Automatic Dump Valve**

Exploded View Item No. 8



**MERITOR SUSPENSIONS - RHP / RIDESENTRY**

This catalog contains information that is unique to the RideStar™ RHP and RideSentry™ MPA series of Trailer Air Suspension Systems.

Use the illustrations to help determine the name of the item to be ordered.

Parts are used for both models unless otherwise specified.

**KIT 11322 Side Plate Repair Kit - Alignment Position for Damaged Frame****Brackets - RHP11 only**

| Key | Item No. | Qty. | Component Number | Description                                   |
|-----|----------|------|------------------|---|
| 24  | 1        | 2    | S-21456P-2       | Pivot Bolt - 7/8"-9 x 7", Grade A-490         |
| 25  | 2        | 8    | M301530          | Hardened Flat Washer - 7/8" ID                |
| 27  | 3        | 2    | 1227-R-1604      | Torque Nut, 7/8"-9, Grade C                   |
| 23  | 4        | 2    | 1229-K-5029      | Washer - Alignment                            |
| -   | 5        | 1    | A3305-V-1998     | Plate Assembly                                |
| 23  | 6        | 4    | M301532          | Pivot Bolt Washer, 3" OD x 7/8" ID x 1/2" Thk |

**KIT 11325 Thrust Washer Kit - RHP11**

| Key | Item No. | Qty. | Component Number | Description   |
|-----|----------|------|------------------|---------------|
| -   | 1        | 2    | 1229-Q-5035      | Thrust Washer |
| -   | 2        | 2    | 17-X-1044        | Rivet         |

**KIT 11331 RHP 16.5" and All MPA Ride Height Axle Seats**

| Key | Item | Qty. | Component Number | Description     |
|-----|------|------|------------------|-----------------|
| 31  | 1    | 1    | NSS              | Upper Axle Seat |
| 31  | 2    | 1    | NSS              | Upper Axle Seat |
| 32  | 3    | 4    | NSS              | Lower Axle Seat |

**KIT 11347 Axle Seat Repair Kit - RHP/MPA**

| Key | Item | Qty. | Component Number | Description |
|-----|------|------|------------------|-------------|
| -   | 1    | 2    | NSS              | Repair Boss |

**KIT 11357 Conversion Kit - Air Valve & Height Control Valves - RHP11 only**

| Qty. | Component Number | Description              |
|------|------------------|--------------------------|
| 1    | 2255D1408        | Bracket Linkage          |
| 1    | 2255C1433        | ABS Mounting bracket     |
| 1    | A 7806A1015      | Air Valve                |
| 1    | KIT11333         | Height control Valve Kit |





## MERITOR SUSPENSIONS - RHP / RIDESENTRY

This catalog contains information that is unique to the RideStar™ RHP and RideSentry™ MPA series of Trailer Air Suspension Systems.

Use the illustrations to help determine the name of the item to be ordered.

Parts are used for both models unless otherwise specified.

### KIT 11102 Lower Control Arm Bushing & Bolt Kit - Need 8 Kits (2 per Arm)

| Key | Item | Qty. | ComponentNumber | Description                           |
|-----|------|------|-----------------|---------------------------------------|
| 24  | 1    | 1    | S-21448M-2      | Pivot Bolt - 7/8"-9 x 6", Grade A-490 |
| 25  | 2    | 2    | M301530         | Hardened Flat Washer - 7/8" ID        |
| 27  | 3    | 1    | 1227-R-1604     | Torque Nut, 7/8"-9, Grade C           |
| 19  | 4    | 2    | 1225-W-1349     | Urethane Control Arm Bushing          |
| 17  | 5    | 1    | 2245-J-1232     | Inner Sleeve                          |



### Part No. KIT11107 Upper Control Arm Bolt Kit For All Other Positions. (Non-Adjustable)

| Key No. | Kit Item | Qty. | Component Number | Description                           |
|---------|----------|------|------------------|---------------------------------------|
| 24      | 1        | 1    | S-21448M-2       | Pivot Bolt - 7/8"-9 x 6", Grade A-490 |
| 25      | 2        | 2    | M301530          | Hardened Flat Washer - 7/8" ID        |
| 27      | 3        | 1    | 1227-R-1604      | Torque Nut, 7/8"-9, Grade C           |



### KIT 11201 Pivot Bolt and Bushing Kit - RFS23T

| Kit Item | Qty. | ComponentNumber | Description       |
|----------|------|-----------------|-------------------|
| 1        | 1    | S 21464M 2      | Bolt - 8.0"       |
| 2        | 1    | M201530         | Flat Washer       |
| 3        | 1    | 1227R1604       | Nut - Torque      |
| 4        | 2    | 21226663        | Washer - Wear     |
| 5        | 1    | A 1225N1522     | Bushing           |
| --       | 1    | 2297S8547       | P80 Lube, 4 ounce |



# MERITOR®

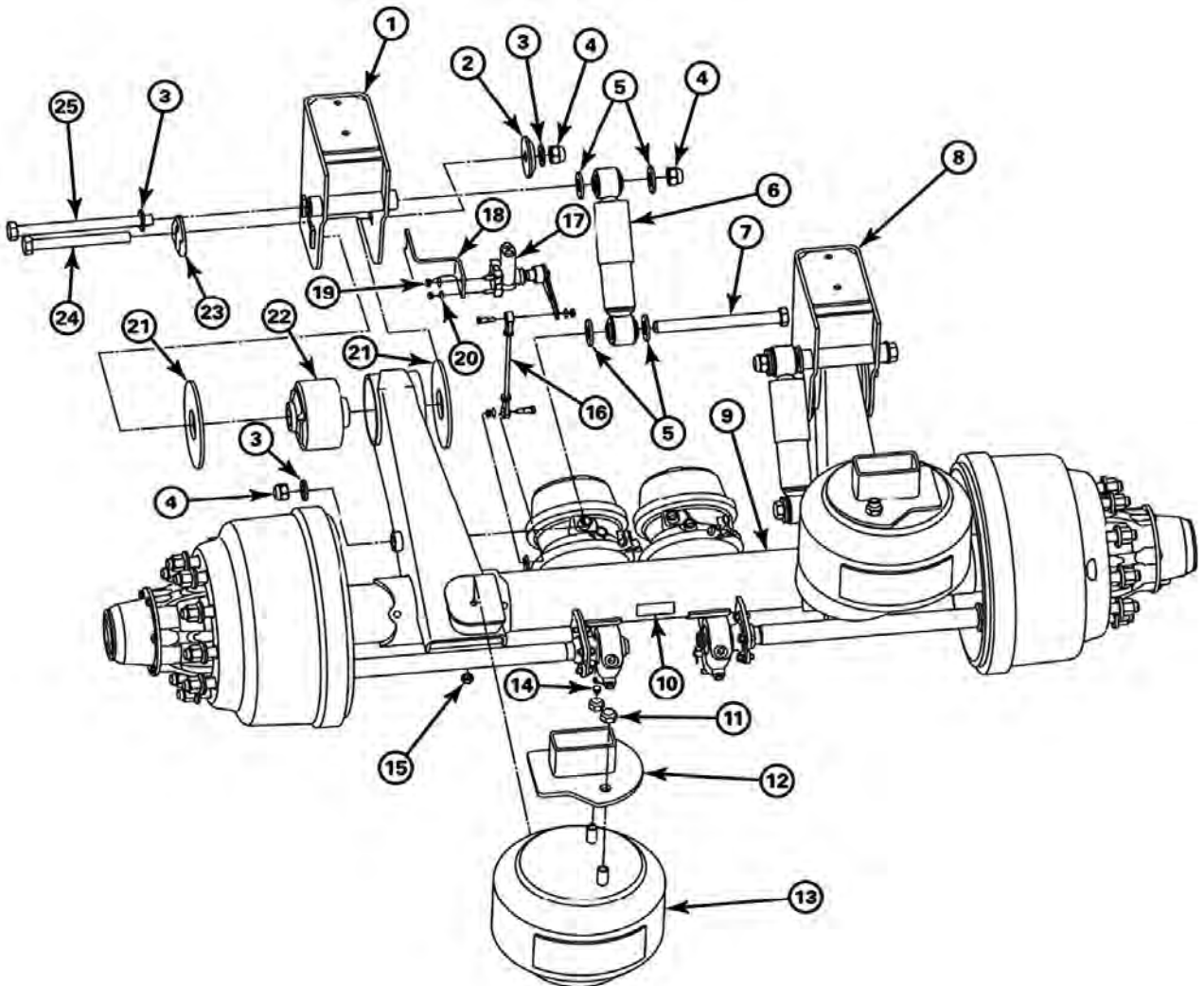
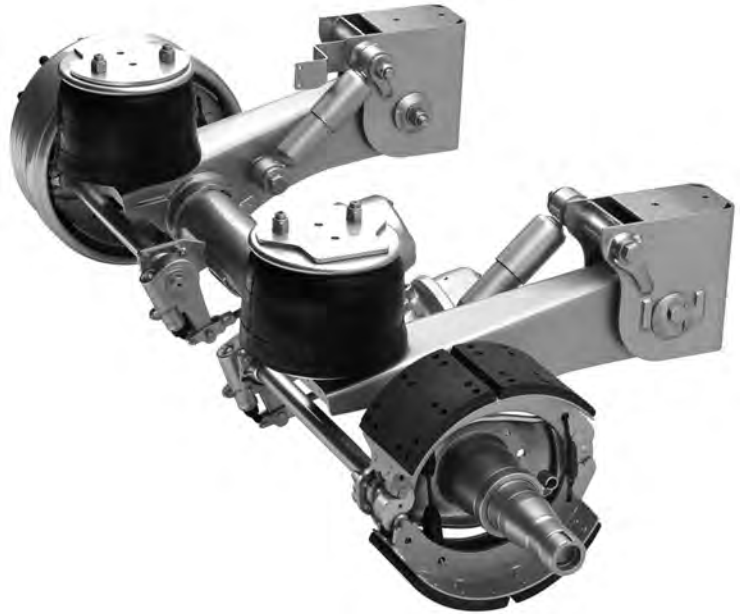


**MERITOR SUSPENSIONS - MTA23T**



**MERITOR**

**Parts List  
Breakdown  
for  
MTA23T  
Suspension**







## MERITOR SUSPENSIONS - MTA23T

### Parts List for MTA23T Suspension

| Key | Description   | Part Number  | Qty. | Comments                       |
|-----|---|--|------|--------------------------------|
| 1   | Roadside Hanger -<br>14" Ride Height (Weld-On)<br>15" Ride Height (Weld-On)<br>16" Ride Height (Weld-On)<br>17" Ride Height (Weld-On)<br>14" Ride Height (Bolt-On 9/16" Dia. Holes)<br>15" Ride Height (Bolt-On 9/16" Dia. Holes)<br>16" Ride Height (Bolt-On 9/16" Dia. Holes)<br>17" Ride Height (Bolt-On 9/16" Dia. Holes)<br>14" Ride Height (Bolt-On 11/16" Dia. Holes)<br>15" Ride Height (Bolt-On 11/16" Dia. Holes)<br>16" Ride Height (Bolt-On 11/16" Dia. Holes)<br>17" Ride Height (Bolt-On 11/16" Dia. Holes) | A1-3152-G-1229<br>A1-3152-H-1230<br>A1-3152-J-1232<br>A1-3152-K-1233<br>A5-3152-G-1229<br>A5-3152-H-1230<br>A5-3152-J-1232<br>A5-3152-K-1233<br>A3-3152-G-1229<br>A3-3152-H-1230<br>A3-3152-J-1232<br>A3-3152-K-1233 | 1    | Includes Item 18               |
| 2   | Concentric Alignment Collar   | 21226275   | 2    |                                |
| 3   | Hardened Washer   | M301530  | 6    | See KITs 11352, 11350, 11356   |
| 4   | Locknut   | 1227-R-1604  | 6    | See KITs 11352, 11350, 11356   |
| 5   | Flat Washer   | 1229-M-4979  | 8    | See KITs 11356                 |
| 6   | Shock Absorber  | A-7805-E-1019  | 2    |                                |
| 7   | Lower Shock Bolt  | S-21480-M-2  | 2    | See KIT 11356                  |
| 8   | Curbside Hanger -<br>14" Ride Height (Weld-On)<br>15" Ride Height (Weld-On)<br>16" Ride Height (Weld-On)<br>17" Ride Height (Weld-On)<br>14" Ride Height (Bolt-On 9/16" Dia. Holes)<br>15" Ride Height (Bolt-On 9/16" Dia. Holes)<br>16" Ride Height (Bolt-On 9/16" Dia. Holes)<br>17" Ride Height (Bolt-On 9/16" Dia. Holes)<br>14" Ride Height (Bolt-On 11/16" Dia. Holes)<br>15" Ride Height (Bolt-On 11/16" Dia. Holes)<br>16" Ride Height (Bolt-On 11/16" Dia. Holes)<br>17" Ride Height (Bolt-On 11/16" Dia. Holes) | A-3152-G-1229<br>A-3152-H-1230<br>A-3152-J-1232<br>A-3152-K-1233<br>A4-3152-G-1229<br>A4-3152-H-1230<br>A4-3152-J-1232<br>A4-3152-K-1233<br>A2-3152-G-1229<br>A2-3152-H-1230<br>A2-3152-J-1232<br>A2-3152-K-1233     | 1    |                                |
| 9   | Trailing Arm/Axle Subassembly   | ---  | 1    | See page 11.                   |
| 10  | Name Plate  | Not Sold Separately  | 1    |                                |
| 11  | Locknut   | 1227-M-1573  | 4    | See KIT 11203                  |
| 12  | Air Spring Pedestal -<br>14" Ride Height<br>15" Ride Height<br>16" Ride Height<br>17" Ride Height   | 3305-W-2571<br>A-3305-W-2571<br>A1-3305-W-2571<br>A2-3305-W-2571   | 2    |                                |
| 13  | Air Spring  | A-2258-H-1568  | 2    |                                |
| 15  | Plug  | Not Sold Separately  | 2    | See KIT 11203                  |
| 16  | Locknut   | 1227-M-1573  | 2    | See KIT 11203                  |
| 16  | Linkage Assembly  | 203159-5   | 1    | See KITs 11354, 11355          |
| 17  | Valve Assembly -<br>With Auto Dump<br>Without Auto Dump   | A-7806-M-1053<br>A-7806-L-1052   | 1    | See KIT 11354<br>See KIT 11355 |
| 18  | Bracket   | Not Sold Separately  | 1    | Included in Item 1             |
| 19  | Locknut   | NL-24-1  | 2    | See KIT 11354                  |
| 20  | Flat Washer   | WA-34  | 2    | See KIT 11354                  |
| 21  | Wear Washer   | 21226663   | 4    | See KIT 11350                  |
| 22  | Multi-Functional Pivot Bushing  | A-1225-N-1522  | 2    | See KIT 11354 & #19;           |
| 23  | Eccentric Alignment Collar  | 21226276   | 2    |                                |
| 24  | Pivot Bushing Bolt  | S-21464-M-2  | 2    | See KITs 11350, 11352          |
| 25  | Upper Shock Bolt  | S-21488-M-2  | 2    | See KIT 11356                  |



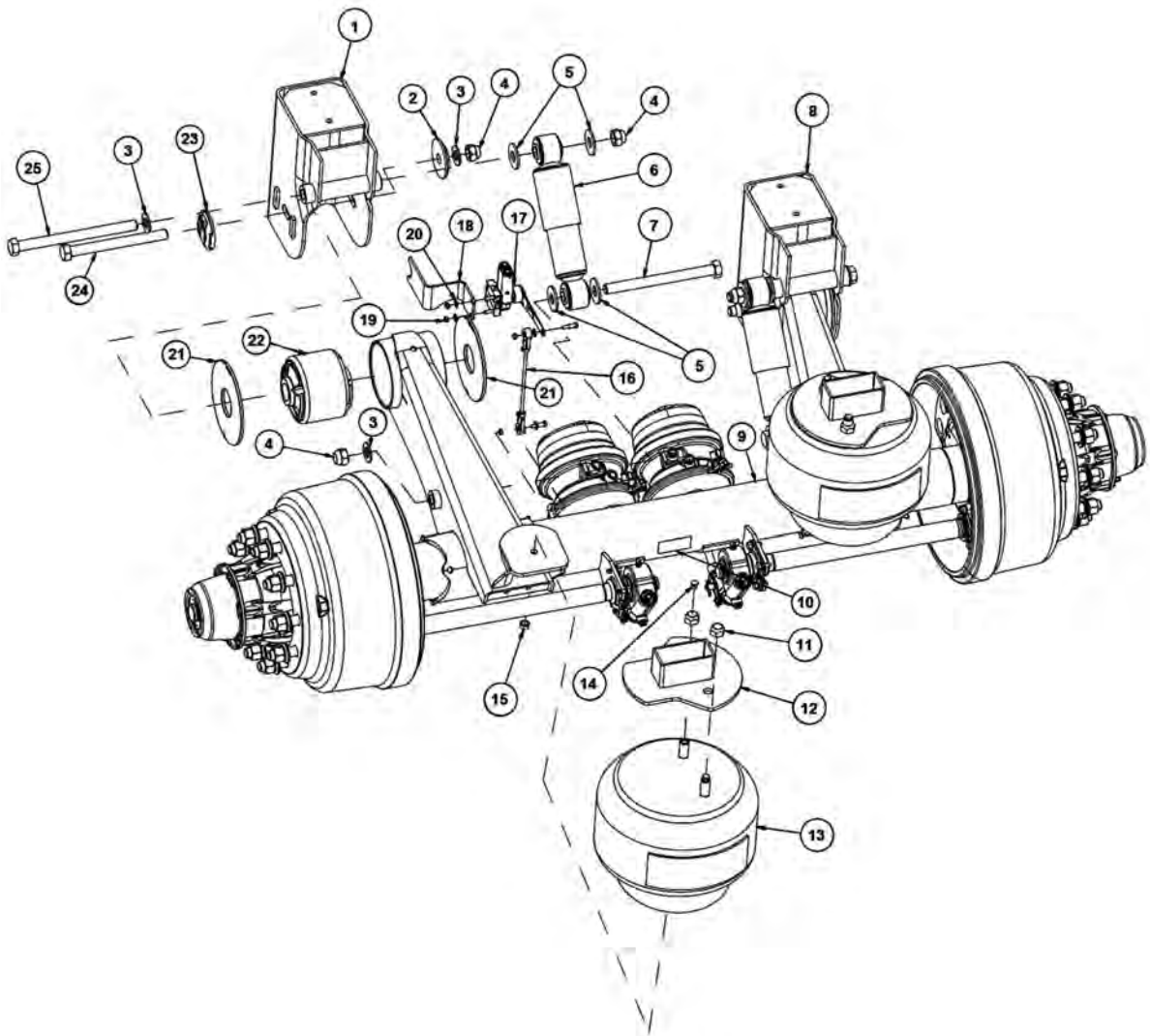
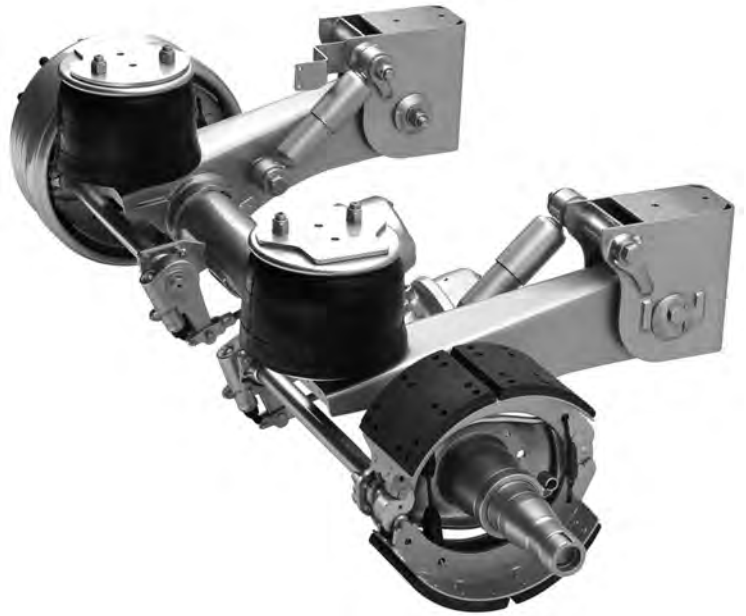


MERITOR SUSPENSIONS - MTA25T



**MERITOR**

**Parts List  
Breakdown  
for  
MTA25T  
Suspension**





## MERITOR SUSPENSIONS - MTA25T

### Parts List for MTA25T Suspension

| KEY | Description                                 | Part Number         | Qty. | Comments                     |
|-----|---|---------------------|------|------------------------------|
| 1   | Roadside Hanger (Standard Models)           |                     | 1    | Includes Item 18             |
|     | 14" Ride Height (Weld-On)                   | A1-3152-Y-1221      |      |                              |
|     | 15" Ride Height (Weld-On)                   | A1-3152-Z-1222      |      |                              |
|     | 16" Ride Height (Weld-On)                   | A1-3152-A-1223      |      |                              |
|     | 17" Ride Height (Weld-On)                   | A1-3152-B-1224      |      |                              |
|     | 14" Ride Height (Bolt-On 9/16" Dia. Holes)  | A5-3152-Y-1221      |      |                              |
|     | 15" Ride Height (Bolt-On 9/16" Dia. Holes)  | A5-3152-Z-1222      |      |                              |
|     | 16" Ride Height (Bolt-On 9/16" Dia. Holes)  | A5-3152-A-1223      |      |                              |
|     | 17" Ride Height (Bolt-On 9/16" Dia. Holes)  | A5-3152-B-1224      |      |                              |
|     | 14" Ride Height (Bolt-On 11/16" Dia. Holes) | A3-3152-Y-1221      |      |                              |
|     | 15" Ride Height (Bolt-On 11/16" Dia. Holes) | A3-3152-Z-1222      |      |                              |
|     | 16" Ride Height (Bolt-On 11/16" Dia. Holes) | A3-3152-A-1223      |      |                              |
|     | 17" Ride Height (Bolt-On 11/16" Dia. Holes) | A3-3152-B-1224      |      |                              |
| 2   | Concentric Alignment Collar                 | 21226275            | 2    |                              |
| 3   | Hardened Washer                             | M301530             | 6    | See KITS 11351, 11353, 11356 |
| 4   | Locknut                                     | 1227-R-1604         | 6    | See KITS 11351, 11353, 11356 |
| 5   | Flat Washer                                 | 1229-M-4979         | 8    | See KIT 11356                |
| 6   | Shock Absorber Kit                          | A-7805-F-1020       | 2    |                              |
| 7   | Lower Shock Bolt                            | S-21480-M-2         | 2    | See KIT 11356                |
| 8   | Curbside Hanger (Standard Models)           |                     | 1    |                              |
|     | 14" Ride Height (Weld-On)                   | A-3152-Y-1221       |      |                              |
|     | 15" Ride Height (Weld-On)                   | A-3152-Z-1222       |      |                              |
|     | 16" Ride Height (Weld-On)                   | A-3152-A-1223       |      |                              |
|     | 17" Ride Height (Weld-On)                   | A-3152-B-1224       |      |                              |
|     | 14" Ride Height (Bolt-On 9/16" Dia. Holes)  | A4-3152-Y-1221      |      |                              |
|     | 15" Ride Height (Bolt-On 9/16" Dia. Holes)  | A4-3152-Z-1222      |      |                              |
|     | 16" Ride Height (Bolt-On 9/16" Dia. Holes)  | A4-3152-A-1223      |      |                              |
|     | 17" Ride Height (Bolt-On 9/16" Dia. Holes)  | A4-3152-B-1224      |      |                              |
|     | 14" Ride Height (Bolt-On 11/16" Dia. Holes) | A2-3152-Y-1221      |      |                              |
|     | 15" Ride Height (Bolt-On 11/16" Dia. Holes) | A2-3152-Z-1222      |      |                              |
|     | 16" Ride Height (Bolt-On 11/16" Dia. Holes) | A2-3152-A-1223      |      |                              |
|     | 17" Ride Height (Bolt-On 11/16" Dia. Holes) | A2-3152-B-1224      |      |                              |
| 9   | Trailing Arm/Axle Subassembly ---           |                     | 1    | See Meritor Guide            |
| 10  | Name Plate                                  | Not Sold Separately | 1    |                              |
| 11  | Locknut                                     | 1227-M-1573         | 4    | See KIT 11203                |
| 12  | Air Spring Pedestal (Std. Ride Heights)     |                     | 2    |                              |
|     | 14" Ride Height                             | 3305-F-2606         |      |                              |
|     | 15" Ride Height                             | A-3305-F-2606       |      |                              |
|     | 16" Ride Height                             | A1-3305-F-2606      |      |                              |
|     | 17" Ride Height                             | A2-3305-F-2606      |      |                              |
|     | 13 Air Spring                               | A-2258-P-1576       | 2    |                              |
|     | 14 Plug Not Sold Separately                 |                     | 2    | See KIT 11203                |
| 15  | Locknut                                     | 1227-M-1573         | 2    | See KIT 11203                |
| 16  | Linkage Assembly                            | 203159-5            | 1    |                              |
| 17  | Valve Assemblies                            |                     |      |                              |
|     | With Auto Dump                              | A-7806-M-1053       | 1    | See KIT 11354                |
|     | Without Auto Dump                           | A-7806-L-1052       | 1    | See KIT 11355                |
| 18  | Bracket Not Sold Separately                 |                     | 1    | Included in Item 1           |
| 19  | Locknut                                     | NL-24-1             | 2    | See KITS 11354, 11355        |
| 20  | Flat Washer                                 | WA-34               | 2    | See KITS 11354, 11355        |
| 21  | Wear Washer                                 | 21226663            | 4    | See KIT 11351                |
| 22  | Multi-Functional Pivot Bushing              | A-1225-C-1537       | 2    | See KIT 11351                |
| 23  | Eccentric Alignment Collar                  | 21226276            | 2    |                              |
| 24  | Pivot Bushing Bolt                          | S-21472-M-2         | 2    | See KITS 11351, 11353        |
| 25  | Upper Shock Bolt                            | S-21488-M-2         | 2    | See KIT 11356                |



**MERITOR SUSPENSIONS - MTA REPAIR KITS****KIT 11350 Pivot Bolt and Bushing Kit (MTA23T)**

| Item | Qty. | Part Number   | Description                    |
|------|------|---------------|--------------------------------|
| 1    | 1    | S-21464-M-2   | Capscrew 7/8"-9 x 8", Grade 8  |
| 2    | 1    | M301530       | Hardened Flat Washer - 7/8" ID |
| 3    | 1    | 1227-R-1604   | Lock Nut - 7/8"-9, Grade C     |
| 4    | 2    | 21226663      | Wear Washer                    |
| 5    | 1    | A-1225-N-1522 | Multi-Function Bushing         |

**KIT 11351 Pivot Bolt and Bushing Kit (MTA25T, MTA30T, MTA25L & MTA30L)**

| Item | Qty. | Part Number   | Description                    |
|------|------|---------------|--------------------------------|
| 1    | 1    | S-21472-M-2   | Capscrew 7/8"-9 x 9", Grade 8  |
| 2    | 1    | M301530       | Hardened Flat Washer - 7/8" ID |
| 3    | 1    | 1227-R-1604   | Lock Nut - 7/8"-9, Grade C     |
| 4    | 2    | 21226663      | Wear Washer                    |
| 5    | 1    | A-1225-C-1537 | Multi-Function Bushing         |

**KIT 11352 Pivot Bolt Kit (MTA23T)**

| Item | Qty. | Part Number | Description                    |
|------|------|-------------|--------------------------------|
| 1    | 1    | S-21464-M-2 | Capscrew 7/8"-9 x 8", Grade 8  |
| 2    | 1    | M301530     | Hardened Flat Washer - 7/8" ID |
| 3    | 1    | 1227-R-1604 | Lock Nut - 7/8"-9, Grade C     |

**KIT 11353 Pivot Bolt Kit (MTA25T, MTA30T, MTA25L & MTA30L)**

| Item | Qty. | Part Number | Description                    |
|------|------|-------------|--------------------------------|
| 1    | 1    | S-21472-M-2 | Capscrew 7/8"-9 x 9", Grade 8  |
| 2    | 1    | M301530     | Hardened Flat Washer - 7/8" ID |
| 3    | 1    | 1227-R-1604 | Lock Nut - 7/8"-9, Grade C     |

**KIT 11356 Shock Absorber Hardware Kit (MTA23T, MTA25T & MTA30T)**

| Item | Qty. | Part Number | Description                          |
|------|------|-------------|--------------------------------------|
| 1    | 4    | 1229-M-4979 | Flat Washer - O.D. 2.25"; I.D. .938" |
| 2    | 2    | M301530     | Hardened Flat Washer - 7/8" ID       |
| 3    | 2    | 1227-R-1604 | Lock Nut - 7/8"-9, Grade C           |
| 4    | 1    | S-21480-M-2 | Capscrew 7/8"-9 x 10 Grade 8         |
| 5    | 1    | S-21488-M-2 | Capscrew 7/8"-9 x 11 Grade 8         |

**KIT 11203 Air Spring Bolt Kit (MTA23T, MTA25T & MTA30T)**

| Item | Qty. | Part Number | Description                 |
|------|------|-------------|-----------------------------|
| 1    | 2    | R004961A    | Lock Nut - 3/4"-16, Grade 8 |
| 2    | 2    | M301554     | Lock Nut - 1/2"-13, Grade C |
| 3    | 1    | 1250-H-1308 | Plug - 1/4" NPT             |





## RIDEWELL MODEL RAR-240 AIR-RIDE



**NOTICE: SUSPENSION IDENTIFICATION:**  
Ridewell Suspensions are identified by a metal tag that indicates part number, capacity and serial number.



### The RAR-240 Trailer Air Ride Suspension -

"A complete suspension line for all applications, including severe service."

#### Features:

Overslung, underslung, & yoke mount configurations. The ultimate in durability & low maintenance. Accommodates any on/off highway trailer application. Weld-on or bolt-on mounting.

#### 15" MOUNTING HEIGHT WITH INLINE AIR SPRINGS

| Suspension<br>Part No. | Hanger Assy.<br>LH/RH | Bushing/Beam Assy.<br>LH/RH | Bushing<br>Replacement Kit | Airspring<br>Replacement |
|------------------------|-----------------------|-----------------------------|----------------------------|--------------------------|
| 2400715                | 3267739C100/200       | 5970085/86                  | 6040029 (Duro)             | 1001R13109G              |

#### 17" MOUNTING HEIGHT WITH INLINE AIR SPRINGS

| Suspension<br>Part No. | Hanger Assy.<br>LH/RH | Bushing/Beam Assy.<br>LH/RH | Bushing<br>Replacement Kit | Airspring<br>Replacement |
|------------------------|-----------------------|-----------------------------|----------------------------|--------------------------|
| 2400717                | 3267739C100/200       | 5970087/88                  | 6040029 (Duro)             | 1001R13109G              |

#### PART NO. 6301BFAB13

Air control kit for Ridewell RAR-240 Suspensions includes pressure protection.

#### Kit Contents - One of Each

| Part No.    | Description                               |
|-------------|---|
| 1237423B009 | Leveling Arm                              |
| 6210202     | V-Link, S-Eye, 14.00                      |
| 6211000     | L-Con-Str, 5 <sup>1/16</sup> " - 18 x 2.5 |
| 1237423B010 | Universal Bracket                         |
| 1240097     | 2 <sup>1/4</sup> " Anchor Pak             |



#### PART NO. 6321BFAB13

Air control kit for Ridewell RAR-240 Suspensions, includes: pressure protection and zero pressure dump valve.



#### PART NO. 6040011

Bushing kit for RAR-240W. Wishbone. Pivot.

#### PART NO. 6040029

Bushing kit for RAR-240. Pivot connection. 1/axle.

#### PART NO. 6040058

U-bolt kit for RAR-240. (Optional)

**RIDEWELL MODEL RAR-240 AIR-RIDE****RAR-240 Underslung - 25,000 lb. cap.**

**NOTICE: SUSPENSION IDENTIFICATION:**  
Ridewell Suspensions are identified by a metal tag that indicates part number, capacity and serial number.

**The RAR-240 Underslung Trailer Air Ride Suspension -**

"A complete suspension line for all applications, including severe service."

**Features:**

Overslung, underslung, & yoke mount configurations. The ultimate in durability & low maintenance. Accommodates any on/off highway trailer application. Weld-on or bolt-on mounting.

| Suspension<br>Part No. (Ride HT) | Hanger Assy.<br>LH/RH | Bushing/Beam Assy.<br>LH/RH | Bushing Part No.<br>Replacement Kit | Airspring<br>Replacement |
|----------------------------------|-----------------------|-----------------------------|-------------------------------------|--------------------------|
| <b>2400306</b> (6-7.5)           | 3267744C106/206       | 5970027/28                  | <b>6040029</b> (60 Duro)            | 1000003                  |
| <b>2400308</b> (8-9)             | 3267744C108/208       | 5970027/28                  | <b>6040029</b> (60 Duro)            | 1000001                  |

**PART NO. 6301BFAB13**

Air control kit for Ridewell RAR-240 Suspensions includes pressure protection.

**Kit Contents - One of Each**

| Part No.           | Description                               |
|--------------------|---|
| <b>1237423B009</b> | Leveling Arm                              |
| <b>6210202</b>     | V-Link, S-Eye, 14.00                      |
| <b>6211000</b>     | L-Con-Str, 5 <sup>1/16</sup> " - 18 x 2.5 |
| <b>1237423B010</b> | Universal Bracket                         |
| <b>1240097</b>     | 2 <sup>1/4</sup> " Anchor Pak             |

**PART NO. 6321BFAB13**

Air control kit for Ridewell RAR-240 Suspensions, includes: pressure protection and zero pressure dump valve.

**PART NO. 6040011**

Bushing kit for RAR-240W. Wishbone. Pivot.

**PART NO. 6040029**

Bushing kit for RAR-240. Pivot connection. 1/axle.

**PART NO. 6040058**

U-bolt kit for RAR-240. (Optional)





## RIDEWELL RCA-215T FOR TRAILER

### RCA-215T (Trailer)

22,500 lb. capacity, Non-Steerable Auxiliary Axle Suspension.

| Suspension Part No. (Ride Ht)              | Mtg. Height | Axle Travel |      |       |
|--|-------------|-------------|------|-------|
|  |             | Up          | Down | Total |
| <b>2150321 (12-14)</b><br>Mid Mount        | 12          | 4.8         | 5.5  | 10.3  |
|  | 13          | 5.8         | 4.5  | 10.3  |
|  | 14          | 6.8         | 3.5  | 10.3  |
| <b>2150331 (14-16)</b><br>High Mount       | 14          | 4.8         | 5.5  | 10.3  |
|  | 15          | 5.8         | 4.5  | 10.3  |
|  | 16          | 6.8         | 3.5  | 10.3  |
| <b>2150142 (16-18)</b><br>Extra High Mount | 16          | 4.8         | 5.5  | 10.3  |
|  | 17          | 5.8         | 4.5  | 10.3  |
|  | 18          | 6.8         | 3.5  | 10.3  |



#### FEATURES & BENEFITS

##### Designed for ease of installation & maintenance

- 10-1/4" total travel, with as much as 7" of lift.
- Durable and lightweight FiberTech™ bushing.
- Patented, contoured axle seat for secure axle connection without U-bolts.
- Axle alignment adjustment of 1/2" at each hanger.
- Wide beam spacing reduces axle stresses
- Easily adjusts to various frame widths and ride heights..

## RIDEWELL RCA215 FLEX MOUNT™ FOR TRUCK

### RCA215 Flex Mount™ (Truck)

- 22,500 lb. capacity
- Flexible system easily adjusts to various frame widths/heights.
- 10.25" total travel, up to 7" of lift
- Durable & lightweight FiberTech™ bushing
- Secure axle connection without U-bolts
- Axle alignment - 3/8" at each hanger



| Suspension Part No. (Ride Ht) | Mtg. Height | Axle Travel |      |       |
|-------------------------------|-------------|-------------|------|-------|
|                               |             | Up          | Down | Total |
| <b>2150202 (8-12)</b>         | 8           | 5.0         | 5.3  | 10.3  |
|                               | 9           | 6.0         | 4.3  | 10.3  |
|                               | 10          | 7.0         | 3.3  | 10.3  |
|                               | 11**        | 7.0         | 3.8  | 10.8  |
|                               | 12**        | 7.0         | 3.3  | 10.3  |
| <b>2150204 (10-14)</b>        | 10          | 5.0         | 5.3  | 10.3  |
|                               | 11          | 6.0         | 4.3  | 10.3  |
|                               | 12          | 7.0         | 3.3  | 10.3  |
|                               | 13*         | 7.0         | 3.8  | 10.8  |
|                               | 14**        | 7.0         | 3.3  | 10.3  |

\*Requires 1" optional spacer kit

\*\*Requires 2" optional spacer kit

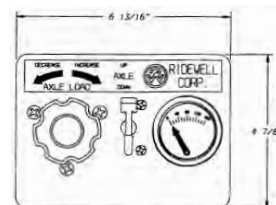


**PART NO. 1200038**

**- In cab air control kit.**

**PART NO. 1200039**

**- Same w/ lift in reverse.**



Air control kit with flip switch for Flex Mount suspensions

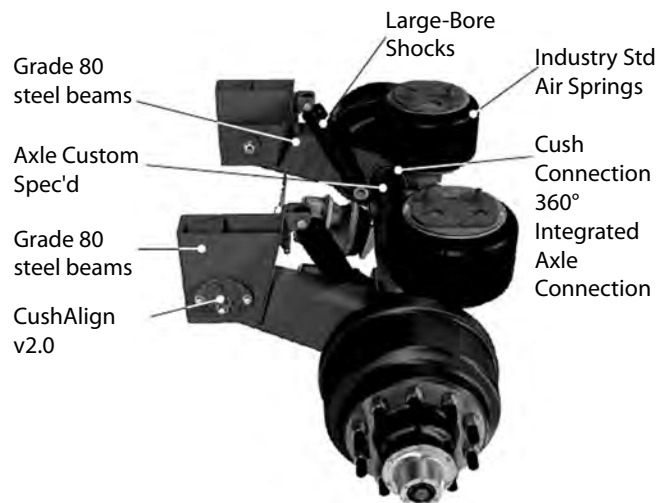


## CUSH AIR RIDE SUSPENSIONS

# CUSH SUSPENSIONS

## Trailer Air Suspensions - Top Mount

Our Trailer Top-Mount line is always evolving to be the most competitive in price, weight and delivery. This market demands the best product choice for the right application, and our current product line strives to have the best in class features and options for standard and custom applications.



| Part No.                            | Description                   | Ride Height |
|-------------------------------------|-------------------------------|-------------|
| <b>CP25T15</b>                      | Trailer suspension, top mount | 14"-16.5"   |
| <b>CP25T17</b>                      | Trailer suspension, top mount | 16"-18.5"   |
| ALL Suspensions rated at 25,000 lb. |                               |             |

### CP Performance Top Mount

Cush Top Mount Performance line of suspensions with value added features and upgrade options. Welded axle seat connection.

**Features:** Non-captured Axle. Attachment DesignTrac-Align Pivot Kit. Non-captured axle. Axle Alignment of +/-0.38" Flush Mount Shock. Optimized Design. Industry Std Dimensions. Integrated HCV Mounting.

**Options:** Integrated Chain Restraint. Nylon Shock Strap Kit. Front Lift Kits. Cush Integrated Axle. HCV Air Control Kit. Front Cross-member Kit. Integrated Chain Restraint.

**Axle Options:** Hanger Mounting Options (Bolt-on & Custom)

**Capacity: 25,000 lbs.**

**Ride Height: 14" to 19"**





## CUSH AIR RIDE SUSPENSIONS

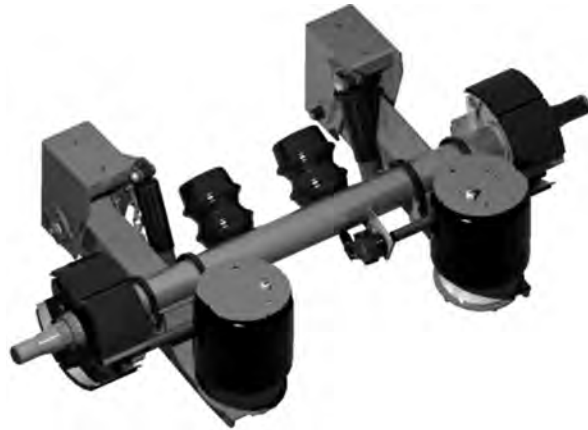
# CUSH SUSPENSIONS

| Part No.       | Description                   | Ride Height |
|----------------|-------------------------------|-------------|
| <b>CP25U07</b> | Trailer suspension, low mount | 6.5" - 8"   |
| <b>CP25U09</b> | Trailer suspension, low mount | 8" - 10.5"  |

ALL Suspensions rated at 25,000 lb.

### Trailer Air Suspensions - Low Mount

The Trailer Low-Mount line has risen out of products designed for the Lowboy market. We learned how to meet your needs for lighter weight, more travel and custom configurations. We offer axle connections to weld-on, u-bolt and weld, or integration of Cush or customer axle.



### CP Competitor Series (U-Bolted)

Shock placement allows top mounted brake chambers.

**Features:** Standard with dual u-bolts. Tall pivot hanger. Flush shock mounts. Axle alignment

**Options:** Full 12"OD air spring top plate. Trac-Align Ecc Gear Pivot Kit. Chain restraint or Nylon shock straps. Front crossmember. Front/Rear/Center lift kit.

**Capacity: 25,000 or 30,000lbs**

**Ride Height: 7" to 10.5"**

### CUSH Advantage Features:

- Low Weight Optimized Durability.
- Time-Saving Installation Features.
- Axle Adjustment.
- Dual-Rate Bushing.
- Shear Away Pivot Bolt w/ Torque of 550 ft-lbs.
- Readily Available Replacement Parts.
- Integrated Height Control Valve Mounting.





## LANDING GEAR LISTING - SAF-HOLLAND

### SAF-HOLLAND LANDING GEAR

#### MARK V



| Part No.         | Description  |
|------------------|--|
| <b>LGS-1A105</b> | MARK V legs with 4.9" tall 12x11.5 sand shoe. 13.5" travel, universal mount. |
| <b>LGS-3A001</b> | MARK V legs with 12" self leveling foot. 16.5" travel, universal mount.      |
| <b>LGS-3A105</b> | MARK V legs with 4.9" tall 12x11.5 sand shoe. 16.5" travel, universal mount. |
| <b>LGS-3A113</b> | MARK V legs with 2.5" tall 12x11.5 sand shoe. 16.5" travel, universal mount. |
| <b>LGS-4A001</b> | MARK V legs with 12" self leveling foot. 17.6" travel, universal mount.      |
| <b>LGS-4A105</b> | MARK V legs with 4.9" tall 12x11.5 sand shoe. 17.6" travel, universal mount. |
| <b>LGS-5A001</b> | MARK V legs with 12" self leveling foot. 18.8" travel, universal mount.      |
| <b>LGS-5A105</b> | MARK V legs with 4.9" tall 12x11.5 sand shoe. 18.8" travel, universal mount. |



#### ATLAS 65

| Part No.         | Description   |
|------------------|---|
| <b>LG6501-70</b> | Holland Square body with 4.5" tall 10x10 sand shoe. 17" travel, universal mount.    |
| <b>LG6501-90</b> | Holland Square body with 4.5" tall 10x10 sand shoe. 19" travel, universal mount.    |
| <b>LG6503-70</b> | Holland Square body with 2" tall 10x10 sand shoe. 17" travel, universal mount.      |
| <b>LG650B-70</b> | Holland Square body with 10x10 removable cushion foot. 17" travel, universal mount. |



#### ATLAS 55

| Part No.          | Description   |
|-------------------|---|
| <b>LG4001-70</b>  | Holland Square body with 4.5" tall 10x10 sand shoe. 17" travel, universal mount.      |
| <b>LG4001-90</b>  | Holland Square body with 4.5" tall 10x10 sand shoe. 19" travel, universal mount.      |
| <b>LG4003-70</b>  | Holland Square body with 2" tall 10x10 sand shoe. 17" travel, universal mount.        |
| <b>LG400B-505</b> | Holland Square body with 10x10 removable cushion foot. 15.5" travel, universal mount. |
| <b>LG400B-70</b>  | Holland Square body with 10x10 removable cushion foot. 17" travel, universal mount.   |
| <b>LG400B-90</b>  | Holland Square body with 10x10 removable cushion foot. 19" travel, universal mount.   |



#### With SAF-Holland Landing Gear SETS, KITS, GEARSIDE and NONGEAR LEGS:

PUT a 'K' on the end of the part number to get the Gearside and Nongear landing along with a crank handle, brace ears, and cross shaft. **Ex: LG4001-70K**

Put an 'S' on the end to get just the gearside and nongear legs - legs only. **Ex: LG4001-70S**

For a **gearside Atlas 55 or Atlas 65**, put a '2' on the end of the part number. **Ex: LG4001-72**

For a **nongear Atlas 55 or Atlas 65**, put a '1' on the end of the part number. **Ex: LG4001-71**

For a **gearside Mark V**, put a prefix of XA-S8 on the part number. **Ex: XA-S8-1A105**

For a **nongear Mark V**, put a prefix of XA-S9 on the part number. **Ex: XA-S9-1A105**

If you would like a different crank handle than what comes in the kit, many landing gear sets have that option.

**These landing gear have different leg travels and load capacities. This is a listing to let you know what we have in choices of Landing Gear. All of these Landing Gear have more part numbers than the ones listed here, changing the footwear, travel, or capacity. As your landing gear headquarters, we add new legs all the time!**



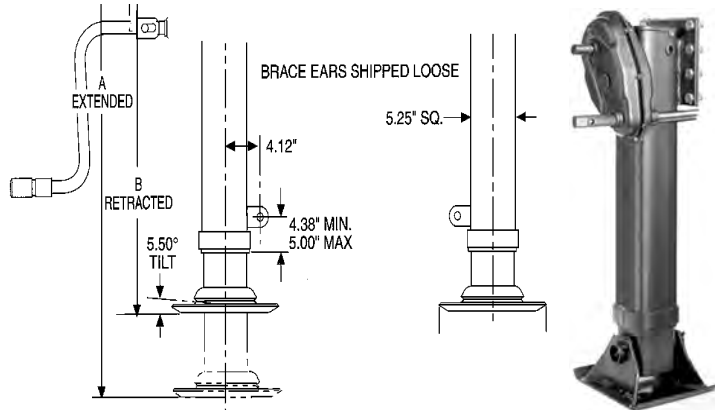
## SAF-HOLLAND MARK V SPECIFICATIONS

LGS - 3 A 1 05 K

| Model No. Description LG Set | Model LGS      | Travel Code  | Mounting Code                       | Axle Type Code   | Footware Code   | Kit Code   |
|------------------------------|----------------|--------------|-------------------------------------|--|---|--|
| 1 Speed Leg<br>2 Speed Leg   | XA-S9<br>XA-S8 | See<br>Below | A: Univ.<br>B: Inside<br>C: Outside | 0: No Axle<br>1: Std Axle<br>2: Heavy Pipe<br>3: Solid | 01: 12" Dia. Self Leveler<br>03: 9" Dia. Wheels<br>05: 4.9" x 12" x 11.5" S/shoe<br>08: Large 5" x 14" x 19" S/shoe14 | 10: No Footware<br>13: 2.5" x 12" x 11.5" Low Profile Sandshoe<br>2.4" x 10" x 11.5" Cush. Ft. |

### Travel Codes

| Travel Code | Travel | Self Leveler |      | Std. Sandshoe |      |
|-------------|--------|--------------|------|---------------|------|
|             |        | A            | B    | A             | B    |
| 0           | 12.5   | 37.0         | 24.5 | 37.8          | 28.4 |
| 1           | 13.5   | 41.8         | 28.3 | 43.6          | 29.1 |
| 2           | 15.0   | 44.8         | 29.8 | 45.6          | 30.6 |
| 3           | 16.5   | 47.8         | 31.3 | 48.6          | 32.1 |
| 4           | 17.6   | 50.0         | 32.4 | 50.8          | 33.2 |
| 5           | 18.8   | 53.3         | 33.6 | 53.1          | 34.4 |



### Specifications

**Gearing:** 2.5 turns to the inch in high gear  
33.8 turns to the inch in low gear.

**Weight:** 199 pounds (Less hardware)

**Certification:** Meets and/or exceeds all TTMA/AAR specifications.

**Lift Capacity:** 62,500 lbs at 100 ft. lbs. of input torque

### Features

**Mount:** Universal mount - fits inside or outside trailer frame. Mounting and turn ratios all match previous Mark V models.

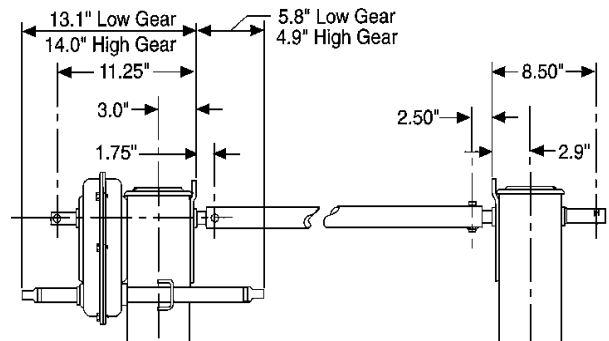
**Lubrication:** Deep grease reservoir in the riser nut insures constant lubrication of the elevating screw.

**Legs:** Upper and lower legs formed from HSLA tubing.

### Load Capacities Per Pair (In lbs.) Mark V Maximum

| Static Load         | Side Load        |
|---------------------|------------------|
| <b>Over 2 Legs*</b> | <b>Capacity*</b> |
| 200,000             | 16,000           |

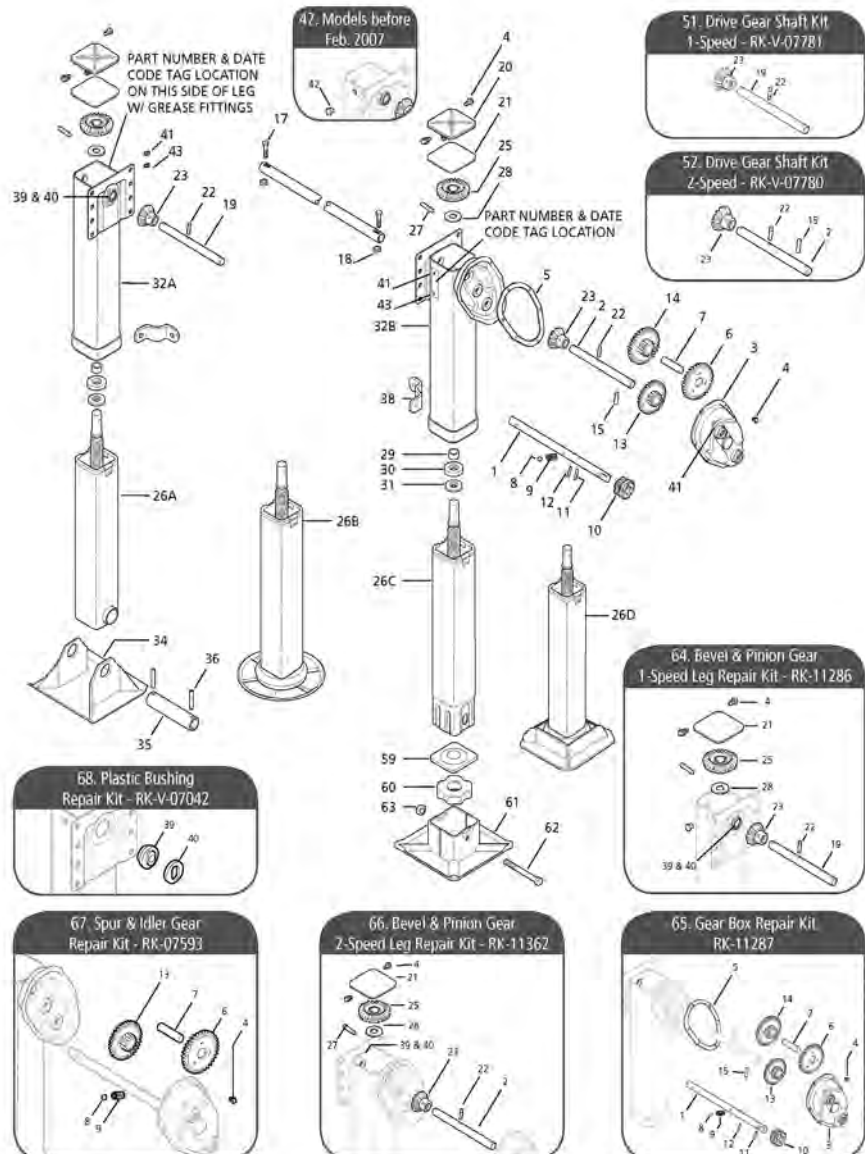
Lift Capacity: 62,500 lbs at 100 ft. lbs. of input torque.





# SAF-HOLLAND MARK V REPLACEMENT PARTS

| NO. | DESCRIPTION                                       | PART NO.         | SPEED |     | NO. | DESCRIPTION                                   | PART NO.       | SPEED |     |
|-----|---|------------------|-------|-----|-----|---|----------------|-------|-----|
|     |   |                  | ONE   | TWO |     |   |                | ONE   | TWO |
| 1   | Shifter Shaft                                     | See Below        | -     | 1   | 41  | Lube Fitting                                  | XB-767         | 1     | 2   |
| 2   | Drive Gear Shaft                                  | See Below        | -     | 1   | 41  | Lube Fitting w/Extension (Not Shown)          | XB-767-L       | 1     | 1   |
| 3   | Gearbox Cover Assembly                            | XA-V-06618       | -     | 1   | 42  | Plastic Plug                                  | XB-01789       | 1     | 1   |
| 4   | Thread Rolling Screw                              | XB-06372         | 2     | 8   | 47  | Crankshaft Bracket (Optional)                 | XA-V-971       | -     | 1   |
| 5   | Gearbox Gasket                                    | XB-V-06621       | -     | 1   | 48  | Crank Hanger (Optional)                       | XB-V-1915      | -     | 1   |
| 6   | Idler Gear  | XA-V-06602       | -     | 1   | 49  | Extension Shaft - Long (Optional) - 15.44"    | XA-V-1916      | -     | 1   |
| 7   | Idler Gear Shaft                                  | XA-V-07085       | -     | 1   | 49  | Extension Shaft - Short (Optional) - 8.94"    | XA-V-1916-1    | -     | 1   |
| 8   | Ball  | XB-BAL-023-01    | -     | 1   | 50  | Crankshaft Coupling (Optional)                | XA-V-630-2     | -     | 1   |
| 9   | Spring  | XB-SFG-020-02    | -     | 1   | 51  | Drive Gear Shaft Kit - 1-Speed                | RK-V-07781     | -     | 1   |
| 10  | Shifter Gear                                      | XA-V-06604-1     | -     | 1   | 52  | Drive Gear Shaft Kit - 2-Speed                | RK-V-07780     | -     | 1   |
| 11  | Pin - .25" x 1.44"                                | XA-CRP-V-06633   | -     | 1   | 53  | Groove Pin - 3/8" x 1.38" (Optional)          | XB-GP-38-138-5 | -     | 2   |
| 12  | Spring Pin - .22" x 1.50"                         | XB-21-5-218-1500 | -     | 1   | 54  | Locknut - 1/4" - 28 (Optional)                | XB-3103        | -     | 2   |
| 13  | Spur Gear   | XA-V-06606       | -     | 1   | 55  | HHCS - 1/4" - 28 x 3" (Optional)              | XB-07618       | -     | 3   |
| 14  | Step Gear   | XA-V-06603       | -     | 1   | 56  | Extension Bracket - Long - 15.56"             | XA-V-07601-1   | -     | 1   |
| 15  | Pin - .38" x 1.5"                                 | XA-CRP-V-06634   | -     | 1   | 56  | Extension Bracket - Short - 9.06"             | XA-V-07601-2   | -     | 1   |
| 17  | HHCS - 3/8" - 16 x 2.00"                          | XB-V-444-4       | 1     | 1   | 57  | Extension Bracket & Shaft Kit - Long - 15.56" | RK-V-07602-1   | -     | 1   |
| 18  | Lock Nut - 3/8" - 16                              | XB-338           | 1     | 1   | 57  | Extension Bracket & Shaft Kit - Short - 9.06" | RK-V-07602-2   | -     | 1   |
| 19  | Bevel Pinion Gear Shaft (Single Speed)            | See Below        | 1     | -   | 58  | Extension Bracket & Shaft Kit - Long - 15.44" | RK-V-1997-1    | -     | 1   |
| 20  | Upper Leg Cover                                   | XA-V-06611       | 1     | 1   | 58  | Extension Bracket & Shaft Kit - short - 8.94" | RK-V-1997-2    | -     | 1   |
| 21  | Gasket  | XB-V-07054       | 1     | 1   | 59  | Cushion Foot Plate                            | LG1829         | 1     | 1   |
| 22  | Groove Pin 3/8" x 1.50"                           | XB-GP-38-1-12-E  | 1     | 1   | 60  | Rubber Cushion                                | XB-LG0713      | 1     | 1   |
| 23  | Bevel Pinion Gear                                 | XA-V-06600       | 1     | 1   | 61  | Removable Cushion Foot                        | XA-V-796-RCF   | 1     | 1   |
| 24  | Shim (As Required) (Not Shown)                    | XB-01977         | 2     | 2   | 62  | Hex Head Screw - 5/8" - 11 x 6" - GR2         | XB-HHC-050-114 | 1     | 1   |
| 25  | Bevel Gear  | XA-V-06601       | 1     | 1   | 63  | Top Lock Nut - 5/8" - 11 - GR-C               | XB-06179-2     | 1     | 1   |
| 26A | Inner Leg & Screw Assy. - 05, 13, 15 or 23 Series | See Below        | 1     | 1   | 64  | Bevel & Pinion Gear Repair Kit                | RK-11286       | 1     | 1   |
| 26A | Inner Leg & Screw Assy. - 312 Series (Not Shown)  | See Below        | 1     | 1   | 65  | Gear Box Repair Kit                           | RK-11287       | -     | 1   |
| 26B | Inner Leg & Screw Assy. - 01 Series               | See Below        | 1     | 1   |     |   |                |       |     |
| 26B | Inner Leg & Screw Assy. - 012 Series (Not Shown)  | See Below        | 1     | 1   |     |   |                |       |     |
| 26C | Inner Leg & Screw Assy. - 24 Series               | See Below        | 1     | 1   |     |   |                |       |     |
| 26D | Inner Leg & Screw Assy. - 014 Series (Not Shown)  | See Below        | 1     | 1   |     |   |                |       |     |
| 27  | Pin - .38" x 2"                                   | XA-CRP-V-06635   | 1     | 1   |     |   |                |       |     |
| 28  | Washer  | XB-V-06632       | 1     | 1   |     |   |                |       |     |
| 29  | Bushing   | XB-V-06630       | 1     | 1   |     |   |                |       |     |
| 30  | Thrust Bearing                                    | XB-V-647         | 1     | 1   |     |   |                |       |     |
| 30  | Thrust Bearing - Heavy Duty                       | XB-V-647-1       | 1     | 1   |     |   |                |       |     |
| 31  | Collar  | XA-V-06629       | 1     | 1   |     |   |                |       |     |
| 32A | Upper Leg - 1-Speed                               | NA               | 1     | -   |     |   |                |       |     |
| 32A | Upper Leg - 1-Speed Heavy Duty (Not Shown)        | NA               | 1     | -   |     |   |                |       |     |
| 32B | Upper Leg - 2-Speed                               | NA               | -     | 1   |     |   |                |       |     |
| 32B | Upper Leg - 2-Speed Heavy Duty (Not Shown)        | NA               | -     | 1   |     |   |                |       |     |
| 34  | Skid Foot - 4.9" x 12" x 11.5"                    | XA-V-796-B-1     | 1     | 1   |     |   |                |       |     |
| 34  | Skid Foot - 2.5" x 12" x 11.5"                    | XA-V-796-L       | 1     | 1   |     |   |                |       |     |
| 34  | Skid Foot - 3.8" x 10" x 11.5"                    | XA-V-796-WS      | 1     | 1   |     |   |                |       |     |
| 34  | Skid Foot 2.4" x 10" x 11.5"                      | XA-V-796-LWS     | 1     | 1   |     |   |                |       |     |
| 34  | Skid Foot - 4" x 12" x 16"                        | XA-HV-796        | 1     | 1   |     |   |                |       |     |
| 35  | Standard Axle                                     | XA-V-1901-1      | 1     | 1   |     |   |                |       |     |
| 35  | Solid Axle  | XA-V-1903-1      | 1     | 1   |     |   |                |       |     |
| 35  | Heavy Pipe Axle                                   | XA-V-1902-1      | 1     | 1   |     |   |                |       |     |
| 36  | Rollpin - 3/8" x 3"                               | XB-21-5-375-3000 | 2     | 2   |     |   |                |       |     |
| 38  | Brace Lug   | XA-V-1938        | 1     | 1   |     |   |                |       |     |
| 39  | Bearing   | XB-LG0559        | 2     | 1   |     |   |                |       |     |
| 40  | Retainer  | XB-LG1570        | 2     | 1   |     |   |                |       |     |



## Inner Leg - Standard Duty Listing

| Item | Description                       | 15.0" Travel     |
|------|-----------------------------------|------------------|
| 26A  | Retract Tube Assy - Axle          | XA-V-06628-202-0 |
| 26B  | Retract Tube Assy - Self Leveling | XA-V-06628-212-1 |
| 26C  | Retract Tube Assy - RCF           | XA-V-06628-222-2 |
| 26D  | Retract Tube Assy - Shockfoot     | XA-V-06628-212-5 |
| Item | Description                       | 16.5" Travel     |
| 26A  | Retract Tube Assy - Axle          | XA-V-06628-303-0 |
| 26B  | Retract Tube Assy - Self Leveling | XA-V-06628-313-1 |
| 26C  | Retract Tube Assy - RCF           | XA-V-06628-323-2 |
| 26D  | Retract Tube Assy - Shockfoot     | XA-V-06628-313-5 |
| Item | Description                       | 17.6" Travel     |
| 26A  | Retract Tube Assy - Axle          | XA-V-06628-404-0 |
| 26B  | Retract Tube Assy - Self Leveling | XA-V-06628-414-1 |
| 26C  | Retract Tube Assy - RCF           | XA-V-06628-413-2 |
| 26D  | Retract Tube Assy - Shockfoot     | XA-V-06628-414-5 |
| Item | Description                       | 18.7" Travel     |
| 26A  | Retract Tube Assy - Axle          | XA-V-06628-505-0 |
| 26B  | Retract Tube Assy - Self Leveling | XA-V-06628-515-1 |
| 26C  | Retract Tube Assy - RCF           | XA-V-06628-514-2 |
| 26D  | Retract Tube Assy - Shockfoot     | XA-V-06628-515-5 |





**SAF-HOLLAND ATLAS 65 SPECIFICATIONS AND DIMENSIONS**

# ATLAS 65™ SPECIFICATIONS



**CAPACITIES**

65,000 lbs. Lift Capacity  
(100 ft./lbs. Input Torque)  
170,000 lbs Load Capacity  
34,000 lbs. Side Load Capacity

**WEIGHT**

176 lbs.  
(17" Travel, Conventional RCF,  
MRL, Reverse Shafts)

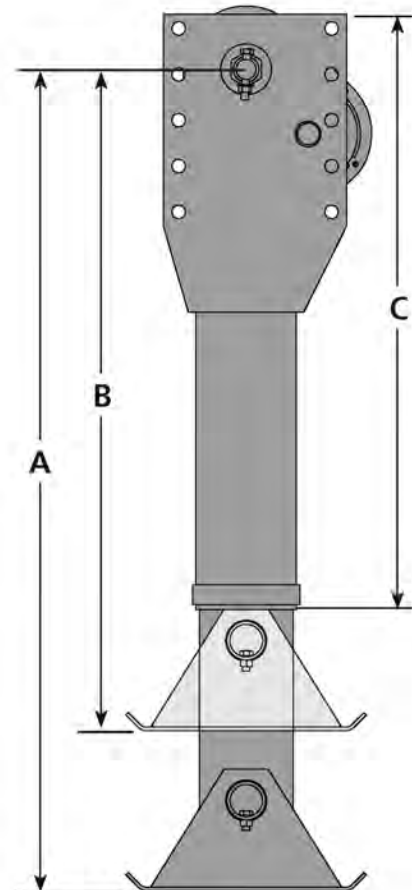
NOTE: Weight measurements  
are less hardware.

**GEARING**

4.5 Turns Per Inch - High Gear  
38.7 Turns per Inch - Low Gear

All tests in accordance with AAR and  
TTMA recommended practice

| DIMENSIONS                    | EXTENDED LENGTH (A) | RETRACTED LENGTH (B) | UPPER LEG (C) |
|-------------------------------|---------------------|----------------------|---------------|
| <b>REMOVABLE CUSHION FOOT</b> |                     |                      |               |
| 15.5" Travel                  | 43.91               | 28.41                | 26.56         |
| 17" MRL Travel                | 46.91               | 29.91                | 28.06         |
| 17" Travel                    | 48.91               | 31.91                | 30.06         |
| 19" Travel                    | 51.54               | 32.54                | 30.06         |
| <b>4.5" SANDSHOE</b>          |                     |                      |               |
| 15.5" Travel                  | 45.35               | 29.85                | 26.56         |
| 17" Travel                    | 48.35               | 31.35                | 28.06         |
| 19" Travel                    | 52.85               | 33.85                | 30.06         |
| <b>2" SANDSHOE</b>            |                     |                      |               |
| 15.5" Travel                  | 42.85               | 27.35                | 26.56         |
| 17" Travel                    | 45.85               | 28.85                | 28.06         |
| 19" Travel                    | 50.35               | 31.35                | 30.06         |
| <b>LOW PROFILE RCF</b>        |                     |                      |               |
| 15.5" Travel                  | 43.90               | 28.40                | 26.56         |
| 17" MRL Travel                | 45.90               | 28.90                | 28.06         |
| 17 Travel                     | 48.90               | 31.90                | 30.06         |
| 19" Travel                    | 51.50               | 32.50                | 30.06         |



MRL = Minimum Retract Length

**ATLAS™ 65 Features:**

- Patented Constant Mesh gear shifting technology
- Exclusive Floating Nut with twinbulkhead design  
- engineered to ensure durable and easy operation for years to come.
- 5-Year standard Performance Guarantee.
- Available with optional BLACK ARMOUR™ protective coating.
- Improved ratings: 65,000 lbs. vertical lift, 34,000 lbs. side load, 170,000 lbs. load capacity.

**How to Identify your Current Landing Gear:**

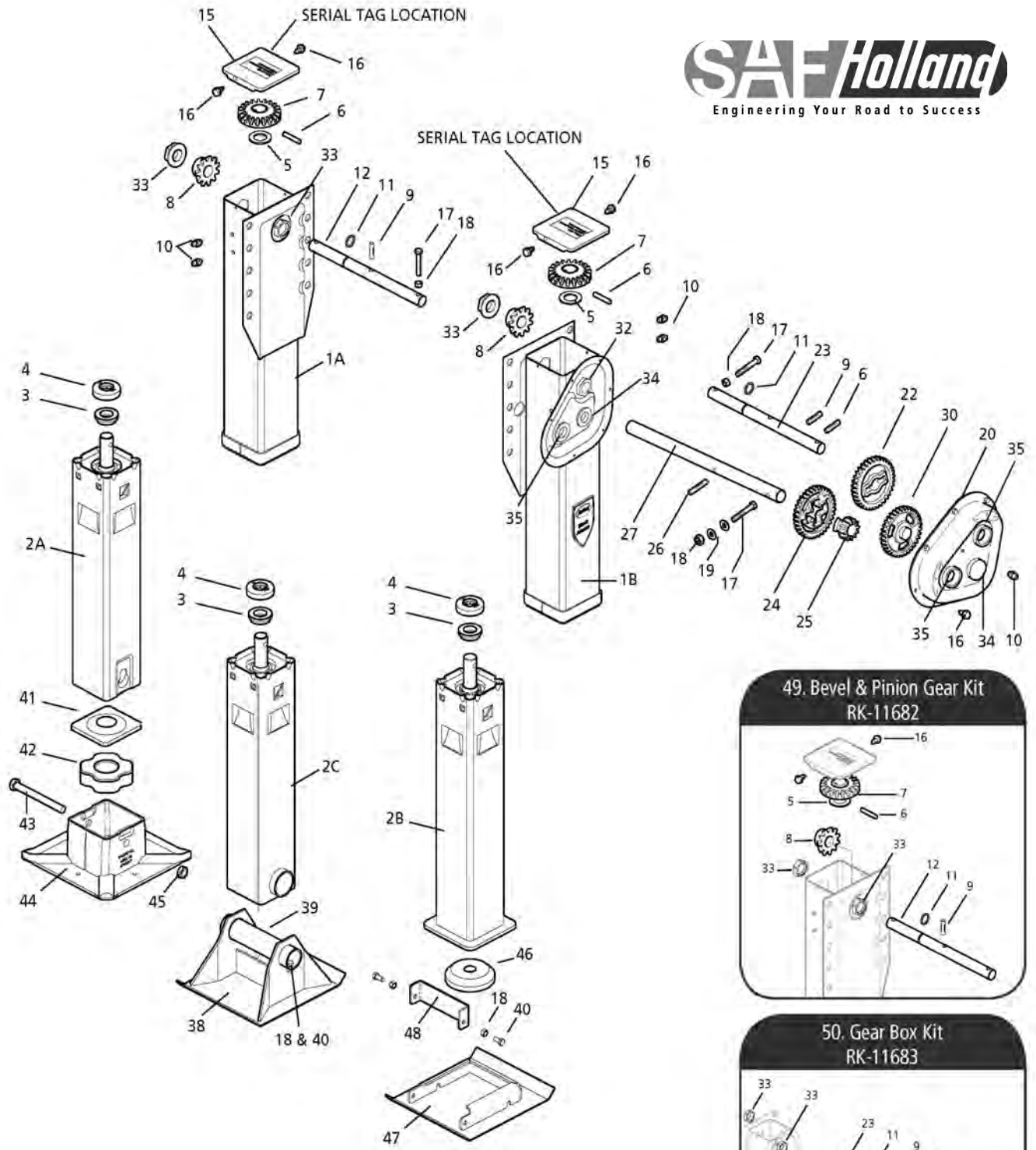
The gearbox thickness between and ATLAS 65™ and 50,000 is different:->

- Atlas™ IS interchangeable with the 50,000 landing gear.





# SAF-HOLLAND ATLAS 65 REPLACEMENT PARTS





**SAF-HOLLAND ATLAS 65 REPLACEMENT PARTS**

| NO. | DESCRIPTION                    | TRAVEL        |               |               |               |               |
|-----|--------------------------------|---------------|---------------|---------------|---------------|---------------|
|     |                                | 13.50"        | 15.50"        | 17"           | 17"*MRL.      | 19"           |
| 2A  | Retract Tube - RCF             | 211120000130  | 211120000140  | 211120000150  | 211120000160  | 211120000170  |
| 2B  | Retract Tube - Low Profile RCF | 2111200002480 | 2111200002490 | 2111200002510 | 2111200002500 | 2111200002520 |
| 2C  | Retract Tube - Axle            | 2111200000230 | 2111200000240 | 2111200000250 | N/A           | 2111200000260 |

| NO. | DESCRIPTION  | PART NO.       | SPEED |     |
|-----|--|----------------|-------|-----|
|     |  |                | ONE   | TWO |
| 1A  | Upper Housing LH   | N/A            | -     | -   |
| 1B  | Upper Housing RH   | N/A            | -     | -   |
| 3   | Collar   | XB-LG0544      | 1     | 1   |
| 4   | Thrust Bearing   | XB-BRG-013-77  | 1     | 1   |
| 5   | Washer - FL 2" OD x 1.19" ID x .13" THK                                    | XB-PW-016-62   | 1     | 1   |
| 6   | Pin - DIA .38" x 2"  | XA-CRP-V-06635 | 1     | 2   |
| 7   | Bevel Gear   | LG2884         | 1     | 1   |
| 8   | Pinion Gear  | LG1823-02      | 1     | 1   |
| 9   | Groove Pin - DIA .38" x 1.50"  | XB-GP-014-18   | 1     | 1   |
| 10  | Ftg - Grease .25"-28 Self Tapping  | XB-GRF-022-16  | 2     | 3   |
| 11  | O-Ring   | XB-RNG-021-13  | 1     | 1   |
| 12  | Jack Shaft LH - Universal Mount  | 2111100000430  | 1     | -   |
|     | - I-Beam Mount - 6.5"  | 2111100000460  | 1     | -   |
|     | - I-Beam Mount - 10"   | 2111100000470  | 1     | -   |
|     | - Conventional Mount   | 2111100000440  | 1     | -   |
|     | - Reverse Mount  | 2111100000450  | 1     | -   |
| 15  | Top Cover  | 2111100000530  | 1     | 1   |
| 16  | Self-Tapping Screw .25"-20 x .5" Lg  | XB-STS-008-11  | 2     | 9   |
| 17  | Screw, Hex Cap .38"-16 x 2.25" Lg GR5                                      | XB-HHC-050-42  | 1     | 2   |
| 18  | Self-Locking Nut .38"-16 - Sandshoe  | XB-SLN-012-04  | 3     | 4   |
|     | - Low Profile RCF  | XB-SLN-012-04  | 3     | 4   |
| 19  | Washer .38" Std Type A   | XB-PW-016-03   | -     | 2   |
| 20  | Gearbox Half, Outside w/Hole for Grease Fitting                            | LG2996         | -     | 1   |
|     | Includes: (1) Idler Shaft Bushing - #34<br>(2) Boss Bearing - Sealed - #35 | -              | -     | -   |
| 22  | Output Gear  | LG2980         | -     | 1   |
| 23  | Jackshaft RH - Universal Mount   | 2111100000480  | -     | 1   |
|     | - I-Beam Mount - 6.5" Shaft  | 2111100000510  | -     | 1   |
|     | - I-Beam Mount - 10.0" Shaft   | 2111100000520  | -     | 1   |
|     | - Conventional Mount   | 2111100000490  | -     | 1   |
|     | - Reverse Mount  | 2111100000500  | -     | 1   |
| 24  | Input Gear - High  | LG2968         | -     | 1   |
| 25  | Input Gear - Low   | LG2969         | -     | 1   |
| 26  | Groove Pin, Type E DIA .38" x 2.00" Lg                                     | XB-GP-052-21   | -     | 1   |
|     | Shift Shaft - Universal  | LG3011-01      | -     | 1   |
|     | - I-Beam & Conventional  | LG3011-02      | -     | 1   |
| 27  | - Reverse  | LG3011-03      | -     | 1   |

| NO.                    | DESCRIPTION  | PART NO.      | SPEED |     |
|------------------------|--|---------------|-------|-----|
|                        |  |               | ONE   | TWO |
| 30                     | Idler Gear   | LG2975        | -     | 1   |
| 32                     | Hex Lock Boss  | 2022100000190 | -     | 1   |
| 33                     | Hex Lock Boss - Sealed                                 | 2022300000020 | 2     | 1   |
| 34                     | Idler Shaft Bushing                                    | LG3005        | -     | 2   |
| 35                     | Boss Bearing - Sealed                                  | LG0659-10     | -     | 3   |
|                        | Sandshoe - 10" x 10" x 2.00"                           | LG0056        | 1     | 1   |
|                        | - 10" x 12" x 2.00"                                    | LG0051        | 1     | 1   |
|                        | - 12" x 12" x 2.00"                                    | LG0122        | 1     | 1   |
|                        | - 10" x 10" x 2.00" HD                                 | LG0056-02     | 1     | 1   |
|                        | - 10" x 10" x 4.50"                                    | LG0055        | 1     | 1   |
|                        | - 10" x 12" x 4.50"                                    | LG0050        | 1     | 1   |
|                        | - 12" x 12" x 4.50"                                    | LG0065-04     | 1     | 1   |
|                        | - 16" x 16" x 4.50"                                    | LG1815-05     | 1     | 1   |
|                        | - 10" x 10" x 4.50" HD                                 | LG0055-01     | 1     | 1   |
|                        | - 10" x 12" x 4.50" HD                                 | LG0065        | 1     | 1   |
|                        | - 12" x 12" x 4.50" HD                                 | LG0065-01     | 1     | 1   |
| - 12" x 17" x 4.50" HD | LG0065-02  | 1             | 1     |     |
| 39                     | Sandshoe Axle - Hollow Axle 8.50" Lg                   | LG0070-02     | 1     | 1   |
| 40                     | Screw, Hex Cap .38"-16 x .75" Lg GR5 - Sandshoe        | XB-HHC-050-69 | 2     | 2   |
|                        | Screw, Hex Cap .38"-16 x .75" Lg GR5 - Low Profile RCF | XB-HHC-050-69 | 2     | 2   |
| 41                     | Cushion Foot Plate                                     | 2034160000150 | 1     | 1   |
| 42                     | Cushion Foot Rubber                                    | XB-LG0713     | 1     | 1   |
| 43                     | Bolt - Hex Head .63" -11 x 6.00"                       | XB-HHB-050-58 | 1     | 1   |
| 44                     | R.C.F. - 10" x 10"                                     | 2034200000170 | 1     | 1   |
| 45                     | Self-Locking Nut - .63"-11"                            | XB-SP0012-10  | 1     | 1   |
| 46                     | Cushion Foot Pad - Low Profile R.C.F.                  | 728003        | 1     | 1   |
| 47                     | Low Profile R.C.F.                                     | 730640        | 1     | 1   |
| 48                     | Interchangeable Strap                                  | 730638        | 1     | 1   |
| 49                     | Bevel & Pinion Gear Repair Kit                         | RK-11682      | 1     | 1   |
| 50                     | Gear Box Repair Kit                                    | RK-11683      | -     | 1   |
| 51                     | Black Armour™ Touchup Kit (not shown)                  | RK-10919      | 1     | 1   |







## SAF-HOLLAND ATLAS 55 SPECIFICATIONS AND DIMENSIONS

# ATLAS 55™ SPECIFICATIONS

**CAPACITIES**

55,000 lbs. Lift Capacity  
(100 ft./lbs. Input Torque)  
170,000 lbs. Load Capacity  
30,000 lbs. Side Load Capacity

**WEIGHT**

150 lbs.  
(17" Travel, Conventional RCF,  
MRL, Reverse Shafts)

NOTE: Weight measurements  
are less hardware.

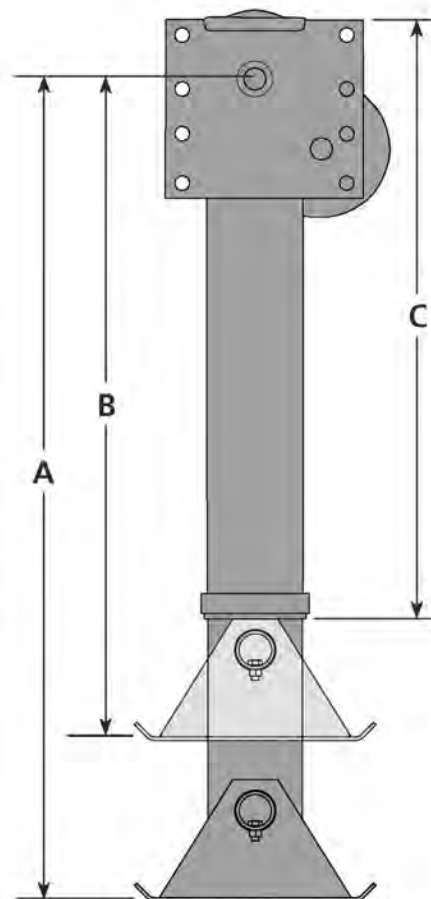
**GEARING**

4.5 Turns Per Inch - High Gear  
38.7 Turns per Inch - Low Gear

All tests in accordance with AAR and  
TTMA recommended practice

| DIMENSIONS                    | EXTENDED LENGTH (A) | RETRACTED LENGTH (B) | UPPER LEG (C) |
|-------------------------------|---------------------|----------------------|---------------|
| <b>REMOVABLE CUSHION FOOT</b> |                     |                      |               |
| 15.5" Travel                  | 43.75               | 28.25                | 26.56         |
| 17" MRL Travel                | 46.75               | 29.75                | 28.06         |
| 17" Travel                    | 48.75               | 31.75                | 30.06         |
| 19" Travel                    | 51.38               | 32.38                | 30.06         |
| <b>4.5" SANDSHOE</b>          |                     |                      |               |
| 15.5" Travel                  | 45.19               | 29.69                | 26.56         |
| 17" Travel                    | 48.19               | 31.19                | 28.06         |
| 19" Travel                    | 52.69               | 33.69                | 30.06         |
| <b>2" SANDSHOE</b>            |                     |                      |               |
| 15.5" Travel                  | 42.69               | 27.19                | 26.56         |
| 17" Travel                    | 45.69               | 28.69                | 28.06         |
| 19" Travel                    | 50.19               | 31.19                | 30.06         |
| <b>LOW PROFILE RCF</b>        |                     |                      |               |
| 15.5" Travel                  | 43.74               | 28.24                | 26.56         |
| 17" MRL Travel                | 45.74               | 28.74                | 28.06         |
| 17 Travel                     | 48.74               | 31.74                | 30.06         |
| 19" Travel                    | 51.34               | 32.34                | 30.06         |

MRL = Minimum Retract Length

**ATLAS™ 55 Features:****EASY OPERATION**

Constant Mesh Gearbox Design Provides Trouble-Free Shifting

Reduced Weight with Increased Structural Integrity

Specially Designed Shaft Seals Within Gearbox and Upper Housing Keep Water Out

High-Strength Ductile Iron Gears

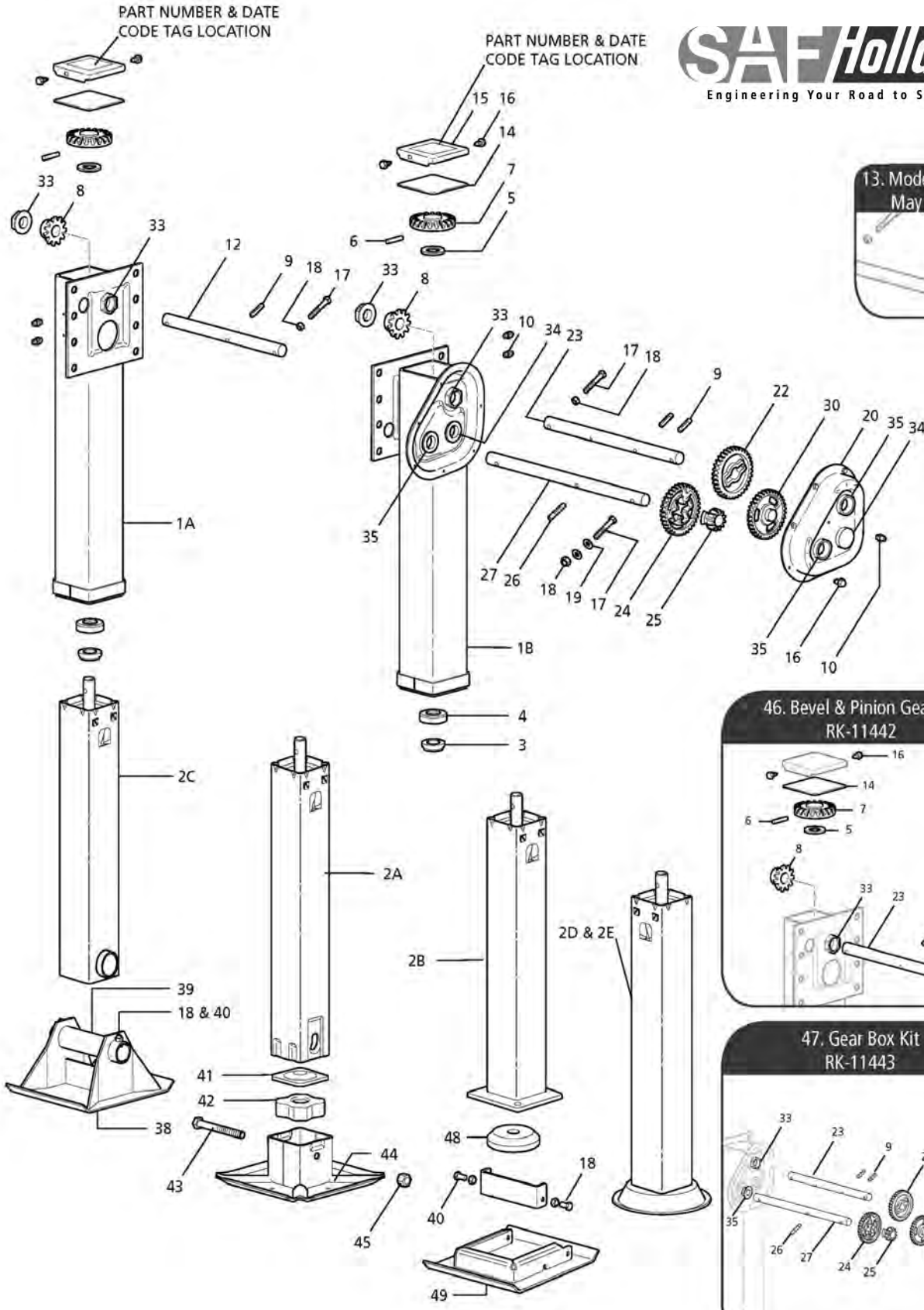
Standard 5-Year Performance Guarantee







**SAF-HOLLAND ATLAS 55 REPLACEMENT PARTS**





## SAF-HOLLAND ATLAS 55 REPLACEMENT PARTS

| NO. | DESCRIPTION                      | RETRACT TUBE CODE | TRAVEL    |           |           |           |           |
|-----|----------------------------------|-------------------|-----------|-----------|-----------|-----------|-----------|
|     |                                  |                   | 13.50"    | 15.50"    | 17"       | 17" *CAN. | 19"       |
| 2A  | Retract Tube - RCF               | 0 or 5 (MRL)      | LG3053-01 | LG3053-02 | LG3053-03 | LG3053-04 | LG3053-05 |
| 2B  | Retract Tube - Low Profile RCF   | 0                 | LG3097-01 | LG3097-02 | LG3097-03 | N/A       | NA        |
| 2C  | Retract Tube - Axle              | 0                 | LG3012-01 | LG3012-02 | LG3012-03 | N/A       | LG3012-04 |
| 2D  | Retract Tube - Shockfoot 10" DIA | 0 or *6 (Can)     | LG3061-02 | LG3061-03 | LG3061-04 | LG3061-07 | LG3061-13 |
| 2E  | Retract Tube - Shockfoot 12" DIA | 0 or *6 (Can)     | LG3061-01 | N/A       | LG3061-05 | LG3061-08 | LG3061-14 |

| NO. | DESCRIPTION                                     | PART NO.       | SPEED |     |
|-----|---|----------------|-------|-----|
|     |   |                | ONE   | TWO |
| 1A  | Upper Housing LH                                | N/A            | -     | -   |
| 1B  | Upper Housing RH                                | N/A            | -     | -   |
| 3   | Collar  | XB-LG0544      | 1     | 1   |
| 4   | Thrust Bearing                                  | XB-BRG-013-77  | 1     | 1   |
| 5   | Washer - FL 2" OD x 1.19" ID x .13" THK         | XB-PW-016-62   | 1     | 1   |
| 6   | Pin - DIA .38" x 2"                             | XA-CRP-V-06635 | 1     | 1   |
| 7   | Bevel Gear                                      | LG2884         | 1     | 1   |
| 8   | Pinion Gear                                     | LG1823-02      | 1     | 1   |
| 9   | Groove Pin - DIA .38" x 1.50"                   | XB-GP-014-18   | 1     | 2   |
| 10  | Ftg - Grease .25"-28 Self Tapping               | XB-GRF-022-16  | 2     | 3   |
| 12  | Jack Shaft LH - Universal Mount                 | LG2964-01      | 1     | -   |
|     | - I-Beam Mount                                  | LG2964-04      | 1     | -   |
|     | - Conventional Mount                            | LG2964-02      | 1     | -   |
|     | - Reverse Mount                                 | LG2964-03      | 1     | -   |
| 13  | Pin - Spring DIA .25" x 1.5" (Not Required)     | N/A            | -     | -   |
| 14  | Cover Gasket                                    | XB-LG0893      | 1     | 1   |
| 15  | Top Cover                                       | XA-LG0880      | 1     | 1   |
| 16  | Self-Tapping Screw .25"-20 x .5" Lg             | XB-ST5-008-11  | 2     | 9   |
| 17  | Screw, Hex Cap .38"-16 x 2.25" Lg GR5           | XB-HHC-050-42  | 1     | 2   |
| 18  | Self-Locking Nut .38"-16 - Sandshoe             | XB-SLN-012-04  | 2     | 3   |
|     | - Low Profile RCF                               | XB-SLN-012-04  | 4     | 5   |
| 19  | Washer .38" Std Type A                          | XB-PW-016-03   | -     | 2   |
| 20  | Gearbox Half, Outside w/Hole for Grease Fitting | LG2996         | -     | 1   |
| 22  | Output Gear                                     | LG2980         | -     | 1   |
| 23  | Jackshaft RH - Universal Mount                  | LG2963-01      | -     | 1   |
|     | - I-Beam Mount                                  | LG2963-04      | -     | 1   |
|     | - Conventional Mount                            | LG2963-02      | -     | 1   |
|     | - Reverse Mount                                 | LG2963-03      | -     | 1   |
| 24  | Input Gear - High                               | LG2968         | -     | 1   |
| 25  | Input Gear - Low                                | LG2969         | -     | 1   |
| 26  | Groove Pin, Type E DIA .38" x 2.00" Lg          | XB-GP-052-21   | -     | 1   |
| 27  | Shift Shaft - Universal                         | LG3011-01      | -     | 1   |
|     | - I-Beam & Conventional                         | LG3011-02      | -     | 1   |
|     | - Reverse                                       | LG3011-03      | -     | 1   |
| 30  | Idler Gear                                      | LG2975         | -     | 1   |
| 33  | Hex Lock Boss                                   | LG2926         | 2     | 2   |
| 34  | Output Shaft Bushing                            | LG3005         | -     | 2   |
| 35  | Boss Bearing - Sealed                           | LG0659-10      | -     | 3   |

| NO. | DESCRIPTION  | PART NO.      | SPEED |     |
|-----|--|---------------|-------|-----|
|     |  |               | ONE   | TWO |
| 38  | Sandshoe - 10" x 10" x 4.50"                           | 50616001      | 1     | 1   |
|     | - 10" x 12" x 4.50"                                    | 50616000      | 1     | 1   |
|     | - 10" x 10" x 2.00"                                    | 50616008      | 1     | 1   |
|     | - 10" x 12" x 2.00"                                    | 50616007      | 1     | 1   |
| 39  | Sandshoe Axle - Hollow Axle 8.50" Lg                   | LG0070-02     | 1     | 1   |
| 40  | Screw, Hex Cap .38"-16 x .75" Lg GR5 - Sandshoe        | XB-HHC-050-69 | 1     | 1   |
|     | Screw, Hex Cap .38"-16 x .75" Lg GR5 - Low Profile RCF | XB-HHC-050-69 | 2     | 2   |
| 41  | Cushion Foot Plate                                     | LG0725        | 1     | 1   |
| 42  | Cushion Foot Rubber                                    | XB-LG0726     | 1     | 1   |
| 43  | Bolt - Hex Head .63" -11 x 5.50"                       | XB-HHB-050-70 | 1     | 1   |
| 44  | R.C.F. - DIA 10"                                       | LG0718-01     | 1     | 1   |
|     | - DIA 12"  | LG0740-01     | 1     | 1   |
|     | - 10" x 10"  | LG0732-01     | 1     | 1   |
| 45  | Self-Locking Nut - .63"-11"                            | XB-SP0012-10  | 1     | 1   |
| 46  | Bevel & Pinion Gear Repair Kit                         | RK-11442      | 1     | 1   |
| 47  | Gear Box Repair Kit                                    | RK-11443      | -     | 1   |
| 48  | Cushion Foot Pad - Low Profile RCF                     | 728003        | 1     | 1   |
| 49  | Interchangeable Collar - Low Profile RCF               | 730639        | 1     | 1   |
| 50  | Black Armour™ Touchup Kit (not shown)                  | RK-10919      | 1     | 1   |





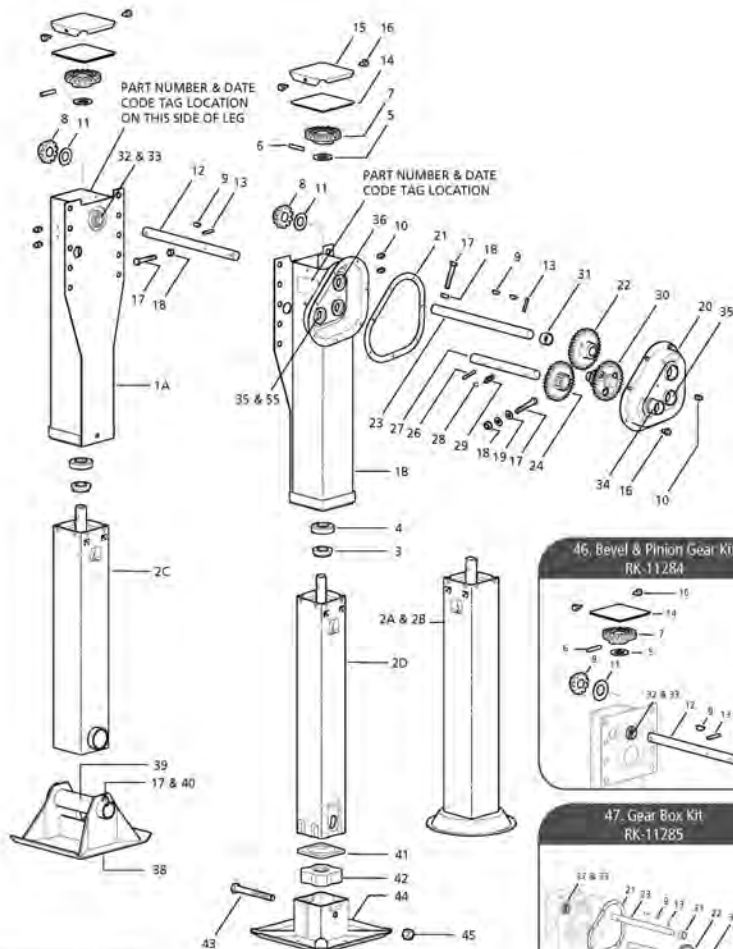
## SAF-HOLLAND MODEL 50,000 REPLACEMENT PARTS

| NO. | DESCRIPTION                             | RETRACT TUBE CODE | TRAVEL    |           |            |           |            |
|-----|---|-------------------|-----------|-----------|------------|-----------|------------|
|     |   |                   | 13.50"    | 15.50"    | 17"        | 17" * CAN | 19"        |
| 2A  | Retract Tube Ass'y - DIA 10" Shock Foot | 0 or *6           | LG0569-02 | N/A       | LG0569     | LG0569-01 | LG0569-04  |
| 2B  | Retract Tube Ass'y - DIA 12" Shock Foot | 0 or *6           | LG0580-01 | N/A       | LG0580-02  | LG0580-05 | LG0580-03  |
| 2C  | Retract Tube Ass'y - Axle Socket        | 0                 | LG0574-01 | LG0574-05 | LG0574-02  | N/A       | LG0574-04  |
| 2D  | Retract Tube Ass'y - RCF                | 0 or 5            | N/A       | N/A       | LG0747-504 | N/A       | LG0747-505 |



| NO. | DESCRIPTION                                     | PART NO.       | SPEED |     |
|-----|---|----------------|-------|-----|
|     |   |                | ONE   | TWO |
| 1A  | Upper Housing LH                                | N/A            | -     | -   |
| 1B  | Upper Housing RH                                | N/A            | -     | -   |
| 3   | Collar  | XB-LG0544      | 1     | 1   |
| 4   | Thrust Bearing                                  | XB-BRG-013-77  | 1     | 1   |
| 5   | Washer - FL 2" OD x 1.19" ID x .13" THK         | XB-PW-016-62   | 1     | 1   |
| 6   | Pin - DIA .38" x 2"                             | XB-CRP-V-06635 | 1     | 1   |
| 7   | Bevel Gear                                      | XA-LG0570-01   | 1     | 1   |
| 8   | Pinion Gear                                     | LG0531-02      | 1     | 1   |
| 9   | Key - Woodruff .25" x .88"                      | XB-KEY-018-02  | 1     | 2   |
| 10  | Ftg - Grease .25"-28 Self Tapping               | XB-GRF-022-16  | 2     | 3   |
| 11  | Washer - Fl 1.88" OD x 1.02" ID x .06" THK      | XB-PW-016-19   | 1     | 1   |
| 12  | Jack Shaft LH - Universal Mount                 | LG0259         | 1     | -   |
|     | - I-Beam Mount                                  | LG0369-01      | 1     | -   |
|     | - Conventional Mount                            | LG0369-05      | 1     | -   |
|     | - Reverse Mount                                 | LG0436         | 1     | -   |
| 13  | Pin - Spring DIA .25" x 1.5"                    | XB-SP-014-27   | 1     | 1   |
| 14  | Gasket  | XB-LG0413      | 1     | 1   |
| 15  | Cover   | LG0264         | 1     | 1   |
| 16  | Self-Tapping Screw - .25"-20 x .5" Lg           | XB-STS-008-11  | 2     | 9   |
| 17  | Screw - Hex Hd .38"-16 x 2.25" Gr5              | XB-HHC-050-42  | 1     | 2   |
| 18  | Self-Locking Nut - .38"-16                      | XB-SLN-012-04  | 2     | 3   |
| 19  | Washer - .38" Std. Type A                       | XB-PW-016-03   | -     | 2   |
| 20  | Gearbox Half, Outside w/Hole for Grease Fitting | XB-LG0663      | -     | 1   |
| 20  | Gearbox Half, Outside w/Grease Fitting Included | LG0663         | -     | 1   |
| 21  | Gearbox Gasket                                  | XB-LG0428      | -     | 1   |
| 22  | Output Gear                                     | LG0543-01      | -     | 1   |
| 23  | Jackshaft RH - Universal Mount                  | LG0260         | -     | 1   |
|     | - I-Beam Standard Mount                         | LG0370-01      | -     | 1   |
|     | - Conventional Mount                            | LG0370-05      | -     | 1   |
|     | - Reverse Mount                                 | LG0438         | -     | 1   |
| 24  | Input Gear - High & Low                         | LG0541-01      | -     | 1   |
| 26  | Groove Pin - .25" x 1.50" Lg Type E             | XB-GP-014-07   | -     | 1   |
| 27  | Shift Shaft - Universal Mount                   | LG0261-01      | -     | 1   |
|     | - I-Beam & Conventional Mount                   | LG0371-01      | -     | 1   |
|     | - Reverse Mount                                 | LG0437         | -     | 1   |
| 28  | Shift Lock Ball                                 | XB-BAL-023-07  | -     | 1   |
| 29  | Shift Lock Spring                               | XB-SPG-020-36  | -     | 1   |
| 30  | Idler Gear                                      | XB-LG0542-01   | -     | 1   |
| 31  | Spacer Bushing                                  | XB-LG0219-01   | -     | 1   |
| 32  | Retainer - Hex Lock                             | LG2094         | 2     | 1   |
| 33  | Hex Lock Boss                                   | LG2095         | 2     | 1   |
| 34  | Shift Lock Boss                                 | XB-LG0658-01   | -     | 1   |
| 35  | Gearbox Boss                                    | XB-LG0659-01   | -     | 4   |
| 36  | Gearbox Boss - Inside Half                      | XB-LG0660      | -     | 1   |

| NO. | DESCRIPTION                           | PART NO.      | SPEED |     |
|-----|---------------------------------------|---------------|-------|-----|
|     |                                       |               | ONE   | TWO |
| 38  | Sandshoe - 10" x 10" x 4.50"          | 50616001      | 1     | 1   |
|     | - 10" x 12" x 4.50"                   | 50616000      | 1     | 1   |
|     | - 10" x 10" x 2.00"                   | 50616008      | 1     | 1   |
|     | - 10" x 12" x 2.00"                   | 50616007      | 1     | 1   |
| 39  | Sandshoe Axle - Hollow Axle 8.50" Lg  | LG0070-02     | 1     | 1   |
| 40  | Screw - Hex Cap .38"-16 x .25" Gr5    | XB-HHC-050-69 | 1     | 1   |
| 41  | Cushion Foot Plate                    | LG0725        | 1     | 1   |
| 42  | Cushion Foot Rubber                   | XB-LG0726     | 1     | 1   |
| 43  | Bolt - Hex Head .63"-11 x 5.50"       | XB-HHB-050-70 | 1     | 1   |
| 44  | R.C.F. - 10" x 10"                    | LG0732-01     | 1     | 1   |
| 45  | Self-Locking Nut - .63"-11            | XB-SP0012-10  | 1     | 1   |
| 46  | Bevel & Pinion Gear Repair Kit        | RK-11284      | 1     | 1   |
| 47  | Gear Box Repair Kit                   | RK-11285      | -     | 1   |
| 48  | Black Armour™ Touchup Kit (not shown) | RK-10919      | 1     | 1   |



**DISCONTINUED MODEL SERVICE PARTS ONLY**  
As of 03/2012 50000 model legs were replaced with the ATLAS 65 model

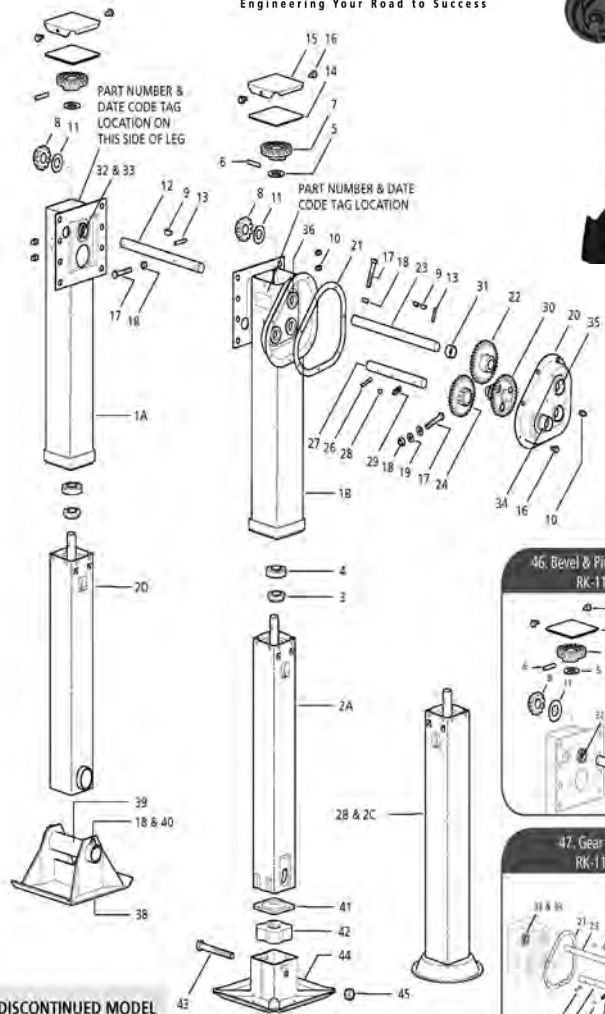




## SAF-HOLLAND MODEL 51,000 REPLACEMENT PARTS

| NO. | DESCRIPTION                                      | PART NO.       | SPEED |     |
|-----|--|----------------|-------|-----|
|     |  |                | ONE   | TWO |
| 1A  | Upper Housing LH                                 | N/A            | 1     | -   |
| 1B  | Upper Housing RH                                 | N/A            | -     | 1   |
| 2A  | Retract Tube - RCF                               | N/A            | 1     | 1   |
| 2B  | Retract Tube - 10" Shockfoot                     | N/A            | 1     | 1   |
| 2C  | Retract Tube - 12" Shockfoot                     | N/A            | 1     | 1   |
| 2D  | Retract Tube - Axle                              | N/A            | 1     | 1   |
| 3   | Collar   | XB-LG0544      | 1     | 1   |
| 4   | Thrust Bearing                                   | XB-BRG-013-77  | 1     | 1   |
| 5   | Washer - FL 2" OD x 1.19" ID x .13" THK          | XB-PW-016-62   | 1     | 1   |
| 6   | Pin - DIA .38" x 2"                              | XA-CRP-V-06635 | 1     | 1   |
| 7   | Bevel Gear                                       | XA-LG0570-01   | 1     | 1   |
| 8   | Pinion Gear                                      | XB-LG1823-01   | 1     | 1   |
| 9   | Key - Woodruff .25" x .88"                       | XB-KEY-018-02  | 1     | 2   |
| 10  | Ftg - Grease .25"-28 Self Tapping                | XB-GRF-022-16  | 2     | 3   |
| 11  | Washer - Fl 1.8" OD x 1.01" ID x .06" THK        | XB-PW-016-19   | 1     | 1   |
| 12  | Jack Shaft LH - Universal Mount                  | LG0927         | 1     | -   |
|     | - I-Beam Mount                                   | LG0946         | 1     | -   |
|     | - Conventional Mount                             | LG0946-02      | 1     | -   |
|     | - Reverse Mount                                  | LG0948         | 1     | -   |
| 13  | Pin - Spring DIA .25" x 1.5"                     | XB-SP-014-27   | 1     | 1   |
| 14  | Gasket   | XB-LG0893      | 1     | 1   |
| 15  | Cover  | XA-LG0880      | 1     | 1   |
| 16  | Self-Tapping Screw .25"-20 x .5" Lg              | XB-ST5-008-11  | 2     | 9   |
| 17  | Screw, Hex Cap .38"-16 x 2.25" Lg GR5            | XB-HHC-050-42  | 1     | 2   |
| 18  | Self-Locking Nut .38"-16                         | XB-SLN-012-04  | 2     | 3   |
| 19  | Washer .38" Std Type A                           | XB-PW-016-03   | -     | 2   |
| 20  | Gearbox Half - Outside w/Hole for Grease Fitting | LG0663         | -     | 1   |
|     | - Outside w/Grease Fitting Included              | XB-LG0663      | -     | 1   |
| 21  | Gearbox Gasket                                   | XB-LG0428      | -     | 1   |
| 22  | Output Gear                                      | LG0543-01      | -     | 1   |
| 23  | Jackshaft RH - Universal                         | LG0928         | -     | 1   |
|     | - I-Beam Mount                                   | LG0947         | -     | 1   |
|     | - Conventional Mount                             | LG0947-02      | -     | 1   |
|     | - Reverse Mount                                  | LG0949         | -     | 1   |
| 24  | Input Gear- High & Low                           | LG0541-01      | -     | 1   |
| 26  | Groove Pin, Type E DIA .25" x 1.50" Lg           | XB-GP-014-07   | -     | 1   |
| 27  | Shift Shaft - Universal Mount                    | LG0261-01      | -     | 1   |
|     | - I-Beam & Conventional Mount                    | LG0371-01      | -     | 1   |
|     | - Reverse Mount                                  | LG0437         | -     | 1   |
| 28  | Shift Lock Ball                                  | XB-BAL-023-07  | -     | 1   |
| 29  | Shift Lock Spring                                | XB-SPG-020-36  | -     | 1   |
| 30  | Idler Gear                                       | XB-LG0542-01   | -     | 1   |
| 31  | Spacer Bushing                                   | XB-LG0219-01   | -     | 1   |
| 32  | Retainer, Hex Lock                               | LG2094         | 2     | 1   |
| 33  | Hex Lock Boss                                    | LG2095         | 2     | 1   |
| 34  | Shift Lock Boss                                  | XB-LG0658-01   | -     | 1   |
| 35  | Gearbox Boss                                     | XB-LG0659-01   | -     | 4   |
| 36  | Gearbox Boss, Inside Half                        | XB-LG0660      | -     | 1   |

| NO. | DESCRIPTION                          | PART NO.                   | SPEED        |     |
|-----|--------------------------------------|----------------------------|--------------|-----|
|     |                                      |                            | ONE          | TWO |
| 38  | Sandshoe - 10" x 10" x 4.50"         | 50616001                   | 1            | 1   |
|     | - 10" x 12" x 4.50"                  | 50616000                   | 1            | 1   |
|     | - 10" x 10" x 2.00"                  | 50616008                   | 1            | 1   |
|     | - 10" x 12" x 2.00"                  | 50616007                   | 1            | 1   |
| 39  | Sandshoe Axle - Hollow Axle 8.50" Lg | LG0070-02                  | 1            | 1   |
| 40  | Screw, Hex Cap .38"-16 x .75" Lg GR5 | XB-HHC-050-69              | 1            | 1   |
| 41  | Cushion Foot Plate                   | LG0725                     | 1            | 1   |
| 42  | Cushion Foot Rubber                  | XB-LG0726                  | 1            | 1   |
| 43  | Bolt - Hex Head .63" -11 x 5.50"     | XB-HHB-050-70              | 1            | 1   |
|     | R.C.F. - DIA 10"                     | LG0718-01                  | 1            | 1   |
|     | - DIA 12"                            | LG0740-01                  | 1            | 1   |
| 44  | - 10" x 10"                          | LG0732-01                  | 1            | 1   |
|     | 45                                   | Self-Locking Nut - .63"-11 | XB-SP0012-10 | 1   |
| 46  | Bevel & Pinion Gear Repair Kit       | RK-11288                   | 1            | 1   |
| 47  | Gear Box Repair Kit                  | RK-11289                   | -            | 1   |



**DISCONTINUED MODEL SERVICE PARTS ONLY**  
As of 09/2010  
51000 model legs were replaced with the ATLAS 55 model.





## LANDING GEAR LISTING - JOST

### JOST LANDING GEAR

#### A400 Outside Mount

# JOST

##### Part No. Description

- A400-G-17** Jost Square body with 10x10 cushion-foot shoe. 17" travel, outside mount.
- A400-G-19** Jost Square body with 10x10 cushion-foot shoe. 19" travel, outside mount.
- A400-G3-17** Jost Square body with 10x10 lo-pro cushion-foot shoe. 17" travel, outside mount.
- A400-G3-19** Jost Square body with 10x10 lo-pro cushion-foot shoe. 19" travel, outside mount.
- A400-T-17** Jost Square body with 4.5" tall 10x10 sand shoe. 17" travel, outside mount.
- A400-T-19** Jost Square body with 4.5" tall 10x10 sand shoe. 19" travel, outside mount.



#### A401 Inside Mount

- A401-G-17** Jost Square body with 10x10 cushion-foot shoe. 17" travel, inside mount.
- A401-G3-17** Jost Square body with 10x10 lo-pro cushion-foot shoe. 17" travel, inside mount.
- A401-T-14** Jost Square body with 4.5" tall 10x10 sand shoe. 14" travel, inside mount.
- A401-T-17** Jost Square body with 4.5" tall 10x10 sand shoe. 17" travel, inside mount.
- A401-T-19** Jost Square body with 4.5" tall 10x10 sand shoe. 19" travel, inside mount.
- A401-T1-17** Jost Square body with 2" tall 10x10 sand shoe. 17" travel, inside mount.



#### A441 Inside Mount

- A441-G3-17** Jost Square body with 10x10 lo-pro cushion-foot shoe. 17" travel, inside mount.(Magnum!)

#### L300

- L300-T-17** Jost Square body with 4.5" tall 10x10 sand shoe. 17" travel, outside mount.

**HA Series - Aluminum Legs, Available as Special Order.**



#### With JOST Landing Gear SETS, KITS, GEARSIDE and NONGEAR LEGS:

PUT a 'K' on the end of the part number to get the Gearside and Nongear landing along with a crank handle, brace ears, and cross shaft. **Ex: A400-T-17K**

Put an 'S' on the end to get just the gearside and nongear legs - legs only. **Ex: A400-T-17S**

For a **gearside leg**, put a 'RH' on the end of the part number. **Ex: A400-T-17RH**

For a **nongear leg**, put a 'LH' on the end of the part number. **Ex: LG4001-71LH**

If you would like a different crank handle than what comes in the kit, many landing gear sets have that option.

**These landing gear have different leg travels and load capacities. This is a listing to let you know what we have in choices of Landing Gear. All of these Landing Gear have more part numbers than the ones listed here, changing the footwear, travel, or capacity. As your landing gear headquarters, we add new legs all the time!**

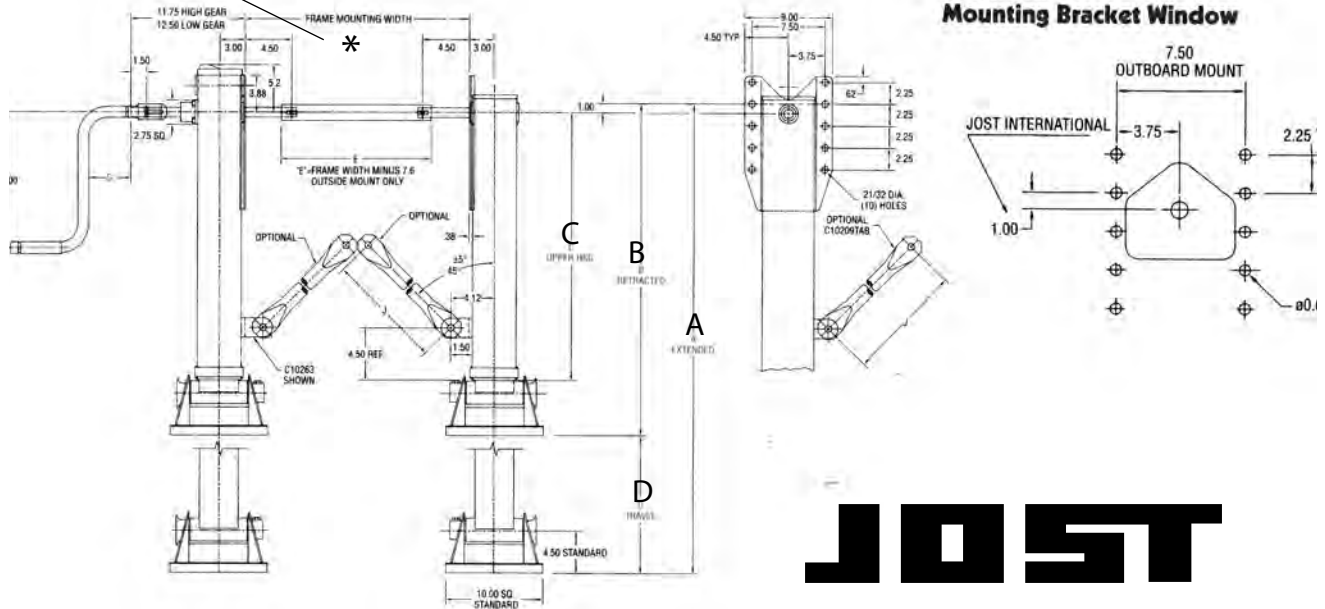


## JUST LANDING GEAR SPECIFICATIONS

Just landing gear meet all AAR and TTMA specifications

**\*Note 1: The gearside leg is taller than the non-gearside leg by 2.79" in overall length of the entire housing.**

**\*\*Note 2 - The inside mount legs come with a shorter cross-shaft.**



# JUST

### 5-Year Warranty!

When properly applied and installed, these legs are warranted to be free of defects in materials and workmanship under normal use and service for a period of five years.

# JUST

### Specifications:

**Gearing:** 3.5 turns to the inch in high gear  
32 turns to the inch in low gear.

**Weight:** 177 pounds (Cushion Foot model)  
188 pounds (Sandshoe model)

**Certification:** Meet and/or exceed all TTMA/AAR specifications.

### Features:

**Mount:** All mounts available, universal, inside or outside trailer frame.

**Gearbox:** No external gearbox! The gearing mechanism is an integral part of one sturdy leg column-streamlined and protected from road wear.

**Legs:** Nonlinear analysis was employed to determine the optimum grade of high strength low alloy steel for the landing gear. Finite analysis yielded the ideal shape.

**Load Capacities Per Pair:** -at 100 ft. lbs input torque

**Lifting Capacity:** 50,000 lbs.

**Static Load Capacity:** 160,000 lbs.

**Side Load Capacity:** 29,000 lbs.

### Travel Option Dimensions:

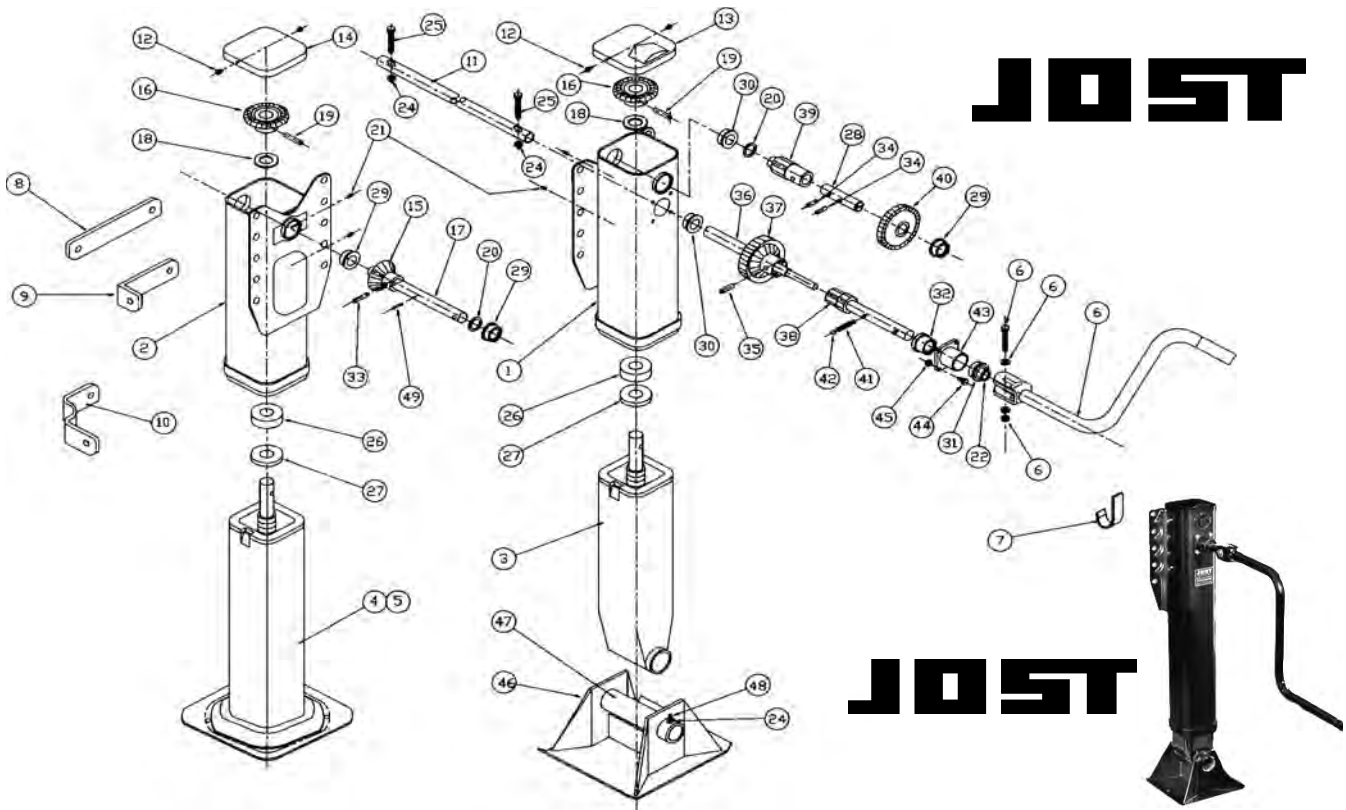
| D      | A                                | B                                | C                                 |
|--------|----------------------------------|----------------------------------|-----------------------------------|
| Travel | Extended                         | Retracted                        | Upper Hsg.                        |
| 14"    | 42 <sup>5</sup> / <sub>8</sub> " | 28 <sup>5</sup> / <sub>8</sub> " | 21 <sup>5</sup> / <sub>16</sub> " |
| 17"    | 48 <sup>5</sup> / <sub>8</sub> " | 31 <sup>5</sup> / <sub>8</sub> " | 24 <sup>5</sup> / <sub>16</sub> " |
| 19"    | 52 <sup>5</sup> / <sub>8</sub> " | 33 <sup>5</sup> / <sub>8</sub> " | 26 <sup>5</sup> / <sub>16</sub> " |







**JUST LANDING GEAR REPLACEMENT PARTS**



| Item | Part No.  | Qty. | Description                      |
|------|-----------|------|----------------------------------|
| 1    | See Table | 1    | Outer Housing, 2 Speed           |
| 2    | See Table | 1    | Outer Housing, 1 Speed           |
| 3    | See Table | 2    | Inner Leg Ass'y, Standard        |
| 4    | See Table | 2    | Inner Leg Ass'y, 10" Cushion     |
| 5    | See Table | 2    | Inner Leg Ass'y, 12" Cushion     |
| 6    | C10067.2  | 1    | Standard Craml w/Hardware        |
| 7    | B10261    | 1    | Crank hanger                     |
| 8    | C10262    | 2    | Brace Lug, Flat                  |
| 9    | C10263    | 2    | Brace Lug - 90 Degree            |
| 10   | C10108    | 2    | Brace Lug - W                    |
| 11   | B10066    | 1    | Intermediate Cross Shaft         |
| 12   | A10059.1  | 4    | Cover Screw                      |
| 13   | C10217    | 1    | Cover - 2 Speed                  |
| 14   | C10259    | 1    | Cover - 1 Speed                  |
| 15   | C10177    | 1    | Pinion Gear                      |
| 16   | C10155    | 2    | Bevel Gear                       |
| 17   | B10130    | 1    | Pinion Shaft - 1 Speed           |
| 18   | A10102    | 2    | Thrust Washer                    |
| 19   | A10052.3  | 2    | Grooved Pin                      |
| 20   | A10218    | 2    | Spacer Washer                    |
| 21   | A10040    | 4    | Grease Fitting                   |
| 22   | A10283    | 1    | Grease Seal                      |
| 23   | C10209    | 4    | Strut Brace (not shown)          |
| 24   | A10038.7  | 4    | Self Locking Nut                 |
| 25   | A10037.1  | 2    | Cross Shaft Bolt - 3/8" x 2" Gr5 |
| 26   | A10033    | 2    | Thrust Bearing                   |

| Item | Part No. | Qty. | Description                        |
|------|----------|------|------------------------------------|
| 27   | A10101   | 2    | Collar                             |
| 28   | A10212   | 1    | Output Shaft                       |
| 29   | A10255   | 3    | Bushing                            |
| 30   | A10255   | 2    | Bushing                            |
| 31   | A10249   | 1    | Detent Bushing                     |
| 32   | A10247   | 1    | Bushing                            |
| 33   | A10054.3 | 1    | Roll Pin - 3/8" x 1 1/2"           |
| 34   | A10260.1 | 2    | Spiral Pin                         |
| 35   | A10054.7 | 1    | Roll Pin - 3/8" x 1 3/4"           |
| 36   | B10236   | 1    | Output Cluster Shaft               |
| 37   | C10234   | 1    | Output Cluster gear                |
| 38   | C10233   | 1    | Input Gear Shaft                   |
| 39   | C10078   | 1    | Output Spur Gear                   |
| 40   | C10085   | 1    | Input Spur Gear                    |
| 41   | A10049   | 1    | Detent Spring                      |
| 42   | A10048   | 2    | Detent Ball                        |
| 43   | B10229S  | 1    | Shift Housing                      |
| 44   | A10230   | 4    | Shift Housing Bolt                 |
| 45   | A10038.6 | 4    | Self Locking Nut                   |
| 46   | C10035   | 2    | Shoe - 10" x 10" x 4 1/2" Standard |
| 46   | C10135   | 2    | Shoe - 10" x 10" x 2"              |
| 46   | C10256   | 2    | Shoe - 10" x 12" x 4 1/2"          |
| 46   | C10257   | 2    | Shoe - 10" x 12" x 2"              |
| 47   | B10036   | 2    | Shoe Axle                          |
| 48   | A10037.3 | 2    | Hex head Bolt                      |
| 49   | A10054.6 | 2    | Roll Pin - 1/4" x 1 1/4"           |

**SHOE REPAIR KIT  
FOR 10" SQ. CUSH FOOT  
Part No. C10717K**

Consists of: B10148 rubber cushion, B10149 retainer plate, C10145.1 housing (2), C10150 base (10")



**Part No. B10229S**  
**Shift Housing Kit - Includes #'s**  
**A10283, A10249,**  
**A10247, A10048,**  
**A10049, B10229,**  
**Item #'s 22, 31, 32, 41, 42, 43**

**Part No. B10285**  
**Shaft Housing**  
**Assembly -**  
**Includes #'s**  
**B10229S, C10233**  
**and Item # 38.**



## LANDING GEAR LISTING - FLEETCRAFT

### FLEETCRAFT LANDING GEAR



#### Classic - The Original!

**Part No.    Description**

- 1013912**    Fleetcraft 2-shaft with 10x10 4.5" tall sand shoe. 16.87" travel, universal mount.
- 1013916**    Fleetcraft 2-shaft with 10x10 round cushion foot shoe. 16.87" travel, universal mount.
- 1013932**    Fleetcraft 2-shaft with 10x10 2.5" tall low profile sand shoe. 16.87" travel, universal mount.



#### Classic - Three Shaft

- 1013962**    Fleetcraft 3-shaft with 10x10 4.5" tall sand shoe. 16.87" travel, universal mount.
- 1013964**    Fleetcraft 3-shaft with 10x10 2.5" tall low profile sand shoe. 16.87" travel, universal mount.



#### The J-Model - Internal Gearing

- 1013992**    Fleetcraft J-model, internal gears with 4.5" tall 10x10 sand shoe. 17" travel, outside mount.
- 1013993**    Fleetcraft J-model, internal gears with 10x10 cushion-foot shoe. 17" travel, outside mount.
- 1013994**    Fleetcraft J-model, internal gears with 10x10 lo-pro cushion-foot shoe. 17" travel, inside mount.
- 1013995**    Fleetcraft J-model, internal gears with 4.5" tall 10x10 sand shoe. 17" travel, universal mount.
- 1013996**    Fleetcraft J-model, internal gears with 4.5" tall 10x10 sand shoe. 19" travel, outside mount.
- 1013997**    Fleetcraft J-model, internal gears with 2" tall 10x10 sand shoe. 17" travel, outside moun
- 1013998**    Fleetcraft J-model, internal gears with 10x10 lo-pro cushion-foot shoe. 17" travel, universal mount.



#### With FLEETCRAFT Landing Gear SETS, KITS, GEARSIDE and NONGEAR LEGS:

PUT a 'K' on the end of the part number to get the Gearside and Nongear landing along with a crank handle, brace ears, and cross shaft. **Ex: 1013912K**

Put NOTHING on the end to get just the gearside and nongear legs - legs only. **Ex: 1013912**

For a **gearside leg**, put a '-2' on the end of the part number. **Ex: 1013912-2**

For a **nongear leg**, put a '-1' on the end of the part number. **Ex: 1013912-1**

If you would like a different crank handle than what comes in the kit, many landing gear sets have that option.

**These landing gear have different leg travels and load capacities. This is a listing to let you know what we have in choices of Landing Gear. All of these Landing Gear have more part numbers than the ones listed here, changing the footwear, travel, or capacity. As your landing gear headquarters, we add new legs all the time!**





## FLEETCRAFT CLASSIC LANDING GEAR SPECIFICATIONS

THE ORIGINAL!

These are the legs that started it all!



### Specifications

**Gearing:** 3.2 turns to the inch in high gear / 19.3 turns to the inch in low gear.

**Weight:** 159 pounds (Cushion Foot model) / 171 pounds (Sandshoe model)

**Certification:** Fleetcraft models meet and/or exceed all TTMA/AAR specifications.

**Mount:** Universal mount - fits inside or outside trailer frame.

**Gearbox:** Permanently sealed with special formula grease for longer maintenance-free operation of *Constant Mesh* Gearing

**Housings:** Upper and lower housings manufactured from high strength 80,000 lb yield steel.

**5 Year material and defects warranty!**

### Two-Shaft: The Original!

**Lifting Capacity 39,000 lbs. / Ultimate Load 140, 000 lbs. / Side Load 27,000 lbs.**

#### PART NO.

#### DESCRIPTION

**1013912**

Universal Mount. Constant mesh gearing.  
Square leg with 10x10x4 sandshoe.

**1013916**

Universal Mount. Constant mesh gearing.  
Square leg with 10x10 round cushion foot.

**1013932**

Universal Mount. Constant mesh gearing.  
Square leg with 10x10x2.5 low-profile sandshoe.

ALL Have:

8 hole bolt pattern, TTMA mounting.  
16.87" travel. Gearbox grease protection -65° to 250°F.



### Three-Shaft: Superior Quality 3-shaft landing gear from Fleetcraft.

#### PART NO.

#### DESCRIPTION

**1013962**

Universal Mount. Constant mesh gearing.  
Square leg with 10x10x4 sandshoe.  
8 hole bolt pattern. Reinforcing ring on upper leg.  
16.87" travel. Superior anti-rust finish coat.  
Minimum Capacities: Lifting - 50,000 lbs. Static - 160,000 lbs.



#### PART NO.

#### DESCRIPTION

**1013964**

Universal Mount. Constant mesh gearing. Square leg with  
10x10x2.5 sandshoe. 8 hole bolt pattern. Reinforcing ring on  
upper leg. 16.87" travel. Superior anti-rust finish coat.  
Minimum Capacities: Lifting - 50,000 lbs. Static - 160,000 lbs.

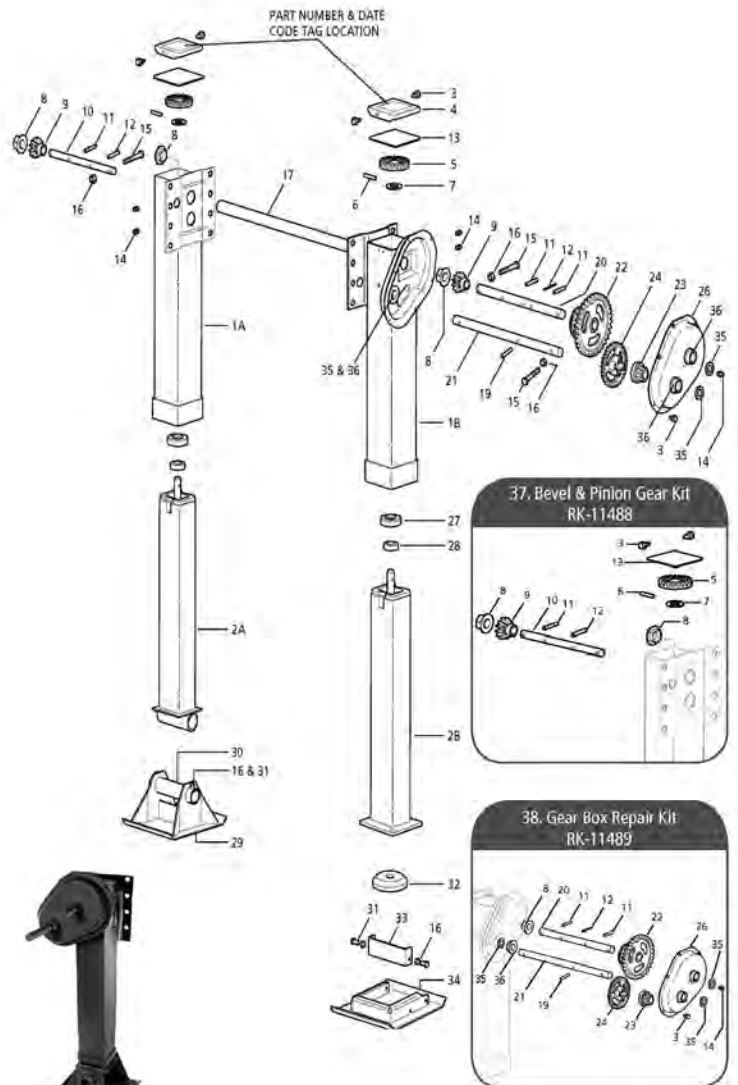
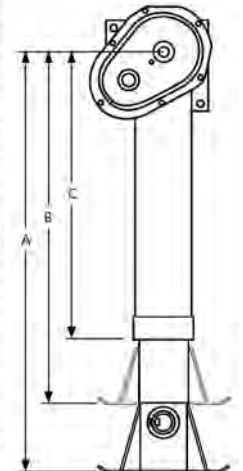


# FLEETCRAFT CLASSIC LANDING GEAR REPLACEMENT PARTS

| NO. | DESCRIPTION                      | TRAVEL    |           |
|-----|----------------------------------|-----------|-----------|
|     |                                  | 17"       | 19"       |
| 2A  | Lower Leg Assy - Sandshoe        | LG3012-03 | LG3012-04 |
| 2B  | Lower Leg Assy - Low Profile RCF | LG-742913 | LG-742927 |

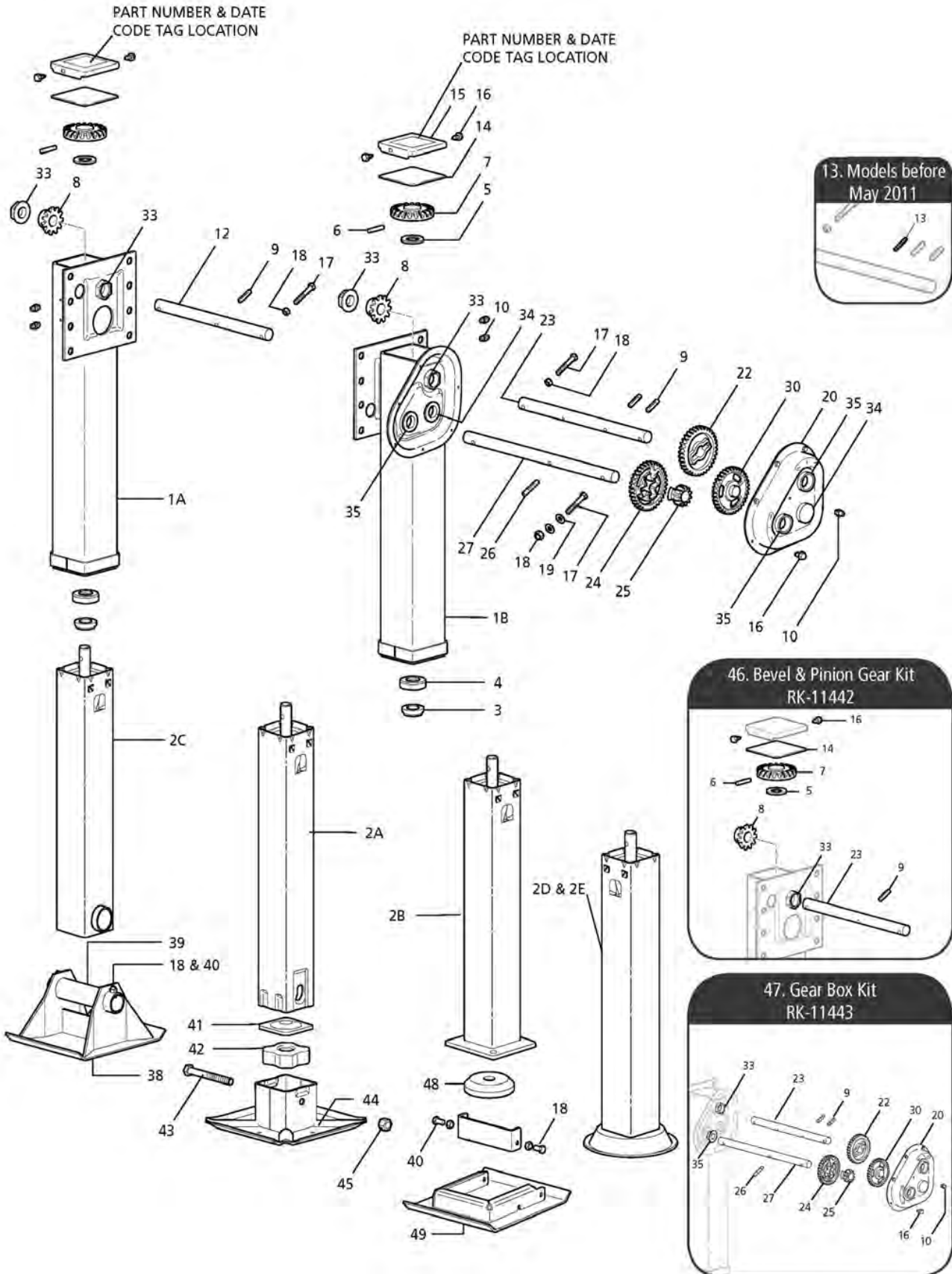
| NO. | DESCRIPTION  | PART NO.       | SPEED |     |
|-----|--|----------------|-------|-----|
|     |  |                | ONE   | TWO |
| 1A  | Upper Leg Assy LH                                      | N/A            | 1     | -   |
| 1B  | Upper Leg Assy RH                                      | N/A            | -     | 1   |
| 3   | Self-Tapping Screw - .25" x .20 x .50"                 | XB-ST5-008-11  | 2     | 8   |
| 4   | Cover  | XA-LG0880      | 1     | 1   |
| 5   | Bevel Gear   | LG2884         | 1     | 1   |
| 6   | Pin - .38" x 2"  | XA-CRP-V-06635 | 1     | 1   |
| 7   | Flat Washer  | XB-PW-016-62   | 1     | 1   |
| 8   | Hex Lock Boss  | LG2926         | 2     | 1   |
| 9   | Pinion Gear  | LG1823-02      | 1     | 1   |
| 10  | Jack Shaft LH - Universal Mount                        | LG-750004-01   | 1     | -   |
|     | - I-Beam   | LG-750004-04   | 1     | -   |
|     | - Extended I-Beam                                      | LG-750004-05   | 1     | -   |
|     | - Conventional Mount                                   | LG-750004-02   | 1     | -   |
|     | - Reverse Mount  | LG-750004-03   | 1     | -   |
| 11  | Groove Pin - DIA .38" x .50" - Type E                  | XB-GP-014-18   | 1     | 2   |
| 12  | Spring Pin - DIA .25" x 1.50"                          | XB-SP-014-27   | 1     | 1   |
| 13  | Cover Gasket   | XB-LG0893      | 1     | 1   |
| 14  | Grease Fitting   | XB-GRF-022-16  | 2     | 3   |
| 15  | Hex Head Screw - .38"-16 x .25" GR 5                   | XB-HHC-050-42  | 1     | 2   |
| 16  | Self-Locking Nut - .38"-16 Grade B - Cross Drive Shaft | XB-SLN-012-04  | 1     | 2   |
|     | - .38"-16 Grade B - Sandshoe                           | XB-SLN-012-04  | 1     | 1   |
|     | - .38"-16 Grade B - Low Profile RCF                    | XB-SLN-012-04  | 2     | 2   |
| 17  | Cross Drive Shaft                                      | LG0094-XXX     | 1     | -   |
| 19  | Groove Pin - .31" x 1.50"                              | 725046         | -     | 1   |
| 20  | Jack Shaft RH - Universal Mount                        | LG-750002-01   | -     | 1   |
|     | - I-Beam   | LG-750002-04   | -     | 1   |
|     | - Extended I-Beam                                      | LG-750002-05   | -     | 1   |
|     | - Conventional Mount                                   | LG-750002-02   | -     | 1   |
|     | - Reverse Mount  | LG-750002-03   | -     | 1   |
| 21  | Shift Shaft - Universal Mount                          | LG-751175-01   | -     | 1   |
|     | - Conventional Mount & I-Beam                          | LG-751175-02   | -     | 1   |
|     | - Reverse Mount  | LG-751175-03   | -     | 1   |
| 22  | Output Gear  | 750009         | -     | 1   |
| 23  | Input Gear - Low                                       | 751173         | -     | 1   |
| 24  | Input Gear - High                                      | 751174         | -     | 1   |
| 26  | Gearbox Assy - Outside Half                            | LG-741158      | -     | 1   |
| 27  | Thrust Bearing   | XB-BRG-013-77  | 1     | 1   |
| 28  | Collar   | XB-LG0544      | 1     | 1   |
| 29  | Sandshoe - 10" x 10" x 4.5"                            | LG0055         | 1     | 1   |
|     | - 10" x 10" x 2.0"                                     | LG0056         | 1     | 1   |
| 30  | Axle Assy  | LG0070-02      | 1     | 1   |
| 31  | Hex Cap Screw - .38"-16 x .75" GR 5 - Sandshoe         | XB-HHC-050-69  | 1     | 1   |
|     | - .38"-16 x 1" GR - Low Profile RCF                    | 201205         | 2     | 2   |
| 32  | Rubber Pad   | 728003         | 1     | 1   |
| 33  | Strap  | 730638         | 1     | 1   |
| 34  | Low Profile RCF - 10" x 10"                            | 730640         | 1     | 1   |
| 35  | Oil Seal - 1" Shaft                                    | XB-SEL-030-17  | -     | 3   |
| 36  | Gear Box Boss  | XB-LG0659      | -     | 3   |
| 37  | Bevel & Pinion Gear Kit - Universal                    | RK-11488       | 1     | 1   |
| 38  | Gear Box Repair Kit - Universal                        | RK-11489       | -     | 1   |
| 39  | Black Armour™ Touchup Kit (not shown)                  | RK-10919       | 1     | 1   |

|   | EXTENDED LENGTH (A) | RETRACTED LENGTH (B) | UPPER LEG (C) |
|---|---------------------|----------------------|---------------|
| <b>REMOVABLE CUSHION FOOT LOW PROFILE</b> |                     |                      |               |
| 14" Travel (14.12")                       | 43.12"              | 29.00"               | 25.50"        |
| 17" Travel (16.87")                       | 46.00"              | 29.10"               | 28.31"        |
| 19" Travel (19.12")                       | 48.85"              | 29.72"               | 27.75"        |
| <b>4.5" SANDSHOE</b>                      |                     |                      |               |
| 14" Travel (14.12")                       | 42.87"              | 28.75"               | 22.75"        |
| 17" Travel (16.87")                       | 48.50"              | 31.50"               | 25.50"        |
| 19" Travel (19.12")                       | 52.87"              | 33.75"               | 27.75"        |
| <b>2" SANDSHOE</b>                        |                     |                      |               |
| 14" Travel (14.12")                       | 40.37"              | 26.25"               | 22.75"        |
| 17" Travel (16.87")                       | 46.00"              | 29.00"               | 25.50"        |
| 19" Travel (19.12")                       | 50.37"              | 31.25"               | 27.75"        |





**FLEETCRAFT THREE-SHAFT LANDING GEAR REPLACEMENT PARTS**





**FLEETCRAFT THREE-SHAFT LANDING GEAR REPLACEMENT PARTS**

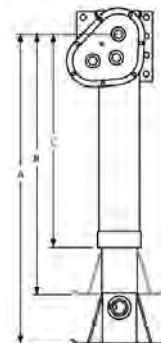
| NO. | DESCRIPTION                      | RETRACT TUBE CODE | TRAVEL    |           |           |            |           |
|-----|----------------------------------|-------------------|-----------|-----------|-----------|------------|-----------|
|     |                                  |                   | 13.50"    | 15.50"    | 17"       | 17" * CAN. | 19"       |
| 2A  | Retract Tube - RCF               | 0 or 5 (MRL)      | LG3053-01 | LG3053-02 | LG3053-03 | LG3053-04  | LG3053-05 |
| 2B  | Retract Tube - Low Profile RCF   | 0                 | LG3097-01 | LG3097-02 | LG3097-03 | N/A        | NA        |
| 2C  | Retract Tube - Axle              | 0                 | LG3012-01 | LG3012-02 | LG3012-03 | N/A        | LG3012-04 |
| 2D  | Retract Tube - Shockfoot 10" DIA | 0 or *6 (Can)     | LG3061-02 | LG3061-03 | LG3061-04 | LG3061-07  | LG3061-13 |
| 2E  | Retract Tube - Shockfoot 12" DIA | 0 or *6 (Can)     | LG3061-01 | N/A       | LG3061-05 | LG3061-08  | LG3061-14 |



| NO. | DESCRIPTION                                     | PART NO.       | SPEED |     |
|-----|---|----------------|-------|-----|
|     |   |                | ONE   | TWO |
| 1A  | Upper Housing LH                                | N/A            | -     | -   |
| 1B  | Upper Housing RH                                | N/A            | -     | -   |
| 3   | Collar  | XB-LG0544      | 1     | 1   |
| 4   | Thrust Bearing                                  | XB-BRG-013-77  | 1     | 1   |
| 5   | Washer - FL 2" OD x 1.19" ID x .13" THK         | XB-PW-016-62   | 1     | 1   |
| 6   | Pin - DIA .38" x 2"                             | XA-CRP-V-06635 | 1     | 1   |
| 7   | Bevel Gear                                      | LG2884         | 1     | 1   |
| 8   | Pinion Gear                                     | LG1823-02      | 1     | 1   |
| 9   | Groove Pin - DIA .38" x 1.50"                   | XB-GP-014-18   | 1     | 2   |
| 10  | Ftg - Grease .25"-28 Self Tapping               | XB-GRF-022-16  | 2     | 3   |
| 12  | Jack Shaft LH - Universal Mount                 | LG2964-01      | 1     | -   |
|     | - I-Beam Mount                                  | LG2964-04      | 1     | -   |
|     | - Conventional Mount                            | LG2964-02      | 1     | -   |
|     | - Reverse Mount                                 | LG2964-03      | 1     | -   |
| 13  | Pin - Spring DIA .25" x 1.5" (Not Required)     | N/A            | -     | -   |
| 14  | Cover Gasket                                    | XB-LG0893      | 1     | 1   |
| 15  | Top Cover                                       | XA-LG0880      | 1     | 1   |
| 16  | Self-Tapping Screw .25"-20 x .5" Lg             | XB-STS-008-11  | 2     | 9   |
| 17  | Screw, Hex Cap .38"-16 x 2.25" Lg GR5           | XB-HHC-050-42  | 1     | 2   |
| 18  | Self-Locking Nut .38"-16 - Sandshoe             | XB-SLN-012-04  | 2     | 3   |
|     | - Low Profile RCF                               | XB-SLN-012-04  | 4     | 5   |
| 19  | Washer .38" Std Type A                          | XB-PW-016-03   | -     | 2   |
| 20  | Gearbox Half, Outside w/Hole for Grease Fitting | LG2996         | -     | 1   |
| 22  | Output Gear                                     | LG2980         | -     | 1   |
| 23  | Jackshaft RH - Universal Mount                  | LG2963-01      | -     | 1   |
|     | - I-Beam Mount                                  | LG2963-04      | -     | 1   |
|     | - Conventional Mount                            | LG2963-02      | -     | 1   |
|     | - Reverse Mount                                 | LG2963-03      | -     | 1   |
| 24  | Input Gear - High                               | LG2968         | -     | 1   |
| 25  | Input Gear - Low                                | LG2969         | -     | 1   |
| 26  | Groove Pin, Type E DIA .38" x 2.00" Lg          | XB-GP-052-21   | -     | 1   |
| 27  | Shift Shaft - Universal                         | LG3011-01      | -     | 1   |
|     | - I-Beam & Conventional                         | LG3011-02      | -     | 1   |
|     | - Reverse                                       | LG3011-03      | -     | 1   |
| 30  | Idler Gear                                      | LG2975         | -     | 1   |
| 33  | Hex Lock Boss                                   | LG2926         | 2     | 2   |
| 34  | Output Shaft Bushing                            | LG3005         | -     | 2   |
| 35  | Boss Bearing - Sealed                           | LG0659-10      | -     | 3   |

| NO. | DESCRIPTION  | PART NO.      | SPEED |     |
|-----|--|---------------|-------|-----|
|     |  |               | ONE   | TWO |
| 38  | Sandshoe - 10" x 10" x 4.50"                           | 50616001      | 1     | 1   |
|     | - 10" x 12" x 4.50"                                    | 50616000      | 1     | 1   |
|     | - 10" x 10" x 2.00"                                    | 50616008      | 1     | 1   |
|     | - 10" x 12" x 2.00"                                    | 50616007      | 1     | 1   |
| 39  | Sandshoe Axle - Hollow Axle 8.50" Lg                   | LG0070-02     | 1     | 1   |
| 40  | Screw, Hex Cap .38"-16 x .75" Lg GR5 - Sandshoe        | XB-HHC-050-69 | 1     | 1   |
|     | Screw, Hex Cap .38"-16 x .75" Lg GR5 - Low Profile RCF | XB-HHC-050-69 | 2     | 2   |
| 41  | Cushion Foot Plate                                     | LG0725        | 1     | 1   |
| 42  | Cushion Foot Rubber                                    | XB-LG0726     | 1     | 1   |
| 43  | Bolt - Hex Head .63" -11 x 5.50"                       | XB-HHB-050-70 | 1     | 1   |
| 44  | R.C.F. - DIA 10"                                       | LG0718-01     | 1     | 1   |
|     | - DIA 12"  | LG0740-01     | 1     | 1   |
|     | - 10" x 10"  | LG0732-01     | 1     | 1   |
| 45  | Self-Locking Nut - .63"-11"                            | XB-SP0012-10  | 1     | 1   |
| 46  | Bevel & Pinion Gear Repair Kit                         | RK-11442      | 1     | 1   |
| 47  | Gear Box Repair Kit                                    | RK-11443      | -     | 1   |
| 48  | Cushion Foot Pad - Low Profile RCF                     | 728003        | 1     | 1   |
| 49  | Interchangeable Collar - Low Profile RCF               | 730639        | 1     | 1   |

|                               | EXTENDED LENGTH (A) | RETRACTED LENGTH (B) | UPPER LEG (C) |
|-------------------------------|---------------------|----------------------|---------------|
| <b>REMOVABLE CUSHION FOOT</b> |                     |                      |               |
| 14" Travel (14.12")           | 43.12"              | 29.00"               | 25.50"        |
| 17" Travel (16.87")           | 48.62"              | 31.75"               | 28.31"        |
| 19" Travel (19.12")           | 53.12"              | 34.00"               | 30.56"        |
| <b>4.5" SANDSHOE</b>          |                     |                      |               |
| 14" Travel (14.12")           | 42.87"              | 28.75"               | 22.75"        |
| 17" Travel (16.87")           | 48.37"              | 31.50"               | 25.50"        |
| 19" Travel (19.12")           | 52.87"              | 33.75"               | 27.75"        |
| <b>2" SANDSHOE</b>            |                     |                      |               |
| 14" Travel (14.12")           | 40.37"              | 26.25"               | 22.75"        |
| 17" Travel (16.87")           | 45.87"              | 29.00"               | 25.50"        |
| 19" Travel (19.12")           | 50.37"              | 31.25"               | 27.75"        |



**Classic 3-shaft Dimensions**





## FLEETCRAFT J-MODEL LANDING GEAR SPECIFICATIONS

### THE J-MODEL! Light and Strong!-State of the Art!



#### The J-Model - Internal Gearing

- 1013992** Fleetcraft J-model, internal gears with 4.5" tall 10x10 sand shoe. 17" travel, outside mount.
- 1013993** Fleetcraft J-model, internal gears with 10x10 cushion-foot shoe. 17" travel, outside mount.
- 1013994** Fleetcraft J-model, internal gears with 10x10 lo-pro cushion-foot shoe. 17" travel, inside mount.
- 1013995** Fleetcraft J-model, internal gears with 4.5" tall 10x10 sand shoe. 17" travel, universal mount.
- 1013996** Fleetcraft J-model, internal gears with 4.5" tall 10x10 sand shoe. 19" travel, outside mount.
- 1013997** Fleetcraft J-model, internal gears with 2" tall 10x10 sand shoe. 17" travel, outside moun
- 1013998** Fleetcraft J-model, internal gears with 10x10 lo-pro cushion-foot shoe. 17" travel, universal mount.

The difference between this landing gear design and other products is obvious right from the first glance: there is no external gearbox! The gearing mechanism is an integral part of the sturdy leg column which protects the gearing from abuse and most importantly minimizes significantly water intrusion which is a very damaging element to landing gear with external gear housings.

#### Features:

**Mount:** All mounts available, universal, inside or outside trailer frame.

**Gearbox:** No external gearbox! The gearing mechanism is an integral part of one sturdy leg column-streamlined and protected from road wear.

**Legs:** Nonlinear analysis was employed to determine the optimum grade of high strength low alloy steel for the landing gear. Finite analysis yielded the ideal shape.

#### Load Capacities Per Pair:

**Lifting Capacity:**50,000 lbs.

**Static Load Capacity:**160,000 lbs.

**Side Load Capacity:**29,000 lbs.

#### Gear Ratio

**Low Gear.....32 Turns = 1" travel**

**High Gear.....3.5 Turns = 1" travel**

Fleetcraft landing gear meet all AAR and TTMA specifications

*Note: The gearside leg is taller than the non-gearside leg by 2.79" in overall length of the entire housing.*

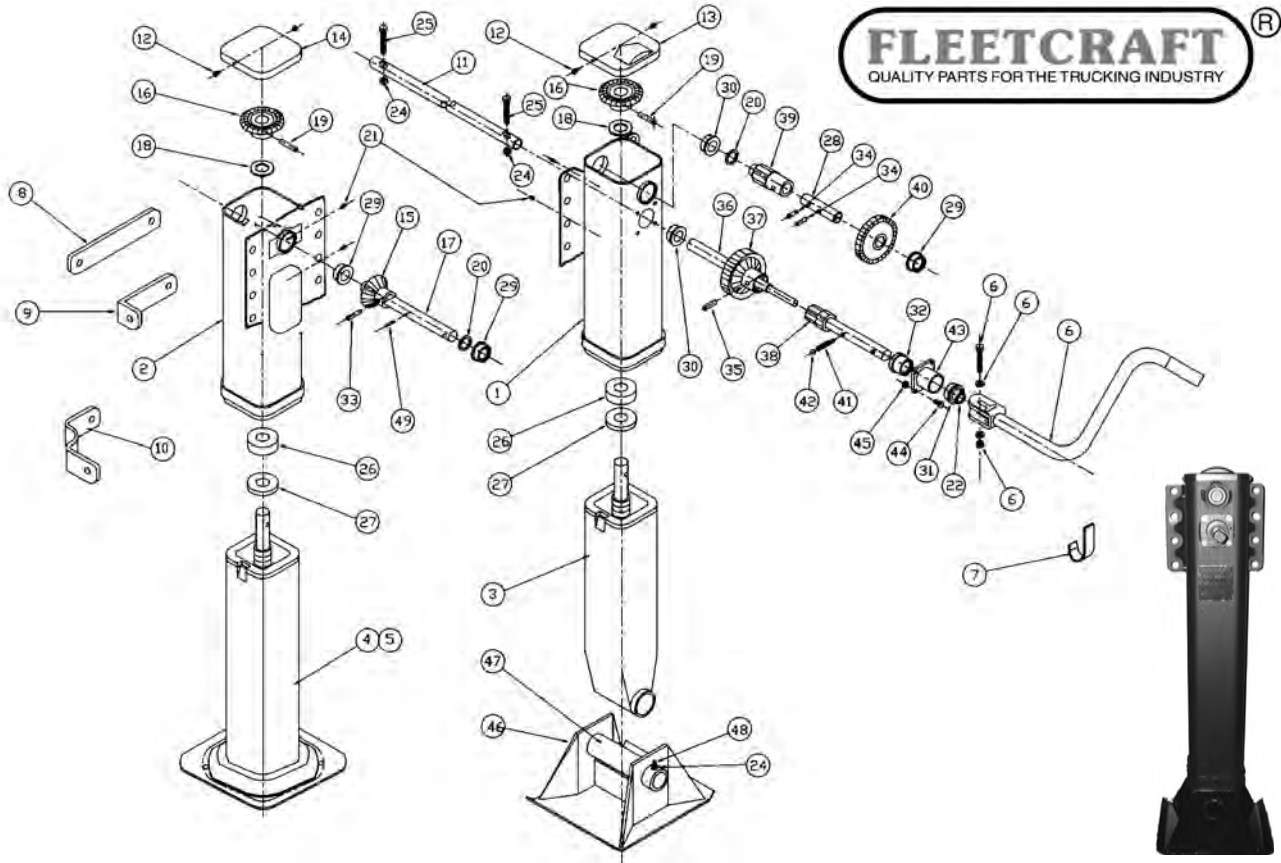
#### 5-Year Warranty!

When properly applied and installed, these legs are warranted to be free of defects in materials and workmanship under normal use and service for a period of five years.





## FLEETCRAFT J-MODEL LANDING GEAR REPLACEMENT PARTS



| Item | Part No. | Qty. | Description                      |
|------|----------|------|----------------------------------|
| 1    | ---      | 1    | Outer Housing, 2 Speed           |
| 2    | ---      | 1    | Outer Housing, 1 Speed           |
| 3    | ---      | 2    | Inner Leg Ass'y, Standard        |
| 4    | ---      | 2    | Inner Leg Ass'y, 10" Cushion     |
| 5    | ---      | 2    | Inner Leg Ass'y, 10" Cushion     |
| 6    | C10067.2 | 1    | Standard Crankl w/Hardware       |
| 7    | B10261   | 1    | Crank hanger                     |
| 8    | C10262   | 2    | Brace Lug, Flat                  |
| 9    | C10263   | 2    | Brace Lug - 90 Degree            |
| 10   | C10108   | 2    | Brace Lug - W                    |
| 11   | B10066   | 1    | Intermediate Cross Shaft         |
| 12   | A10059.1 | 4    | Cover Screw                      |
| 13   | C10217   | 1    | Cover - 2 Speed                  |
| 14   | C10259   | 1    | Cover - 1 Speed                  |
| 15   | C10177   | 1    | Pinion Gear                      |
| 16   | C10155   | 2    | Bevel Gear                       |
| 17   | B10130   | 1    | Pinion Shaft - 1 Speed           |
| 18   | A10102   | 2    | Thrust Washer                    |
| 19   | A10052.3 | 2    | Grooved Pin                      |
| 20   | A10218   | 2    | Spacer Washer                    |
| 21   | A10040   | 4    | Grease Fitting                   |
| 22   | A10283   | 1    | Grease Seal                      |
| 23   | C10209   | 4    | Strut Brace (not shown)          |
| 24   | A10038.7 | 4    | Self Locking Nut                 |
| 25   | A10037.1 | 2    | Cross Shaft Bolt - 3/8" x 2" Gr5 |
| 26   | A10033   | 2    | Thrust Bearing                   |

| Item | Part No. | Qty. | Description                        |
|------|----------|------|------------------------------------|
| 27   | A10101   | 2    | Collar                             |
| 28   | A10212   | 1    | Output Shaft                       |
| 29   | A10255   | 3    | Bushing                            |
| 30   | A10255   | 2    | Bushing                            |
| 31   | A10249   | 1    | Detent Bushing                     |
| 32   | A10247   | 1    | Bushing                            |
| 33   | A10054.3 | 1    | Roll Pin - 3/8" x 1 1/2"           |
| 34   | A10260.1 | 2    | Spiral Pin                         |
| 35   | A10054.7 | 1    | Roll Pin - 3/8" x 1 3/4"           |
| 36   | B10236   | 1    | Output Cluster Shaft               |
| 37   | C10234   | 1    | Output Cluster gear                |
| 38   | C10233   | 1    | Input Gear Shaft                   |
| 39   | C10078   | 1    | Output Spur Gear                   |
| 40   | C10085   | 1    | Input Spur Gear                    |
| 41   | A10049   | 1    | Detent Spring                      |
| 42   | A10048   | 2    | Detent Ball                        |
| 43   | B10229   | 1    | Shift Housing                      |
| 44   | A10230   | 4    | Shift Housing Bolt                 |
| 45   | A10038.6 | 4    | Self Locking Nut                   |
| 46   | C10035   | 2    | Shoe - 10" x 10" x 4 1/2" Standard |
| 46   | C10135   | 2    | Shoe - 10" x 10" x 2"              |
| 46   | C10256   | 2    | Shoe - 10" x 12" x 4 1/2"          |
| 46   | C10257   | 2    | Shoe - 10" x 12" x 2"              |
| 47   | B10036   | 2    | Shoe Axle                          |
| 48   | A10037.3 | 2    | Hex head Bolt                      |
| 49   | A10054.6 | 2    | Roll Pin - 1/4" x 1 1/4"           |

### Part No. B10229S

Shift Housing Kit - Includes #'s

A10283, A10249, A10247, A10048, A10049, B10229

Item #'s 22, 31, 32, 41, 42, 43

### Part No. B10285

Shaft Housing Assembly - Includes #'s

B10229S, C10233

(The Kit to the Left! and Item # 38.)



**LIGHT DUTY COMMERCIAL JACKS AND LANDING GEAR**

**Converter Dolly Jack**

**Part No.: JS-300-J**  
 Static Load Capacity: 1,200 lbs.  
 Retracted Length: 29.4"  
 Extended Length: 44.4"  
 Wheel Size: 5"x2" Steel  
 Weight: Approx. 36 lbs.



Wheel Assembly Only (Before 5/12)

**Part No.: XA-V-350**

Wheel Assembly Only (After 5/12)

**Part No.: LG2605**

**Part No. JS-300-B**  
 (No Footware) 23.7" - 38.7"

**Single Drop Leg**

**Part No.: JS150-SB**  
 Static Load Capacity 25,000 lbs.  
 Retracted Length: 29.75"  
 Extended Length: 54.75"  
 Weight: Approx 50 lbs.  
 Holes placed 2 inches apart on lower leg allow the pin to be inserted for supporting 25,000 pounds.



**Anti-Nosedive Jack**

**Part No. LG1870 (Fully Assembled!)**

Non-lifting support jack prevents upending of trailers when not connected to a truck during loading and unloading.

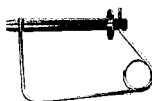
Unique hole pattern in the outer housing and retract tube provides maximum adjustment.

10,000 lbs. vertical load rating.

**PINS FOR ANTI-NOSEDIVE JACKS -**

Tempered spring steel lock.

| Part No.    | Dia. | Length |
|-------------|------|--------|
| 1012039-1/2 | 1/2" | 4"     |
| 1012039-5/8 | 5/8" | 4"     |
| 1012039-3/4 | 3/4" | 4"     |



**Full Crank Jacks**

**Part No.: LG9700-71000000**  
 Static Load Capacity: 15,000 lbs.  
 Lift Capacity: 10,000 lbs.  
 Retracted Length: 25.125"  
 Extended Length: 42.125"  
 Crank Travel: 17"  
 Foot Pad: 8" x 10"



**Part No.: LG8700-313072000**  
 SPRING LOADED!  
 Static Load Capacity: 12,000 lbs.  
 Lift Capacity: 10,000 lbs.  
 Retracted Length: 24.38"  
 Extended Length: 49.88"  
 Crank Travel: 13.5" travel / 12" drop  
 Drop Increments: 4"



**Part No.: LGD700-212072000**  
 Dual Pin without spring.  
 Static Load Capacity: 20,000 lbs.  
 Lift Capacity:@50 ft./lbs. torq. input 6,000 lbs.  
 Lift Capacity:@100 ft./lbs. torq. input 12,500 lbs.  
 Retracted Length: 24<sup>3</sup>/<sub>8</sub>"  
 Extended Length: 50<sup>3</sup>/<sub>8</sub>"  
 Crank Travel: 12"  
 Drop Leg Travel:(Holes on 2" centers) 14"  
 Foot Pad: 9" x 9"



**Part No.: LGD700-212072000**  
 Dual Pin Spring-loaded.  
 Static Load Capacity: 20,000 lbs.  
 Lift Capacity:@50 ft./lbs. torq. input 6,000 lbs.  
 Lift Capacity:@100 ft./lbs. torq. input 12,500 lbs.  
 Retracted Length: 24<sup>3</sup>/<sub>8</sub>"  
 Extended Length: 50<sup>3</sup>/<sub>8</sub>"  
 Crank Travel: 12"  
 Drop Leg Travel:(Holes on 2" centers) 14"  
 Foot Pad: 9" x 9"

**Part No.: LG4700-324000000 (Gearside)**  
**Part No.: LG4700-314000000 (Nongear)**  
 Static Load Capacity: 25,000 lbs.  
 Lift Capacity: 25,000 lbs.  
 Retracted Length: 26.75"  
 Extended Length: 51.25"  
 Crank Travel: 13.5" travel / 12" drop  
 Drop Increments: 4"







**LOAD STABILIZER JACKS**

**Part No.: 1010181**

Static Load Capacity 40,000 lbs.  
Retracted Length: 44"  
Extended Length: 51"  
Weight: Approx 35 lbs.  
14" Diameter Base.  
3" Diameter Pipe.  
*Meets OSHA requirements  
for stabilizing trailers  
while loading and unloading.*



**Part No.: JS-2000**

Static Load Capacity 62,500 lbs.  
Lift Capacity w/ 100ft lbs = 8,000 lbs.  
Crank Turns per inch 2.5  
Top Pad Size 6" X 20"  
Base Pad Size 12 X 18"  
Wheel Size 9" diameter  
Meets OSHA requirement  
1910.178 k 3.



**GEAR BOXES - HOPPER APPLICATIONS**

**Grain Hopper Gearbox TIMPTE STYLE**

Kwik Shift Constant Mesh Gear Box  
(shaft length is 20.13" from base.)

**Part No. 742089**



**Grain Hopper Gearbox TIMPTE STYLE**

Kwik Shift Constant Mesh Gear Box  
(shaft length is 22.63" from base.)

**Part No. 742119**



**Grain Hopper Gearbox CORNHUSKER SHORT  
SHAFT**

Kwik Shift Constant Mesh Gear Box  
(shaft length is 3" from base.)

**Part No. 741805**



**LANDING GEAR BOLT KIT**

**Landing gear Bolt Kit**  
**Enough Bolts For One Leg Installation**



**Part No. Description**  
**1157014** Ten (10) 5/8"-18 x 1 1/2" grade 5  
hex bolts and nylon insert lock nuts







**REPLACEMENT LANDING GEAR COMPONENTS**

**SANDSHOES:  
STANDARD  
AND SPECIAL USE**



| Part No. | Pad Size  | Ground to Axle Center | Gussets | Notes               |
|----------|-----------|-----------------------|---------|---------------------|
| 1011225  | 10" X 10" | 4-1/2"                | Single  | Standard Duty       |
| 1011226  | 10" X 12" | 4-1/2"                | Single  | Standard Duty       |
| 1011227  | 12" X 12" | 2-1/2"                | Single  | LoPro, Std Duty     |
| 1011228  | 12" X 12" | 4-1/2"                | Single  | Standard Duty       |
| 1011229  | 12" X 12" | 4-1/2"                | Double  | Heavy Duty          |
| 1011230  | 10" X 10" | 4-1/2"                | Double  | Heavy Duty          |
| 1011231  | 10" X 12" | 2-1/2"                | None    | Low Profile         |
| 1011310  | 10" X 10" | 1-3/4"                | None    | LoPro. 7ga. w/patch |

**SAND SHOE AXLES**

All axles include collar assembly, except solid axles which have cotter pin and washer.



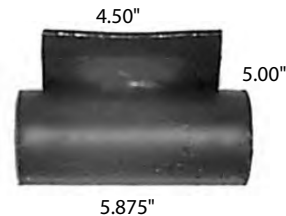
| Part No.   | Description      | Length  | Comment            |
|------------|------------------|---------|--------------------|
| 1011218    | Dolly Wheel Axle | 15-3/8" | For wheel app.     |
| 1011219    | Sand Shoe Axle   | 14-7/8" | Solid Axle         |
| 1011221    | Sand Shoe Axle   | 8-1/2"  | schedule 40        |
| 1011223    | Sand Shoe Axle   | 8-1/2"  | schedule 80        |
| 1011223-HD | Sand Shoe Axle   | 8-1/2"  | schedule 160       |
| 1011232    | Sand Shoe Axle   | 8-3/8"  | Solid Axle         |
| 1011217    | Collar Assembly  | 1/2"    | collar parts only! |

**WHEEL ASSEMBLY  
with center plate.**

3.625" Wide, 9" Diameter  
**Part No. 1011224**  
use w/ 1011218 listed above.



| Part No. | Description  |
|----------|--------------|
| 1190043  | Axle Housing |



**Cushion Foot Kit (CMS)**

Original equipment on many types of legs.  
10" x 10" ground contact.  
Complete with rubber cushion, nuts and bolts.  
**Part No. 716059**



**Cushion Foot Kit**

Original equipment on 51000 legs.  
10" x 10" square removable cushion foot  
**Part No. LG0048-01**



**GEAR BOX REPAIR KITS:**

- 50,000 legs  
**Part No. RK-11285**  
Mark V
- 51,000 legs  
**Part No. RK-11287**  
Constant Mesh
- Part No. RK-11289**  
Atlas 55
- Part No. RK-11291**  
Atlas 65
- Part No. RK-11443**  
Atlas 65
- Part No. RK-11683**

**SHOE REPAIR KIT FOR JOST / J-MODEL  
10" SQ. CUSH FOOT**

**Part No. C10717K**  
Consists of: B10148 rubber cushion, B10149 retainer plate, C10145.1 housing (2), C10150 base (10")



**CONSTANT MESH  
GEARING KIT**

**Kit Part No. 716037 - Kit Includes:**

- 1 Low Speed Drive gear
- 1 High Speed Drive Gear
- 1 Crankshaft
- 1 5/16" x 1 1/2" Groove Pin
- 1 3/8" x 1 3/8" Roll Pin
- 1 Spacer Tube





**REPLACEMENT LANDING GEAR COMPONENTS**

**CROSS SHAFTS**

**3 Piece Cross Shaft**

| Part No. | Description   |
|----------|---|
| 9260-3   | "A"= 53" to 72"<br>Inner Tube Dia. 1.25" O.D. Outer 1.50" |

**1 Piece Cross Shafts**

| Part No.    | Description            |
|-------------|------------------------|
| 1011235     | "A"=69" Fixed Length   |
| LG0094      | "A"=68" Fixed Length   |
| LG0094-8050 | "A"=80.5" Fixed Length |

**LANDING GEAR HARDWARE KITS:**

**Part No. SQHDWKIT**

**Kit Contents:**

1011235 cross shaft,  
1014438 (7.5") crank handle and  
J4890 brace ears for square legs.

**Part No. SQHDWKIT15**

**Kit Contents:**

1011235 cross shaft, 1014445  
(15")crank handle and J4890 brace  
ears for square legs.

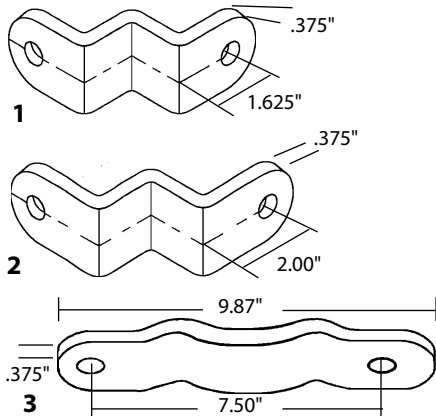
**Crank Hangers**

**Part No. B10261**

**Part No. XB-LG0085**

**Brace Lugs**

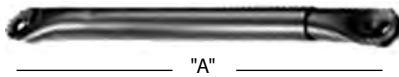
| Item | Part No. | Application  |
|------|----------|--|
| 1    | J4890    | For Square Leg   |
| 2    | 1190554  | For Square Leg   |
| 3    | 1011242  | For Round Leg  |
| 4    | 1013566  | 3/8" 90°   |
| 5    | LG2790   | Holland Mark V<br>(Includes 2 XA-V-1938 & 1 XB-LG0085 crank) |
| 6    | 1011244  | Universal  |
| 7    | C10108   | Jost 90°   |
| 8    | 1011243  | Straight flat lug  |
| 9    | 1011245  | Straight flat lug  |
| 10   | 1011247  | Great Dane plate   |
| 11   | 1011248  | Great Dane flat lug  |
| 12   | 1011249  | Great Dane plate   |



**2 Piece Adjustable Braces**

**Standard Duty**

| Part No.   | "A" Dimension(Below) |
|------------|----------------------|
| 1012589    | 26" to 41"           |
| 1012590    | 42" to 57"           |
| 1012594    | 25" to 34"           |
| 1012596    | 20" to 24"           |
| 1190656    | 58" to 72"           |
| Inner Tube | 1.50" O.D.,          |
| Outer Tube | 1.75" Sched 40 Pipe  |



**2 Piece Adjustable Braces**

**Heavy Duty**

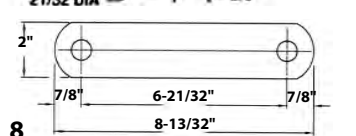
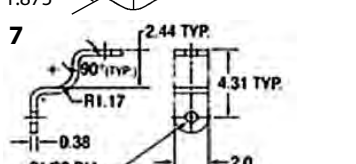
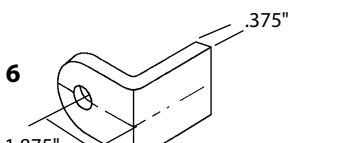
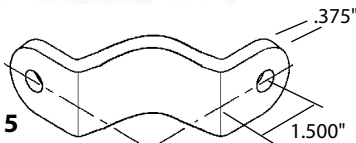
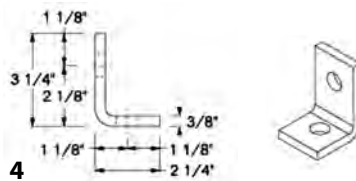
| Part No.   | "A" Dimension(Above) |
|------------|----------------------|
| 1012591    | 26" to 41"           |
| 1012592    | 35" to 54"           |
| 1011233    | 56" to 72"           |
| Inner Tube | 2.0" O.D.,           |
| Outer Tube | 2.0" Sched 40 Pipe   |



**Crank Handle Bolt Kit:**

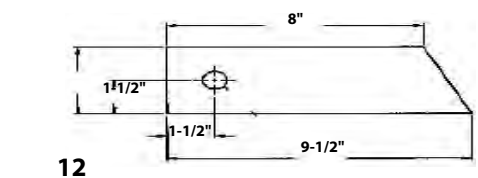
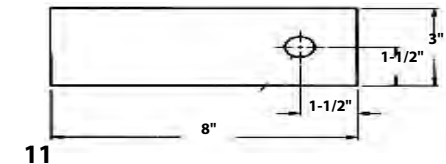
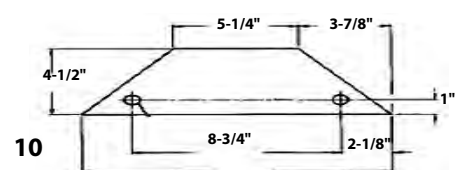
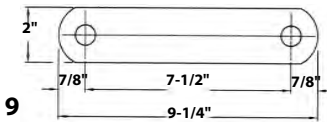
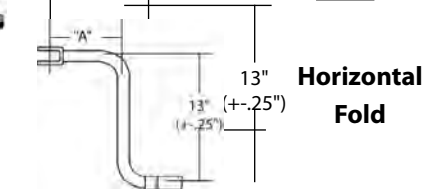
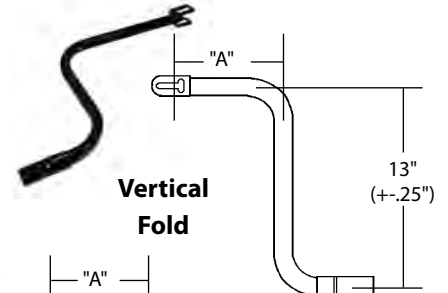
**1157018 (Grade 5)**

1 bolt 3/8-16X3, 1 nyloc nut.



**CRANK HANDLES**

| Part No. | Description          | Size   |
|----------|----------------------|--------|
| 1014438  | Crank, Vertical Fold | 7.5"   |
| 1014442  | Crank, Horiz. Fold   | 7.5"   |
| 1014439  | Crank, Vertical Fold | 11.5"  |
| 1014444  | Crank, Horiz. Fold   | 12"    |
| 1014445  | Crank, Vertical Fold | 15"    |
| 1014446  | Crank, Horiz. Fold   | 15"    |
| 1014440  | Crank, Vertical Fold | 21"    |
| 1014441  | Crank, Horiz. Fold   | 21"    |
| C10591.2 | Crank, Jost Horiz.   | 8.25"  |
| C10591.3 | Crank, Jost Horiz.   | 10.5"  |
| C10592.2 | Crank, Jost Vert.    | 8.25"  |
| C10592.4 | Crank, Jost Vert.    | 17.75" |
| C10592.5 | Crank, Jost Vert.    | 14.75" |

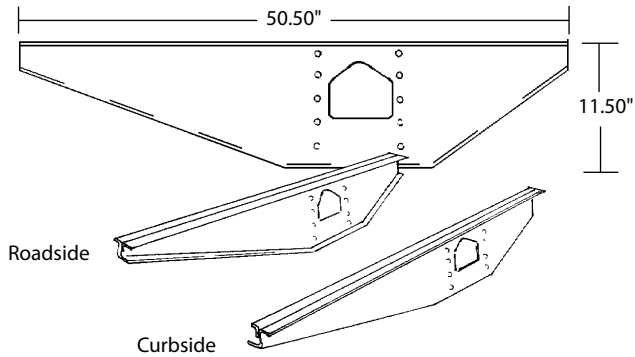




**REPLACEMENT LANDING GEAR COMPONENTS**

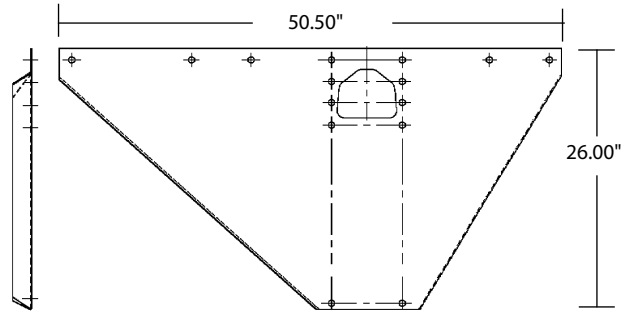
**Landing gear Bracket  
Replacement For Trailmobile**

| Part No.  | Description      |
|-----------|------------------|
| 4-A1-224L | Roadside (Shown) |
| 4-A1-224R | Curbside         |



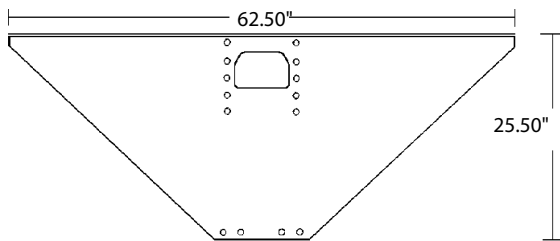
**Landing gear Bracket  
Replacement For Pines**

| Part No. | Description                        |
|----------|------------------------------------|
| 1011238  | Roadside Pines PILGB1315R) (Shown) |
| 1011239  | Curbside Pines PILGB1315L          |



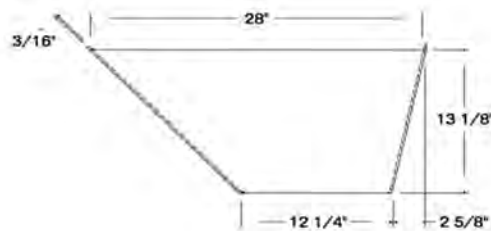
**Landing gear Bracket  
Replacement For Trailmobile**

| Part No. | Description |
|----------|-------------|
| 1190545  | Universal   |



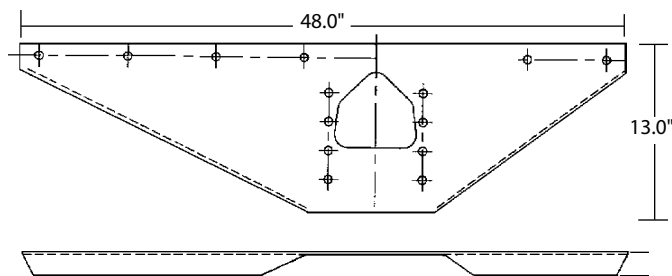
**Landing gear Bracket  
Replacement For Cheetah**

| Part No. | Description              |
|----------|--------------------------|
| 1011236  | Roadside Cheetah         |
| 1011237  | Curbside Cheetah (Shown) |



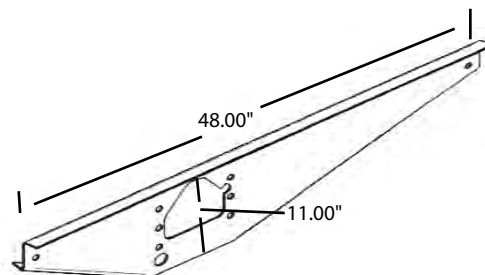
**Landing gear Bracket  
Replacement For Great Dane**

| Part No. | Description           |
|----------|-----------------------|
| 1190541  | Roadside - LH (Shown) |
| 1190540  | Curbside - RH         |



**Landing gear Bracket  
Replacement For Strick**

| Part No. | Description           |
|----------|-----------------------|
| SK03690  | Roadside - LH         |
| SK03691  | Curbside - RH (Shown) |

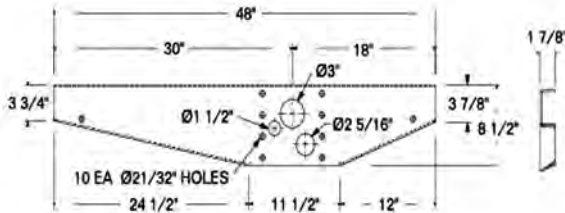




## REPLACEMENT LANDING GEAR COMPONENTS

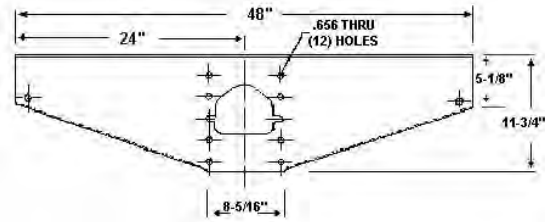
### Landing gear Bracket Replacement For Wabash Style

| Part No.   | Description           |
|------------|-----------------------|
| 700-4-420L | Roadside - LH         |
| 700-4-420R | Curbside - RH (Shown) |



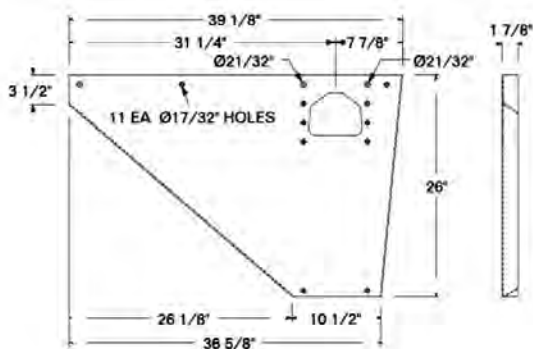
### Landing gear Bracket Replacement For Miller Style

| Part No.  | Description |
|-----------|-------------|
| 700-4-481 | Universal   |



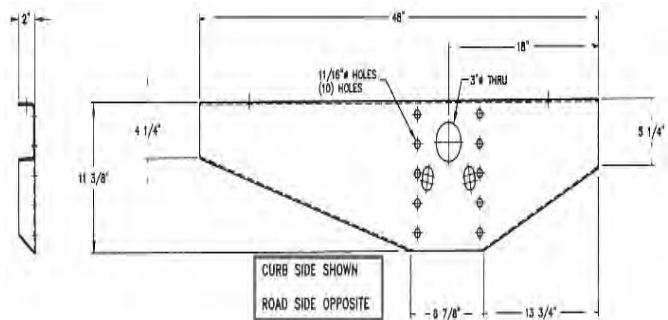
### Landing gear Bracket Replacement For Great Dane Style

| Part No.   | Description           |
|------------|-----------------------|
| 700-4-421L | Roadside - LH         |
| 700-4-421R | Curbside - RH (Shown) |



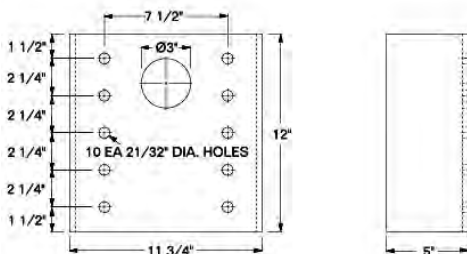
### Landing gear Bracket Replacement For Monon Style

| Part No.   | Description           |
|------------|-----------------------|
| 700-4-501L | Roadside - LH         |
| 700-4-501R | Curbside - RH (Shown) |



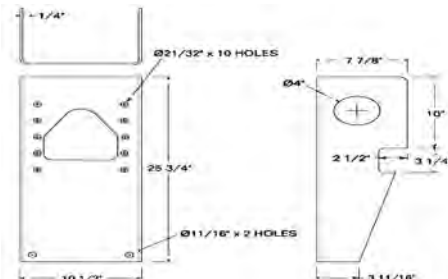
### Landing gear mounting bracket Replacement For ACL Style

| Part No.  | Description            |
|-----------|------------------------|
| 700-4-457 | U-Type, 12", w/3" hole |



### Landing gear mounting bracket Replacement For Cheetah Chassis

| Part No. | Description              |
|----------|--------------------------|
| 1310562  | U-Type, 25.75" w/4" hole |





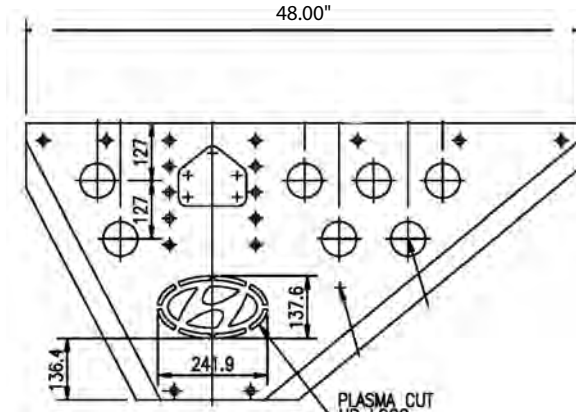
**REPLACEMENT LANDING GEAR COMPONENTS - HYUNDAI TRAILER**

**Landing gear Bracket**

**For Hyundai ( 106-02010)**

Hot Dipped Galvanized (HDG)

| Part No.   | Description              |
|------------|--------------------------|
| HY20059505 | Roadside - LH (Roadside) |
| HY20020857 | Curbside - RH            |

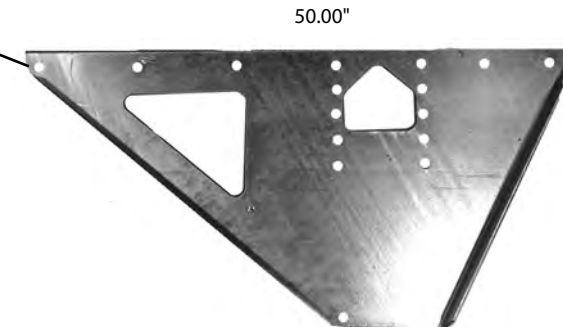


**Landing gear Bracket**

**For Hyundai ( 106-02093)**

Hot Dipped Galvanized (HDG)

| Part No.   | Description              |
|------------|--------------------------|
| HY20037741 | Roadside - LH (Roadside) |
| HY20014038 | Curbside - RH            |



**Landing gear Bracket**

**For Hyundai ( 106-02093)**

Steel, (Non-HDG)

| Part No.   | Description           |
|------------|-----------------------|
| HY20014036 | Roadside - LH         |
| HY20014037 | Curbside - RH (Shown) |

**Landing gear Bracket**

**For Hyundai ( 106-02093)**

With Logo, Hot Dipped Galvanized(HDG)

| Part No.   | Description           |
|------------|-----------------------|
| HY20037409 | Roadside - LH         |
| HY20021680 | Curbside - RH (Shown) |



**Landing gear Bracket**

**For Hyundai - U Type**

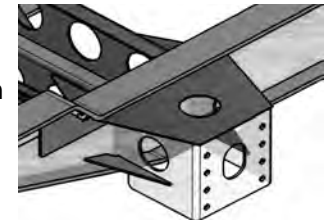
Part No. HY20004441



**Landing gear Bracket**

**For Hyundai ( JB-JN63)**

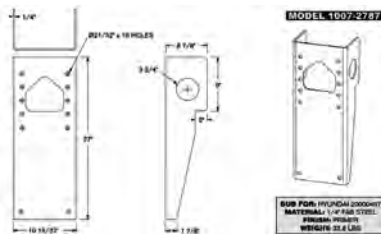
| Part No.   | Description |
|------------|-------------|
| HY20032815 | Left Hand   |
| HY20032816 | Right Hand  |



**Landing gear Bracket**

**For Hyundai - U Type**

Part No. 1310561



**Landing gear Bracket**

**For Hyundai ( JB-JN64)**

HY20032817 Top Cover

**Landing gear Front Support**

**for Hyundai ( 2-38088)**

| Part No.   | Description |
|------------|-------------|
| HY20037504 | Assembly    |



**Landing gear Angled**

**Mounting Bracket**

**For Hyundai - (106-07069)**

Hot Dipped Galvanized

Part No. HY20013538

**Landing gear Angled Mounting Bracket (LH)**

**For Hyundai - (106-07092)**

Part No. HY20001884

**Landing gear Angled Mounting Bracket (RH)**

Part No. HY20005649



## LANDING GEAR - HYUNDAI TRAILER



### Part No. HT421-G3-17-157

#### Capabilities and Ratings:

Maximum Static Load Rating\* 160,000 lbs

Rated Lift Capacity\*\*: 55,000

Side Load Capacity\*: 29,000 per set

\*When properly braced on a trailer.

\*\*With 100ft-lbs input torque.

Gear Ratio

Low Gear: 32 Turns = 1" Travel

High Gear: 3.5 Turns = 1" Travel

#### Design Features:

- Five Year Warranty
- Fully galvanized upper and lower tubes.
- Brace Ears Welded On
- Internal Grease Tube
- Removable Cushion Foot
- Low temperature grease in the gearbox.
- No JOST Nameplate
- Double "D" style shaft allows crank force to go directly into the gearbox, not torquing the bolt.

### Part No. HT451-G3-17-157

#### Capabilities and Ratings:

Maximum Static Load Rating\*170,000 lbs

Rated Lift Capacity\*\*: 62,500

Side Load Capacity\*: 33,000 per set

\*When properly braced on a trailer.

\*\*With 100ft-lbs input torque.

Gear Ratio

Low Gear: 32 Turns = 1" Travel

High Gear: 3.5 Turns = 1" Travel

#### Design Features:

- 10 Year Warranty
- Fully galvanized upper and lower tubes.
- Brace Ears Welded On
- Removable Cushion Foot
- Elevating screw is fully encased in a grease tube.
- Low temperature grease in the gearbox.
- Legs are completely sealed and all shafts have seals to keep moisture out.
- No JOST Nameplate.



DOORS AND DOOR PARTS SECTION





**DOOR FASTENERS AND DOOR CHEMICALS**

**Elevator Bolt Kits - 100/Box**

Full body elevator bolts with Keps nut. Zinc plated.

| Part No.        | Description           |
|-----------------|-----------------------|
| <b>16C420</b>   | 1/4"-20 x 1-1/4" long |
| <b>16C424A</b>  | 1/4"-20 x 1-1/2" long |
| <b>16C628</b>   | 3/8"-16 x 1-3/4" long |
| <b>16C632</b>   | 3/8"-16 x 2" long     |
| <b>04KN-100</b> | 1/4"-20 keps nut      |

**Step Bolts Kits:**

|                    |                  |
|--------------------|------------------|
| <b>18C624</b>      | 3/8" x 1-1/2"    |
| <b>WH10-1003-8</b> | 1/4"-20 x 1-1/4" |



**Introducing a more environmentally-friendly, custom-made lubricant designed specifically for overhead truck doors.**

Thanks to its advanced food-grade quality formula (hence the "FG"), TODCO FG Lube will lubricate springs, rollers, bearings, hinges and locks as effectively as the original TODCO Lube, with minimal environmental impact. All food-grade lubricants must perform the same functions as other lubricants – protect against wear, friction, corrosion and oxidation, and be compatible with rubber and other sealing materials – but prove safer for the environment.

**Steel Tubular Rivets for Overhead Doors - 3/4" Diameter head**

| Part No.       | Size          | Interchange        |
|----------------|---------------|--------------------|
| <b>1026141</b> | 1/4"-1"       | 80841/WH10-1002-3  |
| <b>1026142</b> | 1/4" x 1 1/8" | 80841/WH10-1002-36 |
| <b>1026210</b> | 1/4" x 1 1/4" | 89210/WH10-1002-29 |



| Part No.            | Description                    |
|---------------------|--------------------------------|
| <b>39000-1002FG</b> | Net 4 oz. can, 12 / case       |
| <b>39000-1012FG</b> | Net 12 oz. can, 12 / case      |
| <b>39000-1016FG</b> | One gallon container, 4 / case |

**Door & Operator Multi-Purpose SPRAY LUBE.**

Changes from a fluid to a tough protective grease in minutes. Ideal for hard to reach areas on all door hardware and operator drive mechanisms. Once grease has set up, it will outlast any regular oil or silicone.

| Part No.       | Description          |
|----------------|----------------------|
| <b>1190620</b> | 16 oz. net spray can |



**ROLL-UP DOOR FRAME CONVERSION KITS - SWING DOOR TO ROLLUP DOOR**

**Frame Conversion Kits**

Easily convert swing doors to roll-up doors with these three-piece close-out kits. To install, the swing door is removed, and two vertical side posts and one header post are welded into place. Both are made from 10-gauge (.135) hot-rolled steel for strength and long life. Once they're in place, your trailer is then ready for installation of an overhead door. In a few simple steps, you've gained all the durability and performance advantages of an overhead door.

**Part No. 70411-1 Dry freight Overhead Door Kit**

Consists of one 7" header post and two 2-1/2" vertical side posts. Header is 102" long; side posts are 120" long.

**Part No. 70411-2 Refrigerated Trailer Overhead Door Kit**

Consists of one 9" header post and two 2-1/2" vertical side posts. Header is 102" long; side posts are 120" long.







## TODCO ROLL-UP DOOR ASSEMBLIES

### Standard Feature:

Todco is committed to continually pioneering overhead door technology. A perfect example is the use of premium grade wood in the Transportation Core™, a 3/4" 7-ply, medium density overlay panel. It starts with a premium-grade hardwood outer veneer that virtually eliminates wood grain "telegraphing" for a smoother, more uniform look.



### Other Features Available:

Four-knuckled hinges, stainless steel rivets, self-adjusting springless maximum security locks, quiet nylon tube hinges, space-saver 1" side clearance, rust-inhibiting e-coating, pre-lubed sealed rollers, and recessed hardware.

FOR A TODCO DRY FREIGHT DOOR ASSEMBLY TO COME COMPLETE WITH TRACK AND COUNTERBALANCE PUT THE WORD "KIT" ON THE END OF THE PART NUMBER:

Example: 99610 is a drop in door only, and 99610KIT comes with drop-in door and track and counterbalance. (Side seals not included in kits)

IF we have it available in white, the letters "WH" are after the part number:

Example: 99836 is a drop in door only, and 99836WH is the same door in White. Then, 99836WHKIT comes with white drop-in door and track and counterbalance.

\*Tongue and Groove panels, 1" rollers. Drop-in door includes hardware only.\*

| Door Part No. | Nominal Size | Actual Door Size   | For Opening Size                    | Door Stack - Panel Sizes                            |
|---------------|--------------|--|-------------------------------------|---|
| 99611         | 90x90        | 90Wx89 <sup>3</sup> / <sub>4</sub> "                               | 87 <sup>3</sup> / <sub>4</sub> x90  | 1 15" Bottom, 4 15" Int., 1 14-3/4" Top panel       |
| 99611KIT      | 90x90        | 90Wx89 <sup>3</sup> / <sub>4</sub> "                               | 87 <sup>3</sup> / <sub>4</sub> x90  | 1 15" Bottom, 4 15" Int., 1 14-3/4" Top panel       |
| 99610         | 90x100       | 90Wx99 <sup>3</sup> / <sub>4</sub> "                               | 87 <sup>3</sup> / <sub>4</sub> x100 | 1 15" Bottom, 3 15" Int., 2 11" Int., 1 17-3/4" Top |
| 99610KIT      | 90x100       | 90Wx99 <sup>3</sup> / <sub>4</sub> "                               | 87 <sup>3</sup> / <sub>4</sub> x100 | 1 15" Bottom, 3 15" Int., 2 11" Int., 1 17-3/4" Top |
| 99836         | 98x100       | 97 <sup>1</sup> / <sub>2</sub> Wx99 <sup>3</sup> / <sub>4</sub> "  | 95 <sup>1</sup> / <sub>4</sub> x100 | 1 15" Bottom, 3 15" Int., 2 11" Int., 1 17-3/4" Top |
| 99836KIT      | 98x100       | 97 <sup>1</sup> / <sub>2</sub> Wx99 <sup>3</sup> / <sub>4</sub> "  | 95 <sup>1</sup> / <sub>4</sub> x100 | 1 15" Bottom, 3 15" Int., 2 11" Int., 1 17-3/4" Top |
| 99836WH       | 98x100       | 97 <sup>1</sup> / <sub>2</sub> Wx99 <sup>3</sup> / <sub>4</sub> "  | 95 <sup>1</sup> / <sub>4</sub> x100 | 1 15" Bottom, 3 15" Int., 2 11" Int., 1 17-3/4" Top |
| 99836WHKIT    | 98x100       | 97 <sup>1</sup> / <sub>2</sub> Wx99 <sup>3</sup> / <sub>4</sub> "  | 95 <sup>1</sup> / <sub>4</sub> x100 | 1 15" Bottom, 3 15" Int., 2 11" Int., 1 17-3/4" Top |
| 99837         | 98x105       | 97 <sup>1</sup> / <sub>2</sub> Wx104 <sup>3</sup> / <sub>4</sub> " | 95 <sup>1</sup> / <sub>4</sub> x105 | 1 15" Bottom, 5 15", 1 14-3/4" Top                  |
| 99837KIT      | 98x105       | 97 <sup>1</sup> / <sub>2</sub> Wx104 <sup>3</sup> / <sub>4</sub> " | 95 <sup>1</sup> / <sub>4</sub> x105 | 1 15" Bottom, 5 15", 1 14-3/4" Top                  |
| 99837WH       | 98x105       | 97 <sup>1</sup> / <sub>2</sub> Wx104 <sup>3</sup> / <sub>4</sub> " | 95 <sup>1</sup> / <sub>4</sub> x105 | 1 15" Bottom, 5 15", 1 14-3/4" Top                  |
| 99837WHKIT    | 98x105       | 97 <sup>1</sup> / <sub>2</sub> Wx104 <sup>3</sup> / <sub>4</sub> " | 95 <sup>1</sup> / <sub>4</sub> x105 | 1 15" Bottom, 5 15", 1 14-3/4" Top                  |

**99900T = Track and Counterbalance Kit** is what comes bundled with a drop-in door kit.

It consists of: Counterbalance, LH & RH Vertical Track and LH & RH Horizontal Track.

**Also Available: 50026T = Track and Counterbalance Kit** for 112" door kits.

It consists of: Counterbalance, LH & RH Vertical Track and LH & RH Horizontal Track.

**Other 1" Door Track Available: (see diagrams on following pages for standard track information)**

**49215-1-130:** Horizontal Track, 130" continuous radius, Curbside, Left Hand. **49215-2-130** is Roadside, Right Hand. Shallow header

**49458-1T:** Vertical track, 110" long Curbside, Left Hand. **49458-2T** is Roadside, Right Hand. Straight track, no curve

**49497-1-112:** Vertical track, 112", shallow header, Curbside, Left Hand. **49497-2-112** is Roadside, Right Hand.

**49622-1T:** Horizontal Track, 130", 6" radius, Curbside, Left Hand. **49622-2T** is Roadside, Right Hand. Continuous radius

**49895-5-140:** Horizontal Track, 6" radius, Curbside, Left Hand. Continuous radius, with mounting tabs.

**49895-6-140** is Roadside, Right Hand. Continuous radius, with mounting tabs.



## TODCO ROLL-UP DOOR PANELS

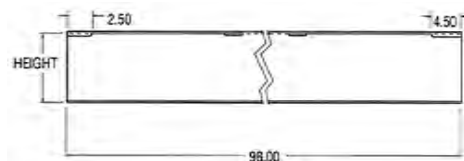
### Todco sets the industry standard for durability and performance.

3/4", 7-ply, medium density overlay plywood panels stand up to the road's worst punishment, mile after mile. Outer hardwood veneer virtually eliminates wood grain "telegraphing."

Inner layers adhered together increase moisture resistance.

Panels have interlocking tongue and groove joint construction.

### Panels are prime-painted.



### INTERMEDIATE PANELS

| Part No.             | Description  |
|----------------------|--|
| <b>29014-11x98</b>   | 11" high, 98" wide, 3/4", plastic covered.         |
| <b>29014-11.5x98</b> | 11.5" high, 98" wide, 3/4", plastic covered.       |
| <b>29014-12x98</b>   | 12" high, 98" wide, 3/4", plastic covered.         |
| <b>29014-13x98</b>   | 13" high, 98" wide, 3/4", plastic covered.         |
| <b>29014-15x98</b>   | 15" high, 98" wide, 3/4", plastic covered.         |
| <b>29014-16x98</b>   | 16" high, 98" wide, 3/4", plastic covered.         |
| <b>29014-18x98</b>   | 18" high, 98" wide, 3/4", plastic covered.         |
| <b>29018-11x98</b>   | 11" high, 98" wide, 3/4", white, aluminum covered. |
| <b>29018-12x98</b>   | 12" high, 98" wide, 3/4", white, aluminum covered. |
| <b>29018-13x98</b>   | 13" high, 98" wide, 3/4", white, aluminum covered. |
| <b>29018-15x98</b>   | 15" high, 98" wide, 3/4", white, aluminum covered. |



### BOTTOM PANELS

#### - come with hardware attached to one side.

(fixtures for opposite side included in package attached to lift handle)

Note: The following items are installed on each panel:

- Bottom angle,   •Bottom seal,   •Bottom fixtures on one side
- Lift Handle,   •Pull Strap,   •Decal

Panels are routed extra long on one side to facilitate hardware installation if trimming panel is necessary.

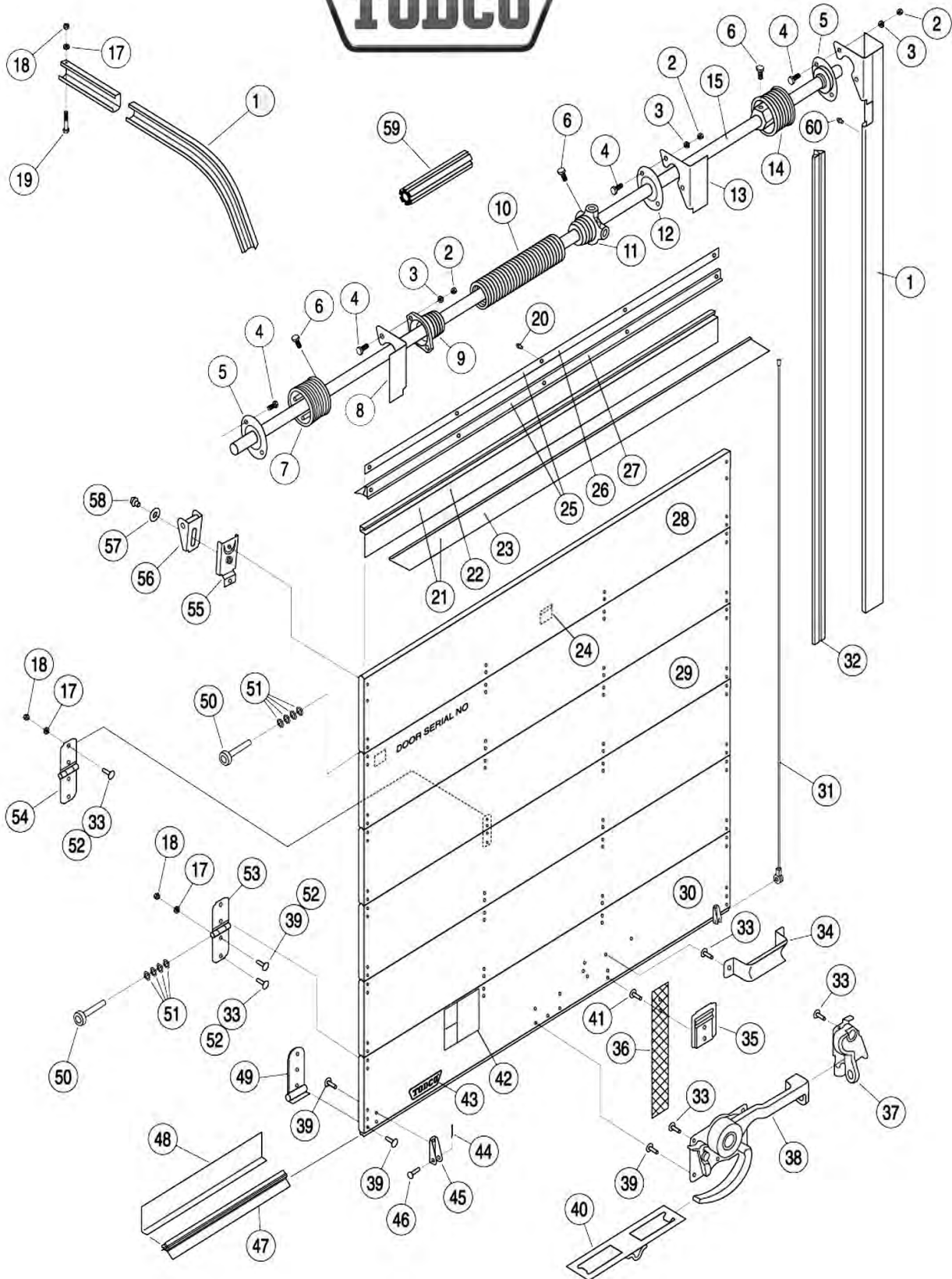
| Part No.             | Description  |
|----------------------|--|
| <b>29016-1-11x98</b> | 11" high, 98" wide, 3/4", plastic covered. (Also available in 90" wide.) |
| <b>29016-1-12x98</b> | 12" high, 98" wide, 3/4", plastic covered. (Also available in 93" wide.) |
| <b>29016-1-13x98</b> | 13" high, 98" wide, 3/4", plastic covered.                               |
| <b>29016-1-15x98</b> | 15" high, 98" wide, 3/4", plastic covered. (Also available in 93" wide.) |
| <b>29016-1-16x98</b> | 16" high, 98" wide, 3/4", plastic covered.                               |
| <b>29016-1-18x98</b> | 18" high, 98" wide, 3/4", plastic covered.                               |

|                    |  |
|--------------------|--|
| <b>29020-11x98</b> | 11" high, 98" wide, 3/4", white, aluminum covered. |
| <b>29020-12x98</b> | 12" high, 98" wide, 3/4", white, aluminum covered. |
| <b>29020-13x98</b> | 13" high, 98" wide, 3/4", white, aluminum covered. |
| <b>29020-15x98</b> | 15" high, 98" wide, 3/4", white, aluminum covered. |





# TODCO 3/4" DOOR ASSEMBLY



**TODCO 3/4" DOOR ASSEMBLY**

| Item | Part No.   | Description   |
|------|------------|---|
| 1    | 49014-1    | Vertical Track Assembly - L.H. (Curbside)                   |
|      | 49014-2    | Vertical Track Assembly - R.H. (Roadside)                   |
| 2    | 80352-518  | Hex Nut - 5/16" NC  |
| 3    | 80322-319  | Lock Washer - 5/16"   |
| 4    | 89186-3    | Hex Head Bolt - 5/16" NC x 7/8"                             |
| 5    | 51038      | Bearing Assembly  |
| 6    | 80300-2414 | Hex Head Set Screw - 3/8" NC x 7/8"                         |
| 7    | 59129-2    | Cable Drum (Alum)- R.H. (Roadside) to 105" Dr. Hgt.         |
|      | 59157-4    | Cable Drum (Alum)- R.H. (Roadside) 105" to 120" Dr. Hgt.    |
| 8    | 51036-2    | Spring Anchor Bracket                                       |
| 9    | 51043      | Spring Anchor Plug 1-3/4" I.D. Spring                       |
|      | 59024      | Spring Anchor Plug 2-1/2" I.D. Spring                       |
| 10   | 51042      | Spring - 1-3/4" I.D.  |
|      | 59031      | Spring - 2-1/2" I.D.  |
| 11   | 59158      | Spring Winding Plug 1-3/4" I.D. Spring                      |
|      | 59159      | Spring Winding Plug 2-1/2" I.D. Spring                      |
| 12   | 59083      | Bearing Assembly - Support Bracket                          |
| 13   | 51036-1    | Support Bracket - L.H. (Curbside)                           |
| 14   | 59129-1    | Cable Drum - (Alum) L.H. (Curbside) to 105" Door Hgt.       |
|      | 59157-3    | Cable Drum - (Alum) L.H. (Curbside) 105" to 120" Dr. Hgt.   |
| 15   | 59290      | Counterbalance Shaft  |
| 16   | 49702-1    | Horizontal Track - L.H. (Curbside)                          |
|      | 49702-2    | Horizontal Track - R.H. (Roadside)                          |
| 17   | 80322-255  | Lock Washer - 1/4" NC                                       |
| 18   | 80352-420  | Hex Nut - 1/4" NC   |
| 19   | 80105-414  | Hex Head Bolt - 1/4" NC x 1-3/4"                            |
| 20   | 89100-2    | Drive Rivet 3/16" Dia. X 15/32" LG.                         |
| 21   | 70001      | Head Seal Assembly (Panel Mounted)                          |
| 22   | 69790      | Retainer - Head Seal (Panel Mounted)                        |
| 23   | 69718      | Head Seal (Panel Mounted)                                   |
| 24   | 70319      | Warning Sticker - Counterbalance                            |
| 25   | 69770      | Head Seal Assembly (Header Mounted)                         |
| 26   | 61403      | Retainer - Head Seal (Header Mounted)                       |
| 27   | 61402      | Head Seal (Header Mounted)                                  |
| 28   | 29013      | Top Panel - ToughShell No Hardware                          |
|      | 29017      | Top Panel - Aluminum Covered                                |
| 29   | 29014      | Intermediate Panel - ToughShell Coated - No Hardware        |
|      | 29018      | Intermediate Panel - Aluminum Covered - No Hardware         |
| 30   | 29016**    | Bottom Panel - ToughShell Coated. **Additional sizes needed |
|      | 29020**    | Bottom Panel - Aluminum Covered. **Additional sizes needed  |
| 31   | 51044      | Cable Assembly - 110" LG. - to 100" Door Height             |
|      | 59004      | Cable Assembly - 115" LG. 100" to 105" Door Height          |
|      | 59003      | Cable Assembly - 130" LG. 105" to 120" Door Height          |
|      | 61390      | Side Seal - Pair  |
| 32   | 89210-0032 | Rivet - 1" LG.  |
| 33   | 61401      | Lift Handle   |
| 34   | 69832      | Pull Strap Retainer   |
| 35   | 80844-1408 | Pull Strap - 30" Straight Standard (44" LG.)                |
| 36   | 69572      | Keeper Assembly   |
| 37   | 69571      | Maximum Security Lock Assembly - Standard                   |
| 38   | 70223      | Maximum Security Lock Assembly - Offset Lever Arm           |
| 39   | 89210-0036 | Rivet - 1-1/8" LG.  |
| 40   | 70093      | Catch Box   |
| 41   | 89210-0044 | Rivet - 1-3/8" LG.  |
| 42   | 70318      | Warning Sticker - Safety Notice                             |
| 43   | 69793      | Name Plate  |
| 44   | 80401-316  | Cotter Pin - 3/32" Dia.                                     |
| 45   | 61204      | Cable Anchor Bracket  |
| 46   | 61026      | Cable Anchor Pin  |
| 47   | 80840      | Bottom Seal   |
| 48   | 61191      | Bottom Angle  |
| 49   | 61352      | Bottom Fixture  |
| 50   | 61174      | Roller  |
| 51   | 80020      | Spacer Washer-Roller  |
| 52   | 80015-0040 | Step Bolt - 1/4" NC x 1-1/4"                                |
| 53   | 69035      | End Hinge   |
| 54   | 61196      | Center Hinge  |
| 55   | 69432      | Base - Adjustable Top Fixture                               |
| 56   | 69431      | Slide - Adjustable Top Fixture                              |
| 57   | 80302-2436 | Flatwasher - 3/8"   |
| 58   | 89049      | E-Lok Bolt - 3/8" NC  |
| 59   | 59092      | Filler Plug - 2-1/2" I.D. Spring                            |
| 60   | 89100-1    | Drive Rivet - 3/16" Dia. x 9/32" LG.                        |

Todco identifies right hand and left hand parts as if **you are standing inside the trailer facing towards the rear.** *This pertains only to Todco.*

**COUNTERBALANCE ASSEMBLIES**

(Counterbalance shafts assembled with springs and related parts)

|     |                  |  |
|-----|------------------|--|
| 15A | <b>59292T</b>    | Counterbalance Assembly, Outside Cables, 98" Shaft                         |
| 15B | <b>59174-90T</b> | Counterbalance Assembly, Outside Cables, 90" Shaft                         |
| 15C | <b>59209T</b>    | Counterbalance Assembly, Shallow Header, 96" Shaft Up to 105" door height. |
| 15D | <b>59220T</b>    | Counterbalance Assembly, Shallow Header, 96" Shaft 105"-112" door height.  |

**COUNTERBALANCE ASSEMBLIES**

Every TODCO counterbalance assembly has been manufactured to meet a custom door specification. TO HELP ENSURE THAT YOU RECEIVE THE CORRECT REPLACEMENT PART OR ASSEMBLY, PLEASE PROVIDE THE DOOR SERIAL NUMBER.

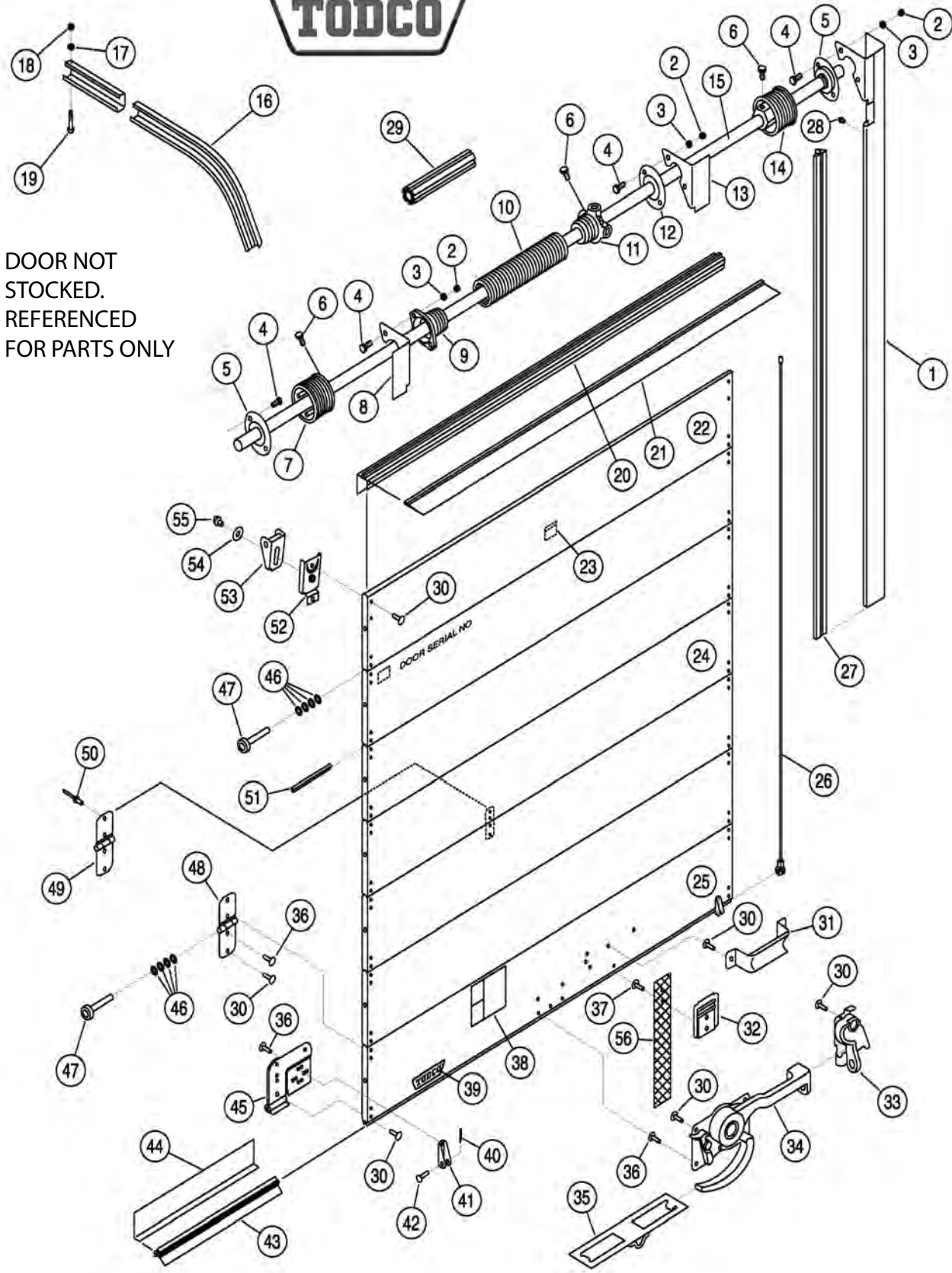
This can be found on the metal tag attached to the inside upper right-hand corner of the door.

If the serial number is unavailable, we must have the following information:

- 1) Inside diameter (I.D.) of the torsion spring.
- 2) Length of the torsion spring.
- 3) Number of coils within 10" of the torsion spring.
- 4) Length of the shaft.
- 5) Part number on each of the 2 cable drums.



# TODCO 1 1/8" POLAR GUARD FIBERGLASS INSULATED DOOR ASSEMBLY



DOOR NOT STOCKED. REFERENCED FOR PARTS ONLY

**TODCO 1 1/8" POLAR GUARD FIBERGLASS INSULATED DOOR ASSEMBLY**

| <b>Item</b> | <b>Part No.</b> | <b>Description</b>                      | <b>Item</b> | <b>Part No.</b> | <b>Description</b>               |
|-------------|-----------------|---|-------------|-----------------|----------------------------------|
| 1           | 49593-1         | Vertical Track Assembly-L.H. (Curbside) | 25          | 29641**         | Bottom Panel - 15"               |
|             | 49593-2         | Vertical Track Assembly-R.H. (Roadside) |             |                 | (With Hardware, No Lock)         |
| 2           | 80352-518       | Hex Nut - 5/16" NC                      | 26          | 51044           | Cable Assembly - 110" Long       |
| 3           | 80322-319       | Lock Washer - 5/16"                     |             |                 | (To 100" Door Height)            |
| 4           | 89186-3         | Hex Head Bolt - 5/16" NC X 7/8"         |             | 59004           | Cable Assembly - 115" Long       |
| 5           | 51038           | Bearing Assembly                        |             |                 | (100" To 105" Door Height)       |
| 6           | 80300-2414      | Hex Head Set Screw 3/8" NC X 7/8"       |             | 59003           | Cable Assembly - 130" Long       |
| 7           | 59129-2         | Cable Drum (Alum) - R.H.                |             |                 | (105" TO 120" Door Height)       |
|             |                 | (Roadside) To 105" Dr. Hgt.             | 27          | 61390           | Side Seal - Pair                 |
|             | 59157-4         | Cable Drum (Alum) - R.H.                | 28          | 89100-1         | Rivet 3/16" Dia. X 9/32"         |
|             |                 | (Roadside) 105" To 120" Dr. Hgt.        | 29          | 59092           | Filler Plug - 2-1/2" I.D. Spring |
| 8           | 51036-2         | Spring Anchor Bracket                   | 30          | 89291-0044      | Rivet - 1-3/8" Stainless Steel   |
| 9           | 51043           | Spring Anchor Plug 1-3/4" I.D. Spring   |             | 80015-0052      | Step Bolt - 1/4" NC X 1-5/8"     |
|             | 59024           | Spring Anchor Plug 2-1/2" I.D. Spring   | 31          | 61401           | Lift Handle                      |
| 10          | 51042*          | Spring- 1-3/4" I.D.                     | 32          | 69832           | Pull Strap Retainer              |
|             | 59031*          | Spring- 2-1/2" I.D.                     | 33          | 69572           | Keeper Assembly                  |
| 11          | 59158           | Spring Winding Plug 1-3/4" I.D. Spring  | 34          | 69571           | Maximum Security Lock            |
|             | 59159           | Spring Winding Plug 2-1/2" I.D. Spring  |             | 70223           | Maximum Security Lock            |
| 12          | 59083           | Bearing Assembly Support Bracket        |             |                 | Offset Lever Arm                 |
| 13          | 51036-1         | Support Bracket -L.H. - (Curbside)      | 35          | 70093           | Catch Box                        |
| 14          | 59129-1         | Cable Drum (Alum) - L.H.                | 36          | 89291-0048      | Rivet 1-1/2" Stainless Steel     |
|             |                 | (Curbside) To 105" Door Hgt.            | 37          | 89291-0052      | Rivet 1-5/8" Stainless Steel     |
|             | 59157-3         | Cable Drum (Alum) - L.H.                | 38          | 70318           | Warning Sticker - Safety Notice  |
|             |                 | (Curbside) 105" To 120" Dr. Hgt.        | 39          | 69793           | Name Plate                       |
| 15          | 59290           | Counterbalance Shaft                    | 40          | 80401-316       | Cotter Pin - 3/32" Dia.          |
| 16          | 49702-1         | Horizontal Track - L.H.(Curbside)       | 41          | 61204           | Cable Anchor Bracket             |
|             | 49702-2         | Horizontal Track - R.H.(Roadside)       | 42          | 61026           | Cable Anchor Pin                 |
| 17          | 80322-255       | Lock Washer - 1/4" NC                   | 43          | 70084           | Bottom Seal                      |
| 18          | 80352-420       | Hex Nut - 1/4" NC                       | 44          | 69110           | Bottom Angle                     |
| 19          | 80105-414       | Hex Head Bolt - 1/4" NC x 1-3/4"        | 45          | 70082-2         | Bottom Fixture                   |
| 20          | 70083           | Top Cap                                 |             |                 | - R.H. (Roadside)                |
| 21          | 69718           | Head Seal - Panel Mounted               |             | 70082-1         | Bottom Fixture                   |
| 22          | 29652           | Top Panel w/ Top Cap                    |             |                 | - L.H. (Curbside)                |
|             |                 | (Specify Panel Height & Weight)         | 46          | 80020           | Space Washer - Roller            |
| 23          | 70319           | Warning Sticker - C/B                   | 47          | 69162           | Roller - Sealed                  |
| 24          | 29650           | Intermediate Panel - 11"                | 48          | 69035           | End Hinge                        |
|             |                 | (Specify Panel Length)                  | 49          | 61196           | Center Hinge                     |
|             | 29651           | Intermediate Panel - 15"                | 50          | 89113-1         | Blind Rivet-1/4" Dia. X 1/4"     |
|             |                 | (Specify Panel Length)                  | 51          | 69989           | Joint Seal                       |
| 25          | 29640**         | Bottom Panel - 11"                      | 52          | 69432           | Base - Adjustable Top Fixture    |
|             |                 | (With Hardware, No Lock)                | 53          | 69431           | Slide - Adjustable Top Fixture   |
|             |                 |   | 54          | 80302-2436      | Flatwasher - 3/8"                |
|             |                 |   | 55          | 89049           | E-LOK Bolt - 3/8" NC             |
|             |                 |   | 56          | 80844-1408      | Pull Strap - 30" Straight        |
|             |                 |   |             |                 | Standard - (44" LG.)             |

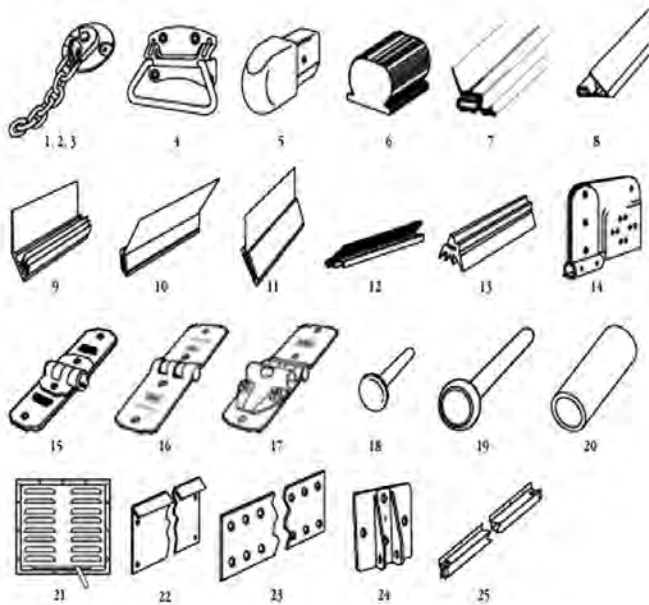
\*\* Parts need additional sizes, to determine part number.

**Note:**  
Some items will  
have to be  
special ordered.





**TODCO 3/4" DRY FREIGHT ACCESSORY PARTS**



| <b>Part No.</b> | <b>Description</b>           |
|-----------------|------------------------------|
| 69807T          | Lifeguard Lock assembly      |
| 70223T          | MAXIMUM security lock assy   |
| 70493T          | Bottom bracket, Armour plate |
| 70465-2816      | Reinforcement strap          |

**TODCO ROLLARAMP® PARTS:**

| <b>Part No.</b> | <b>Description</b>            |
|-----------------|-------------------------------|
| 39504-1         | Handle, breakaway, left hand  |
| 39504-2         | Handle, breakaway, right hand |
| 39542T          | Ramp hook, for 16' ramps      |



| <b>Item</b> | <b>Part No.</b> | <b>Description</b>                             | <b>Item</b> | <b>Part No.</b> | <b>Description</b>                      |
|-------------|-----------------|--|-------------|-----------------|---|
| 1           | 61223           | Back Plate - Safety Chain                      | 16          | 70238           | Center Hinge - High Strength            |
| 2           | 61229           | Safety Chain                                   |             | 61196.0000.38   | Center Hinge - EverWare                 |
| 3           | 69020           | Safety Chain Lock Assbly                       | 17          | 70311           | End Hinge - Removable Roller            |
| 4           | 69325           | Drop Lift Handle                               |             |                 |   |
| 5           | 69353           | Head Protector (Yellow)                        | 18          | 89291-0032      | Rivet - 1" Stainless Steel              |
| 6           | 61398           | Bumper Stop (Black)                            |             | 89291-0036      | Rivet - 1-1/8" Stainless Steel          |
| 7           | 70131           | Side Seal - Dual Lip                           |             | 89291-0040      | Rivet - 1-1/4" Stainless Steel          |
| 8           | 69840           | Side Seal - Extended Lip                       |             | 89291-0042      | Rivet - 1-5/16" Stainless Steel         |
| 9           | 70338           | Side Seal Assbly - Push in 1/2" Track Spacing. |             | 89291-0044      | Rivet - 1- 3/8" Stainless Steel         |
| 10          | 69922           | Side Seal Assembly                             |             | 89291-0048      | Rivet - 1-1/2" Stainless Steel          |
| 11          | 70105           | Side Seal Assembly Secondary                   | 19          | 69162           | Roller - 1" Sealed                      |
| 12          | 70232           | Side Seal Assembly - 1" Brush                  |             | 70305           | Roller - 1" Sealed (Precision Machined) |
|             | 70313           | Side Seal Assembly - 1-1/2" Brush              | 20          | 51078           | Spring Silencer Boot                    |
| 13          | 89204           | Bottom Seal - Heavy Duty                       | 21          | 69085           | Polar Vent - Aluminum                   |
| 14          | 69964-1         | Bottom Fixture Assembly H.D./L.H. (Curbside)   | 22          | 70306-0512      | Forklift Plate - Aluminum (16" Long)    |
|             | 69964-2         | Bottom Fixture Assembly H.D./R.H. (Roadside)   |             | 70306-1152      | Forklift Plate - Aluminum (36" Long)    |
| 15          | 70236           | End Hinge - High Strength                      | 23          | 69111           | Reinforcement Strap                     |
|             | 69035.0000.38   | End Hinge - EverWare                           | 24          | 59193           | Heavy Duty Cable Anchor Bracket         |
|             |                 |  | 25          | 39582           | Load Bar                                |



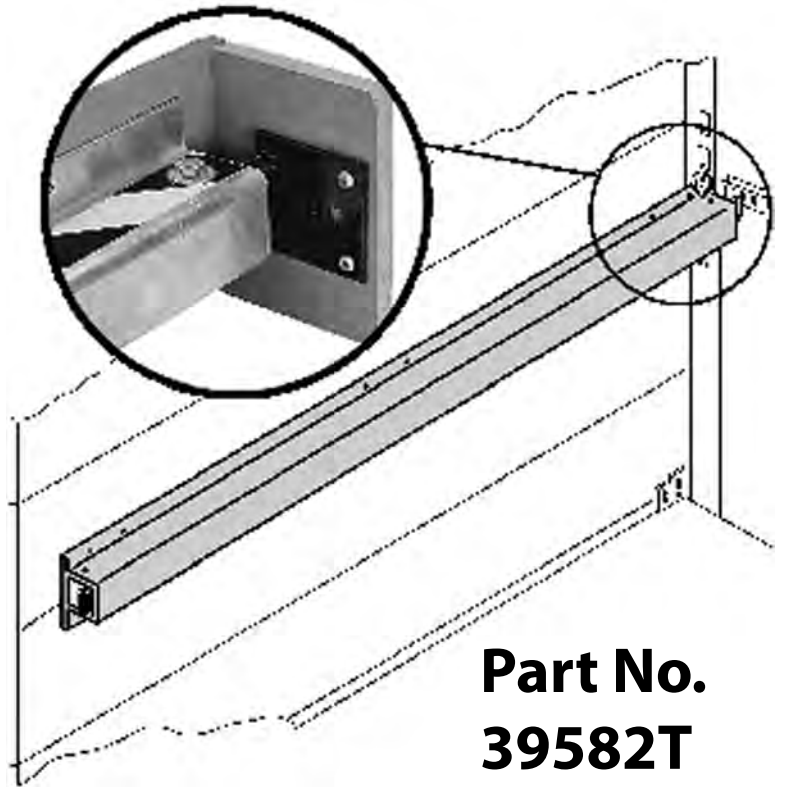
**TODCO LOAD BAR DOOR SAVER**

**If you haul mail carts or other cargo that may be unsecured, TODCO DoorGuard™ will protect your doors from knocks and bangs.**



- One size fits all 96" to 102" wide trailers.
- Kits include all necessary hardware and fasteners for your specific door, plus installation instructions.

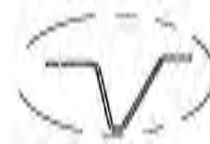
Universal Door Saver load bar.  
U.S. Post Office Spec.  
Complete with catch assembly and camtainers.



**Hyundai Door Track Protector**

**Part No. HY20044476**  
Track Protector - LH. 36"  
113-19139 - Hot Dipped Galvanized.

**Part No. HY20044477**  
Track Protector - RH. 36"  
113-09139 - Hot Dipped Galvanized.







## TODCO GENUINE REPLACEMENT PARTS

### Steel Rollers, 1" Diameter

| Part No. | Application             |
|----------|-------------------------|
| 1190653  | Dry & Insulated Doors   |
| 61174T   | Dry & Insulated Doors   |
| 69162T   | Sealed roller           |
| 70305T   | Sealed Precision roller |



Look at just about any roll up door lock in the industry, and it'll look familiar. The basic design originated with TODCO over 2.8 million locks ago. And while it's been copied, it's never been matched. The TODCO Maximum Security lock is stronger, tougher and operates with more assurance.

**Self-adjusting.** Our specially designed hook utilizes gravity (not springs) to keep the door tight against the sill, even on the bumpiest of roads. This prolongs the life of the door, and better protects your cargo.

**Rust protection.** Zinc coating extends the life of the lock, and helps ensure years of reliable operation.

### Rear Lock & Keeper

| Part No. | Description           |
|----------|-----------------------|
| 69571T   | Maximum Security Lock |
| 69572T   | Keeper Assembly       |
| 70057T   | Lock Shim, 3/8"       |
| 70058T   | Keeper Shim, 3/8"     |



### Lift Handle

| Part No. | Application           |
|----------|-----------------------|
| 61401T   | Dry & insulated doors |



### Bearing Assembly

| Part No. | Application           |
|----------|-----------------------|
| 51038T   | Dry & insulated doors |



### Bottom Fixtures

| Part No. | Application                                 |
|----------|---|
| 61352T   | Dry freight door (shown)                    |
| 69986-1T | Curbside                                    |
| 69986-2T | Curbside                                    |
| 70125T   | Top half roller cover for 69986-1T/69986-2T |



### Center Hinge

| Part No. | Application           |
|----------|-----------------------|
| 61196T   | Dry & insulated doors |



### End Hinges

| Part No. | Application           |
|----------|-----------------------|
| 69035T   | Dry & insulated doors |
| 70311T   | 2 Piece Removable     |
| 70236T   | Heavy Duty End Hinge  |



### Adj. Top Fixture Assembly

| Part No. | Applications                      |
|----------|-----------------------------------|
| 69433T   | Assembly<br>Dry, 1-1/8" insulated |
| 69431T   | Slide of top fixture              |
| 69432T   | Base of top fixture               |



### Cable Drums (3/8"NC x 7/8" Hex head set screw)

| Part No. | Description                   |
|----------|-------------------------------|
| 59129-1T | Up to 105" cable (Curbside)   |
| 59129-2T | Up to 105" cable (Roadside)   |
| 59157-3T | 105" to 120" cable (Curbside) |
| 59157-4T | 105" to 120" cable (Roadside) |



### Pull Straps

| Part No. | Application        |
|----------|--------------------|
| 80844-1T | 50' roll (Bulk)    |
| 70393T   | 30" long, straight |



### Pull Strap Retainer

|        |         |
|--------|---------|
| 69832T | Various |
|--------|---------|





## WHITING ROLL-UP DOOR ASSEMBLIES

### The roll-up door that made Whiting famous

The world's first practical roll-up truck/trailer doors, introduced by Whiting in 1953. Now better than ever! Designed and built by Whiting in their own plants with heavy-duty components manufactured with the finest quality materials, their PREMIUM QUALITY Roll-up Doors are the finest quality dry freight roll-up doors on the market. Parts designed for quick and easy replacement save downtime so Whiting doors cost less to own. With Whiting doors you get World Class Quality...Made in the U.S.A.!

### Standard Features:

- Premium grade 7 ply, 3/4" panels manufactured with a medium density overlay (MDO) laminated to smooth hardwood outer veneers of Transportation Core™ plywood, all designed for optimum strength and appearance.
- 2" track and nylon rollers for durability.
- Tongue and groove joint.
- 2 cable balancer with independent spring for each cable.
- Springs treated with rust preventative.
- 4 rows of hinges.
- Patented roller change hinge design.
- Rigid bottom steel U-channel or aluminum channel with replaceable seal.
- Coated steel or stainless steel rivets.
- Prime painted at factory.
- Door hardware E-COATED.



**FOR A WHITING PREMIUM 2" ROLLER DRY FREIGHT DOOR ASSEMBLY TO COME COMPLETE WITH TRACK AND COUNTERBALANCE PUT THE WORD "KIT" ON THE END OF THE PART NUMBER:** For Example:  
WH90x90BS is a drop in door only.  
WH90x90KIT comes with drop-in door and track and counter balance.



### KITS have these parts included:

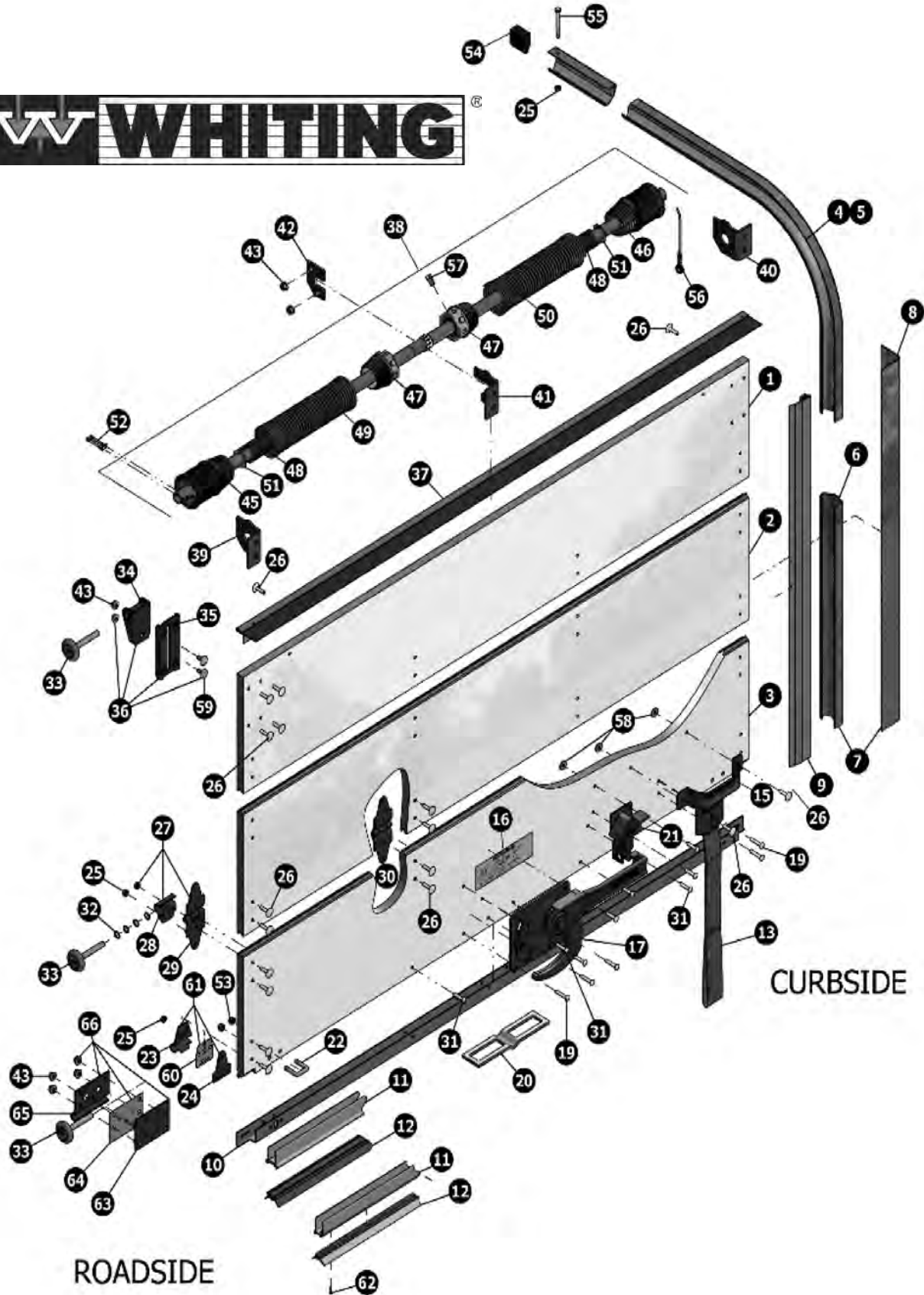
**Counter balance, LH & RH Horizontal tracks, LH & RH Vertical tracks.**

**NOTE: Side seals are not included with door kits. Order separately if desired. "BS" Doors and Door Kits have bottom seal included.**

| Door Part No.   | Nominal Size | Actual Door Size | For Door Opening Size  | Door Stack - Panel Sizes - Info                           |
|-----------------|--------------|------------------|--|---|
| WH90X90BS       | 90x90        | 90Wx90H          | 87 <sup>3</sup> / <sub>4</sub> x87 <sup>3</sup> / <sub>4</sub> | 1 11.5" Bottom, 4 15.5" Int., 1 16.5" Top                 |
| WH90X90BSKIT    | 90x90        | 90Wx90H          | 87 <sup>3</sup> / <sub>4</sub> x90                             | 1 11.5" Bottom, 4 15.5" Int., 1 16.5" Top                 |
| WH90X100BS      | 90x100       | 90Wx100H         | 87 <sup>3</sup> / <sub>4</sub> x97 <sup>3</sup> / <sub>4</sub> | 1 15" Bottom, 3 15" Int., 2 11.5" Int., 1 17" Top         |
| WH90X100BSKIT   | 90x100       | 90Wx100H         | 87 <sup>3</sup> / <sub>4</sub> x100                            | 1 15" Bottom, 3 15" Int., 2 11.5" Int., 1 17" Top         |
| WH90X100BSWH    | 90x100       | 90Wx100H         | 87 <sup>3</sup> / <sub>4</sub> x97 <sup>3</sup> / <sub>4</sub> | 1 15" Bottom, 3 15" Int., 2 11.5" Int., 1 17" Top         |
| WH90X100BSWHKIT | 90x100       | 90Wx100H         | 87 <sup>3</sup> / <sub>4</sub> x100                            | 1 15" Bottom, 3 15" Int., 2 11.5" Int., 1 17" Top         |
| WH98X100BS      | 98x100       | 98Wx100H         | 95 <sup>3</sup> / <sub>4</sub> x97 <sup>3</sup> / <sub>4</sub> | 1 15" Bottom, 3 15" Int., 2 11.5" Int., 1 17" Top         |
| WH98X100BSKIT   | 98x100       | 98Wx100H         | 95 <sup>3</sup> / <sub>4</sub> x100                            | 1 15" Bottom, 3 15" Int., 2 11.5" Int., 1 17" Top         |
| WH98X107BS      | 98x107       | 98Wx107H         | 95 <sup>3</sup> / <sub>4</sub> x107                            | 1 15" Bottom, 5 15" Int., 1 17" Top                       |
| WH98X107BSKIT   | 98x107       | 98Wx107H         | 95 <sup>3</sup> / <sub>4</sub> x107                            | 1 15" Bottom, 5 15" Int., 1 17" Top                       |
| WH98X107BSWH    | 98x107       | 98Wx107H         | 95 <sup>3</sup> / <sub>4</sub> x107                            | 1 15" Bottom, 5 15" Int., 1 17" Top (White w/bottom seal) |
| WH98X107BSWHKIT | 98x107       | 98Wx107H         | 95 <sup>3</sup> / <sub>4</sub> x107                            | 1 15" Bottom, 5 15" Int., 1 17" Top (White w/bottom seal) |



# WHITING PREMIUM 3/4" DRY FREIGHT DOOR ASSEMBLY



ROADSIDE

CURBSIDE

**WHITING PREMIUM 3/4" DRY FREIGHT DOOR ASSEMBLY**

| <b>Item</b> | <b>Part No.</b>     | <b>Description</b>  |
|-------------|---------------------|---|
| 2           | WH242               | INTERMEDIATE PANEL - PLASTIC - SHIP LAP JOINT (SPECIFY LENGTH & WIDTH)                                  |
| 2           | WH342               | INTERMEDIATE PANEL - PLASTIC - TONGUE & GROOVE JOINT (SPECIFY LENGTH & WIDTH)                           |
| 2           | AND OTHERS          | OTHER PANEL TYPES AVAILABLE TO ORDER  |
| 3           | WH243               | BOTTOM PANEL PLAIN - PLASTIC - SHIP LAP JOINT (SPECIFY LENGTH & WIDTH)                                  |
| 3           | WH343               | BOTTOM PANEL PLAIN - PLASTIC - TONGUE & GROOVE JOINT ( SPECIFY LENGTH & WIDTH)                          |
| 3           | WH345               | BOTTOM PANEL PLAIN - PLASTIC - TONGUE & GROOVE JOINT WITH CUTOUT AND SEAL ( SPECIFY LENGTH & WIDTH)     |
| 3           | WH353               | BOTTOM PANEL PLAIN -ALUMINUM CLAD- TONGUE & GROOVE JOINT WITH CUTOUT AND SEAL ( SPECIFY LENGTH & WIDTH) |
| 4           | <b>WH11-2</b>       | 2" HORIZONTAL TRACK, CURBSIDE, 8" RADIUS, 130" LONG   |
| 5           | <b>WH11-3</b>       | 2" HORIZONTAL TRACK, ROADSIDE, 8" RADIUS, 130" LONG   |
| 6           | <b>WH1031</b>       | 2" VERTICAL TRACK, 130" LONG (ROADSIDE OR CURBSIDE)   |
| 7           | <b>WH2275-1-100</b> | VERTICAL TRACK AND MOUNTING ANGLE ASSEMBLY - CURBSIDE (FOR UP TO 100" DOOR)                             |
| 7           | <b>WH2275-1-107</b> | VERTICAL TRACK AND MOUNTING ANGLE ASSEMBLY - CURBSIDE (FOR UP TO 107" DOOR)                             |
| 7           | <b>WH2275-2-100</b> | VERTICAL TRACK AND MOUNTING ANGLE ASSEMBLY - ROADSIDE (FOR UP TO 100" DOOR)                             |
| 7           | <b>WH2275-2-107</b> | VERTICAL TRACK AND MOUNTING ANGLE ASSEMBLY - ROADSIDE (FOR UP TO 107" DOOR)                             |
| 8           | WH61                | MOUNTING ANGLE (SPECIFY LENGTH & SIZE)  |
| 9           | <b>WH5423</b>       | SIDE SEAL, 110" LONG  |
| 10          | <b>WH18-3X96</b>    | BOTTOM U-CHANNEL, 96"   |
| 10          | <b>WH1801</b>       | BOTTOM U CHANNEL SEAL RETAINER - ALUMINUM   |
| 12          | <b>WH1676X96</b>    | BOTTOM SEAL, 96" LONG   |
| 13          | WH9723              | PULL DOWN STRAP (WH9723 = 19" LONG, WH9723-1 = 32" LONG WH9723-11 = 60" LONG )                          |
| 15          | <b>WH1715</b>       | GRAB HANDLE   |
| 16          | WH232323            | DO NOT REMOVE DECAL   |
| 17          | <b>WH77</b>         | LOCK ASSEMBLY, NO KEEPER  |
| 19          | WH10-1002-9         | RIVET, 1/4" X 1-5/16", 1/2" DIA. HEAD   |
| 20          | <b>WH2804</b>       | LATCH PLATE   |
| 21          | <b>WH7515</b>       | HANDLE KEEPER   |
| 22          | <b>WH70-13</b>      | CABLE ANCHOR, 1-1/4" U-BOLT   |
| 23          | <b>WH1021</b>       | BOTTOM ROLLER SHAFT COVER   |
| 24          | <b>WH1370</b>       | BOTTOM ROLLER BRACKET STUD PLATE  |
| 25          | WH10-1022-1         | KEP NUT, 1/4-20   |
| 26          | WH10-1002-3         | RIVET, 1/4 X 1, 3/4" DIA. HEAD, CADMIUM PLATED STEEL.   |
| 27          | <b>WH1209A</b>      | ROLLER HINGE COMPLETE WITH COVER CLAMP AND NUTS   |
| 28          | <b>WH1208</b>       | ROLLER HINGE COVER CLAMP  |
| 29          | <b>WH1207</b>       | ROLLER HINGE  |
| 30          | <b>WH15</b>         | CENTER HINGE  |
| 31          | WH10-1002-11        | RIVET, 1/4" X 1-1/8", 1/2" DIA. HEAD  |
| 32          | WH6                 | SPACER WASHER   |
| 33          | <b>WH3228</b>       | 2" NYLON ROLLER (PART NUMBER 1190654 CAN BE SUBSTITUTED)  |
| 33          | <b>WH2996</b>       | 2" STEEL ROLLER (PART NUMBER 1190664 CAN BE SUBSTITUTED)  |
| 34          | <b>WH6943</b>       | TOP CLOSURE SLIDE   |
| 35          | <b>WH1264</b>       | TOP CLOSURE BASE WITH NUTS AND BOLTS  |
| 36          | <b>WH6944</b>       | TOP CLOSURE ASSEMBLY COMPLETE   |
| 37          | <b>WH4032-98</b>    | TOP SEAL, 98" LONG  |
| 38          | <b>WH2376</b>       | BALANCER ASSEMBLY, 87" OR 96"   |
| 39          | <b>WH2524</b>       | BALANCER BRACKET - ROADSIDE   |
| 40          | <b>WH2523</b>       | BALANCER BRACKET - CURBSIDE   |
| 41          | <b>WH2525</b>       | BALANCER BRACKET, CENTER  |
| 42          | <b>WH2526</b>       | CLAMP ASSEMBLY  |
| 43          | WH10-1063-1         | SELF LOCKING NUT, 5/16"-18  |
| 44          | <b>WH2528</b>       | BALANCER SHAFT, 96" LONG  |
| 45          | <b>WH2547</b>       | CABLE DRUM AND BEARING ASSEMBLY - ROADSIDE  |
| 46          | <b>WH2548</b>       | CABLE DRUM AND BEARING ASSEMBLY - CURBSIDE  |
| 47          | <b>WH2518</b>       | WINDING CONE  |
| 48          | WH2471              | SPRING SPACER   |
| 49          | WH2704              | TORSION SPRING - ROADSIDE, LH WOUND   |
| 50          | WH2705              | TORSION SPRING - CURBSIDE, RH WOUND   |
| 51          | WH2522              | THRUST WASHER   |
| 52          | WH10-1009-8         | COTTER PIN (3/16" X 1-1/2")   |
| 53          | WH10-1033-2         | TORQUE NUT (5/16"-18)   |
| 54          | WH83                | 2" TRACK STOP BUMPER  |
| 55          | WH10-1010-3         | BOLT, 1/4"-20 X 2-1/2"  |
| 56          | WH1-xx              | 1/8" STAINLESS STEEL CABLE WITH 5/16" EYE. (SEE REPLACEMENT CABLES)                                     |
| 57          | WH2699              | SET SCREW 3/8-16 X 5/8  |
| 58          | WH10-1006-1         | WASHER, 1/4 X 3/4   |
| 59          | WH2370              | BOLT, 5/16 X 5/8  |
| 60          | WH5726              | WEAR PLATE, FOR DOORS WITH BOTTOM SEAL  |
| 61          | <b>WH1371-A</b>     | COMPLETE BOTTOM BRACKET WITH COVER  |
| 62          | WH10-1068-1         | DRIVE SCREW (13 X 3/4)  |
| 63          | WH5509              | STUD PLATE  |
| 64          | WH5504              | WEAR PLATE  |
| 65          | WH5502              | BOTTOM ROLLER CLAMP   |
| 66          | <b>WH5600</b>       | BOTTOM ROLLER BRACKET ASSEMBLY  |

**Note:**

**Curbside and roadside** parts for Whiting doors are identified as if you were standing outside, at the rear of the vehicle, facing forward.





## WHITING ROLL-UP DOOR PANELS

### Standard Features:

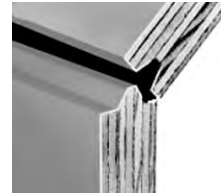
Premium grade 7 ply, 3/4" panels manufactured with a medium density overlay (MDO), laminated to smooth hardwood outer veneers of Transportation Core™ plywood, all designed for optimum strength and appearance.

Tongue-and-groove type or ship lap joint. Panels are prime-painted and plastic coated.



### INTERMEDIATE PANELS

| Part No.             | Description  |
|----------------------|--|
| <b>WH242-12x98</b>   | 12" high, 98" wide, 3/4", primed, ship lap joint.      |
| <b>WH242-15x98</b>   | 15" high, 98" wide, 3/4", primed, ship lap joint.      |
| <b>WH342-11x98</b>   | 11" high, 98" wide, 3/4", primed, tongue and groove.   |
| <b>WH342-11.5x98</b> | 11.5" high, 98" wide, 3/4", primed, tongue and groove. |
| <b>WH342-12x98</b>   | 12" high, 98" wide, 3/4", primed, tongue and groove.   |
| <b>WH342-15x98</b>   | 15" high, 98" wide, 3/4", primed, tongue and groove.   |



### BOTTOM PANELS

| Part No.             | Description  |
|----------------------|--|
| <b>WH243-15x98</b>   | 15" high, 98" wide, 3/4", primed, plain ship lap joint, no channel or seal.                      |
| <b>WH343-11.5x98</b> | 11.5" high, 98" wide, 3/4", primed, tongue and groove, plain ship lap joint, no channel or seal. |
| <b>WH345-2-15x98</b> | 15" high, 96" wide, 3/4", primed, tongue & groove, with steel u-channel, no channel or seal.     |
| <b>WH345-3-11x98</b> | 11" high, 98" wide, 3/4", primed, tongue & groove, with aluminum channel and seal.               |
| <b>WH345-3-12x98</b> | 12" high, 98" wide, 3/4", primed, tongue & groove, with aluminum channel and seal.               |
| <b>WH345-3-15x98</b> | 15" high, 98" wide, 3/4", primed, tongue & groove, with aluminum channel and seal.               |
| <b>WH353-15x98</b>   | 11" high, 98" wide, 3/4", aluminum clad, tongue & groove, white, no channel or seal.             |



**GENUINE WHITING REPLACEMENT PARTS**

**Lock Assembly, Less keeper**

|                 |                       |
|-----------------|-----------------------|
| <b>Part No.</b> | <b>Application</b>    |
| WH77            | For 3/4" door         |
| WH77-1          | Offset, for 3/4" door |
| WH4077          | Rear Cam lock         |
| WH77KIT         | Lock & Keeper Kit     |



**Lock keeper**

|                 |                    |
|-----------------|--------------------|
| <b>Part No.</b> | <b>Application</b> |
| WH7515          | For 3/4" door      |

**2" Patented Steel Roller**

|                 |                    |
|-----------------|--------------------|
| <b>Part No.</b> | <b>Application</b> |
| WH2996          | 2" steel (1190664) |



**2" Steel Roller with 5" Shaft**

|          |                      |
|----------|----------------------|
| WH2996-3 | Roller with 5" Shaft |
|----------|----------------------|

**2" Nylon Roller**

|                 |                           |
|-----------------|---------------------------|
| <b>Part No.</b> | <b>Application</b>        |
| WH3228          | 2" nylon roller (1190654) |



**Roller Hinge w/Cover**

|                 |                              |
|-----------------|------------------------------|
| <b>Part No.</b> | <b>Application</b>           |
| WH1209A         | Assy. 3/4" & insulated doors |
| WH1207          | Hinge, less WH1208 cover     |
| WH1208          | Cover clamp only for 1209    |



**Center Hinge**

|                 |  |
|-----------------|--|
| <b>Part No.</b> | <b>Application</b>                       |
| WH15            | 3/4" & insulated doors                   |
| WH2915          | For Cargo Saver Door                     |
| WH33            | Hinge pin, knurled and hardened for WH15 |



**Top Closure Bracket**

|                 |                                    |
|-----------------|------------------------------------|
| <b>Part No.</b> | <b>Application</b>                 |
| WH6944          | Assembly - Both Pcs.               |
| WH6943          | Slide bracket only                 |
| WH1264          | Base only, includes bolts and nuts |

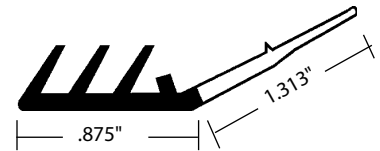
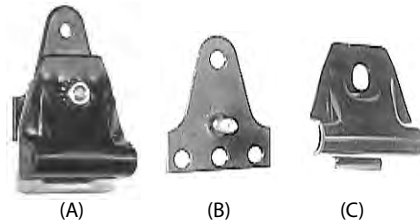


**Double Cable Balancer Assembly For Whiting Premium 3/4" Door**

|                 |                        |                 |                 |                 |
|-----------------|------------------------|-----------------|-----------------|-----------------|
| <b>Part No.</b> | <b>Application</b>     | <b>Curbside</b> | <b>Center</b>   | <b>Roadside</b> |
| WH2528          | Operator Shaft - 96"   |                 |                 |                 |
| WH2376-87       | For 96" wide trailers  | WH2523          | WH2525 & WH2526 | WH2524          |
| WH2376-93H      | For 112" wide trailers | WH2523          | WH2525 & WH2526 | WH2524          |
| WH2376-96       | For 102" wide trailers | WH2523          | WH2525 & WH2526 | WH2524          |

**Part No. Application**

|  |                           |
|--|---------------------------|
| <b>(A) Bottom Bracket With Cover &amp; Plate</b> | Bracket for bottom roller |
| <b>WH1371-A</b>                                  |                           |
| <b>(B) Bottom Roller Brk't Stud Plate</b>        | Component of WH1371       |
| <b>WH1370</b>                                    |                           |
| <b>(C) Bottom Roller Shaft Cover</b>             | Component of WH1371       |
| <b>WH1021</b>                                    |                           |



**Side Seal**

|                 |                       |
|-----------------|-----------------------|
| <b>Part No.</b> | <b>Application</b>    |
| WH5423          | 3/4" & 1" doors, 110" |
| WH7470          | Insulated doors, 110" |

**Latch Plate**

|                 |                    |
|-----------------|--------------------|
| <b>Part No.</b> | <b>Application</b> |
| WH2804          | 3/4" doors         |



**Door Pull Straps**

|                 |                     |
|-----------------|---------------------|
| <b>Part No.</b> | <b>Application</b>  |
| WH9723          | 19" Door Pull Strap |
| WH9723-1        | 32" Door Pull Strap |
| WH9723-11       | 60" Door Pull Strap |

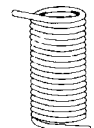
**Cable Drum & Bearing Assemblies**

|                 |                    |
|-----------------|--------------------|
| <b>Part No.</b> | <b>Application</b> |
| WH2547          | Roadside           |
| WH2548          | Curbside           |



**Spring length** is measured when the spring is relaxed.  
**Wire diameter** is indicated by a paint marking on one end of the spring. When ordering, this color should be reported, if visible.  
**Spring length and wire diameter** can also be found stamped on their center of the balancer shaft, or on a tag also near the center of the shaft.

Left hand Wound  
(Counterclockwise)  
Roadside





## ROLL-UP DOOR CABLES

**All door cables** are 7 x 19 preformed galvanized (GA) or stainless steel aircraft cable.

Fittings are all aluminum. **Cables sold in pairs only.** Each pair tagged with the Fleetcraft Part Number.

### TODCO ROLL-UP DOOR CABLE SELECTIONS

| Length<br>(") | Type | Eye<br>Size | Color<br>Code | Part No.<br>Number |
|---------------|------|-------------|---------------|--------------------|
| 110           | SS   | 5/16"       | Red           | <b>1014245</b>     |
| 110           | GA   | 5/16"       | Gray          | <b>1014245GA</b>   |
| 115           | SS   | 5/16"       | Blue          | <b>1014246</b>     |
| 115           | GA   | 5/16"       | Black         | <b>1014246GA</b>   |
| 120           | SS   | 1/4"        | Orange        | <b>1014247</b>     |
| 125           | GA   | 1/4"        | Blue          | <b>1014259GA</b>   |
| 130           | SS   | 5/16"       | Yellow        | <b>1014248</b>     |
| 130           | GA   | 5/16"       | Green         | <b>1014248GA</b>   |
| 130           | SS   | 1/4"        | Yellow        | <b>1014249</b>     |



**Note:** The spools on Whiting cables with 5/16" eyes are beveled on one side for ease of installation on U-bolt style cable anchors. Whiting cables with 7/16" I.D. diameter spools are for attachment to bottom roller shafts.

### WHITING ROLL-UP DOOR CABLE SELECTIONS

| Length<br>(") | Type | Eye<br>Size | Color<br>Code | Part No.<br>Number |
|---------------|------|-------------|---------------|--------------------|
| 105           | SS   | 7/16"       | Yellow        | <b>1014250</b>     |
| 105           | GA   | 7/16"       | Yellow        | <b>1014250GA</b>   |
| 110           | SS   | 7/16"       | Brown         | <b>1014252</b>     |
| 110           | GA   | 7/16"       | Brown         | <b>1014252GA</b>   |
| 115           | SS   | 7/16"       | Green         | <b>1014255</b>     |
| 115           | GA   | 7/16"       | Green         | <b>1014255GA</b>   |
| 115           | SS   | 5/16"       | Green         | <b>1014256</b>     |
| 115           | GA   | 5/16"       | Green         | <b>1014256GA</b>   |
| 125           | SS   | 5/16"       | White         | <b>1014251</b>     |
| 125           | GA   | 5/16"       | White         | <b>1014251GA</b>   |
| 125           | SS   | 7/16"       | Red           | <b>1014253</b>     |
| 125           | GA   | 7/16"       | Red           | <b>1014253GA</b>   |
| 130           | SS   | 7/16"       | N/C           | <b>1014254</b>     |
| 130           | GA   | 7/16"       | N/C           | <b>1014254GA</b>   |
| 135           | SS   | 7/16"       | Blue          | <b>1014257</b>     |



## FLEETCRAFT ROLL-UP DOOR ASSEMBLIES

### Fleetcraft

### Features & Benefits Comparison:

### Competitors

- The Fleetcraft Top Seal is made of aluminum and therefore won't leave rust streaks running down the face of the door.
- Medium Density Overlay(MDO) is primed during lamination creating a smoother finish and improved barrier against moisture. Get a longer lasting door panel!
- All doors are traceable by serial number.
- Professionally packed for protection during shipping. Hardware is neatly packed and checked by weight to account for all necessary components.
- All panel routes and holes are machined by CNC for a complete consistent tight fit. CNC machined panels ensure rivets are installed in a tight straight line. (Computer Numerical Control.)
- Replacement door operator/counterbalance comes boxed to ensure damage free product.
- Some competitors use an uncoated mild steel top seal retainer which leads to rust streaks running down the face of the door.
- MDO is pre-primed on roll which can lead to micro-cracking of primer, allowing water to seep through, adding weight, and causing premature panel rotting.
- Components are un-organized lengthening the installation process. Hardware is in multiple bags which can lead to wait time on missing components.
- In some cases, chalk lines and human judgement are used. Human error in the layout process can lead to components being crooked with undesirable stress points.
- Bulk shipment of operators can lead to damages and complicated reshipment.







## FLEETCRAFT ROLL-UP DOOR ASSEMBLIES

### FLEETCRAFT "GENERAL PURPOSE" DOOR ASSEMBLIES

**GENERAL PURPOSE IN WHITE: THE LETTERS "WH" ARE AFTER THE PART NUMBER:**

Example: GP90x100 is a drop in door only, and GP90x100WH is the same door in White. Then, GP90X100WHKIT comes with white drop-in door and track and counterbalance; tongue and groove panels, and 1" rollers.

Drop-in door includes hardware only. 99900T is the track and operator kit.

Side seals are not included. Order separately if desired.



| Door Part No. | Nominal Size | Actual Door Size | For Opening Size   | Door Stack / Panel Sizes                        |
|---------------|--------------|------------------|--|---|
| GP90X90WH     | 90x90        | 90Wx90H          | 87 <sup>3</sup> / <sub>4</sub> x87 <sup>3</sup> / <sub>4</sub> | All panels 15"                                  |
| GP90X90WHKIT  | 90x90        | 90Wx90H          | 87 <sup>3</sup> / <sub>4</sub> x87 <sup>3</sup> / <sub>4</sub> | All panels 15"                                  |
| GP90X100      | 90x100       | 90Wx100H         | 87 <sup>3</sup> / <sub>4</sub> x100                            | 1 15" Bottom, 3 15" Int., 2 11" Int., 1 18" Top |
| GP90X100KIT   | 90x100       | 90Wx100H         | 87 <sup>3</sup> / <sub>4</sub> x100                            | 1 15" Bottom, 3 15" Int., 2 11" Int., 1 18" Top |
| GP98X105      | 98x105       | 98Wx105H         | 95 <sup>3</sup> / <sub>4</sub> x105                            | All panels 15"                                  |
| GP98X105KIT   | 98x105       | 98Wx105H         | 95 <sup>3</sup> / <sub>4</sub> x105                            | All panels 15"                                  |
| GP98X105WH    | 98x105       | 98Wx105H         | 95 <sup>3</sup> / <sub>4</sub> x105                            | All panels 15"                                  |
| GP98X105WHKIT | 98x105       | 98Wx105H         | 95 <sup>3</sup> / <sub>4</sub> x105                            | All panels 15"                                  |
| GP98X107      | 98x107       | 98Wx107H         | 95 <sup>3</sup> / <sub>4</sub> x107                            | 1 15" Bottom, 5 15" Int., 1 17" Top             |
| GP98X107KIT   | 98x107       | 98Wx107H         | 95 <sup>3</sup> / <sub>4</sub> x107                            | 1 15" Bottom, 5 15" Int., 1 17" Top             |
| GP98X107WH    | 98x107       | 98Wx107H         | 95 <sup>3</sup> / <sub>4</sub> x107                            | 1 15" Bottom, 5 15" Int., 1 17" Top             |
| GP98X107WHKIT | 98x107       | 98Wx107H         | 95 <sup>3</sup> / <sub>4</sub> x107                            | 1 15" Bottom, 5 15" Int., 1 17" Top             |
| GP96X112WH    | 96x1112      | 96Wx112H         | 93 <sup>3</sup> / <sub>4</sub> x112                            | 1 11" Bottom, 8 11" Int., 1 13" Top             |
| GP96X112WH    | 96x1112      | 96Wx112H         | 93 <sup>3</sup> / <sub>4</sub> x112                            | 1 11" Bottom, 8 11" Int., 1 13" Top             |

### FLEETCRAFT GP COMPOSITE DOOR ASSEMBLIES (2" Rollers, Tongue In Groove, 1/2" thick panels)

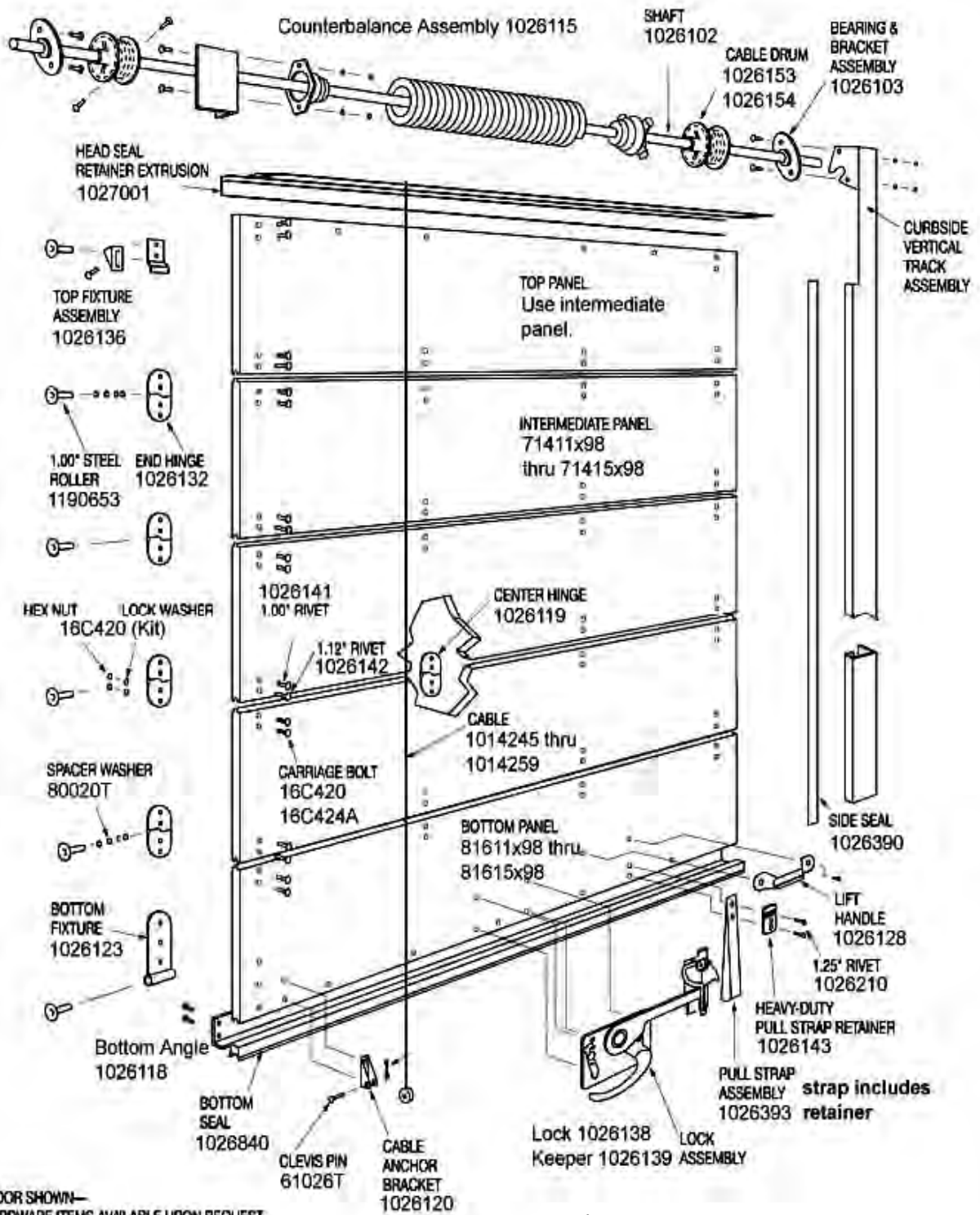
| Door           | Nominal | Actual Door | For Opening                         |                                     |
|----------------|---------|-------------|-------------------------------------|-------------------------------------|
| GPC98X105WH    | 98x105  | 98Wx105H    | 95 <sup>3</sup> / <sub>4</sub> x105 | All panels 15"                      |
| GPC98X105WHKIT | 98x105  | 98Wx105H    | 95 <sup>3</sup> / <sub>4</sub> x105 | All panels 15"                      |
| GPC98X107WH    | 98x107  | 98Wx107H    | 95 <sup>3</sup> / <sub>4</sub> x107 | 1 15" Bottom, 5 15" Int., 1 17" Top |
| GPC98X107WHKIT | 98x107  | 98Wx107H    | 95 <sup>3</sup> / <sub>4</sub> x107 | 1 15" Bottom, 5 15" Int., 1 17" Top |

### FLEETCRAFT "GENERAL WORK" DOOR ASSEMBLIES (2" Rollers, Tongue In Groove)

| Door          | Nominal | Actual Door | For Opening  |                                     |
|---------------|---------|-------------|--|-------------------------------------|
| GW90X90WH     | 90x90   | 90Wx90H     | 87 <sup>3</sup> / <sub>4</sub> x87 <sup>3</sup> / <sub>4</sub> | All panels 15"                      |
| GW90X90WHKIT  | 90x90   | 90Wx90H     | 87 <sup>3</sup> / <sub>4</sub> x87 <sup>3</sup> / <sub>4</sub> | All panels 15"                      |
| GW98X107WH    | 98x107  | 98Wx107H    | 95 <sup>3</sup> / <sub>4</sub> x107                            | 1 15" Bottom, 5 15" Int., 1 17" Top |
| GW98X107WHKIT | 98x107  | 98Wx107H    | 95 <sup>3</sup> / <sub>4</sub> x107                            | 1 15" Bottom, 5 15" Int., 1 17" Top |



**FLEETCRAFT ROLL-UP DOOR ASSEMBLIES - GP DOOR REPLACEMENT PARTS**

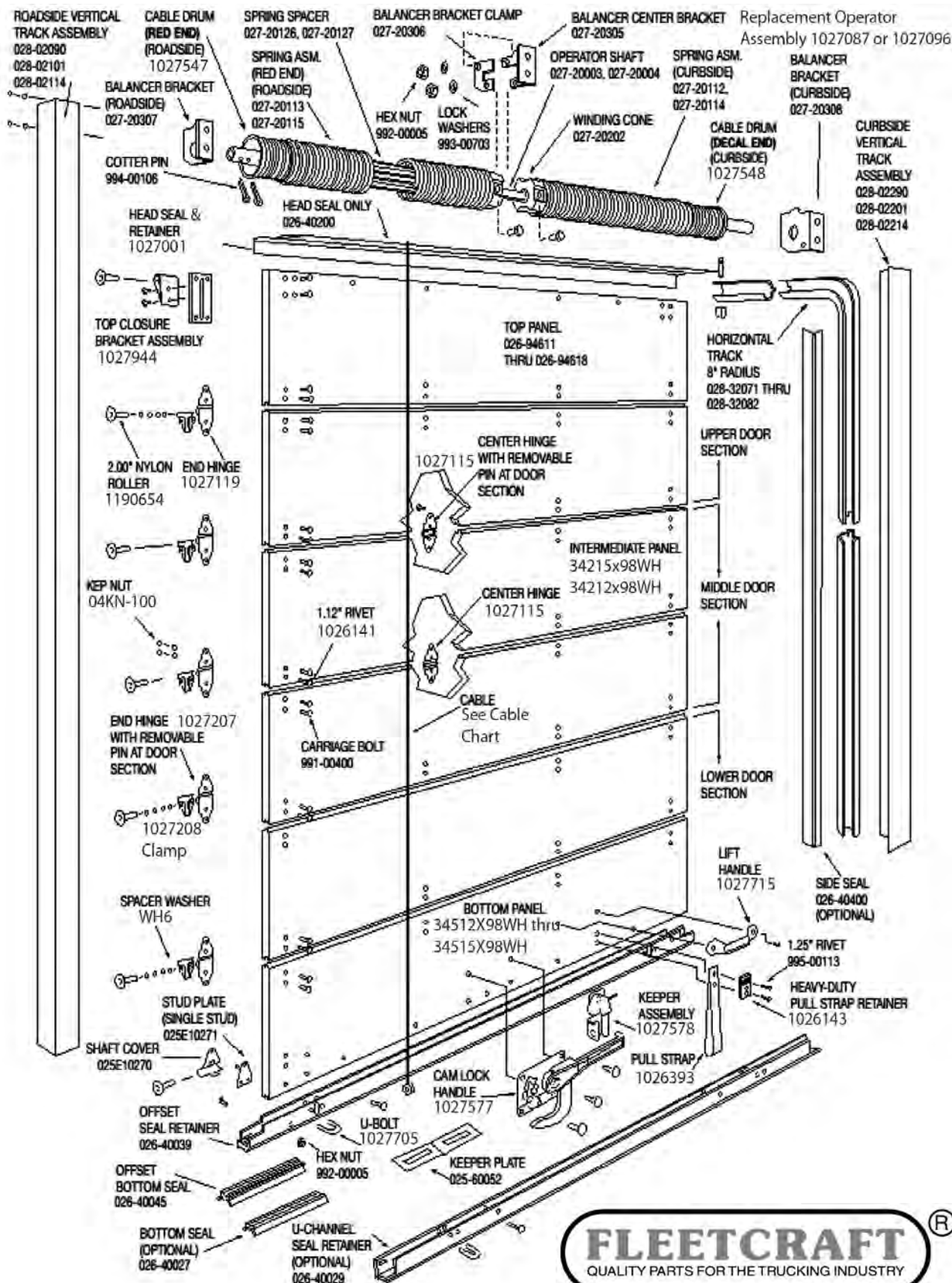


STANDARD DOOR SHOWN—  
OPTIONAL HARDWARE ITEMS AVAILABLE UPON REQUEST

Track & Operator Kit = Part No. 99900T

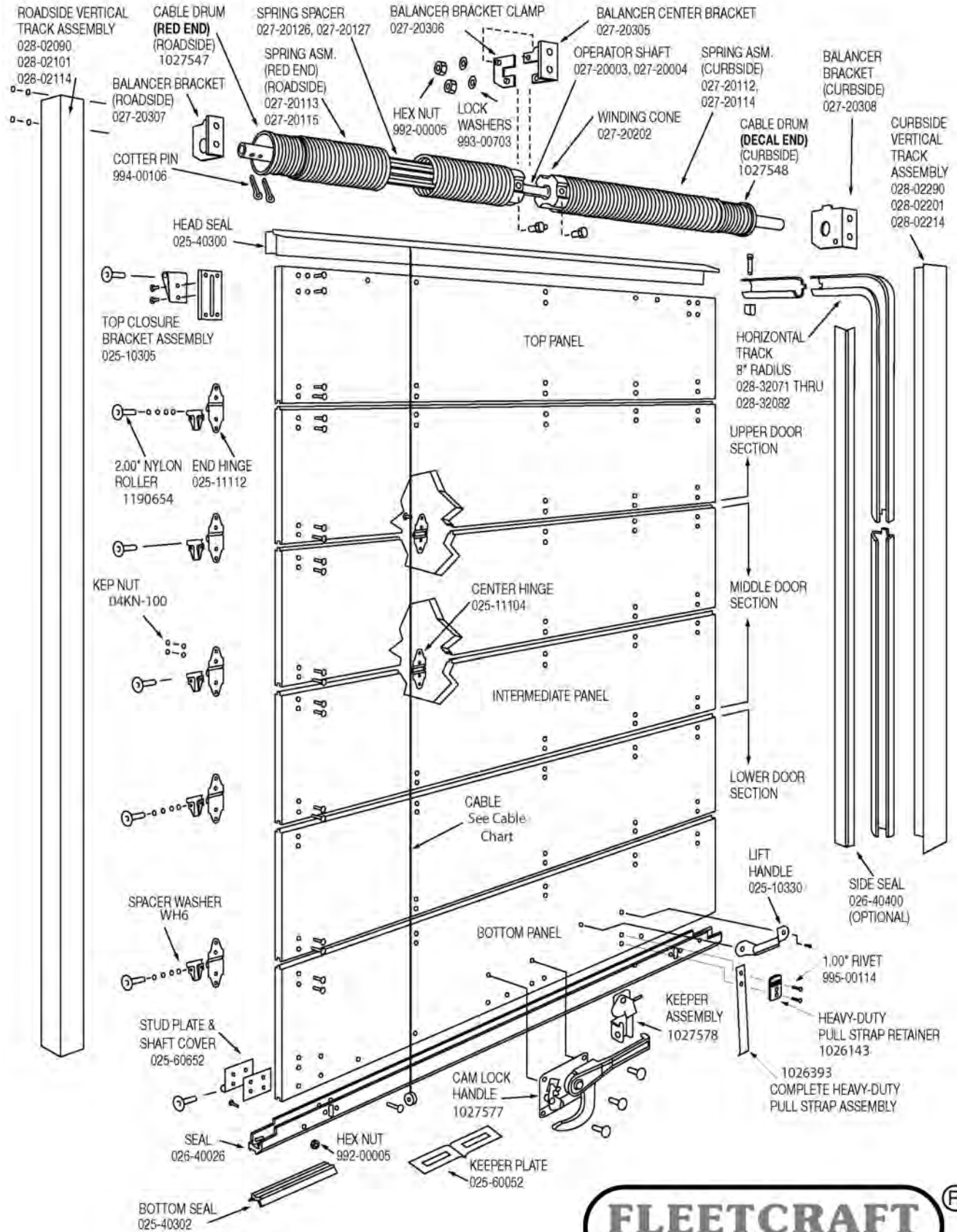


**FLEETCRAFT ROLL-UP DOOR ASSEMBLIES - GW DOOR REPLACEMENT PARTS**





# FLEETCRAFT ROLL-UP DOOR - GPC 1/2" COMPOSITE DOOR REPLACEMENT PARTS





**FLEETCRAFT ROLL-UP DOOR ASSEMBLIES - GPC DOOR SPECIFICATIONS**

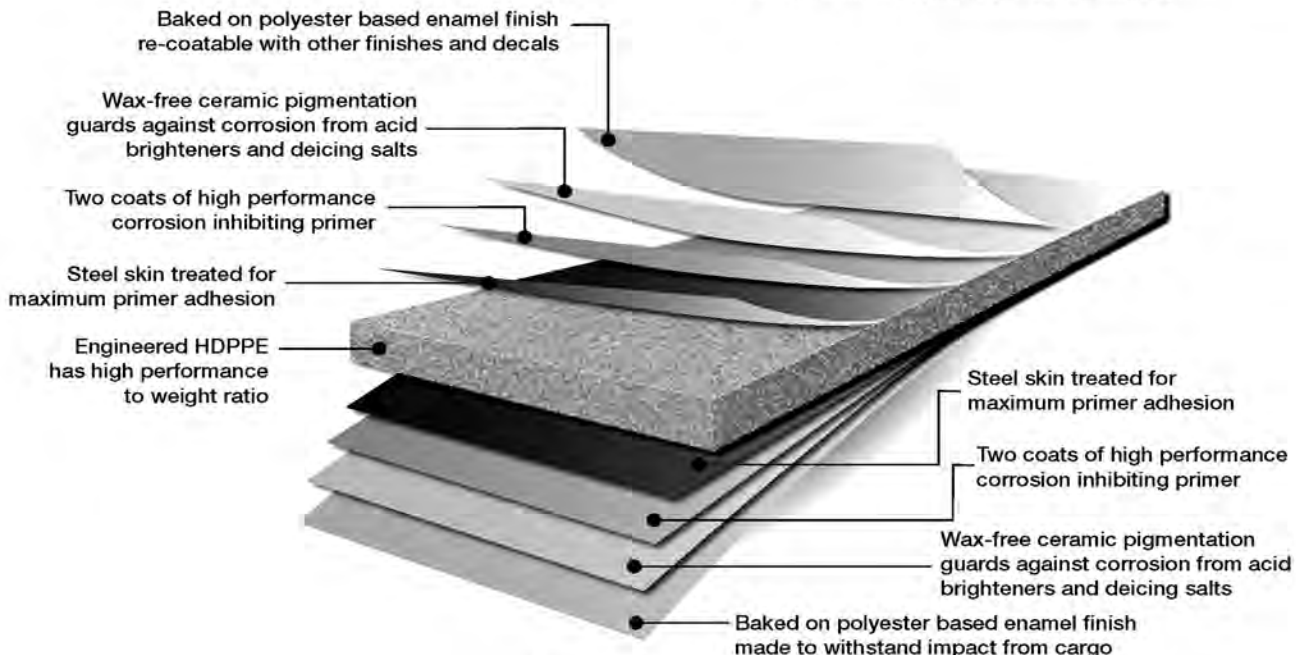
**NEW ToughTrak® Steel Clad Roll-Up Door**

**Features**

- 1/2" (13mm) composite panel thickness
- High density polyethylene core
- Baked on white enamel finish
- Panels are paintable
- Includes all hardware, steel lock assembly with keeper plate, stainless steel 7 x 19, 1/4 eye cables, heavy-duty lift handle, and 18" pull strap assembly
- Dual spring operator
- W-Style cam lock assembly (025-10577 & 025-10578)
- Adjustable top bracket assembly
- Head seal extrusion with rubber seal
- Tongue and groove seals
- Stainless steel rivets/E-coat/powder coated components
- E-coat/powder coated lock and keeper
- Cable drums are grooved to prevent cables from binding or wearing prematurely
- Uses 2.00" nylon roller
- Flexible PVC bottom seal with aluminum seal retainer
- End hinges have removable covers to allow easy roller replacement
- Dual durometer side seals are included on complete door assemblies
- Doors custom manufactured to meet exact specifications
- Doors packaged individually to prevent damage
- All hardware packaged and weighed to verify accuracy
- Complete doors use right angle channel mounting angle



• Universal Drop In (UDI) Doors and Complete-UDI Doors are shipped with hardware loose on both sides. Complete Replacement Doors and Replacement Doors have all hardware attached; please specify when ordering.



**FLEETCRAFT GP COMPOSITE DOOR ASSEMBLIES  
(2" Rollers, Tongue In Groove, 1/2" thick panels)**

| Door           | Nominal | Actual Door | For Opening                         |                                     |
|----------------|---------|-------------|-------------------------------------|-------------------------------------|
| GPC98X105WH    | 98x105  | 98Wx105H    | 95 <sup>3</sup> / <sub>4</sub> x105 | All panels 15"                      |
| GPC98X105WHKIT | 98x105  | 98Wx105H    | 95 <sup>3</sup> / <sub>4</sub> x105 | All panels 15"                      |
| GPC98X107WH    | 98x107  | 98Wx107H    | 95 <sup>3</sup> / <sub>4</sub> x107 | 1 15" Bottom, 5 15" Int., 1 17" Top |
| GPC98X107WHKIT | 98x107  | 98Wx107H    | 95 <sup>3</sup> / <sub>4</sub> x107 | 1 15" Bottom, 5 15" Int., 1 17" Top |



**FLEETCRAFT OVERHEAD DOOR PARTS (TODCO STYLE)**



**Counterbalance Assembly**

**Part No. Interchanges with**  
**1026115** 59292

With 1<sup>3</sup>/<sub>4</sub>" diameter spring, 98" shaft

**Counterbalance Shaft**

**1026102** 51037



**Bearing Assembly**

**Part No. Interchanges with**  
**1026103** 51038

For 1" diameter shaft



**Cable Drums**

**Part No. Interchanges with**  
**1026153** 59157-3 (Curbside)  
**1026154** 59157-4 (Roadside)



**Rear Lock**

**Part No. Interchanges with**  
**1026138** 69571

Spring assisted for positive lock;  
Cast steel, zinc plated.



**Rear Lock Keeper**

**Part No. Interchanges with**  
**1026139** 69572

Cast, zinc plated



**Lift handle**

**Part No. Interchanges with**  
**1026128** 61401

Heavy duty, zinc plated



**Safety Chain Assembly(Chain & Keeper)**

**Part No. Interchanges with**  
**1026131** 69020

Cast steel, spring loaded, Zinc finish

**Keeper Assembly**

**1026121** 61223, WH4110

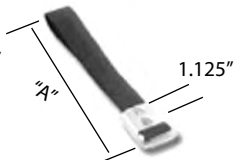
**Chain Assembly**

**1026122** 61229, WH4126



**Door Pull Strap Assembly**

**Part No. "A" Description**  
**1026393** 30" Strap assembly



**Top Fixture Assembly**

Includes base, slide, & hardware

**Part No. Interchanges with**  
**1026136** 69433

Top fixture base Only

**1026134** 69432

Slide Only

**1026431** 69431



**Center Hinge**

**Part No. Interchanges with**  
**1026119** 61196

Zinc plated - Pack = 25



**End Hinge**

**Part No. Interchanges with**  
**1026132** 69035

Zinc plated - Pack = 25



**Bottom Fixture**

**Part No. Interchanges with**  
**1026123** 61352

Zinc plated



**Anchor Bracket - for door cable**

**Part No. Interchanges with**  
**1026120** 61204

Zinc plated



**Steel Roller, 1" Diameter**

**Part No. Application**  
**1190653** Steel - Pack = 50



**Seals**

**Part No. Type / Interchange**  
**1026390** (A) Side 130" / 61390  
**1026840** (B) Bottom 98" / 80840  
**1027001** (C) Head 98" / 70001



**Pull Strap Retainer**

**Part No. Interchanges with**  
**1026143** 69832

Galvanized;  
universal applications





**FLEETCRAFT OVERHEAD DOOR PARTS - WHITING STYLE**



**Balancer Assembly**

Double cable style.

| Part No. | Description                      |
|----------|----------------------------------|
| 1027087  | 87" long shaft .187 x 31" spring |
| 1027096  | 96" long shaft .187 x 31" spring |



**Cable Drums**

| Part No. | Interchanges with |
|----------|-------------------|
| 1027547  | WH2547            |
| 1027548  | WH2548            |



**Whiting Style Rear Lock & Handle Keeper**

| Part No. | Description                |
|----------|----------------------------|
| 1027577  | Interchanges w/ WH77 lock  |
| 1027578  | Handle keeper, use w/ lock |



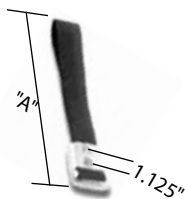
**Lift Handle**

| Part No. | Interchanges with |
|----------|-------------------|
| 1027715  | WH1715            |



**Door Pull Strap Assembly**

| Part No. | "A" | Description    |
|----------|-----|----------------|
| 1518     | 18" | Strap assembly |
| 1524     | 24" | Strap assembly |
| 1532     | 32" | Strap assembly |



**End Hinge and Roller Cover**

**Part No. Interchanges with Complete Assembly**

|         |         |
|---------|---------|
| 1027119 | WH1209A |
| 1027207 | WH1207  |
| 1027208 | WH1208  |

Roller Hinge Only

Cover Clamp Only



**Center Hinge**

**Part No. Interchanges with**

|         |       |
|---------|-------|
| 1027115 | WH15, |
|---------|-------|

Zinc plated



**Top Closure Assembly**

Adjusts top panel for firm seal

**Part No. Interchanges with**

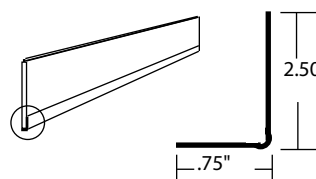
|         |        |
|---------|--------|
| 1027944 | WH6944 |
|---------|--------|



**Bottom Angle**

Steel angle used on bottom of bottom panels. For GP Door or "T" Style applications. Interchanges 61191/WH4034

| Part No. | Description  |
|----------|--|
| 1026118  | 95 <sup>1</sup> / <sub>4</sub> " long, zinc plated |



**Steel & Nylon Rollers, 2" Diameter**

**Part No. Application**

|         |       |
|---------|-------|
| 1190664 | Steel |
| 1190654 | Nylon |



**U-BOLT**

**Part No. Description**

|         |                 |
|---------|-----------------|
| 1027705 | 1-1/2" (WH70-5) |
|---------|-----------------|





**FLEETCRAFT ROLL-UP DOOR PANELS****TODCO-STYLE**

| <b>Part No.</b>   | <b>Description</b>           |
|-------------------|------------------------------|
| <b>71411X98</b>   | 11" intermediate panel       |
| <b>71412X98</b>   | 12" intermediate panel       |
| <b>71415X98</b>   | 15" intermediate panel       |
| <b>71418X98</b>   | 18" intermediate panel       |
| <b>71411X98WH</b> | 11" white intermediate panel |
| <b>71413X98WH</b> | 13" white intermediate panel |
| <b>71412X98WH</b> | 12" white intermediate panel |
| <b>71415X98WH</b> | 15" white intermediate panel |

|                   |                             |
|-------------------|-----------------------------|
| <b>81611X90</b>   | 11" bottom (90" wide)       |
| <b>81611X98</b>   | 11" bottom                  |
| <b>81612X98</b>   | 12" bottom                  |
| <b>81615X90</b>   | 12" bottom panel (90" wide) |
| <b>81615X98</b>   | 15" bottom                  |
| <b>81611X98WH</b> | 11" white bottom panel      |
| <b>81612X98WH</b> | 12" white bottom panel      |
| <b>81613X98WH</b> | 13" white bottom panel      |
| <b>81615X98WH</b> | 15" white bottom panel      |

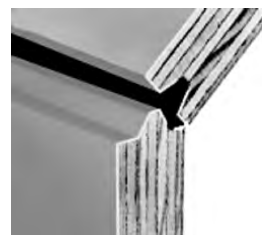
**WHITING-STYLE**

| <b>Part No.</b>   | <b>Description</b>           |
|-------------------|------------------------------|
| <b>34211.5X98</b> | 11.5" intermediate panel     |
| <b>34211X98WH</b> | 11" white intermediate panel |
| <b>34212X98WH</b> | 12" white intermediate panel |
| <b>34215X98WH</b> | 15" white intermediate panel |
| <b>34512X98WH</b> | 12" white bottom panel       |
| <b>34515X98WH</b> | 15" white bottom panel       |

**Fleetcraft Whiting-Style Panel Specifications:**

No routes. 98" wide. Unless noted. Primed or White. Tongue in Groove.

Bottom panels have bottom seal and aluminum retainer.



3/4"  
Tongue  
in  
Groove  
style

**Fleetcraft Todco-Style Panel Specifications:**

6" routes.

98" wide. Unless noted.  
Primed or White.

Bottom panels have hardware installed on one end, come with bagged hardware, and pull strap.

**DOOR RIVETS**

| <b>Part No.</b>                      | <b>Size</b> |
|--------------------------------------|-------------|
| <b>1026141</b>                       | 1"          |
| Interchanges<br>80841 / WH10-1002-3  |             |
| <b>1026142</b>                       | 1-1/8"      |
| Interchanges<br>80842 / WH10-1002-36 |             |
| <b>1026210</b>                       | 1-1/4"      |
| Interchanges<br>89210 / WH10-1002-29 |             |







## SWING DOORS AND SWING DOOR PART ACCESSORIES

Premium exterior grade plywood cores with a variety of facings to meet your specifications..

Facings include pre-painted aluminum, mill finish aluminum, pre-painted steel, stainless steel and galvanized steel.

**\*ABBREVIATIONS:**

**PPW:** Pre-painted White, **PPG:** Pre-painted Gray,

**MFA:** Mill Finish Aluminum, **HDG:** Heavy Duty Galvanized

### 1/2" DOORS

| Part Number | Description |
|-------------|-------------|
|-------------|-------------|

|                |   |
|----------------|---|
| 1/2X4X10WH-MFA | PPW* one side, MFA* opposite. (120" tall) |
|----------------|---|

### COMPOSITE DOOR

|         |  |
|---------|--|
| 1013878 | PPW one side. .512X49X110.5 (13MM THICK) (110.5" tall) |
|---------|--|

### 3/4" DOORS

| Part Number | Description |
|-------------|-------------|
|-------------|-------------|

|            |  |
|------------|--|
| 3/4X4X10SS | Stainless steel one side, galvanized steel opposite. (120" tall) |
|------------|--|

|            |   |
|------------|---|
| 3/4X4X10WH | PPW Aluminum one side, galvanized steel opposite. (120" tall) |
|------------|---|

|                |   |
|----------------|---|
| 3/4X4X10WH-MFA | PPW Aluminum one side, mill finish aluminum opposite. (120" tall)<br>(Some of our branches use Part Numbers: 1013870, or 1013872) |
|----------------|---|

|                  |  |
|------------------|--|
| 3/4X4X110.5W-HDG | PPW Aluminum one side, heavy duty galvanized opposite. (110.5" tall) |
|------------------|--|

|                   |  |
|-------------------|--|
| 3/4X4X110.5WH-MFA | PPW Aluminum one side, mill finish aluminum opposite, (110.5" tall.)<br>(Some of our branches use Part Numbers: 1013873, or 1013874) |
|-------------------|--|

|                |  |
|----------------|--|
| 3/4X4X12WH-MFA | PPW Aluminum one side, mill finish aluminum opposite, (144" tall.) |
|----------------|--|

|                      |  |
|----------------------|--|
| 1013885 (25 PC ONLY) | PPW Aluminum one side, mill finish aluminum opposite, (110.5" tall.) |
|----------------------|--|

|                      |  |
|----------------------|--|
| 1013887 (25 PC ONLY) | PPW Aluminum one side, mill finish aluminum opposite, (120" tall.) |
|----------------------|--|

### 1" DOORS AAR RAILROAD APPROVED

| Part Number | Description |
|-------------|-------------|
|-------------|-------------|

|                |  |
|----------------|--|
| 1X4X110.5W-AAR | PPW .026 Steel one side, galvanized steel opposite, (110.5" tall.) |
|----------------|--|

### 1-1/4" DOORS AAR RAILROAD APPROVED

| Part Number | Description |
|-------------|-------------|
|-------------|-------------|

|                   |   |
|-------------------|---|
| 11/4X4X110.5W-AAR | PPW .026 Steel one side, galvanized steel opposite, (110.5" tall) |
|-------------------|---|



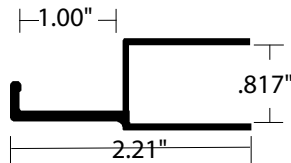


# SWING DOOR COMPONENTS

## Aluminum Door Frame

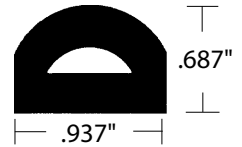
For 3/4" thick ply-metal doors.  
Used with X128 seal.  
10 foot long.

**Part No. X395X120**



## Compression Type Door Seal - Neoprene

**Part No. X128**  
Closed cell compression type seal for use with X395 aluminum door frame. Color black. Order by the foot.



## Corner Repair

For 3/4" thick ply-metal doors.  
3/4"x18"x18"

**Part No. 1013875**



## Corner Tab Adhesive

**Part No. Application**  
**1013862** 4 oz. can w/brush in lid.  
Welds corner tabs to seal corners.



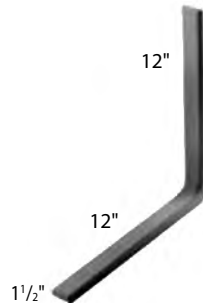
## Vinyl Corner Tabs

**Part No. Application**  
**1013859** 7/8" wide / 96 per bag  
**1013860** 1-1/4" wide / 96 per bag

## Corner Reinforcement

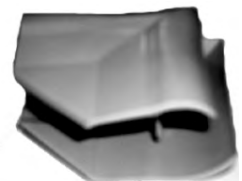
Heavy duty drop forged corner iron.

**Part No. Size**  
**1010083** 12" x 12" x 1 1/2"



## Molded Corner Seal

**Part No. Application**  
**1014080** 3/4" door  
**1014081** 1/2" door

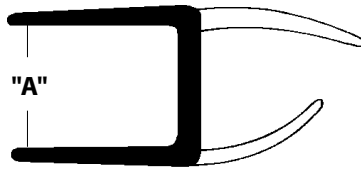




**SWING DOOR SEAL**

**Dual Durometer Seal**

A premium quality seal that stands up to severe service. Does not crack in the cold. Withstands warm weather without warping or distortion. Length - 14' Standard Carton Quantity: 15 (All Sizes)



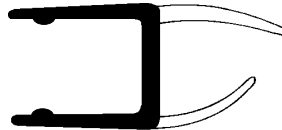
| Door Seal Part No. | Door Thickness "A"       |
|--------------------|--------------------------|
| 1013864            | 3/4" (Economy-20/carton) |
| 1013865            | 1/2"                     |
| 1013863            | 3/4"                     |
| 1014044            | 1"                       |
| 1014045            | 1 1/4"                   |
| 1014076            | 1 1/2"                   |
| 1014088            | 1/2" (Sea-Lok® brand)    |
| 1014090            | 3/4" (Sea-Lok® brand)    |

**SWING DOOR SEAL - "SUPER SEAL (SS)"**

**Dual Durometer "Super Seal"**

Moisture is the enemy of Ply-metal doors. Sealing beads on this seal contact the door surface when this seal is installed, helping to insure a waterproof installation.

Length - 14' - 15 per carton - 3/4" application.  
Part No. 3/4X14SS

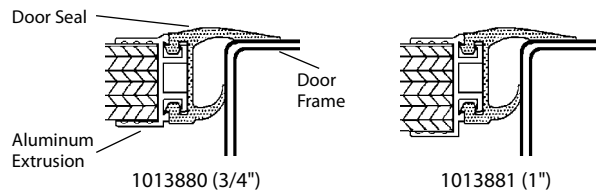


**SWING DOOR TRUSEALOR® DOOR SEALS**

**TRU-SEALOR® DOOR SEAL**

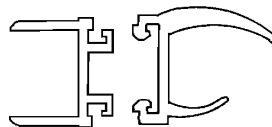
**Aluminum and Vinyl Seal Assemblies**

| Door Size | Assembly Part No. | Includes These Components Door Extrusion | Door Seal |
|-----------|-------------------|--|-----------|
| 3/4"      | 1013880           | 1013868                                  | 1013867   |
| 1"        | 1013881           | ---                                      | 1013867   |



**Aluminum Extrusion - 14 feet length.**

Part No. 1013868 Application For 3/4" Panel For installation on door panel.

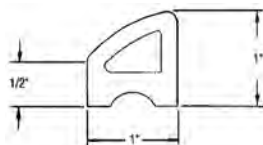


**Vinyl Door Seal - 14 feet length**

Part No. 1013867 For All Panel Sizes.

**SWING DOOR DOOR SEAL / TRAILMOBILE INNER SEAL**

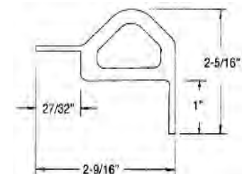
**Compression Door Seal**  
Part No. GD-DS01  
Interchanges Great Dane 45985



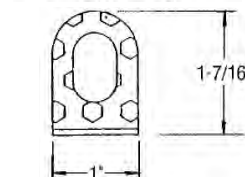
**Compression Door Seal**  
Part No. 90-4-1962-0-120



**Inner Seal**  
Part No. 90-4-1729-0-120  
10' piece.



**Inner Seal Adhesive Strip**  
Part No. 90-4-2236-0-114  
Self adhesive strip. 10' piece.





**INNER & OUTER GASKET - HYUNDAI**

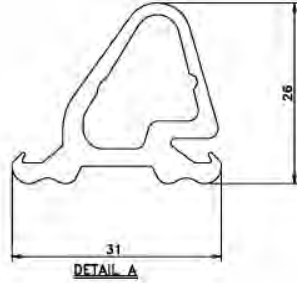
**INNER GASKETS**

**Part No. HY10005241**  
E18-167. LH - 1172x2582  
**Part No. HY10005242**  
E18-167. RH - 1172x2582

**Part No. HY10014203**  
E18-167. RH - 1172x2616  
Works with HY10014205  
Outer Gasket.

**Part No. HY10017163**  
E18-167. LH - 1172x2794  
**Part No. HY10017164**  
E18-167. RH - 1172x2794

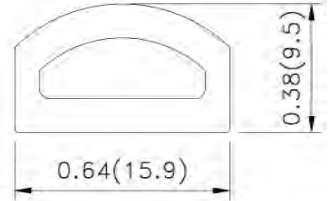
**Part No. HY10031141**  
E18-167. RH - 1160x2522



**OUTER GASKETS**

**Part No. HY10005263**  
E18-172. LH - 1263x2677  
**Part No. HY10005259**  
E18-172. RH - 1214x2686

**Part No. HY10005258**  
E18-172. LH - 1214x2686  
**Part No. HY10005264**  
E18-172. RH - 1263x2686

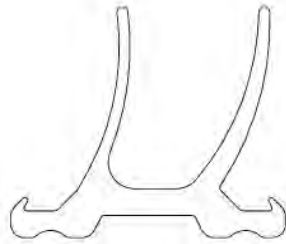


**Part No. HY10014205**  
E18-172. RH - 1263x2711  
Works with HY10014203  
Inner Gasket.

**INNER GASKETS**

**Part No. HY10017713**  
E18-193. LH - 1204x2720  
**Part No. HY10017714**  
E18-193. RH - 1184x2720

**Part No. HY10025012**  
E18-193. LH - 1195x2586  
**Part No. HY10025013**  
E18-193. RH - 1195x2586

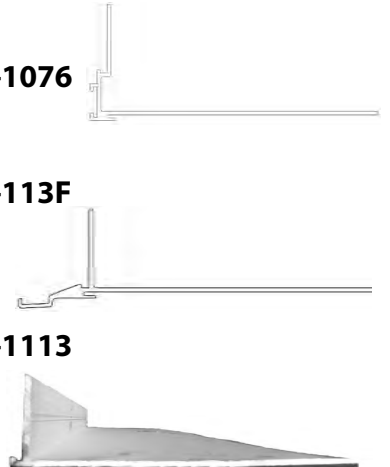


**OUTER FRAMES**

**Part No. HYE19-023-1076**  
107.375"

**Part No. HYE19-196-113F**  
113.938" Aluminum.

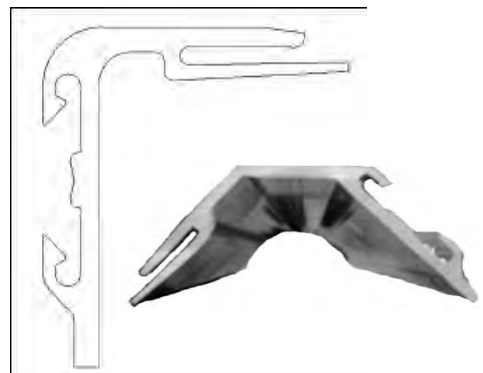
**Part No. HYE19-197-1113**  
XXX.XX" Aluminum.



**INNER FRAMES**

**Part No. HYE19-026-1072**  
PVC. 107.125  
**Part No. HYE19-168-108C**  
PVC. 108.75"

**Part No. HYE19-189-1134**  
PVC. 113.25"  
**Part No. HYE19-204-1116**  
PVC Door Frame: 111.625"  
3.75" wide x 1.38" tall hat.





## TRAILMOBILE SWING DOOR LOCK ROD KIT

### Part No. 700-532-13

| Item | Description                        | Part No.    | Qty |
|------|------------------------------------|-------------|-----|
| 1    | Top Cam                            | 532-5-42    | 1   |
| 2    | Top Cam Keeper                     | 532-9-52    | 1   |
| 3    | Top and Bottom Bearing Cover       | 532-6-32    | 2   |
| 4    | Top and Bottom Cover Bushing       | 532-6-33    | 4   |
| 5    | Bearing Cover Back Plate           | 532-6-31    | 4   |
| 6    | Lock Rod Bearing Cover             | 532-6-30    | 2   |
| 7    | Lock Rod Pipe                      | 700-532-9   | 0   |
| 8    | Lock Handle                        | 532-1-46    | 1   |
| 9    | Latch Assembly                     | 532-A2-21   | 1   |
| 10A  | Roadside Handle Bracket and Sleeve | 700-532-14L | 1   |
| 10B  | Curbside Handle Bracket and Sleeve | 700-532-14R | 1   |
| 11   | Bottom Cam                         | 532-5-43    | 1   |
| 12   | Bottom Cam Keeper                  | 532-9-54    | 1   |

#### Note:

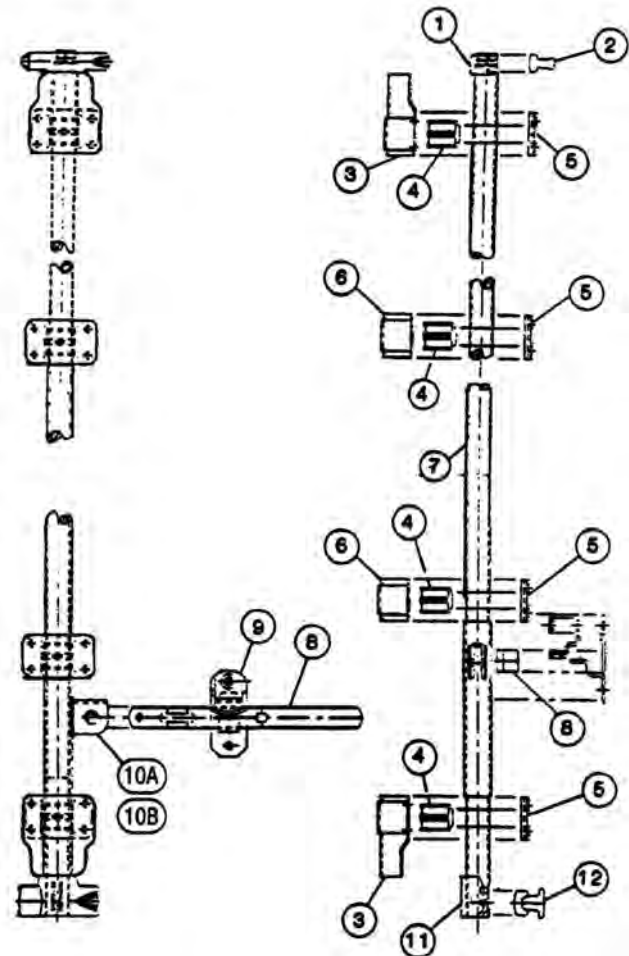
For stainless steel cam keepers,  
order:

**532-9-52-1 Top Cam Keeper**

**532-9-54-1 Bottom Cam Keeper**

Comes without lock rod.

Part Number 1039113 can be used.





# REAR DOOR LOCK HARDWARE

## Rear Door Lock Hardware Kit

Zinc plating on all steel components  
Can be installed on RH or LH door.

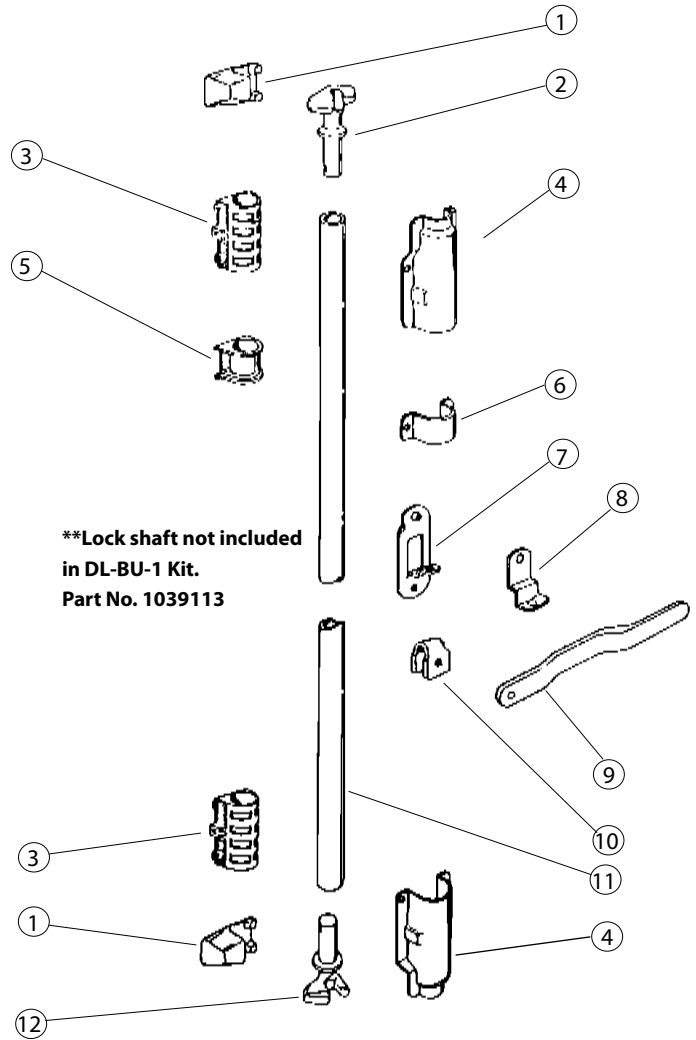
**Part No. DL-BU-1**    **\*\*Lock shaft not included.**

### Parts List

| Item | Qty. | Description                 | Part No.       |
|------|------|-----------------------------|----------------|
| 1    | 2    | Keeper                      | <b>1064</b>    |
| 2    | 2    | Rod end,<br>top curbside    | <b>4044</b>    |
| 3    | 2    | Cam guide bearing           | <b>4042PR</b>  |
| 4    | 2    | Cam Guide                   | <b>4207</b>    |
| 5    | 2    | Rod guide bushing           | <b>4006PR</b>  |
| 6    | 1    | Rod guide                   | <b>4005</b>    |
| 7    | 1    | Seal plate                  | <b>4011</b>    |
| 8    | 1    | Seal pin                    | <b>4012</b>    |
| 9    | 1    | Lever handle                | <b>4090</b>    |
| 10   | 1    | Handle mount                | <b>4208</b>    |
| 11   | 1    | Lock Shaft**                | <b>1039113</b> |
| 12   | 1    | Rod end,<br>bottom curbside | <b>4043</b>    |

### Lock Shaft - Part No. 1039113

1 3/8" O.D. Hot Dipped Galvanized Tubing.  
120 Inch Length.



# MID-CAM REAR DOOR LOCK HARDWARE

## Extra Security For Rear Doors.

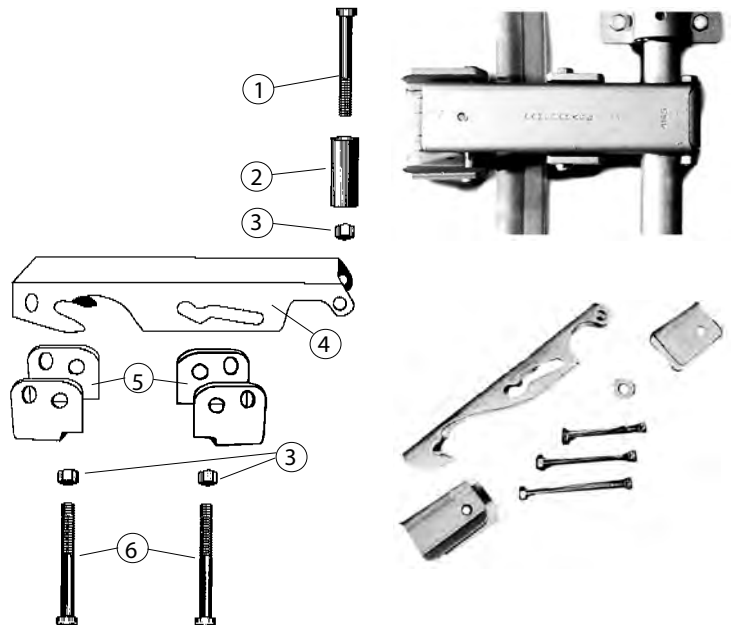
### MID-CAM REAR DOOR LOCK KIT

Zinc plated for long wear. An optional lock assembly for use with rear door lock hardware.

**Part No. MC6000**



| Item | Description               |
|------|---------------------------|
| 1.   | 3/8" X 3" Plated Hex Bolt |
| 2.   | Cam Bearing               |
| 3.   | 3/8" Hex Lock Nut         |
| 4.   | Cam Lock                  |
| 5.   | Lock Brackets             |
| 6.   | 3/8" X 4" Plated Hex Bolt |





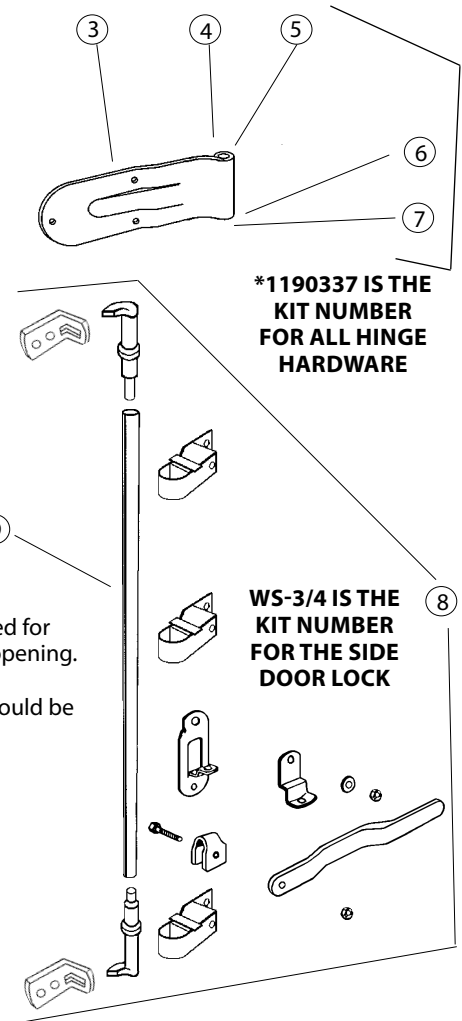
**TRAILER SIDE DOOR KIT**

**Part No. 1190338 SIDE DOOR KIT**

Door Opening 42" Wide, 80" High

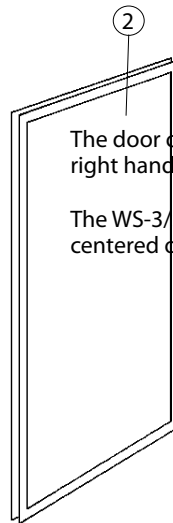
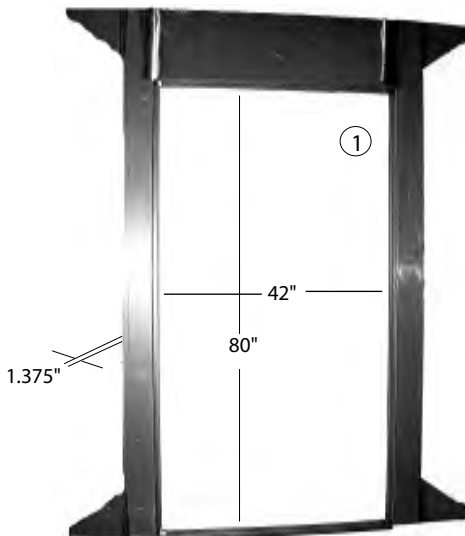
**Parts List - KIT CONSISTS OF:**

| Item | Part No. | Description                                   | Qty. |
|------|----------|---|------|
| 1    | 1114610  | Steel Frame, 95" High, 1-3/8" Post Thickness  | 1    |
| 2    | 1208943  | 3/4" Door, <b>With Gasket</b> , Undrilled     | 1    |
| 3    | 1010143  | HINGE STRAP*                                  | 3    |
| 4    | 1010164  | Hinge Bracket*                                | 3    |
| 5    | 1153668  | Hinge Pin*                                    | 3    |
| 6    | 1036612  | Hinge Washer*                                 | 3    |
| 7    | 1F-316   | Cotter Pin*                                   | 3    |
| 8    | WS-3/4   | Hardware Kit, Less Lock Rod Shaft (SEE BELOW) | 1    |
| 9    | 7554-25  | Lock Shaft, 3/4"X54 1/4" (SEE BELOW)          | 1    |



**\*1190337 IS THE KIT NUMBER FOR ALL HINGE HARDWARE**

**WS-3/4 IS THE KIT NUMBER FOR THE SIDE DOOR LOCK**



**Note:**

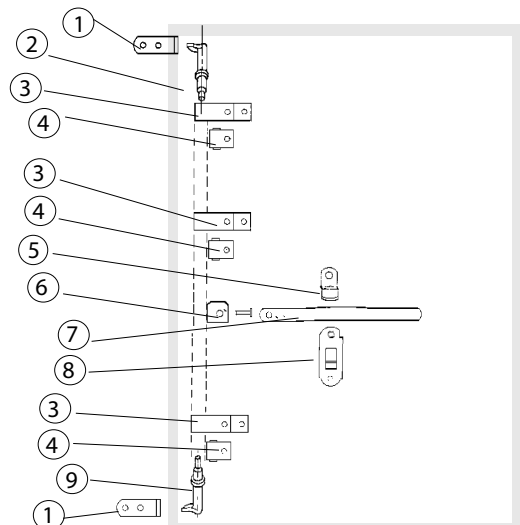
As a standard practice, reinforcements are added to trailers when installing a side door. Caution is urged if installing in trailer with higher or lower post height than 95". Additional reinforcements to both frame and trailer may be necessary. For Dry Van Trailers Only.

**SIDE DOOR LOCK - Part No. WS-3/4**

Zinc plating on all forged steel parts  
Can be installed for RH or LH opening.

**Note:** Lock shaft not included with Kit.  
Shaft is 3/4" pipe, 54 1/4" long.  
Order Separately under **Part No. 7554-25**

| Item | Part No. | Description              |
|------|----------|--------------------------|
| 1    | 4064     | Cam Keeper               |
| 2    | 4148     | Cam End (lever to right) |
| 3    | 4085     | Guide Plate              |
| 4    | 4077     | Guide Plate              |
| 5    | 4012     | Seal Pin                 |
| 6    | 4208     | Lever Mount              |
| 7    | 4090     | Lock Rod Lever           |
| 8    | 4011     | Seal Plate               |
| 9    | 4147     | Cam End (lever to left)  |



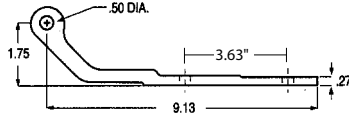
**Other lock kits available in stock!**



# REPLACEMENT DOOR HINGES

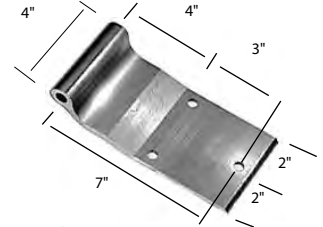
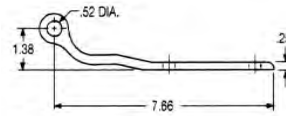
## DORSEY

**Part No. Description**  
**1010158** Aluminum,  
 4 Hole Interchanges 2810093.  
 Holes are .41" diameter.



## FRUEHAUF STYLE

**Part No. Description**  
**1010172** Aluminum,  
 3 Hole Hinge  
 Interchange number  
 DBA00158300



Holes are  
 .41" diameter.

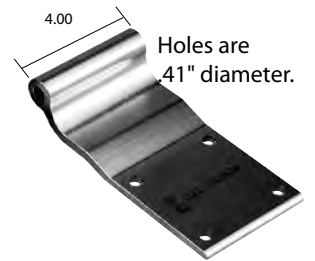
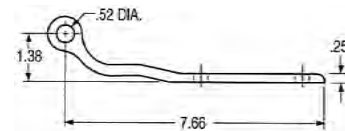
## DORSEY

**Part No. Description**  
**1010159** Aluminum, 3 Hole.  
 Interchanges 2810919. Holes .50"



## FRUEHAUF STYLE

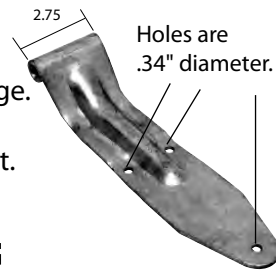
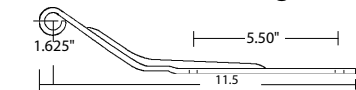
**Part No. Description**  
**1010168** 4 Hole Hinge  
 Extruded aluminum,  
 Interchanges BCF004678001



Holes are  
 .41" diameter.

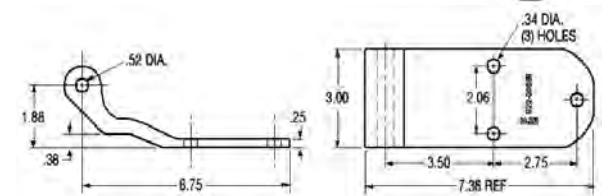
## DORSEY

**Part No. Description**  
**4101481** Steel 3 Hole Hinge.  
 Zinc plated.  
 Use with 4101483 hinge butt.



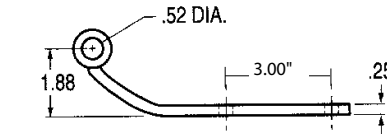
## GINDY STYLE

**Part No. Description**  
**022-00039** 3 Hole Hinge  
 Extruded aluminum,  
 Interchanges H04-B01073



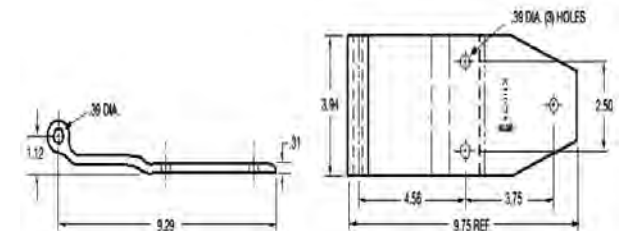
## FRUEHAUF STYLE

**Part No. Description**  
**DCE008681-001** 4 Hole Hinge,  
 4" Wide. Steel, zinc plated.



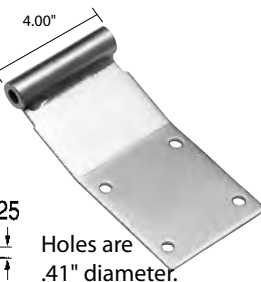
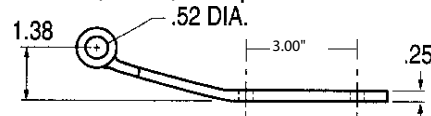
## GREAT DANE STYLE

**Part No. Description**  
**022-01058** 3 Hole Hinge  
 Extruded aluminum,  
 Interchanges 47563



## FRUEHAUF STYLE

**Part No. Description**  
**DCF003980-001** 4 Hole Hinge,  
 4" wide, Steel, zinc plated.



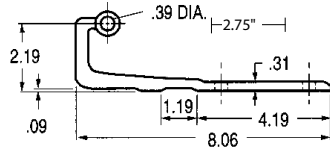
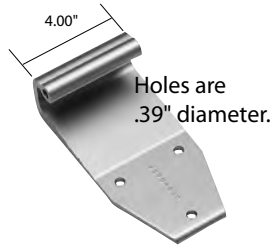




**REPLACEMENT DOOR HINGES**

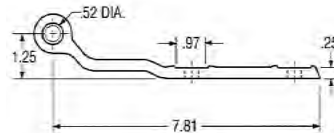
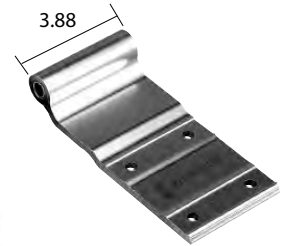
**GREAT DANE STYLE**

**Part No. Description**  
**1010145** 3 Hole Hinge  
 Extruded aluminum,  
 Interchanges 08206



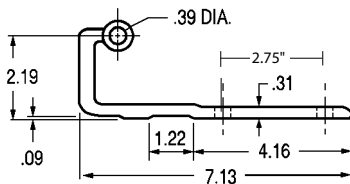
**GREAT DANE STYLE**

**Part No. Description**  
**1010167** 4 Hole Hinge  
 Extruded aluminum,  
 Interchanges 31800904



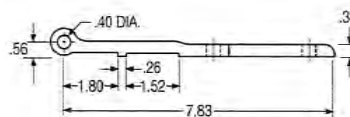
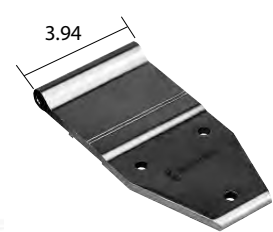
**GREAT DANE STYLE**

**Part No. Description**  
**1010146** 3 Hole Hinge  
 Extruded aluminum,  
 Interchanges 08138



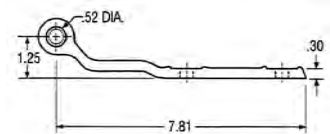
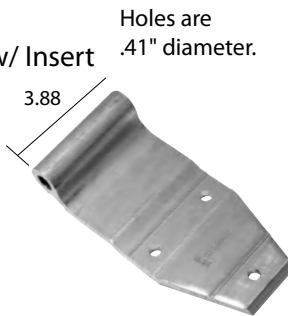
**GREAT DANE STYLE**

**Part No. Description**  
**1010169** 3 Hole Hinge  
 Extruded aluminum,  
 Interchanges 15152



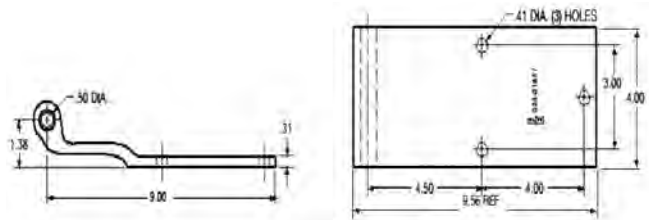
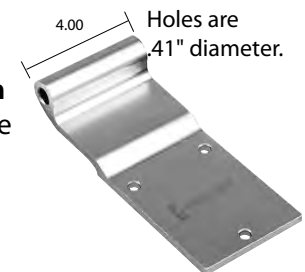
**GREAT DANE STYLE**

**Part No. Description**  
**1010157** 3 Hole Hinge w/ Insert  
 Extruded aluminum,  
 Interchanges 31801018



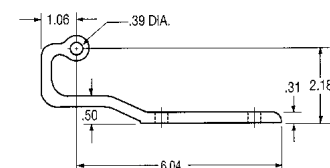
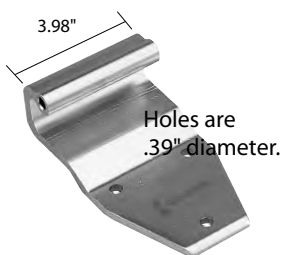
**HYUNDAI TRAILER**

**Part No. Description**  
**TRR7000C-AH** 3 Hole Hinge  
 Extruded Aluminum,  
 with bushing insert.



**GREAT DANE STYLE**

**Part No. Description**  
**1010163** 3 Hole Hinge  
 Extruded Aluminum,  
 Interchanges 42500813



**HYUNDAI TRAILER - Part No. HY10015902**

**Description - Nylon Bushing insert.**



**HYUNDAI TRAILER - Part No. HY10016045**

**Description - 4 Hole Hinge**  
 Hot Dipped Galvanized  
 with bushing insert.





# REPLACEMENT DOOR HINGES

**HYUNDAI TRAILER -**  
**Part No. HY10009668**  
**Description - 3 Hole Hinge**  
 (Bushing insert HY10015902 sold separately)



**HYUNDAI TRAILER -**  
**Part No. HY10015902**  
**Description - Nylon Bushing insert.**



**HYUNDAI TRAILER -**  
**Part No. HY10009669**  
**Description - 4 Hole Hinge**



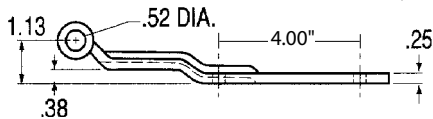
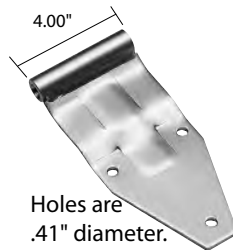
**HYUNDAI TRAILER -**  
**Part No. HY10020361**  
**Description - 4 Hole Hinge**



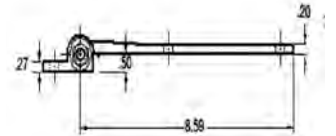
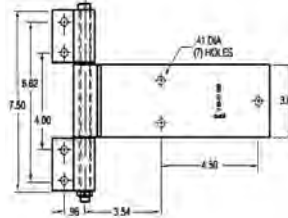
**HYUNDAI TRAILER -**  
**Part No. HY10011746**  
**Description - 4 Hole Hinge**



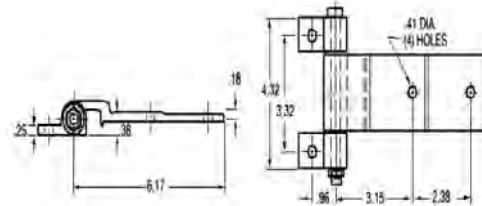
**KENTUCKY STYLE**  
**Part No. Description**  
**1010144 3 Hole Hinge**  
 Steel, zinc plated,  
 Interchanges A1-5984-50



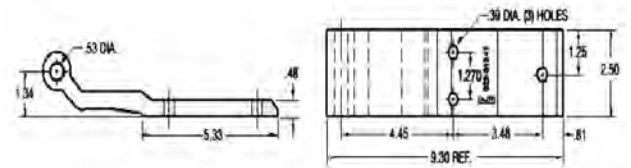
**KENTUCKY STYLE**  
**Part No. Description**  
**022-01035 3 Hole Hinge**  
 Hinge and butt assembly,  
 Interchanges 6616396000



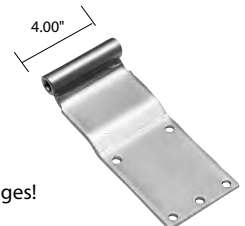
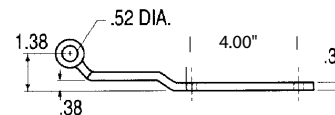
**KENTUCKY STYLE**  
**Part No. Description**  
**022-01040 2 Hole Hinge**  
 Hinge and butt assembly,  
 Interchanges 6616600000



**MANAC STYLE**  
**Part No. Description**  
**022-01041 3 Hole Hinge**  
 Interchanges V3K00002



**MINER STEEL HINGES**  
**Part No. Description**  
**H-1060-3 3 Hole Hinge, 5/16" Steel, .39 hole dia.**  
**H-1088 3 Hole Hinge, 1/4" Steel, .41 hole dia.**  
**H-1060-4 4 Hole Hinge, 5/16" Steel, .41 hole dia.**  
**H-1060-5-5 5 Hole Hinge, 5/16" Steel, .41 hole dia.**



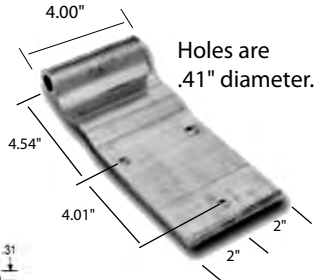
Great Replacements for Many kinds of Hinges!



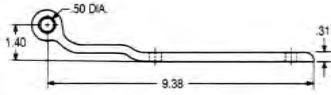
**REPLACEMENT DOOR HINGES**

**MONON STYLE**

**Part No. Description**  
**1010135** 3 Hole Hinge  
 Aluminum, with insert,  
 Interchanges ED045011

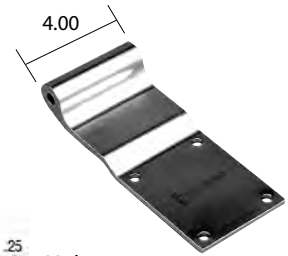


Holes are  
 .41" diameter.

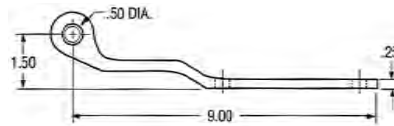


**STOUGHTON STYLE**

**Part No. Description**  
**1010166** 4 Hole Hinge  
 Extruded aluminum,  
 interchanges 04-08316

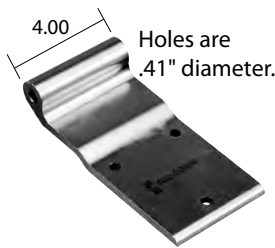


Holes are  
 .41" diameter.

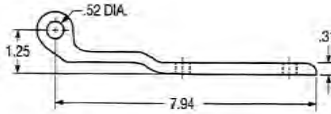


**MONON STYLE**

**Part No. Description**  
**1010183** 3 Hole Hinge  
 Extruded aluminum,  
 Interchanges PC1310

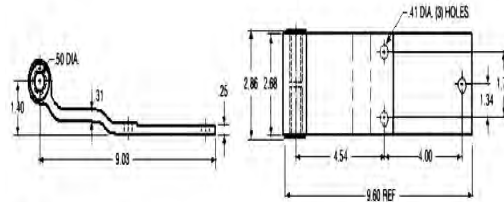


Holes are  
 .41" diameter.



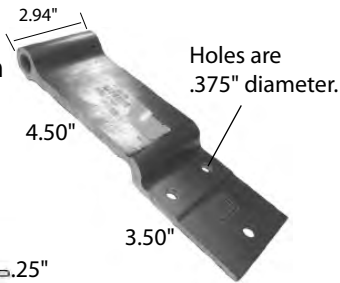
**STOUGHTON STYLE**

**Part No. Description**  
**022-01081** 3 Hole Hinge  
 Extruded aluminum,  
 interchanges 04-86386-001

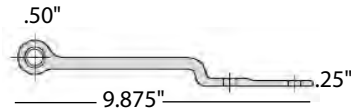


**MORGAN**

**Part No. Description**  
**MP-004188** 3 Hole  
 Aluminum



Holes are  
 .375" diameter.

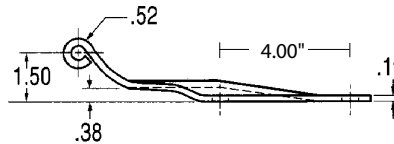


**STRICK**

**Part No. Description**  
**1010143** 3 Hole Hinge,  
 steel, zinc plated, interchanges  
 AA33C-0106-01, SK01361

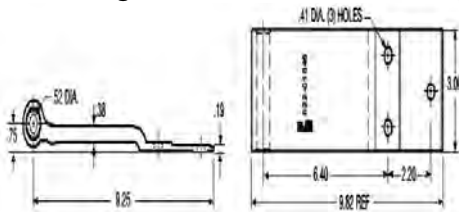


Holes are  
 .39" diameter.



**MORGAN**

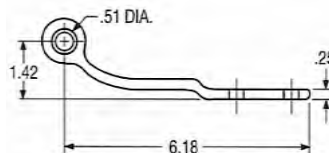
**Part No. Description**  
**022-01046** 3 Hole  
 Aluminum,  
 interchanges MP-004161



**STRICK**

**Part No. Description**  
**1010170** 3 Hole Hinge w/Insert,  
 Extruded aluminum, Interchanges  
 AA35F00100100, SK01475

Holes are  
 .41" diameter.

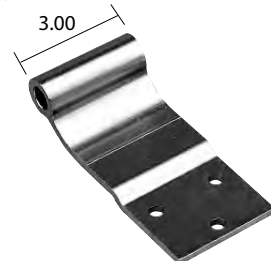
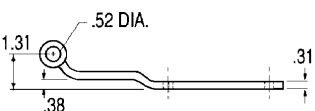


**PINES STYLE**

**Part No. Description**  
**1010160** 3 Hole Hinge,  
 2.62" Wide Aluminum,  
 interchanges AE54111



Holes are  
 .28" diameter.

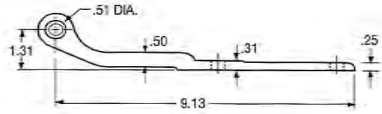
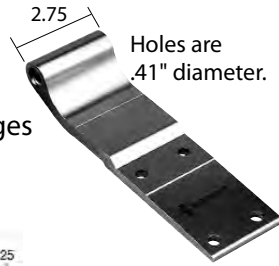




# REPLACEMENT DOOR HINGES

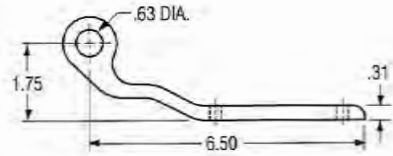
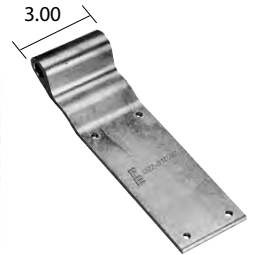
## STRICK

**Part No. Description**  
**1010171** 4 Hole Hinge  
 Extruded aluminum, Interchanges  
 AA35F00230100, SK01476



## TRAILMOBILE - 4 hole, extruded aluminum

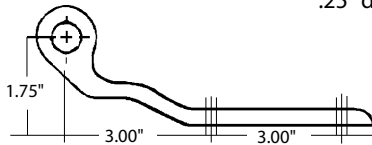
**Part No. Hole Sizes**  
**515-10-78-1** .25"  
**515-10-78-2** .39"



## TRAILMOBILE

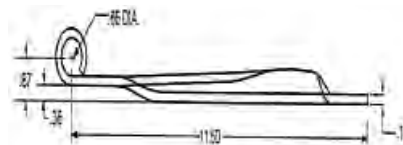
**Part No. Description**  
**515-10-65** Extruded Aluminum  
 3 Hole Hinge

Holes are .25" diameter.



## UTILITY STYLE

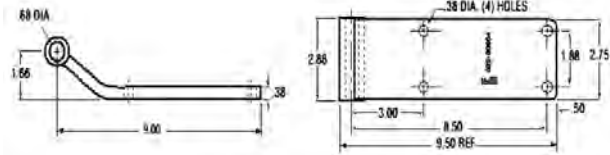
**Part No. Description**  
**1010165** 3 Hole Hinge, Steel Construction  
 Zinc Plated, Interchanges UTM-4950-004



Holes are .41" diameter.

## TRAILMOBILE

**Part No. Description**  
**515-A10-13** Extruded Aluminum  
 4 Hole Hinge

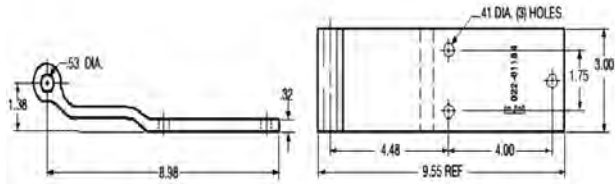


## UTILITY STYLE

**Part No. Description**  
**1010176** 3 Hole Hinge,  
 extruded aluminum,  
 Interchanges 3-4100-0022

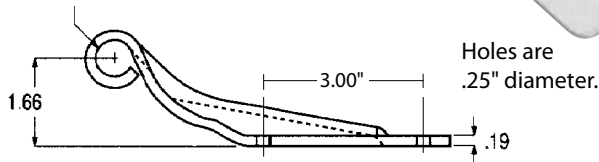
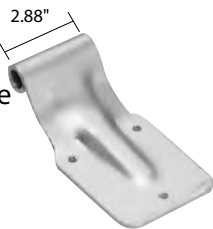


Holes are .41" diameter.



## TRAILMOBILE

**Part No. Description**  
**1010139** Steel, zinc plated, 3 hole  
 Interchanges 515-10-73A  
 .66 HOLE DIA.

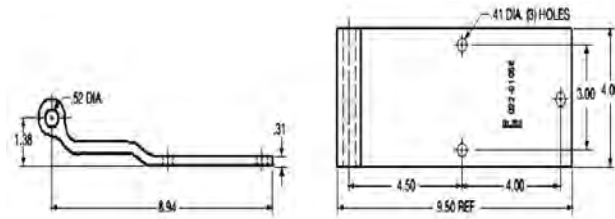


## UTILITY STYLE

**Part No. Description**  
**1010178** 3 Hole Hinge,  
 extruded aluminum,  
 Interchanges 3410019

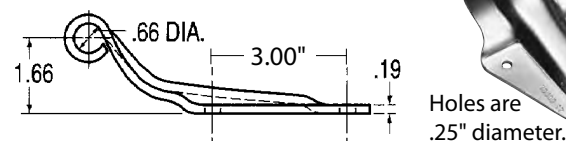


Holes are .41" diameter.



## TRAILMOBILE

**Part No. Description**  
**1010142** Steel, zinc plated,  
 3 Hole, Replaces 515-10-61A

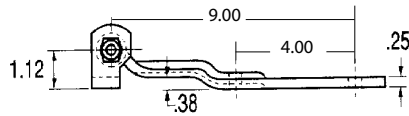




**REPLACEMENT DOOR HINGES**

**VARIOUS APPLICATIONS**

**Part No. Description**  
**1010147** Steel, zinc plated;  
 sold as assembly only.  
 Pin includes removable nut, bolt,  
 washers, hingebut and pin.

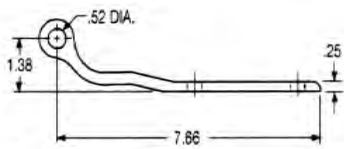


Holes are  
 .41" diameter.

**FLEET ENGINEERS**  
 INCORPORATED  
 Many Hinges provided  
 by Fleet Engineers.

**VANGUARD STYLE**

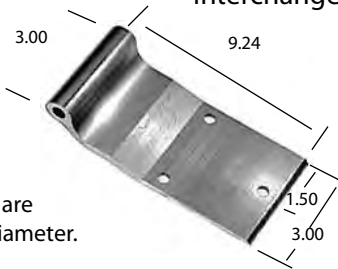
**Part No. Description**  
**1010137** Aluminum 3 Hole Hinge  
 Interchanges RFP00127



Holes are  
 .41" diameter.

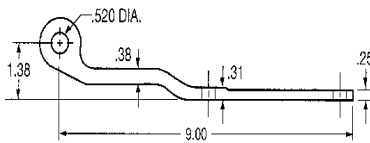
**VANGUARD STYLE INSERT FOR 1010137**

**Part No. Description**  
**022-01404** Insert only  
 Interchanges BSH-0001



**WABASH STYLE**

**Part No. Description**  
**1010162** Extruded Aluminum  
 4 Hole Hinge. Interchanges 21100291



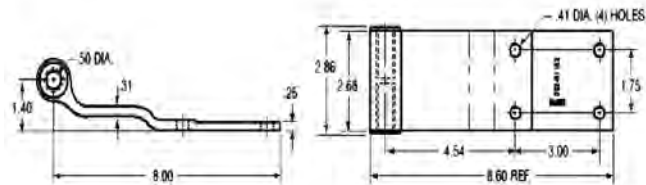
Holes are  
 .41" diameter.



**Similar to WABASH STYLE**

**Part No. Description**  
**P108940A** Extruded Aluminum  
 4 Hole Hinge, 2-3/4 x 8-1/2"  
 Interchanges WAB06301272

Holes are  
 .41" diameter.

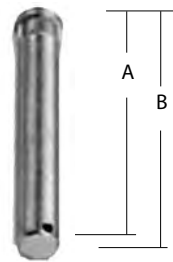




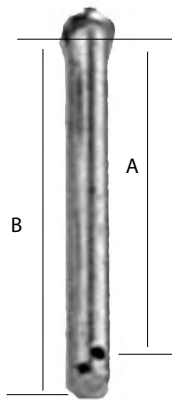
**REPLACEMENT TRAILER DOOR HINGE PINS**

**Hinge Pins - Steel, Zinc plated**

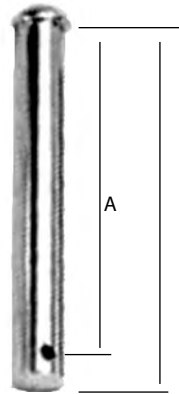
| Part No.       | Dia. | Length "A"                        | Length "B"                       | Hole Size | Application  |
|----------------|------|-----------------------------------|----------------------------------|-----------|--------------|
| <b>1010138</b> | 5/8" | 3 <sup>7</sup> / <sub>8</sub> "   | 4 <sup>1</sup> / <sub>16</sub> " | 5/32"     | Trailmobile  |
| <b>1153666</b> | 1/2" | 5"                                | 5 <sup>1</sup> / <sub>4</sub> "  | 5/32"     | Miner Hinges |
| <b>1153667</b> | 3/8" | 4 <sup>27</sup> / <sub>32</sub> " | 5"                               | 1/8"      | Great Dane   |
| <b>1153668</b> | 1/2" | 3 <sup>7</sup> / <sub>8</sub> "   | 4 <sup>1</sup> / <sub>8</sub> "  | 5/32"     | Various      |



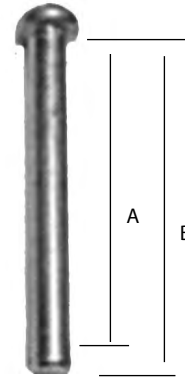
**1010138**



**1153666**



**1153667**



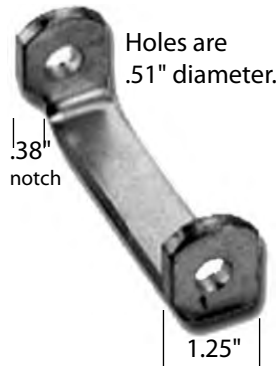
**1153668**



**REPLACEMENT DOOR HINGE BRACKETS (HINGE BUTTS)**

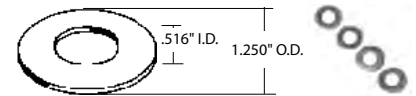
**Hinge Butts - Notched**

| Part No.             | Inside width | Height to hole center |  |
|----------------------|--------------|-----------------------|--|
| <b>1010136</b>       | <b>3.00"</b> | <b>1.38"</b>          |  |
| <b>1010150</b>       | <b>4.25"</b> | <b>1.25"</b>          |  |
| <b>HB-1156-6</b>     | <b>4.25"</b> | <b>1.38"</b>          | (Galvanized)                             |
| <b>HB-1156-6-P</b>   | <b>4.25"</b> | <b>1.38"</b>          | (Plain)                                  |
| <b>515-11-37-2</b>   | <b>3.00"</b> | <b>1.56"</b>          | (Uses 5/8" pin.)                         |
| <b>WCF003981-001</b> | <b>4.06"</b> | <b>1.18"</b>          | Fruehauf. Holes are .531". Base is 3/4". |



**Nylon Hinge Bearing Washer**

**Part No. 1036612**  
1/2" Hinge Pins.  
Use between bottom of hinge and hinge bracket.



**Hinge Butts - Straight**

| Part No.         | Inside width / | Height to hole center |                  |
|------------------|----------------|-----------------------|------------------|
| <b>1010164</b>   | <b>3.18"</b>   | <b>1.00"</b>          | (Base is 1.188") |
| <b>1010151</b>   | <b>4.25"</b>   | <b>1.25"</b>          |                  |
| <b>4101483</b>   | <b>2.88"</b>   | <b>2.13"</b>          |                  |
| <b>515-11-29</b> | <b>2.88"</b>   | <b>1.56"</b>          | (Uses 5/8" pin.) |
| <b>MP-087226</b> | <b>3.13"</b>   | <b>.875"</b>          |                  |
| <b>SK01330</b>   | <b>3.25"</b>   | <b>1.50"</b>          |                  |



**Universal Hinge Bracket - 2 pc.**

**Part No. 1010156**  
For any width hinge.  
For 1/2" diameter hinge pins, hole = .50"



**Great Dane Style Hinge Butt**

**Part No. 700-515-149**  
1.5" tall. 1.4" thick. 3-3/16" long.  
3/8" hole, 1-1/8" bottom to hole.





**SWING DOOR HOLDERS AND DOOR HOLDBACKS**

**Wire Door Holder (A) 4" Assembly**

|                 |                 |                  |
|-----------------|-----------------|------------------|
| Assembly        | Male Part Only  | Female Part Only |
| <b>Part No.</b> | <b>Part No.</b> | <b>Part No.</b>  |
| 1037901-4-25    | 1037901-4-M     | 1037901-F        |



**Wire Door Holder (A) 6" Assembly**

|              |             |           |
|--------------|-------------|-----------|
| 1037901-6-25 | 1037901-6-M | 1037901-F |
|--------------|-------------|-----------|



**Heavy Duty Cast Door Holder, "T" (B) 4" Assembly**

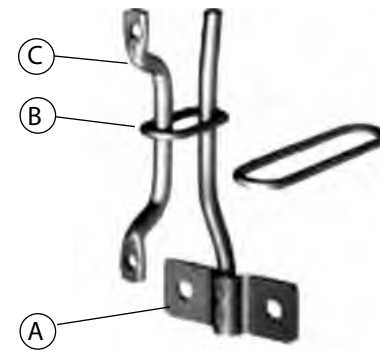
|                 |                 |                  |
|-----------------|-----------------|------------------|
| Assembly        | Male Part Only  | Female Part Only |
| <b>Part No.</b> | <b>Part No.</b> | <b>Part No.</b>  |
| 1037900         | 1037900-M       | 1037900-F        |

**Link Type Door Holder All Steel, Zinc plated finish**

|                           |                           |
|---------------------------|---------------------------|
| <b>2" Link Assembly</b>   | <b>4" Link Assembly</b>   |
| <b>Part No. 1010380-2</b> | <b>Part No. 1010380-4</b> |

**Individual Parts**

|                      |                         |
|----------------------|-------------------------|
| (A) Post & Bracket   | <b>Part No. 1010381</b> |
| (B) 2" Link          | <b>Part No. 1010382</b> |
| 4" Link (Great Dane) | <b>Part No. 1010384</b> |
| (C) Anchor           | <b>Part No. 1010383</b> |



**Complete Kit - Part No. 1010149 (021-00051)**

**Set chain, snap assembly, lap link, anchor**

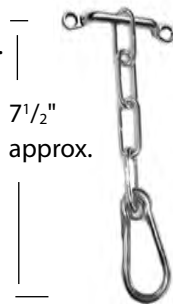
Approx. 7.5" from surface to clasp end.  
.25" holes on 2.63" centers. Zinc plated.

**Set chain, snap assembly, lap link**

**Part No. 021-00050**

**Lap link only**

**Part No. 021-00053**



7 1/2" approx.

**Pig-Tail Hold-Back**

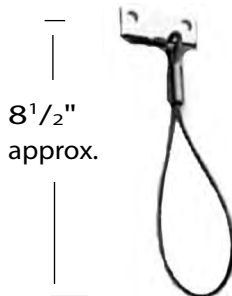
**Part No. 022-00577**

Steel construction, Zinc plated finish, projection welded. Holes .38 diameter on 2" centers. 3.89" tall. 3.25" wide. Bracket 1.25".



**Fruehauf Style Door Holder**

**Part No. 1010148** Plastic coated cable.  
Approx 8.5" long.  
9/32" dia. holes on 1 1/2" centers



8 1/2" approx.

**Chain and Snap Hook Assembly**

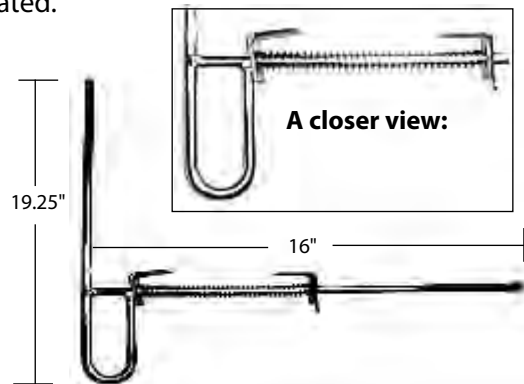
**Part No. 700-515-33**



**Spring Loaded Door Holder**

**Part No. 1037902**

Steel 1/2" diameter rod, zinc plated.



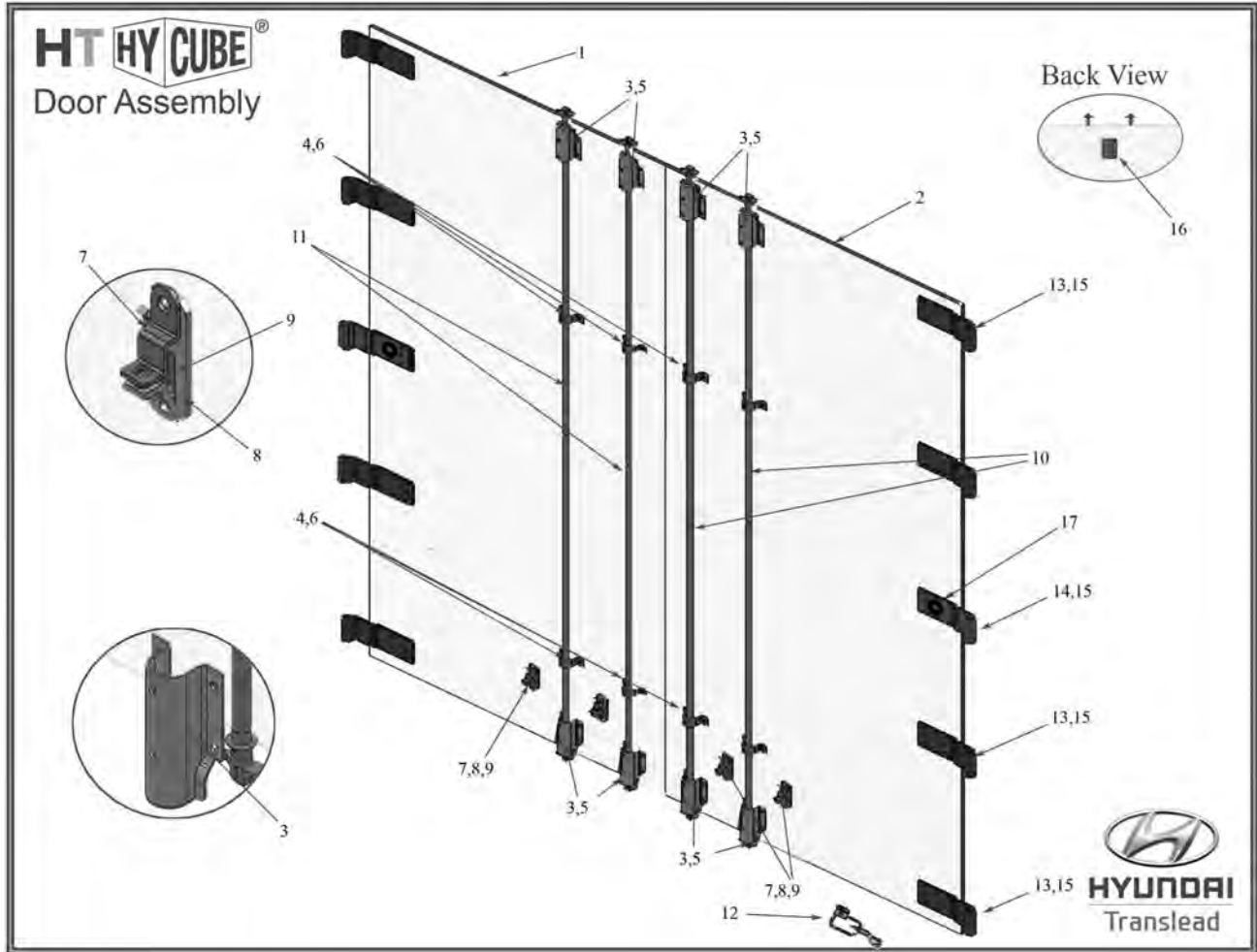
**Bracket and Chain Assembly**

**Part No. 700-515-141**  
Bracket Only = **Part No. 515-9-82-2**  
Chain Only = **Part No. 515-9-71A**





## SWING DOOR PARTS - HYUNDAI



### Door Assembly

#### Number

|    |                                       |
|----|---------------------------------------|
| -  | * REAR DOOR LH                        |
| -  | * REAR DOOR RH                        |
| 1  | DOOR PNL LH EAGON                     |
| 2  | DOOR PNL RH EAGON                     |
| 3  | BEARING BRACKET LARGE SAE JIN 87105/3 |
| 4  | BEARING BRACKET SMALL SAE JIN 87009/B |
| 5  | BUSHING LARGE SAE JIN 87006/4         |
| 6  | BUSHING SMALL SAE JIN 87010/B         |
| 7  | HANDLE RETAINING PLATE SAE JIN 87043  |
| 8  | HANDLE RETAINER CATCH SAEJIN 87042    |
| 9  | HANDLE RETAINER BUSH SAE JIN 87031    |
| 10 | LOCKING ROD RH SAE JIN H08-035-4      |
| 11 | LOCKING ROD LH SAE JIN H08-035-4      |
| 12 | CHAIN ASSEMBLY                        |
| 13 | HINGE BLADE 4 HOLE LS CABLE           |
| 14 | HINGE BLADE W/BUMPER HOLE             |
| 15 | HINGE BUSHING SAE JIN PH5023          |
| 16 | TIR PLATE                             |
| 17 | DOOR BUMPER                           |

#### Part Number

|               |
|---------------|
| VT4300LSW-001 |
| VT4300RSW-001 |
| 10044229      |
| 10044230      |
| 10039417      |
| 10023903      |
| 10039418      |
| 10023905      |
| 10015901      |
| 10015900      |
| 10015899      |
| 10034394      |
| 10034393      |
| 10038159      |
| 10009669      |
| 20013707      |
| 10015902      |
| 20013101      |
| 10007846      |





## SWING DOOR PARTS - HYUNDAI

**Part No. HY10015891**

Lock Rod Guide Plate.  
BBOS 87104/3 SJ.

**Part No. HY10015892**

BBOS 87009/4 SJ.

**Part No. HY10015893**

Cam Keeper. RH lower. 87001

**Part No. HY10015894**

Cam Keeper. LH lower. 87002

**Part No. HY10015895**

Cam Keeper. RH top. 87001

**Part No. HY10015896**

Cam Keeper. LH top. 87002

**Part No. HY10015897**

Cam Keeper. Upper LH. V001-3 SJ

**Part No. HY10015898**

Cam Keeper. Upper RH. V001-3 SJ

**Part No. HY10015904**

Hinge Lug. 115-15369

**Part No. HY10015907**

Split Bushing.

**Part No. HY10015908**

Small split bushing.

**Part No. HY10016045**

Hinge with bushing. Hot Dipped Galvanized.  
H01-024.

**Part No. HY10016046**

Hinge Lug. 115-15139.

**Part No. HY10015933**

Lock Rod - LH. H08-019-1  
Includes handle and cam ends.

**Part No. HY10015935 (Shown)**

Lock Rod - RH. H08-019-1  
113.75" tip to tip. Cams are 2.75".  
Includes handle and cam ends.

**Part No. HY10016339**

Lock rod. LH. Includes handle  
and cam ends. H08-11-05.

**Part No. HY10005893**

Lock rod. RH. Includes handle  
and cam ends. H08-11-05.

**Part No. HY10022607**

Lock rod. LH. Includes handle  
and cam ends. H08-019-50.

**Part No. HY10022608**

Lock rod. RH. Includes handle  
and cam ends. H08-024-3.

**Part No. HY10030759**

Lock rod. LH. Includes handle  
and cam ends. H08-035. 113.05"

**Part No. HY10030760**

Lock rod. RH. Includes handle  
and cam ends. H08-035. 113.05"



**HYUNDAI**  
Translead



**SWING DOOR PARTS - HYUNDAI**

**Part No. HY10017611**

Composite Door - Left Hand.  
Q01-040. 116.25". With gasket.

**Part No. HY10017612 (Shown)**

Composite Door - Right Hand.  
Q01-040. 116.25". With gasket.

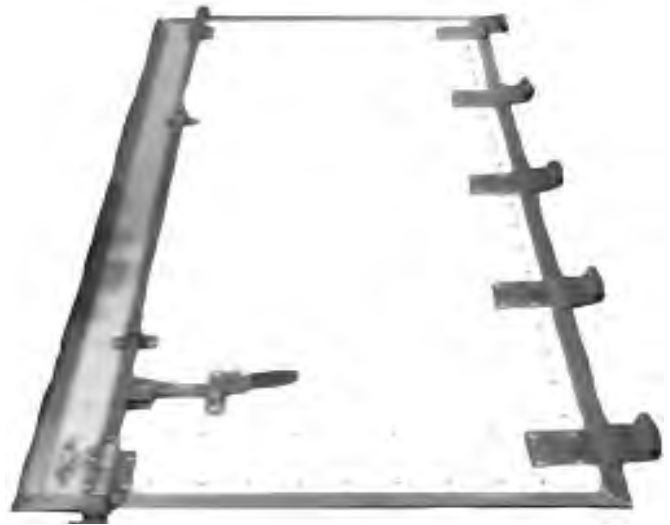


**Part No. HY20050370**

Reefer Door - Left Hand - White.  
3-16342-1

**Part No. HY20050391**

Reefer Door - Right Hand - White.  
3-16342-1



**Part No. HY10028436**

Composite Door - Left Hand.  
Q01-040. Orange.

**Part No. HY10028437**

Composite Door - Right Hand.  
Q01-040. Orange.

**Part No. HY20051280**

Reefer Door - Left Hand - White.  
With PVC coating.

**Part No. HY20051291**

Reefer Door -Right Hand - White.  
With PVC coating. 3-16349

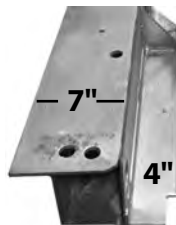
**Part No. HY20054642**

Reefer Door - Left Hand - White.  
.047x49x144 white. With PVC coating.



**Part No. HYVT4150SW10301G**

Door Sill. Swing door. Galvanized.  
102.61" total length.





**DOCUMENT HOLDERS - BODY ATTACHMENT**

**Aluminum Manifest Box**

Mill finish aluminum with stainless steel hardware. Top closes into foam gasket, keeping contents dry. Three 1/4" mounting holes.

**Part No. Size**  
**1011535** 8<sup>3</sup>/<sub>8</sub>" x 13<sup>3</sup>/<sub>8</sub>" x 1<sup>1</sup>/<sub>2</sub>"



**Document Holder**

Rugged aluminum extruded one piece holder with 4 hole mount Railroad approved. Rubber ends.

**Part No. Dia. Length**  
**1011536** 1<sup>5</sup>/<sub>8</sub>" 7"

**Rubber End Plugs (Plugs only)**  
**1011536-1**



**Lexan Certificate Holder**

Surface mount, with spring retainer, tough Lexan body and lid.

**Part No. Size**  
**FC-1** 4<sup>7</sup>/<sub>8</sub>" x 5<sup>7</sup>/<sub>8</sub>" x 1<sup>5</sup>/<sub>8</sub>"  
**FC-1-LID** Lid (Cover)



Water proof – Documents remain dry in extreme weather Twist-on lens with large grips – Easy to use with gloves on. Stainless steel hardware – Keeps documents rust free. Stainless steel tether prevents misplacement of lid.

**Part No. 16-802**  
**PHILIPS**



**Document Holder**

Twist-on cover with gasket protects documents from dirt and moisture while allowing convenient access. Lid has cable. Polycarbonate body.

**Part No. Size**  
**9790960 (Yellow)** 5<sup>1</sup>/<sub>2</sub>" x 5<sup>1</sup>/<sub>2</sub>" x 2<sup>1</sup>/<sub>8</sub>"  
**9790980 (Grey)** 5<sup>1</sup>/<sub>2</sub>" x 5<sup>1</sup>/<sub>2</sub>" x 2<sup>1</sup>/<sub>8</sub>"



**Plastic Document Holder**

Made of chemical resistant high impact plastic. Cover is smoked polycarbonate and includes permanently adhered gasket. Moisture resistant.

**Part No. Size**  
**TL97960** 5.86" x 5.22" x 1.85"  
**TL97962** Lid (Cover) w/ gasket



**Permit Holder**

Formed rust-proof housing with vinyl pouch with self sealing zipper for easy insertion of paper. Easy mounting. Frame O.D. 4<sup>7</sup>/<sub>8</sub>" x 7<sup>3</sup>/<sub>16</sub>".

**Part No. Window Size**  
**1010248** 3<sup>7</sup>/<sub>8</sub>" x 5<sup>1</sup>/<sub>8</sub>"



**Permit Holder**

Laminated for all weather protection. Sealing zipper for easy insertion of paper. Four mounting holes with grommets for easy mounting.

**Part No. Size**  
**GR43411** 6" x 9"



**Diecast Aluminum Security Box**

Convenient waterproof storage licenses, permits, maintenance records, titles and registration papers. Clipboard size: 3<sup>1</sup>/<sub>2</sub>" x 5<sup>1</sup>/<sub>4</sub>" (Lid Part No. JK300L)

**Part No. Size**  
**JK300** 5<sup>1</sup>/<sub>4</sub>" x 7" x 2"  
**JK300L** Lid only



**Model 550 Record Box**

Thin box. Will mount on side of exterior post trailer or container without exceeding width limit. Inside size 9<sup>1</sup>/<sub>2</sub>" x 12<sup>1</sup>/<sub>4</sub>" x 3/4". High impact plastic. (Lid Part No. JK550L)

**Part No. Size**  
**JK550** 10" x 15" x 1<sup>1</sup>/<sub>4</sub>"



**Model 350 Security Box**

Space age "Xenoy" construction. Waterproof protection for titles, licenses, vehicle inspections, etc Enclosure size: 3<sup>1</sup>/<sub>2</sub>" x 5" x 1"

**Part No. Size**  
**JK350** 5<sup>1</sup>/<sub>4</sub>" x 7" x 2"



**Model 500 Record Box**

Waterproof protection for all permits, manifests, logs and registrations. Heavy duty high impact plastic. Inside size: 10" x 14".

**Part No. Size**  
**JK500** 11<sup>1</sup>/<sub>2</sub>" x 16" x 2"





## TRAILER BODY ACCESSORIES

### Nash Style Tire Carriers

Heavy duty 12 gauge formed steel.  
Black primer finish. Accommodates tires up to 11x 22.5 and 12 x 24.5.  
Available assembled or unassembled.  
(Mounting kit not included.)  
(Chain and clip included. **Part No. C-2325**)

| Description            | Part No.         |
|------------------------|------------------|
| Assembled              | <b>1010323</b>   |
| Unassembled            | <b>1011590</b>   |
| Super Single 22.5/24.5 | <b>984-00074</b> |

(984-00074 is assembled)



### Nash Style Spare Tire Carrier Mounting Kit

**Part No. 981-00166**

- Enable installation to I-Beam crossmembers
- Black Primer finish
- Includes zinc plated hardware

### Chrome Grab Handles

13" overall, 7" grab area. 2" high.  
Holes countersunk for 1/4" screws

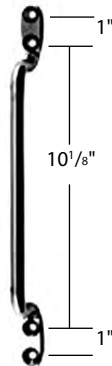
**Part No. 1014218**

Chrome plated, 29.75" overall length, 24" grab.

**Part No. 1014624**

Chrome plated, 41.68" overall length, 36" grab.

**Part No. 1014636**



### Folding Step

Investment cast, folding grab or step, zinc plated. Stainless spring holds step in open or closed position. Non-skid step surface. Four inches wide, extends four inches when unfolded. **Part No. 1032157**



### Adjustable Vent

Aluminum.  
Fits 11<sup>1</sup>/<sub>4</sub>" x 9<sup>1</sup>/<sub>2</sub>" opening. Lever allows adjustment of air flowing through four 2" diameter holes.

**Part No. 1024359**    **Size 12<sup>1</sup>/<sub>4</sub>" w x 10<sup>1</sup>/<sub>2</sub>" h**



### Vent Door Assembly

White double sealed foamed door with aluminum frame with screen.

**Complete Part No. 1105449**

**Door Latch Only 1105450**

Outside Frame Flange 20" x 15"

Panel Cutout 17<sup>1</sup>/<sub>2</sub>" x 11<sup>5</sup>/<sub>8</sub>"

Door Opening 16<sup>7</sup>/<sub>8</sub>" x 11<sup>5</sup>/<sub>16</sub>"



**Skylights** are molded in one piece from shatter-proof translucent fiberglass reinforced plastic. Supplied complete with self-sealing rubber grommet. For installation into 12" diameter holes. Easy snap-in installation with grommet cord.

**Size 12" Part No. 1031143**



### Stainless Steel Lock Pin

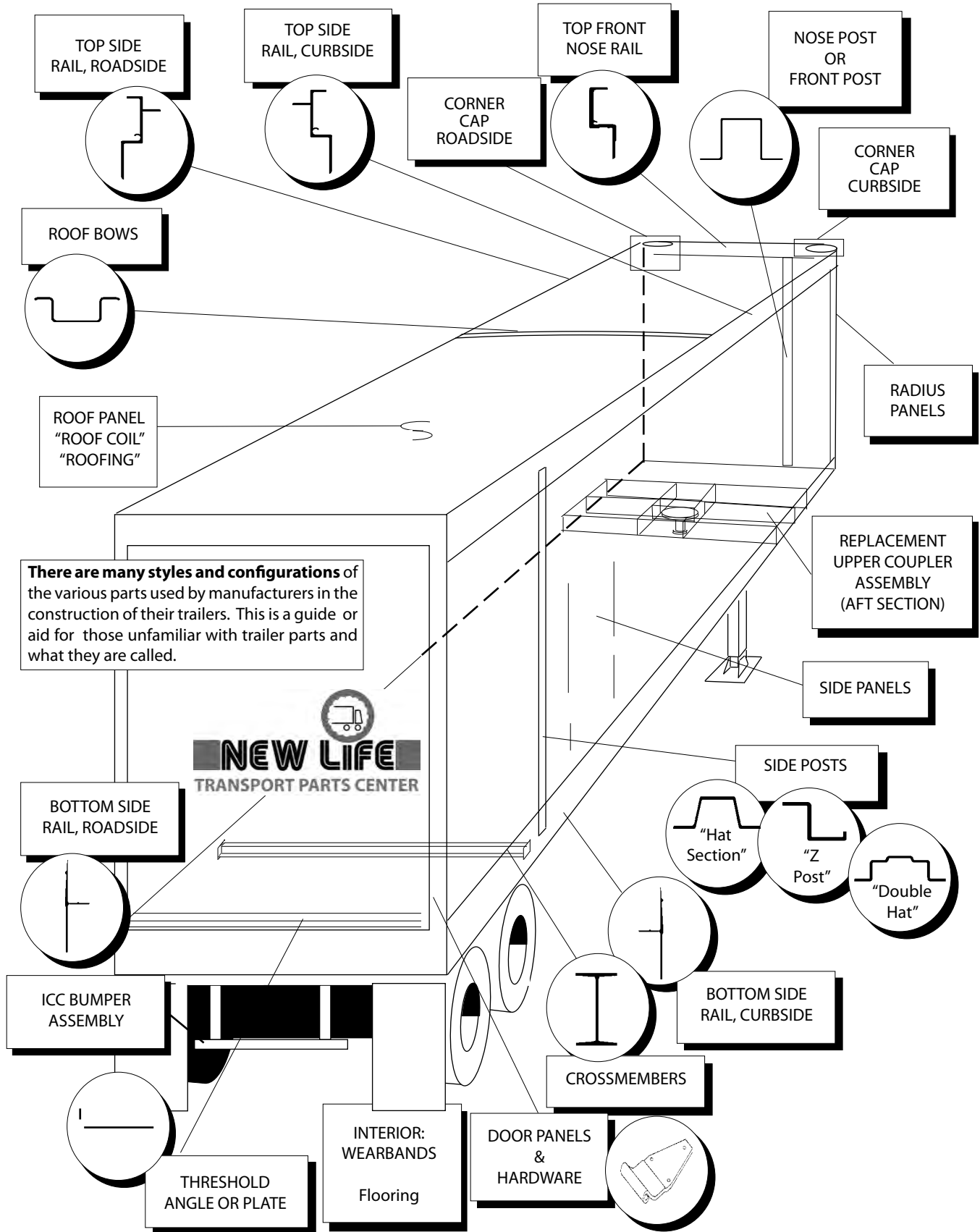
**Part No. 1012040**    **Dia. 5/16"**

**Usable Length 2<sup>1</sup>/<sub>2</sub>"**





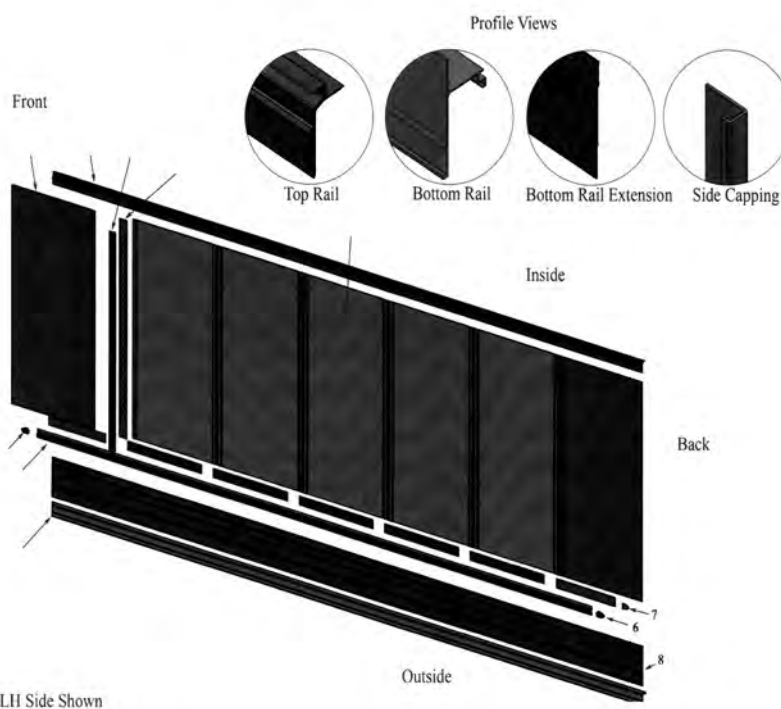
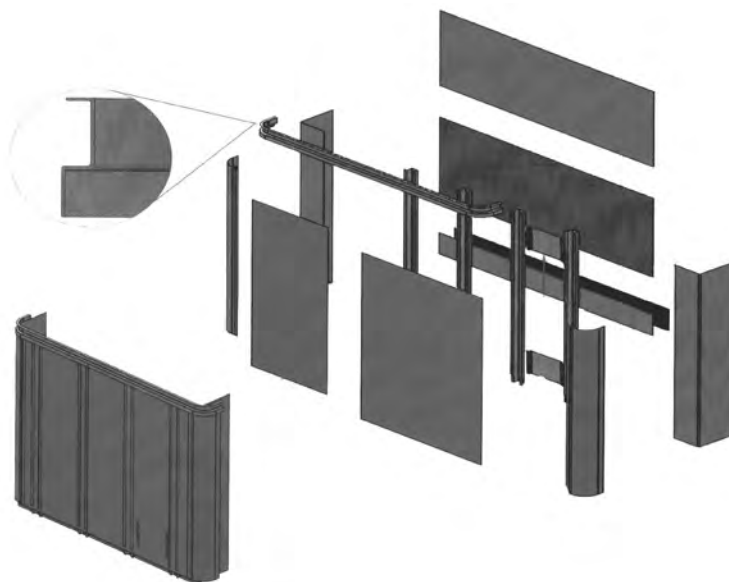
**TRAILER BODY PARTS - NOMENCLATURE - TYPES OF BODY PARTS**





**TRAILER BODY PARTS LISTING**

- Aluminum Roof**
- Translucent Roof**
- Scuff**
- Flooring**
- Fasteners**
- Crossmembers**
- Nose Rails**
- Corner Caps**
- Radius Panels**
- Nose Posts**
- Top Rails**
- Bottom Rails**
- Side Posts**
- Roof Bows**
- Side Panels**
- Misc.**
- ICC Bumpers**





**TRANSLUCENT ROOF**

**Kemlite®  
Transportation  
PRODUCTS**

Aluminum view & Translucent view



See the load without the use of a spotlight.

**Cut To Length Coils**

.075 thick roof in precut coils.  
102" & 102.5" wide.

| Length | Part No.              |
|--------|-----------------------|
| 24'    | <b>NL075X102X24</b>   |
| 26'    | <b>NL075X102X26</b>   |
| 29'    | <b>NL075X102X29</b>   |
| 50'    | <b>NL075X102X50</b>   |
| 54'    | <b>NL075X102X54</b>   |
| 29'    | <b>NL075X102.5X29</b> |
| 54'    | <b>NL075X102.5X54</b> |

**Master Coil**

.075 Thickness : 500 FT  
102" Width

**Part No. NL075X102MC**

Master coils of translucent roof coil in bulk quantities are sold by the foot.

Coils are 500 feet long.

**Kemlite  
ETR®**

Translucent Roof Panels

**Enhanced Tear Resistance**



Best tear resistance in class due to Enhanced Tear Resistant fabric throughout entire roof panel.  
~34lbs weight savings compared to aluminum  
~5 year limited warranty  
• Specification:  
-- Nominal Thickness: .075"  
-- Nominal Weight: .49 lbs/ft.

**ETR Cut To Length Coils**

.075 thick roof in precut coils.  
102" & 102.5" wide.

| Dimension    | Part No.       |
|--------------|----------------|
| 075X102X29   | <b>1164531</b> |
| 075X102X54   | <b>1164532</b> |
| 075X102.5x54 | <b>1164535</b> |

**Kemlite®  
Transportation  
PRODUCTS**



**USDA Approved Fiberglass Translucent Roof**

**Glasteel** introduces the ideal material for the truck and trailer industry.

Steeliner is a fiberglass reinforced panel recommended for both refrigerated and dry van bodies. Specially engineered to withstand the abuse common to the trucking industry, Steeliner provides years of low maintenance and trouble free service to you and your customers.

|                              | Part No.          | Description                  |
|------------------------------|-------------------|------------------------------|
| •Impact & abrasion resistant | <b>1164250-MC</b> | 075X103X250 (Master Coil)    |
| •Moisture resistant          | <b>1164500-MC</b> | 075x103x500 (Master Coil)    |
| •Rust & mildew resistant     | <b>1165075</b>    | 075x103x55                   |
| •Low maintenance cost        | <b>1165100-TR</b> | 075x103x55 (Tear Resistent)  |
|                              | <b>1165250-TR</b> | 075X103X250 (Tear Resistent) |

*Call for availability of other sizes!*

•Cleans easily

•Excellent weathering properties





**KEMLITE TRANSLUCENT ROOF REPAIR KITS**

**Get Your Trailer Out of the Repair Shop and Back on the Road in 30 Minutes!**

The SunPatch fiberglass repair kit is a technique specifically designed for repairing damage to Crane Composites' roof panels. The patch is a pre-impregnated fiberglass mat packaged individually in a foil pouch and is easily applied.

- Repairs for small tears and punctures
- Cures in 10 minutes after exposure to UV rays
- Works in hot or cold climates (0-100° F)
- No mixing of resin required
- Kit comes ready to use with protective gloves and a squeegee



**Kemlite Roof repair Kit  
Part No. 1164524**

- 1 Quart of T-Mix
- 1 Tube of catalyst (1/2 Oz.)
- 1 2' x 4' piece of chopped strand mat
- 1 3' x 4' piece of embossed film
- 1 3' x 4' piece of smooth film
- 2 Mixing cups (1 pint)
- 2 Squeegees
- 2 Mixing sticks
- 1 Pair of gloves



**Kemlite SunPatch® Fiberglass Repair Kit  
Part No. 1164530**

Repairs small tears and punctures (12X12)  
Cures in 10 minutes after exposure to UV rays  
Works in hot or cold climates (0 - 100 degrees F)  
No mixing of resin required.

**Kit contains:**

- 1 patch
- 1 squeegee
- 2 gloves, instructions, and one MSDS sheet.



**FLEXAN™ - Translucent Patches For Roof Repairs**

This is the ideal repair material; the repair can be made from the inside or outside. For large repairs it may be necessary to apply to both sides. Use Easy Off to remove any accumulation of diesel smoke.

**Kit No. VF1224T**

(contains five 12" x 24" self adhesive translucent sheets.)

Pack = 5 pieces. Sold Each.

**ALUMINUM ROOF**

**Master coils** of aluminum roof coil in bulk quantities are sold by the pound. They vary in weight, with most coils weighing approximately 4000 pounds. This makes a 103" coil approximately 825 feet long.  
.040 Thickness,  
3103B-H26

**Width Part No.**  
103" **040X103**



**Cut To Length Coils - 103" Wide**

.040 Thick, 3103B-H26

**Size Part Number**

29' **1164512**

54' **1164517**







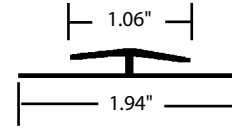
**FIBERGLASS SCUFFPLATE - WALL LINER**

**.090 (3/32") Material Thickness**

| Height in (") | Length in Feet | Part Number  |
|---------------|----------------|--------------|
| 12            | 53             | NL090X12X53  |
| 16            | 53             | NL090X16X53  |
| 24            | 53             | NL090X24X53  |
| 48            | 53             | NL090X48X53  |
| 96            | 53             | NL090X96X53  |
| 101           | 53             | NL090X101X53 |



**Plastic Divider for sheet panels**  
Stock Length 96"  
**Part No. X213X96**



**.120 (1/8") Material Thickness**

| Height in (") | Length in Feet | Part Number |
|---------------|----------------|-------------|
| 16            | 53             | NL120X16X53 |

**.240 (~1/4") Material Thickness**

| Height in (") | Length in Feet | "Monster Scuff" Part Number |
|---------------|----------------|-----------------------------|
| 24            | 48             | NL24X24X48                  |

**Full Sheet Panels of Kemlite**  
.90 / .120 thick.  
4' wide, 8' or 9' tall

| Part No.         | Description               |
|------------------|---------------------------|
| <b>NL090X4X8</b> | 4' x 8' sheet, .090 thick |
| <b>NL090X4X9</b> | 4' x 9' sheet, .090 thick |
| <b>NL120X4X8</b> | 4' x 8' sheet, .120 thick |



**HARDWOOD WALL SCUFF AND PLYWOOD**

| Part No.       | Description                     |
|----------------|---------------------------------|
| <b>3/4X624</b> | 3/4" thick, 624" Long (52 Feet) |
| <b>3/4X96</b>  | 3/4" thick, 96" Long (8 Feet)   |



**Part No. 1011013**  
**Description:** 48" x 96" Plywood Liner. 6mm. (size nominal)



**Plywood Screws**  
**Ez In / Ez Out**

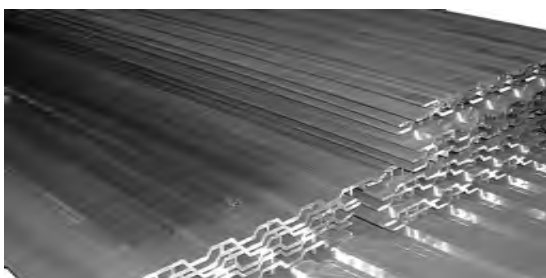
- Part No. 1026075 - #10 x 3/4"**
- Part No. 1026080 - #10 x 1"**
- Part No. 1026085 - #10 x 1-1/4"**

**ALUMINUM AND STEEL WEARBAND**

**Aluminum Wearband**

1.5 lbs. per foot.

| Part No.                          | Description                                  |
|-----------------------------------|--|
| <b>90-4-996-626</b><br>(X511X624) | Extruded aluminum,<br>12" high, 52 feet long |



**Steel Wearband**

**Hot Dipped Galvanized (HDG) 18 gauge.**  
Corrugated with closed end corrugations for no-snap loading and unloading.

| Part No.          | Description            |
|-------------------|------------------------|
| <b>1014342-39</b> | 7" high, 39 feet long. |
| <b>1014342-52</b> | 7" high, 52 feet long. |
| <b>1014343-52</b> | 12" high, 52 feet long |
| <b>1014344-52</b> | 18" high, 52 feet long |





### PLASTIC SCUFFPLATE - WALL LINER

**Plastic scuffplate** is made from high density polyethylene (HDPE), prime pigment, UV-inhibitors, and selected process additives. It resists moisture, corrosion, insect infestation and other elements. It will not absorb moisture, therefore it cannot warp, splinter, crack or rot. Plastic scuffplate can be drilled, cut, or routed.



#### 8 Foot Length

| Color | Description     | Part No. |
|-------|-----------------|----------|
| Black | 5/8" x 12" x 8' | 1014341  |

#### 27 Foot Length

| Color | Description      | Part No. |
|-------|------------------|----------|
| Black | 5/8" x 12" x 27' | 1014345  |

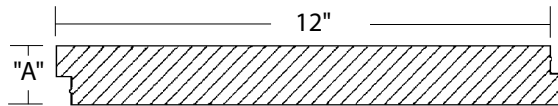
#### 52 Foot Length

| Color | Description      | Part No. |
|-------|------------------|----------|
| Black | 5/8" x 12" x 52' | 1014348  |
| White | 5/8" x 12" x 52' | 1014349  |
| Black | 5/8" x 18" x 52' | 1014356  |
| White | 5/8" x 18" x 52' | 1014357  |

### TRAILER FLOORING - LAMINATED HARDWOOD

#### 1-1/8 ("A") THICK BOARDS

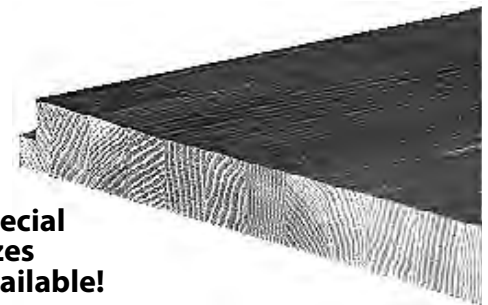
| Length | Part No. | Ends   |
|--------|----------|--------|
| 26'    | 11/8x312 | Yellow |
| 52'    | 11/8x624 | Yellow |



#### 1-1/4 ("A") THICK BOARDS

| Length | Part No. | Ends  |
|--------|----------|-------|
| 26'    | 11/4x312 | Brown |
| 52'    | 11/4x624 | Brown |

Restore your Trailer Flooring with Key Polymer Floor Restore Kits!



**Special Sizes Available!**

#### 1-3/8 ("A") THICK BOARDS

| Length | Part No. | Ends   |
|--------|----------|--------|
| 26'    | 13/8x312 | Orange |
| 52'    | 13/8x624 | Orange |

See them in our chemicals section! **KEY POLYMER CORP.**

### APITONG FLOORING AND CONTAINER FLOORING PANELS

| Part No.       | Description                                      |
|----------------|--|
| AP1-1/8X5X16   | 1-1/8" thick, 5" wide, 16' long. (2240' /bundle) |
| AP1-1/8X7X16   | 1-1/8" thick, 7" wide, 16' long. (1600' /bundle) |
| AP1-5/16X5X16  | 1-5/16" thick, 5" wide, 16' long.(1792' /bundle) |
| AP1-5/16X7X16  | 1-5/16" thick, 7" wide, 16' long.(1280' /bundle) |
| AP3/4X2-5/8X16 | Apitong Tieslat, 3/4" x 2-5/8" x 16'.            |

**Part No. 9910129**  
19 Ply, 1-1/8" Thick, 4' x 8', Australian Treated.  
(Can be purchased as each.) (Skid Quantities Vary.)



Note: Sold by the running foot. Shiplap. 5 and 7 Inch Widths. 16' Lengths.



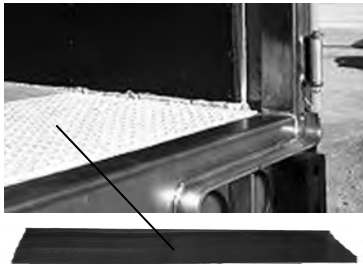


**STEEL PARTS FOR WOOD FLOORS & BOLT KITS**

**Trailer Threshold Plate**

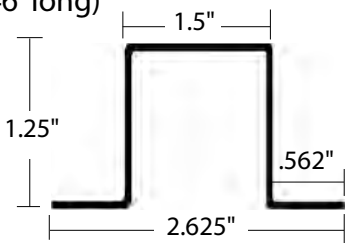
Tough 1/8" steel diamond plate. Protects expensive wood flooring from fork lift wear and tear. 1 3/8" lip.

**Part No. Size**  
**1063098 22 5/8" x 96"**



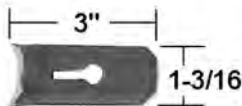
**Floor Center Board Channel**

**Part No. 1063099**  
 Galv. steel, 14 gauge. 553" long (46' long)



**DECK CLIP - BASE STEEL 3" x 1-3/16"**

**Part No. 1011585**



**TORX® Drive Flat Head Floor Screws**

- Positive TORX Drive
- Easy trouble-Free Installation
- Phosphate and Oil Finish
- Available In Bulk And Plastipack



**PLASTIPACK**

| Size           | Pack | Part No.    |
|----------------|------|-------------|
| 1/4-20x1"      | 100  | 1013492-100 |
| 1/4-20x1 1/2"  | 100  | 1013493-100 |
| 1/4-20x2"      | 100  | 1013494-100 |
| 1/4-20x2 1/2"  | 100  | 1013495-100 |
| 1/4-20x3"      | 100  | 1013496-100 |
| 1/4-20x4"      | 50   | 1013498-50  |
| 1/4-20x5"      | 50   | 1013500-50  |
| 1/4-20x6"      | 50   | 1013502-50  |
| 5/16-18x2"     | 100  | 1025371-100 |
| 5/16-18x2 1/2" | 100  | 1025373-100 |
| 5/16-18x3"     | 100  | 1025374-100 |

**BULK**

| Size           | Pack | Part No. |
|----------------|------|----------|
| 1/4-20x1"      | 3000 | 1013492  |
| 1/4-20x1 1/2"  | 2200 | 1013493  |
| 1/4-20x2"      | 1700 | 1013494  |
| 1/4-20x2 1/2"  | 1400 | 1013495  |
| 1/4-20x3"      | 1300 | 1013496  |
| 1/4-20x4"      | 1000 | 1013498  |
| 1/4-20x5"      | 800  | 1013500  |
| 1/4-20x6"      | 750  | 1013502  |
| 5/16-18x2"     | 1200 | 1025371  |
| 5/16-18x2 1/2" | 1000 | 1025373  |
| 5/16-18x3"     | 700  | 1025374  |

**Phillips Insert Bit 1/4" Shank Hex**

| Length | Point Size | Part No. |
|--------|------------|----------|
| 1"     | 2          | 440-2    |
| 1"     | 3          | 440-3    |



**Phillips Insert Bit 5/16" Shank Hex**

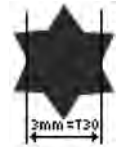
| Length | Point Size | Part No. |
|--------|------------|----------|
| 1 1/4" | 2          | 480-2    |
| 1 1/4" | 3          | 480-3X   |



**What size torx key/bit/driver?**

Torx sizes are shown in multiples of 0.1mm, so a size of T20 is 2.0mm. Ideally you should find out the spec of the screw you're trying to undo to be sure you have the correct size torx key. The size is the diameter measured from the inside points of the star. So a measurement of 1.5mm would need a T15 key.

- Extra hard
- Positive torque control
- Maximum drive surface
- Hot formed for optimum performance and wear



**1/4" Shank Hex**

| Length | Point Size | Actual Size | Part No. |
|--------|------------|-------------|----------|
| 1"     | T20        |             | 440TX20  |
| 1"     | T25        |             | 440TX25  |
| 1"     | T30        |             | 440TX30  |
| 1"     | T40        |             | 440TX40  |



**5/16" Shank Hex**

| Length | Point Size | Actual Size | Part No. |
|--------|------------|-------------|----------|
| 1 1/4" | T30        |             | 480TX30  |
| 1 1/4" | T40        |             | 480TX40  |
| 1 1/4" | T45        |             | 480TX45  |
| 1 1/4" | T50        |             | 480TX50  |
| 1 1/4" | T55        |             | 480TX55  |



**Power Sockets**

- 1/2" Square Drive
  - Optimum resistance to wear
  - For self tapping screws
- | Part No. | Hex Opening | Length |
|----------|-------------|--------|
| 855      | 5/16"       | 1 3/4" |



858

1/4"



1 3/4"



## FASTENERS MONOBOLTS AND TAP-ITS

### MONOBOLT® RIVET

The Monobolt® rivet is a hole filling, multi-grip, structural breakstem rivet available in steel or aluminum construction. Also, it can stop sheet movement in applications with non-standard holes. However, the main feature of the Monobolt® rivet is an internal, mechanical lock of the rivet stem.

| Part No.          | Description  | Pack Qty |
|-------------------|--|----------|
| <b>50-18Z-487</b> | Monobolt, stainless steel, 1/4" diameter, .375 grip        | 100      |
| <b>50-B18K-45</b> | Collar, 1/4" magna grip                                    | 100      |
| <b>50-B18Q-19</b> | Magna grip lock bolt, 3/8"                                 | 50       |
| <b>50-B18Q-7</b>  | Magna grip lock bolt , 1/4"                                | 50       |
| <b>700-50-28</b>  | Klik-Lock rivet 1/4", buttonhead, aluminum, .080-.375 grip | 100      |
| <b>700-50-29</b>  | Monobolt, aluminum, BAPV810                                | 100      |
| <b>700-50-30</b>  | Klik-Lock rivet 1/4", buttonhead, steel, .080-.375 grip    | 100      |
| <b>700-50-31</b>  | Klik-Lock rivet 1/4", buttonhead, steel, ..350-.625 grip   | 100      |

**50-B18K-45****50-B18Q-7****700-50-31**

### Truss Head Nylon Drive

#### Rivets (Tap-Its)

Durable nylon construction offers excellent strength while still remaining resilient.

- Can be used on wood, plastic, metal, concrete, fiberglass, etc.
- Plated steel pin is slotted and can be backed out with a screw driver for easy removal.
- No special tools required...install with a common hammer.



| Head Dia. | Size               | Range         | Part No.         |
|-----------|--------------------|---------------|------------------|
| 9/16"     | <b>1/4"x3/4"</b>   | 1/8"-1/2"     | <b>1/4X3/4</b>   |
| 9/16"     | <b>1/4"x1"</b>     | 1/4"-5/8"     | <b>1/4X1</b>     |
| 9/16"     | <b>1/4"x1 1/2"</b> | 5/16"-1 1/8"  | <b>1/4X1-1/2</b> |
| 9/16"     | <b>1/4"x2"</b>     | 3/4"-1 5/8"   | <b>1/4X2</b>     |
| 9/16"     | <b>1/4"x3"</b>     | 1 3/4"-2 1/2" | <b>1/4X3</b>     |

### Nylon Drive Rivets - Truss Head (Uni-Tap)

| Head Dia. | Size           | Range      | Part No.       |
|-----------|----------------|------------|----------------|
| 5/8"      | <b>1/4"x1"</b> | 3/16"-1/2" | <b>1010112</b> |



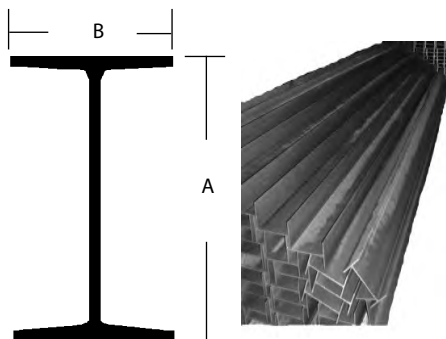


## CROSSMEMBERS

### Steel Crossmembers

80,000# PSI

| Part No. | "A" | "B"   | Length | Lb/Ft |
|----------|-----|-------|--------|-------|
| 1157033  | 3"  | 2.25" | 102"   | 2.9   |
| 1157031  | 4"  | 2.25" | 102"   | 3.2   |
| 1157039  | 6"  | 2.00" | 102"   | 3.7   |



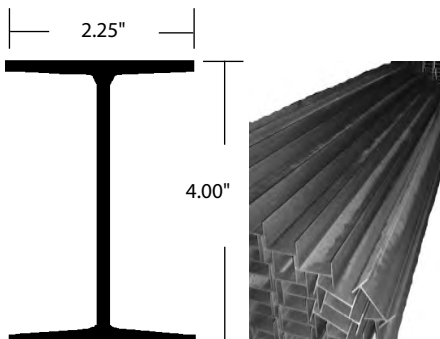
### Heavy Duty

#### 4" Steel Crossmember

Intermodal Specifications

80,000# PSI

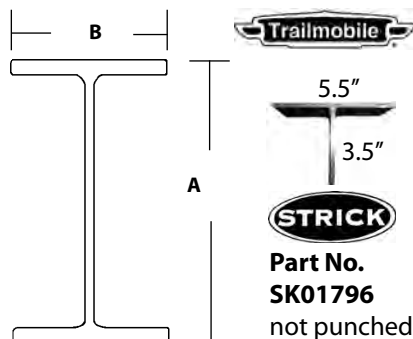
| Part No. | Length | Lb/Ft |
|----------|--------|-------|
| 1157034  | 102"   | 3.45  |



### Aluminum Crossmembers (6161T6)

80,000# PSI, 3.2 lbs per foot.

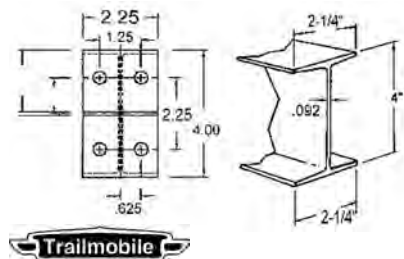
| Part No.        | A    | B    | Length |
|-----------------|------|------|--------|
| 1157030         | 4"   | 3.5" | 102"   |
| 90-4-2028-0-102 | 5"   | 2.5" | 102"   |
| SK01796         | 3.5" | 5.5" | 102"   |



#### 4" Steel Crossmember with drilled clips. Trailmobile.

80,000# PSI, 101-5/8" length.

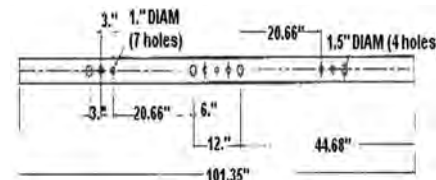
Part No. 6001-A3-101B



#### 4" Steel Crossmember, punched.

Interchanges Great Dane14089  
101.35" length. Oiled.

Part No. GD-CM01



### Hyundai Crossmembers

Part Numbers(Steel unless noted)

**HY10014546** (102-01247 Tube)

**HY10031775** (201-020984 Tube)

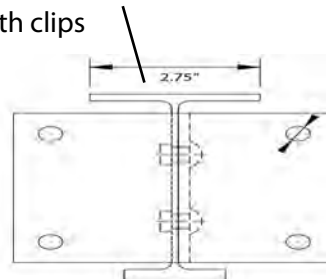
101.5" with clips. Black Undercoat. Aluminum.

**HY20021111** (201-02008 Tube)

**HY20029914** (201-02038 Tube)

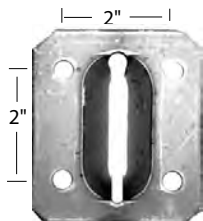
**HY20065496** (201-02087 Tube)

with clips

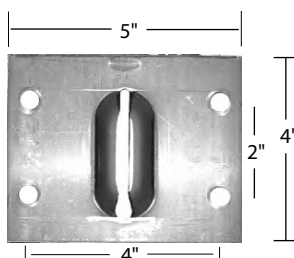


### Crossmember Clips

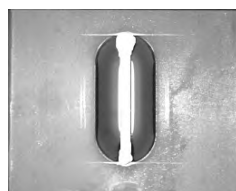
Part No. 1157016  
Overall Sizes  
3 1/8" High,  
3 1/2" Wide



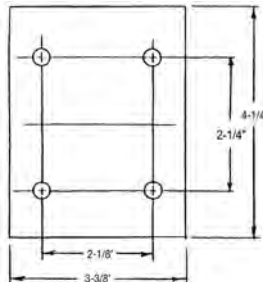
Part No. 1157024  
Size  
4-Hole,  
4" high x  
5" wide  
2x4  
Centers  
with slot



Part No. 1157023  
Size  
4" tall x "5 wide  
No holes  
with slot



Part No. 1-15-1632  
Size  
4-Hole,  
4" x 5"  
2"x4"  
Centers  
with slot



### Crossmember Bolt Kit

Contains fasteners for one trailer crossmember installation; 8 heat treated splined step bolts, 8 nylon treated splined step bolts, 8 nylon washers, and 8 flanged lock nuts. (3/8"-16X1-1/4")





TRUCK AND TRAILER BODY PARTS

**Nose Rails**

**Corner Caps**

**Radius Panels**

**Nose Posts**

**Top Rails**

**Bottom Rails**

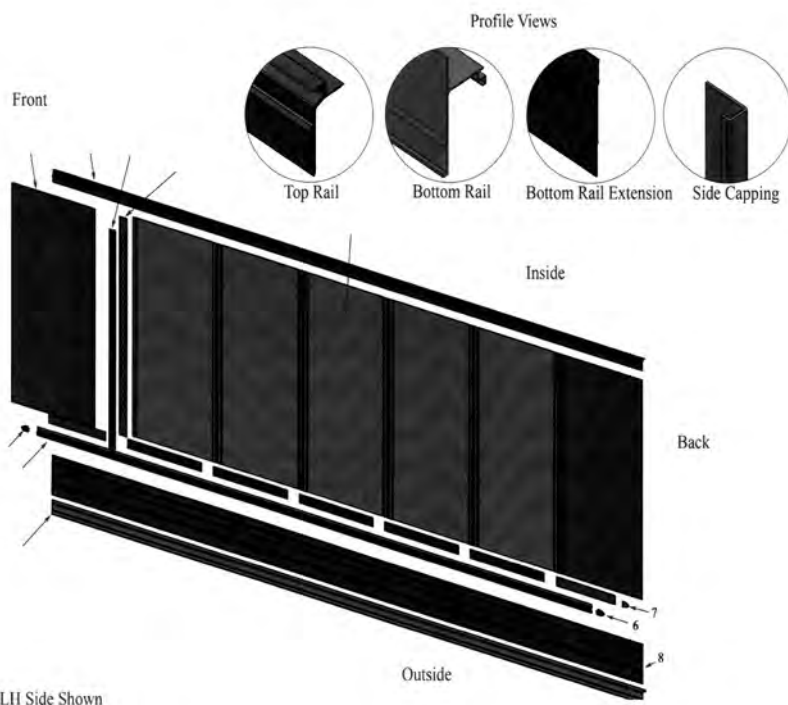
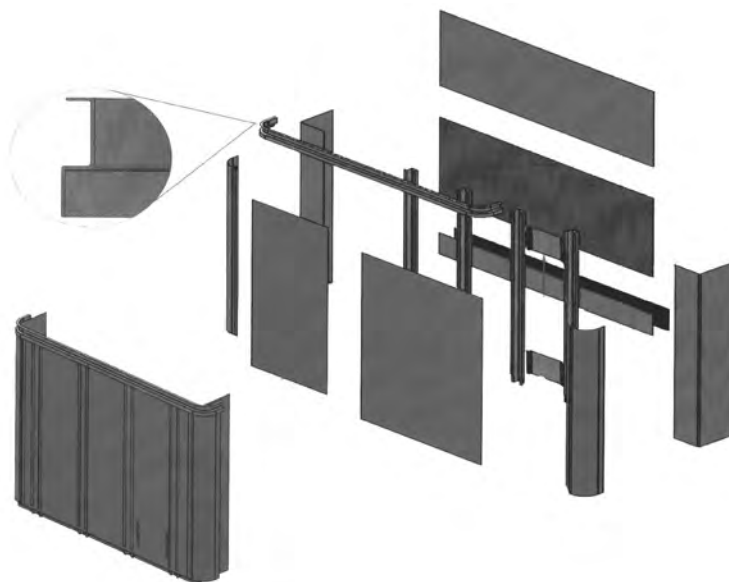
**Side Posts**

**Roof Bows**

**Side Panels**

**Misc.**

**ICC Bumpers**



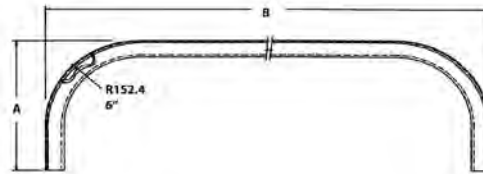


**TOP FRONT NOSE RAILS - HYUNDAI**

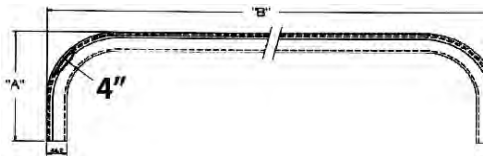
**Hyundai Nose Rail (Rail Front Nose)**  
**Part No. HY10003146, 6" radius.**  
**A = 10.125", B= 102-.125"**



**Hyundai Nose Rail (Rail Front Nose)**  
**Part No. HY10005195, 6" radius.**  
**A = 10.25", B= 102.25"**



**Hyundai Nose Rail (Rail Front Nose)**  
**Part No. HY10007412, 4" radius.**  
**A = 10.125", B= 102.38"**



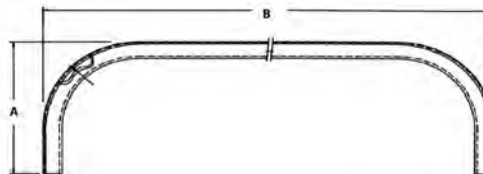
**Hyundai Nose Rail (Rail Front Nose)**  
**Part No. HY10008943, 6" radius.**  
**A = 10.25", B= 102.25"**



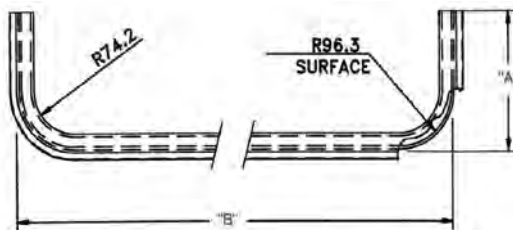
**Hyundai Nose Rail (Rail Front Nose)**  
**Part No. HY10009386, 5" radius.**  
**A = 9.38", B= 102.50"**



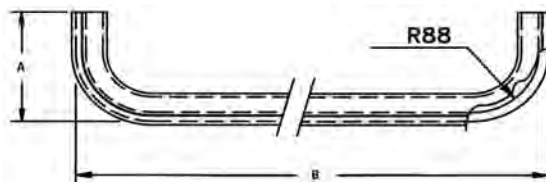
**Hyundai Nose Rail (Rail Front Nose)**  
**Part No. HY10016265, 4" radius.**  
**A = 10.125", B= 102.38"**



**Hyundai Nose Rail (Rail Front Nose)**  
**Part No. HY10021329, 6" radius.**  
**A = 9.38", B= 101.50"**



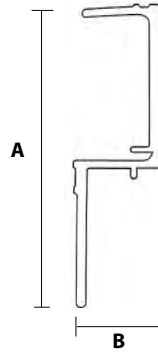
**Hyundai Nose Rail (Rail Front Nose)**  
**Part No. HY10028466, 4" radius.**  
**A = 6.31", B= 102.31"**



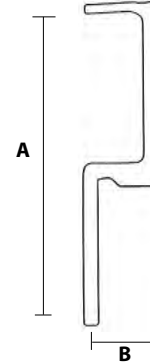


**NOSE RAILS - STRICK**

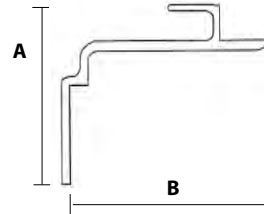
**STRICK Nose Rail**  
Part No. SK01715, 7" radius.  
One pc wrap around style. 98-1/2"  
A = 5.56", B= 1.28"



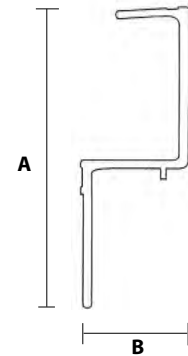
**STRICK Nose Rail**  
Part No. SK47284  
Straight Section for 3 piece style. 85.687"  
A = 5.625", B= 1.058"



**STRICK Nose Rail**  
Part No. SK47428  
Straight Section for 3 piece style. 85.687"  
A = 5", B= 6"

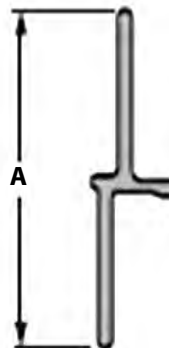


**STRICK Nose Rail**  
Part No. SK52017  
Straight Section for 3 piece style. 91.875"  
A = 5.56", B= 1.656"



**NOSE RAIL - MORGAN BODY**

**Morgan Body Nose Rail**  
Part No. MP-14142  
Top Front Connector. 87", GVSD Model  
A = 2.36"

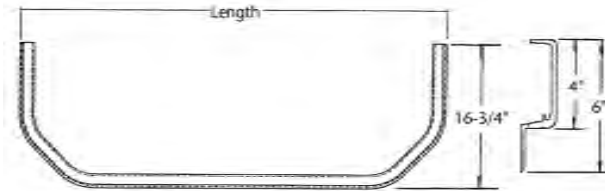






**NOSE RAILS - TRAILMOBILE**

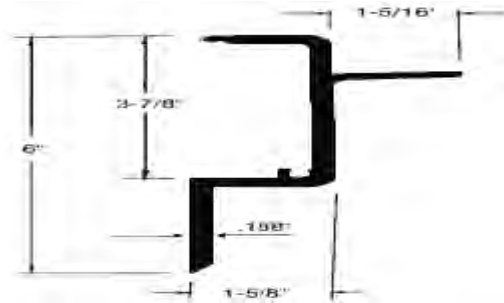
**Trailmobile Model O Bevel Radius Nose Rail**  
**Part No. 511-1-109-2, Length 96"**  
**Part No. 511-1-109-2-2 Length 102.38"**



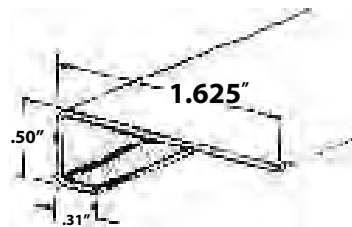
**Trailmobile Model O 6" Radius**  
**Part No. 511-1-130A, Length 96"**  
**Part No. 511-1-130B, Length 102.38"**



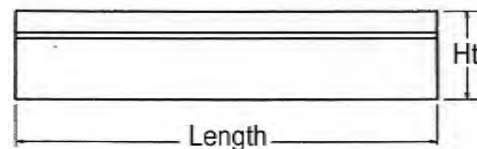
**Trailmobile Nose Rail Section (Aluminum)**  
**Part No. 7511-1-125B, Length 93.38"**



**Trailmobile Nose Rail Reinforcement J molding (Aluminum)**  
**Part No. 90-4-1563-0-126**



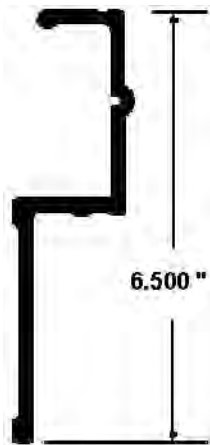
**Trailmobile Bottom Corner Nose Rail Section (Front Bottom Rail) (Aluminum)**  
**Part No. 90-4-2353-0-88, Height 8" & Length 88"**





**NOSE RAIL - DORSEY**

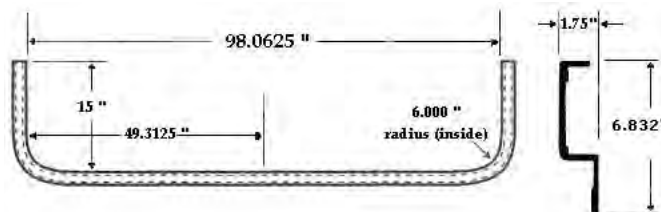
**Dorsey Nose Rail**  
(Replaces 251128702)  
6" radius.  
Part No. DO-NR01



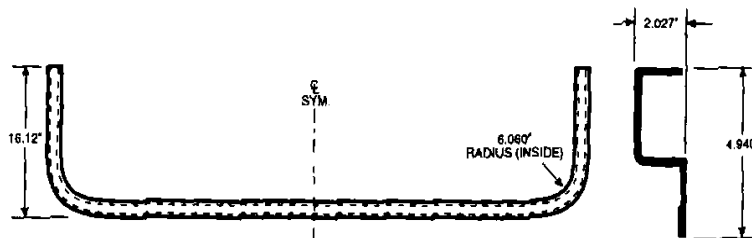
**Dorsey Nose Rail**  
(Replaces 251122102)  
10" radius.  
Part No. DO-NR02

**NOSE RAILS - GREAT DANE STYLE / UTILITY STYLE / WABASH STYLE**

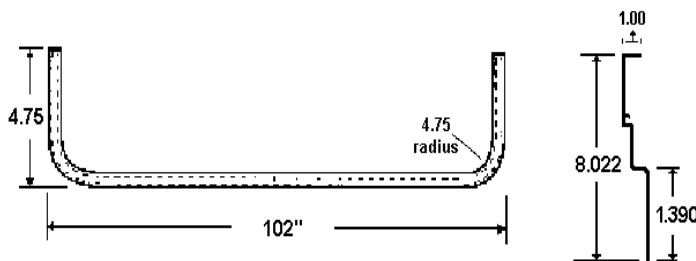
**Great Dane Style Nose Rail**  
(Replaces 69103212)  
P Series. 102.38" , 6" radius.  
Part No. GD-NR03



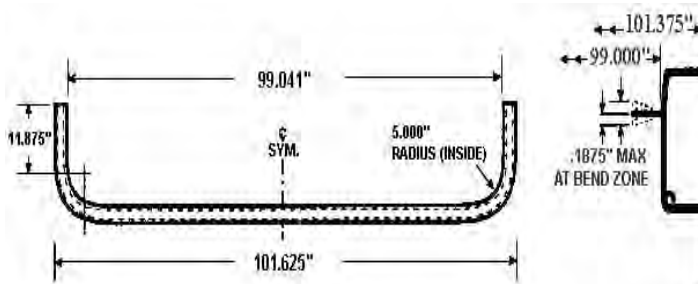
**Great Dane Style Nose Rail**  
(Replaces 41203163)  
102.38" x 16.12" . 6" radius.  
Part No. GD-NR05



**Utility Style Nose Rail**  
(Replaces 3-6650-310)  
102" x 4.75" , 5" radius.  
Part No. UT-NR02



**Wabash Style Nose Rail**  
(Replaces WAB04A00211)  
101.625" x 11.875" , 5" radius.  
Part No. WA-NR01



**CORNER CAPS - HYUNDAI****Hyundai Corner Cap (Casting Corner)****117-04002****Part No. HY10012220, 6" radius. RH****Hyundai Corner Cap (Casting Corner)****117-04003****Part No. HY10013257, LH (Shown)****Part No. HY10013258, RH****Hyundai Corner Cap (Casting Corner)****117-04006C****Part No. HY10015378****Hyundai Corner Cap (Casting Corner)****117-04007****Part No. HY10015416**



**CORNER CAPS - STRICK**

**Strick Corner Cap**  
**Part No. SK01792 - Universal , 7" radius.**



SK01792 side view



SK01792 top view

**Strick Corner Cap**  
**Part No. SK03500 - Universal , 7" radius.**



SK03500 side view



SK03500 top view

**Strick Corner Cap**  
**Part No. SK13256 - Roadside, 9" radius.**  
**Part No. SK13257 - Curbside , 9" radius.**



SK13256 side view



SK13256 top view

**Strick Corner Cap**  
**Part No. SK14393 - Roadside.**  
**Part No. SK14394 - Curbside.**



SK14393 side view



SK14393 top view



**Strick Corner Cap**  
**Part No. SK45290 - Universal , 7" radius.**



SK45290 side view



SK45290 top view

**Strick Corner Cap**  
**Part No. SK54280 - Universal , 4" radius.**



SK54280 side view



SK54280 top view

**Strick Corner Cap**  
**Part No. SK54960 - Universal , 4" radius.**



SK54960 side view



SK54960 top view

**Strick Corner Cap**  
**Part No. SK55724 - Universal.**



SK55724 side view



SK55724 top view

**Strick Corner Cap Protectors:**  
**Part No. SK01793 and SK57620**



SK01793 side view

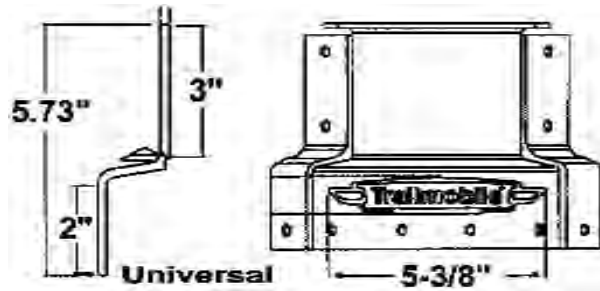


SK01793 top view

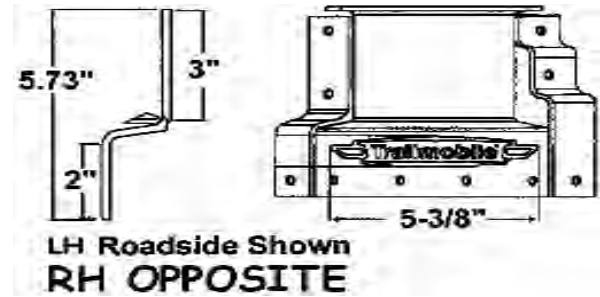


**CORNER CAPS - TRAILMOBILE**

**Trailmobile Corner Cap, Universal.  
Part No. 7511-A1-05**



**Trailmobile Corner Cap, Ultra Plate.  
Early Model.  
Part No. 7511-A1-06L  
Part No. 7511-A1-06R**



**Trailmobile Corner Cap, Universal,  
Ultra Plate.  
Part No. 7511-A1-08**





**CORNER CAPS - MORGAN BODY**

**Morgan Body Corner Cap, Poly Tuff.**

**Part No. MP-62660 (Curbside)**

**Part No. MP-62661 (Roadside)**

KIT Includes: Corner cap, Instructions, OSI® Quad® sealant, foam tape, monobolts, grommet, recess wire cover and a 6" strip of butyl tape.



**Morgan Body Corner Cap, Poly Tuff.**

**Part No. MP-62664 (Curbside)**

**Part No. MP-62665 (Roadside)**

KIT Includes: Corner cap, Instructions, OSI® Quad® sealant, foam tape, monobolts, grommet, recess wire cover.



**CORNER CAP - SUPREME**

**Supreme Corner Cap.**

**Part No. SU-001014 (Roadside)** —————

**Part No. SU-001015 (Curbside)**




**CORNER CAPS - LUFKIN / MONON / PINES / STOUGHTON / WABASH**

**Lufkin Style Corner Cap, Universal, 10" radius.  
Part No. LU-CC01**



**Monon Style Corner Cap, (V02-197R) Roadside.  
Part No. 1310356**



**Monon Style Corner Cap, (V02-197L) Curbside.  
Part No. 1310357**



**Pines Style Corner Cap, Universal (CC11100).  
Part No. 1310364**



**Stoughton Style Corner Cap, Universal, (AV/FV/EV)  
Part No. 1310365**



**Wabash Style Corner Cap, (04300002) Universal.  
Part No. 1310363**

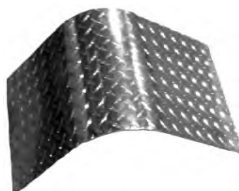




**FRONT PROTECTORS - HYUNDAI**

**FRONT PROTECTORS  
- Diamond Plated**

Front Protector. 117-15056  
26.5" x 11.875". No joggles.  
**Part No. HY20017840**



Front Protector. 117-15174  
26.5" x 11.75" Joggles each end 2".  
**Part No. HY20025722**



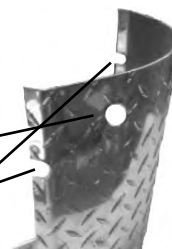
Front Protector. 117-15429  
27.75" x 12". Joggles each end 2".  
**Part No. HY20067813**



Front Protector. 117-04357  
**Part No. HY20068679**  
16.375" x 12". Left Hand  
**Part No. HY20068680**  
16.375" x 12". Right Hand



1" joggles each end.  
Joggles 5.75" tall.  
Hole on one end.  
Notches on each end,  
2.5" from top, each end.



Front Protector. 117-04358  
16.375" x 12" Joggles each end 1".  
**Part No. HY20071414**







**RADIUS PANELS - HYUNDAI (FRT PNL END)**

**117-05427 SERIES:**

**Hyundai Radius Panel**

4" radius, stainless. 102.1875"

**Part No. HY20054038**

**Hyundai Radius Panel**

9" radius, FedEx Grey. 102.95"

**Part No. HY20065834**

**Hyundai Radius Panel**

4" radius, stainless. 90"

**Part No. HY20071586**

**Hyundai Radius Panel**

4" radius, white. 109"

**Part No. HY20084076**

**Hyundai Radius Panel**

10" radius, 107.875"

**Part No. HY20026492**

**Hyundai Radius Panel - White**

102.38" length, 7" radius

**Part No. HY20031851**

**Hyundai Radius Panel - White**

101.5" length, 6" radius

**Part No. HY20032237**

**Hyundai Radius Panel - Stainless**

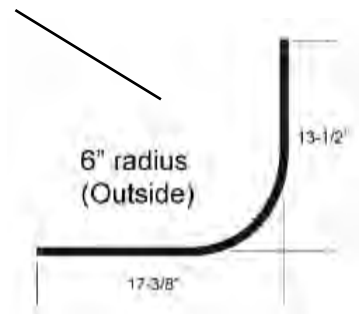
102.5" length, 4" radius

**Part No. HY20088231S**

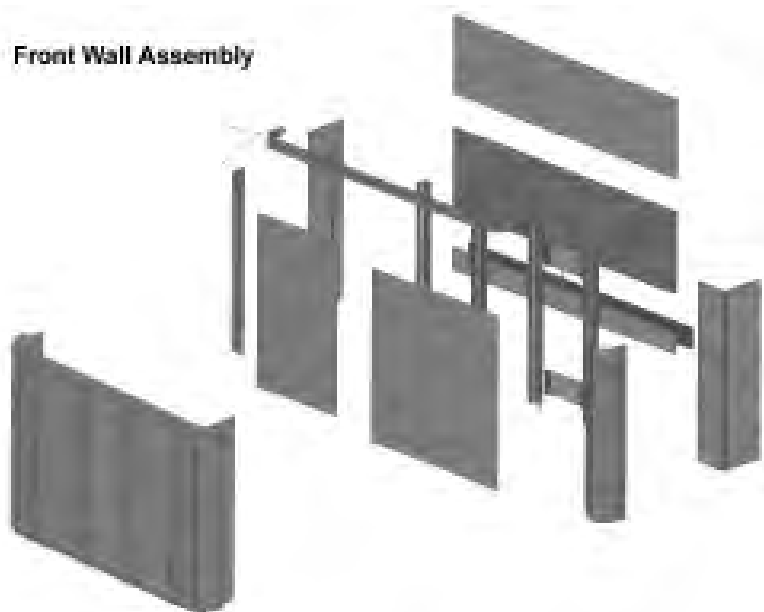
**Hyundai Radius Panel - White**

109.625" length, 6" radius

**Part No. HY20084150**



Front Wall Assembly





## INNER RADIUS & LINER PANELS - HYUNDAI

### Hyundai Inner Radius Panels - Beveled Front Lining Support

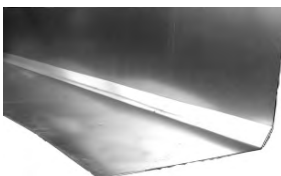
#### Hyundai Inner Radius Panel

Galvanized. 112.75" length.  
Beveled. 14" x 2" center x 11.5"  
**Part No. HY20007559**



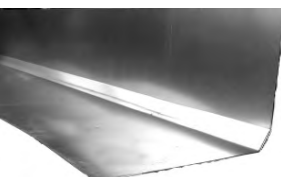
#### Hyundai Inner Radius Panel

Galvanized. 108" length.  
Beveled. 13.75" x 2" center x 9.38"  
1" joggle on short end.  
**Part No. HY20010726**



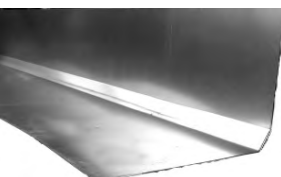
#### Hyundai Inner Radius Panel

White. Left hand. 102.75" length.  
Beveled. 13.5" x 2" center x 11"  
**Part No. HY20011835**  
White. Right hand. 102.75"  
Beveled. 13.5" x 2" center x 11"  
**Part No. HY20012031**



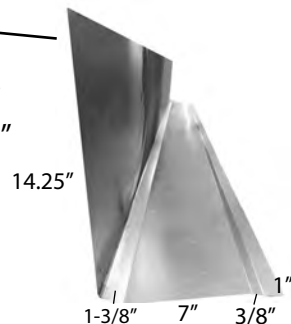
#### Hyundai Inner Radius Panel

Galvanized. 106.38" length.  
Beveled. 14" x 2" center x 9.38"  
**Part No. HY20019906**



#### Hyundai Inner Radius Panel

Galvanized. 108" length.  
BEVELED. 14.25" x 1.38" center x 7"  
Joggle - 3/8" to 1" on one end. 108"  
**Part No. HY20029909**



#### Hyundai Inner Radius Panel

Galvanized. 108" length  
Beveled. 14" x 2" center x 7.25"  
Joggle - 3/4" to 1" on one end.  
**Part No. HY20030496**



#### Hyundai Inner Radius Panel

Galvanized. 95" length.  
11.5" x 2" center x 10.25"  
1" joggle on short end.  
**Part No. HY20071590**

### Hyundai Inner Radius Panels - 90° Front Lining Support

#### Hyundai Inner Radius Panel

Galvanized. 106.875" length.  
17.75" x 13.75"  
**Part No. HY20004933**

#### Hyundai Inner Radius Panel

Galvanized. 107.875" length.  
15.25" x 10.00"  
1.25" joggle on short end, to 3/4".  
**Part No. HY20033941**



#### Hyundai Liner Panels

PVC. 107" - 14.33" wide  
E15-054  
**Part No. HY10015710**

#### Part No. HY10030205

PVC. 114.56" - 6.5" wide  
**Part No. HY10030206**  
PVC. 114.56" - 10.5" wide

#### Part No. HY10032554

PVC. 114.06" - 10.5" wide  
**Part No. HY10032555**  
PVC. 114.06" - 6.5" wide

PVC. 98.625" - 16" wide

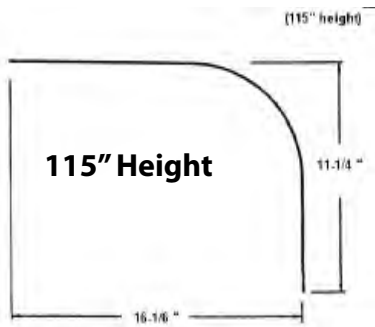
**Part No. HYE15-036-098A**



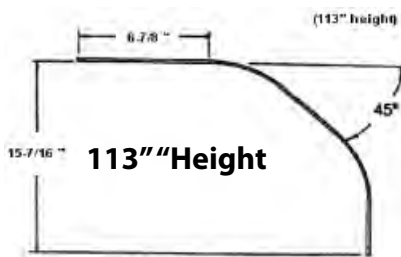


**RADIUS PANELS - TRAILMOBILE**

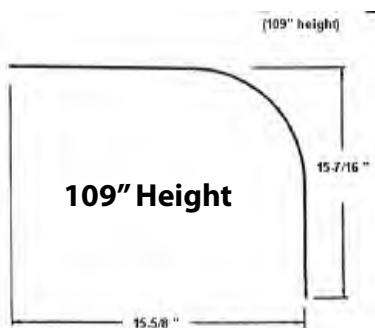
**Trailmobile Radius Panel.**  
**Part No. RP-102K-PPW**



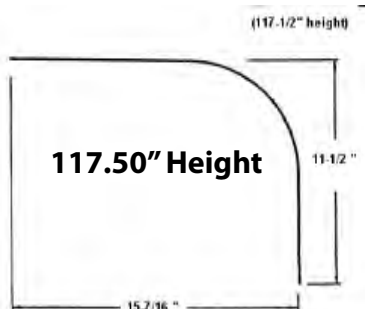
**Trailmobile Radius Panel.**  
**Part No. RP-881K-PPW**



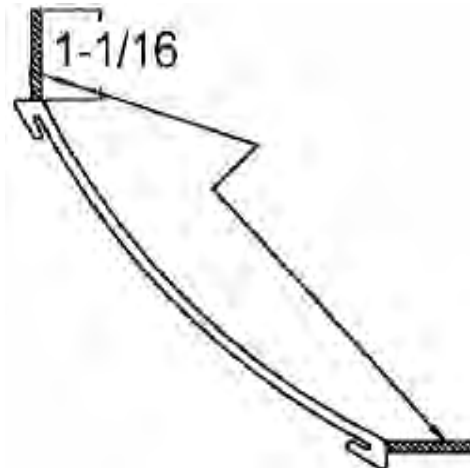
**Trailmobile Radius Panel.**  
**Part No. RP-883K-PPW**



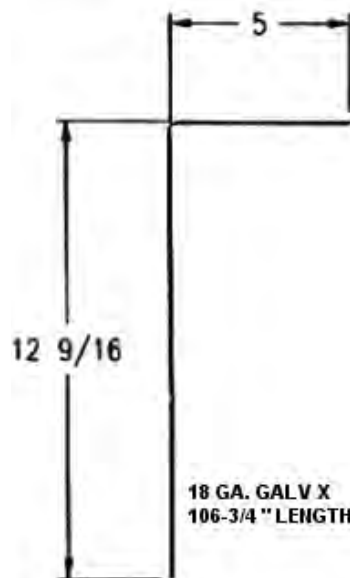
**Trailmobile Radius Panel.**  
**Part No. RP-958K-PPW**



**Trailmobile Radius Panel.**  
**116-1/8" Height**  
**Part No. RP-115K-PPW**



**Trailmobile Inner Radius Panel.**  
**6" radius, 106-3/4" height.**  
**18 gauge galvanized steel.**  
**Part No. 9519-1-909**





## RADIUS PANELS - STRICK

### Strick Radius Panel.

**Inner radius, 24 gauge steel.**

**Part No. SK06782**

Universal, galvanized steel.

A: 105" B: 9.98" C: 16.05"

### Strick Radius Panel.

**Inner radius, 24 gauge steel.**

Universal, galvanized steel.

**Part No. SK44094**

A: 105" B: 11.28" C: 14.75"

### Strick Radius Panel.

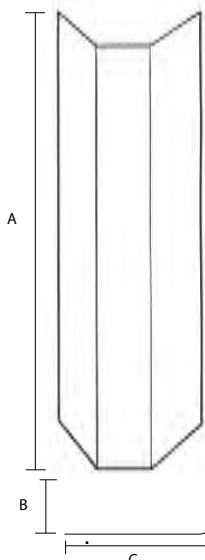
**Inner radius.**

Universal, galvanized steel.

**Part No. SK49057**

A: 105" B: 8.75" C: 15.64"

**Part No. SK57498** Inner Angle protector, steel, 105"



### Strick Radius Panel.

**Outer radius, 7", white, aluminum.**

**Part No. SK21887**

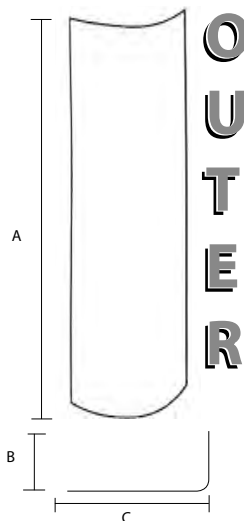
A: 101.5" B: 13.31" C: 15"

### Strick Radius Panel.

**Outer radius, 7", white, aluminum.**

**Part No. SK47158**

A: 106.5" B: 13.5" C: 10.96"



### Strick Radius Panel.

**Outer radius, 7", white, aluminum.**

**Part No. SK52535**

A: 114.5" B: 13.56" C: 8.12"

### Strick Radius Panel.

**Outer radius, 4", white, aluminum.**

**Part No. SK55567**

A: 105.5" B: 10.97" C: 9.42"

### Strick Radius Panel.

**Outer radius, 7", white, aluminum.**

**Part No. SK56274**

A: 102.5" 4" radius

**L  
I  
N  
E  
R**

**Part No. SK57160**

HPDE Liner 96" long, 18.3" wide.

**Part No. SK59773**

HPDE Liner 98" long, .75 x 22" wide.

**Part No. SK62150** (Intermediate)

HPDE Liner 98" long, .63 x 18.13" wide.

**Part No. SK62151** (First Panel)

HPDE Liner 98" long, .63 x 10.13" wide.

**Part No. SK45302**

Plastic Liner, white, .45" x 10" x 100"



HPDE LINER



### Strick Radius Panel.

**Outer radius, 4", white, aluminum.**

**Part No. SK58964**

Round holes on 2" centers.

A: 106.5" B: 5.688" C: 5.688"

### Strick Radius Panel.

**Outer radius, 4", white, aluminum.**

**Part No. SK68971**

Round holes on 2" centers.

A: 108.5" B: 5.688" C: 5.688"



**RADIUS PANELS - MORGAN BODY**

**Morgan Radius Panel.**  
Mill Finish Aluminum. 88"  
**Part No. MP-0065363**



**Morgan Radius Panel.**  
Stainless Steel. 104.3"  
**Part No. MP-01424**

**Morgan Radius Panel.**  
Mill Finish Aluminum. 92.3"  
**Part No. MP-00659**

**Morgan Radius Panel.**  
Mill Finish Aluminum. 80.88"  
**Part No. MP-13500**

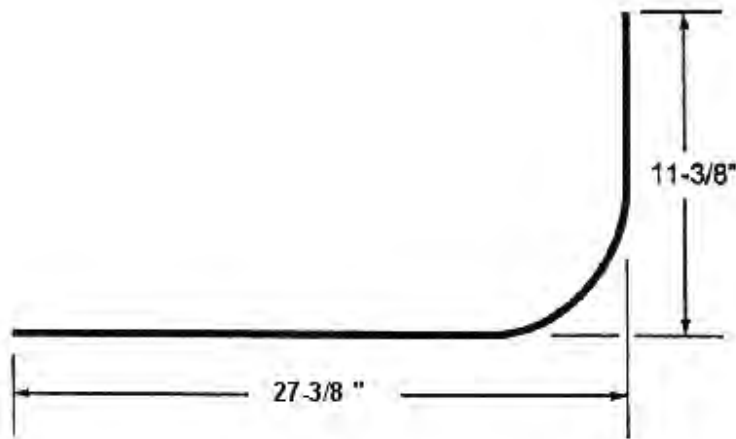
**Morgan Radius Panel.**  
Mill Finish Aluminum. 104.3"  
**Part No. MP-00660**

**Morgan Radius Panel.**  
Mill Finish Aluminum. 86.88"  
**Part No. MP-13502**



**RADIUS PANELS - DORSEY**

**Dorsey Radius Panel.**  
Aluminum. White.  
6" Radius. 104" Tall  
**Part No. DO-RP07**



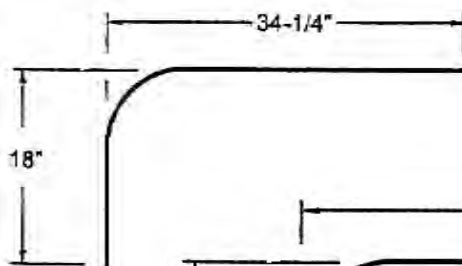


**RADIUS PANELS - FRUEHAUF / GREAT DANE / STOUGHTON / UTILITY / WABASH**

**Great Dane Style Radius Panel.**

Aluminum. White. 6" radius.

**Part No. GD-RP01**

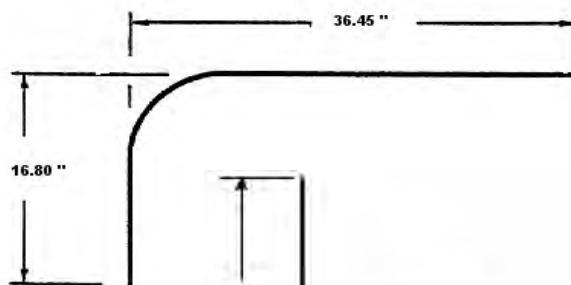


**Great Dane Style Radius Panel.**

Aluminum. White. 10" radius.

Interchange Information: 08670

**Part No. GD-RP02**

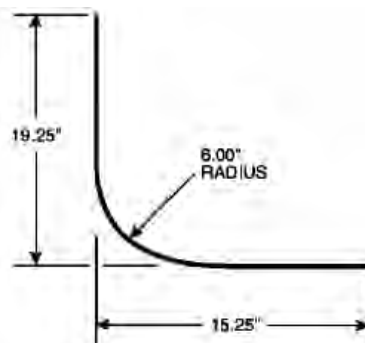


**Great Dane Style Radius Panel.**

Aluminum. White. 6" radius.

Interchange Information: 69102520001

**Part No. GD-RP03**

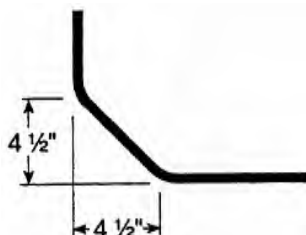


**Stoughton Style Radius Panel.**

Aluminum. White. Bevel.

Interchange Information: 01-12994

**Part No. SO-RP02**

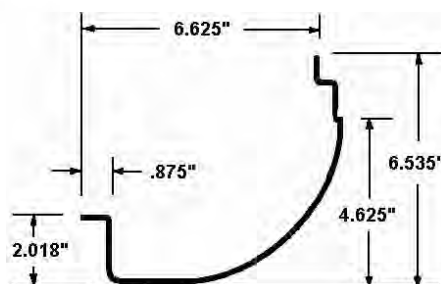


**Utility Style Radius Panel.**

Aluminum. White.

Interchange Information: 1-6500-160

**Part No. UT-RP03-PPW**

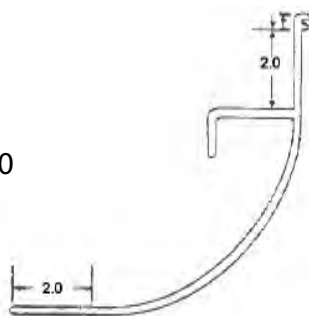


**Wabash Style Radius Panel.**

Aluminum. White. 5" radius.

Interchange Information: E0081200

**Part No. WA-RP02**

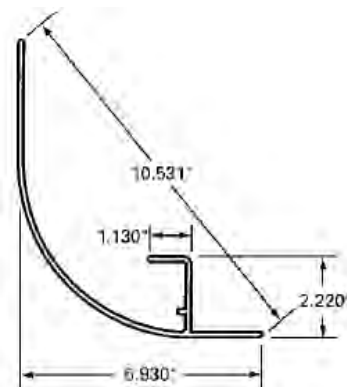


**Wabash Style Radius Panel.**

Mill Finish Aluminum.

Interchange Information: E8351200

**Part No. WA-RP03-MFA**

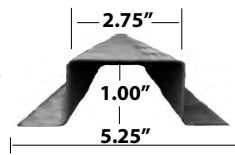




**NOSE POSTS - HYUNDAI**

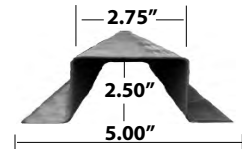
**Hyundai Nose Post**

4.13" to joggle one side.  
1/2" diameter hole on one side  
1/2" from end. 103.48" length.  
**Part No. HY20011744**



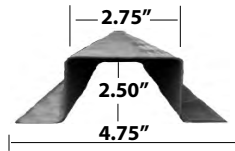
**Hyundai Nose Post**

5.63 "joggles on one end.  
106.50" length.  
**Part No. HY20054531**



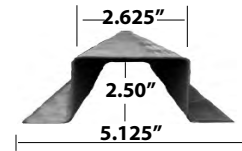
**Hyundai Nose Post**

6" joggles on one end.  
112.50" length.  
**Part No. HY20026494**



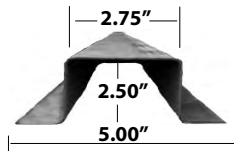
**Hyundai Nose Post**

4.13" joggles on both ends  
107.68" length.  
**Part No. HY20057522**



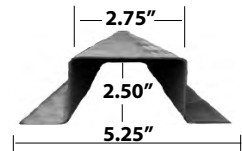
**Hyundai Nose Post**

4.13" joggles on one end.  
106.50" length.  
**Part No. HY20034023**



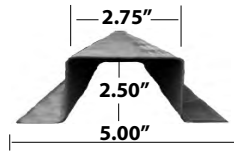
**Hyundai Front Post**

4" joggles on both ends  
106.614" length.  
**Part No. HY20064923**



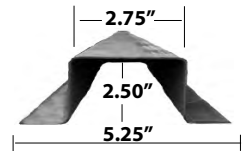
**Hyundai Nose Post**

3.75" joggles on each end.  
105.50" length.  
**Part No. HY20045500**



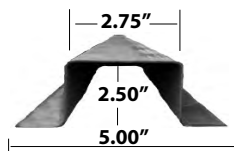
**Hyundai Nose Post**

4.13" joggles on both ends.  
112.75" length.  
**Part No. HY20066971**



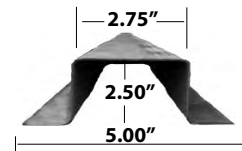
**Hyundai Nose Post**

4.875" joggles on each end.  
115.94" length.  
**Part No. HY20051352**



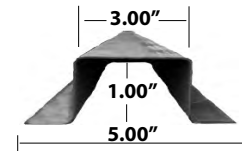
**Hyundai Nose Post**

4.13" joggles on one end.  
107" length.  
**Part No. HY20076832**



**Hyundai Front Post**

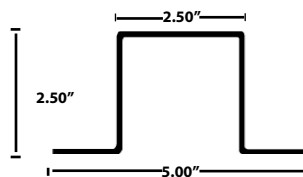
107.125" length.  
**Part No. HYE05-132-1072**



**NOSE POSTS - GREAT DANE / STRICK / TRAILMOBILE**

**Great Dane Style Nose Post.**

2.5" hat, 110" long.  
**Part No. 1010174**



**Strick Nose Post.**

A: 2.687" B: 5.25" C: 3.25"  
Length: 108.25" Depth: 3.25"  
Steel.

**Part No. SK58425**

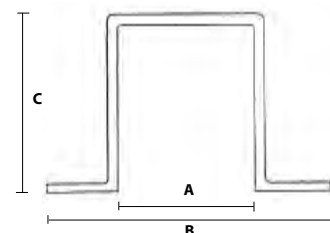
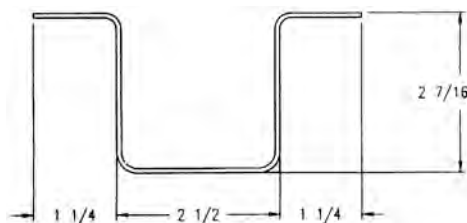
**Trailmobile Nose Post.**

2.5" hat, 117" long.  
14 gauge galvanized steel.  
**Part No. 90-4-2400P-0-117**



**Strick Nose Post.**

Swedge - Steel.  
Length: 107.25" Depth: 1.31"  
**Part No. SK63574**



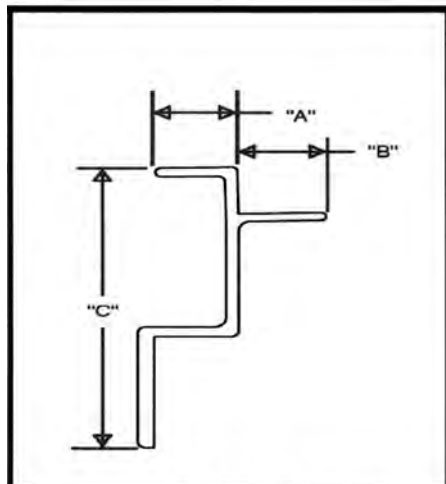


**TOP SIDE RAILS - HYUNDAI**

**Hyundai Top Rail.**

51'6.687" (Van)

**Part No. HYE01-007-6260**

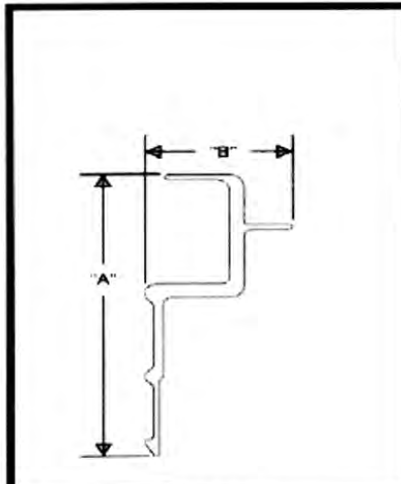


| E01-007 |     |        |
|---------|-----|--------|
| DIM     | MM  | Inch   |
| "A"     | 32  | 1 1/4  |
| "B"     | 34  | 1 5/16 |
| "C"     | 152 | 6      |
| "D"     |     |        |

**Hyundai Top Rail.**

38'9-1/8" (Container)

**Part No. HYE01-009-4652**

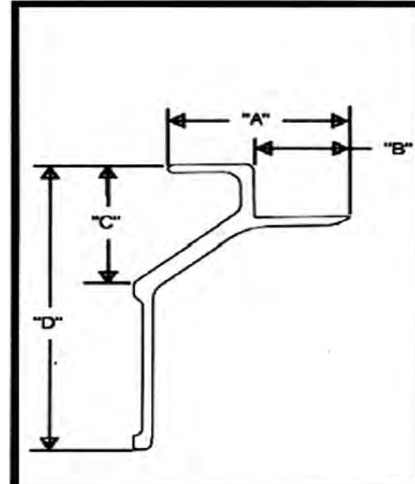


| E01-009 |      |        |
|---------|------|--------|
| DIM     | MM   | Inch   |
| "A"     | 146  | 5 3/4  |
| "B"     | 61.3 | 2 7/16 |
| "C"     |      |        |
| "D"     |      |        |

**Hyundai Top Rail.**

51'10-13/16" (Van)

**Part No. HYE01-015-6260**

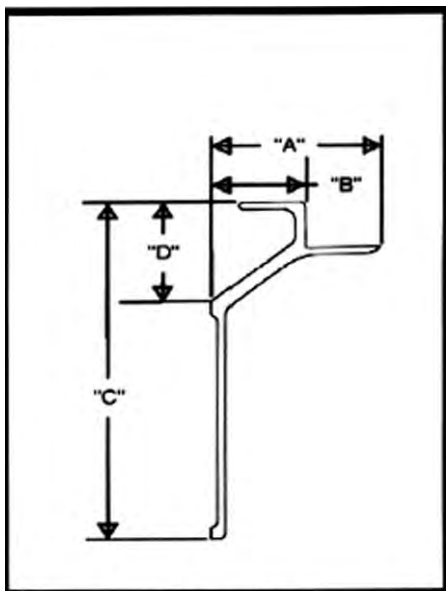


| E01-015 |      |        |
|---------|------|--------|
| DIM     | MM   | Inch   |
| "A"     | 80.2 | 3 3/16 |
| "B"     | 35.3 | 1 3/8  |
| "C"     | 55.7 | 2 3/16 |
| "D"     | 135  | 5 5/16 |

**Hyundai Top Rail.**

51'6-11/16" (Van)

**Part No. HYE01-029-618B**

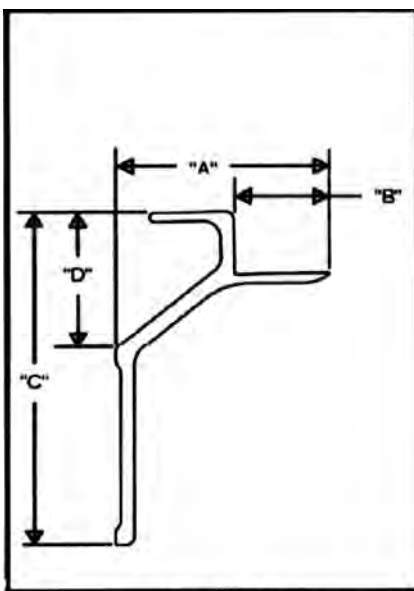


| E01-029 |       |        |
|---------|-------|--------|
| DIM     | MM    | Inch   |
| "A"     | 80.2  | 3 3/16 |
| "B"     | 44.9  | 1 3/4  |
| "C"     | 185.8 | 7 5/16 |
| "D"     | 55.7  | 2 3/16 |

**Hyundai Top Rail.**

51'9-1/4" (Van)

**Part No. HYE01-037-6260**

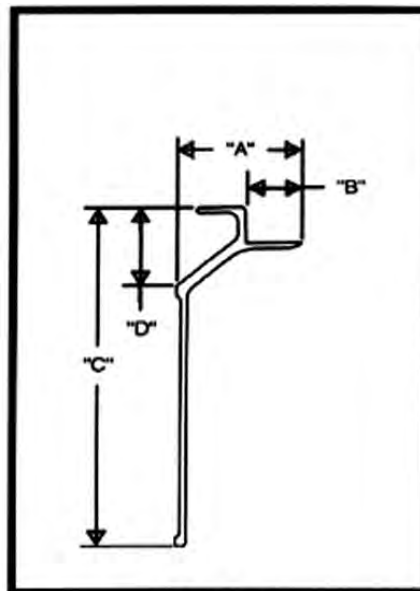


| E01-037 |      |        |
|---------|------|--------|
| DIM     | MM   | Inch   |
| "A"     | 80.2 | 3 3/16 |
| "B"     | 35.3 | 1 3/8  |
| "C"     | 135  | 5 5/16 |
| "D"     | 55.7 | 2 3/16 |

**Hyundai Top Rail.**

51'6-11/16" (Van)

**Part No. HYE01-041-6260**



| E01-041 |       |        |
|---------|-------|--------|
| DIM     | MM    | Inch   |
| "A"     | 80.2  | 3 3/16 |
| "B"     | 35.3  | 1 3/8  |
| "C"     | 236.6 | 9 5/16 |
| "D"     | 55.7  | 2 3/16 |



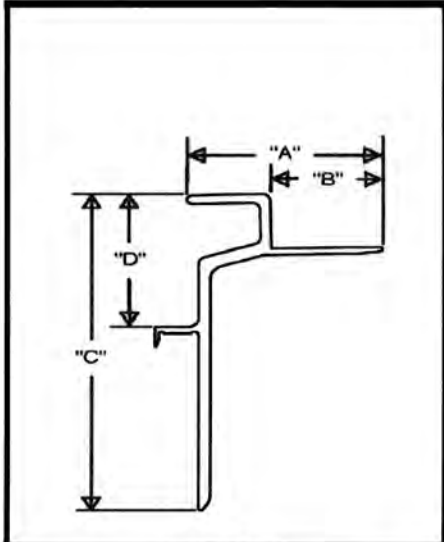


**TOP SIDE RAILS - HYUNDAI**

**Hyundai Top Rail.**

51'9-7/8" (Van)

Part No. HYE01-050-6260

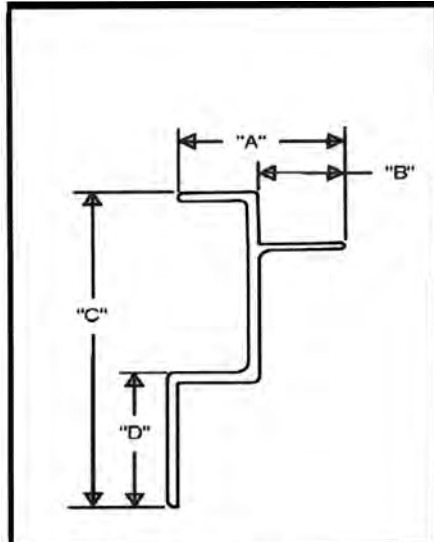


| E01-050 |       |         |
|---------|-------|---------|
| DIM     | MM    | Inch    |
| "A"     | 73.6  | 2 7/8   |
| "B"     | 42    | 1 5/8   |
| "C"     | 147.8 | 5 13/16 |
| "D"     | 61.6  | 2 7/16  |

**Hyundai Top Rail.**

51'6-11/16" (Van)

Part No. HYE01-150-6260

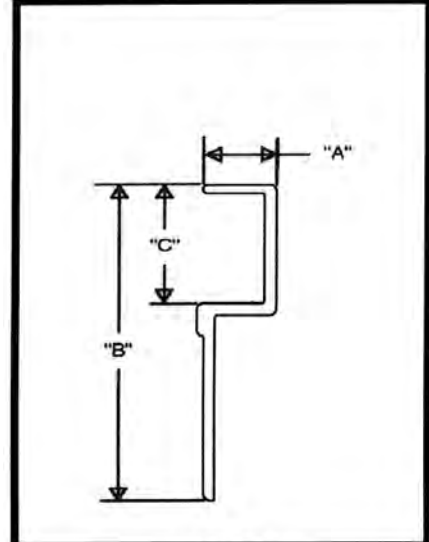


| E01-150 |     |        |
|---------|-----|--------|
| DIM     | MM  | Inch   |
| "A"     | 66  | 2 5/8  |
| "B"     | 34  | 1 5/16 |
| "C"     | 152 | 6      |
| "D"     | 65  | 2 9/16 |

**Hyundai Top Rail.**

51'6-5/8" (Van)

Part No. HYE01-181-618A



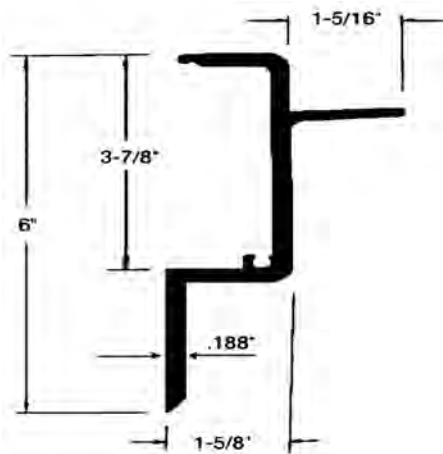
| E01-181 |      |        |
|---------|------|--------|
| DIM     | MM   | Inch   |
| "A"     | 30.4 | 1 3/16 |
| "B"     | 152  | 6      |
| "C"     | 57   | 2 1/4  |
| "D"     |      |        |



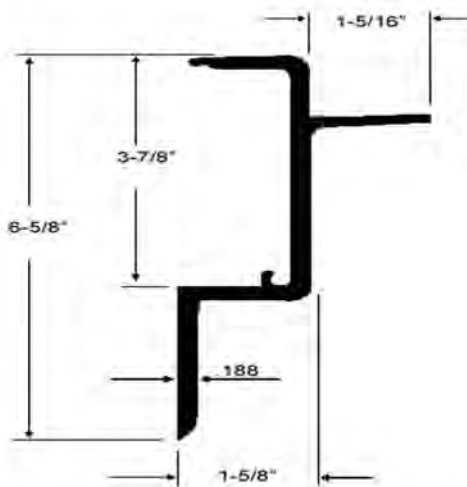


**TOP SIDE RAILS - TRAILMOBILE**

**Trailmobile Top Rail.**  
Model O Interior Post, 240".  
**Part No. 90-4-1399-240**

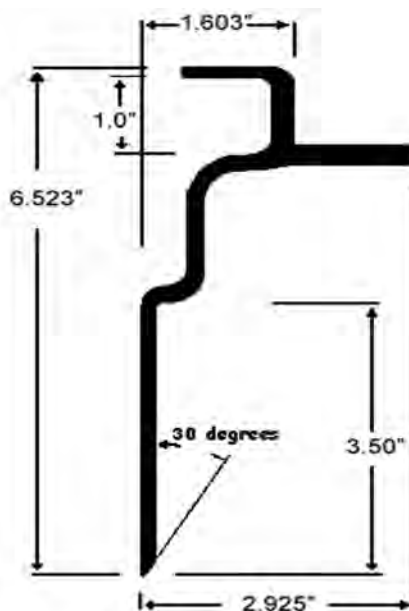


**Trailmobile Top Rail.**  
Model O Interior Post, 625".  
**Part No. 90-4-1399-625**



**Trailmobile Top Rail.**  
Model O Interior Post, 240".  
**Part No. 90-4-2305-240**

**Trailmobile Top Rail.**  
Model O Interior Post, 625".  
**Part No. 90-4-2305-625**



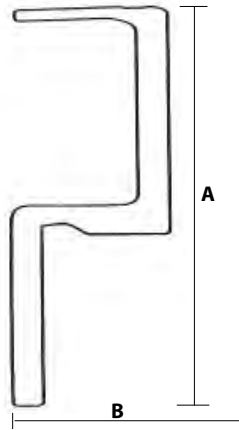
**Trailmobile Top Rail.**  
Ultra-Plate 625".  
**Part No. 90-4-2503-625**



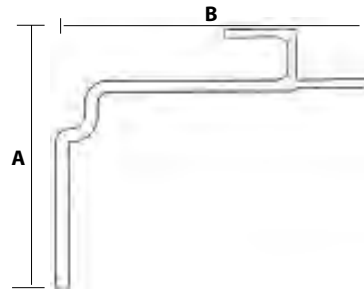


**TOP SIDE RAILS - STRICK**

**Strick Top Rail.**  
EA93C000451T53  
A: 5.56" B: 1.1875"  
51'9.25"  
**Part No. SK03396**



**Strick Top Rail.**  
A: 5" B: 6" 51'9.25"  
**Part No. SK47454**

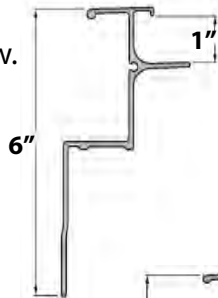


**Strick Top Rail.**  
AA93C012251T5  
A: 5.56" B: 1.656" 51'9.38"  
**Part No. SK06043**

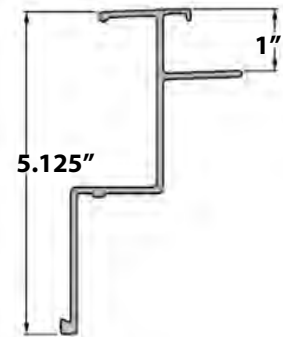


**TOP SIDE RAILS - MORGAN BODY**

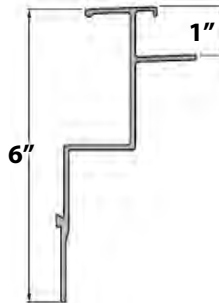
**Morgan Top Rail.**  
GVSD model, for 1" roof bow.  
27' (325")  
**Part No. MP-0001409**



**Morgan Top Rail.**  
GVFD model, for 1" roof bow.  
27' (325")  
**Part No. MP-00033901**

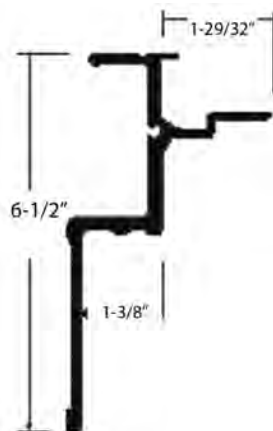


**Morgan Top Rail.**  
GVSD model, for 1" roof bow.  
27' (325")  
**Part No. MP-00015904**

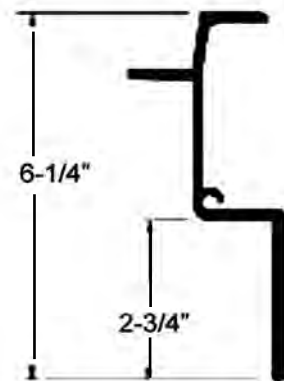


**TOP SIDE RAILS - DORSEY / WABASH STYLE**

**Dorsey Top Rail.**  
2509173 - Van Trailer.  
51.58', 619"  
**Part No. DO-TR01-619**



**Wabash Style Top Rail.**  
Interchange No.  
WABE0016260  
**Part No. WA-TR01-624**





TRUCK AND TRAILER BODY PARTS

Bottom Rails

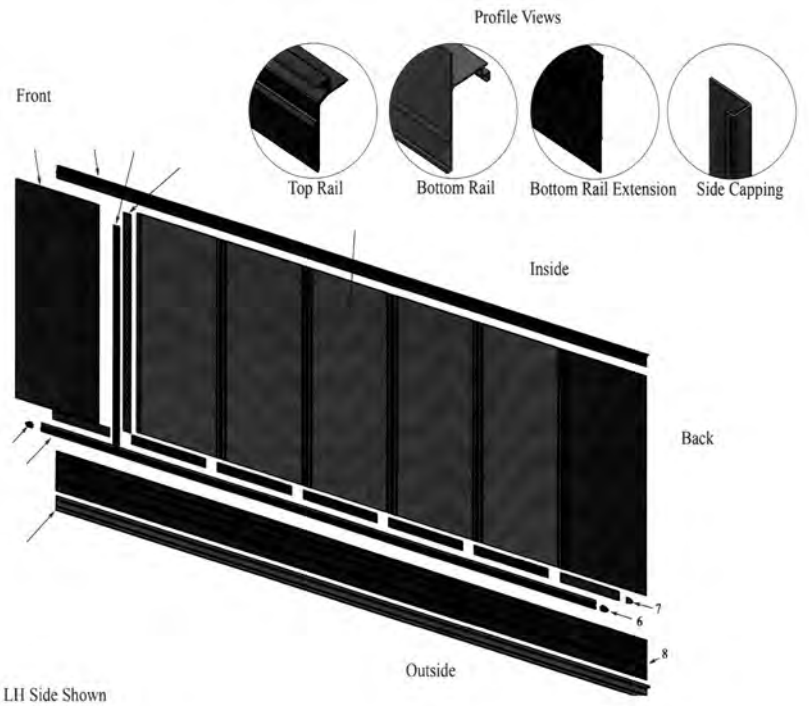
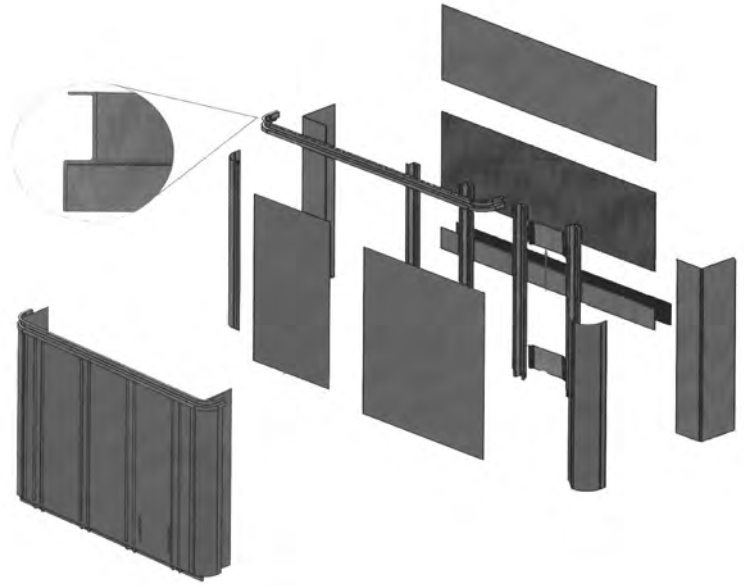
Side Posts

Roof Bows

Side Panels

Misc.

ICC Bumpers



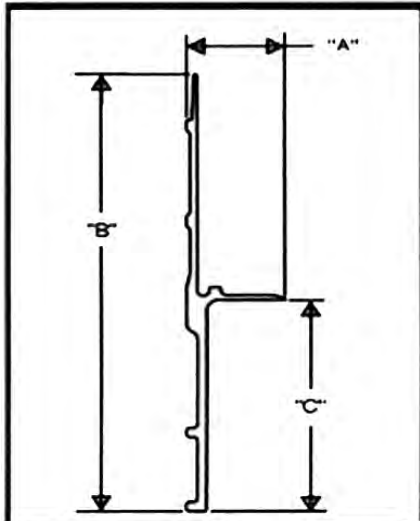


**BOTTOM SIDE RAILS - HYUNDAI**

**Hyundai Bottom Rail.**

52' (Van)

Part No. HYE06-003-6260

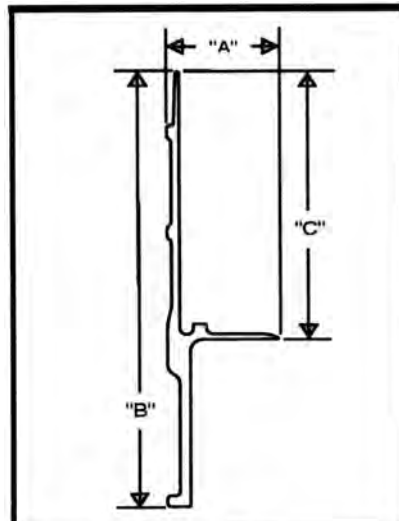


| E06-003 |        |        |
|---------|--------|--------|
| DIM     | MM     | Inch   |
| "A"     | 53.39  | 2 1/8  |
| "B"     | 286.25 | 11 1/4 |
| "C"     | 138    | 5 7/16 |
| "D"     |        |        |

**Hyundai Bottom Rail.**

38' 7-1/4" (Container)

Part No. HYE06-009-4634

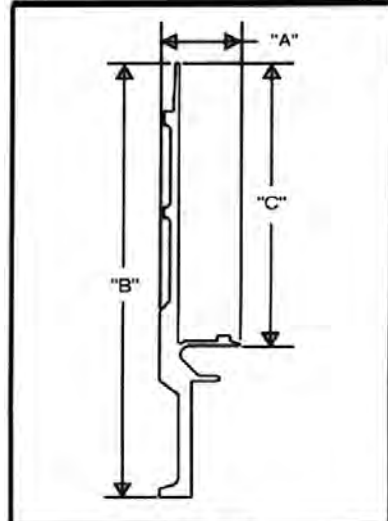


| E06-009 |        |         |
|---------|--------|---------|
| DIM     | MM     | Inch    |
| "A"     | 53.39  | 2 1/8   |
| "B"     | 241.3  | 9 1/2   |
| "C"     | 148.25 | 5 13/16 |
| "D"     |        |         |

**Hyundai Bottom Rail.**

38' 7-1/4" (Container)

Part No. HYE06-012-4634

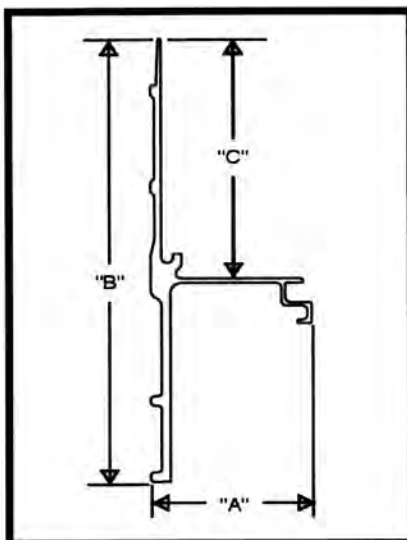


| E06-012 |       |       |
|---------|-------|-------|
| DIM     | MM    | Inch  |
| "A"     | 41.6  | 1 5/8 |
| "B"     | 254   | 10    |
| "C"     | 165.5 | 6 1/2 |
| "D"     |       |       |

**Hyundai Bottom Rail.**

52' (Van)

Part No. HYE06-023-6260

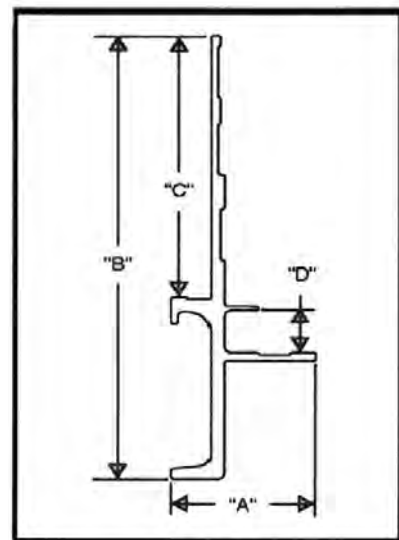


| E06-023 |        |        |
|---------|--------|--------|
| DIM     | MM     | Inch   |
| "A"     | 90.4   | 3 9/16 |
| "B"     | 286.25 | 11 1/4 |
| "C"     | 155.55 | 6 1/8  |
| "D"     |        |        |

**Hyundai Bottom Rail.**

38' 7-1/4" (Container)

Part No. HYE06-025-4634

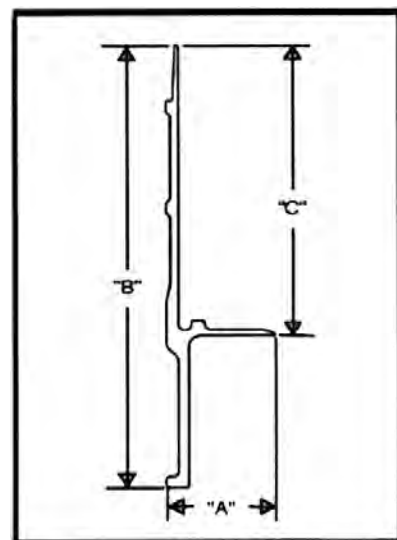


| E06-025 |       |       |
|---------|-------|-------|
| DIM     | MM    | Inch  |
| "A"     | 63    | 2 1/2 |
| "B"     | 215.6 | 8 1/2 |
| "C"     | 127.3 | 5     |
| "D"     | 21    | 13/16 |

**Hyundai Bottom Rail.**

38' 8-5/16" (Container)

Part No. HYE06-028-4645



| E06-028 |       |       |
|---------|-------|-------|
| DIM     | MM    | Inch  |
| "A"     | 53.39 | 2 1/8 |
| "B"     | 241.3 | 9 1/2 |
| "C"     | 158.7 | 6 1/4 |
| "D"     |       |       |

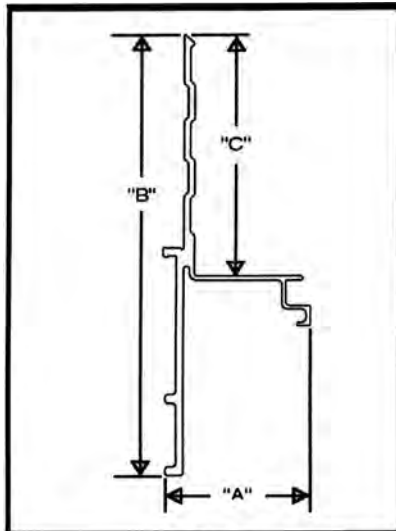


**BOTTOM SIDE RAILS - HYUNDAI**

**Hyundai Bottom Rail.**

52' (Van)

**Part No. HYE06-033-6260**

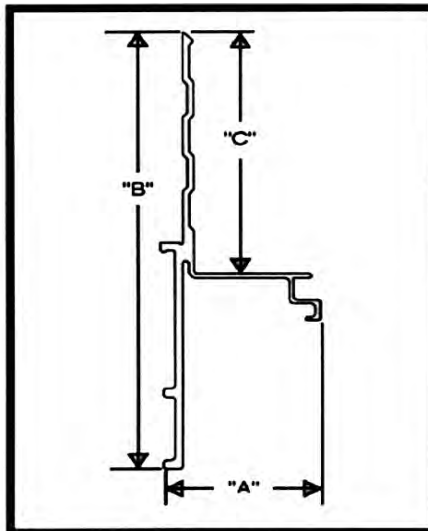


| E06-033 |        |        |
|---------|--------|--------|
| DIM     | MM     | Inch   |
| "A"     | 86.8   | 3 7/16 |
| "B"     | 298.45 | 11 3/4 |
| "C"     | 162.75 | 6 7/16 |
| "D"     |        |        |

**Hyundai Bottom Rail.**

52' (Van)

**Part No. HYE06-035-6260**

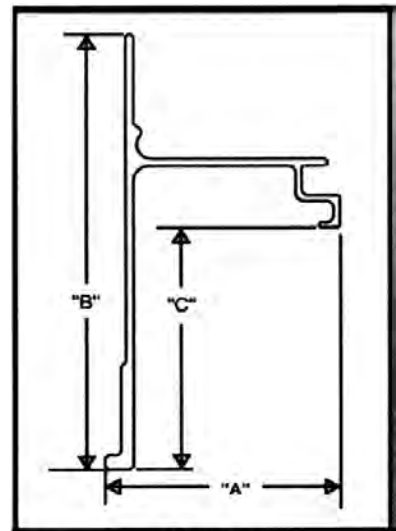


| E06-035 |        |        |
|---------|--------|--------|
| DIM     | MM     | Inch   |
| "A"     | 86.8   | 3 7/16 |
| "B"     | 298.45 | 11 3/4 |
| "C"     | 165.05 | 6 1/2  |
| "D"     |        |        |

**Hyundai Bottom Rail.**

52' (Van)

**Part No. HYE06-042-6240**

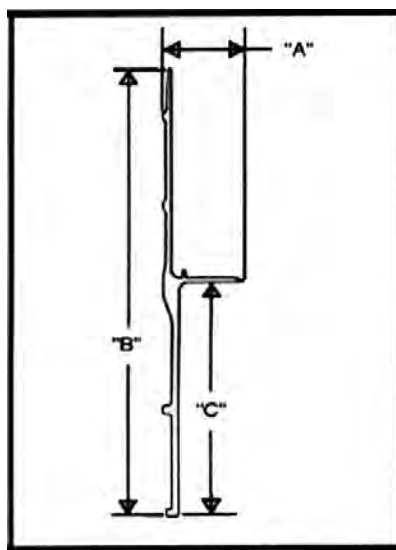


| E06-042 |        |        |
|---------|--------|--------|
| DIM     | MM     | Inch   |
| "A"     | 90.3   | 3 9/16 |
| "B"     | 183.45 | 7 1/4  |
| "C"     | 101.7  | 4      |
| "D"     |        |        |

**Hyundai Bottom Rail.**

51' 11-9/16" (Van)

**Part No. HYE06-50-6260**

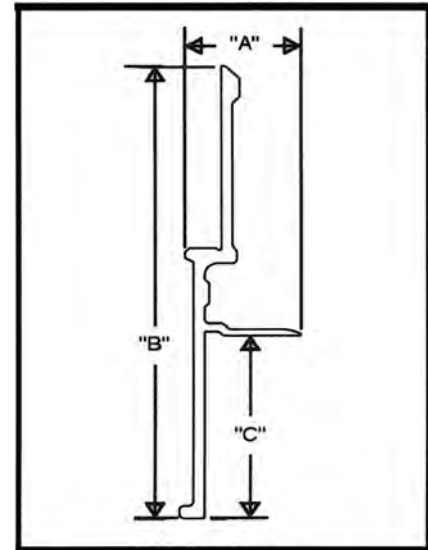


| E06-050 |        |         |
|---------|--------|---------|
| DIM     | MM     | Inch    |
| "A"     | 50     | 1 15/16 |
| "B"     | 311.65 | 12 1/4  |
| "C"     | 163.4  | 6 7/16  |
| "D"     |        |         |

**Hyundai Bottom Rail.**

14' 6" (Van)

**Part No. HYE06-053-1740**

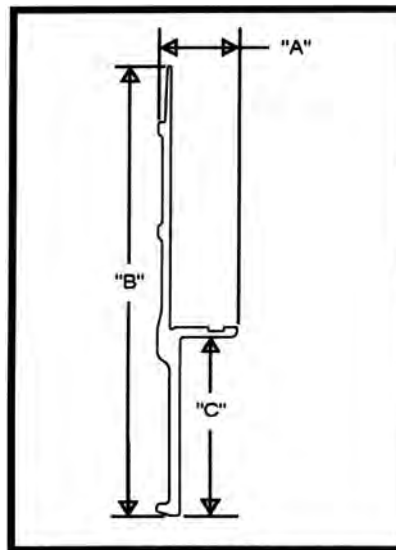


| E06-053 |       |         |
|---------|-------|---------|
| DIM     | MM    | Inch    |
| "A"     | 51.09 | 2       |
| "B"     | 230.5 | 9 1/16  |
| "C"     | 93.05 | 3 11/16 |
| "D"     |       |         |

**Hyundai Bottom Rail.**

26' 4-9/16" (Van)

**Part No. HYE06-054-3194**



| E06-054 |       |         |
|---------|-------|---------|
| DIM     | MM    | Inch    |
| "A"     | 38.6  | 1 1/2   |
| "B"     | 241.3 | 9 1/2   |
| "C"     | 96.4  | 3 13/16 |
| "D"     |       |         |

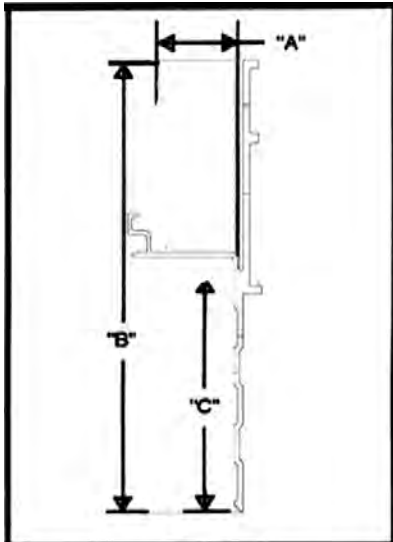


**BOTTOM SIDE RAILS - HYUNDAI**

**Hyundai Bottom Rail.**

52' (Van)

**Part No. HYE06-057-6260**



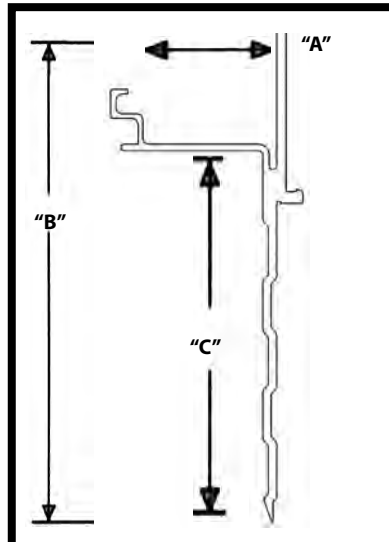
**E06-057**

| DIM | MM | Inch    |
|-----|----|---------|
| "A" |    | 2 1/4"  |
| "B" |    | 11 3/4" |
| "C" |    | 6 1/2"  |
| "D" |    |         |

**Hyundai Bottom Rail.**

52' (Van)

**Part No. HYE06-064-6260**



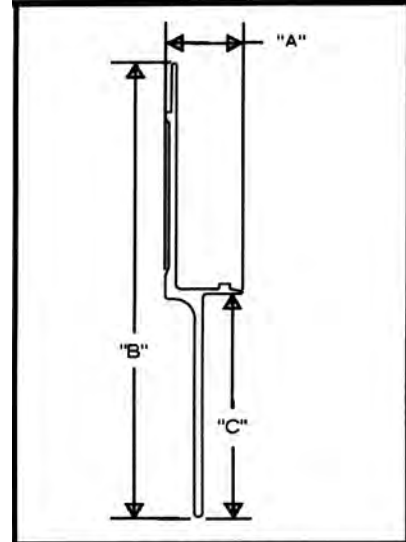
**E06-064**

| DIM | MM | Inch    |
|-----|----|---------|
| "A" |    | 2-3/8"  |
| "B" |    | 11-7/8" |
| "C" |    | 6-3/4"  |
| "D" |    |         |

**Hyundai Bottom Rail.**

51' 6-11/16" (Van)

**Part No. HYE06-156-618A**



**E06-156**

| DIM | MM   | Inch    |
|-----|------|---------|
| "A" | 42.9 | 1 11/16 |
| "B" | 280  | 11      |
| "C" | 138  | 5 7/16  |
| "D" |      |         |

**BOTTOM RAILS - INTERMEDIATE HYUNDAI**

**Part No. HY20034481**

Intermediate 117-20028 Right Hand Side. 77.5"

**Part No. HY20034482**

Intermediate 117-21018 Left Hand Side. 70.75"  
(Shown)



**Part No. HY20034489**

Intermediate 115-19021 Left Hand Side. 70.75"

**Part No. HY20034490**

Intermediate 115-19021 Right Hand Side. 70.75"  
(Shown)

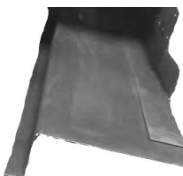


**Part No. HY20032474**

Intermediate 117-20023. Left hand side. 77.5"

**Part No. HY20032475**

Intermediate 117-20023. Right hand side. 77.5"  
(Shown)



**Hyundai RUB Rail.**

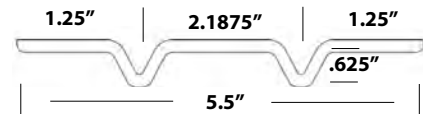
26'-3" (Van)

**Part No. HYE06-011-3146**

**Hyundai RUB Rail.**

51' 6-11/16" (Van)

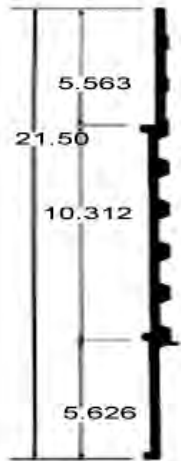
**Part No. HYE06-011-618A**





**BOTTOM RAILS - TRAILMOBILE**

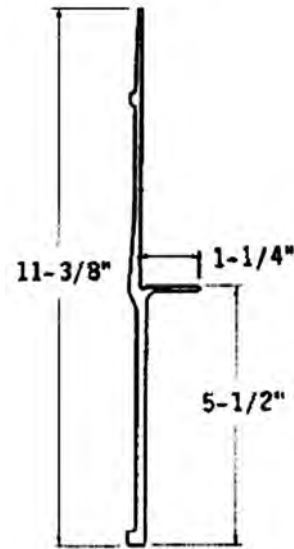
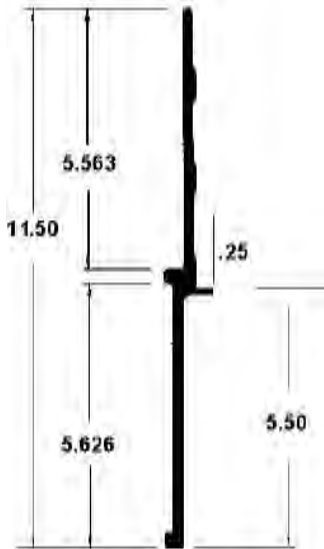
**Trailmobile Bottom Rail.**  
XD Ultra Plate. 52'  
**Part No. 6090-4-1059-625**



**Trailmobile Bottom Rail.**  
Front. 9-15/16" x 73"  
**Part No. 90-4-2313-0-73**

**Trailmobile Bottom Rail.**  
Available as 20' 52' and 8' pieces.  
**Part No. 90-4-2352-240**  
**Part No. 90-4-2352-625**  
**Part No. 90-4-2352-96**

**Trailmobile Bottom Rail.**  
Ultra Plate. 52'  
**Part No. 90-4-1037-625**



**Trailmobile Bottom Rail.**  
**FRONT. 8" x 88"**  
**Part No. 90-4-2352-0-88**

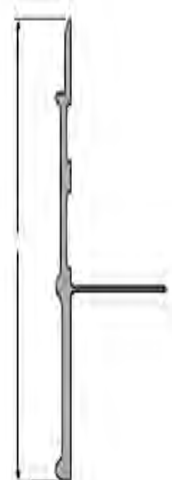


**BOTTOM RAILS - MORGAN BODY**

**Bolt Kit For ALL Bottom Rails**  
Contains (8) 3/8"-24 x 11/4"  
TORX® Drive Button Head  
Grade 8 Screws with  
Nylon Insert Lock Nuts  
**Part No. 1157013**



**Morgan Body Bottom Rail**  
GVFD / GVSD models. 25'  
**Part No. MP-000785**







**BOTTOM RAILS - STRICK**

**Strick Bottom Rails**

**Part No. SK01854**

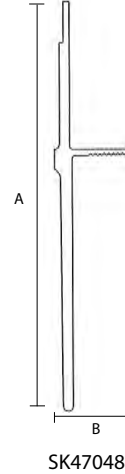
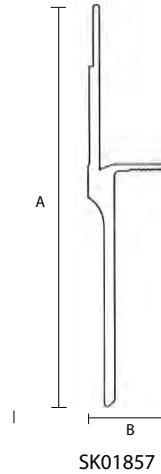
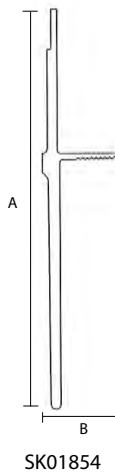
51'-10.625" length  
A: 8.75" B: 1.50"

**Part No. SK01857**

51'-10.81" length  
A: 8.75" B: 1.1875"

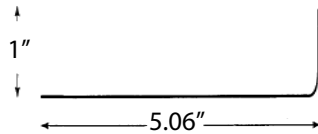
**Part No. SK47048**

27'-4.625" length  
A: 8.75" B: 1.1875"



**Part No. SK51322**

Bottom Rail Splice Angle  
102" Long-Steel-Punched  
for Bottem Rail numbers  
SK01854, SK01857



**Part No. SK46859**

Floor Cap Rail.  
Galvanized Steel. 23'9.88"

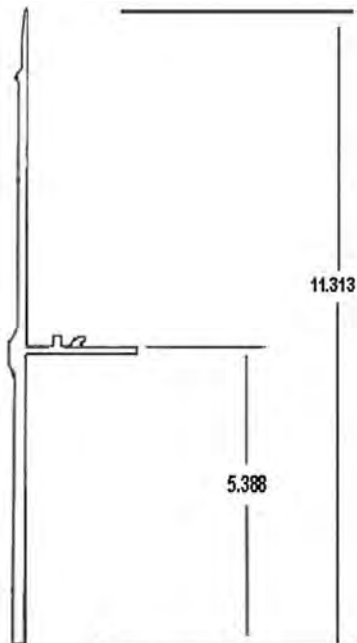


**BOTTOM RAILS - GREAT DANE STYLE / UTILITY STYLE**

**Great Dane Style Bottom Rail.**

2511068619 (626")

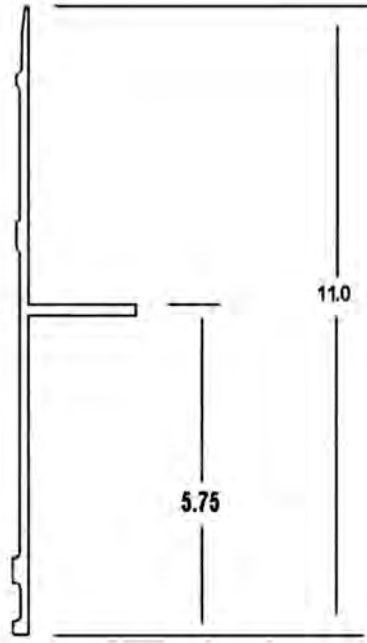
**Part No. GD-BR-03-626**



**Utility Style Bottom Rail.**

1-6650-149 (625")

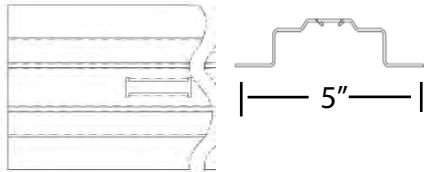
**Part No. UT-BR03-625**



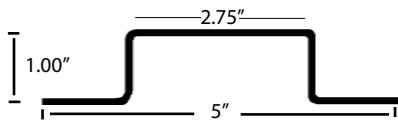


**SIDE POSTS - HYUNDAI**

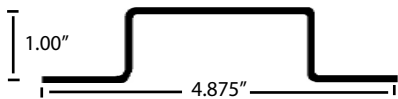
**Hyundai Side Post**  
Galvanized. 5", 'E-series', 107.5"  
**Part No. HY10002740**



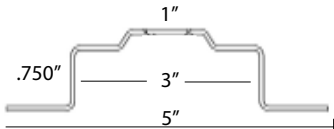
**Hyundai Side Post**  
Galvanized. 'A' track slots. 104.75"  
**Part No. HY10009128**



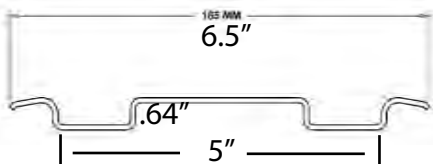
**Hyundai Side Post**  
Galvanized. 106.875" length.  
**Part No. HY10009246**



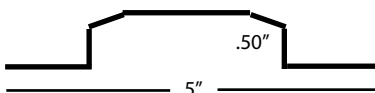
**Hyundai Side Post**  
Galvanized. 107" length.  
**Part No. HY10010554**



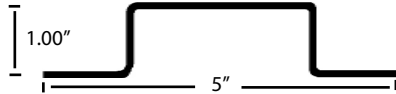
**Hyundai Side Post**  
Galvanized. 110", 'A' track slots.  
**Part No. HY10011202**



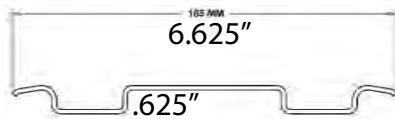
**Hyundai Side Post**  
Galvanized. Painted Orange.  
**Part No. HY10016553**



**Hyundai Side Post**  
Galvanized. Hat Style.  
**Part No. HY10019375**



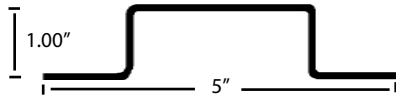
**Hyundai Side Post**  
Galvanized. 'A' track slots. 106.5"  
**Part No. HY10023498**



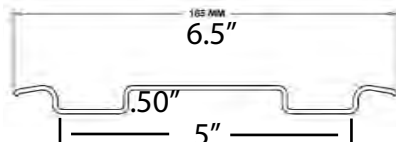
**Hyundai Side Post**  
Galvanized. Flat piece. A Slots.  
106.878" length. 4.56" wide.  
**Part No. HY10024627**



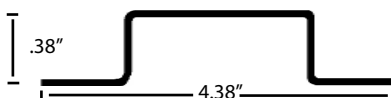
**Hyundai Side Post**  
Galvanized. Hat style  
**Part No. HY10026067**



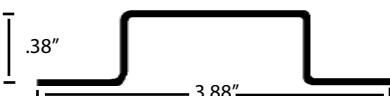
**Hyundai Side Post**  
Galvanized. 'A' track slots.  
**Part No. HY10030203**



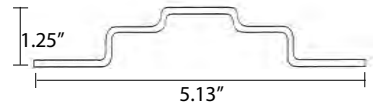
**Hyundai Side Post**  
Galvanized. Orange.  
**Part No. HY10033738**



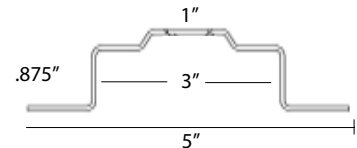
**Hyundai Outer Post**  
Galvanized. Closure Side. White.  
**Part No. HY10035778**



**Hyundai Side Post**  
Galvanized.  
**Part No. HY10036046**



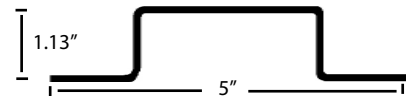
**Hyundai Side Post**  
Galvanized. 'A' track slots.  
122-5/8" length.  
**Part No. HY10036974**



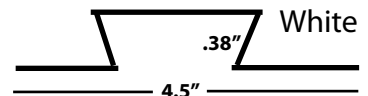
**Hyundai Side Post**  
Galvanized. A Track Slots.  
95.8" length. 4.5" wide.  
**Part No. HY10037479**



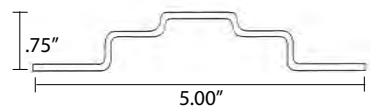
**Hyundai Side Post**  
Galvanized.  
**Part No. HY20025922**



**Hyundai Outer Post**  
Galvanized. Closure side.  
**Part No. HY20044260**



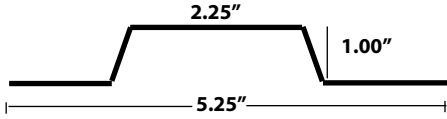
**Hyundai Side Post**  
'A' track slots. 122.625" length  
**Part No. HYE05-008-122A**



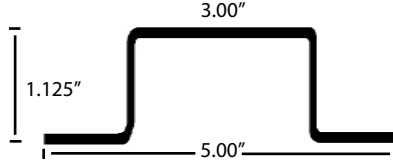


**INNER / SIDE / CAPPING POSTS - HYUNDAI**

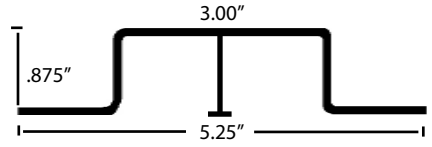
**Hyundai Capping Post**  
Beveled. Aluminum. 106" length  
**Part No. 1016103**



**Hyundai Capping Post**  
Square. Aluminum. 110" length.  
**Part No. 1016106**



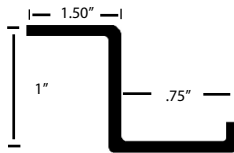
**Hyundai Side Post**  
Aluminum. Reinforced. 108."  
**Part No. 1016108**



**Hyundai Inner Post**  
107.5" length.  
A style track. Flat.  
Holes on 4" centers.  
**Part No.**  
**HY10022262**



**Hyundai 'Z' Post**  
151.38" length  
**Part No. HYE05-266-1513**



**Hyundai Front Corner Post**  
104.50" overall.  
Holes on 2" centers  
**Part No. HY20034473 (LH)**  
**Part No. HY20034474 (RH)**

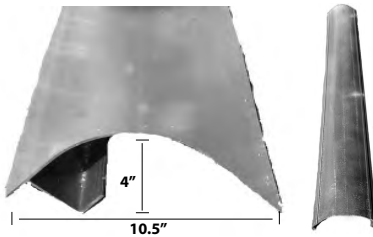


**FRONT CORNER POSTS - HYUNDAI**

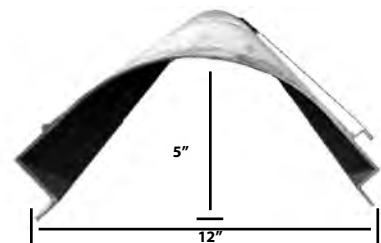
**Hyundai Front Corner Post**  
5" x 11.75" 106.75 overall  
**Part No. HYE05-023-1068**



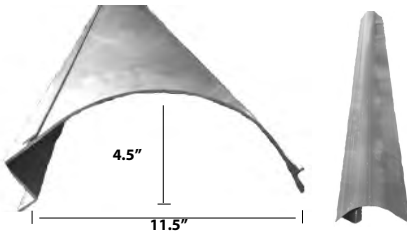
**Hyundai Front Corner Post**  
4" x 10.5" 110.00" overall  
**Part No. HYE05-031-1100**



**Hyundai Front Corner Post**  
5" x 12" 103.25" overall  
**Part No. HYE05-035-1030**



**Hyundai Front Corner Post**  
4.5" x 11.50" 109.25" overall  
**Part No. HYE05-036-1098**



**Hyundai Front Corner Post**  
3.625" x 12.50" 103.75" overall  
**Part No. HYE05-041-103B**



**Hyundai Front Corner Post**  
5.125" x 11", 117.125" overall  
**Part No. HYE05-180-1172**



**REAR CORNER POSTS - HYUNDAI**

**Part No. HY20017502G (RH)**  
**Part No. HY20017503G (LH)**  
117.38" length. 8.5" wide.  
12" center to center on 'A' slots.



**Part No. HY20029930 (RH)**  
**Part No. HY20029931 (LH)**  
113.875" length. Holes at 2" centers. Overall width 9.875".



**Part No. HY20030498 (RH)**  
**Part No. HY20030499 (LH)**  
138" length.





**SIDE POSTS - TRAILMOBILE**

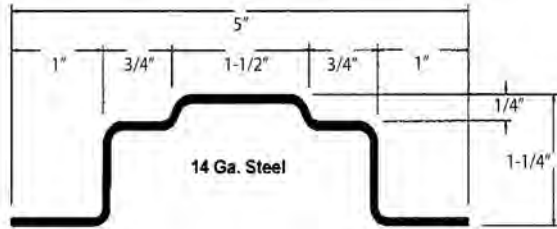
**Trailmobile Side Post**

Steel. 5" Hat Style. 'A' track slots. 106.87"

**Part No. 513-5-600-1166A12**

Steel. 5" Hat Style. 'E' track slots, 106.87".

**Part No. 513-5-600-1166E12**

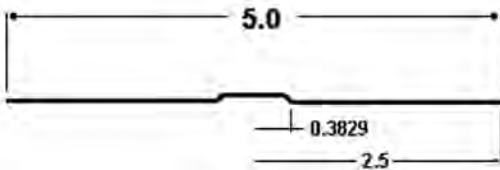


**Trailmobile Outer Post**

Ultra Plate Outer Post.

112.48" .050 aluminum white.

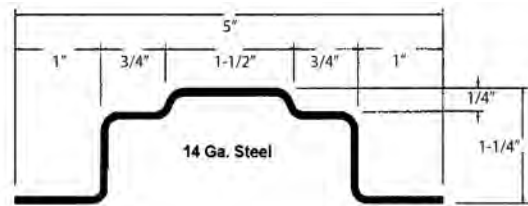
**Part No. 6513-5-151-1216**



**Trailmobile Side Post**

Steel. 5" Hat Style. 'A' track slots, 120"

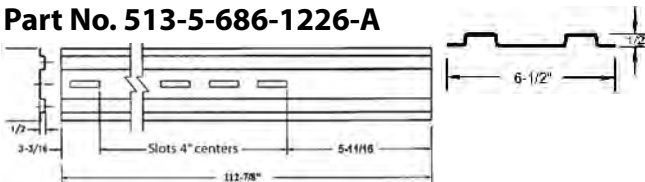
**Part No. 513-5-600-1250A12**



**Trailmobile Side Post**

Steel. 5" Hat Style. 'A' track slots, 115.25"

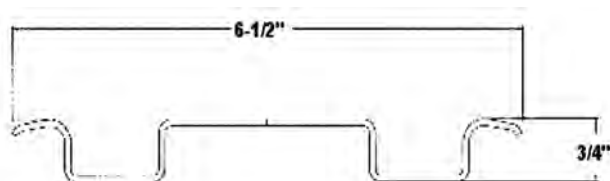
**Part No. 513-5-686-1226-A**



**Trailmobile Side Post**

Steel. 6.5" Hat Style. 'A' track slots, 107.62"

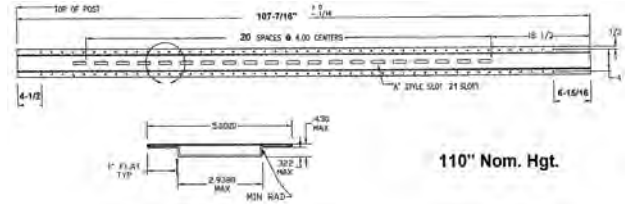
**Part No. 6513-5-130-12**



**Trailmobile Side Post**

Steel wrap Ultra Plate. 'A' track slot. 110"

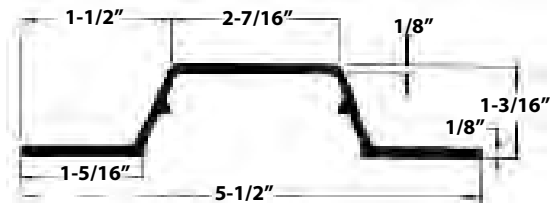
**Part No. 7513-5-044-1166**



**Trailmobile Side Post**

Aluminum. O Model. 115"

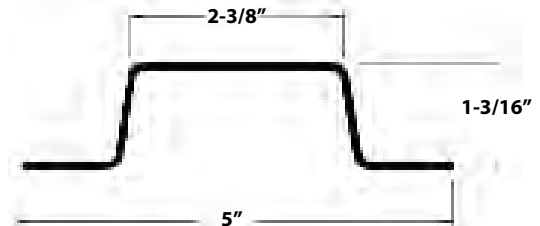
**Part No. 90-4-1082-0-115**



**Trailmobile Side Post**

16 gauge Galv steel. Punched Holes. 112"

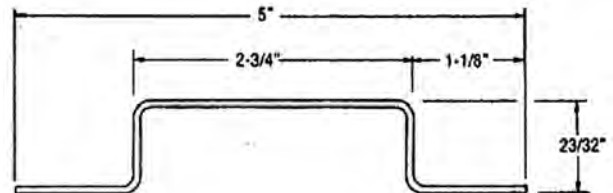
**Part No. 90-4-1988P-0-112**



**Trailmobile Side Post**

Galv Steel. Punched Holes, 112."

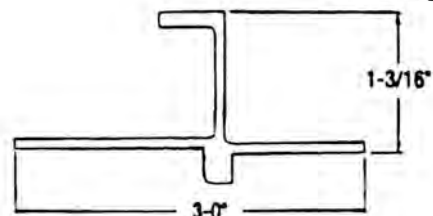
**Part No. 90-4-2033P-0-112**



**Trailmobile Side Post**

Side attachment, van trailer.

**Part No. 90-4-2349-0-121**





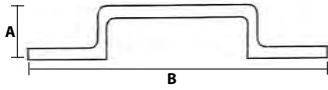
**SIDE POSTS - STRICK**

**Strick Side Post**

Aluminum - 116.19"

A: .91" B: 5.25"

**Part No. SK27555**

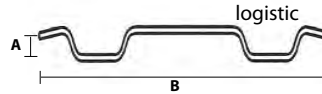


**Strick Side Post**

Steel, logistic A slots - 107.25"

A: .75" B: 6.75"

**Part No. SK57236**

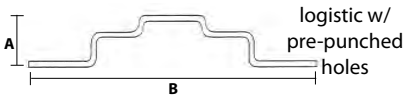


**Strick Side Post**

Steel, logistic E slots - 104.38"

A: 1.26" B: 5"

**Part No. SK45596**



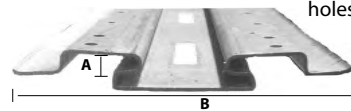
**Strick Side Post**

Steel, logistic A slots - 107.25"

A: .75" B: 7"

**Part No. SK59025**

logistic w/  
pre-punched  
holes

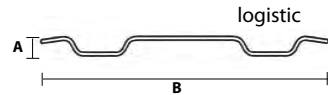


**Strick Side Post**

Aluminum, logistic A slots - 104.25"

A: .94" B: 6.88"

**Part No. SK53513**

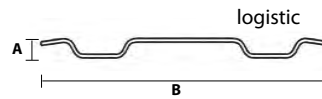


**Strick Side Post**

Steel, logistic A slots - 108.88"

A: .45" B: 6.75"

**Part No. SK59329**

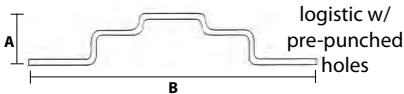


**Strick Side Post**

Steel, logistic A slots - 107.38"

A: .75" B: 5"

**Part No. SK54120**

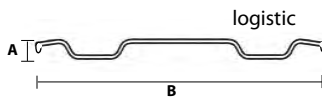


**Strick Side Post**

Steel, logistic A slots - 107.25"

A: .625" B: 6.75"

**Part No. SK62014**

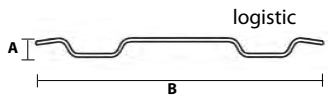


**Strick Side Post**

Aluminum, logistic A slots - 105.88"

A: 1" B: 7"

**Part No. SK54244**

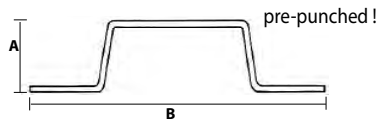


**Strick Side Post**

Steel, logistic A slots - 107.25"

A: 1.312" B: 5.25"

**Part No. SK63580**



**Strick Starter Post - 'Z'**  
14 gauge galvanized, 101"  
Round holes on 2" centers  
**Part No. SK58998**

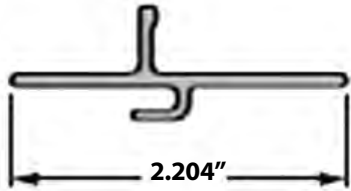




**SIDE POSTS - MORGAN BODY & SUPREME**

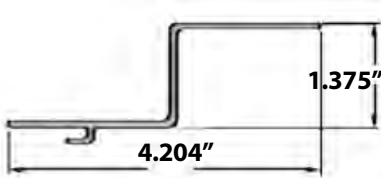
**Morgan Side Post**

Side connector post.  
112.31", GVFD Model  
Part No. **MP-001481**



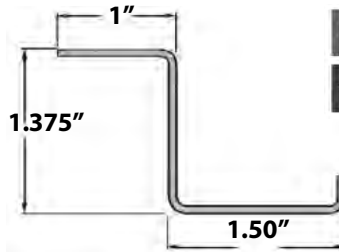
**Morgan Side Post**

Side connector post.  
112.31", GVFD Model  
Part No. **MP-00165**



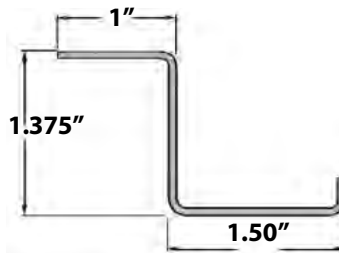
**Morgan Side Post**

Aluminum. Z Post. 109"  
Part No. **MP-14211**



**Morgan Side Post**

Steel. Z Post. 107"  
Part No. **MP-A0000119**



**SIDE POST - STOUGHTON STYLE / FRUEHAUF STYLE / GREAT DANE STYLE**

**Stoughton Style Side Post**

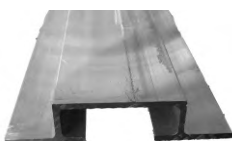
Aluminum. 5" x 110". Container.  
Part No. **1016102**

Bevel Capping Post  
Part No. **1016103**

Aluminum. 6" x 110". Container.  
Part No. **1016104**

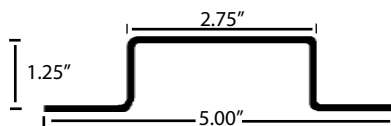
Square Capping post  
Part No. **1016106**

Aluminum. 6.75" x 107.5". Container.  
Part No. **1016125**



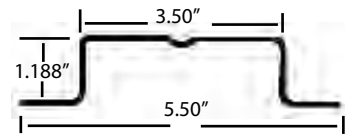
**Various applications - Side Post**

Galvanized Steel. Hat style. 120"  
Holes punched at 2" centers.  
Part No. **1011037**



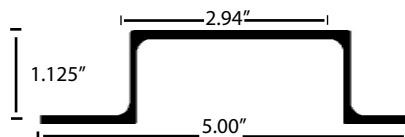
**Fruehauf Style Side Post**

Steel. 107.5"  
Part No. **FR-SP03**



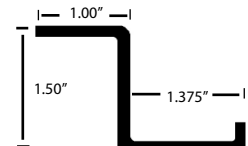
**Great Dane Style Side Post**

Aluminum. 1.125" x 110"  
Part No. **X6120X110**



**Great Dane Style Side Post**

Aluminum. 1.50" x 110"  
Part No. **X6136X110**



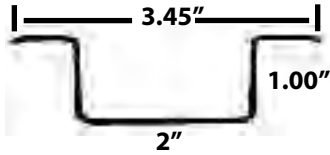


**ROOF BOWS - HYUNDAI**

**Hyundai Roof Bow**

Hat Style - 99"

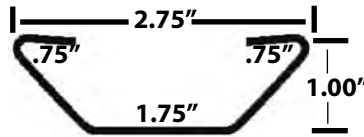
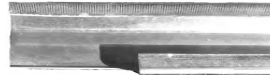
**Part No. HY10002725**



**Hyundai Roof Bow**

99" with notch.

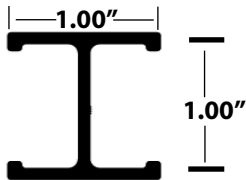
**Part No. HY10035596**



**Hyundai Roof Bow**

I-Beam 93.25". Aluminum.

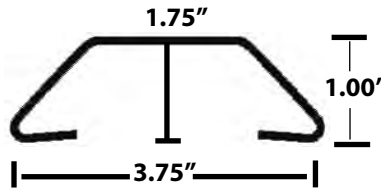
**Part No. HY10002975**



**Hyundai Roof Bow**

Aluminum notch. 99.25"

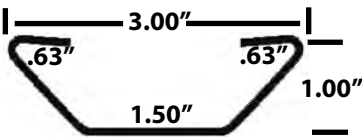
**Part No. HY20046915**



**Hyundai Roof Bow**

99" with notch.

**Part No. HY10020735**



**ROOF BOW TAPE(S)!**

**Part No. 1059065** 1/8" x 5/8" Poly-Sul Grip. 65' roll.

**Part No. 1059610** 1/16" x 3/4" 2 Sided: Butyl x Poly-Sul. 100'



**ROOF BOWS - STRICK**

**Strick Roof Bow**

98.78" High Arch

**Part No. SK01510**



**Strick Roof Bow**

100.38" High Arch

**Part No. SK01512**



**Strick Roof Bow**

99.44" High Arch

**Part No. SK01513**



**Strick Roof Bow**

98.78" Standard Arch

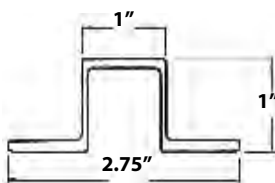
**Part No. SK27820**

**ROOF BOWS - TRAILMOBILE**

**Trailmobile Roof Bow**

98.75" Arched, Alum.

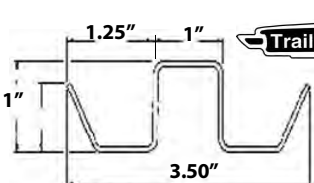
**Part No. 514-3-145A-2**



**Trailmobile Roof Bow**

99.13" Anti-Snag, Steel.

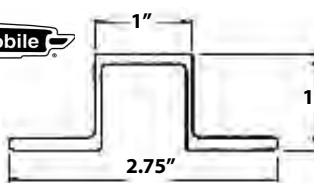
**Part No. 514-3-152B**



**Trailmobile Roof Bow**

98.75" Straight. Aluminum

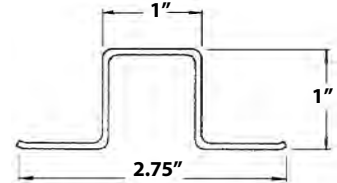
**Part No. 90-4-1801-0-100**



**Trailmobile Roof Bow**

99.13" Cambered. Steel.

**Part No. 9514-3-78B**



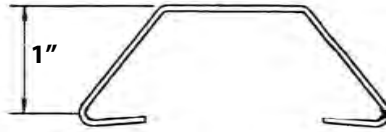


**ROOF BOWS - MORGAN BODY**

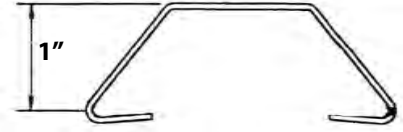
**Morgan Roof Bow**  
Steel - 1.38"x 98"  
Double hole at Ends.  
**Part No. MP-01902**



**Morgan Roof Bow**  
Steel - 1"x 92" Single Hole.  
**Part No. MP-019033**



**Morgan Roof Bow**  
Steel - 1"x 98" Single Hole.  
**Part No. MP-0190340**



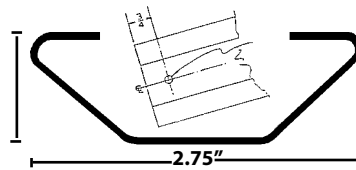
**Morgan Starter Bow**  
Steel - 1"x 92"  
**Part No. MP-019083**



**Morgan Starter Bow**  
Steel - 1"x 98"  
**Part No. MP-0192404**

**ROOF BOW - MANY APPLICATIONS**

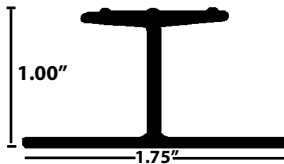
**The ULTIMATE Roof Bow**  
Many applications!  
Wabash Style, Hyundai Style,  
Dorsey Style, Monon Style.



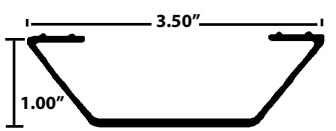
Steel. Anti-Snag.  
1"x 2.75". 99" length.  
**Part No. 1011039**

**ROOF BOWS - FRUEHAUF STYLE**

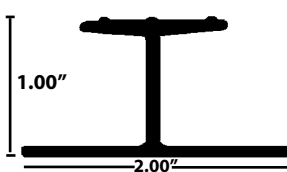
**Fruehauf Style Roof Bow**  
Aluminum I Beam. 100.25"  
Interchange No. RCC-8431-001  
**Part No. FR-RB01**



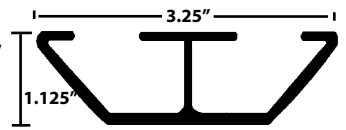
**Fruehauf Style Roof Bow**  
Aluminum Anti-Snag. 98.50"  
Interchange No. RCF-3718-001  
**Part No. FR-RB03**



**Fruehauf Style Roof Bow**  
Aluminum I Beam. 98.875"  
Interchange No. RCF-4048-001  
**Part No. FR-RB02**



**Fruehauf Style Roof Bow**  
Aluminum. Anti-Snag. 98.62"  
Interchange No. RCF-4335-4  
**Part No. FR-RB04**



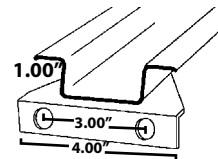
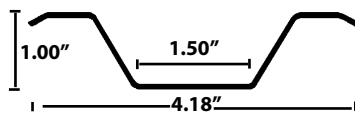
Reinforced Bow

**ROOF BOWS - GREAT DANE STYLE / LUFKIN STYLE / STOUGHTON STYLE / UTILITY STYLE**

**Great Dane Style Bow**  
Aluminum Hat. 92.25"  
Interchange No. 08581  
**Part No. GD-RB01**



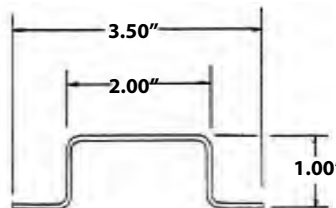
**Great Dane Style Roof Bow**  
Steel Hat Bow. 99.13"  
.28" hole punched in each end.  
Interchange No. RCB 2629  
**Part No. GD-RB03**



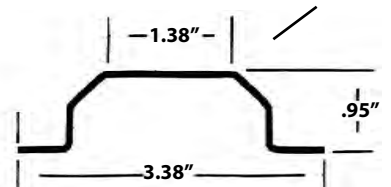
**Stoughton Style Bow**  
Steel Hat Bow. 98.75"  
Interchange No. 23-06636  
**Part No. SO-RB01**

**Great Dane Style Bow**  
Aluminum Hat. 98.61"  
Interchange No. 14113  
**Part No. GD-RB02**

**Lufkin Style Roof Bow**  
Steel Hat Bow. 99"  
Interchange No. 88424  
**Part No. LU-RB01**



**Utility Style Roof Bow**  
Steel Hat Bow. 99.48"  
Interchange No. 03-1600-053  
**Part No. UT-RB01**







## SIDE PANELS - HYUNDAI - COMPOSITE

### Hyundai Side Panel

Composite. (Orange) G-BOND®.

55.37" x 107.25" No Ridges.

**Part No. HY10016426**

### Hyundai Side Panel

Composite. White both sides. G-BOND®.

46.62" x 107.25" 2" ridge each end.

**Part No. HY10019499**

### Hyundai Side Panel

Composite. White both sides. G-BOND®.

22.63" x 107.71" 2" ridge each end.

**Part No. HY10019603**

### Hyundai Side Panel

Composite. White both sides. G-BOND®.

46.62" x 107.71" 2" ridge each side.

**Part No. HY10019837**

### Hyundai Side Panel

Composite. White both sides. G-BOND®.

16.62" x 106.75" 2" ridge each side.

**Part No. HY10019838**

### Hyundai Side Panel

Composite. White one side. G-BOND®.

46.62" x 107.70" 2" ridge each side.

**Part No. HY10022508**

### Hyundai STARTER Panel

Composite. G-BOND®. White both sides.

46.31" x 107.75" 2" ridge ONE side.

**Part No. HY10025434**

### Hyundai Side Panel

Composite. G-BOND®.

White Outside/Gray Inside.

22.63" x 106.75" 2" ridge each end.

**Part No. HY10028774**

### Hyundai Side Panel

Composite. White both sides. G-BOND®.

21.56" x 96" 2" ridge each end.

**Part No. HY10029763**

### Hyundai Side Panel

Composite. White both sides. G-BOND®.

4" x 107"

**Part No. HY10029921**

### Hyundai Side Panel

Composite. G-BOND®.

46.25" x 108" 2" ridge ONE side.

**Part No. HY10032632**

### Hyundai Side Panel

Composite. White both sides. G-BOND®.

46.50" x 102" 2" ridge each side.

**Part No. HY10031379 (HY10034313)**

### Hyundai Side Panel

Composite. Orange. G-BOND®.

46.62" x 96.878" 2" ridges each side.

**Part No. HY10042052**



## SIDE PANELS AND FRONT PANEL - HYUNDAI

### Hyundai Side Panel

Yellow. .050x29x107.68

**Part No. HY20016991**

### Hyundai Side Panel

Blue. .050x49x88.93

**Part No. HY20074507**

### Hyundai Side Panel

Orange .050x55.37x107.25

**Part No. HY10016426**



### Front Panel

**Part No. HY20058600**

Aluminum. Pre-painted White

Size: .050x56x103

**SIDE PANELS - CORRUGATED****Hyundai Corrugated****Side Panels**

15 corrugations.

**Part No. HY10029366**

16 corrugations. 112-04364-1

**Part No. HY20070698****Great Dane Style 16 Corr Panel**

16 corrugations.

PVC Coated White Aluminum.

.040x49x110.5 with 16" space

from one end start and 3.5"

space from the other end.

Centers at 4" & 8". **Part No. GD-SS02****Trailmobile 16 Corrugated Side Panel**

16 corrugations. Aluminum.

PVC Coated White.

.050x49x110.5 with 15" space

from one end start and 4.5"

space from the other end.

Centers at 4" &amp; 8".

**Part No. 700-513-27-26****Utility Style 15 Corr Side Panel**

15 corrugations.

PVC Coated White Aluminum.

.040x49x106 with 14.5" space

from one end start and 7.5"

space from the other end.

Interchange No. 3-6001-183

**Part No. UT-SS03****SIDE PANELS - FLAT - UNIVERSAL****FLAT SIDE PANELS - .050" ALUMINUM, PREPAINTED - ABBREVIATIONS: PPW\*: Prepainted White****PART NUMBER****DESCRIPTION****COMMENTS****050X49X110WH**

49" X 110" PPW\* ONE SIDE, MILL FINISH OPPOSITE

PVC PROTECTIVE COATING

**050X49X110WHLP**

49" X 110" PPW\* ONE SIDE, MILL FINISH OPPOSITE

**LESS** PROTECTIVE COATING**050X49X120WH**

49" X 120" PPW\* OPPOSITE, MILL FINISH OPPOSITE

PVC PROTECTIVE COATING

**050X49X144WH**

49" X 144" PPW\* OPPOSITE, MILL FINISH OPPOSITE

PVC PROTECTIVE COATING

**COLORS OTHER THAN WHITE:****050X49X110BLK-PVC**

49" X 110" Black ONE SIDE, MILL FINISH OPPOSITE

PVC PROTECTIVE COATING

**050X49X110PCR3**

49" X 110" Red (Coke Red) ONE SIDE, MILL FINISH OPPOSITE

PVC PROTECTIVE COATING

**VANFASTIC - PATCHES for Van Trailers or Truck Bodies****Aluminum Repair Kit Self Adhesive Aluminum & Translucent Patches For Panel Repairs**

Can be impressed over rivets. Vanfastic will not add structural integrity; the repair is for cosmetic purposes only. Can be lightly sanded and painted to match any special finish. - SOLD EACH.

**Kit No. V1212G** - Sold Each, box contains ten 12" x 12" self adhesive grey aluminum sheets.

**Kit No. V1212N** - Sold Each, box contains ten 12" x 12" self adhesive bare aluminum sheets.

**Kit No. V1212W** - Sold Each, box contains ten 12" x 12" self adhesive white aluminum sheets.

**Kit No. V1224N** - Sold Each, box contains ten 12" x 24" self adhesive bare aluminum sheets.

**Kit No. V1224W** - Sold Each, box contains five 12" x 24" self adhesive white aluminum sheets.

**VANFASTIC - Translucent Patches For Roof Repairs.****Part No. VF1224T**

This is the ideal repair material; the repair can be made from the inside or outside. For large repairs it may be necessary to apply to both sides. (contains five 12" x 24" self adhesive translucent sheets.) Pack = 5. Sold Each.



**Just peel and apply over damaged area!**



**ALUMINUM RIVETS**

**Aluminum Rivet Alloy Identification Marks**

**Alloy 2117 I.D. Mark** Depressed dimple in top center of rivet head

**Alloy 1100F I.D. Mark** Raised figure "2" on bottom of shank

All rivets are chamfered.

**Standard  
Brazier Head  
Aluminum Rivets  
2 lb. Pack**



**Modified  
Brazier Head  
Aluminum Rivets  
2 lb. Pack**



**Standard  
Universal Head  
Aluminum Rivets  
2 lb. Pack**



**Approximate Pieces Per Pound  
Nominal Diameter**

| Length | 3/16" | 1/4" |
|--------|-------|------|
| 3/8    | 523   | 257  |
| 7/16   | 480   | 238  |
| 1/2    | 443   | 222  |
| 9/16   | 411   | 207  |
| 5/8    | 384   | 195  |
| 3/4    | 338   | 174  |

**Approximate Pieces Per Pound  
Nominal Diameter**

| Length | 3/16" | 1/4" |
|--------|-------|------|
| 3/8    | 649   | 369  |
| 7/16   | 584   | 331  |
| 1/2    | 531   | 300  |
| 9/16   | 485   | 274  |
| 5/8    | 448   | 253  |
| 3/4    | 387   | 218  |

**Approximate Pieces Per Pound  
Nominal Diameter**

| Length | 3/16" | 1/4" |
|--------|-------|------|
| 3/8    | 633   | 306  |
| 7/16   | 571   | 279  |
| 1/2    | 521   | 257  |
| 9/16   | 476   | 238  |
| 5/8    | 441   | 222  |
| 3/4    | 382   | 195  |

**•3/16" Diameter-  
~2117T4 Hard Alloy~**

| Length | Part No. |
|--------|----------|
| 3/8    | 1025900  |
| 7/16   | 1025902  |
| 1/2    | 1025904  |
| 9/16   | 1025906  |
| 5/8    | 1025907  |

**~1100F Soft Alloy~**

| Length | Part No. |
|--------|----------|
| 3/8    | 1025901  |
| 7/16   | 1025903  |
| 1/2    | 1025905  |
| 5/8    | 1025908  |

**•1/4" Diameter-  
~2117T4 Hard Alloy~**

| Length | Part No. |
|--------|----------|
| 3/8    | 1025909  |
| 1/2    | 1025910  |
| 5/8    | 1025912  |
| 3/4    | 1025914  |
| 7/8    | 1025915  |

**~1100F Soft Alloy~**

| Length | Part No. |
|--------|----------|
| 1/2    | 1025911  |
| 5/8    | 1025913  |

**•3/16" Diameter-  
~2117T4 Hard Alloy~**

| Length | Part No. |
|--------|----------|
| 3/8    | 1025921  |
| 7/16   | 1025922  |
| 1/2    | 1025923  |

**•1/4" Diameter-  
~2117T4 Hard Alloy~**

| Length | Part No. |
|--------|----------|
| 3/8    | 1025924  |
| 1/2    | 1025925  |
| 5/8    | 1025926  |
| 3/4    | 1025927  |

**•5/16" Diameter-  
~2117T4 Hard Alloy~**

| Length | Part No. |
|--------|----------|
| 1/2    | 1025947  |

**•1/4" Diameter-  
~2117T4 Hard Alloy~**

| Length | Part No. |
|--------|----------|
| 1/2    | 1025919  |
| 5/8    | 1025920  |

**•3/8" Diameter-  
~2117T4 Hard Alloy~**

| Length | Part No. |
|--------|----------|
| 3/4    | 1025938  |

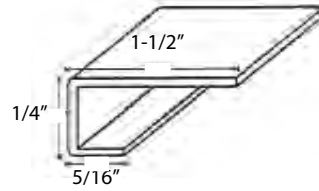




## MISC. BODY PARTS - STRICK

### Part No. SK01695

Crossmember steel assembly, 4" x 101<sup>3</sup>/<sub>8</sub>" primed black with **welded** clips; 3.2# per foot, 80,000 lb. square inch min. yield.



### Part No. SK01803

"J" moulding, 1.50" X 12"  
Inner Dimension: .377  
Outer Dimension: .281

### Part No. SK01796

Aluminum T clip, not punched



### Part No. SK52920

Roadside Door Hook

### Part No. SK52921

Curbside Door Hook

### Part No. SK47234 -

Slider Rail Repair Plate



### Part No. SK03690

roadside L/G gusset



### Part No. SK03691

curbside L/G gusset



### Part No. SK47405

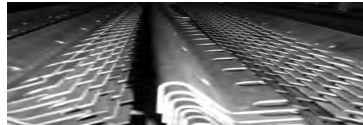
Receptacle Box top

### Part No. SK47424

Receptacle Box Bottom

### Part No. SK45048

Overhead door track protector, 10' long.



### Part No. SK01135

Light bracket, curbside

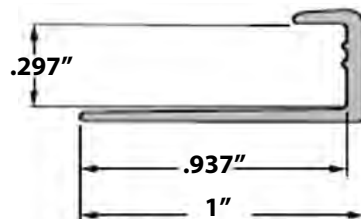
### Part No. SK01136

Light bracket, roadside

## MISC BODY PARTS - MORGAN J MOLDING

### Part No. MP-003951

J molding, aluminum, 96".



## FRP PANELS

### FRP Panels

3/4" Wood Core  
7/8" Total Thickness  
48" Wide, 120" Long  
**Part No. 7/8X48X120**

### Trailmobile FRP Panel

3/4" core FRP. White.  
89.125" x 108".

**Part No. 700-513-29**

### FRP Nut & Bolt

**Part No. 1010360**

Camtainer Nut  
5/16-18 Torx T55 Bit

**Part No. 1010361**

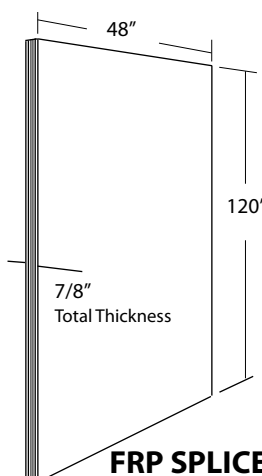
Camtainer Bolt  
5/16-18X1 White  
Encapsulated Head.

### QUICK PATCH FRP REPAIR

**Part No. QP300-QT (Quart)**

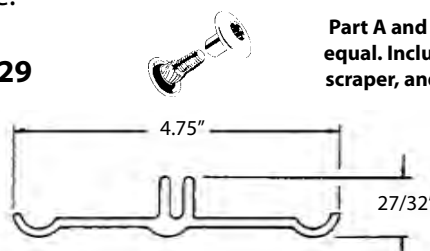
- Easy to use.
- One step repair for scrapes and gouges.
- Can be sanded and/or painted.
- Repairs surface damage to reefer liners to maintain sanitary standards.
- Bonds and seals plugs for major repair to FRP trailer sidewalls.

**Part A and Part B, mix equal. Includes gloves, scraper, and mix-stick.**



### FRP SPLICE

Aluminum, Vertical, 112" long  
**Part No. X6316X112**

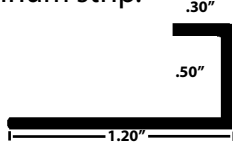


**KEY POLYMER**  
CORPORATION

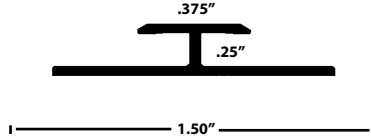


**TRAILER BODY PARTS - MISC.**

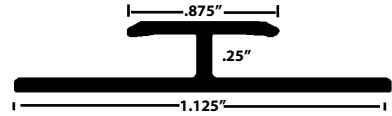
Part No. **X6138X120 (120")**  
Nose Rail Reinforcement.  
Aluminum strip.



Part No. **X6148X120 (120")**  
J Molding. Aluminum strip.



Part No. **X6152X108 (108")**  
**Plywood Divider**, aluminum



**Divider Strip (8')**  
Part No. **X213X96**  
(90-4-1666-0-112)



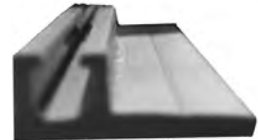
Part No. **90-4-996-626**  
Aluminum Scuff.  
12' strip.



Part No. **1164519 (700-514-31)**  
Roof Sheet reinforcement.  
50' roll. .040 aluminum, 1.62 width.



Part No. **98131**  
Single Wire Track.  
Plastic. 7/8" wide. 115" long.



**LIFT PADS - Galvanized**  
Part No. **LIFTPAD-120 (10')**  
Part No. **LIFTPAD-60 (5')**



**REEFER PARTS - HYUNDAI**

KAZOO - Drain Valve.  
Rubber. 2" x 5".  
Part No. **HY10009551**



Fitting Strain Relief.  
Part No. **HY10015353**



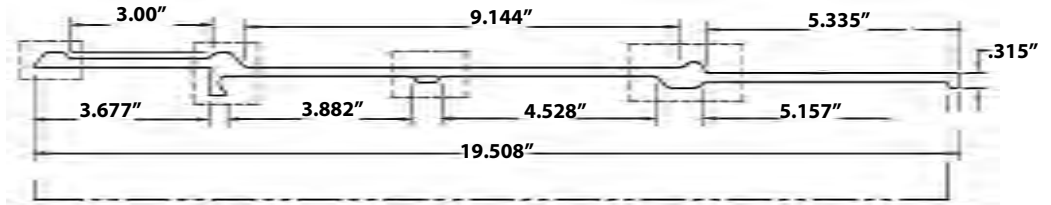
Drain Pipe. 2"  
01-008.  
Part No. **HY20013158**



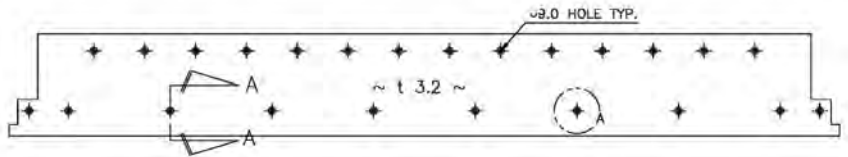


MISC BODY PARTS - HYUNDAI

**Part No.**  
**HYE11-026-6260**  
Scuff Plate Extension.  
Aluminum.



**Part No. HY20024888**  
Threshold Plate.  
Diamond. 12" x 1/8"



**Part No. HY20057787**  
Threshold Plate.  
Diamond. 95-5/8" width.  
11-5/8" length. Holes on 7" centers.

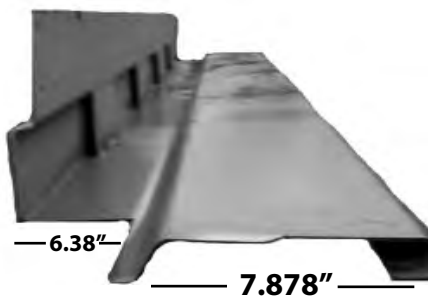
**Part No. HY20005166**  
Threshold Plate.  
Diamond. 82.38" width.  
2" length. Holes on 4" centers.



**Part No. HY20069281**  
GUARD STEP - with tread holes.  
210-01044. Hot Dipped Gavlanized.  
95" length. 4 sides.  
With slip steps each end.  
Reflective tape area indented.



**Hyundai Top Front Panel**  
101.50" **Part No. HY20034476**



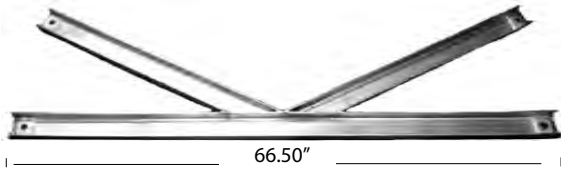


**K-BRACE ASSEMBLIES**

**Hyundai K Brace Assembly**

**Part No. HY20014085**

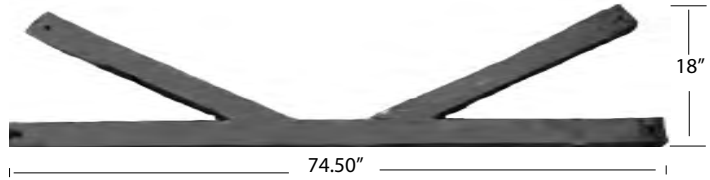
Hot Dipped Galvanized. 206-06001



**Hyundai K Brace Assembly**

**Part No. HY20017107**

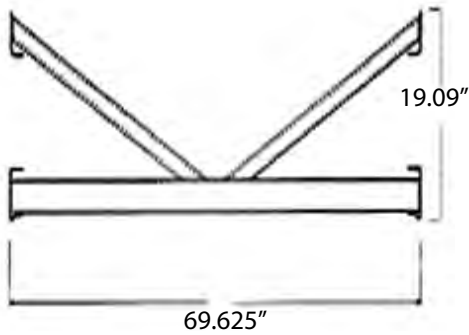
Primed. 206-06001



**K-Brace For 102" Trailer**

**Part No. 4-A8-9-1**

Trailmobile



**K-Brace For 96" Trailer**

**Part No. 4-A8-9**

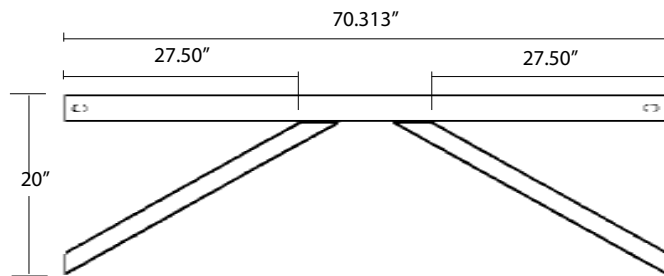
Trailmobile - 96" also available.



**Univeral K-Brace For 102" Trailer**

**Part No. 1190660**

Wabash Style. Primed Black. With Holes.





## ICC BUMPERS - HYUNDAI

### Hyundai ICC Bumper Assembly

3-10013. Bolt on top, rest is welded.

**Part No. HY20005893**



### Hyundai ICC Bumper Assembly

3-10010. Hot Dipped Galvanized (HDG)  
Bolt on top, rest is welded.

**Part No. HY20010255**



### Hyundai ICC Bumper Assembly

3-10039. Hot Dipped Galvanized (HDG)  
Bolt on top, rest is welded.

**Part No. HY20013907**



### Hyundai ICC Bumper Assembly

3-10044. Bolt on top, rest is welded.  
Slip stop on ends.

**Part No. HY20017394**



### Hyundai ICC Bumper Assembly

3-10044. Hot Dipped Galvanized (HDG)  
Bolt on top, rest is welded.

Slip stop on ends.

**Part No. HY20017394G1**



### Hyundai ICC Bumper Assembly

3-10052. Bolt on top, rest is welded.

**Part No. HY20018658**



### Hyundai ICC Bumper Assembly

3-10060. Bolt on top, bolt on brackets,  
rest is welded.

**Part No. HY20023032**







## ICC BUMPERS - HYUNDAI

### Hyundai ICC BOLSTER

CFB-701-01. Front.

**Part No. HY20026082**



### Hyundai ICC BOLSTER

CRB-709. Rear.

**Part No. HY20026083**



### Hyundai ICC Bumper Assembly

3-10072. Bolt on top, rest is welded.

Slip step knobs on ends.

**Part No. HY20027830**



### Hyundai ICC Bumper Assembly

3-10075. (HDG)Hot Dipped Galvanized.

Bolt on top, rest is welded.

Slip stop on one end.

**Part No. HY20032226**



### Hyundai ICC Bumper Assembly

3-10060. BOLT ON. Slip stop both ends.

(HDG)Hot Dipped Galvanized

**Part No. HY20033435**



### Hyundai ICC Bumper Assembly

3-10081 ALL ITEMS BOLT ON.

(HDG)Hot Dipped Galvanized

**Part No. HY20035327**



### Hyundai ICC Bumper Assembly

CIBJB-700. Bolt on top, rest is welded.

Slip step knobs on ends.

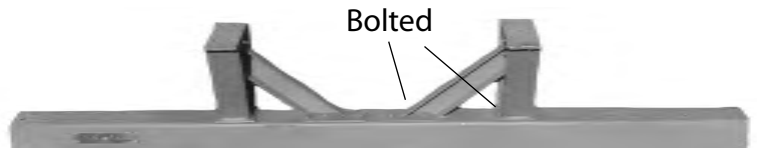
**Part No. HY20040788**





## ICC BUMPERS - HYUNDAI

**Hyundai ICC Bumper Assembly**  
CIB-508. Welded at top of upright.  
Bolt on to bumper at bracket and  
upright. Bolt on Top.  
**Part No. HY20044010**



**Hyundai ICC Bumper Assembly**  
CIB-501. Intermodal application.  
Bolt on top, rest is welded.  
**Part No. HY20045724**



**Hyundai ICC Bumper Assembly**  
3-10044. Bolt on top, rest is welded.  
**Part No. HY20047682**



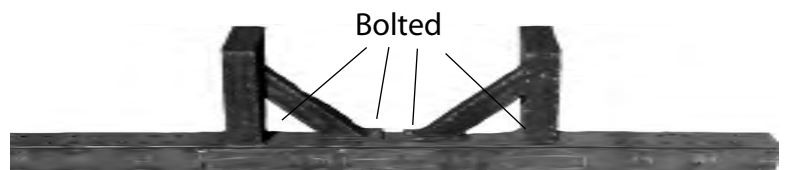
**Hyundai ICC Bumper Assembly**  
3-10106. Bolted where noted.  
Rest is welded. Bolt on Top.  
**Part No. HY20052063**



**Hyundai ICC Bumper Assembly**  
3-10096. Bolt on top, rest is welded.  
**Part No. HY20054516**



**Hyundai ICC Bumper Assembly**  
CIB-515. Bolted where noted.  
Rest is welded. Bolt on Top.  
**Part No. HY20058457**





## ICC BUMPERS - HYUNDAI

### Hyundai ICC Bumper Assembly

3-10146. Welded. Bolt on Top.

**Part No. HY20069053**



### Hyundai ICC Bumper Assembly

Hot Dipped Galvanized (HDG)

Slip stops on each end.

Welded. Bolt on Top.

**Part No. HYVT4400GXX02901**



### Hyundai ICC Bumper Assembly

Bolt on top, rest is welded.

**Part No. HYVT4400GXX11102**



### Hyundai ICC Bumper Assembly

Hot Dipped Galvanized (HDG)

Bolted where noted.

Rest is welded. Bolt on Top

**Part No. HYVT4400NXX04201**



### Hyundai ICC Bumper Assembly

Galvanized.

Welded. Bolt on Top.

Slip stop on both ends.

**Part No. HYVT4400TXX12001**



### Hyundai ICC Bumper Assembly

Hot Dipped Galvanized (HDG)

Bolted where noted.

Rest is welded. Bolt on Top.

Slip stop on end.

**Part No. HYVT4400TXX17701**





**ICC BUMPERS - TRAILMOBILE**

**Trailmobile ICC Bumper Guard**  
Galvanized. 102.38" With Tape.  
For 3" crossmember. Uprights 15.5"  
**Part No. 9011-0-553B-16G35**



**Trailmobile ICC Bumper Guard**  
Galvanized. 102.38" With Tape.  
For 4" crossmember. 15.5" uprights  
**Part No. 9011-0-553B-16G45**



**Trailmobile ICC Bumper Guard**  
Primed. 102.38" With Tape.  
For 3" crossmember. 15.5" uprights.  
**Part No. 9011-0-553B-16H35**



**Trailmobile ICC Bumper Guard**  
Primed. 102.38" With Tape.  
For 4" crossmember. 15.5" uprights  
**Part No. 9011-0-553B-16H45**



**Trailmobile ICC Bumper Guard**  
Galvanized. 102.38" With Tape.  
For 4" crossmember. 17.5" uprights  
**Part No. 9011-0-553B-18G45**



**ICC BUMPER ASSEMBLY - STRICK (Assemblies Only)**

**Strick ICC Bumpers are Special Order.**  
**A form needs to be filled out to ensure**  
**proper O.E. fit and function.**



**STRICK Trailer  
ICC Bumper Order Form**

• Dealer Name \_\_\_\_\_ Acct # \_\_\_\_\_ PO # \_\_\_\_\_  
Ship to \_\_\_\_\_ Contact \_\_\_\_\_

VIN # of unit Bumper to be installed \_\_\_\_\_  
Trailer owner/company \_\_\_\_\_ Location \_\_\_\_\_  
Trailer domiciled US or Canada (please circle one)

Ship direct (plus freight) \_\_\_ or NLDS shipment \_\_\_ (mark one)  
Part # \_\_\_\_\_ Price \_\_\_\_\_

Signature \_\_\_\_\_ Date \_\_\_\_\_





## ICC BUMPER ASSEMBLY - AFTERMARKET VERSION (D.O.T. APPROVED)

The **Uni-Guard bumper** is designed to mount easily to all semi-trailers with tandem slider rails. Once mounted, the UniGuard provides a solid adjustable rear guard that is within DOT compliance.

**Uni-Guard** is a "one size fits all" bumper. The bumper design allows for easy installation upon removal of the existing bumper. Few bolts to remove if the Uni-Guard bumper is damaged and needs to be replaced in the future!

### Boxed Kit - Uprights only

**Part No. TFT2000**

(Includes DOT sticker.)



Part No. TFT2000

### Upright Kit + Tube Bumper

Includes TFT2000 and TB-0273-07U8N001D

**Part No. TFT2000-KIT**



Part No. TFT2000-KIT



Part No. TFT2000-KIT  
"View from Front"



Part No. TFT2000-KIT  
"View from Rear"

**Part No. TFT2000-KIT**  
**(Upright kit and Tube)**

### TUBE BUMPER

Roll formed, 4", steel safety bumper tube for trailers. 94" long. Tube is constructed from 80,000 yield high strength steel. It has a full penetration weld for long life, and a 2" inset area that protects reflective tape that is applied. Also included is a safety grip surface that reduces the risk of slipping.

**Part No. TB-0273-07U8N001D**



**IMPORTANT:** The HOLLAND Bumper Tube is sold to original equipment trailer manufacturers and to the trailer aftermarket for use as the horizontal structural member of a trailer's Rear Impact Guard. This Rear Impact Guard is required under federal law in both the U.S. and Canada. It is the responsibility of the installer of the HOLLAND Bumper Tube to insure that it and the complete Rear Impact Guard assembly is installed per the trailer manufacturer specifications and complies with any and all state/provincial and federal laws and regulations. In the U.S., Rear Impact Guards are regulated under Federal Motor Vehicle Safety Standards FMVSS 223/224 and Federal Motor Carrier Safety Regulation FMCSR 393.86. In Canada, they are regulated by Motor Vehicle Safety Act Standard 223.

**WARNING:** Failure to install new bumper tubes in accordance with applicable vehicle manufacturers' and government requirements could result in inadequate rear impact guard, which if not avoided, could result in death or serious injury.

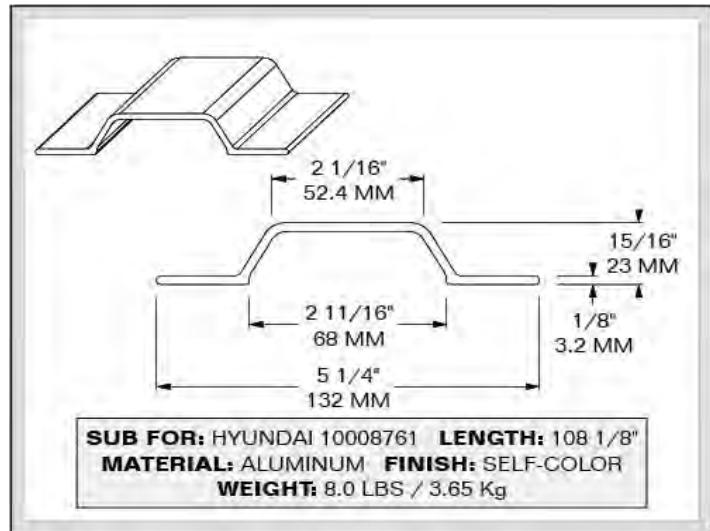


## INTERMODAL BODY PARTS - CONTAINER - POSTS

### Part Number 1016101

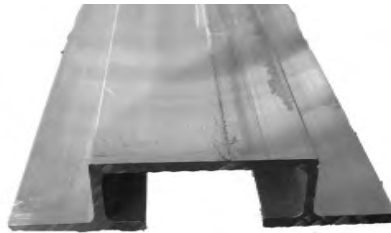
1314-2852

**Aluminum Side Post  
(Capping Post =  
Part No. 1016103)**



### Part Number 1016102

**Side post - aluminum 5" x 110".  
(Capping post = 1016110)**

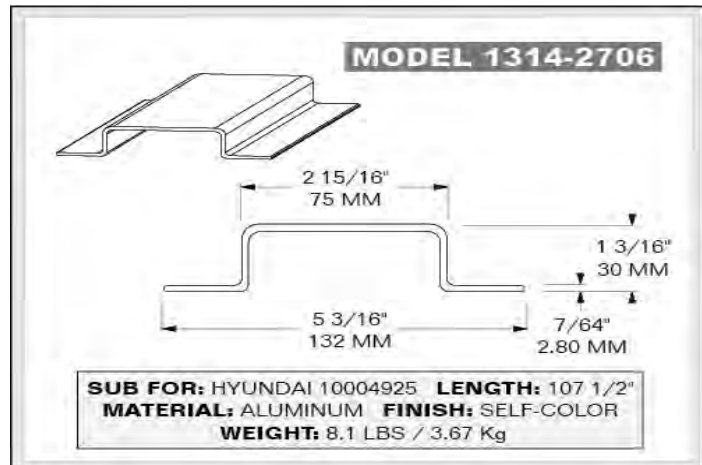


### Part Number 1016104

**Beveled Stoughton side post**

### Part Number 1016108

**Aluminum side post  
(Capping Post =  
Part No. 1016106)**



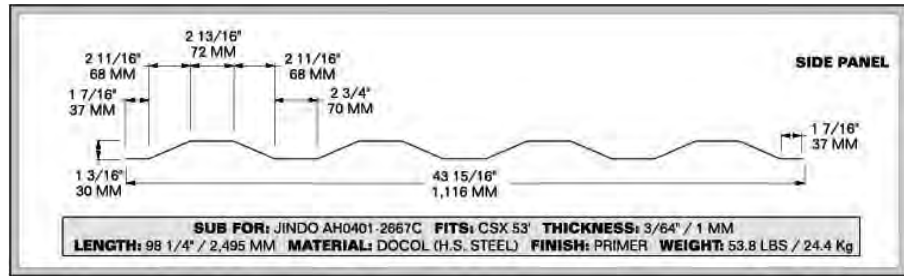


## INTERMODAL BODY PARTS - CONTAINER - SIDE PANELS

### Part Number 1016105

1201-6883

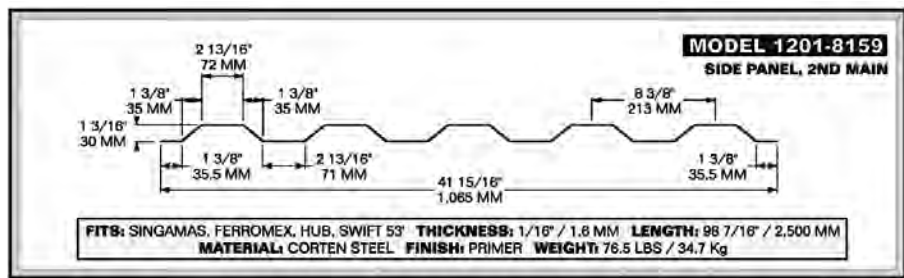
Side panel. Steel.



### Part Number 1016107

1201-8159

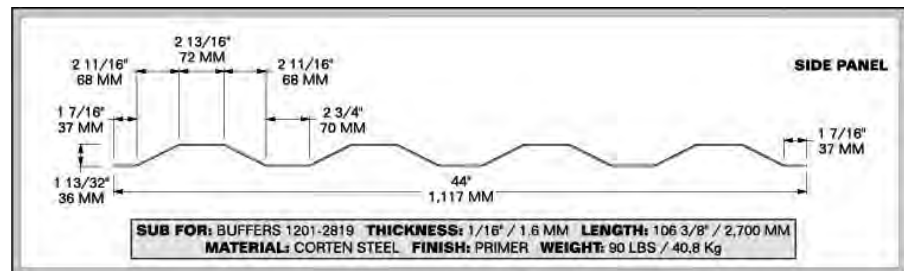
Side panel. Steel.



### Part Number 1016109

1201-6399

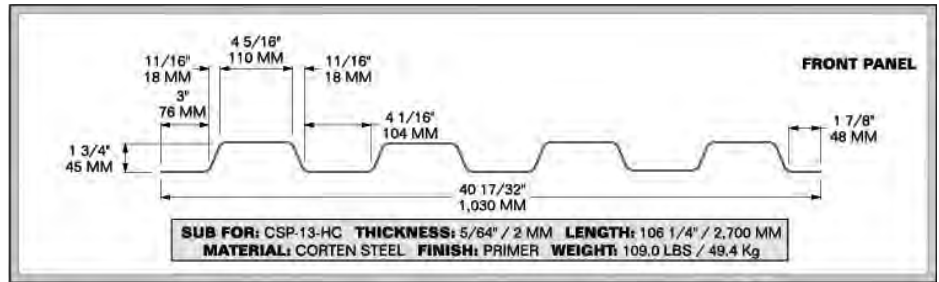
Side panel. Steel.



**INTERMODAL BODY PARTS - CONTAINER - NOSE PANELS - STARTER POST****Part Number 1016124**

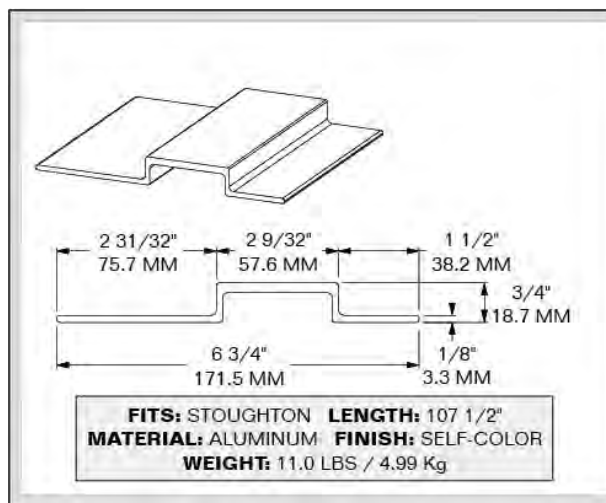
1201-2230

Nose Panel, Steel

**Part Number 1016125**

1314-7474

Starter Post

**Left Blank for future part number expansion. NOTES:**



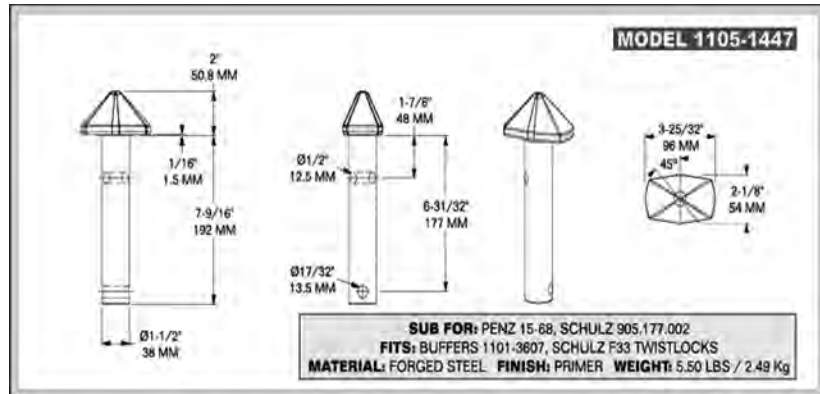


## INTERMODAL - CHASSIS - TWIST LOCK PINS

### Part Number 1310420

1105-1447

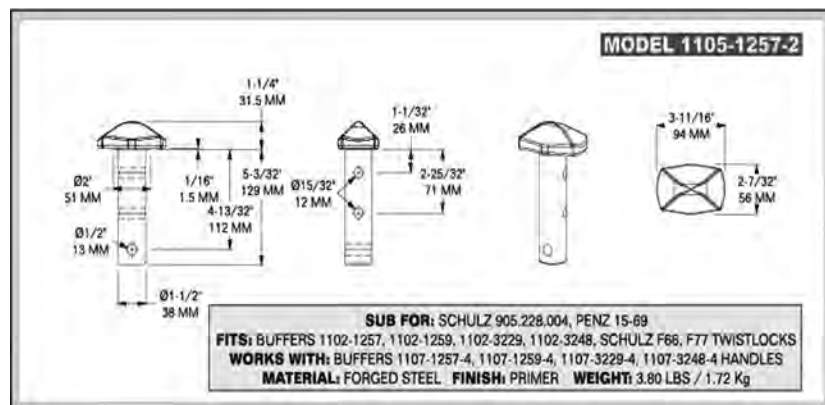
Twist Lock Pin



### Part Number 1310421

1105-1257-2

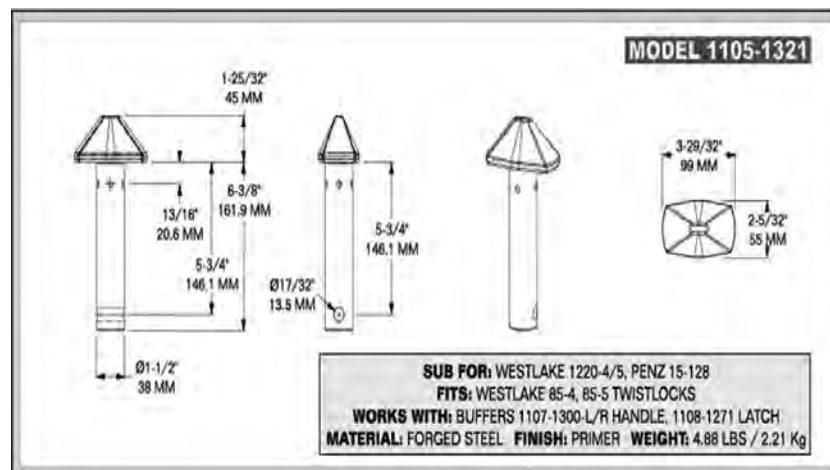
Twist Lock Pin



### Part Number 1310427

1105-1321

Twist Lock Pin

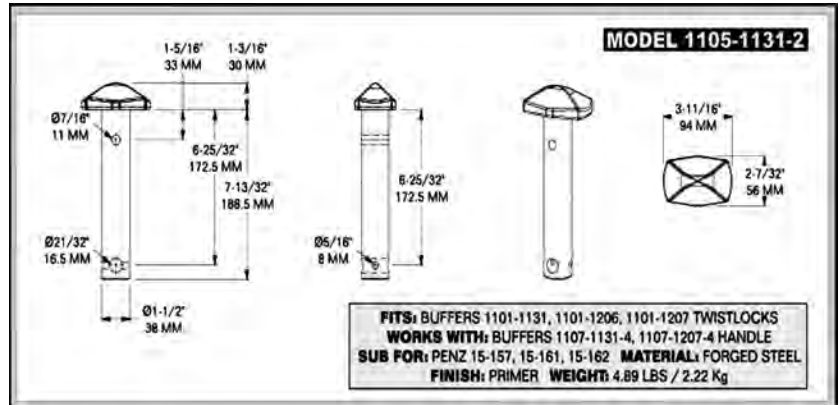




## INTERMODAL - CHASSIS - TWIST LOCK PINS

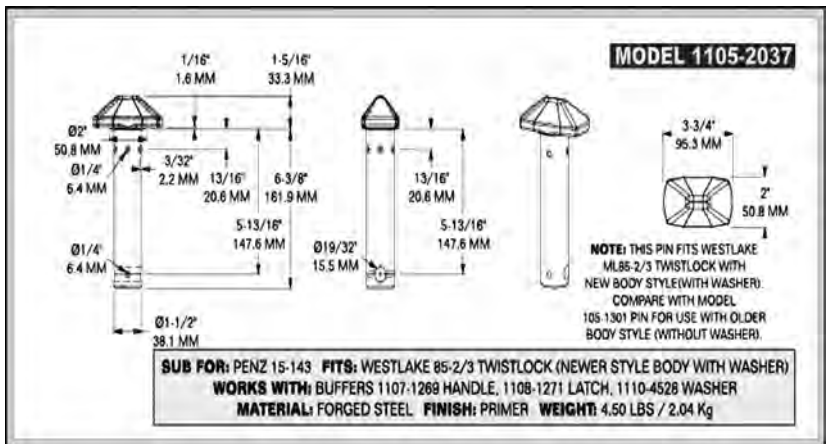
### Part Number 1310484

1105-1131-2  
Twist Lock Pin



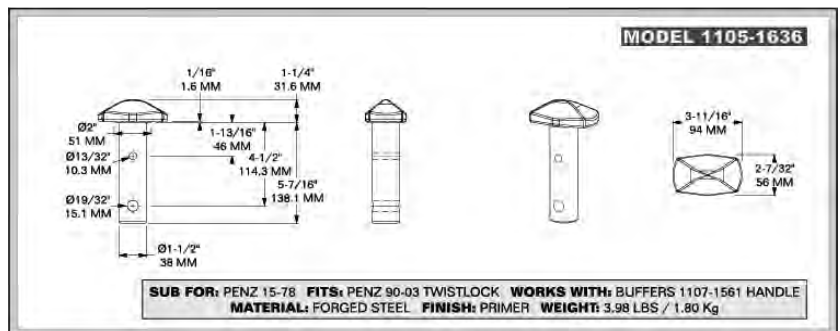
### Part Number 1310492

1105-2037  
Twist Lock Pin



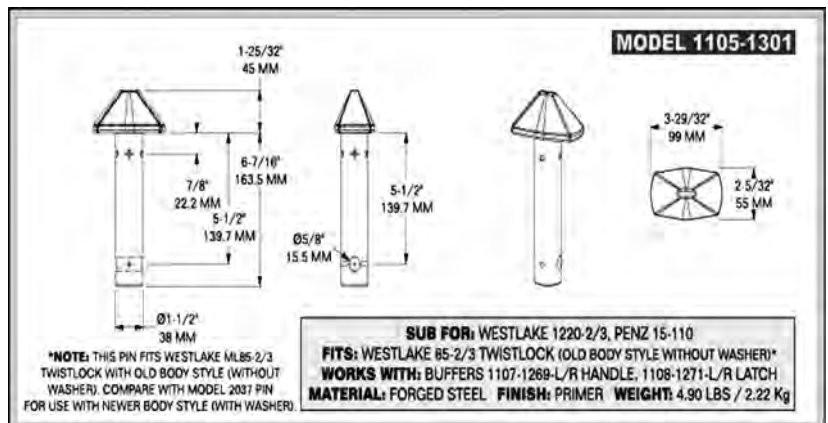
### Part Number 1310505

1105-1636  
Twist Lock Pin



### Part Number 1310506

1105-1301  
Twist Lock Pin

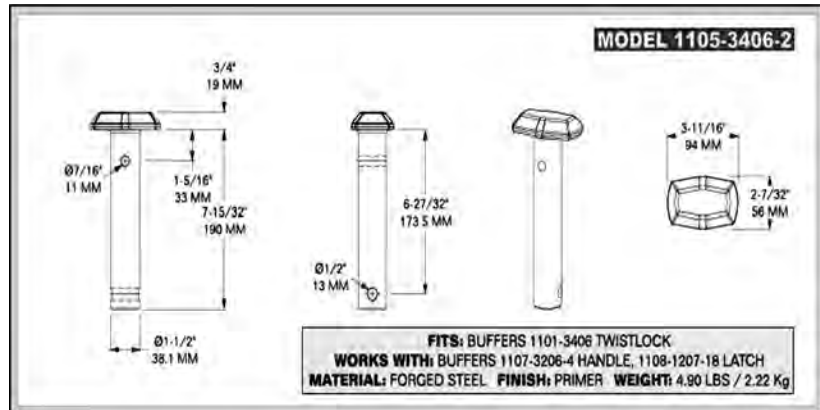




## INTERMODAL - CHASSIS - TWIST LOCK PINS

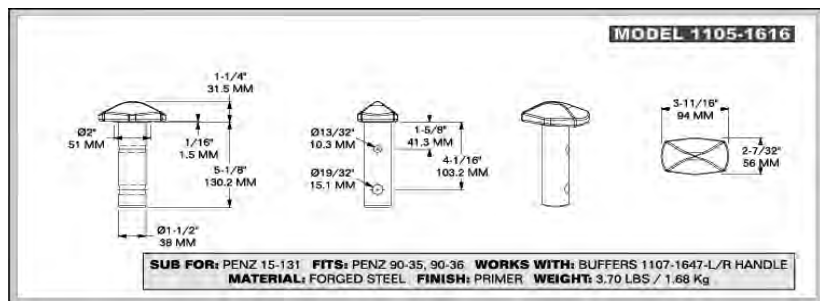
### Part Number 1310568

1105-3406-2  
Twist Lock Pin



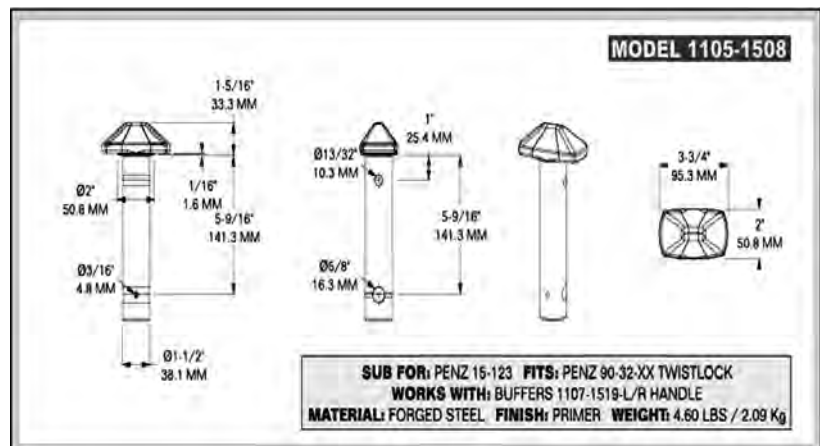
### Part Number 1310586

1105-1616  
Twist Lock Pin



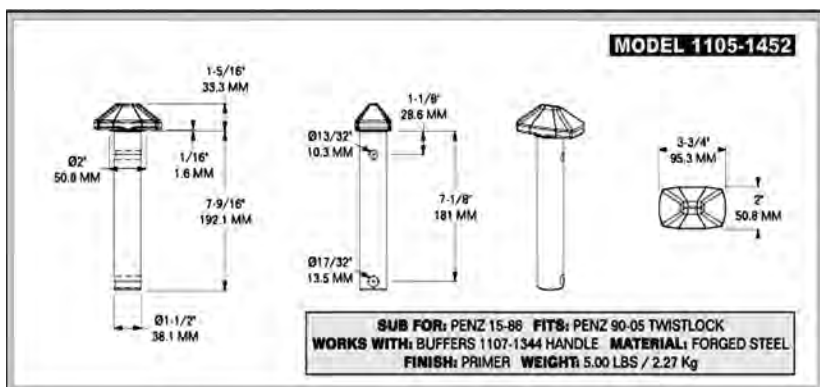
### Part Number 1310594

1105-1508  
Twist Lock Pin



### Part Number 1310595

1105-1452  
Twist Lock Pin



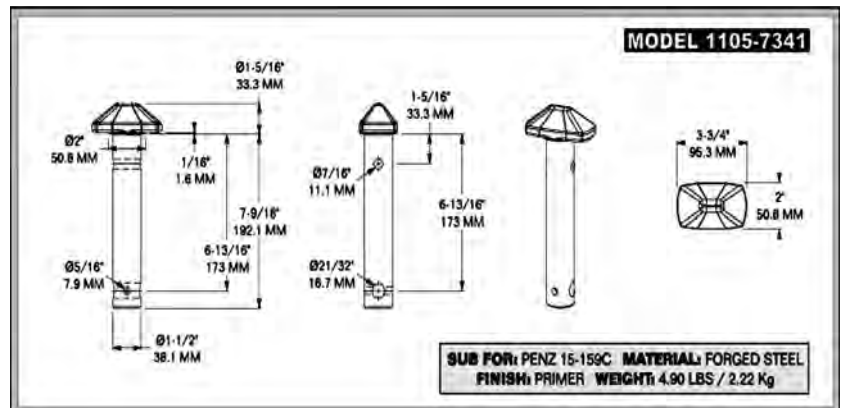


## INTERMODAL - CHASSIS - TWIST LOCK PINS

### Part Number 1310609

1105-7341

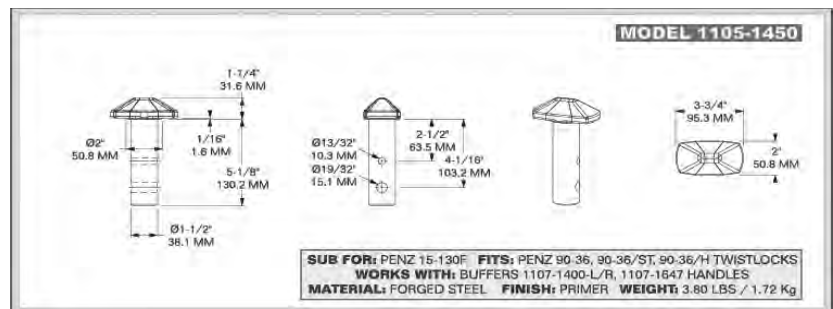
Twist Lock Pin



### Part Number 1310610

1105-1450

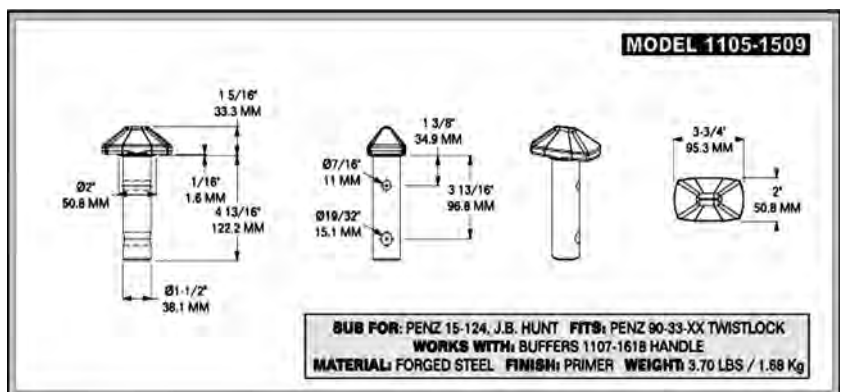
Twist Lock Pin



### Part Number 1310611

1105-1509

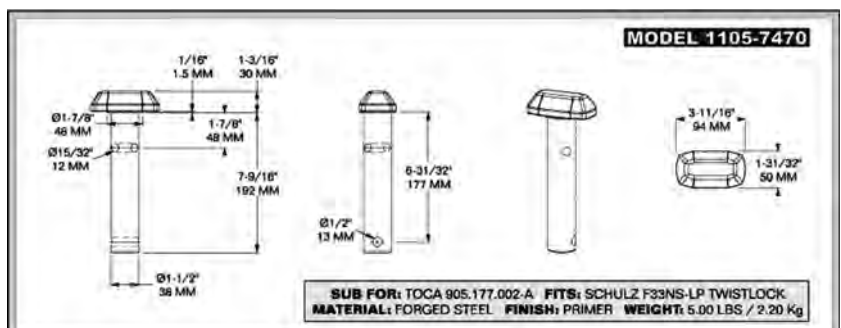
Twist Lock Pin



### Part Number 1310619

1105-7470

Twist Lock Pin



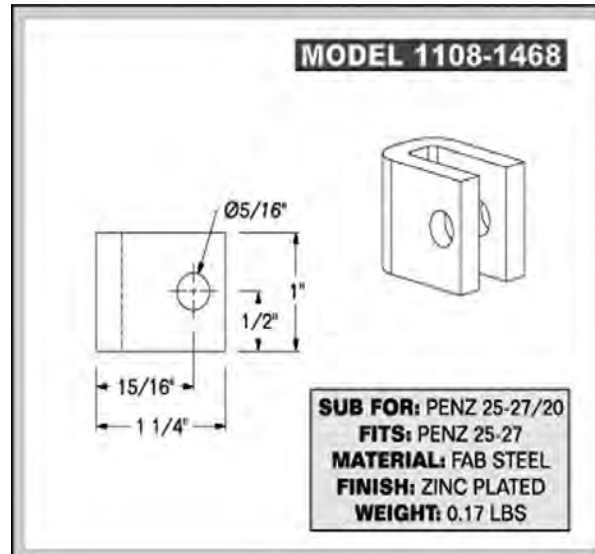


## INTERMODAL - CHASSIS - BRACKETS

### Part Number 1310550

1108-1468

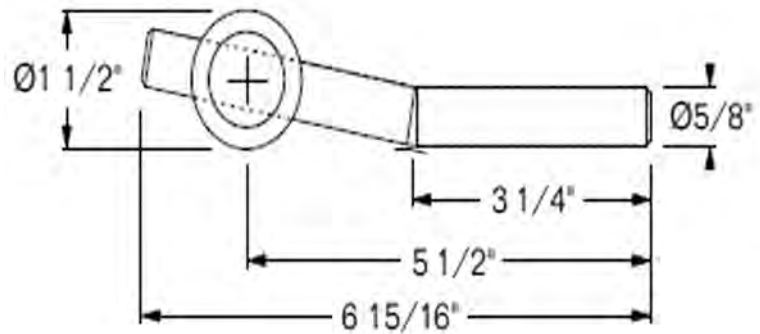
Twist Lock Handle Keeper Bracket



### Part Number 1310581

1110-1417-1-A

Twist Lock Handle Keeper Bracket



**Left Blank for future part number expansion. NOTES:**

**INTERMODAL - CHASSIS - TWIST LOCK HANDLES****Part Number 1310425**

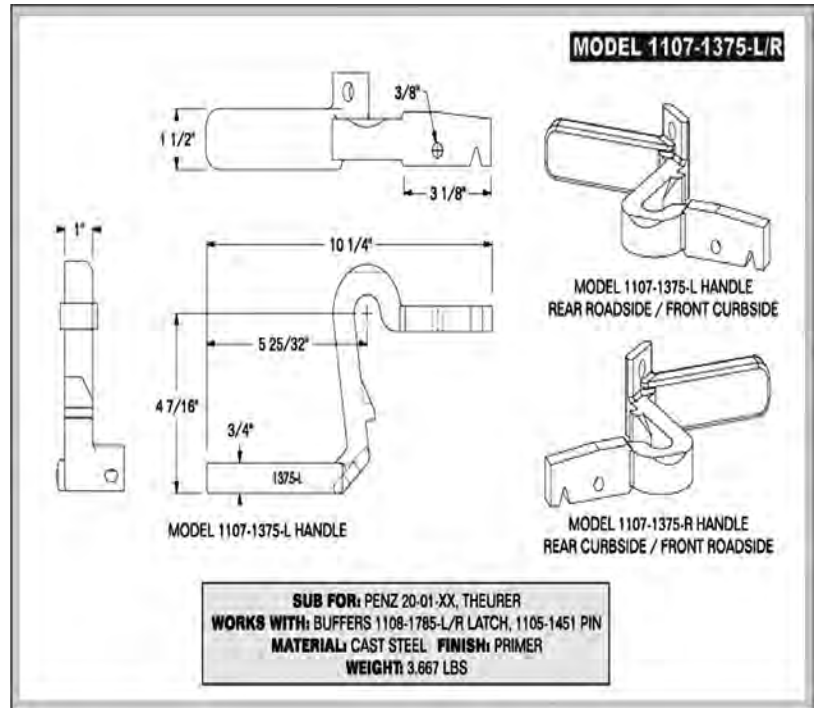
1107-1375-L

Twist Lock Handle

**Part Number 1310424**

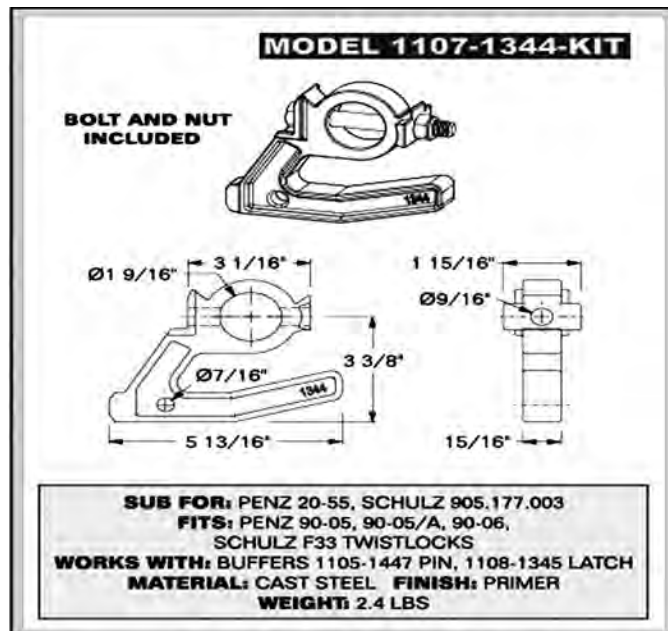
1107-1375-R

Twist Lock Handle

**Part Number 1310447**

1107-1344-KIT

Twist Lock Handle





## INTERMODAL - CHASSIS - TWIST LOCK HANDLES

### Part Number 1310442

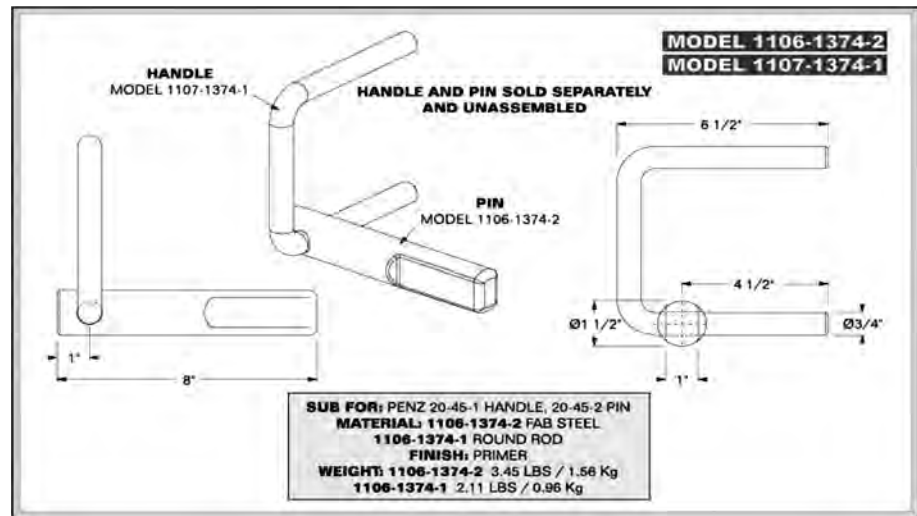
1107-1374-1

Twist Lock Handle

### Part Number 1310443

1107-1374-2

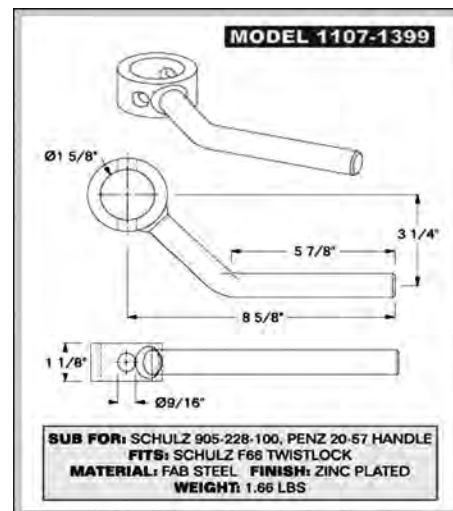
Twist Lock Pin



### Part Number 1310449

1107-1399

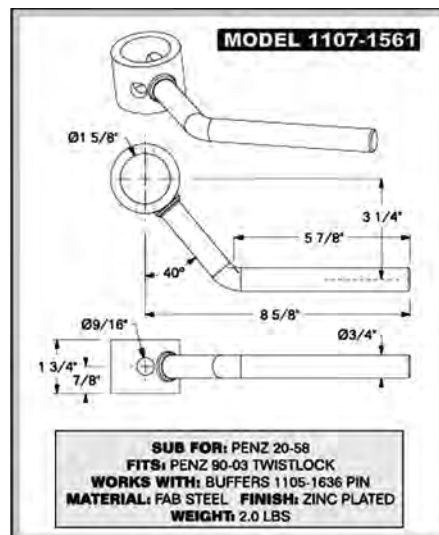
Twist Lock Handle



### Part Number 1310450

1107-1561

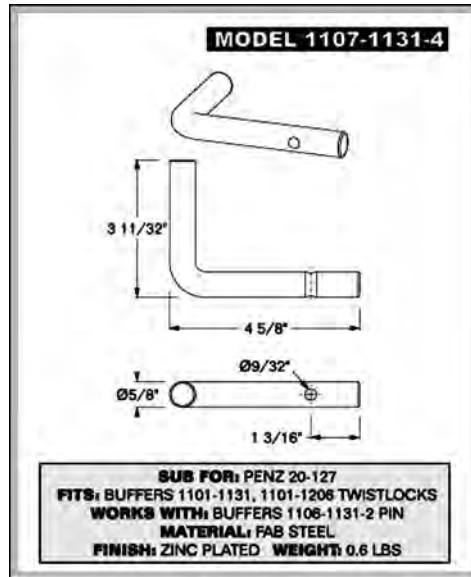
Twist Lock Handle



**INTERMODAL - CHASSIS - TWIST LOCK HANDLES****Part Number 1310452**

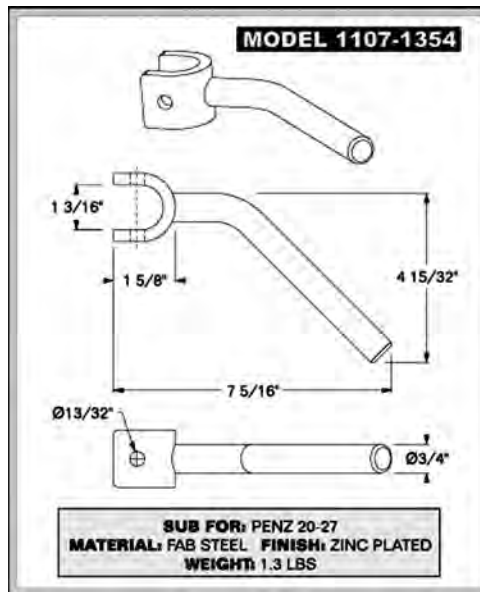
1107-1131-4

Twist Lock Handle

**Part Number 1310453**

1107-1354

Twist Lock Handle







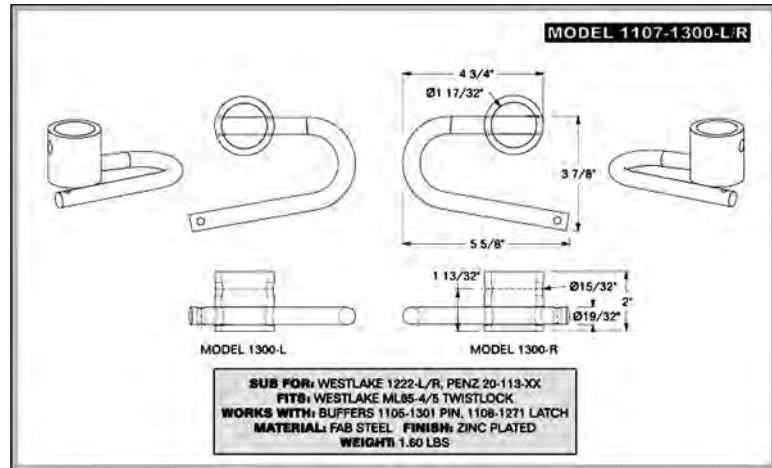
## INTERMODAL - CHASSIS - TWIST LOCK HANDLES

### Part Number 1310471

1107-1300-L  
Twist Lock Handle LH

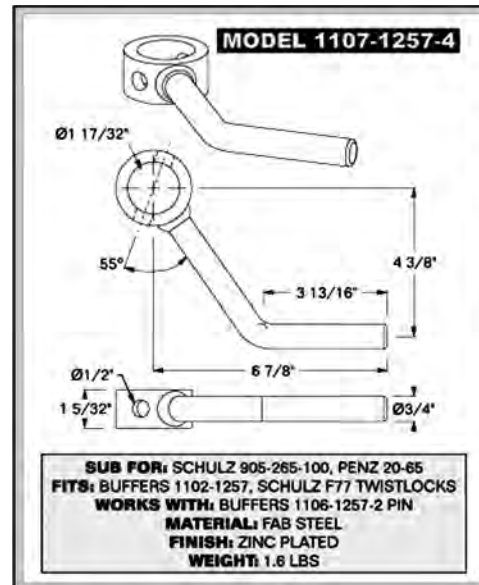
### Part Number 1310472

1107-1300 - R  
Twist Lock Handle RH



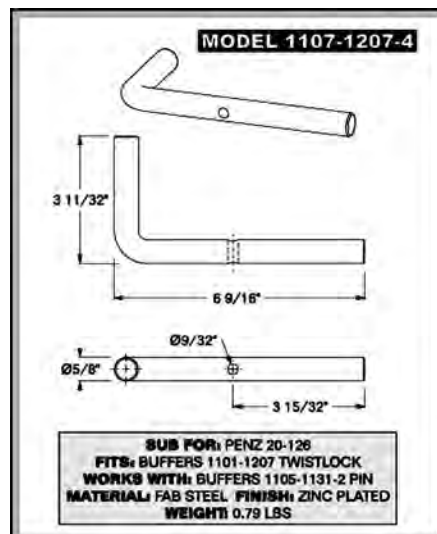
### Part Number 1310475

1107-1257-4  
Twist Lock Handle



### Part Number 1310483

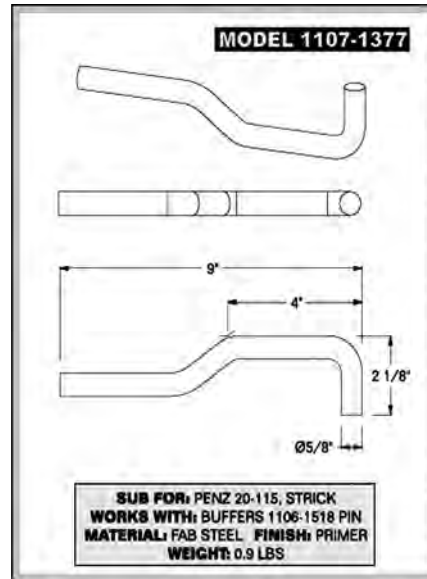
1107-1207-4  
Twist Lock Handle



**INTERMODAL - CHASSIS - TWIST LOCK HANDLES****Part Number 1310498**

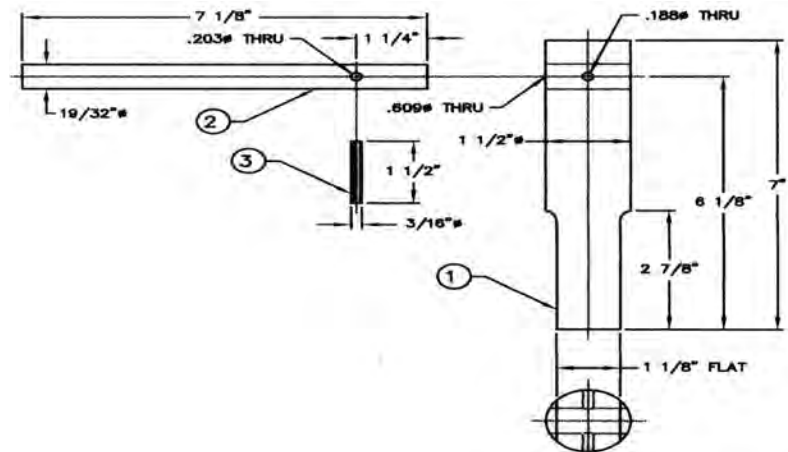
1107-1377

Twist Lock Handle

**Part Number 1310508**

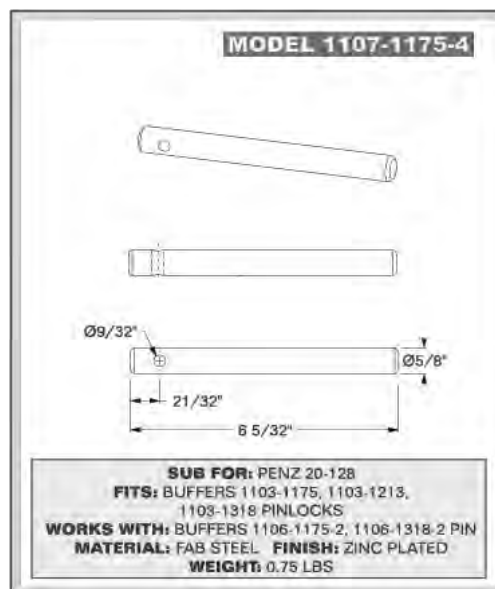
1107-1341

Twist Lock Handle

**Part Number 1310572**

1107-1175-4

Twist Lock Handle

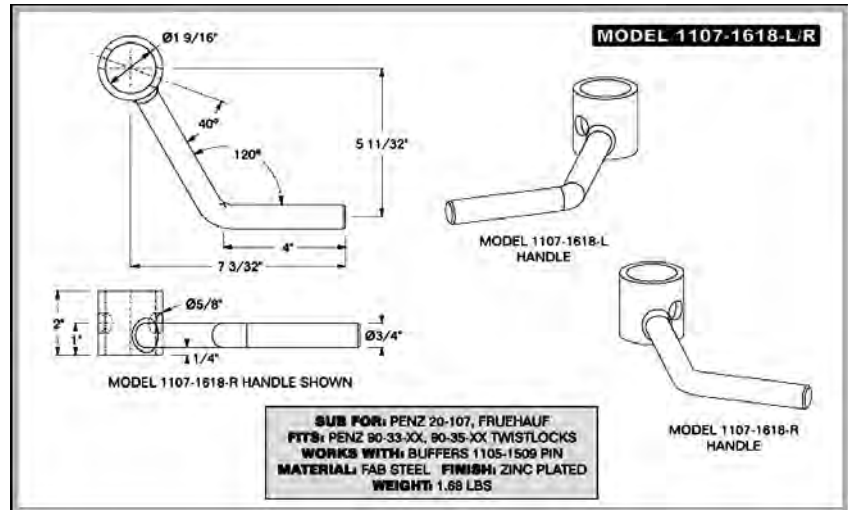




## INTERMODAL - CHASSIS - TWIST LOCK HANDLES

### Part Number 1310573

1107-3206-4  
Twist Lock Handle

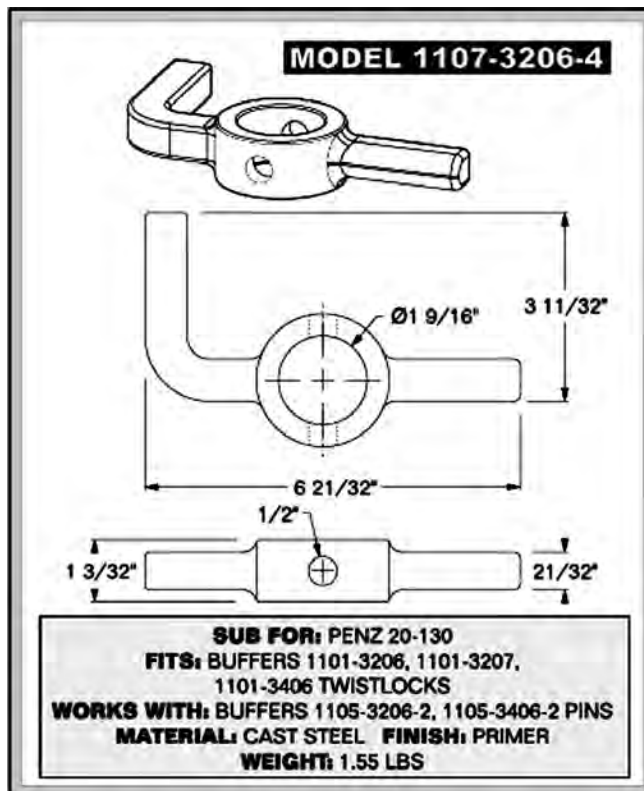


### Part Number 1310584

1107-1618-L  
Twist Lock Handle LH

### Part Number 1310585

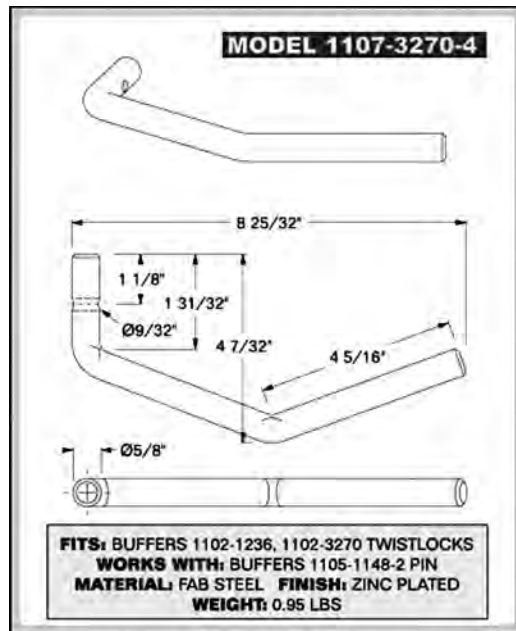
1107-1618-R  
Twist Lock Handle RH



**INTERMODAL - CHASSIS - TWIST LOCK HANDLES****Part Number 1310596**

1107-3270-4

Twist Lock Handle

**Part Number 1310607**

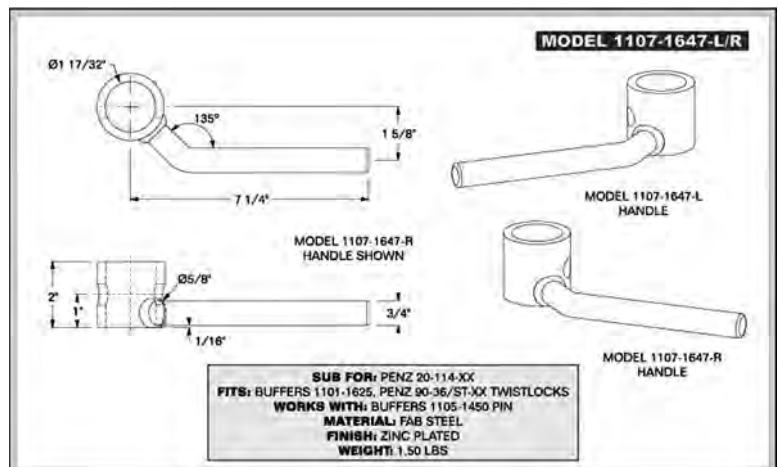
1107-1647-L

Twist Lock Handle LH

**Part Number 1310608**

1107-1647-R

Twist Lock Handle RH





## INTERMODAL - CHASSIS - TWIST LOCK HANDLES

### Part Number 1310612

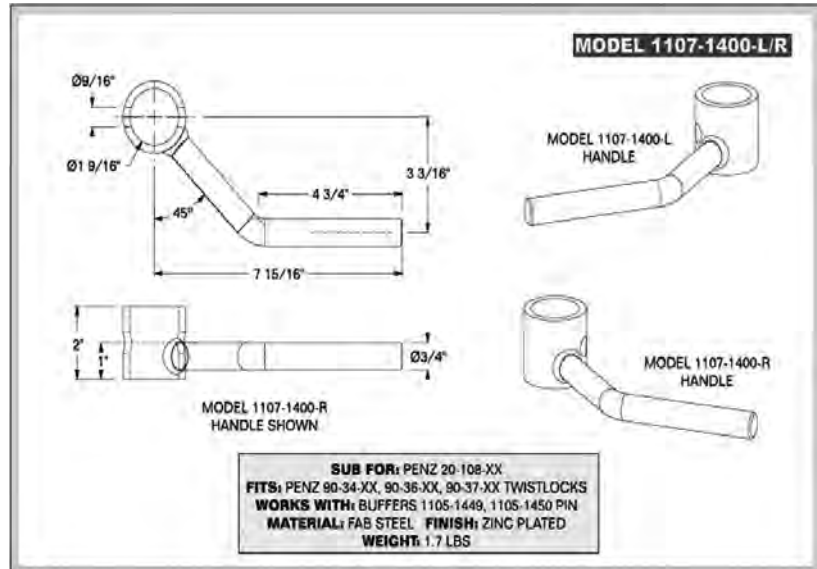
1107-1400-L

Twist Lock Handle LH

### Part Number 1310613

1107-1400-R

Twist Lock Handle RH



### Part Number 1310614

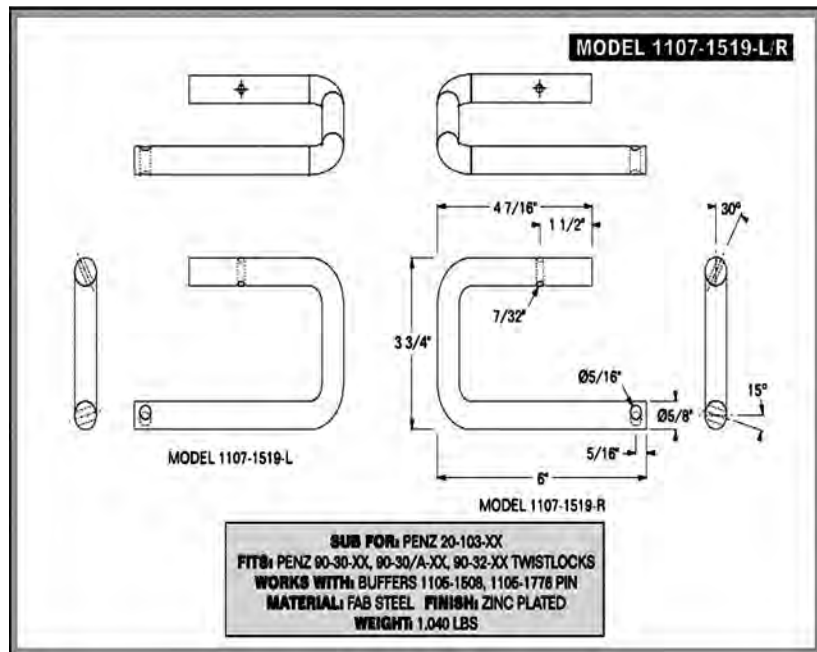
1107-1519-L

Twist Lock Handle LH

### Part Number 1310615

1107-1519-R

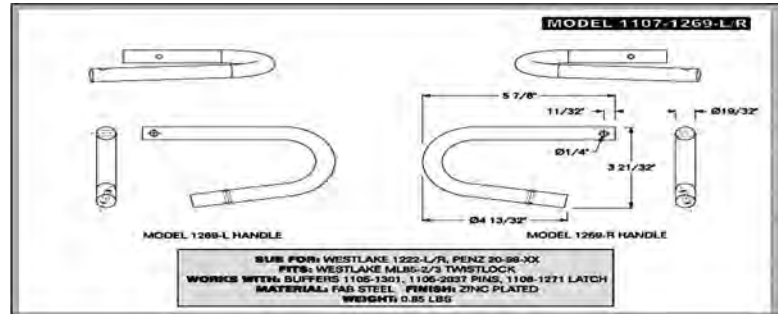
Twist Lock Handle RH



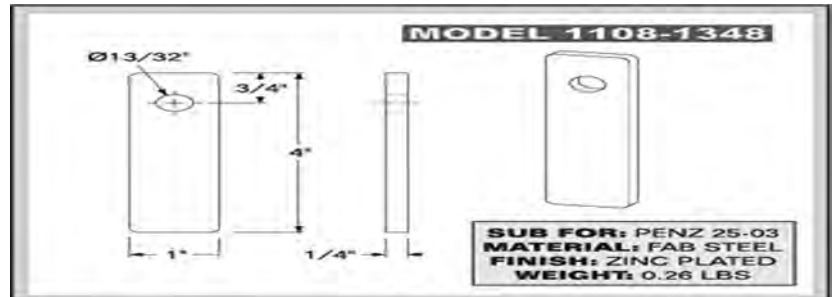


## INTERMODAL - CHASSIS - TWIST LOCK HANDLE KEEPERS

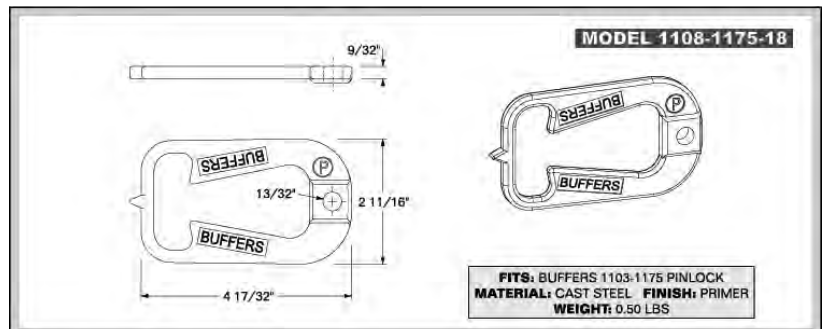
**Part Number 1310469 (left)**  
**Part Number 1310470 (right)**  
 1107-1269-L / R  
 Twist Lock Handle



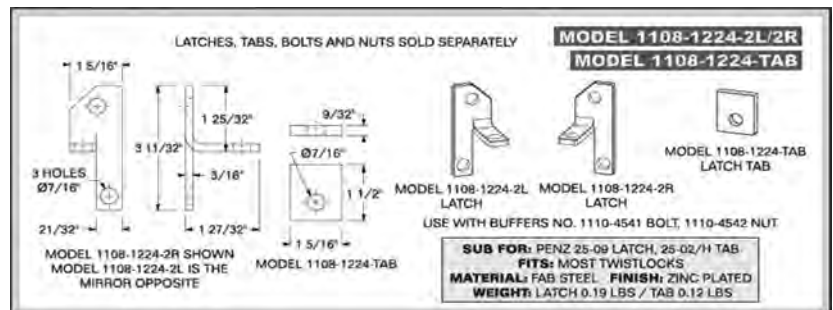
**Part Number 1310477**  
 1108-1348  
 Twist lock handle keeper



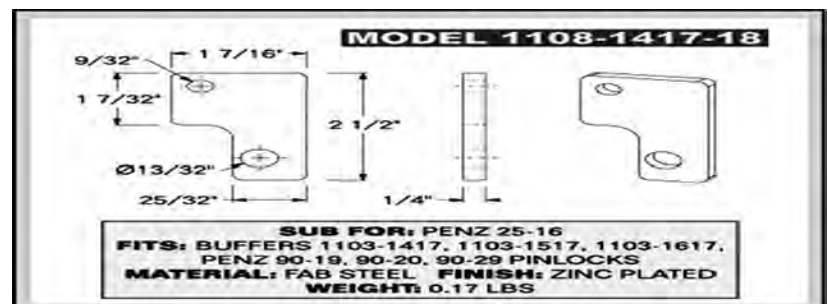
**Part Number 1310480**  
 1108-1175-18  
 Twist lock handle keeper



**Part Number 1310517 (Left)**  
**Part Number 1310518 (Right)**  
 1108-1224-2L / 2R  
 Twist lock handle keeper



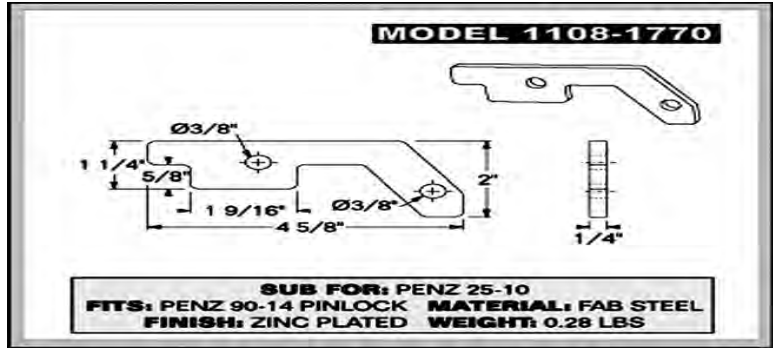
**Part Number 1310522**  
 1108-1417-18  
 Twist lock handle keeper



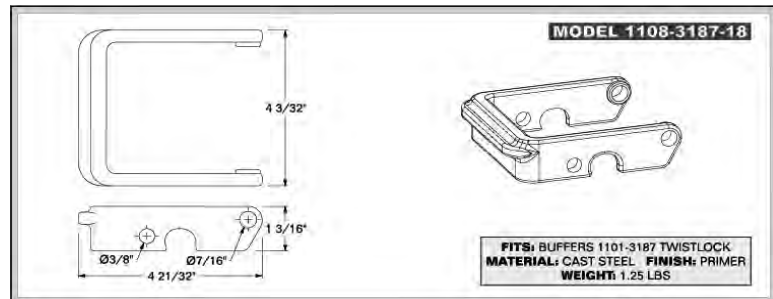


**INTERMODAL - CHASSIS - TWIST LOCK HANDLE KEEPERS**

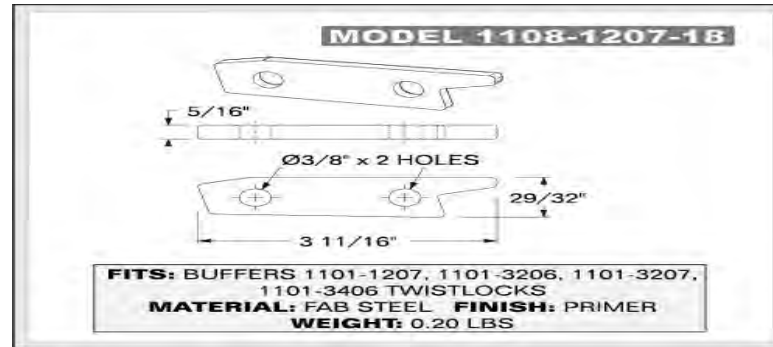
**Part Number 1310545**  
 1108-1770  
 Twist lock handle keeper



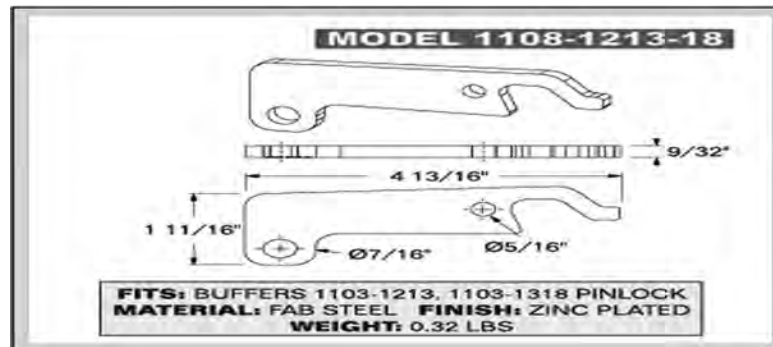
**Part Number 1310546**  
 1108-3187-18  
 Twist lock handle keeper



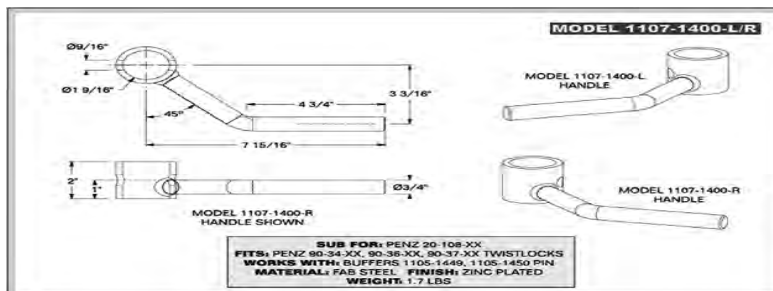
**Part Number 1310574**  
 1108-1207-18  
 Twist lock handle keeper



**Part Number 1310575**  
 1108-1213-18  
 Twist lock handle keeper



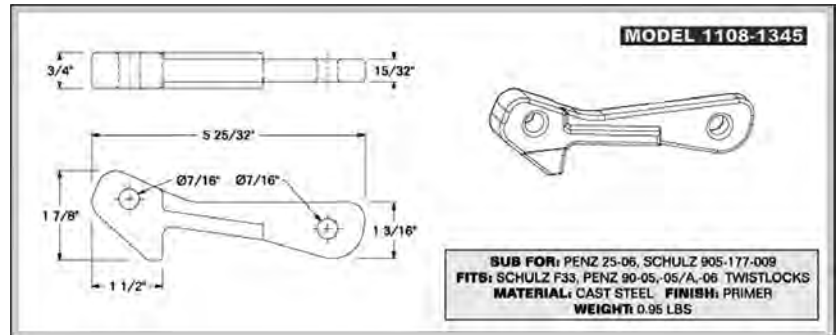
**Part Number 1310612 (left)**  
**Part Number 1310613 (right)**  
 1107-1400-L / R  
 Twist Lock Handle



**INTERMODAL - CHASSIS - TWIST LOCK LATCHES****Part Number 1310457**

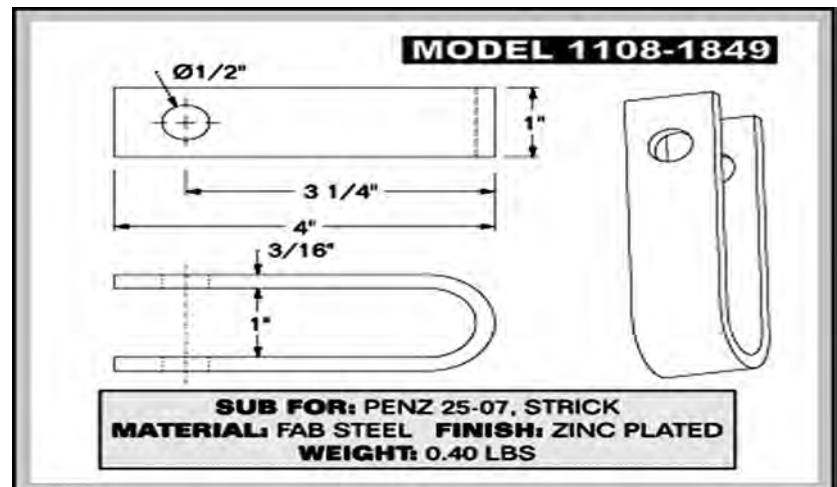
1108-1345

Twist Lock Latch

**Part Number 1310458**

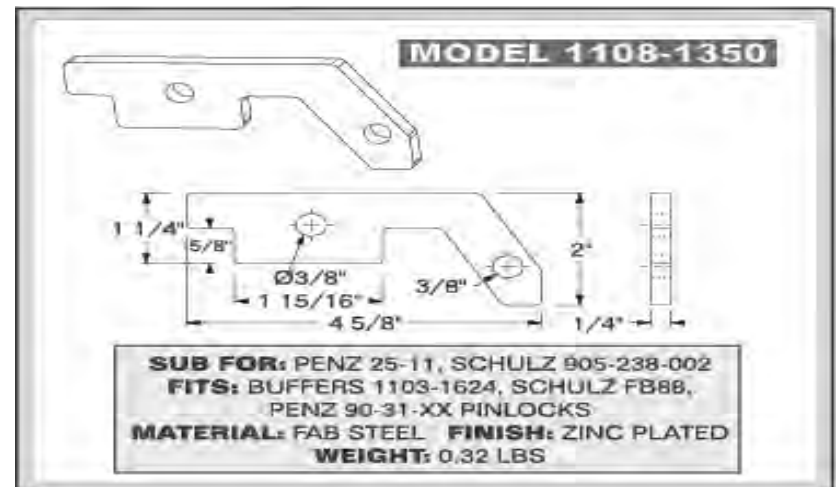
1108-1849

Twist Lock Latch

**Part Number 1310459**

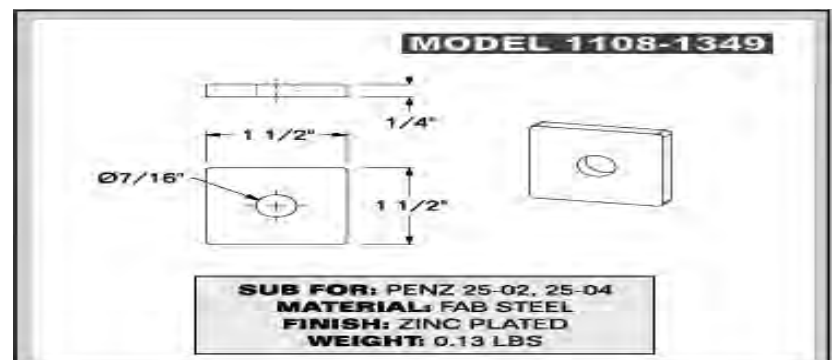
1108-1350

Twist Lock Latch

**Part Number 1310476**

1108-1349

Twist Lock Latch





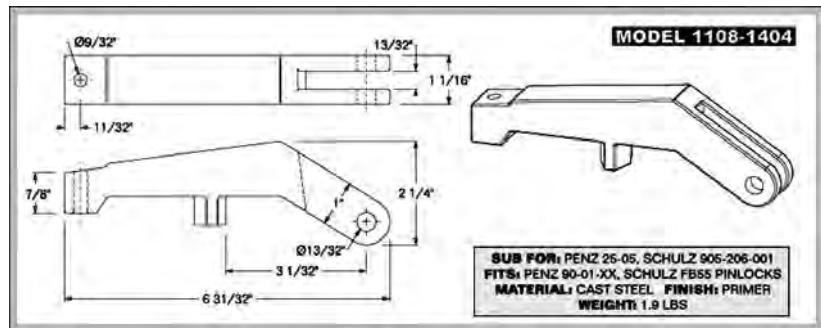


## INTERMODAL - CHASSIS - TWIST LOCK LATCHES

### Part Number 1310479

1108-1404

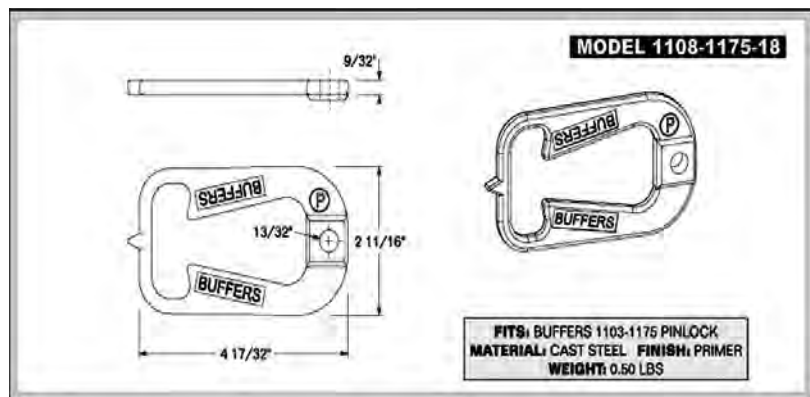
Twist Lock Latch



### Part Number 1310480

1108-1175-18

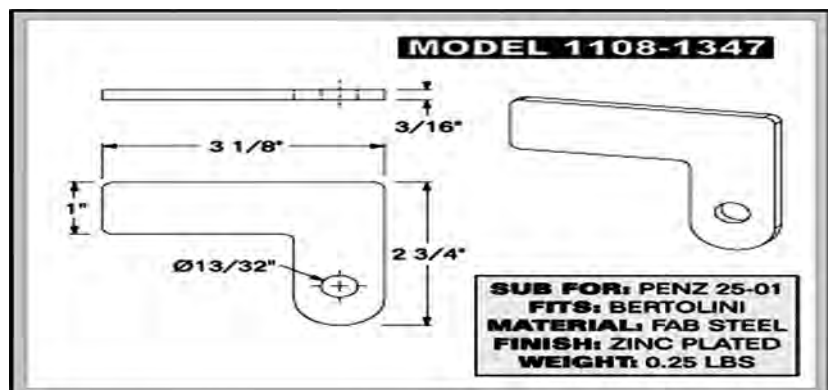
Twist Lock Latch



### Part Number 1310491

1108-1347

Twist Lock Latch

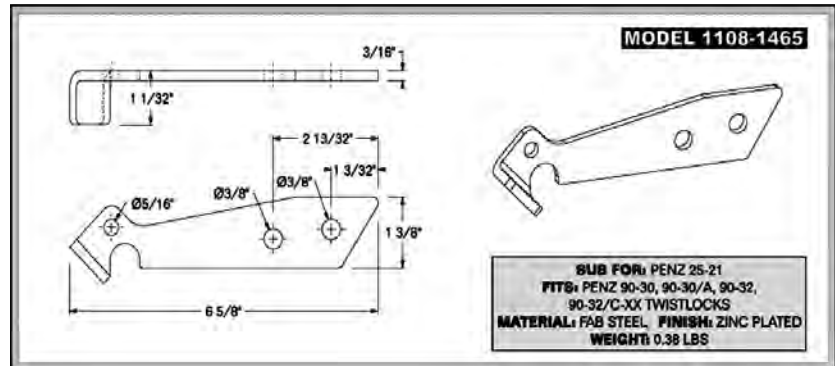




## INTERMODAL - CHASSIS - TWIST LOCK LATCHES

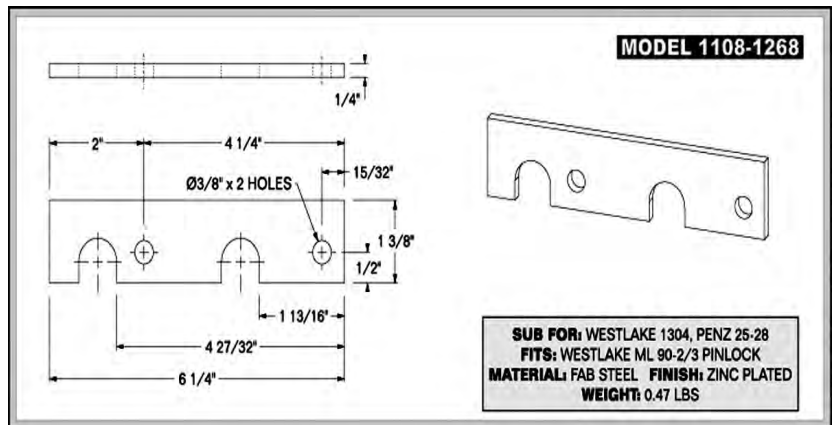
### Part Number 1310509

1108-1465  
Twist Lock Latch



### Part Number 1310510

1108-1268  
Twist Lock Latch



### Part Number 1310517

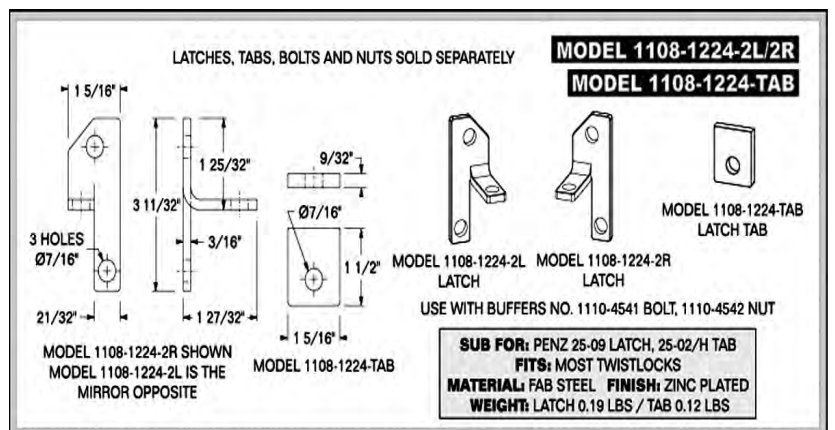
1108--1224-2L (LH)  
Twist Lock Latch

### Part Number 1310518

1108--1224-2R (RH)  
Twist Lock Latch

### Part Number 1310549

1108--1224-TAB  
Twist Lock Latch Tab





**INTERMODAL - CHASSIS - TWIST LOCK LATCHES**

**Part Number 1310545**

1108-1770

Twist Lock Latch

**MODEL 1108-1770**

**SUB FOR: PENZ 25-10**

**FITS: PENZ 90-14 PINLOCK MATERIAL: FAB STEEL**

**FINISH: ZINC PLATED WEIGHT: 0.28 LBS**

**Part Number 1310547**

1108-1131-18

Twist Lock Latch

**MODEL 1108-1131-18**

**FITS: BUFFERS 1101-1131, 1101-1206 TWISTLOCKS**

**MATERIAL: FAB STEEL FINISH: PRIMER**

**WEIGHT: 0.6 LBS**

**Part Number 1310549**

1108-1224-TAB

Twist Lock Latch

LATCHES, TABS, BOLTS AND NUTS SOLD SEPARATELY

**MODEL 1108-1224-2L/2R**

**MODEL 1108-1224-TAB**

MODEL 1108-1224-2L LATCH    MODEL 1108-1224-2R LATCH    MODEL 1108-1224-TAB LATCH TAB

USE WITH BUFFERS NO. 1110-4541 BOLT, 1110-4542 NUT

**SUB FOR: PENZ 25-09 LATCH, 25-02/H TAB**

**FITS: MOST TWISTLOCKS**

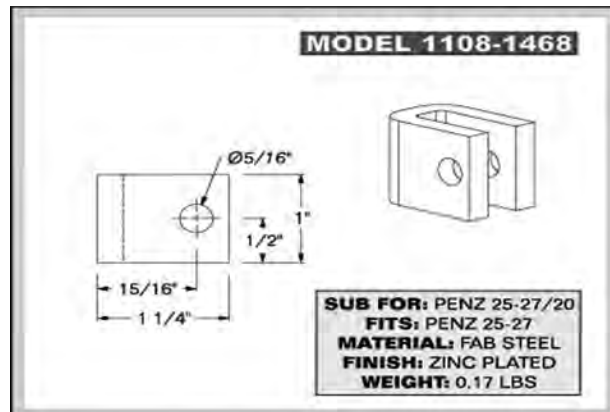
**MATERIAL: FAB STEEL FINISH: ZINC PLATED**

**WEIGHT: LATCH 0.19 LBS / TAB 0.12 LBS**

**INTERMODAL - CHASSIS - TWIST LOCK LATCHES****Part Number 1310550**

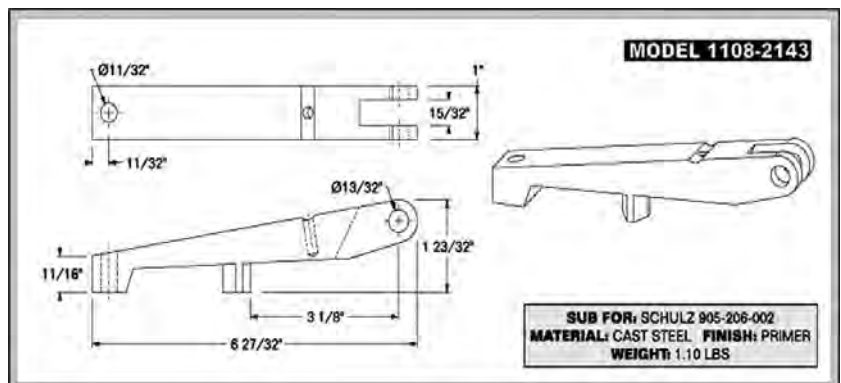
1108-1468

Twist Lock Latch

**Part Number 1310576**

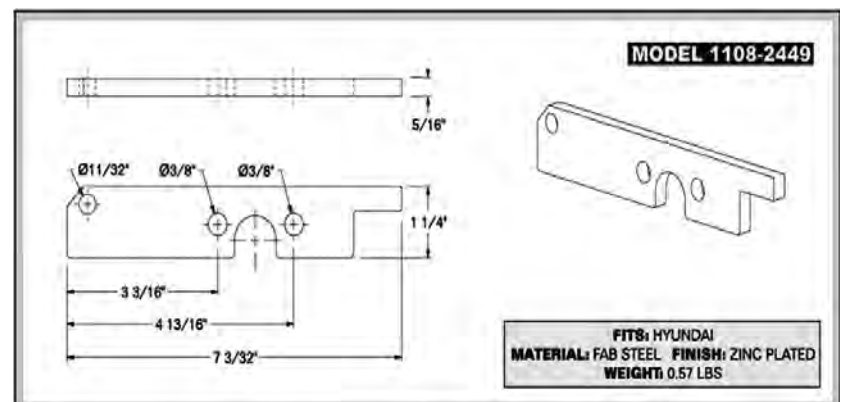
1108-2143

Twist Lock Latch

**Part Number 1310578**

1108-2449

Twist Lock Latch



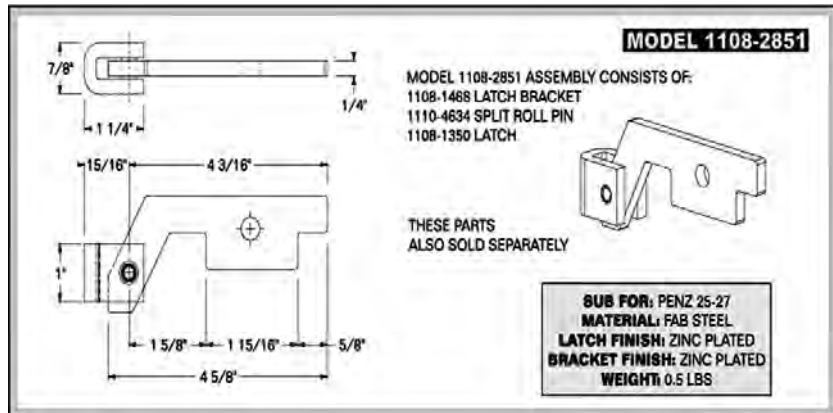


## INTERMODAL - CHASSIS - TWIST LOCK LATCHES

### Part Number 1310579

1108-2851

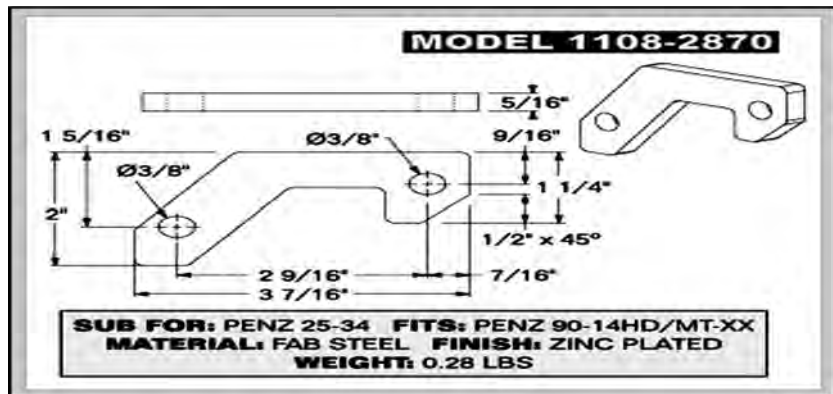
Twist Lock Latch



### Part Number 1310580

1108-2870

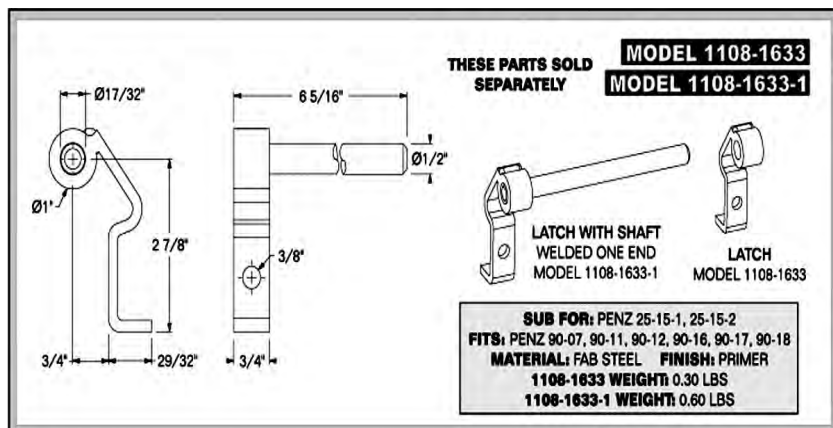
Twist Lock Latch



### Part Number 1310590

1108-1633-1

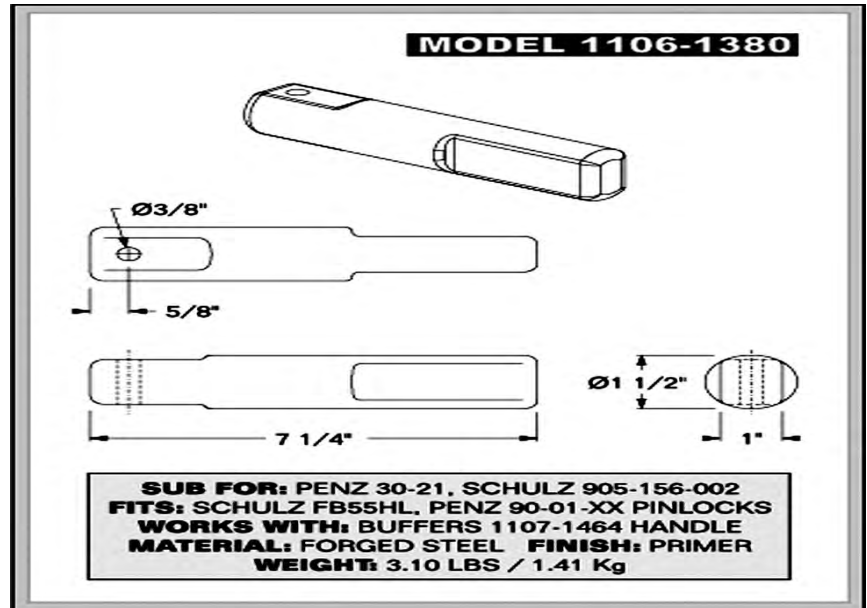
Twist Lock Latch



**INTERMODAL - CHASSIS - TWIST LOCK PUSH PINS****Part Number 1310462**

1106-1380

Twist Lock Pin

**Part Number 1310507**

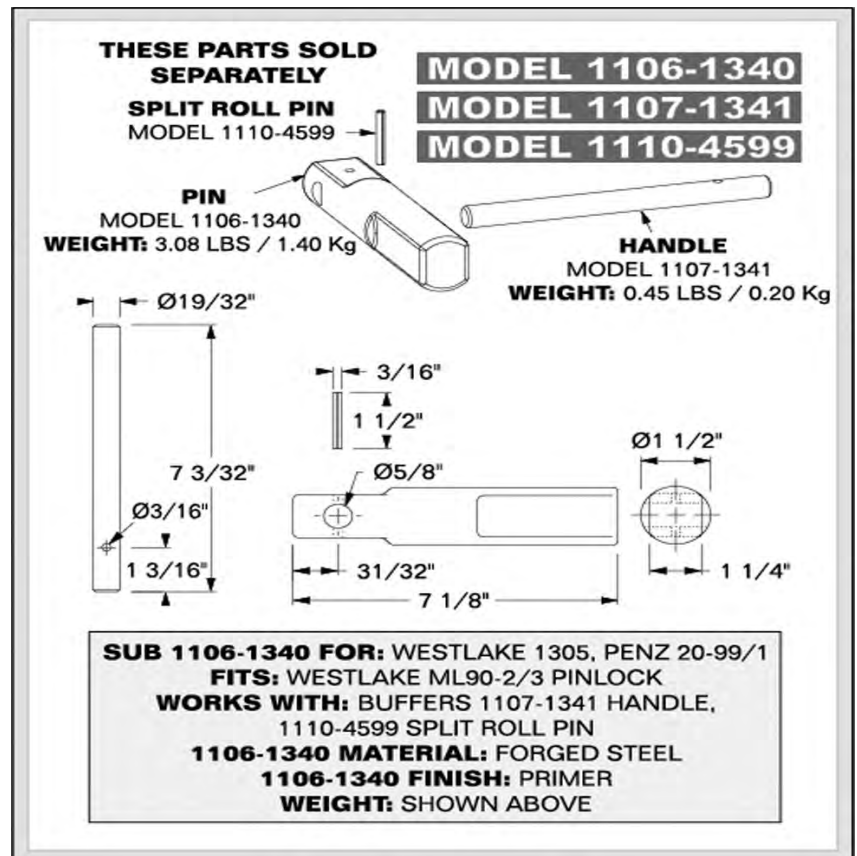
1106-1340

Twist Lock Pin / Push Pin

**Part Number 1310508**

1107-1341

Twist Lock handle

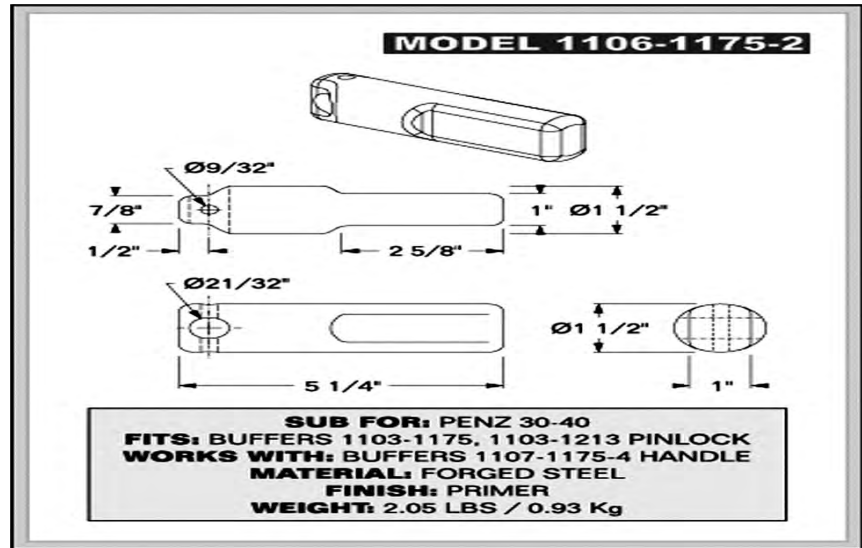




## INTERMODAL - CHASSIS - TWIST LOCK PUSH PINS

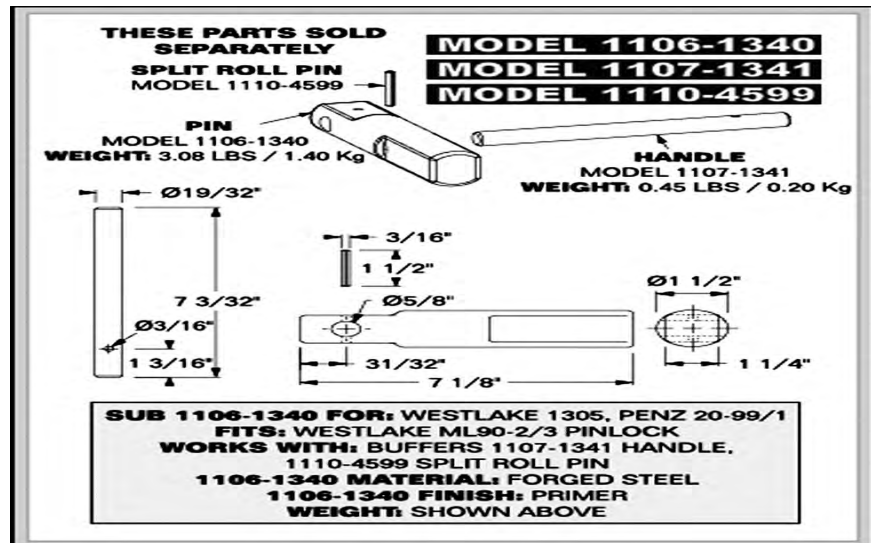
### Part Number 1310569

1106-1175-2  
Twist Lock Pin



### Part Number 1310570

1106-1318-2  
Twist Lock Pin



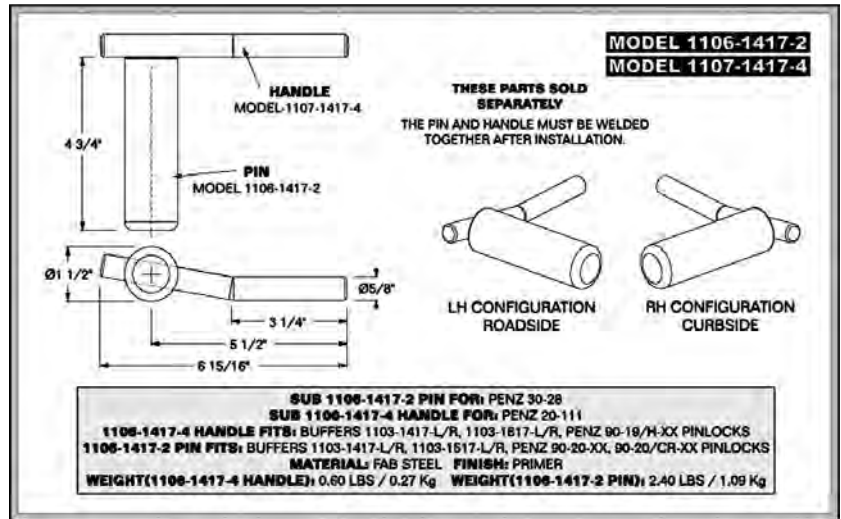
**INTERMODAL - CHASSIS - TWIST LOCK SLIDE PINS****Part Number 1310571**

1106-1417-2

Slide Pin

**(Part Number 1310473**

1107-1417-4 Handle)

**Part Number 1310587**

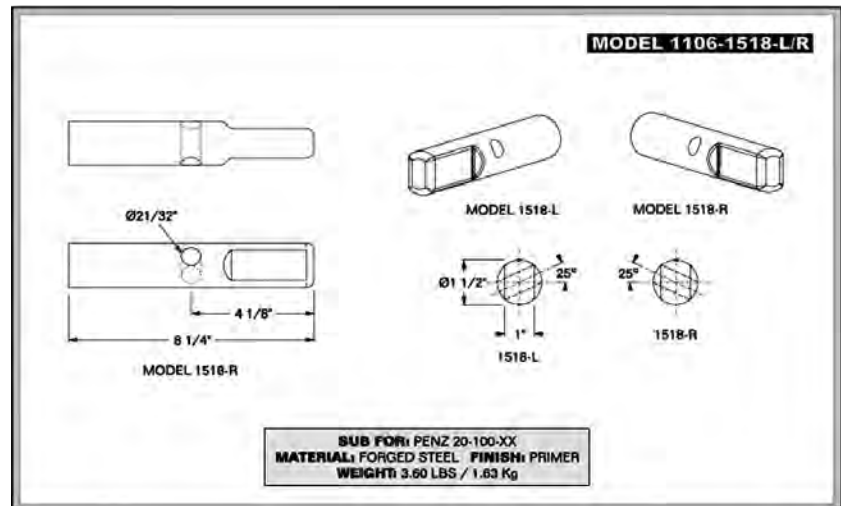
1106-1518-L

Slide Pin

**Part Number 1310588**

1106-1518-R

Slide Pin





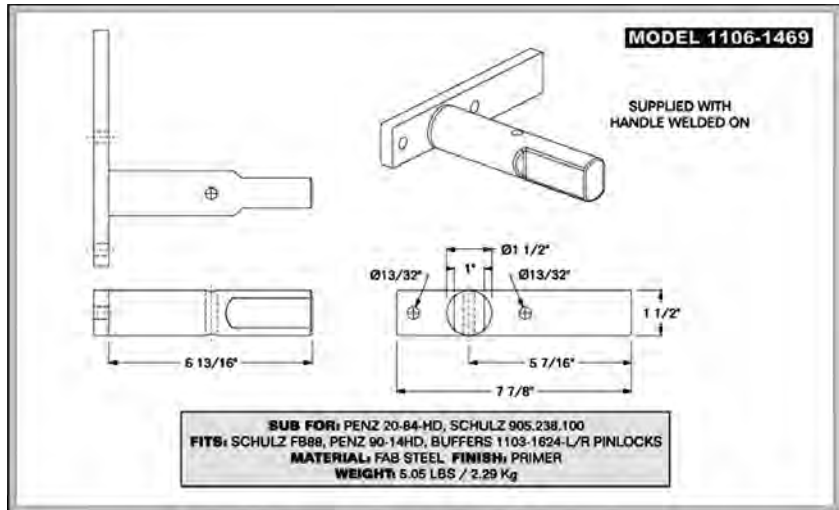


**INTERMODAL - CHASSIS - TWIST LOCK SLIDE PINS**

**Part Number 1310598**

1106-1469

Slide Pin



**Part Number 1310599**

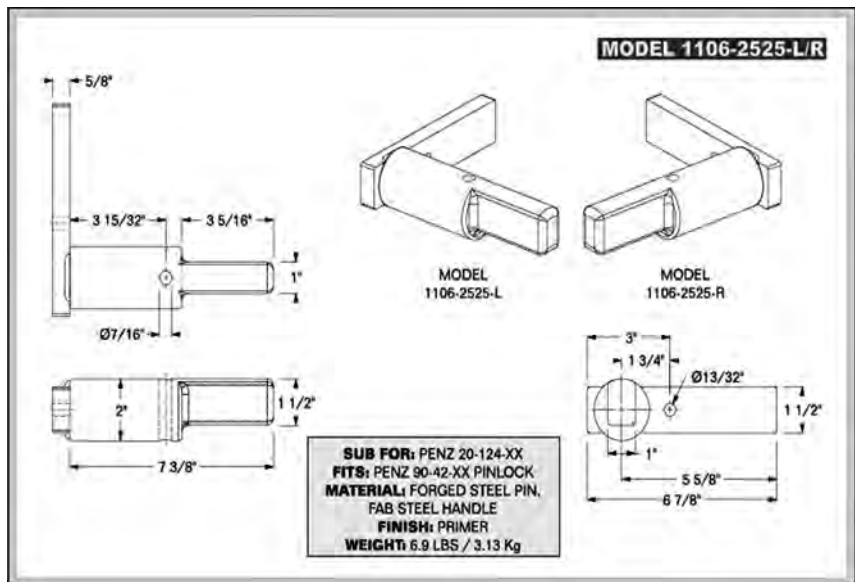
1106-2525-L

Slide Pin

**Part Number 1310606**

1106-2525-R

Slide Pin



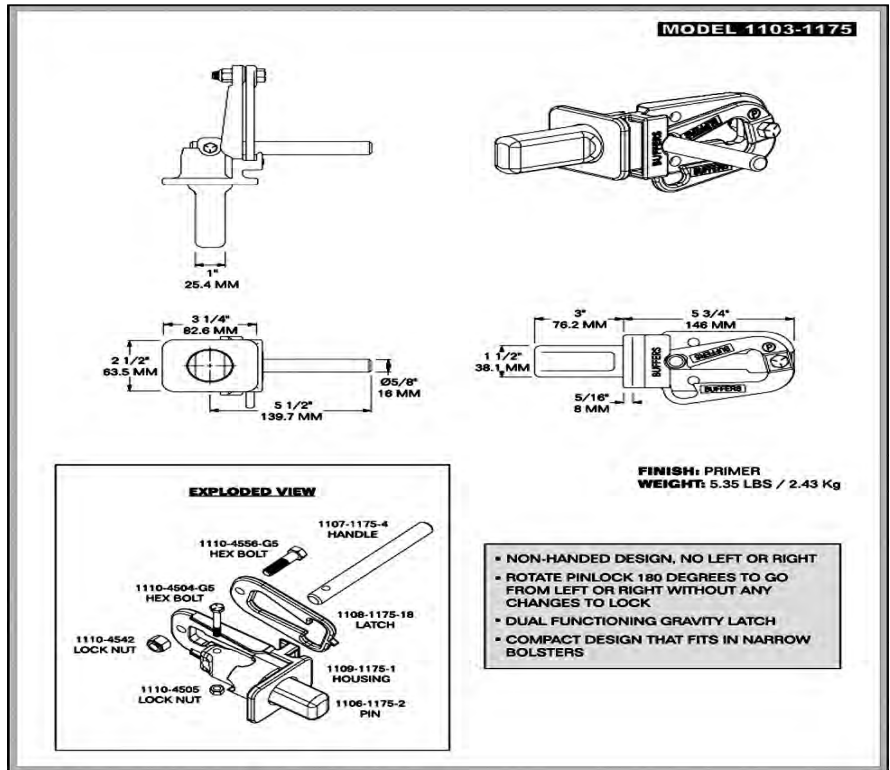


## INTERMODAL - CHASSIS - TWIST LOCK PINLOCK ASSEMBLIES

### Part Number 1310489

1103-1175

Pinlock Assembly



### Part Number 1310493

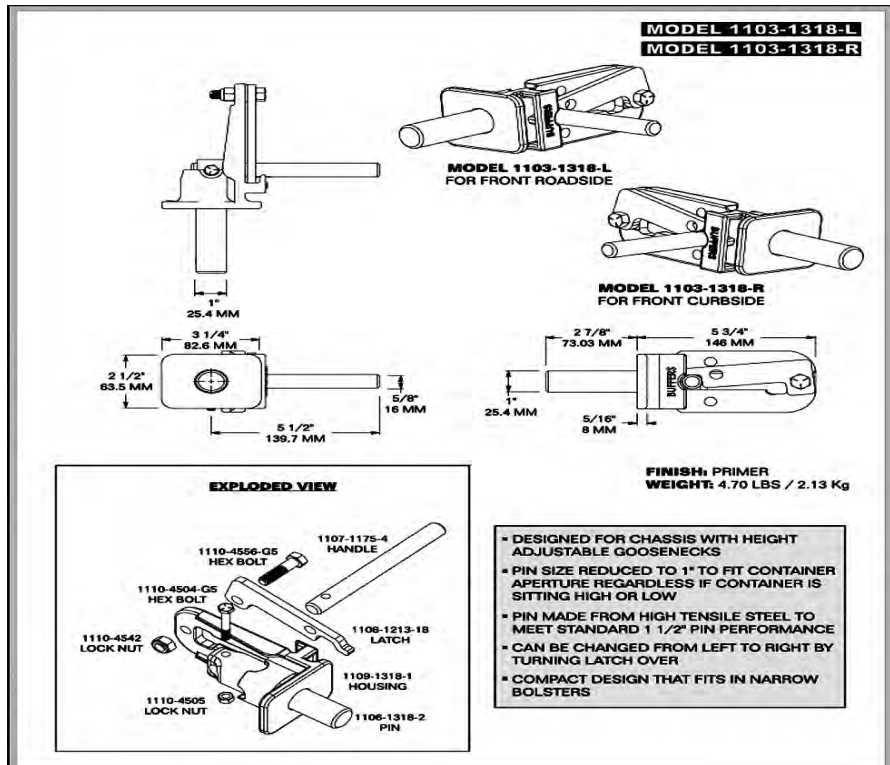
1103-1318-L

Pinlock Assembly

### Part Number 1310494

1103-1318-R

Pinlock Assembly





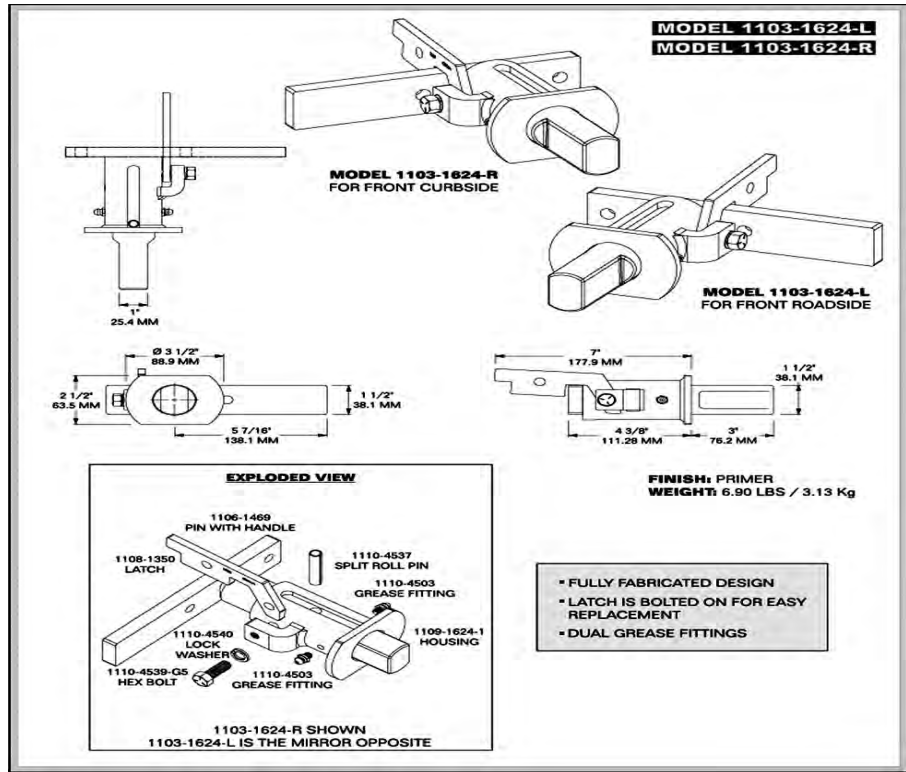
**INTERMODAL - CHASSIS - TWIST LOCK PINLOCK ASSEMBLIES**

**Part Number 1310496**

1103-1624-L  
Pinlock Assembly

**Part Number 1310497**

1103-1624-R  
Pinlock Assembly

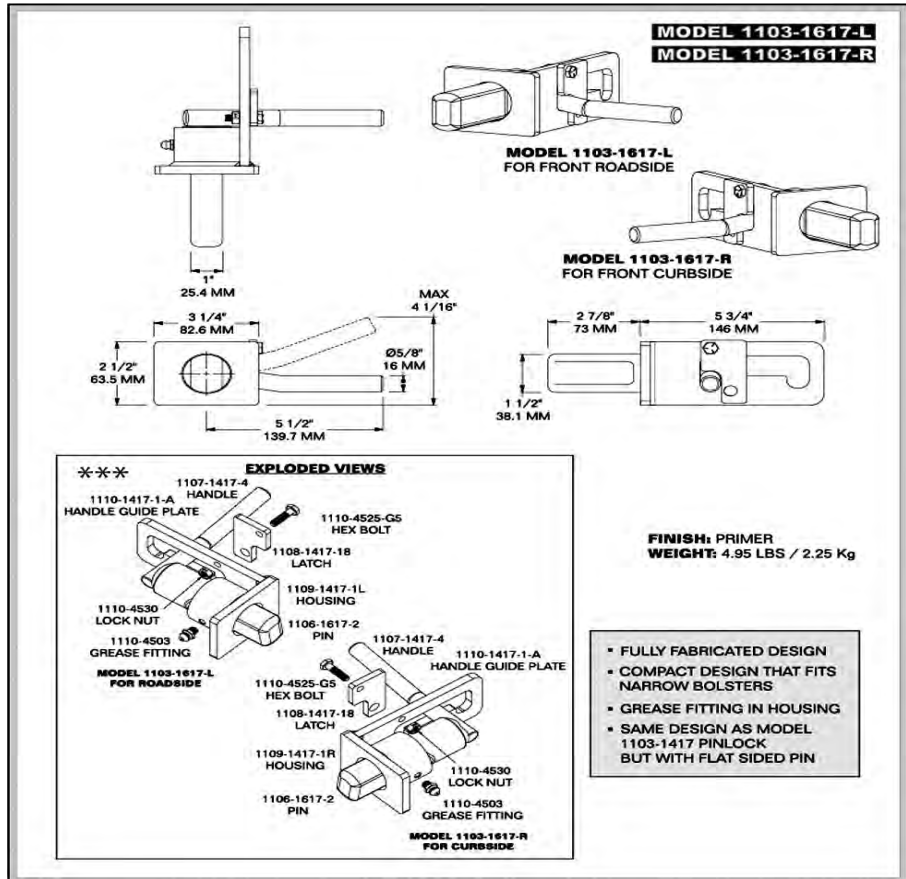


**Part Number 1310552**

1103-1617-L  
Pinlock Assembly

**Part Number 1310551**

1103-1617-R  
Pinlock Assembly





## INTERMODAL - CHASSIS - TWIST LOCK PINLOCK ASSEMBLIES

### Part Number 1310554

1103-1517-L

Pinlock Assembly

### Part Number 1310553

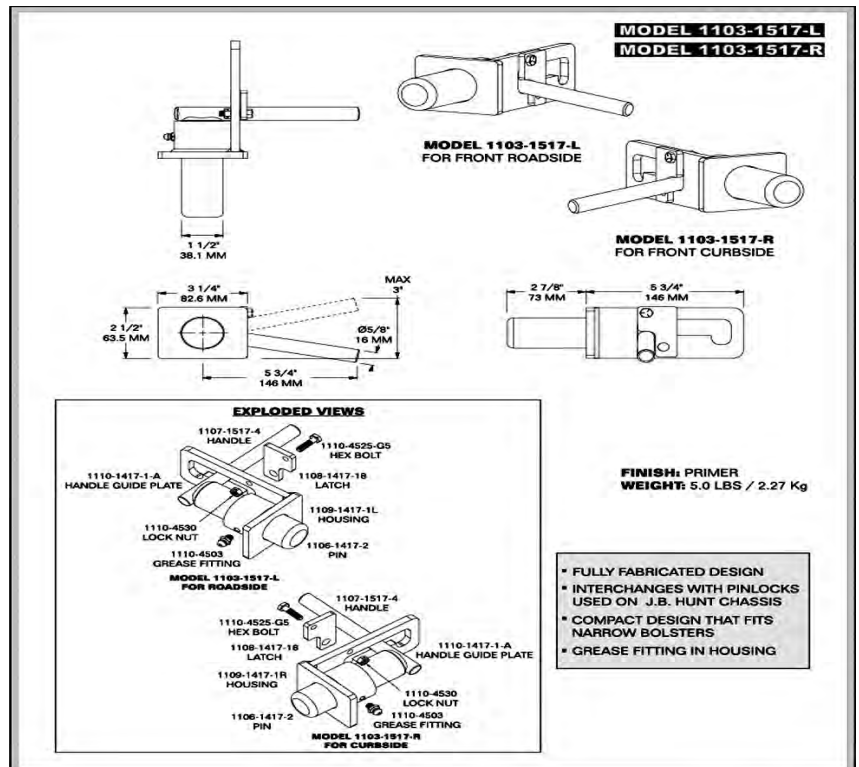
1103-1517-R

Pinlock Assembly

### Part Number 1310581

1110-1417-1-A

Guide Plate



### Part Number 1310556

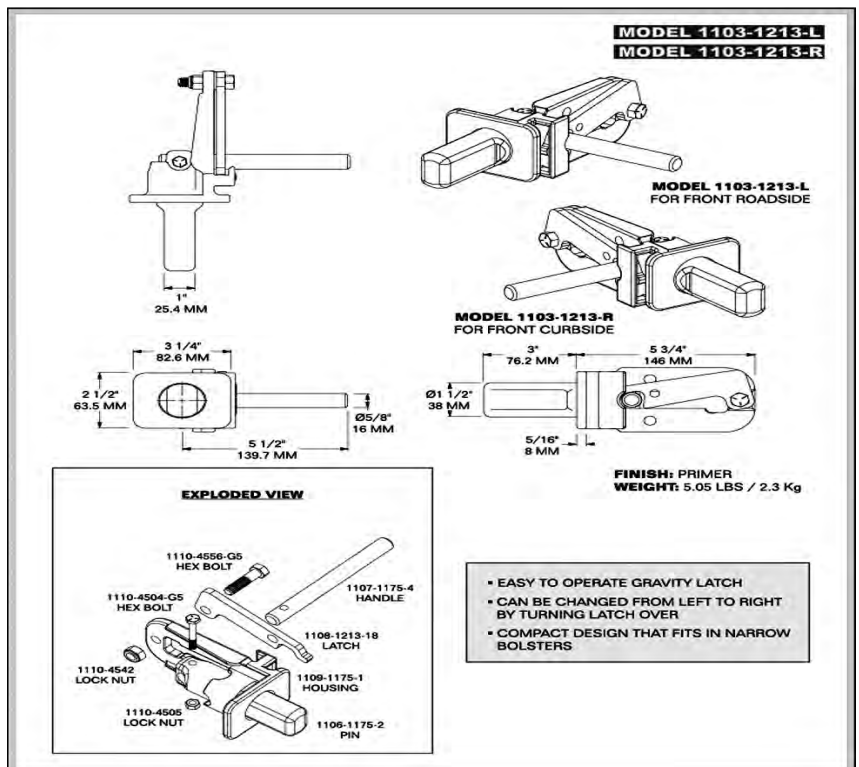
1103-1213-L

Pinlock Assembly

### Part Number 1310557

1103-1213-R

Pinlock Assembly




**INTERMODAL - CHASSIS - TWIST LOCK BALL AND SPRING**
**Part Number 1310423**

1110-4501

Ball

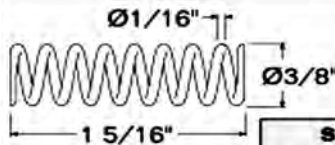
**MODEL 1110-4501**
 $\varnothing 0.393"$   
 10 MM


**SUB FOR:** PENZ 16-01 AND SCHULZ 905-000-193  
**WORKS WITH:** BUFFERS 1110-4502 SPRING  
**FITS:** ALL BUFFERS, PENZ TWISTLOCKS.  
**MATERIAL:** CHROME ALLOY  
**WEIGHT:** 0.008 LBS / 3.63 G

**Part Number 1310464**

1110-4550

Spring

**MODEL 1110-4550**


**SUB FOR:** SCHULZ 905.000.194 AND PENZ 50-20  
**FITS:** BUFFERS 1102-1257, 1102-1259, 1102-3259, SCHULZ F26NS, F33NS, F33SLNS, F66NS, QA12NS, QA15NS, QA18NS, R318NS, VK21RT AND RQ36NS TWISTLOCKS  
**WORKS WITH:** BUFFERS 1110-4549 BALL  
**MATERIAL:** SPRING STEEL  
**WEIGHT:** 0.008 LBS / 3.63 G

**Part Number 1310582**

1110-4549

Ball

**MODEL 1110-4549**
 $\varnothing 7/16"$   
 11 MM


**SUB FOR:** SCHULZ 905.000.195  
**FITS:** BUFFERS 1102-1257, 1102-1259, 1102-3259, SCHULZ F26NS, F33NS, F33SLNS, F66NS, QA12NS, QA15NS, QA18NS, R318NS, VK21RT AND RQ36NS TWISTLOCKS  
**WORKS WITH:** BUFFERS 1110-4550 SPRING  
**MATERIAL:** CHROME ALLOY  
**WEIGHT:** 0.012 LBS / 5.44 G

**Part Number 1310583**

1110-4562

Ball

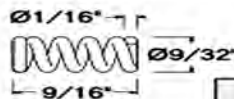
**MODEL 1110-4562**
 $\varnothing 5/16"$   
 8 MM


**SUB FOR:** SCHULZ 905.800.008 AND WESTLAKE 0154  
**FITS:** SCHULZ JL-85-1/2/3/4, WESTLAKE WL60-4/6, WL60-16, WL 85-2/3/4/5, WL100-2/3, AND CIMC TWISTLOCKS  
**WORKS WITH:** BUFFERS 1110-4577 SPRING  
**MATERIAL:** CHROME ALLOY  
**WEIGHT:** 0.005 LBS / 2.27 G

**Part Number 1310618**

1110-4577

Spring

**MODEL 1110-4577**


**SUB FOR:** SCHULZ 905.800.007 AND WESTLAKE 1228  
**FITS:** SCHULZ JL-85-1/2/3/4, WESTLAKE WL60-4/6, WL60-16, WL 85-2/3/4/5, WL100-2/3 AND CIMC TWISTLOCKS  
**WORKS WITH:** BUFFERS 1110-4562 BALL  
**MATERIAL:** SPRING STEEL  
**WEIGHT:** 0.004 LBS / 272.2 G

**INTERMODAL - CHASSIS - TUBE BUMPER****Part Number TB-CHASSIS-BUMPER**

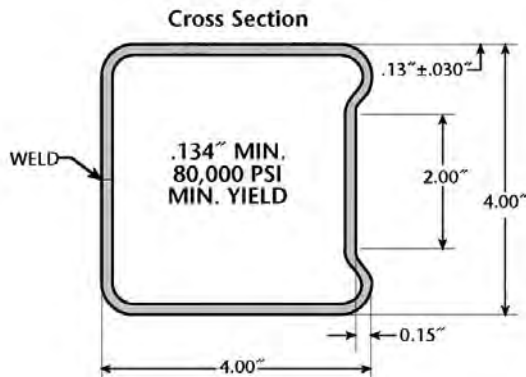
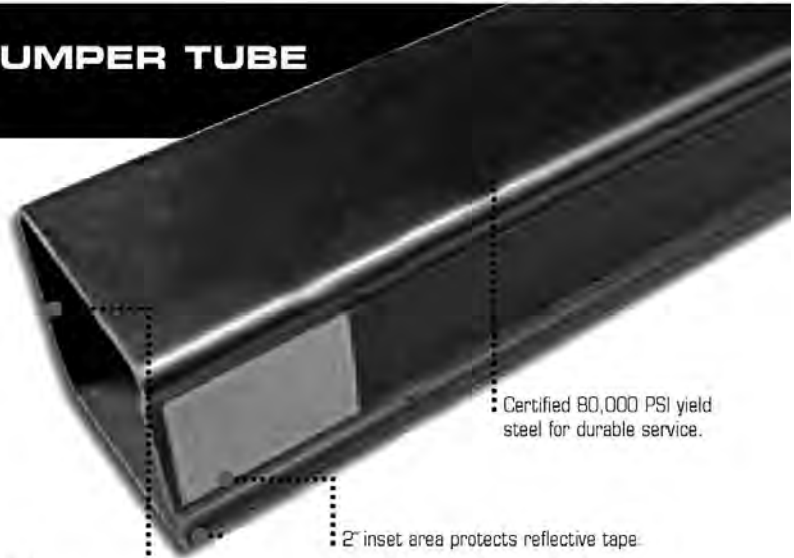
Certified 80,000 PSI yield steel for durable service.  
Full penetration weld for long life.

**4" STEEL SAFETY BUMPER TUBE FOR TRAILERS**

**Weight: 7.0 lbs./ft.**

Holland bumper tube is a key ingredient of vehicle safety. Holland's one piece design provides an integral 2" inset area that neatly positions and protects the reflective tape from damage.

The tube is constructed from 80,000 yield high strength steel, and incorporates full penetration welding for long, durable service.



**NOTE:** Bumper tubes are supplied unpainted and without reflective tape.

**SAF Holland**  
Engineering Your Road to Success

**IMPORTANT:** The Holland Bumper Tube is sold to original equipment trailer manufacturers and to the trailer aftermarket for use as the horizontal structural member of a trailer's Rear Impact Guard. This Rear Impact Guard is required under federal law in both the U.S. and Canada. It is the responsibility of the installer of the Holland Bumper Tube to insure that it and the complete Rear Impact Guard assembly is installed per the trailer manufacturer specifications and complies with any and all state/provincial and federal laws and regulations. In the U.S., Rear Impact Guards are regulated under Federal Motor Vehicle Safety Standards FMVSS 223/224 and Federal Motor Carrier Safety Regulation FMCSR 393.86. In Canada, they are regulated by Motor Vehicle Safety Act Standard 223.

**WARNING:** It is the responsibility of the installer of this bumper tube to insure that it and the entire Rear Impact Guard assembly is installed in accordance with the trailer manufacturer's specifications and in compliance with Federal Motor Vehicle Safety Standards FMVSS 223/224 (U.S.) or Motor Vehicle Safety Act Standard 223 (Canada). Failure to do so could result in death or serious injury to occupants of another vehicle in the event of a rear end collision with the trailer.

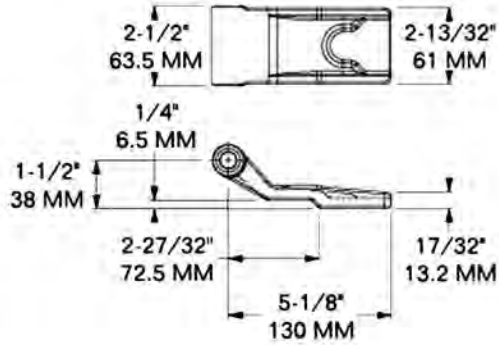


**INTERMODAL CONTAINER - DOOR PARTS**

**Part Number 1016111**

1402-2538

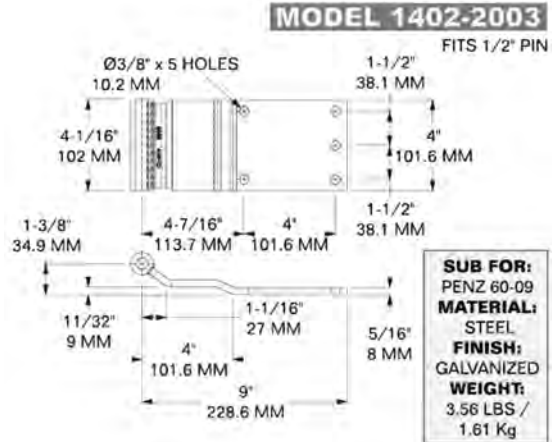
Door Hinge



**Part Number H-1060-5-5**

1402-2003

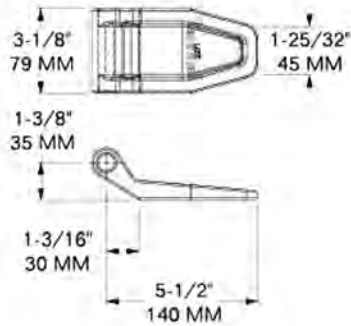
Door Hinge



**Part Number 1016113**

1402-2271

Door Hinge

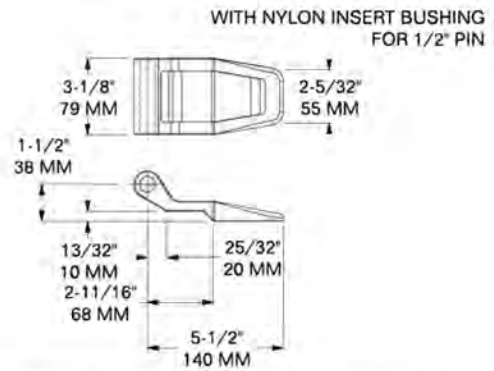


**SUB FOR:** HF-900 **MATERIAL:** STEEL  
**FINISH:** ZINC PLATED **WEIGHT:** 2.15 LBS / 0.98 Kg

**Part Number 1016115**

1402-2274

Door Hinge

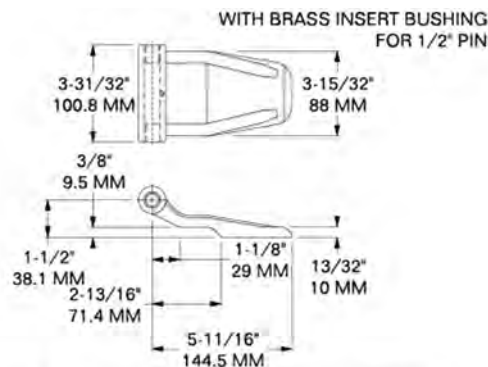


**SUB FOR:** HF-005 **MATERIAL:** STEEL  
**FINISH:** ZINC PLATED **WEIGHT:** 2.60 LBS / 1.18 Kg

**Part Number 1016117**

1402-6373

Door Hinge



**SUB FOR:** CIMC **MATERIAL:** STEEL  
**FINISH:** ZINC PLATED **WEIGHT:** 2.90 LBS / 1.31 Kg

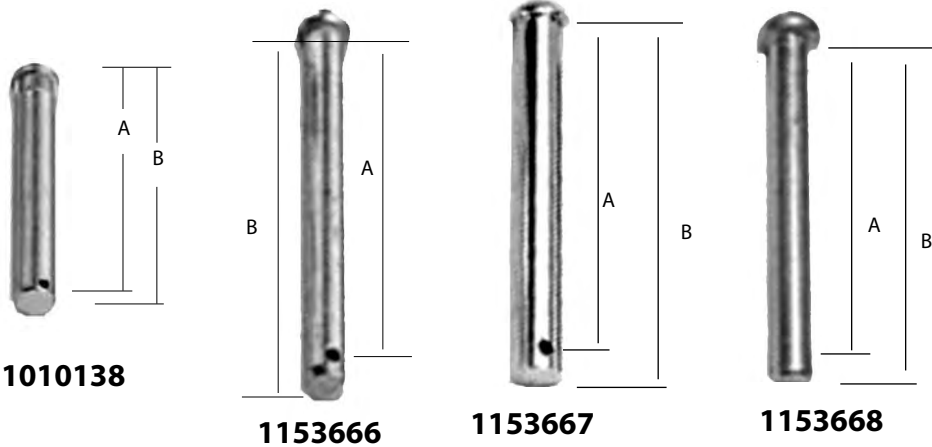
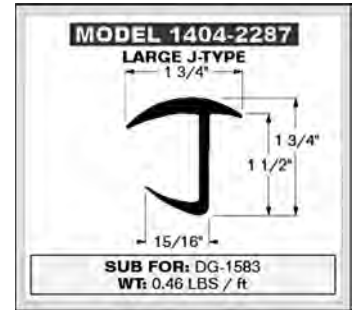


**INTERMODAL CONTAINER - DOOR PARTS**

**Hinge Pins - Steel, Zinc plated**

| Part No. | Dia. | Length "A"                        | Length "B"                       | Hole Size | Application  |
|----------|------|-----------------------------------|----------------------------------|-----------|--------------|
| 1010138  | 5/8" | 3 <sup>7</sup> / <sub>8</sub> "   | 4 <sup>1</sup> / <sub>16</sub> " | 5/32"     | Trailmobile  |
| 1153666  | 1/2" | 5"                                | 5 <sup>1</sup> / <sub>4</sub> "  | 5/32"     | Miner Hinges |
| 1153667  | 3/8" | 4 <sup>27</sup> / <sub>32</sub> " | 5"                               | 1/8"      | Great Dane   |
| 1153668  | 1/2" | 3 <sup>7</sup> / <sub>8</sub> "   | 4 <sup>1</sup> / <sub>8</sub> "  | 5/32"     | Various      |

**Part Number 1016126**  
**1404-2287**  
 Door Gasket - Steel Door

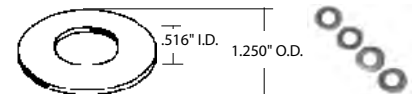


**Hinge Butts - Notched**

| Part No.      | Inside width | Height to hole center |  |
|---------------|--------------|-----------------------|--|
| 1010136       | 3.00"        | 1.38"                 |  |
| 1010150       | 4.25"        | 1.25"                 |  |
| HB-1156-6     | 4.25"        | 1.38"                 | (Galvanized)                             |
| HB-1156-6-P   | 4.25"        | 1.38"                 | (Plain)                                  |
| 515-11-37-2   | 3.00"        | 1.56"                 | (Uses 5/8" pin.)                         |
| WCF003981-001 | 4.06"        | 1.18"                 | Fruehauf. Holes are .531". Base is 3/4". |



**Nylon Hinge Bearing Washer**  
**Part No. 1036612**  
 1/2" Hinge Pins.  
 Use between bottom of hinge and hinge bracket.



**Hinge Butts - Straight**

| Part No.  | Inside width / | Height to hole center |                  |
|-----------|----------------|-----------------------|------------------|
| 1010164   | 3.18"          | 1.00"                 | (Base is 1.188") |
| 1010151   | 4.25"          | 1.25"                 |                  |
| 4101483   | 2.88"          | 2.13"                 |                  |
| 515-11-29 | 2.88"          | 1.56"                 | (Uses 5/8" pin.) |
| MP-087226 | 3.13"          | .875"                 |                  |
| SK01330   | 3.25"          | 1.50"                 |                  |



**Universal Hinge Bracket - 2 pc.**  
**Part No. 1010156**  
 For any width hinge.  
 For 1/2" diameter hinge pins, hole = .50"







**INTERMODAL CONTAINER - DOOR PARTS**

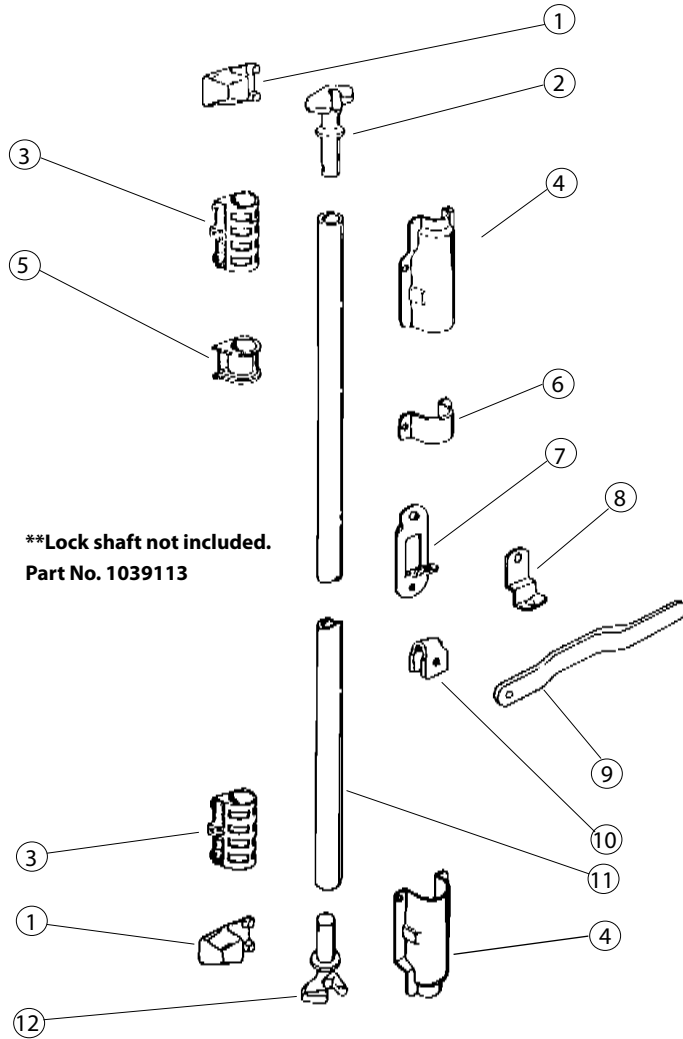
**Rear Door Lock Hardware Kit**

Zinc plating on all steel components  
Can be installed on RH or LH door.

**Part No. DL-BU-1**    **\*\*Lock shaft not included.**

**Parts List**

| Item | Qty. | Description                 | Part No.       |
|------|------|-----------------------------|----------------|
| 1    | 2    | Keeper                      | <b>1064</b>    |
| 2    | 2    | Rod end,<br>top curbside    | <b>4044</b>    |
| 3    | 2    | Cam guide bearing           | <b>4042PR</b>  |
| 4    | 2    | Cam Guide                   | <b>4207</b>    |
| 5    | 2    | Rod guide bushing           | <b>4006PR</b>  |
| 6    | 1    | Rod guide                   | <b>4005</b>    |
| 7    | 1    | Seal plate                  | <b>4011</b>    |
| 8    | 1    | Seal pin                    | <b>4012</b>    |
| 9    | 1    | Lever handle                | <b>4090</b>    |
| 10   | 1    | Handle mount                | <b>4208</b>    |
| 11   | 1    | Lock Shaft**                | <b>1039113</b> |
| 12   | 1    | Rod end,<br>bottom curbside | <b>4043</b>    |



**Lock Shaft - Part No. 1039113**

1 3/8" O.D. Hot Dipped Galvanized Tubing.  
120 Inch Length.

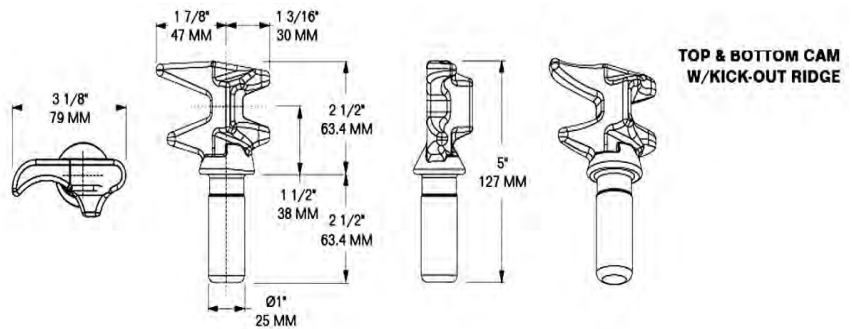


**Part Numbers**

**1016128 and 1016129**

1401-6968-L / 1401-6968-R

Top and Bottom cam  
with kick-out range

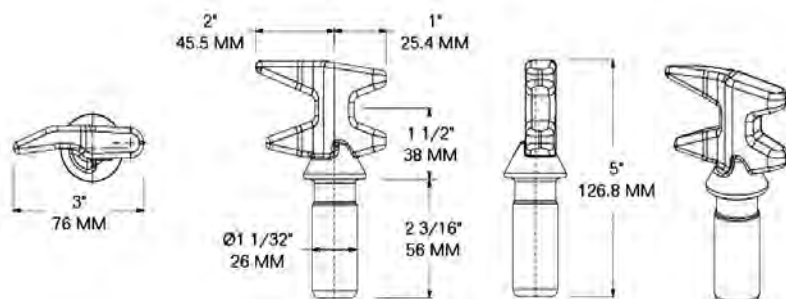


**Part Numbers**

**1016130 and 1016146**

1401-2194-L and 1401-2194-R

Lock Rod Cam - Bloxwich





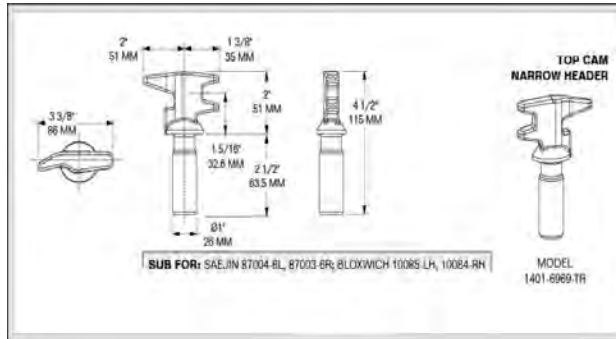
## INTERMODAL CONTAINER - DOOR PARTS

### Part Number

**1016133 / 1016134**

1401-6969-L / 1401-6969-R

Top Cam Narrow Header

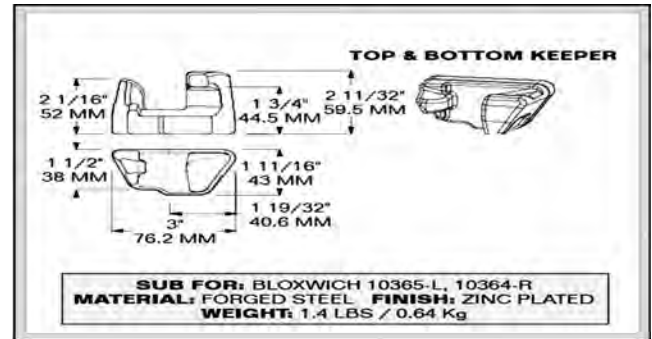


### Part Number

**1016136 / 1016138**

1401-2189-L / 1401-2189-R

Door Cam Keeper

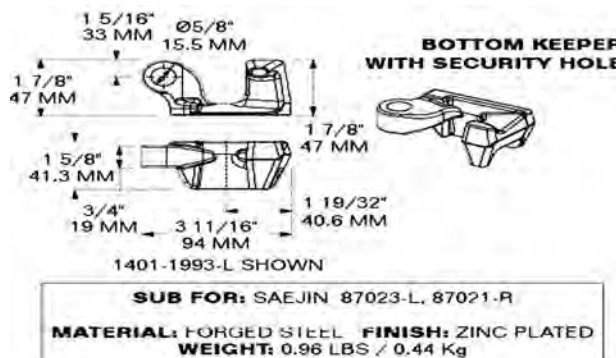


### Part Number

**1016140 / 1016142**

1401-1993-L / 1401-1993-R

Door Cam Keeper

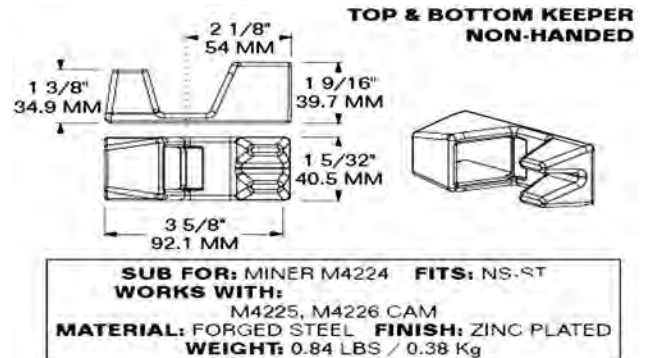


### Part Number

**1016144**

1401-2599

Bearing bracket - Long

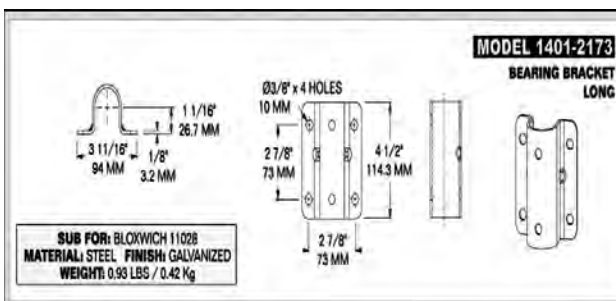


### Part Number

**1016154**

1402-2173

Bearing bracket - Long

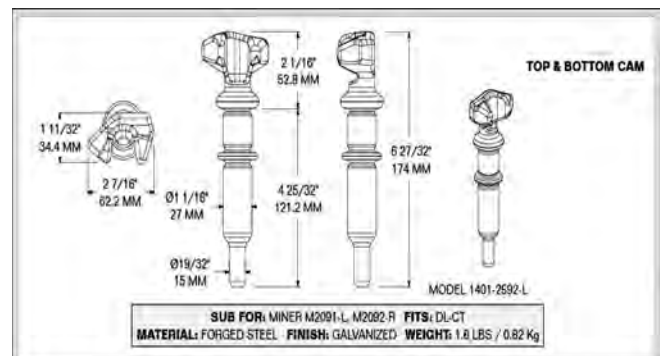


### Part Numbers

**1016132 and 1016148**

1401-2592-L / 1401-2592-R

Top and Bottom cam with kick-out



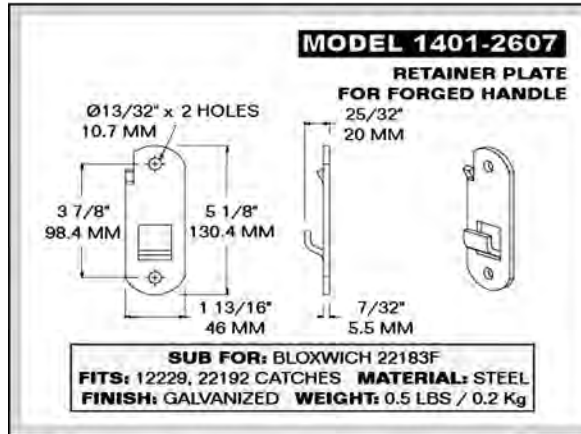


## INTERMODAL CONTAINER - DOOR PARTS

### Part Number 1016150

1401-2607

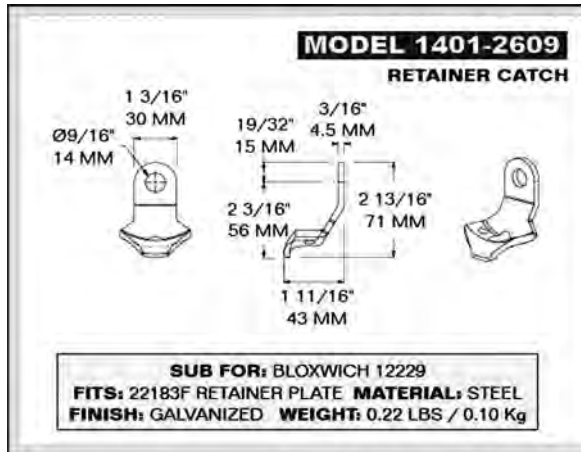
Retainer plate for forged handle



### Part Number 1016151

1401-2609

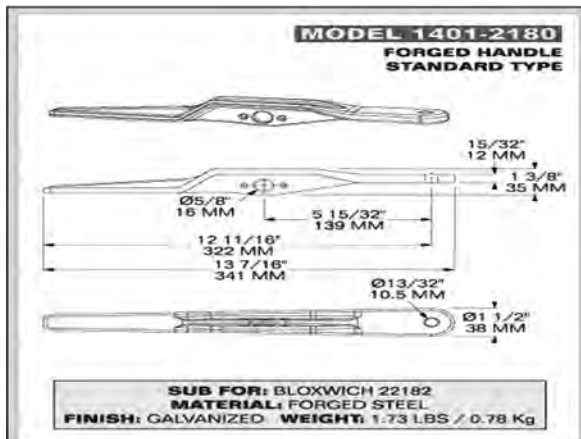
Retainer catch



### Part Number 1016153

1401-2180

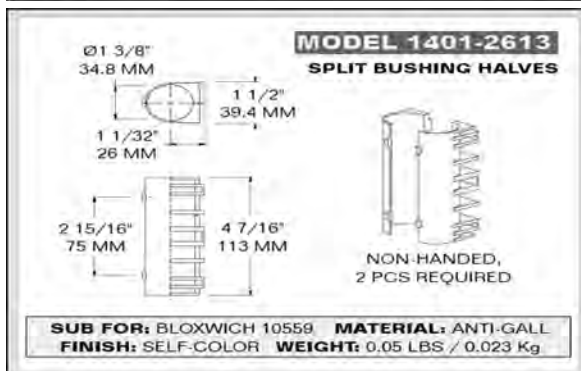
Forged handle standard type



### Part Number 1016155

1401-2613

Split Bushing Halves



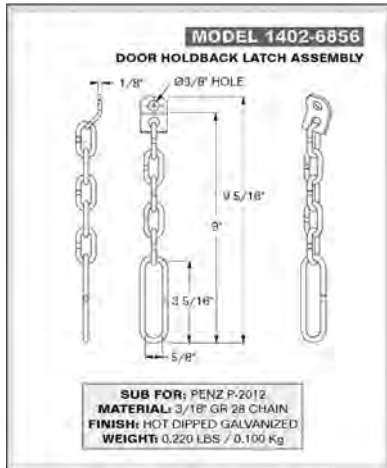


## INTERMODAL CONTAINER - DOOR PARTS

### Part Number 1310600

1402-6856

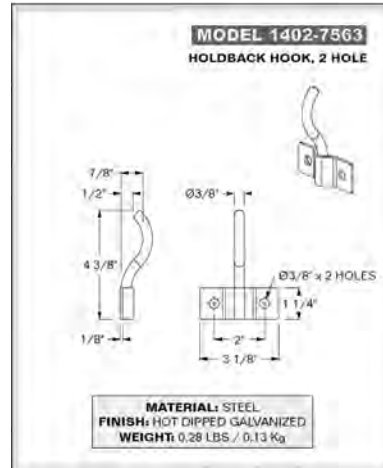
Door holdback chain assembly



### Part Number 1310601

1402-7563

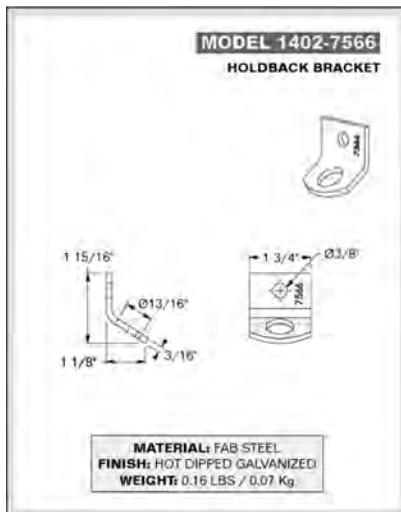
Holdback hook, 2 hole



### Part Number 1310602

1402-7566

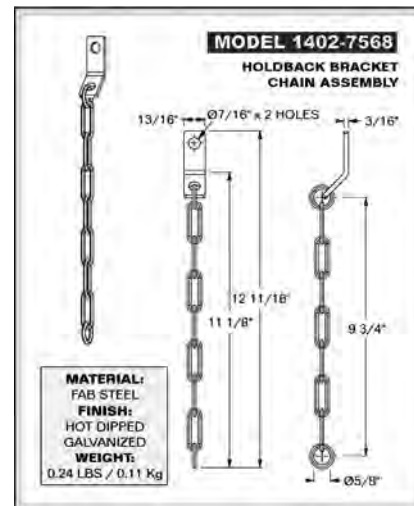
Holdback bracket



### Part Number 1310603

1402-7568

Holdback bracket chain assembly



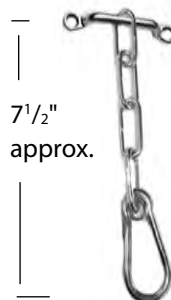
### Part No. 1010149

(021-00051) Complete Kit

**Set chain, snap assembly, lap link, and anchor**

Approx. 7.5" from surface to clasp end.

.25" holes on 2.63" centers. Zinc plated.

**Set chain, snap assembly, lap link****Part No. 021-00050****Lap link only****Part No. 021-00053**

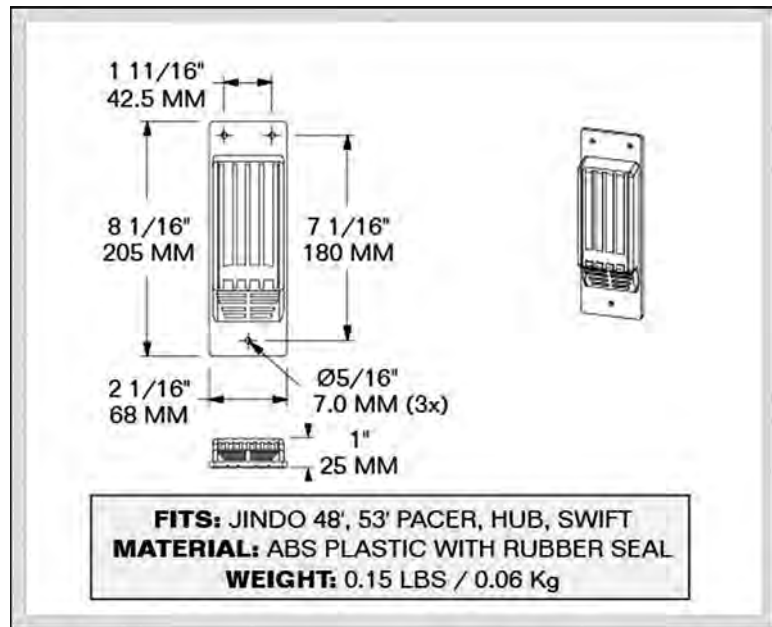


## INTERMODAL - MISC

### Part Number 1016152

4402-2278

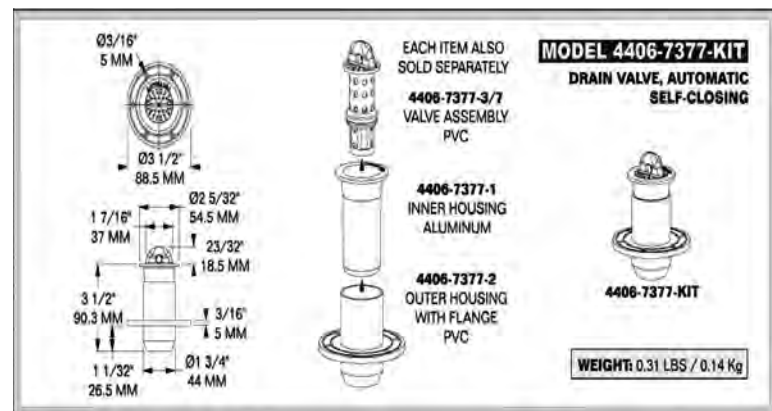
Vent, plastic, with seal



### Part Number 1310525

4406-7377-KIT

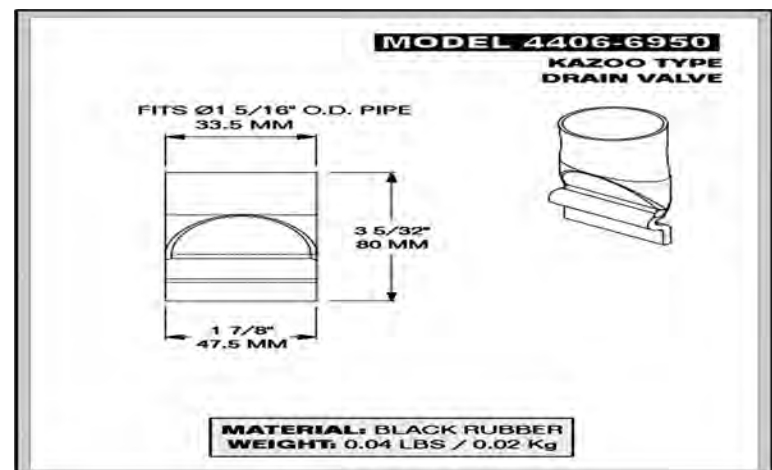
Drain Valve



### Part Number 1310526

4406-6950

KAZOO







## INTERMODAL - LANDING GEAR

|                                      |  |
|--------------------------------------|--|
| <b>Part No.</b><br><b>743278</b>     | <b>Description</b><br>SAF-HOLLAND gearside leg with 2x10x10 ow profile shoe and solid sand shoe axle. I-Beam mount. (Classic 2-shaft)      |
| <b>743279</b>                        | Same as above, non-gear leg.   |
| <b>A400-T18-17LH</b>                 | JOST gearside leg with 2x10x10 low profile shoe and solid sand shoe axle. I-Beam mount.  |
| <b>A400-T18-17RH</b>                 | Same as above, non-gear leg. (19" travel also available)   |
| <b>LG6503-72</b><br><b>LG6503-71</b> | Holland Square body with 2" tall 10x10 sand shoe. 17" travel, universal<br>Same as above, non-gear leg. (10 hole bolt pattern, 3-shaft)    |
| <b>LG4003-72</b><br><b>LG4003-71</b> | Holland Square body with 2" tall 10x10 sand shoe. 17" travel, universal<br>Same as above, non-gear leg. (8 hole bolt pattern, 3-shaft)     |
| <b>1013932-2</b><br><b>1013932-1</b> | Fleetcraft 2-shaft with 10x10 2.5" tall, low profile sand shoe. 16.87" travel, universal<br>Same as above, non-gear leg. (Classic 2-shaft) |

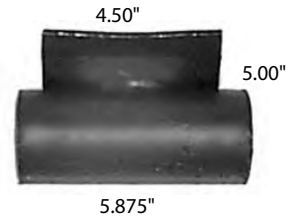


| <b>Sandshoe</b> |                 | <b>Ground</b>         |                |                     |   |
|-----------------|-----------------|-----------------------|----------------|---------------------|---|
| <b>Part No.</b> | <b>Pad Size</b> | <b>to Axle Center</b> | <b>Gussets</b> | <b>Notes</b>        |   |
| <b>1011310</b>  | 10" X 10"       | 1-3/4"                | None           | LoPro. 7ga. w/patch |  |

| <b>Sandshoe Axles</b> |                    |               |                |  |
|-----------------------|--------------------|---------------|----------------|--|
| <b>Part No.</b>       | <b>Description</b> | <b>Length</b> | <b>Comment</b> |  |
| <b>1011223</b>        | Sand Shoe Axle     | 8-1/2"        | schedule 80    |  |
| <b>1011223-HD</b>     | Sand Shoe Axle     | 8-1/2"        | schedule 160   |  |
| <b>1011232</b>        | Sand Shoe Axle     | 8-3/8"        | Solid Axle     |  |

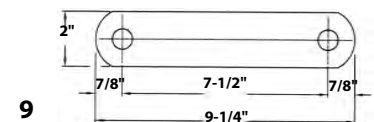
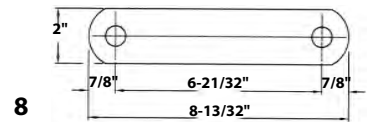
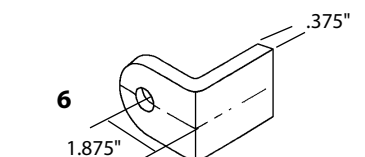
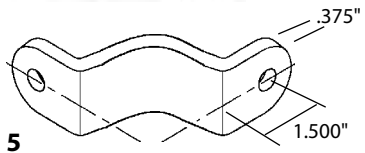
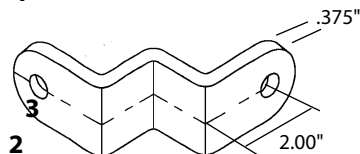
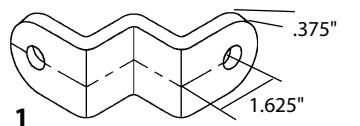
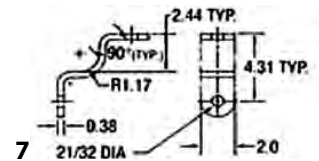
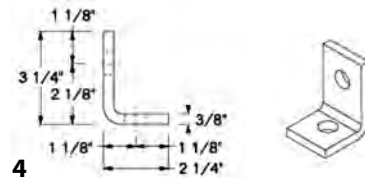
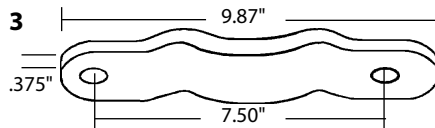
See Our Landing Gear Section for even more selections!

| <b>Part No.</b> | <b>Description</b>  |
|-----------------|---------------------|
| <b>1190043</b>  | <b>Axle Housing</b> |



### Brace Lugs

| <b>Item</b> | <b>Part No.</b> | <b>Application</b>   |
|-------------|-----------------|--|
| 1           | <b>J4890</b>    | For Square Leg   |
| 2           | <b>1190554</b>  | For Square Leg   |
| 3           | <b>1011242</b>  | For Round Leg  |
| 4           | <b>1013566</b>  | 3/8" 90°, 2 hole   |
| 5           | <b>LG2790</b>   | Holland Mark V<br>(Includes 2 XA-V-1938 & 1 XB-LG0085 crank) |
| 6           | <b>1011244</b>  | Universal  |
| 7           | <b>C10108</b>   | Jost 90°   |
| 8           | <b>1011243</b>  | Straight flat lug  |
| 9           | <b>1011245</b>  | Straight flat lug  |





## INTERMODAL - INCANDESCENT LIGHTING

**4" ST/T/T Incandescent Flange Mount Light-  
RED LENS. with pigtail clip.**

**Part No. TL40229R**

Trucklite (Without pigtail clip)

**Part No. PM424R**

Peterson

**Part No. 9790043** with pigtail clip

**Part No. 9780043** without pigtail clip

Optronics / Fleetcraft

**Same as above with**

**Orange Flange for TRAC**

**Part No. 9780063**

Optronics / Fleetcraft



**TruckLite**

**PETERSON**  
Vehicle Safety Lighting Systems and Accessories

**FLEETCRAFT**®  
QUALITY PARTS FOR THE TRUCKING INDUSTRY

**optronics**

**2.5" Marker Incandescent Flange Flush  
Mount Light. RED or YELLOW LENS**

**Part No. TL10215R / TL10215Y**

Trucklite

**Part No. PM143FR / PM143FA**

Peterson

**Part No. 9780054 / 9780055**

Optronics / Fleetcraft



**2" Marker Incandescent Flange Flush-  
Mount Light. RED or YELLOW LENS**

**Part No. TL30221R / TL30221Y**

Trucklite

**Part No. PM140FR / PM140FA**

Peterson - Reflex Lens

**Part No. 9780025 / 9780026**

Optronics / Fleetcraft

**Same as above with Orange  
colored flange for TRAC.**

**Part No. 9780035 / 9780036**

Optronics / Fleetcraft



**License Light Kit - with bracket**

**Part No. TL15011**

Trucklite

**Part No. 9780045**

Optronics / Fleetcraft



**Pigtail for Marker Lights**

**Part No. TL94902**

Trucklite

**Part No. 9790403**

Optronics / Fleetcraft



**License Light - light only**

**Part No. TL15208**

Trucklite

**Part No. 9780053**

Optronics / Fleetcraft



**Pigtail for 4" Stop/Turn/Tail (ST/T/T)**

**Part No. TL94926**

Trucklite

**Part No. 9790402**

Optronics / Fleetcraft





**INTERMODAL - LED LIGHTING**

**4" ST/T/T LED Flange Mount Light- RED LENS. With pigtail clip.**

**Part No. TL44322R**

Trucklite - Six (6) Diode

**Part No. PM824R**

Peterson - Single (1) Diode. "Camo Light"

**Part No. 9890043**

Optronics / Fleetcraft - Single (1) Diode

**Same as above with Flange for TRAC**

**Part No. 9890042**

Optronics / Fleetcraft - weathertite plug



**2" Marker LED Flange Flush Mount Light. RED or YELLOW LENS**

**Part No. TL30051R / TL30051Y**

Trucklite - multi diode. And includes plug

**Part No. PM190FR / PM190FA**

Peterson - Reflex Lens

**Part No. 9890111 / 9890112**

Optronics / Fleetcraft -

Single (1) Diode. Light only.

**Part No. 9890025 / 9890026**

Optronics / Fleetcraft -

Five (5) Diodes. Light only.

**Same as above, with pigtail clip, for TRAC.**

**Part No. 9890027 / 9890028**

Optronics / Fleetcraft



**2.5" Marker LED Flange Flush Mount Light. RED or YELLOW LENS**

**Part No. TL10051R / TL10051Y**

Trucklite - multi-diode pattern.

Includes plug.

**Part No. PM175FR / PM175FA**

Peterson - Reflex Lens

**Part No. 9890113 / 9890114**

Optronics / Fleetcraft -

Two (2) Diodes.

Light only.



**Pigtail for LED Marker Lights**

**Part No. TL94862**

Trucklite

**Part No. 9790404**

Optronics / Fleetcraft



**License LED Light Kit - with bracket**

**Part No. TL15040**

Trucklite (less pigtail)

**Part No. 9890047**

Optronics / Fleetcraft (less pigtail)



**Pigtail for 4" LED Stop/Turn/Tail (ST/T/T)**

**Part No. TL94707**

Trucklite

**Part No. PM431-491**

Peterson

**Part No. 9790402**

Optronics / Fleetcraft



**License Light - with adaptor plug**

**Part No. TL15205**

Trucklite - with adaptor plug

**Part No. 9890048**

Optronics / Fleetcraft Light only.

**Part No. 9890110**

Optronics / Fleetcraft Assembly. Mini LED.







**INTERMODAL - MISC. LIGHTING**

**ABS fault indicator Incandescent yellow light**

**Part No. TL30257Y**  
 Trucklite -  
 Grommet mount only  
**Part No. 9792001**  
 Optronics / Fleetcraft  
 Recess Flange mount



**ABS fault indicator LED yellow light**

**Part No. TL30271Y**  
 Trucklite -  
 Grommet mount only  
**Part No. 9892001**  
 Optronics / Fleetcraft  
 Recess Flange mount



**Mid-Turn LED flange mount yellow light**

**Part No. TL60272Y**  
 Trucklite -

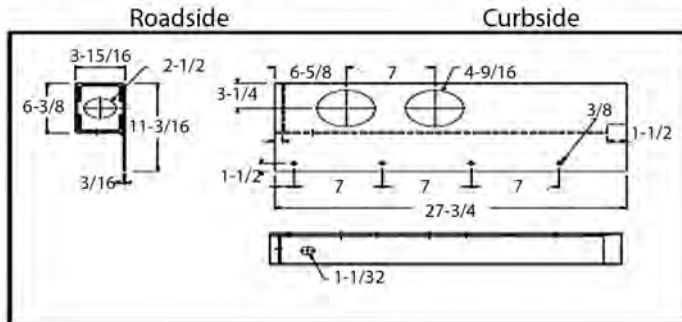
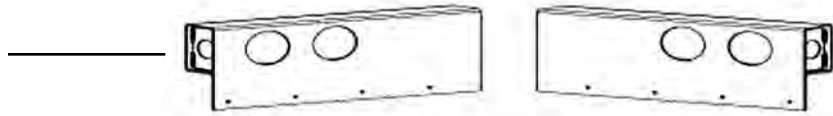


**Part Number 1310700**

Curbside Light Box.

**Part Number 1310701**

Roadside Light Box.



**Part Number B162-093**

Pigtail Retaining Clip



**Part Number 9790569**

Conspicuity tape with TRAC® logo. (On the Red.)  
 2" x 150'. (Optronics)  
 6" red / 6" silver.  
 7 year rated tape.



**Part Number 9790960**

Document holder. For TRAC.  
 Round poly body. Yellow.  
**Part Number 9790980**  
 Document holder.  
 Round poly body. Gray.



**Part Number 1012566**

Conspicuity tape. (963 series)  
 2" x 150'.  
 11" red / 7" white.  
 5 year rated tape.



Twist off cover. Lid includes cable attachment.  
 Optronics / Fleetcraft

**Part Number TL97960**

Document holder.  
 Round poly body. Gray.  
 Twist off cover. Trucklite





## TAPE PRODUCTS

**INSULATION TAPE / PROTECTIVE TAPE** is a transparent tape used to help prevent the corrosion that occurs when aluminum and steel are joined. Use between steel crossmembers and aluminum rails or anywhere aluminum and steel come together. 1.6 mil thickness.

**4" Wide Part No. 1100865** (18/case)

**6" Wide Part No. 1100866** (12/case)



### Aluminum Repair Tape

Aluminum foil face with adhesive sealant on back. Use on roof or sidewall repair.

Part numbers describe size in width (inches) and length (feet).

**Part No. 3X50**

**Part No. 4X50**

**Part No. 4X50WH (White)**

**Part No. 6X50**



A **self adhesive tape** for sealing the seams where trailer side panels overlap. 1/8" x 7/8" x 75'.

**Part No. 1059611**

(20/box)



### Foil Tape

4X30 Foil Tape

**Part No.**

**700-99-186**

6X30 Foil Tape

**Part No.**

**700-99-193**



Adhesive Tape  
3/64" x 3/4" x 200' Roll  
**Part No. 50-71-105B**



### General Purpose Masking Tape.

2" Wide

60 yard roll.

**Part No. 1100900**



A 100% solid cross linked **Butyl Tape**. It never hardens or loses its flexibility. Exceptional resistance to weathering and temperature extremes.

1/16" X 3/4".

16-100' rolls per case.

**Part No. 1059610**

### Foam Panel Sealing Tape

1/16" x 1/4" x 200' Roll

**Part No. 50-109-13-1**

3/32" x 3/4" x 100' Roll

**Part No. 700-99-550**



### Duct Tape

2" x 60 yards.

**Part No.**

**1100901**

(24 / case)



### Pipe Thread Tape

1/2" x 7 yards

**Part No.**

**1100902**

(200 / box)



### Scotch® Super 33+ Vinyl Electrical Tape

**Part No. SUPER33**

Professional use 7-mil, flame retardant, weather resistant tape.

-18°C to 105 °C. 3/4" x 66 ft.

**3M**



### Electrical Tape

3/4" x 60 feet

**Part No. 10200ET**

(10 in a sleeve)





## SEALANTS AND ADHESIVES

### Aluminum Roof Seal

**Manus 65B** Paint Grade  
4-1 gallon cans per case.

**Part No. 1013474**

Manus Bond 65-B is one component brush grade neoprene based sealant. 65-B demonstrates excellent adhesion, weather resistance and sealant properties to aluminum, wood, fiberglass, concrete and many plastics. 65-B will dry quickly to form a tough durable seal and retain it's flexibility for years.



**MANUS**  
PRODUCTS, INC.

### Aluminum Roof Sealant

**Manus-Bond 65C**

Brush grade  
4-1 gallon cans per case.

**Gray: Part No. 1013478**

Manus-Bond 65-C is a one component neoprene sealer which demonstrates excellent adhesion, weather resistance and sealing properties to concrete, mortar, aluminum, wood and many plastics. Will dry quickly to form a tough durable seal and retain its flexibility for years.



**MANUS**  
PRODUCTS, INC.

### Roof Coating

Black plastic cement.  
Sealing mastic.  
4-1 gallon cans per case.

**Part No. 1013475**

**TRUCO** INC.



### Quick Dry Roof Seal

**Manus-Bond 65H**

4-1 gallon cans

**Gray: Part No. 1013479**

Needs no primer.

Adheres to stainless steel, bare aluminum, wood, and other nonferrous metals. Exceptionally resistant to weathering and temperature extremes.



**MANUS**  
PRODUCTS, INC.

### Brush Grade Aluminum Coating

Covers 50-100 square feet over uncoated metal roofs.  
4-1 gallon cans per case

**Part No. 1013476**

**TRUCO** INC.



### GEOCEL - 2010™ Brushable

Elastomeric Copolymer Sealant:  
May be applied at any working temperature. 0° to 120° F.  
Tack free time 48 hours.  
Semi-self-leveling.  
Excellent adhesion to metal, concrete, and wood.

4-1 gallon cans. Aluminum color.

**Part No. GEO60702** **Geocel**

Transportation  
Sealants & Adhesives



### Seal-Gap

Seals seams, rivets, patches and skylights.  
Applies to wet or dry surface.  
Non-hardening rubber base.  
Can be painted.

New improved formula.

4-1 gallon cans per case

**Part No. 1013477**



**GeoBond**® Roof Repair is a single-component, brushable elastic sealant with rubber-like flexibility. An ideal solution for small-area roof leaks and will stop leaks quickly, even in damp conditions.

**Part No. GEO70200** (Clear)

**Part No. GEO70202** (Alum)





**ADHESIVES AND SEALANTS**

**Caulking Gun  
Part No. 1100800**



**Manus 25AM**

Manus-Bond 25-AM is a fast cure, high strength adhesive/sealant. 25-AM is highly weather resistant and can be painted with most paints. Non-yellowing.

36 - 10.3 oz. cartridges per carton

**Part No. 1100825      Gray**

**Manus 65A Adhesive Sealant**

Bonds to most any substrate surface. Firm skin forms in approximately 3 minutes, with 15 minutes to reposition surfaces.

36-11 oz. cartridges per carton

**Part No. 1100846      White**

**Part No. 1100845      Gray**

**Manus 30A**

A one component air drying synthetic rubber based sealer. It exhibits excellent weather resistance, sealing capabilities, adhesion to steel, aluminum and wood and retains its flexibility for years.

36-11 oz. cartridges per carton

**Part No. 1100856      White**

**Part No. 1100857      Alum**

**Manus 73A Silicone Rubber Sealant**

A one component room temperature curing silicone elastomeric sealant and adhesive. May be applied to most substrates. Exceptionally resistant to weathering and temperature extremes.

24-10.1 oz. cartridges per carton

**Part No. 1190161      Clear**

**Part No. 1190162      White**

**Part No. 1190163      Alum**

**Part No. 1190168      Black**



**Manus 75AM Fleet-Bond Adhesive Sealant**

Excellent adhesion to many substrates including aluminum, brass, steel, glass, mortar, granite, marble, wood and many plastics. Cures fast over a wide range of temperatures. Non-yellowing. Can be painted with most paints. Contains no solvents; has minimal shrinkage. Conforms to Federal Specification TT-S-00230C, Class A and ASTM C920, Class A. (75-AM)

36-11 oz. cartridges per case

**Part No. 1100852 White**

**Part No. 1100851 Gray**

**Part No. 1100854 Bronze (24/case)**



**Manus-Bond 501-A**

Formulated with a blend of the strongest and most flexible synthetic rubbers. Excellent weather resistance and sealing properties.

36-11 oz. cartridges per carton

**Part No. 1100843 White**

**Part No. 1100844 Gray**



**Sikaflex® -221**

One of the most popular polyurethane sealant adhesives in the world. Adheres to steel, fiberglass, wood, aluminum and a wide variety of other substrates. (24 - 10.3 U.S. fluid ounce tubes per carton.)

**Part No. 221-241 (white)**

**Part No. 221-242 (gray)**

**Part No. 252-241 (white) (252 Series)**



**North America's Premier Adhesive / Sealant**

Bonds virtually all types of metal, plastics, masonry and concrete. Use as adhesive or high performance sealant.

24-11 oz. cartridges per carton.

**Part No. 1100848 Gray**

**Part No. 1100849 White**

**Part No. 1100850 Super White**



**Silaprene®**

**Silaprene Transportation Adhesive / Sealant**

A flexible product that provides good adhesion and an excellent seal in applications that do not require the high strength properties of North America's Premier adhesive / sealant.

12-10 oz. cartridges per carton.

**Part No. 1100417 Gray**

**Part No. 1100419 White**



**Silaprene®**

**Silaprene SolidSeal**

A one-component polyurethane product that cures to form a permanently flexible seal on a wide variety of materials. SolidSeal provides excellent adhesion for many bonding jobs such as adhering trim pieces and bonding interior plywood to wood, steel and aluminum frames and walls.

12-10 oz. cartridges per carton.

**Part No. 1100415 Gray**

**Part No. 1100416 White**





## KEY POLYMER FLOOR RESTORE

# KEY POLYMER

CORPORATION

### Truck and Trailer Floor Restoration Products

**Key Polymer Floor Restore** is the ONLY alternative to expensive sectioning or complete replacement of wood truck and trailer floors.

#### Flexible yet Tough Epoxy System:

Key Polymer restoration products are lightweight, flexible epoxy systems that fills gouges, small cracks, and delaminations and waterproofs the entire floor.

~It reinforces the wood and is tough enough to stand up to the most punishing cargos.

~Key Polymer Floor Restore is safe enough for USDA incidental food contact compliance and is 100% solids with no VOCs so it meets today's safety and environmental concerns.

#### Seals, Protects and Improves While Safely Reducing Operating Costs:

- Easy to apply, a typical application taking less than two hours.
- Extends the service life of your truck or trailer and reduces operating costs.
- Reduces costly personal injuries and cargo damage claims.
- Seals and protects your new truck or trailer floor as well as restores old floors.

*Depending on floor condition, one kit will cover a 48 foot, or 53 foot 102" wide floor.*

**Part No. EC1055AB (48')**

**Part No. EC53AB (53')**



Includes  
Squeegee!  
18" to get  
the job done  
with ease!

### FRP Quick Patch Epoxy

Repairs FRP sidewalls and plastic reefer liners. Small damage easily repaired to prevent structure damaging rot. Comes w/ gloves, scraper, stir stick and A and B compound.

**Part No. QP300-QT**

# Quick Patch

WHITE EPOXY



KEY POLYMER  
**FLOOR RESTORE**<sup>TM</sup>  
THE ORIGINAL

KEY POLYMER  
**CrackFiller**  
KEVLAR<sup>®</sup> Reinforced

### Crack Filler

Key Epoxy Crack Filler is used whenever a damaged floor is being prepared for restoration with Floor Restore. Crack Filler is specifically designed to fill deep gouges and holes that run through the trailer floor showing daylight. Comes with gloves, scraper, stir stick and A and B compound.

One quart unit:

**Part No. FP100-QT**

3-1 quart unit pack:

**Part No. FP100-BULK (3)**





# FROTH-PAK® POLYURETHANE FOAM SYSTEMS

## FROTH-PAK®



**Density (PCF)**      **Theoretical Yield\***      **Part No. FP12KIT**

1.75      12 Board feet  
1 Cubic Foot

**Contents**  
**FROTH-PAK 12 Kit Standard: 12 Kit**  
1 A can  
1 B can  
2 spray nozzles with 24" hoses,  
1 pinch clamp per kit



**Density (PCF)**      **Theoretical Yield\***      **Part No. FP200**

1.75      200 Board feet  
16.6 Cubic Foot

**Contents**  
**FROTH-PAK 200 Kit: 200 Kit**  
1 A and 1 B Cylinder  
6 NS Spray Nozzles  
4 GG Spray Nozzles  
1 7 1/2' Gun Hose Assembly (GHA)  
1 wrench  
1 Petroleum Jelly Packet



**Density (PCF)**      **Theoretical Yield\***      **Part No. FP620**

1.75      620 Board feet  
50 Cubic Foot

**Contents**  
**FROTH-PAK 620A: 620 Kit**  
308273      1 A Cylinder  
**FROTH-PAK 620B: 308261**      1 B Cylinder  
**INSTA-FLO GHA-15: 158398**      10 NS Spray Nozzles  
1 15' Gun Assembly (GHA)  
1 wrench  
1 Petroleum Jelly Packet



Nozzle - Standard spray  
25 pieces per pack.  
Sold Per Pack.  
**Kit No. 259219**



Nozzle - Fan Spray Style  
25 pieces per pack.  
Sold Per Pack.  
**Kit No. 259216**



Replacement Gun Assembly.  
**Kit No. 158336**



\*The theoretical yield listed has become an industry standard for identifying certain sized of two components kits in relation to their general output of mixed foam. Theoretical yield would be perfect in laboratory conditions, without taking into account loss of blowing agent, off-ratio foam, varying temperature and humidity conditions and other impacters on the ability to obtain optimum foam reproduction from liquid chemical in the kits. You will no doubt obtain less than the theoretical yield amount.



## CYCLO HEAVY DUTY PRODUCTS - CLEANERS

### Carb Clean Pro Strength Fast Gum Cutter™

- Powerful solvent spray removes varnish, carbon & dirt.
- Cleans to restore power & fuel economy.
- Cleans throttle plate area of fuel injected vehicles, vacuum piston, cylinder and PCV valve. 12 12.5 oz. cans/case.

**Part No. C-1**



### Glass Clean™ Extra Strength Foam

- Safe for window tinting film
- Cuts grease, grime & nicotine film
- Contains no ammonia
- No run foam spray

12-19 oz. cans per case  
**Part No. C-331**



### Heavy Duty Engine Cleaner and Degreaser

- Penetrating solvent formula
- Quickly removes grease & grime
- Spray on, hose off

12-16 oz. cans per case  
**Part No. C-30**



### Battery Cleaner & Acid Leak Detector

- Cleans & helps protect battery terminals, clamps, connectors, cables & carriers
- Removes corrosion
- Locates and identifies acid leaks
- Extends battery life

12-12 oz.  
cans per case  
**Part No. C-120**



### Brake and Parts Cleaner

- Excellent cleaner
- Metal surfaces, CV joints, clutches, brakes.
- Non-Chlorinated.  
Note: This formula is flammable.

12-14 oz cans per case.  
**Part No. C-108C**



### All-Purpose Foam Cleaner

- Vinyl, carpet, fabric, plastic.
- Cleans and restores color and appearance.
- Deep-cleaning foaming action.
- Spray-on - wipe off

12-18 oz. cans per case  
**Part No. C-392**



### Brake & Parts Clean Pro Strength Non-Chlorinated

- Extra fast dryer and super strong cleaner
- Eliminates chlorinated solvent concerns in waste oil disposal  
Note: This formula is flammable

12-15 oz. cans per case  
**Part No. C-111C**





## CYCLO HEAVY DUTY PRODUCTS

### Break • Away Fast Penetrating Oil & Lubricant

- Penetrant & super lubricant
- Breaks loose rusted joints & bolts
- Controls rust, corrosion & squeaks
- Contains no silicone

12-13 oz. cans per case  
**Part No. C-10**



### White Grease Lithium Plus Teflon Unique liquefied blend of greases - penetrates, then solidifies

- Long lasting
- Stays pliable
- Reduces wear
- Stops Squeaks
- Great for hinges, latches, sliding cables, etc.

12-11 oz. cans per case

**Part No. C-34**



### Battery Protector

- Protective red-colored coating prevents corrosion
- Soft pliable formula flows into cracks and crevices for maximum protection
- Extends battery life

12-11 oz.  
cans per case  
**Part No. C-121**



### Power Steering Fluid

- Help stop leaks and squeaks
- Smooth year-around performance
- Protects against wear

12-32 oz.  
bottles per case  
**Part No. C-28**



### Undercoating

- Rubberized. Professional Looking Textured Finish
- Fights rust
- Soundproofs
- Quick drying
- Restores protection

12-17 oz. net wt.  
cans per case  
**Part No. C-35**



### Super Penetrant

- Loosens, cleans & lubricates rusted nuts, bolts and parts FAST.
- Penetrates instantly.
- Contains no silicone.
- NSF Certified.

12-11 oz. net wt.  
cans per case  
**Part No. C-400**



### Heavy Duty Silicone Spray -40 to +400 Deg. F

- Superior dry lubrication for metal, rubber, plastic
- Conditions and protects metal and rubber parts
- Seals out moisture
- More active silicone than many other brands
- Great for hinges,

12-10 oz. cans per case  
**Part No. C-33V**



### Brake Fluid

- Formulated for disc and drum brakes
- Mixes with all DOT 3 brake fluids
- High-temp formula 450° F min. dry boiling point

12-32 oz. bottles per case  
**Part No. C-56**



### Chain and Cable Lube Penetrates, Coats, Protects & Preserves

- O-ring safe
- Reduces friction and wear with a unique blend of lubricants fortified with molybdenum disulfide and graphite
- Foams on to stay in place then penetrates to provide maximum protection.

12-11.5 oz. cans / case  
**Part No. C-661**







## LUCAS OIL® PRODUCTS

**Lucas Heavy Duty Oil Stabilizer** is the #1 heavy duty and high performance oil supplement in the U.S. It eliminates dry starts and resists thermal breakdown for total protection in new engines. It raises oil pressure, adds lubricity, lowers oil temperatures and stops leaks. It also extends oil life by at least 50%. Use it in any manual transmission or differential to stop wear, leaks, heat, noise, and hard shifting. It safely blends with all petroleum products, even synthetics.

| Part No.      | Description                                 |
|---------------|---|
| <b>L10001</b> | Heavy Duty Oil Stabilizer<br>Quart 12 / box |
| <b>L10002</b> | Heavy Duty Oil Stabilizer<br>Gallon 4 / box |



### Synthetic Oil Stabilizer:

| Part No.      | Description                                |
|---------------|--|
| <b>L10130</b> | Synthetic Oil Stabilizer<br>Quart 12 / box |
| <b>L10131</b> | Synthetic Oil Stabilizer<br>Gallon         |



**Lucas UCL Fuel Treatment** is formulated for gasoline, diesel and LPG engines. It contains no harmful solvents or alcohol. This product is a blend of heat resistant, super slick oils and additives with a high detergent action that cleans and lubricates the fuel system. Used in diesel engines to neutralize the harmful effects of ultra low sulfur diesel fuel. This product will raise MPG.

| Part No.      | Description                                      |
|---------------|--|
| <b>L10003</b> | Fuel Treatment for Diesel<br>Quart 12 / box      |
| <b>L10013</b> | Fuel Treatment for Diesel<br>Gallon 4 / box      |
| <b>L10020</b> | Fuel Treatment for Diesel<br>5.25 Ounce 24 / box |



**Lucas Red "N" Tacky** is a smooth, tacky, red lithium 12HO grease fortified with a high degree of extreme pressure additives that give a TRUE Timken load much higher than other greases of this type. It stays in U-joints and resists wash-out, making it the perfect truck grease. It exceeds OEM "Lube For Life" specifications.

| Part No.         | Description                                 |
|------------------|---|
| <b>L10005/10</b> | Red 'N' Tacky Grease<br>14.5 Ounce 10 / box |



**Lucas Power Steering Stop Leak** is effective at removing hard spots and tightness in worn rack and pinions. Compatible with all power steering fluids.

| Part No.      | Description                                   |
|---------------|---|
| <b>L10008</b> | Power Steering Stop Leak<br>12 ounce 12 / box |
| <b>L10011</b> | Power Steering Stop leak<br>Quart 12 / box    |



**Lucas Power Steering Transmission Fix** cleans and lubricates sticking valves for proper shifting and controls heat and foaming.

| Part No.      | Description                           |
|---------------|---------------------------------------|
| <b>L10009</b> | Transmission Fix<br>24 ounce 12 / box |



| Part No.      | Description                                      |
|---------------|--|
| <b>L10030</b> | Fifth Wheel and Slider Lube<br>16 Ounce 12 / box |



| Part No.      | Description                                      |
|---------------|--|
| <b>L10043</b> | SAE 80W-90 Heavy Duty Gear Oil<br>Quart 12 / box |

| Part No.      | Description                         |
|---------------|-------------------------------------|
| <b>L10088</b> | Stop Leak Hub Oil<br>Quart 12 / box |
| <b>L10279</b> | Oil Stop Leak<br>Gallon 12 / box    |



| Part No.      | Description  |
|---------------|--|
| <b>L10070</b> | Air Tool Lube - Tool Box Buddy 2 ounce<br>18 / box |
| <b>L10216</b> | Air Tool Lube - Tool Box Buddy<br>Pint 12 / box    |
| <b>L10392</b> | Tool Box Buddy (Aerosol)<br>11 ounce 12 / box      |



**Lucas X-TRA Heavy Duty Grease** completely recovers after being extremely overheated. All of the properties of Red "N" Tacky, and lasts up to four times longer than conventional lithium grease.

| Part No.      | Description                                   |
|---------------|---|
| <b>L10330</b> | X-TRA Heavy Duty Grease<br>1 LB. Tub 12 / box |
| <b>L10301</b> | X-TRA Heavy Duty Grease<br>10 / box           |



**MYSTIK® LUBRICANTS**

**Mystik® JT-6® High Temp, Low Temp and Multi-Purpose Greases**  
**NLGI Certified GC-LB, NLGI No. 2**



| JT-6 HIGH TEMP Part No. | Container    | Case Qty. |
|-------------------------|--------------|-----------|
| 1412016                 | 14 oz. Cart. | 10        |
| 1412017                 | 120 lb. Keg  | 1         |
| 1412023                 | 35 lb. Keg   | 1         |



**Mystik® JT-6® Hi-Temp Grease** is an extremely versatile performer that is highly recommended for disc brake wheel bearings and is specifically approved for use in universal joints. Provides excellent protection for heavily loaded industrial, mining, and construction applications. Meets the highest performance categories of Automotive Grease Classification Systems.



**Mystik® JT-6® Multi-Purpose Grease** is our most water resistant and water insoluble product. Light-colored, low staining, and has a very low oil separation rate. Provides excellent anti-seize protection under high loads. Stays in place better than most other greases. It is fully rust and oxidation inhibited.



| JT-6 MULTIPURPOSE Part No. | Container    | Case Qty. |
|----------------------------|--------------|-----------|
| 1412018                    | 14 oz. Cart. | 10        |
| 1412019                    | 120 lb. Keg  | 1         |
| 1412022                    | 35 lb. Keg   | 1         |
| Spray Grease               |              |           |
| 1412020                    | 10.5 oz. Can | 12        |



**Mystik® JT-6® LO-Temp Grease** is Superior Multi-Purpose, EP Lubricant with Out-Standing Low Temperature Properties. Excellent water resistant, anti-wear and rust corrosion protection. JT-6 Low-Temp is especially recommended for extremely low to medium temperatures where friction and good flow at low temperatures are required.



| JT-6 LOW TEMP Part No. | Container    | Case Qty. |
|------------------------|--------------|-----------|
| 1412045                | 14 oz. Cart. | 10        |



**MYSTIK® LUBRICANTS**

**JT-7 Multi-Purpose Gear Lubricant**

**Mystik® JT-7® Multi-Purpose Gear Lubricants**

can take the heat and continue to provide superior EP protection. These gear lubricants exceed the performance requirements of the latest axle and non-synchronized manual transmission specs with exceptional durability under high temperature conditions. Minimum gear wear, excellent deposit control and improved rust and corrosion protection under extreme service conditions. Recommended for all automotive and heavy duty axle service including break-in, add-to or make-up, drain and refill, competition service, and service fill for limited slip axles.

**For API Gear Lubricant Service:  
GL-2, GL-3, GL-4, GL-5,  
GL-5+LS, GL-6, MT-1**

API Service MT-1 performance denotes lubricants intended for non-synchronized manual transmissions used in buses and heavy duty trucks.

**JT-7 Multi-Purpose SAE  
80W-90**

**Gear Lubricant JT-7**

**AGMA Lubricant No. 4 EP**

| Part No. | Container   | Qty. | Case |
|----------|-------------|------|------|
| 1412011  | Quart.      | 12   |      |
| 1412009  | 35 lb. Keg  | 1    |      |
| 1412008  | 120 lb. Keg | 1    |      |



**JT-7 Multi-Purpose SAE  
85W-140**

**Gear Lubricant JT-7**

**AGMA Lubricant No. 4 EP**

| Part No. | Container  | Qty. | Case |
|----------|------------|------|------|
| 1412015  | Quart.     | 12   |      |
| 1412013  | 35 lb. Keg | 1    |      |



**JT-7**  
Multipurpose 75W90  
120 lb. container  
**Part No.1412042**  
Synthetic Blend 75W90  
Quart  
**Part No.1412044**

**Mystik® JT-8® Synthetic Blend Super Heavy Duty Engine Oil**

A value-added synthetic blend lubricant with a carefully balanced additive system and premium base stock that gives outstanding deposit control. Recommended for commercial over-the-road fleets, construction equipment, buses, automobiles.

**Benefits:**

- Sludge, varnish, and control wear are minimized under the most severe service conditions.
- Provides superior soot-handling and wear protection.
- Helps to maintain long-term low emission performance.
- Offers superior high temperature protection.
- Easier starting and rapid oil flow in cold weather.



**Mystik® JT-8®  
Super Heavy Duty  
Engine Oils  
For API Service  
CG-4, CF-4, CE,  
CF-2, CD-ii, CF/SH\***

\*In appropriate viscosity grades

| Part No. | Description | Container |
|----------|-------------|-----------|
| 1412031  | 15W-40      | Quart     |
| 1412004  | 15W-40      | 2 Gallon  |
| 1412007  | 15W-50      | 2 Gallon  |



**Mystik® ATF Transmission Fluid  
Dexron/Merc, 1 quart.  
Part No. 1412033**



## CHEMICALS TO WEATHER THE ELEMENTS

### Air Brake Antifreeze and rust inhibitor. -Complete Winter Protection!

**Quarts - Part No. 1010060**

12 Per Case

**Gallons - Part No. 1010061**

6 Per Case



### Starting Fluid for Gasoline & Diesel Engines

**Part No. 1010053**

Effective to 65F degrees below zero.

45% ether for quick starting of cold engines.

Meets D.O.T. regulations.

11 ounce net weight can - 12 cans Per Case .



### PB BLASTER

Quickly breaks loose the surface tension of frozen parts and protects against further rust and corrosion.

11oz. Penetrating Catalyst.

12 cans per case.

**Part No. PB16**



### Winter Pow-R Plus Diesel Fuel Treatment

ULSD compliant.

Prevents gelling of diesel fuel.

Prevents ice crystal formation.

Helps enhance cetane.

Treats 250 gallons.

**Part No. 202032** Quarts, 12/CASE



### ANTIFREEZE - Extended Life Coolant

Shell Rotella ELC. Concentrate.

Gallon Size. 6 / Case.

**Part No. 1010056**



### ANTIFREEZE / COOLANT

**Our Antifreeze** is a universal ethylene glycol formulation that meets the low silicate requirements of diesel engines. When a 50/50 mix of antifreeze and water is used to fill the system, this will give the vehicle a freeze protection of  $-34^{\circ}\text{F}$  ( $-37^{\circ}\text{C}$ ), which is the recommended temperature of most major vehicle manufacturers. Be sure to check the owner's manual.

**Part No. 1010054** One Gallon Size

**Part No. 1010055** 55 Gallon Barrel! -Extra Savings!!

### Anti-Gel Fuel Treatment

No blending with No.1 diesel or kerosene is needed to achieve maximum cold weather protection. The cetane improver provides up to 4 numbers of cetane boost.

Prevents fuel gelling in temps below  $-40^{\circ}\text{F}$ .

**Part No. 01025-12** 32 oz - Treats up to 100 gallons  
1-400 gallon treatment ratio.

**Part No. 01080-06** 80 ounce -Treats up to 250 G.  
1-400 gallon treatment ratio.

**Part No. 01050-02** 2.5 gallon (320 oz) - Treats up to  
3,750 gallons. (Concentrate) 1-1500 gallon ratio.

**Part No. 01055-01** 55 gallon drum - Treats up to  
82,500 gallons. (Concentrate) 1-1500 gallon ratio.



### Diesel Kleen +Cetane Boost

A total injector cleaner and performance improver. This Max HP Formula loaded with cetane, detergent and lubricity improver provides peak performance.

**Part No. 03025-12 Quart** - Treats up to 100 gallons  
1-400 gallon treatment ratio.

**Part No. 03850-02 2.5 Gallon** - Treats up to  
7500 gallons. 1-1500 gallon treatment ratio

**Diesel 9-1-1** is used to disperse water in fuel systems, de-ice frozen fuel-filters, reliquefy gelled diesel fuel.

**Part No. 08025-12** 12-32 ounce per case  
Treats 30 to 75 gallons.

**Part No. 08080-06** 6-80 ounce per case  
Treats 100 to 200 gallons.

To remove water and prevent fuel-filter icing:

Add 80 ounces of Diesel 911 to 250 gallons of diesel fuel.

For biodiesel blends, add 80 ounces to 125 gallons of diesel fuel.



### BIO KLEEN® Diesel fuel biocide.

This dual-phased (effective in both diesel fuel and water) biocide kills microbes in fuel, including bacteria and fungus. Use this product to rid your fuel system of microbial contamination.

**Part No. 09016-09** 16 oz. Treats 880 gallons



### Clear-Diesel Fuel & Tank Cleaner

An advanced diesel fuel and tank cleaner. This Fuel Polishing Formula removes water and slime, disperses contaminants and stabilizes fuel during long-term storage

**Part No. 09225-06** Quart. Treats up to 40 gallons

**Part No. 09280-06** 80 oz. Treats up to 250 gallons





## ENGINE COOLANT - PENCOOL®

### Engine coolant. **Pencool® 3000 Stabil-Aid®**

Pencool 3000 is an advanced cooling system treatment that helps prevent the formation of gel deposits in cooling systems. These deposits can plug radiator passages, aftercoolers, and oil coolers, and can cause excessive water pump wear. Pencool 3000 blocks the formation of this gel, conditions cooling system water, and protects all cooling system metal components from corrosive attack. Use Pencool 3000 to maintain proper cooling system heat transfer characteristics and long engine life.

**Part No. 300016** Pint



## SHELL ROTELLA®

**Shell ROTELLA® T SAE 15W-40** with Advanced Soot Control is tested over millions of miles in the most extreme real-world conditions. It is a premium quality, heavy-duty multigrade oil for all-season use in diesel-powered or gasoline-powered equipment.

**Part No. SH1** - 1 gallon container

**Part No. SH5** - 5 gallon container



- Excellent viscosity control and shear stability.
- Outstanding engine cleanliness.
- Performance meets all requirements of today's high-performance, fuel-efficient, low-emission diesel engines operating in severe conditions.
- Excellent low-temperature flow properties.
- Enhanced high temperature oxidation stability. Exceptional deposit control.
- Exceptional control of valve train wear.
- Excellent engine protection and durability.
- Outstanding ability to handle soot.
- Extended oil drain capability

## FREYLUBE PREMA® TIRE LUBRICANT

### The original tire lubricant and rim rust retardant

FREYLUBE Prema is a single, ready-to-use multi-purpose product for mounting, dismounting and protection against rust.

Patented formula contains no water to cause rust or corrosion.

Won't evaporate or harden, ensuring long shelf life.

Economical. Costs only pennies per application.

Recommended for use on steel and aluminum wheels.

Designed for a wide temperature range (-40°F to 275°F) helping to prevent tires from fusing to rim.

Made in USA for over forty years.

100% money-back guarantee.

#### Easy To Use:

A thin coat of FREYLUBE is then placed sparingly on the interior surfaces of the cleaned rim. Install the tire in accordance with the manufacturers recommendations.



**Part No. FL25-1**  
25 lb. Pail  
**Part No. FL4-1**  
4.5lb Tub



# FLEETCRAFT PAINT

GHS format of Label.  
This label format must be used for all aerosol products as of June 1, 2015.



## Fleetcraft Spray Paint

| Part No. | Color             |
|----------|-------------------|
| 1210300  | Gloss White       |
| 1210303  | Gloss Black       |
| 1210304  | Flat Black        |
| 1210306  | Light Gray        |
| 1210307  | Bright Silver     |
| 1210311  | Bright Red        |
| 1210320  | School Bus Yellow |
| 1210326  | Dull Aluminum     |
| 1210340  | Gray Primer       |
| 1210344  | Red Primer        |
| 1210363  | Ford Dark Blue    |



## Fleetcraft Spray Paint

A high quality quick drying spray enamel that provides uniform coverage, good adhesion. In popular colors. 12 - 11 oz. net cans per case.

## MRO Plus High Solids Enamel Spray Paint

A superior, lead-free industrial spray paint formulated for maintenance operations where maximum performance is required. This spray paint does not run or sag, and offers the highest solid content (40%) of any spray paint on the market for maximum coverage. Net weight 17 ounces.

|               |                               |
|---------------|-------------------------------|
| 700-99-307-20 | High Solids Gloss Black       |
| 700-99-310-20 | High Solids Gloss White       |
| 700-99-312-20 | High Solids Light Gray Primer |
| 700-99-561-20 | High Solids Gray              |



Cap Designates Color

## Low Solid Enamel Spray Paint

Cap shows color of paint. Net weight 15 ounces.

|                       |                     |
|-----------------------|---------------------|
| Part No. 700-99-39-20 | Black               |
| Part No. 700-99-41-20 | Red Primer          |
| Part No. 700-99-42-20 | Red                 |
| Part No. 700-99-43-20 | White               |
| Part No. 700-99-44-20 | Flat Black          |
| Part No. 700-99-45-20 | Non-Smudge Aluminum |
| Part No. 700-99-68-20 | Light Gray Primer   |





## BRAKE CLEAN / LEAK TESTER

### BRAKE CLEANER - Chlorinated

Quickly and effectively dissolves and removes grease, oil, brake fluid and other contaminants from brakes, C.V. joints and clutch components. Degreases instantly, leaves no residue. Equally efficient on electrical assemblies. Non-flammable formula. Not for use in California.

**Part No. BC-1**



### LEAK TESTER

The Superior™ **smoke bomb** generates 40,000 cubic feet of whitish gray smoke while burning from two to three minutes. Used as a leak tester for van trailers.

**Part No. 3C-SMOKE**



## PERMATEX SEALANTS / SILICONES

### Black silicone sealant.

**Part No. 16BR (81158)**

Low odor formula! General-purpose, black RTV indoor/outdoor sealant. Seals, bonds, repairs, mends and secures glass, metal, plastics, fabric, vinyl, weather stripping and vinyl tops. Protects and repairs electrical wiring. May be applied to horizontal or vertical surfaces. Waterproof and flexible. Temperature range -75°F to 450°F (-59°C to 232°C); resists water, weather, and vibration. 3 ounces.



### Antiseize Lubricant.

**Part No. 80078**

A highly refined blend of aluminum, copper and graphite lubricants. Use during assembly to prevent galling, corrosion and seizing due to weathering or chemicals. Anti-Seize assures easier disassembly. Temperature range: -60°F to 1600°F Salt, corrosion and moisture resistant – ideal for marine use.

**Brush Top. 8 oz.**



### Blue silicone gasket maker.

**Part No. 80022**

OEM specified. The original Permatex Blue now with low odor formula. Will not foul oxygen sensors. Replaces almost any cut gasket. Makes reliable “formed-in-place” gaskets that resist cracking, shrinking and migrating. Coats pre-cut gaskets to increase reliability. Temperature range -65°F to 500°F (-54°C to 260°C) intermittent; resists auto and shop fluids, water, weather, and vibration. 3 ounces.



### Thread Sealant with PTFE.

**Part No. 80632**

Economical general-purpose fitting sealant. Outperforms tapes and pipe dopes. Seals and resists pressure in air, oil, diesel fuel and hydraulic systems. Remains pliable at higher and lower temperatures.

Temperature range -65°F to 300°F  
4 ounces.



### High-Temp Red RTV Silicone Gasket.

**Part No. 81160**

OEM specified. Formulated for hi-temp applications, Replaces almost any cut gasket by making reliable “formed-in-place” gaskets that resist cracking, shrinking and migrating caused by thermal cycling. Coats pre-cut gaskets to increase reliability. Temperature range -65°F to 650°F (-54°C to 343°C) 4 ounces.



### Anti-Seize Lubricant.

**Part No. 81464**

A highly refined blend of aluminum, copper and graphite lubricants. Use during assembly to prevent galling, corrosion and seizing due to weathering or chemicals. Anti-Seize assures easier disassembly.

Temperature range:  
-60°F to 1600°F Salt, corrosion and moisture resistant. **12 ounces aerosol.**  
Net wt 8.5.





## DIESEL EXHAUST FLUID - DEF

New truck engine manufactures will comply with the new emission standards imposed by the EPA Clean Air Act that came into effect on January 1st 2010. Under the new regulations, most engine manufacturers have chosen the Selective Catalyst Reduction (SCR) system as the most efficient way to meet these clean air standards.

**Diesel Exhaust Fluid (DEF)**, the operating fluid for SCR, is a non-toxic solution that transforms harmful Nitrogen Oxide (NOx) emissions from diesel-powered vehicles into harmless water vapor and nitrogen. According to engine manufacturers, SCR combined with DEF improves overall fuel economy by approximately 5% compared to competing technologies, and achieves NOx reductions in excess of 90%.

**DEF** is clear non-hazardous liquid. It is not a fuel, nor a fuel additive and needs to be used in a DEF dedicated tank in your diesel vehicle. It is replenished in a similar way to refueling diesel. Should you spill DEF on your hands, simply wash it off with water.

Average consumption of DEF is generally 2% per gallon of diesel fuel, so you will need to tank much less for DEF than you do for diesel fuel. 2.5 gallons will yield over 350 miles of travel.

**2.5 Gallon container, boxed, with pour spout**  
**Part No. DEF25 (Box quantity = 2)**

**55 Gallon drum**  
**Part No. DEFD**

**330 Gallon tote** (Core charge applies to tote)  
**Part No. DEF330**



## TRAILMOBILE EQUIPMENT CLEANERS

### TRUCK WASH

For Industrial Use Only. Corrosive Liquid N.O.S.  
(Containing Sodium Hydroxide)  
8, UN-1760, PG-II, Corrosive.

**Part No. 700-99-129**  
**1 Gallon Container**  
**4 gallons / case.**



A highly concentrated liquid product for use in removing old road film, diesel smoke deposits and oils/greases from pre-painted and FRP type trailers. Very effective in hard water areas. Quickly penetrates, emulsifies, and suspends contaminants. Can be used to clean and brighten aluminum and stainless steel trailers at proper dilutions. Will not harm glass or rubber but can tarnish polished or anodized aluminum. May be applied cold., do not allow to dry on surface.

### CLEANER AND BRIGHTENER

For Industrial Use Only.  
D.O.T. Corrosive Liquid N.O.S.  
(Containing Hydrofluoric  
and Sulfuric Acid)  
8, UN-1760, PG-II, Corrosive.

**Part No. 700-99-130**  
**4-1 Gallon Containers / Case**



A highly concentrated blend of biodegradable surfactants, inorganic mineral acids and water softening agents for use in cleaning and brightening stainless steel and aluminum trailers. Fast acting and free rinsing. Will damage glass and can tarnish polished or anodized aluminum. Do not allow to dry on surface. Proper dilutions listed on container.

## FREON - R134A AND WASHER SOLVENT

**R134A Freon**  
30 pound container  
**Part No. M8-31**



**Windshield Washer Solvent**  
Effective to -20°F.  
Gallon Size. 6 gallons / case.  
**Part No. WW1G**  
55 Gallon Size  
**Part No. WW55G**







## ELECTRICAL CABLE ASSEMBLIES

### Fleetcraft Coiled Cable Assemblies

- Remains flexible in low temperature
- Excellent long life memory.
- Tough black jacket resists abrasion, common commercial degreasers, solvents.
- Die-cast metal plugs with springs.

Heavy Duty, 6 12-Gauge Wires, 1 10-Gauge Wire

**Part No.** Working Length

**1010186** 12 foot

**1010188** 15 Foot

Economy, 6 14-Gauge Wires, 1 12-Gauge Wire

**1010185** 12 Foot

**1010187** 15 Foot



### Phillips Duracoil™ Heavy Duty Assemblies

- Remains flexible from -87° F to 195° F.
- Superior long life memory, flexibility, and abrasion resistance.
- Black jacket with nylon Permaplugs
- Standard with anticorrosive lithium grease for longer life.
- Meets or exceeds SAE J560 or J2222.

**Heavy Duty, 6 12-Gauge wires, 1 10-Gauge Wire With 2 Nylon Permaplugs**

**Part No.** Working Length

**22-9720** 15 Foot with one 6 foot lead



**PHILIPS**

### Duraflex Straight Cable Assembly 7 Conductor

- Operational from -40° F to 175° F
- Plugs equipped with strain-relief springs
- Plugs protected with anticorrosive grease
- Connector pins meet SAE J560
- Rated at 110 amps - continuous service

**6/12-Gauge, 1/10-Gauge**

**Part No.** Length

**22-2051** 12 Foot

**22-2071** 15 Foot



**PHILIPS**



## ABS CABLE ASSEMBLIES

### Phillips ABS LECTRACOIL™

The NHTSA approved method for powering trailers and dolly ABS systems requires a separate, constant power circuit (Blue) and a standby circuit (Red). The RP137 issued by The Maintenance Council (TMC) division of the ATA, recommends power availability to the electrical coil cord of the tractor of 10 amps at 12.5 volts for the blue (auxiliary) and red (stoplight) circuit. The ABS LECTRACOIL™ complies with all of the above. The LECTRACOIL™ is provided with the same durable jacketing as the Duracoil, in a distinctive "lectra green" color which provides instant recognition. Exceeds SAE J2222.

#### LECTRACOIL™ 4/12, 2/10, 1/8 Ga.

##### With 2 PERMAPLUGS™

| Part No. | Working Length        |
|----------|-----------------------|
| 30-9620P | 15 feet.              |
| 30-9920P | 15 ft., With 48" Lead |

##### With 2 Zinc Die-Cast Plugs

| Part No. | Working Length |
|----------|----------------|
| 30-9621  | 15 ft.         |

##### With 2 QCP™(Quick-Connect Plugs)

| Part No. | Working Length |
|----------|----------------|
| 30-9624  | 15 ft.         |



16-125

Cartridge  
for Quick  
Connect

### Phillips ABS LECTRAFLEX™

#### 7 Conductor ABS Cable

The LECTRAFLEX™ is provided with the same durable jacketing as the Duracoil, in a distinctive "lectra green" color which provides instant recognition.

Exceeds SAE J2222.

- (1) 8 Ga. white ground
- (1) 10 Ga. red stop light
- (1) 10 Ga. blue (ABS power)
- (4) 12 Ga. brown, black, yellow, green, for conventional trailer lighting.

#### 12 Foot Straight with 2 PERMAPLUGS™

##### Part No. 30-2050

#### 12 Foot Straight with 2 Zinc die-cast plugs

##### Part No. 30-2051

#### 15 Foot Straight with 2 PERMAPLUGS™

##### Part No. 30-2070

#### 15 Foot Straight with 2 Zinc die-cast plugs

##### Part No. 30-2071P

#### 100 foot roll of Lectraflex™

##### Part No. 3-327

#### 500 foot roll of Lectraflex™

##### Part No. 3-329

# PHILIPS



# PHILIPS





## ELECTRICAL CABLE ASSEMBLIES

### PHILLIPS ABS PERMACOIL™

- Comes with two 15-730 plugs.
- **Bright Green Jacket**
- Good Abrasion resistance
- -87° to +150 temperature range
- Good recoil memory, and large finger grips.

| Part No.        | Working Length                  |
|-----------------|---------------------------------|
| <b>30-4321</b>  | 12 Foot                         |
| <b>30-4621P</b> | 15 Foot                         |
| <b>30-4624</b>  | 15 Foot with QuickConnect plugs |
| <b>30-4921</b>  | 15 Foot with 48" lead           |

# PHILIPS



### ISOCOIL™

#### 1/8, 2/10, & 4/12 ga.

- Flexible from -82° F to 195° F.
- For ISO/auxiliary applications.
- Heavy-duty, reinforced zinc die-cast housing.
- Chemical and abrasion resistant.

15' coiled with two zinc die-cast plugs.

**Part No. 31-9623**

12' straight with two zinc die-cast plugs.

**Part No. 31-2053**



### Single Pole

#### Coiled Lift Gate Cable Assembly

- Operational from -50° F to 150° F
- Used for lift gate and remote battery charging applications - has dark green jacket
- Maximum current carrying capacity 200 amps
- Coil exceeds SAE J2222
- Includes 2 single pole plugs with springs

#### 4 Gauge Fine Strand Copper

| Part No.        | Working Length                     |
|-----------------|------------------------------------|
| <b>23-2628</b>  | 15 Foot (Dual Pole to Single Pole) |
| <b>23-4325P</b> | 12 Foot                            |
| <b>23-4625P</b> | 15 Foot                            |





**ELECTRICAL CABLE ASSEMBLIES**

**Six Conductor, 10' Mini-Coil with Thermoseal™ plugs, molded for long life. Flexible from -87° to 150° F.**

6 16-Gauge Wires, two THERMOSEAL™ plugs  
**Part No.** Working Length  
**19-6710** 10 Foot  
**19-6712** 12 Foot

4 16-Gauge Wires, two THERMOSEAL™ plugs  
**Part No.** Working Length  
**19-4712** 12 Foot  
**19-4715** 15 Foot



**ALTERNATIVE COILED CABLE ASSEMBLIES**

**Part No. 1010194**  
 Liftgate cable.  
 15 foot. Metal Plugs.  
 Dual Pole Plug  
 (Interchanges with 23-2626)



**Part No. 1010196**  
 Liftgate cable.  
 15 foot. Metal Plugs.  
 Single Pole Plug.  
 (Interchanges with 23-4625)



**Part No. 1010195**  
 Liftgate cable.  
 12 foot. Metal Plugs.  
 Single Pole Plug.  
 (Interchanges with 23-4325)



**Part No. 1010197**  
 15' ABS Coiled cable with plastic plugs.  
 4/12, 2/10, 1/8 ga.  
 48" lead.  
 (Interchanges w/ 30-9920.)



**BULK TRAILER CABLE**

**Bulk Trailer Cable - FLEETCRAFT®**

- Flexible, soft annealed copper wires.
- Jacket resists damaging common chemicals
- Wire colors meet ATA, TMC, SAE, recommendations



**Fleetcraft Bulk Trailer Cable**

| Part No.    | Wires | Gauge     | Roll |
|-------------|-------|-----------|------|
| 1011861     | 4     | 14        | 100' |
| 1011861-500 | 4     | 14        | 500' |
| 1094755     | 6     | 14        | 100' |
| 1094755-500 | 6     | 14        | 500' |
| 1010126     | 7     | 6-14/1-12 | 100' |
| 1010126-500 | 7     | 6-14/1-12 | 500' |
| 1011410     | 7     | 6-12/1-10 | 100' |
| 1011410-500 | 7     | 6-12/1-10 | 500' |



## ELECTRICAL WIRE & TRAILER CABLE

### Primary Wire in 100 Foot Spools

- Soft Annealed Copper
- SAE J1128
- Resists most chemicals, moisture, abrasion



### PVC Insulated Primary Wire

| Color  | 14 Gauge | 12 Gauge | 10 Gauge |
|--------|----------|----------|----------|
| Black  | 1031532  | 1031538  | 1031545  |
| Blue   | 1031537  | 1031539  | -        |
| Brown  | 1031536  | 1031540  | -        |
| Green  | 1031535  | 1031541  | -        |
| Red    | 1031534  | 1031542  | 1031549  |
| White  | 1031531  | 1031543  | 1031550  |
| Yellow | 1031533  | 1031544  | -        |

### 2 Conductor Jacketed Parallel Cable

Black and White conductors, heavy duty extruded gray jacket over 2 primary conductors. Package Length 100 ft.

| Part No. | Gauge    |
|----------|----------|
| 2-402    | 14/2 Ga. |
| 2-403    | 12/2 Ga. |



**PHILIPS**

### 2 Conductor Cable (.295 O.D. 14 GA.)

Brown and White conductors, extruded jacket over 2 primary conductors. Package Length 100 ft.

**Part No. 920183**



**Betts**

**3 Conductor Cable (.375 O.D. 14 GA.),** Brown, White, Red conductors, extruded jacket over 3 primary conductors. Package Length 100 ft.

**Part No. 920190**



### Wire Split Loom

- Split seam feature allows for easy wire insertion and service.
- Excellent for high heat, high abrasion applications.
- UV stabilized, black in color

| Part No. | I.D. | Part No. | I.D. |
|----------|------|----------|------|
| 804S-1   | 1/4" | 810S-1   | 5/8" |
| 806S-1   | 3/8" | 812S-1   | 3/4" |
| 808S-1   | 1/2" | 816S-1   | 1"   |





## INSULATED WIRE CONNECTORS

### Watertight Shrink and Seal

#### Insulated Ring Terminals

Crimp, heat, and shrink to fit for watertight connection

| 16 - 14 Gauge (Blue) |          | 12 - 10 Gauge (Yellow) |          |
|----------------------|----------|------------------------|----------|
| Ring Size            | Part No. | Ring Size              | Part No. |
| 3/8                  | 1-1926   | 3/8                    | 1-1936   |
|                      |          | 5/16                   | 1-1935   |
| 1/4                  | 1-1924   | 1/4                    | 1-1934   |
| 10                   | 1-1923   | 10                     | 1-1933   |
| 8                    | 1-1922   |                        |          |

**PHILIPS**



### Watertight Shrink and Seal

#### Insulated Butt Connectors

Crimp, heat, and shrink to fit for watertight connection

| 12 - 10 Gauge (Yellow) | 16 - 14 Gauge (Blue) | 22- 18 Gauge (Red) |
|------------------------|----------------------|--------------------|
| Part No.               | Part No.             | Part No.           |
| 1-1963                 | 1-1962               | 1-1961             |



**PHILIPS**

### Crimp Type Vinyl Insulated Ring Terminals

To avoid corrosion from moisture, heat shrink tubing is recommended after crimping for a watertight connection.

| 12-10 Gauge (Yellow) |          | 16 - 14 Gauge (Blue) |          |
|----------------------|----------|----------------------|----------|
| Ring Size            | Part No. | Ring Size            | Part No. |
| 3/8                  | 1-52254  | 3/8                  | 1-52154  |
| 1/4                  | 1-52234  | 1/4                  | 1-52134  |
| 10                   | 1-52224  | 10                   | 1-52124  |



**PHILIPS**

### Crimp Type Insulated Butt Connectors

To avoid corrosion from moisture, heat shrink tubing is recommended after crimping for a watertight connection.

#### Vinyl Insulation Nylon Insulation

| Gauge            | Part No. | Gauge          | Part No. |
|------------------|----------|----------------|----------|
| 12 - 10 (Yellow) | 1-51204  |                |          |
| 16 - 14 (Blue)   | 1-51104  | 16 - 14 (Blue) | 1-2262   |



**PHILIPS**



## INSULATED WIRE CONNECTORS

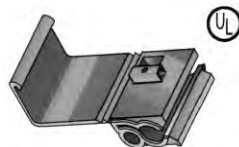
**Economy Crimp Type Insulated Butt Connectors** Plastic PVC insulated sleeve  
Quantities of 100

- Part No.** Gauge  
**83-2850** 12 - 10 (Yellow)  
**83-2380** 16 - 14 (Blue)  
**83-2180** 22 - 18 (Red)



**Economy Connector**

| Part No.    | Wire Size   | Color | Pack Qty. |
|-------------|-------------|-------|-----------|
| <b>BC50</b> | 18 - 10 Ga. | Tan   | 50        |



### SHRINK TUBING - for Primary Wire

An easy to use tubing that shrinks without melting - just slip over wire or splice and heat. Inner wall melts, providing a moistureproof connection.

- Color Coded
- Insulates wire splices
- Reinforces the terminal/wire connection



### Single Wall for Primary Wire

| Part No.     | I. D.  |       | Color  | Wire Size |
|--------------|--------|-------|--------|-----------|
|              | Before | After |        |           |
| <b>6-102</b> | 1/8"   | 1/16" | Red    | 18        |
| <b>6-103</b> | .245"  | .045" | Red    | 20-18     |
| <b>6-104</b> | 3/16"  | 1/11" | Blue   | 16-14     |
| <b>6-106</b> | 1/4"   | 1/8"  | Yellow | 12-10     |

### Dual Wall for Primary Wire

| Part No.     | Before | I. D. |       | Wire Size |
|--------------|--------|-------|-------|-----------|
|              |        | After | Color |           |
| <b>6-202</b> | 3/8"   | 1/8"  | Black | 8         |
| <b>6-204</b> | 1/2"   | 1/8"  | Black | 6-2       |
| <b>6-206</b> | 1-1/8" | 3/8"  | Black | 4/0-1     |
| <b>6-207</b> | 1-1/8" | 3/8"  | Red   | 4/0-1     |

### STA-DRY® CLEAR-VU™ Dual Wall

| Part No.     | Before | I. D. |        | Color | Wire Size |
|--------------|--------|-------|--------|-------|-----------|
|              |        | After | Color  |       |           |
| <b>6-103</b> | .245"  | .045" | Red    | 20-18 |           |
| <b>6-105</b> | .245"  | .080" | Blue   | 16-14 |           |
| <b>6-107</b> | .360"  | .010" | Yellow | 12-10 |           |

## CABLE TIES / ELECTRICAL TAPE

| Part No.        | Length  | Color   | Max. Bundle Dia. | Tensile Strength (lbs.) | Pack Size |
|-----------------|---------|---------|------------------|-------------------------|-----------|
| <b>8-43087</b>  | 7"      | Black   | 2"               | 50                      | 100       |
| <b>8-43117</b>  | 11"     | Black   | 3"               | 50                      | 100       |
| <b>8-43147</b>  | 14"     | Black   | 4"               | 50                      | 100       |
| <b>8-44147</b>  | 15"     | Black   | 4"               | 120                     | 100       |
| <b>T150MOX2</b> | 21"     | Black   | 6"               | 175                     | 50        |
| <b>3M-59343</b> | 8"      | Natural | 2"               | 50                      | 100       |
| <b>8-33117</b>  | 11"     | Natural | 3"               | 50                      | 100       |
| <b>3M-59351</b> | 15-1/2" | Natural | 4"               | 50                      | 100       |
| <b>3M-59355</b> | 15-1/4" | Natural | 4"               | 120                     | 100       |



### All Purpose Grade Vinyl Electrical Tape

7 Mil, 3/4" Wide,  
60 Foot Rolls  
UL Listed

**Part No. 10200ET**





## BATTERIES

### Heavy Duty Commercial Batteries:

We know that commercial / heavy duty vehicles can be very brutal to the life expectancy of a conventional battery. So we have given you the first line of defense - a battery with the power and muscle for each unique application. You can be sure of a higher standard of performance that is respected by truckers and heavy equipment haulers everywhere. And we back our batteries with one of the strongest warranties in the industry:

**24 month warranty from time of installation!**



### Group 31 Batteries

| Part No. | Group | CCA | Reserve |
|----------|-------|-----|---------|
| 31A-700  | 31A   | 700 | 180 RC  |
| 31A-925  | 31A   | 925 | 180 RC  |
| 31S-750  | 31S   | 750 | 180 RC  |
| 31S-925  | 31S   | 925 | 180 RC  |

### Group 65 & 78 DT Batteries

| Part No. | Group | CCA | Reserve |
|----------|-------|-----|---------|
| 65-84    | 65    | 850 | 160 RC  |
| 78DT-84  | 78 DT | 850 | 120 RC  |



### Features / Benefits:

#### A - STABL-LOK™ Bonding:

Improves vibration resistance with bonding applied to the center of the element.

#### B - SUITCASE HANDLE:

Eases installation, folds down.

Some batteries utilize manifold cover (not shown)

#### C - OFFSET POST WELD:

Provides reliable, torque resistant terminal connection.

#### D - REINFORCED RIBBED CASE:

Reduces acid washing, reduces case distortion, unifies component stability.

#### E - INCREASED POST DIAMETER:

Supplies superior current-carrying capacity and vibration protection.

#### F - LEAD / CALCIUM ALLOY:

Affords maintenance-free performance under normal operation conditions.

#### G - POLYETHYLENE SEPARATED PLATES:

Virtually eliminates shorts from plate contact.

#### H - CAST-ON STRAP:

Establishes a high-integrity plate-to-strap bond for reduced internal resistance and prolonged battery life.

#### I - CONTINUOUS PLATE-MAKING PROCESS:

Produces a uniform grain structure in the lead alloy and reduces corrosion.

#### J - WAFFLE BOTTOM:

Strengthens case, reduces stress deformation, resists punctures from stones and foreign objects.

#### K - SAE AUTOMOTIVE OR THREADED POSTS:

Allow easy replacement and OE fitment.





**BATTERY AND STARTER CABLE**

**BATTERY AND STARTER CABLE**

- 25 Foot lengths.
- Rope stranded for increased flexibility.
- Made of soft annealed, fully stranded copper conductors.



| Part No. | Size    | Strands  | Color | O. D. |
|----------|---------|----------|-------|-------|
| 1031503  | 4 Ga.   | 133 x 26 | Red   | .390  |
| 1031504  | 4 Ga.   | 133 x 26 | Black | .395  |
| 1031505  | 2 Ga.   | 133 x 24 | Red   | .435  |
| 1031506  | 2 Ga.   | 133 x 24 | Black | .435  |
| 1031510  | 1/0 Ga. | 133 x 21 | Black | .555  |
| 1031511  | 2/0 Ga. | 259 x 23 | Red   | .595  |
| 1031512  | 2/0 Ga. | 259 x 23 | Black | .595  |
| 1031514  | 3/0 Ga. | 259 x 22 | Black | .670  |



**BATTERY TERMINALS / LUGS/ STRAPS**

**Lead Charging Post For 3/8" Stud Type**

Part No. 8-6421  
(Sold per pair)



**3/8" Nut**  
Corrosion resistant nut for Group 31 terminal securement  
Part No. 8-662



**Crimpable Copper Post Type**

| Part No. | Wire Gauge | Post Type |
|----------|------------|-----------|
| 8-1160   | 2/0        | Pos       |
| 8-1161   | 2/0        | Neg       |



**Heavy Duty All Copper Ground Lugs**  
•Flared Opening •Crimp or Solder

| Part No. | Gauge | Stud Size |
|----------|-------|-----------|
| 8-2121   | 4     | 1/4"      |
| 8-2122   | 4     | 5/16"     |
| 8-2133   | 2     | 3/8"      |
| 8-2153   | 1/0   | 3/8"      |
| 8-2163   | 2/0   | 3/8"      |
| 8-2165   | 2/0   | 1/2"      |
| 8-2173   | 3/0   | 3/8"      |
| 8-2175   | 3/0   | 1/2"      |
| 8-2183   | 4/0   | 3/8"      |
| 8-2185   | 4/0   | 1/2"      |



**Battery to Battery Cable**

2/0 Copper terminals with shrink tubing.

| Part No. | Gauge | Length |
|----------|-------|--------|
| 058118   | 2     | 8"     |



**Ground Strap**

| Part No. | Gauge | Length |
|----------|-------|--------|
| 9-150    | 4     | 12"    |



**Battery Jumpers. Group 31.**

Non-rotating, heavy duty battery terminals. 2/0 gauge cable and terminals

9", 3/8" hole, positive(Red)  
Part No. 058128



**Circuit Breaker**  
150 AMP Manual Reset  
Part No. CB185-150



12", 3/8" hole, negative(black)  
Part No. 9-212



# SWITCHES

### Switch Backup Lamp

Universal type. 2 threaded screw studs, terminals.

Replaces Kenworth, K30133, Freightliner 06-10525, Mack 1MR2297, others.

**Part No. 21-361**



### Momentary Start Switch

60 amps at 12V, 40 amps at 24V. Weather and dustproof.

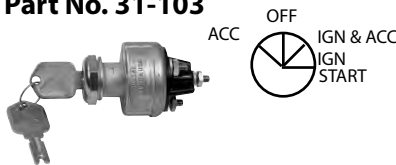
**Part No. 24-360**



### Ignition Starter Switch

4 position - 2 keys supplied. Terminal nuts, lock washers, hex back nut, knurled face nut supplied, diecast housing. Fits panel with 3/4" hole.

**Part No. 31-103**



### Toggle Switch

6 - 24V, 50 Amp. On - Off S.P.S.T. 2 Positions, 2 Screw Terminals

**Part No. 34-212**



### Toggle Switches

**6 - 24V, 50 Amp**  
MOM On-Off MOM On S.P.D.T. 3 Positions 3 Screw Terminals

**Part No. 34-215**



On-Off-On S.P.D.T. 3 Positions 3 Screw Terminals

**Part No. 34-218**

### Rocker Switch

Universal, snap in type mounting bracket. 20 amp-12V Red pilot light. On - Off S.P.S.T. 2 pos/3 screw terminals. White actuator, nickel plated bezel.

**Part No. 34-305**



### Toggle Switch 6 - 24V, 20 Amp

On-Off S.P.S.T. 2 Positions, 2 Screw Terminals

**Part No. 34-571**



### Toggle Switch 6 - 24V, 20 Amp

On-Off-On S.P.D.T. 3 Positions 3 Screw Terminals

**Part No. 34-573**



### Toggle Switch 6 - 24V, 20 Amp

MOM On-Off MOM On S.P.D.T. 3 Positions 3 Screw Terminals

**Part No. 34-575**



### Toggle Switch 6 - 24V, 20 Amp

On-On D.P.D.T. 2 Positions 6 Screw Terminals

**Part No. 34-576**



### Toggle Switch 6 - 24V, 20 Amp

On-Off-On D.P.D.T. 2 Positions 6 Screw Terminals

**Part No. 34-577**



### Push - Pull Switch

Extra Heavy Duty 2 Position. 6 - 28 Volts 75 Amp S.P.S.T. Heavy duty die cast body, chrome plated knob, copper terminals.

**Part No. 35-306**



### Dimmer Switch

Floor mounted type, 3 special terminals

**Part No. 52-252**

Replaces: Ford COTF-13A024A, COTZ-13A024A



### Dimmer Switch

Special floor mounted type, 3 special terminals for plug connection.

**Part No. 52-253**

Replaces: Delco-Remy 1997028, 1997031, 1997035, 1997036, 1997037, 3841892, GM 538446, 539288, 578005



### Push - Pull Switch

Heavy Duty. Mounts through 5/8" diameter hole. Illuminated knob, 20 amp capacity, single pole normally open circuit.

**Part No. TL102**



**Pollak**

A Stoneridge Company



## SWITCHES AND TURN SIGNALS

### Master Disconnect Switch

Lever operated - 6 - 36V;  
180 amps continuous capacity;  
1000 amps in rush. S.P.S.T. (Off-On)  
2 stud terminals for battery circuit only.  
Does not disconnect alternator or generator field circuit. On vehicles equipped with alternators engine must be shut off to avoid potential damage to alternator diodes.  
Instruction sheet included.

**Part No. 51-902**



### Master Disconnect Switch

Lever operated - 6 - 36V;  
D.P.S.T. (Off-On) 4 stud terminals for battery and alternator or generator field circuit. Designed to break alternator generator circuit prior to battery circuit disconnect. Use for gasoline and oil tank trucks as well as other applications. Two 3/8" and two 10-32 copper alloy stud terminals.  
Instruction sheet included.

**Part No. 51-904**



### Solenoid Switch

Continuous duty.  
Solenoid insulated.  
With hardware. Flat bracket

**Part No. 52-307**

Replaces: Delco 1114218,  
Prestolite 15-132, 133, 236,  
311, SAS-4201, 4202, 4213



### Starter Solenoid Switch

Universal - 12V applications  
- grounded base, flat bracket,  
internally grounded to housing,  
other end connected to small  
terminal.

**Part No. 52-305**



### Precision Ball Switch

Normally Open, Exposed Terminal  
(Stud Terminals)  
5-24 volt.DC.

**Part No. 21-458**



### Door Switch - Courtesy Lamp

Normally Open, Exposed Terminal  
(Stud Terminals)  
5-24 volt. DC.

**Part No. 52-624P**



(52-620 Switch and 52-622 Mating Connector.  
Door Jamb Switch- Sealed.)

### BUZZER

**Part No. 52-400**

Universal- Truck Low Air Pressure  
And Bus Rear Door Warning.  
2 Screw Terminals.

76dB @ 4:

REPLACES:

Ford FDM 2938A;

CMC Truck and Coach 76023;

Wayne Works Div.,

Divco-Wayne E-11811A

and other 12 volt applications



### Toggle Boot

**Part No. 25-370**

The best combination of space-  
saving size and economy for Light-  
Duty applications, Universal for  
Automotive, Light Truck, Off-Road  
and Recreational vehicles.



**Pollak**

A Stoneridge Company



## SWITCHES

### STOP LIGHT SWITCH

Meets the requirements of DOT121.  
Brass body with silver and cadmium contacts for long life and low voltage drop.  
Rated at full 24 amp load.  
1/4 - 18 NPTF.

**Part No. 1013250**



### SL-5

#### STOP LIGHT SWITCH

|                 |                           |
|-----------------|---------------------------|
| <b>Part No.</b> | <b>Terminal Thd. Size</b> |
| <b>K108142</b>  | #8-32                     |
| <b>K101997</b>  | #10-32                    |



### DS-2

#### DOUBLE CHECK VALVE AND STOP LIGHT SWITCH

3/8" ports, #8-32  
**Part No. K108142**



### SL-4

#### STOP LIGHT SWITCH

1/4" pipe thread  
**Part No. 274746N**



### SERVICE CIRCUIT STOP LIGHT SWITCH

Actuates at 3 - 5 PSI.  
Single pole, 2 terminal design. Circuit normally open at 0 PSI.  
Solid state contacts.  
**Part No. BE13250**



### TRAILER EMERGENCY STOP LIGHT SWITCH

Actuates at 55 PSI.  
Single pole, double throw, 3 terminal design.  
Circuits are normally one open, one closed.  
**Part No. BE13255**



### LP-3

#### LOW PRESSURE INDICATOR

Single Terminal

|                         | <b>Cut-out Pressure</b> | <b>"A" Pipe Thread</b> |
|-------------------------|-------------------------|------------------------|
| <b>Part No. 279416N</b> | 60±6                    | 1/4"                   |
| <b>289397N</b>          | 75±6                    | 1/8"                   |



### LOW AIR SWITCH

Single Pole,  
2 terminal Design  
Circuit normally closed at 0 PSI  
1/8-27 Thread  
**Part No. BE13241**



### TRACTOR SPRING BRAKE CIRCUIT LIGHT SWITCH

Actuates at 55 PSI.  
Single pole,  
2 terminal design.  
Circuit normally closed at 0 PSI.  
**Part No. BE13240**



### Heavy Duty 2 to 18 Bulb Turn Signal Switch with High/Low Beam

- 6 - 12V, eighteen 32 c. p. bulbs
- Universal replacement with lift handle headlight dimmer
- Black finish

**Part No. GR48282**



### Turn Signal Switch, Flat Black - Part No. TL900

- 7 Wire harness. 12V
- Heavy Duty Die Cast Housing
- Heavy Duty flare tab for hazard warning
- Pilot Light for Turn Signal and Hazard
- 10 bulb capacity for hazard warning, 5 bulbs per side for turn signal flashing



### Turn Signal Switch, Flat Black - Part No. TL905

- 12V. •10 Wire harness
- Signal arm features built-in push button high/low beam selector switch
- 10 bulb capacity for hazard warning, 5 bulbs per side for turn signal flashing

(Replacement relay for TL905 - **Part No. TL129**)





**FUSES AND CIRCUIT BREAKERS**

**ATO® Spade Type Fuses**

| Part No. | Description | Color  |
|----------|-------------|--------|
| 091173   | ATO 3       | Violet |
| 091175   | ATO 5       | Tan    |
| 091177   | ATO 7½      | Brown  |
| 091180   | ATO 10      | Red    |
| 091181   | ATO 15      | Blue   |
| 091182   | ATO 20      | Yellow |
| 091183   | ATO 25      | Clear  |
| 091184   | ATO 30      | Green  |



**Circuit Breakers - Universal**

Meets SAEJ553. Automatic reset  
Less Mounting Bracket

| Part No. | Amp Rating |
|----------|------------|
| 54-115   | 15         |
| 54-120   | 20         |
| 54-125   | 25         |
| 54-130   | 30         |
| 54-140   | 40         |



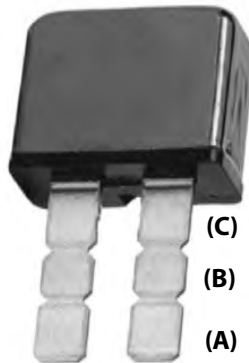
**Blade Type Circuit Breakers**

Direct replacement for ATO and ATC style fuses  
Eliminates replacement of burned out fuses  
Special "snap-off" blade design helps minimize inventory. Meets requirements of SAE J553C Type I\*  
\*Type 1 breakers are designed to continuously cycle or reset during an overload situation.

| Part No. | Amp Rating |
|----------|------------|
| 091072   | 15         |
| 091073   | 20         |
| 091074   | 25         |
| 091075   | 30         |

**Application Guide**

| Position | Length | Vehicle             |
|----------|--------|---------------------|
| A        | .75    | Ford Truck          |
| B        | .50    | GMC, Ford, Navistar |
| C        | .30    | Kenworth            |



**Circuit Breakers**  
**Universal - Meets SAE J553**  
**Automatic reset**  
**With Mounting Bracket**

| Part No. | Amp Rating |
|----------|------------|
| 54-530   | 30         |



**Heavy Duty Relay Kit.**  
12V. 40 amp. 5 terminals.  
Mounting Tab included  
**Part No. 091231**



**Mini® Fuses**

| Part No. | Amp Rating | Color  |
|----------|------------|--------|
| 091305   | 10         | Red    |
| 091306   | 15         | Blue   |
| 091307   | 20         | Yellow |
| 091308   | 25         | Clear  |
| 091309   | 30         | Green  |



**Heavy duty In-Line Fuse Holder**

Use with 25 or 30 amp ATO fuses.

**Part No. 52-216**

Supplied with two 4" leads of 12 gauge wire.



**Pollak**



**A Stoneridge Company**



# HALDEX ELECTRICAL PLUGS AND RECEPTACLES

## 7 Way Receptacle with Circuit Breakers With and Without Adaptor Housing

### Style A - With adaptor housing

**Part No. Circuit Breakers**  
**BE24120** 20 Amp

### Without adaptor housing

**Part No. Circuit Breakers**  
**BE24020** 20 Amp  
**BE24030** 30 amp  
**BE24000** None



### Style B - Without adaptor housing

**Part No. Circuit Breakers**  
**BE24001** None



## 7 way socket

**Part No. BE23703**

5° slant for drainage.  
Machine brass split pins,  
zinc coated.  
SAE J560 specifications.



## 4 way plug

**Part No. BE23403**

Interchangeable with  
competitive models. Zinc casting.  
Engineering Grade Composite inserts.  
Adjustable cable clamp to adapt  
to various cable diameters.  
Finger pulls to allow easy, safe removal.



## 4 way receptacle

**Part No. BE23402**

Interchangeable with  
competitive models. Zinc casting.  
Engineering Grade Composite inserts.



## Single pin receptacle

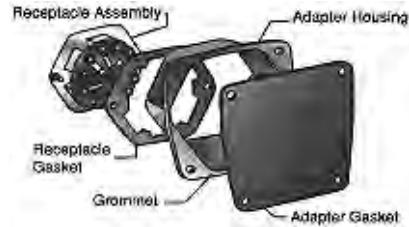
**Part No. BE23101**

Engineering Grade Composite (EGC)  
chemical resistant insert. Zinc diecast housing.  
Solid brass contacts. 150 amps for high amp  
circuit requirements such as trailer liftgate  
motors, and auxiliary equipment.



## 6 way plug

**Part No. BE23603**



## Replacement Receptacle Gasket

**Part No. B20022**

## Weatherguard Boot for 7-way Socket.

**Part No. B205010**



## Replacement Cover Kit

**Part No. BQ24002**

Circuit Breaker Style 7-Way Receptacle  
**Notes:** Includes Pin and Spring.



## 6 & 7 Way Receptacle With split pins

- 20 amp circuit breakers
- For surface mount
- Projects 2.56" from mounting surface
- Mounting gasket included

**Part No. BE24220**



## 7 Way Receptacle Ring Terminal Type

- Housing made of Engineering Grade Composite
- 5° slant for drainage
- Lifetime warranty - If cover breaks off, unit will be replaced.
- Brass split pins

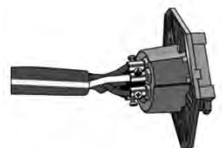
**Part No. BE23707**



## 7 Way Receptacle Plug-In Type

- Housing made of Engineering Grade Composite
- 5° slant for drainage
- Lifetime warranty - If cover breaks off, unit will be replaced.
- Brass split pins

**Part No. BE23705**





**PHILLIPS ELECTRICAL PLUGS AND RECEPTACLES**

**7 Way Zinc Die Cast Receptacles**

- Full opening lid for ease of plug insertion
- Slanted 5 degrees for moisture drainage
- Easily field serviceable
- Machined brass pins
- Stainless steel lid spring and hinge pin

| Part No. | Description          |
|----------|----------------------|
| 15-720   | 2-Hole Mount (Shown) |
| 15-722   | 3-Hole Mount         |
| 15-724   | Split pin insert     |



**7-way socket receptacle boot**

- Weather-guard universal boot
- Neoprene - maximum protection against weather and ozone

Part No. 15-740

**Single Pole Receptacle**

Zinc Die Cast Copper battery lug to insure contact  
Stainless hinge pin and spring

Part No. 15-320



**Dual Pole**

Part No. 15-326

**4 Way Receptacle**

Part No. 15-400

**6 Way Receptacle**

Part No. 15-600

**Socket mounting bracket for 6 & 7 way.**

Part No. 15-788

**6 Way socket boot**

Part No. 15-640



**7 Way Zinc Die Cast Plugs**

- 100% brass floating pins
- Large finger grips
- Large interior for ease of wiring
- Positive direct drive cable clamp

| Part No. | Description          |
|----------|----------------------|
| 15-730   | With Spring Guard    |
| 15-710   | Without Spring Guard |

7 Way Plug Insert

Part No. 15-711



**7 Way Nylon Plug**

- Nylon housing
- 100% Brass pins
- Uses standard 15-711 replacement insert
- Cable guard and compression cable clamp prevents accidental cable pull out -
- Exceeds SAE J560B

Part No. 16-730



**Single Pole Plug**

With Strain Relief Spring  
Zinc Die Cast, 4 Gauge maximum  
Copper battery lug to insure contact

Part No. 15-335



**Dual Pole Plug**

Part No. 15-336



**4 Way Plug**

Less cable guard

Part No. 15-410



**4 Way Plug with Cable Guard**

Part No. 15-430



**6 Way Plug**

Less cable guard

Part No. 15-610



**6 Way Plug with Cable Guard**

Part No. 15-630





# PHILLIPS ELECTRICAL PLUGS AND RECEPTACLES

## ISO 3731 ABS

Sanctioned by the Truck Manufacturers Association (T.M.A.) and the truck Trailer Manufacturers Association as the optional and separate ABS connector. Built to specifications per the International Standards Organization. For applications requiring a separate ABS power and warning light, such as on triple combination vehicles.

### 7-Way Socket w/ring terminal

**Part No. 16-822**



### 7-Way Receptacle w/QCS bullets & lock

**Part No. 16-826**



### Socket Breaker without breakers

**Part No. 16-860**



### 7-Way ISO 3731 with metal plug.

**Part No. 15-830**



## Die Cast Receptacle Housing

1-7/8" Deep,

**Part No. 15-769**

3-1/8" Deep,

**Part No. 15-775**



## Nose Box Adaptor Plate

Multiple mounting holes

**Part No. 15-770**



Single Deep Nose Box

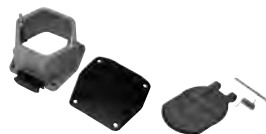
**Part No. 16-775**

Lid repair kit for Sta-Dry (Gray)

**Part No. 16-798**

Dual Deep Nose Box

**Part No. 16-777**



## Socket Breaker

**Part No. 16-77029-28**

28 Solid pins, without circuit breakers, with single nose box

## QBOX Nose box w/o breakers

**Part No. 16-8510**

## Permalogic Nose Box, 20 amp

**Part No. 60-2520-20**



## STA-DRY™ Receptacles

With and Without Circuit Breakers  
Glass Filled Nylon and Zinc Die Cast

- Waterproof
- Molded Insert
- Stainless lid spring and hinge pin
- Neoprene gaskets
- Stackable ground post



### Zinc Die Cast

| Without Breakers | 20 Amp Breakers | 30 Amp Breakers | Part No. |
|------------------|-----------------|-----------------|----------|
| 15-760           | 15-762          | 15-763          | 15-773   |

Faceplate for Zinc Die Cast.

### Glass Filled Nylon

| Without Breakers | 20 Amp Breakers | 30 Amp Breakers | Part No. |
|------------------|-----------------|-----------------|----------|
| 16-760           | 16-762          | 16-763          |          |



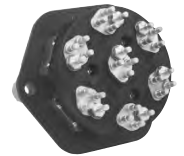
## STA-DRY® 7-Way Socketbreakers

w/ 28 Pin Rear

- Allows up to 4 connections on 1 circuit.
- Accepts .180 bullet terminals.
- For Plug-In Harnesses.

| Part No.   | Part No.   |
|------------|------------|
| 16-7602-28 | 16-7622-28 |

Solid pins, w/o circuit breakers    Solid pins, with 20 amp circuit breakers



Split pins, without circuit breakers with single nose box.  
**Part No. 16-7709-28**

## STA-DRY™ Receptacles

Exclusive design to prevent moisture from entering electrical circuits. Virtually eliminates corrosion.



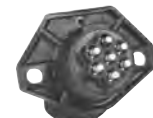
Wire Insertion  
**Part No. 16-720**



Ring Termination  
**Part No. 16-722**



Sta-Dry Socket Bullet Terminal  
**Part No. 16-724**



7 way socket, bullet with locking clip.  
**Part No. 16-726**



www.phillipsind.com





**GROTE ELECTRICAL PLUGS AND RECEPTACLES**

**Grote Ultra-Pin Receptacles  
2 & 3 Hole Mount**

- Die cast zinc
- Barrel slanted to drain moisture
- Mounting holes slotted for universal fit
- Floating pins for easy alignment
- Kit contains retrofit plug-in terminal kit consisting of 9 terminals and 9 boots
- Weather-tight



Nose Box Receptacle.  
4 hole mount. Split Pin.

**Part No. GR87830**

- FEATURES: • Slanted barrel for drainage  
• Floating pins for easy alignment and solid mating connection. • High impact retainer plate  
• Brass pins • Die-cast aluminum housing resists rust.



**2 Hole Mount**

**With terminal kit Part No. GR87270**  
**Receptacle only Part No. GR87250**



**3 Hole Mount**

**With terminal kit Part No. GR87240**  
**Receptacle only Part No. GR87220**



**Door Hinge Repair Kit**

Door is die cast zinc. Solid brass pin.  
Kit contains: hinge pin, door and spring

**Part No. GR99680**



**FLEETCRAFT / POLLAK ELECTRICAL PLUGS AND RECEPTACLES**

7-Way Receptacle  
**Part No. 1015720**



7-way plug with cable guard  
**Part Number 1015730**



7-way receptacle-solid pin  
**Part Number 11-720**



7-way socket  
**Part Number 11-833P**



7-Way Connector, plastic plug.  
**Part No. 12-706**



7-Way Connector, plastic.  
**Part No. 12-707**



7-way connector-plug & socket  
**Part Number 12-700**



7-way metal socket connector  
**Part Number 12-702P**



7-way plug with cable guard  
**Part Number 12-703P**



**COLE-HERSEE ELECTRICAL PRODUCTS**

**Part No. 4099**  
Universal Buzzer with moisture repellent insulator.  
**Part No. 55054**  
Toggle switch, momentary on.  
Six screw terminals.  
Plastic with plated steel cap.  
25 amp at 12V DC.



**Part No. 90005-01**  
Reversing rotary switch (universal). 15 amp, 4 screw terminals. 3 positions.



**Toggle switch** with recessed plate. 2 blade terminals. Nickel-plated brass. 10 amp at 12V DC.  
**Part No. 5543**  
25 amp at 12V DC.  
**Part No. 5582**



**Part No. 11041-06**  
2-way socket



**Part No. 11042-05**  
2 pole plug



**Part No. 5582-10**  
Toggle switch, 2 position, weather proof. 25 amp at 12V DC.



**Part No. 81264**  
Weatherproof Toggle Boot



**Part No. C11750**  
Stor-A-Way Plug holder. 4,6,7 way.





## TOOLS OF THE ELECTRICAL TRADE

### 7-way plug and socket brush.

Stainless steel bristles for durability.  
Perfect for glove box, or tool box.

**Part No. 4-121**

**PHILIPS**



### Stow-A-Way™

Safe, easy storage for coiled electrical cable  
and air lines when not in use.  
Anti-corrosive, durable housing.  
Air & electrical can be coupled/uncoupled  
with both feet on the ground.

1 Plug, 2 Gladhand holder:

**Part No. 15-041**

2 Plug, 2 Gladhand holder:

**Part No. 15-042**

(Shown)



### Scotch® Super 33+ Vinyl Electrical Tape

**Part No. SUPER33**

Professional use 7-mil, flame retardant,  
weather resistant tape. Resists temperature  
and moisture for splicing.

Meets requirements of  
UL 510, HHI-595, CSA 22.2.

-18°C to 105 °C.

3/4" x 66 ft.



### 7-way LED circuit checker for J560 system plugs

Checks conductivity of all circuits.  
LED lights glow when circuit is functioning  
correctly. Internally grounded.

**Part No. 15-208**

**PHILIPS**



### 7-way LED circuit checker for J560 system sockets

Checks conductivity of all circuits.  
Fits all standard 7 way blade type,  
4 way flat connectors and 7 way round.  
LED lights glow when circuit is functioning correctly.  
The patented tester is internally grounded.

**Part No. 15-200**



### Tandem Frame Clip

Great for wire, air hoses & tubing.

Easy to install,  
simply slide clip into place  
(can also be used with rivet  
or self-taping screws)

**Part No. 5-5007**



### All Purpose Grade Vinyl Electrical Tape

7 Mil, 3/4" Wide,  
60 Foot Rolls  
UL Listed

**Part No. 10200ET**



## ELECTRICAL DASH FANS

### Dash Fan

- Round 3 hole mount.
- Drawn steel base.
- 2 Speed 12V motor
- 4 blades
- 3 position toggle switch
- Adjustable position swivel
- Includes pigtail wires  
and mounting gasket
- Medium Duty

**Part No. 100012**



### Dash Fan

#### Heavy Duty

- Heavy duty die cast base,
- Square 4-hole mount
- 4 blades
- Heavy duty 12V and 24V  
motors
- 1 or 2 speed wound field  
motor
- Adjustable position swivel.

**12V Part No. 300012**

**24V Part No. 300024**





## ELECTRICAL PLUGS AND RECEPTACLES

### Truck-Lite 7 Way Receptacle

- Made of GE Noryl - tough, nonconductive, corrosion-resistant
- Cadmium plated floating brass pins
- For use with ring type terminals
- Direct wired ground
- Circuits identified by both color codes and embossing



Mounting holes on 4.50" centers.  
Housing 4.38"H X 5.12".

Trucklite recommends use of rubber boots with flush mounting receptacles.

Standard 7 Way Body,  
Solid Pins:  
**Part No. TL50860**

Standard 7 Way Body, Split Pins:  
**Part No. TL50861**

Receptacle With 20A Circuit Breakers, Split Pins:  
**Part No. TL50865**

Receptacle w/threaded stacking studs, solid pins  
**Part No. TL50866**

Receptacle With Threaded stacking Studs, Split Pins:  
**Part No. TL50867**



### Surface Mounting Adaptor Boxes

- Made of Noryl to allow surface mount of large receptacles.
- Molded-in brass inserts for receptacle mounting.
- Available in deep (2" inside depth) or shallow. (1.25" inside depth)
- Bottom entry or back entry versions.

Shallow Adaptor Box,  
Bottom Access:  
**Part No. TL50880**

Deep Adaptor Box,  
Bottom Access:  
**Part No. TL50882**

Deep Adaptor Box,  
Back Access:  
**Part No. TL50883**



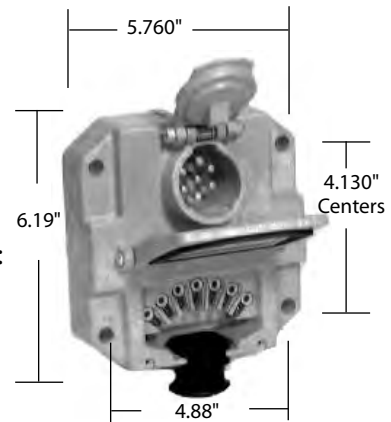
### Truck-Lite Nose Box

- Made of foam polycarbonate
- Chemical resistant, virtually indestructible
- Internal electrical contacts are sealed to eliminate corrosion.
- Available with or without circuit breakers
- Main cable hookup terminals are color identified.

Nose Box Without  
Circuit Breakers:  
**Part No. TL50805**

Nose Box With  
15A Circuit Breakers:  
**Part No. TL50806**

**Parts:**  
Cap latch for  
7-way Receptacle:  
**Part No. TL50808**



### Truck-Lite Flush Mount 7 Way Receptacle

- Made of GE Noryl, nonconductive, corrosion-resistant
- Cadmium plated floating brass pins
- For use with ring type terminals
- Direct wired ground
- Circuits identified by both color codes and embossing

Standard 7 Way Receptacle,  
2 Hole Flange, Split Pins:  
**Part No. TL50869**



### Cover Service Kit

- 4 piece service kit for all receptacles
- Noryl cover, steel hinge pin, stainless steel spring and shaft retainer.

**Part No. TL50875**





# NOSEBOX ASSEMBLIES

## JUNCTION BOX and COMPONENTS

### Part No. TL50816

•Junction box cap and "O" ring.(TL97933)

### Part No. TL50820

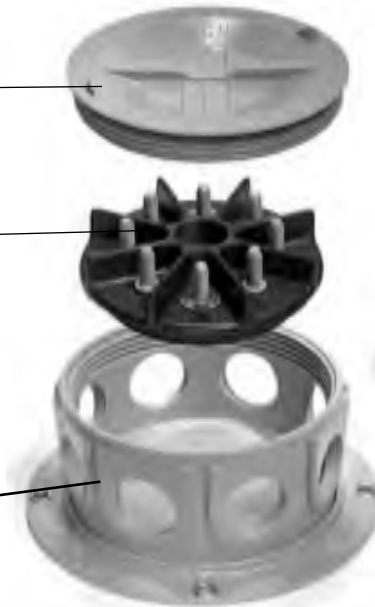
•Terminal block. Made of approved insulating plastic. Contains 8 color coded terminals.

### Part No. TL50850

•Hardware kit. Contains TL50820 terminal block, four TL50830 filler plugs, assembly and mounting screws.

### Base Only Part No. TL50800

•Made of high impact, chemical resistant plastic.  
•Mounted by four holes on 5-1/2" diameter circle.  
•Contains 8 pre-tapped holes to accept compression fitting or filler plugs.



### Part No. TL50830

•Filler Plug. Used to fill pre-tapped holes in junction box when compression fittings are not in use.

### Complete Assembly Part No. TL50400

1-1-1 and 8 plugs



## Super 50® JUNCTION BOX and COMPONENTS - Complete Box

### Part No. TL50600

•More harness ports! Alleviate the need for multiple boxes while allowing addition of more harness systems and increased lighting.  
•Larger box makes it easier to work on internal connections.  
•Clear lid offers easy viewing of connections.  
•Grey abs plastic box.  
•12 ports, 16 terminal studs with 4 common grounds.  
•Uses 50-series compression fittings or TL50830 filler plugs. (6 included in Kit) Also includes 6 filler plug o-rings.



### Part No. TL50845

•Jam Nut - Use for installation of 3-part compression fittings in areas other than in the junction boxes. 1-1/8" hole required.

## 50-series compression fittings - Kits include same lid and body with these different conductors:

### Part No. TL50840

2 conductors, 3/8" fitting

### Part No. TL50841

4 and 5 conductors, 1/2" fitting

### Part No. TL50842

6 and 7 conductors, 3/4" fitting

### Part No. TL50843

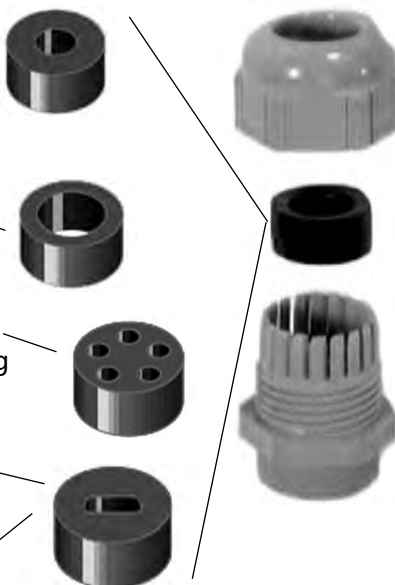
Single wire conductor, 5 hole fitting

### Part No. TL50846

3 conductor flat cable fitting

### Part No. TL50847

4 conductor flat cable fitting



## SMART BOX with split pins Part No. TL50879

•Eliminates the need to rewire the nose box when replacing a damaged receptacle.  
•Fits standard mounting bolt pattern. (TL50879 Shown)

## Replacement Receptacle Part No. TL50898

## SMART BOX with solid pins Part No. TL50813

## Part No. TL50813





**NOSEBOX ASSEMBLIES - HALDEX**

**Nosebox Assemblies**

6 & 7 way receptacles, 2055 Quickie insert, service and emergency gladhands, circuit breaker panel 15 amp.

**Part No. BE26100**

7 way receptacle, service and emergency gladhands, circuit breaker panel

**Part No. BE26103**



**Nosebox Blocks**

For Interline Style Nosebox (as viewed from front of trailer.

Left: **Part No. B26003**

Right: **Part No. B26004**

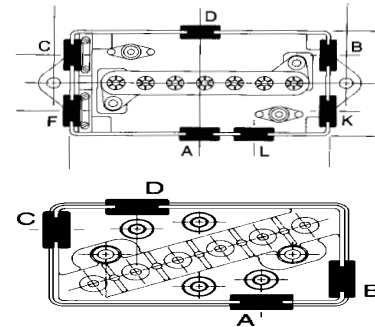


**JUNCTION BOXES**

**Haldex Junction Boxes**

Molded from Engineered Grade Composite

| Style | Part No.       | Grommet Location | Mounting | Terminals | Cover Part No. |
|-------|----------------|------------------|----------|-----------|----------------|
| A     | <b>BE22040</b> | A,B,C,F          | --       | <b>7</b>  | BE20512        |
| C     | <b>BE22070</b> | A,B,F,L          | --       | --        | BE20512        |
| D     | <b>BE22080</b> | A,B,C, D         | Stud     | 6         | BE20510        |
| D     | <b>BE22090</b> | A,B,C, D         | Flush    | 6         | BE20510        |



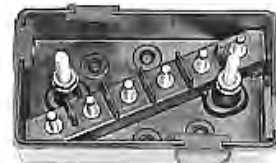
**A**



**C**



**D**



**Junction Blocks - 10-32 UNF Threads**

6 Terminal - **Part No. B20306**

7 Terminal - **Part No. B20309**



**7 Terminal Junction Box**

**Part No. FC22010/40**

- Mounting holes on 7<sup>3</sup>/<sub>8</sub>" centers.
- Ring termination.
- Seven #10 stud posts



**7 Terminal Junction Box**

**Part No. 15-961**

- Mounting holes on 7<sup>3</sup>/<sub>8</sub>" centers.
- CLEAR-VU™ abs plastic for easy viewing.
- Ring termination. •Pass through grommets for up to .80 O.D. cable.
- Seven #10 stud posts



**DELCO REMY® STARTERS****DELCO REMY:****The Brand You Know & Trust.**

Delco Remy starters and alternators from Remy International, Inc. are the preferred choice for medium and heavy duty truck, bus and off highway applications worldwide. They lead with product innovation and performance - you win with trusted, knowledgeable support.

**Part No. 8200308**

**39MT NEW Outright Starter - No Core..** 12 Volt, 11 Tooth. Rotatable Nose.

- Built-in circuit breaker protects starter from thermal damage and automatically resets at safe operating temperature.
- Drive is heavy duty design with electrical soft-start engagement system.
- MxT gearing system delivers high torque output and starting power in a low mass, lightweight design.
- Forged gear support and high strength steel shafts provide superior durability.
- Heavy Duty bearing and brushing system increases motor life and reliability.

**More NEW Outright Starters:**

**Part No. 8200235** - 38MT, 10 tooth

**Part No. 8200417** - 39MT, 12 tooth

**Part No. 8200433** - 39MT, 12 tooth, rotatable nose, pinion pitch 8/10, overcrank protection.

**Part No. 8200434** - 39MT, 12 tooth, rotatable nose, pinion pitch MOD 3.00, overcrank protection.

**REMAN STARTERS: in MT order**

**Part No. 10465043** - 28 MT, 10 tooth, 12 volt.

**Part No. 10461098** - 37 MT, 10 tooth, 12 volt. 308 switch 41 hole.

**Part No. 10461169** - 37 MT, 12 tooth, 12 volt. Insulated.

**Part No. 10461170** - 37 MT, 10 tooth, 12 volt. Insulated, and special battery terminal.

**Part No. 10461225** - 37 MT, 10 tooth, 12 volt.

**Part No. 10461753** - 39 MT, 11 tooth, 12 volt.

**Part No. 10461045** - 40 MT, 11 tooth, 12 volt.

**Part No. 10461047** - 40 MT, 11 tooth, 24 volt.

**Part No. 10461171** - 41 MT, 12 tooth, 12 volt.

**Part No. 10461282** - 41 MT, 12 tooth, 12 volt. (ground stud in frame)

**Part No. 10461050** - 42 MT, 12 tooth, 12 volt. (switch position 082)

**Part No. 10461052** - 42 MT, 11 tooth, 12 volt.

**Part No. 10461053** - 42 MT, 11 tooth, 12 volt. (Nose pc w/15° mounting pos. offset by 6°.)

**Part No. 10461055** - 42 MT, 11 tooth, 12 volt. (Has Overcrank Protection - OCP)

**Part No. 10461075** - 42 MT, 11 tooth, 12 volt. (Nose pc w/15° mounting pos. offset by 6° and has OCP)

**Part No. 10461592** - 42 MT, 11 tooth, 12 volt. (switch position 308)

**Part No. 10461738** - 50 MT, 11 tooth, 12 volt. (switch position 082)



**Part No. 8300013** - 39MT, 12 tooth, no overcrank protection, solenoid position 082, pitch MOD 3.

**Part No. 8300019** - 39MT, 11 tooth, no overcrank protection, solenoid position 082, pitch 5/3.

**Part No. 8300084** - 38MT, 12 tooth, overcrank protection, solenoid position 292, pitch MOD 3.00



## HALDEX STARTERS

### STARTERS:

Recommended for most on-road and off-road heavy duty vehicles.

Gasoline engines from 9.8 to 26.2 liters.

Diesel engines from 6.6 to 14.8 liters. Length - 18 inches.

Warranty: 1 year / 100,000 miles.

**Part No. RS141026X** - 41 MT, 12 tooth, 12 volt.

**Part No. RS142001X** - 42 MT, 11 tooth, 12 volt.



## DENSO STARTERS

### DENSO STARTERS

DENSO supplies all major medium duty truck, bus, RV and chassis manufacturers. DENSO's high reliability is why Hino has used DENSO medium duty starters in their trucks for nearly 30 years.

Simply put, Fleets large and small throughout the United States rely on DENSO starters.

### Benefits and Features:

- High torque for maximum starting power, improved cold start ability, highest in the industry.
- Class leaders in size and weight.
- Environmentally designed to start in cold and hot weather conditions.
- Mechanical soft engagement for improved durability of pinion and ring gear
- Torque limiter feature to prevent ring gear / drive train breakage

**Denso Starters are by APPLICATION.**

**Application Information @ [DensoHeavyDuty.com](http://DensoHeavyDuty.com)**



### NEW Outright Starters:

**Part No. TG228000-5311** - Cummins ISC, 8.3L

**Part No. TG428000-2690** - Navistar DT466

**Part No. TG428000-4420** - CAT, C12

**Part No. TG428000-4430** - Cummins M11, Detroit 60

**Part No. TG428000-4440** - Cummins ISX and N14

**Part No. TG428000-5190** - Cummins ISX

**Part No. TG428000-5730** - Detroit Series 60





**DELCO REMY / HALDEX / PRESTOLITE ALTERNATORS**

**Delco Remy alternator** technology is second to none. The enhanced efficiency ratings of their high output alternators provide fleets measurable fuel savings. Delco Remy high output alternators feature a durable brushless design. Brushless alternators have fewer moving parts. Fewer moving parts mean less wear on the alternator. What you end up with is long life, not to mention the best warranty in the industry to back it.

**NEW ALTERNATORS:**

- Part No. 8600127** - 36 SI, 12 volt, 170 amps, Pad mount.
- Part No. 8600201** - 28 SI, 12 volt, 160 amps, Pad mount.
- Part No. 8600310** - 22 SI, 12 volt, 150 amps, Hinge mount.
- Part No. 8600314** - 28 SI, 12 volt, 200 amps, Pad mount.
- Part No. 8600315** - 28 SI, 12 volt, 160 amps, Pad mount.
- Part No. 8600889** - 22 SI, 12 volt, 150 amps, Pad mount.
- Part No. 8600066** - 35 SI, 12 volt, 140 amps, Quad mount.

**REMAN ALTERNATORS:**

- Part No. 8700008** - 24 SI, 12 volt, 145 amps, Pad mount.
- Part No. 8700016** - 35SI, 12 volt, 140 amps, Hinge mount.
- Part No. 8700017** - 35SI, 12 volt, 140 amps, Quad mount.
- Part No. 8700018** - 35SI, 12 volt, 140 amps, Pad mount.
- Part No. 8700047** - 36SI, 12 volt, 170 amps, Pad mount.

- Part No. 10461235** - 21 SI, 24 volt, 70 amps, Hinge mount.
- Part No. 10459320** - 22 SI, 12 volt, 130 amps, Pad mount.
- Part No. 10459008** - 30 SI, 12 volt, 105 amps, Hinge mount.
- Part No. 10459196** - 33 SI, 24 volt, 100 amps, Hinge mount.

**Delco Remy Products**



Premium Brushless Heat-Resistant.  
Reman Warranty: 2 years - 250,000 miles.  
Core acceptance for same mounting style  
33SI or 34SI brushless unit.



**Hinge Mount  
8700016**



**Pad  
870017**



**Quad  
870018**

**PRESTOLITE ALTERNATORS - NEW (OUTRIGHT, NO CORE)**

- Part No. 110-555JHO**  
160 amp, 12 volt, J180 hinge mount.
- Part No. 110-555PHO**  
160 amp, 12 volt, pad mount.
- Part No. 2800LC**  
160 amp, 12 volt, hinge mount.



**110-555 JHO**



**110-555PHO**



**2800LC**

**HALDEX ALTERNATOR      DENSO ALTERNATOR**

Recommended for commercial vehicles.  
Instant turn on with auto start feature.  
Polarity - Negative. REMAN  
Warranty: 1 year / 100,000 miles.

- Part No. RA122002RX**  
22 SI, 145 amp, 12 volt.  
Hinge mount.



DENSO is the largest manufacturer of alternators in the world. Their brushless design results in longer life even in the toughest environmental conditions.

- NEW / Outright. 60 amp, 12 volt.  
**Part No. 211-8000**



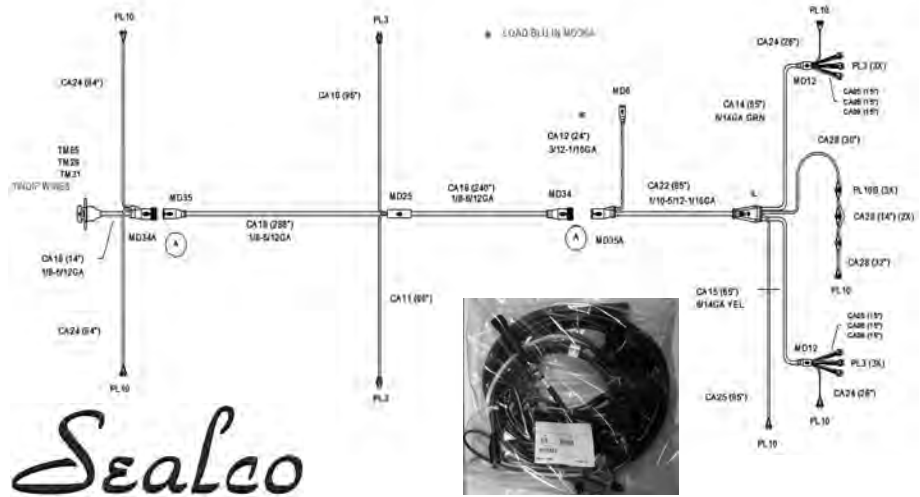




**WIRING HARNESS KIT**

**Part No. 1546103**  
**Universal trailer**  
**(flatbed or chassis)**  
**wiring 48' -53' applications.**

Fully molded truck and trailer harness. Sealco sealed systems intall quickly and easily. No need for cumbersome and leak prone junction boxes or splice connectors. Internal system grounds are standard for longer life. Molded anti-lock brake power outlers and warning lamps lead are provided where needed.



**ELECTRONIC FLASHERS**

**12 Lamp Electromechanical Flasher**

- 60 - 120 Flashes per minute
- 11 - 15V DC
- Fits standard round socket
- 100 hours of continuous operation.

**Part No. GR44530 = 2 terminal**

**Part No. GR44540 = 3 terminal**

**Part No. GR44690**

Same as above plus less than 4 millivolts per amp voltage drop.



**20 Lamp Heavy Duty Electronic Flasher**

- 60 - 120 Flashes per minute
- 11 - 15V DC
- Fits standard round socket
- 100 hours of continuous operation.

**Part No. GR44710**



Flashers for trucks, buses, RV's and cars.

12 volt, 2 or 3 terminals, up to 20 amps, 1 to 10 bulbs.

**Part No. NO232 - 2 Pin, 12V**

**Part No. NO233 - 3 Pin, 12V**



**Round 2 Prong Flasher**

Aluminum housing. 12 volt. 2 terminals, up to 12.8 amps, 2 to 6 bulbs. **Part No. NO552**



**Truck-Lite Ultraflash Heavy Duty Electronic Flasher**

Operates at 12V or 24V.

Short circuit protected with self-resetting feature.

5 year limited warranty. Rated for 35 amp load or sixteen 32/3 cp bulbs. No ground wire required. Meets DOT FMVSS 108 and SAEJ945 and J590b.

**Part No. TL97231** Ultraflash without audible signal.

**Part No. TL97232** Ultraflash with audible signal.



**Part No. TL172**

Heavy duty 12 lamp. 2 terminal flasher. 25 amps.



**12V Everflash 2 Prong Flasher**

16 Bulb capacity for hazard warning. Flashes up to eight 32 cp bulbs per side plus pilot bulb. 35 amp capacity at 12V. 1 1/4" height above terminals. Plug-in mounting or use 2 mounting holes on 2 9/16" centers. **Part No. TL242**



**Part No. TL270**

2 prong heavy duty flasher. 16 ga. wire, plastic housing. 12/24 volt. Alternating.



**Part No. TL285**

Operates from 1 milliamp up to 6 amps - allowing the use of two incandescent signal lamps with LED S/T/T lamps. Flashes at a rate of 90 fpm. Size: 1-1/8" W x 1-5/8" H



**BETTS INDUSTRIES LIGHTING****Components For Vapor Proof Lighting Systems  
BETTS Clearance Lamp**

Flange diameter 4.062" high, 3.00" wide.  
Valox body, polycarbonate lens. Uses 67 bulb;  
Uses 1/4" NPT rear wire entry. For surface mount  
- requires 1.25" diameter hole for installation.  
Mounting gasket and screws included. 12 volt.

Red **Part No. 500052**  
Amber **Part No. 500053**  
**Lens: Red No. 920109**  
**Amber No. 920110**

**BETTS Clearance Lamp**

Flange diameter 4.062" high, 3.00" wide. Valox  
body, polycarbonate deep lens. Lens extends 2.25"  
from mounting surface. Uses 67 bulb; Uses 1/4"  
NPT rear wire entry. For surface mount - requires  
1.25" diameter hole for installation.

Red **Part No. 500054**  
Amber **Part No. 500055**  
**Lens: Red No. 920116**  
**Amber 920117**

**BETTS Clearance Lamp**

Flange diameter 4.062". Aluminum  
body, polycarbonate lens. Uses  
67 bulb; Uses 1/4" NPT threaded  
wire entry. Recess mount; requires  
3" diameter hole for installation.  
Mounting gasket and screws  
included. 12V.

Amber **Part No. 600012**  
**Lens: Red No. 920109**  
**Amber No. 920110**

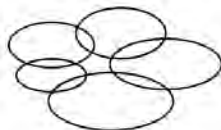
**Stop Tail Turn Lamps - Recess Mount**

Red, Valox body with ground strap and  
a 1/4 NPT hole in rear center with a  
920088 choke seal installed.

**Part No. 400066 - shallow lens**

**O-Ring for 40,45,47,70,72, 80 series lights.**

**Part No. 920146**

**Shock-Stopper Bulb  
Sockets**

Upgrades many existing  
lamps including Betts models  
40, 45, 47, and 77.  
Double contact.

**Part No. 920459**

**Incandescent Flood Lamp**

Clear, aluminum body with 920039  
lens. 20 amp toggle switch.

**Part No. 315003**

**LED LIGHT - STOP/TURN/TAIL**

Red, insert, shallow lens

**Part No. 710001 - Red**

**Part No. 710002 - Amber**

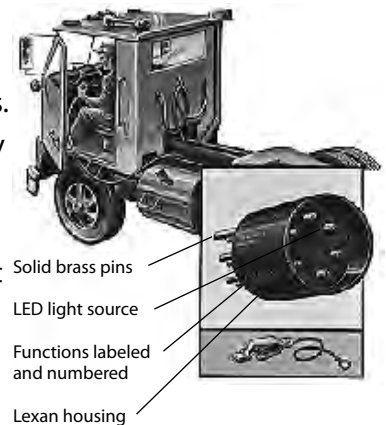
**LED LIGHT - STOP/TURN/TAIL**

Red, insert, deep lens

**Part No. 710011 - Red**

**Circuit Checker**

A one man circuit  
checker for 7 way plugs.  
Plug checker into 7 way  
cable and bring into  
cab. Activate switches  
for all circuits. The light  
emitting diode will  
illuminate when circuit  
is in proper working  
order. Faulty wiring will  
be indicated if diodes  
are dimmer, fail to light,  
or if more than one is  
illuminated.



**Part No. 920273**

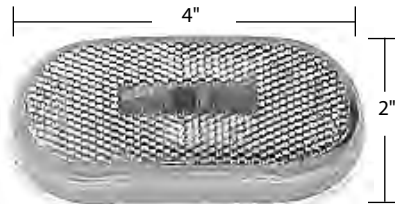




**GROTE CLEARANCE / MARKER LIGHTS**

**2-Bulb Oval Duramold Clearance Lamp**

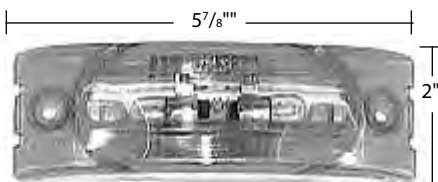
- With Built-In Reflector**
- Less than 1" profile
  - Exclusive internal armor
  - Two stainless steel grounds
- Red **Part No. GR45932**  
Yellow **Part No. GR45933**



Holes on 3" centers

**2 Bulb Turtle-Back No-Splice Duramold Clearance Lamp**

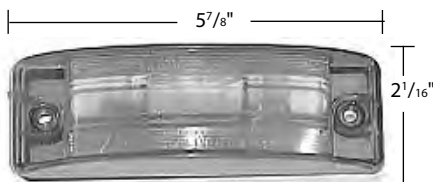
- Lexan lens
  - 2-hole stainless steel grounds
  - Corrosion proof contacts
  - Sealed wire exits
- With Optic Lens:**
- Red **Part No. GR45442**  
Yellow **Part No. GR45443**



Holes on 4<sup>13</sup>/<sub>16</sub>" centers

**Field Resealable Turtle-Back II Clearance Lamp**

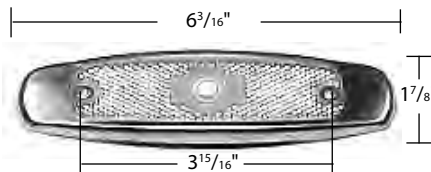
- Weather-tight lens gasket seal
  - Impact resistant bulb contacts
  - Waterproof pin connections
  - 15,000 hour bulb**
- With Optic Lens:**
- Red **Part No. GR46802**  
Yellow **Part No. GR46803**
- With Reflex Lens:**
- Red **Part No. GR46862**  
Yellow **Part No. GR46863**



Holes on 4<sup>13</sup>/<sub>16</sub>" centers

**Low Profile Clearance Lamp**

- Built-in class "A" reflector
  - Stainless steel bezel
  - Includes ground wire
  - Requires 1 1/4" socket hole
- Red **Part No. GR45662**  
Yellow **Part No. GR45663**



**2 Bulb Square Corner Duramold Clearance Lamp**

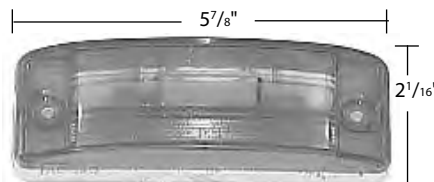
- Scalloped "dipped" lens
  - 2-hole stainless steel grounds
  - Corrosion-resistant contacts
  - Lubricated fleet service bulbs
  - Attached pigtail
- Red **Part No. GR46792**  
Yellow **Part No. GR46793**



Holes on 3" centers

**Sealed Turtle-Back II Duramold Clearance Lamp**

- Shock absorbing and heat resistant lens and lamp base
  - Hermetic lens to housing seal
  - Waterproof pin connections
- With Optic Lens:**
- Red **Part No. GR46832**  
Yellow **Part No. GR46833**
- With Reflex Lens:**
- Red **Part No. GR46872**  
Yellow **Part No. GR46873**



Holes on 4<sup>13</sup>/<sub>16</sub>" centers

**2 Bulb Turtle-Back Duramold Clearance Lamp**

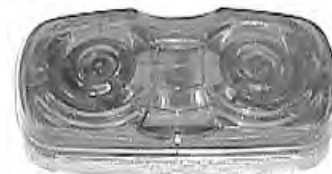
- Lexan lens
  - 2-hole stainless steel grounds
  - Corrosion proof contacts
  - Lubricated fleet service bulbs
  - Sealed wire exits
- With built-in Class "A" Reflector:**
- Red **Part No. GR46302**  
Yellow **Part No. GR46303**



Holes on 4<sup>13</sup>/<sub>16</sub>" centers

**2 Bulb Square Corner Die-Cast Clearance Lamp**

- Scalloped "dipped" lens
  - Die-cast body
  - Torsion-Mount bulb cradle
  - Replacement lens numbers are: GR91962 = red/ GR91963 = amber.
- Red **Part No. GR46782**  
Yellow **Part No. GR46783**



Holes on 3" centers

**2" Diameter Sealed Clearance Lamp White Duramold base**

- Fits narrow rails and other tight installations
  - Hermetic lens to housing seal
  - Twist on mounting fits all competitive mounting devices
- Red **Part No. GR45822**  
Yellow **Part No. GR45823**





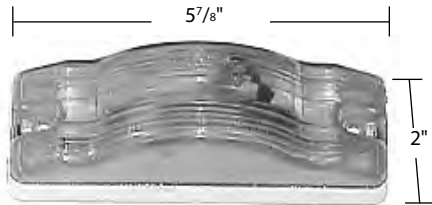
**GROTE CLEARANCE / MARKER LIGHTS**

**Sealed Multi-Function Sentry Lamp**

- Duramold
- High impact base
- Polycarbonate lens
- Plug-in pigtail (not included)

**Multi-Function:**

Red **Part No. GR53062**  
 Yellow **Part No. GR53063**



Holes on 4<sup>13</sup>/<sub>16</sub>" centers

**Die Cast Alloy Clearance Lamp**

Popular style rectangular clearance light.  
 2 193 or 194 bulbs.  
 Heavy duty die cast alloy base with O-ring for weather-tight seal.  
 2" wide, 4" long. 12V. With pigtail.

Red **Part No. GR46782**  
 Yellow **Part No. GR46783**

Replacement O-Ring Part No. GR94110  
 Replacement Lenses:  
 Red: **Part No. GR91962**  
 Amber: **Part No. GR91963**

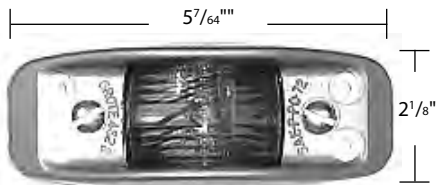


Holes on 3" centers

**Die Cast Aluminum Clearance Lamp**

- Mounts without disassembly
- Holes interchange with competitive lamps
- Polycarbonate lens
- Flat back, no socket hole required

Red **Part No. GR46282**  
 Yellow **Part No. GR46283**



Holes on 3<sup>1</sup>/<sub>8</sub>" centers

**Popular Oval 2-Bulb Clearance Lamp**

Popular style 2 bulb light features plastic base and Lexan lens.  
 2" wide, 4" long. 12 V. With pigtail.

Red **Part No. 1096733(GR45262)**  
 Yellow **Part No. 1096732(GR45263)**

Replacement Lenses:  
 Red: **Part No. GR90122**  
 Amber: **Part No. GR90123**



Holes on 3" centers





**GROTE PIGTAILS**

**Sealed Marker Lamp Pigtails**

6" Long. Factory molded plugs for use with ULTRA-BLUE SEAL® trailer wiring system

**Double Seal:**

Chassis Ground:  
Fits U. S. 10, 15, 30 series, 4701 & 4702 series LED's  
6" long, black & white wires **Part No. GR66850**



**Single Seal:**

Chassis Ground (w/Slim-Line Male) **Part No. GR66800**



Ring terminal ground  
w/blunt cut wire **Part No. GR67050**



**Turtle-Back II Lamp Pigtails**

Pigtail for 4680, 4684, 4686 and 4687 series lamps. All connections fit under lamps. Factory molded plugs for use with ULTRA-BLUE-SEAL® trailer wiring system.  
6" Long **Part No. GR66910**



6" Long **Part No. GR66911**



Short Wire w/Grounding Outlet **Part No. GR67070**



**Sentry Lamp Pigtails**

Pigtail for 5306 lamps. For use with ULTRA-BLUE-SEAL® trailer wiring system. O-ring prevents moisture and corrosion. 6" long.

**Part No. GR66900**

**Part No. GR66905**



**3-Wire Plug-In Pigtails For Male Pin Lamps**

**Part No. GR67002**

Dual function. O-ring seal helps prevent moisture and corrosion. For use with ULTRA-BLUE-SEAL® trailer wiring system. 11" long.

**Part No. GR66815** - 6" Long, Ground Return System, Slimline .180 Male



**FEATURES & BENEFITS**

- Dual function for S/T/T lamps
- O-ring seal resists moisture and corrosion
- Quality ULTRA-BLUE-SEAL® construction
- Grease grooves for additional sealing protection



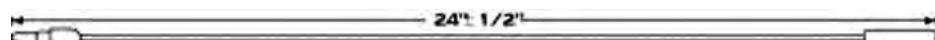
**Slim-Line Under-Lamp Male to Double Slim-Line Under-Lamp Female**

**Part No. GR66160** - 1' (12") multiple ID lamp jumper harness.



**Standard Male to Slim-Line Under-Lamp Female**

**Part No. GR66170** - 2' (24") rear tracking lamp jumper harness.





## GROTE PIGTAILS, MOUNTING GROMMETS & BRACKETS

### 3-Wire Plug-In Pigtails

Dual function. O-ring seal helps prevent moisture and corrosion. For use with ULTRA-BLUE-SEAL® trailer wiring system. 11<sup>1</sup>/<sub>2</sub>" long.

**Part No. GR67000**



### Adaptor Plug

Female to male pin lamp termination, and male to female pin lamp termination.

**Part No. GR66830**



### Part No. GR66831

6" Long, Male pin to female pin lamp termination

#### FEATURES & BENEFITS

- Female to male pin lamp termination, and male to female pin lamp termination
- For use with 4" round and oval, S/T/T lamps



### Metri-Pack™ Plug-In Sealed Pigtail

20" long. Fits either 4 or 5 wire applications; fits 5370, 5371, 5372 and 5376 series lamps

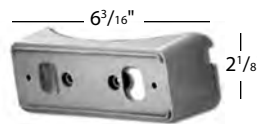
**Part No. GR68680**



### Corner Bracket Kit

- Fits Turtleback II series lights
- For use with PC rated lights.
- Molded 4<sup>3</sup>/<sub>8</sub>" radius base.

**Part No. GR43050 (gray)**



### Twist-On Surface Mounting Bracket

- Fits U. S, series 10 & 30 lamps
- 2<sup>1</sup>/<sub>8</sub>" X 5<sup>5</sup>/<sub>8</sub>"
- Holes on 4" centers
- Gray

**Part No. GR43690**



### Closed Back Rubber Grommet

- Fits U. S, series 40 lamps
- For open installations where splash plate is not used.

**Part No. GR91950**



**Grote.**



## TRUCK-LITE CLEARANCE LIGHTS

### Super 10

#### 2 1/2" Sealed Lamp With Reflector

- Polycarbonate reflectorized lens
- Lens and housing sonically sealed
- Shock mount extends bulb life
- 12V

Red Lamp Only

**Part No. TL10208R**

Yellow Lamp Only

**Part No. TL10208Y**



### Model 10 ID Bar With Lamps On 6" Centers:

- Includes three TL10202R 2 1/2" sealed lamps.
- 12V
- Includes TL93906 wiring harness.

Red **Part No. TL10744R**



### Model 15

#### Rectangular Sealed Lamp

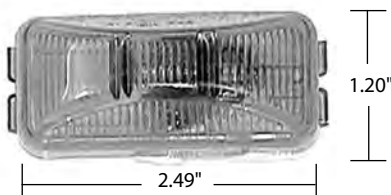
- Can be mounted horizontally or vertically
- Polycarbonate lens and housing are sonically sealed
- 12V

Red Lamp Only

**Part No. TL15200R**

Yellow Lamp only

**Part No. TL15200Y**



### Model 10

#### 2 1/2" Sealed Lamp

- Polycarbonate lens
- Lens and housing sealed
- 12V

Red Lamp Only

**Part No. TL10202R**

Yellow Lamp Only

**Part No. TL10202Y**

#### Reflectorized Lens:

Red Lamp Only

**Part No. TL10205R**

Yellow Lamp Only

**Part No. TL10205Y**



### Model 14

#### Sealed Lamp With Reflector

- Rectangular Polycarbonate lens and housing are sonically sealed
- Reflectorized lens
- 12V

#### Lamps Only:

Red

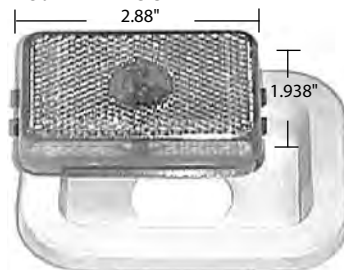
**Part No. TL14200R**

Yellow

**Part No. TL14200Y**

#### White Grommet:

**Part No. TL14700**



### Model 15 Red Lens

#### Stainless Steel ID Bar

- Three TL15200R sealed lamps
- Lamps on 6" centers. 12 volt.
- Includes TL93943 wiring harness

**Part No. TL15741R**

**Part No. TL15745R (Plastic Base)**



### Model 19

#### Double Bulb Sealed lamp

- Lens and housing sonically sealed
- Legal when one or both bulbs operating, mounted horizontally or vertically

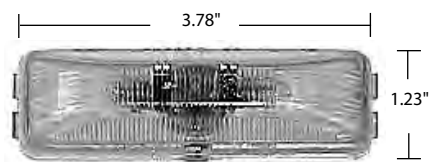
• 12V

Red Lamp Only

**Part No. TL19200R**

Yellow Lamp Only

**Part No. TL19200Y**



### Model 19

#### Double Bulb Sealed lamp Kit

- Features unique plug-in design for ease of installation.

• 12V

Lamp Kits with TL19721 Grey Base and Mounted Hot Wire:

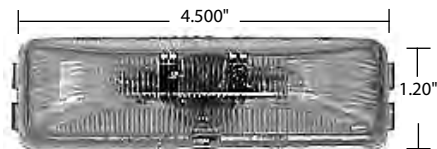
Red: **Part No. TL19002R**

Yellow: **Part No. TL19002Y**

#### Lamp Kit Contains:

**1 TL19200R/Y**

**1 TL19721 Base/Wire**



Mounting Holes on 3.00" centers

### Model 19 - ABS

#### Double Bulb Sealed lamp

- Features unique plug-in design for ease of installation.

• 12V

Yellow: **Part No. TL19205Y**





**TRUCK-LITE CLEARANCE & MARKER LIGHTS**

**Model 18 Bulb Replaceable Lamp With Reflector**

- Sealed reflector lens and housing
- Uses replaceable 194 wedge-base bulb and TL94940 plug.
- 12V

**Lamp Kits:**

Red **Part No. TL18300R**  
 Yellow **Part No. TL18300Y**

**Lens numbers**

TL99012R and TL99012Y



**PEE WEE Bulb Replacement**

- High impact polycarbonate construction.
- Mini lamp features external mounting holes.
- Lens snaps & locks into base.
- Mounts without disassembly. 3" center to center of mounting holes. Bulbs: #193

Red **Part No. TL1507**  
 Yellow **Part No. TL1507A**

**Replacement Parts:**

TL9342 red lens  
 TL9342A yellow lens



**Male Pin 21 Rectangular sealed**

- Available with standard or reflectorized lens
- Features male pin connections
- Suitable for PC requirements on a 45 degree angle with additional reflectors.

**Standard Lens**

Red Lamp Only -  
**Part No. TL29202R**  
 Yellow Lamp Only -  
**Part No. TL29202Y**

**Reflectorized Lens**

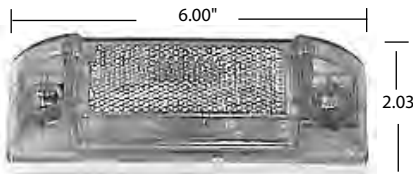
Red Lamp Only -  
**Part No. TL29203R**  
 Yellow Lamp Only -  
**Part No. TL29203Y**



**Super 21 Extension Bracket Sealed Lamp**

- High impact white plastic
- Kit with Reflectorized Lens:  
 Red **Part No. TL21501R**  
 Yellow **Part No. TL21501Y**  
 Includes 21203R or 21203Y light, 21720 bracket and plugs.

**Extension Bracket, White Part No. TL21720**



**Super 21 Sealed Lamp**

- Polycarbonate lens and housing
- sonically sealed
- Unique shock mount prolongs lamp life
- 12V

**Lamps with 96930 hot wire:**

Red **Part No. TL21001R**  
 Yellow **Part No. TL21001Y**

**With Reflectorized Lens:**

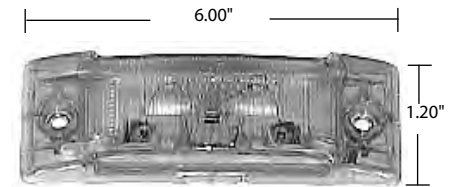
Red **Part No. TL21002R**  
 Yellow **Part No. TL21002Y**

**Lamps Only:**

Red **Part No. TL21200R**  
 Yellow **Part No. TL21200Y**

**With Reflectorized Lens:**

Red **Part No. TL21201R**  
 Yellow **Part No. TL21201Y**



**Cab Marker Light**

- Lens and housing are sonically sealed. Contains TL94940 plug and 194 wedge base bulb. Replaces lamps used on many Ford trucks.
- Width: 3.60" Length:5.930"
- Yellow **Part No. TL25760Y**







## TRUCK-LITE CLEARANCE AND MARKER LIGHTS

### Model 30

#### 2" Sealed Lamp

- Polycarbonate lens
- Lens and housing sealed
- 12V

Red Lamp Only

**Part No. TL30200R**

Yellow Lamp Only

**Part No. TL30200Y**



### Model 30

#### 2" Sealed Lamp With Flange

- Polycarbonate lens & housing
- Lens and housing sealed
- Flange is polycarbonate and permanently affixed to lamp.
- 12V

#### Flush Mount:

Red Lamp Only

**Part No. TL30221R**

Yellow Lamp Only

**Part No. TL30221Y**

#### Surface Mount:

Red Lamp Only

**Part No. TL30222R**

Yellow Lamp Only

**Part No. TL30222Y**



### Model 30 ABS Warning Light

#### 2" Sealed Lamp With ABS Logo

- Polycarbonate lens
- Lens and housing sealed
- 12V

Yellow Lamp Only - Vertical mount

**Part No. TL30257Y**

Yellow Lamp Only - Horizontal

**Part No. TL30230Y**



### Model 30

#### 2" Beehive Lamp

- Designed for cab marker use
- Polycarbonate lens and housing sonically sealed.
- 12V

Red Lamp Only

**Part No. TL30201R**

Yellow Lamp Only

**Part No. TL30201Y**

### Model 10

#### 2.5" Beehive Lamp

- Designed for cab marker use
- Polycarbonate lens and housing sonically sealed.

Red

**Part No. TL10203R**

Yellow

**Part No. TL10203Y**



### Shock Mount 2-Bulb Permastat Bulb Replaceable

- High impact Permastat housing protects against rust & corrosion.
  - Snap-on lens makes bulb and lens replacement easy.
  - Two bulb design-if one burns out, the other remains lighted, legally.
  - Not suitable for PC requirements.
- Bulbs: Two #193

Red **Part No. TL1211**

Yellow **Part No. TL1211A**

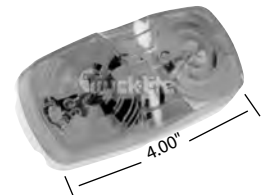
#### Replacement Parts:

TL9007 red lens

TL9006 red lens & O-ring

TL9007A yellow lens

TL9006A yellow lens & O-ring



### Shock Mount 2-Bulb Replaceable

- High impact polycarbonate housing protects against rust & corrosion.
  - Snap-on lens permits easy bulb and lens replacement.
  - Two bulb design-if one burns out, the other remains lighted, legally.
  - Not suitable for PC requirements.
- Bulbs: Two #193

Red **Part No. TL1259**

Yellow **Part No. TL1259A**

#### Replacement Parts:

TL9093 red lens

TL9093A yellow lens



### Model 30 ID Bar With Lamps On 6" Centers: Black enamel bar.

- Includes three TL30200R 2" sealed lamps, 12V
- Includes TL93906 wiring harness.

**Part No. TL30740R**



**Truck-Lite**

**TRUCK-LITE MARKER/CLEARANCE LIGHT MOUNTING ACCESSORIES****Open Grommet for 2 1/2" Diameter Lamps**

Flush mount.

•Wide groove for panel thickness up to .25".

Narrow groove for up to .125" thick.

Suitable for PC requirements on a 45 degree angle when using PC rated combination lamps

**Part No. TL10700****Open Grommet Mount Kit for 2 1/2" Diameter Lamps**

Vinyl grommet flush mount lamp, requires 2.781" diameter mounting hole.

**Kit Part No. TL10401**

Kit contains

**One TL10700 grommet****One TL94902 Plug****Closed Grommet Mount Kit for 2 1/2" Diameter Lamps**

Vinyl grommet flush mount lamp, requires 2.781" diameter mounting hole.

**Kit Part No. TL10402**

Kit contains

**One TL10702 closed grommet****One TL94902 Plug****One TL10704 (Open grommet)**  
Not pictured**Diaphragm Grommet Mount Kit for 2 1/2" Diameter Lamps**

Used for edge lighting 2 1/2" diameter lamps.

**Kit Part No. TL10403**

Kit contains:

**One TL10708 grommet****One TL94902 Plug****3" Grommet Mount Kit for 2 1/2" Diameter Lamps**

Vinyl grommet recess mounts lamps

**Kit Part No. TL10404**

Kit contains

**One TL10704 grommet****One TL94902 Plug****TL10702 = Recessed grommet****Grommet Mount Kits for 2" Lamps**

Vinyl grommet flush mounts 2" diameter sealed lamps

Grommet Mount Kit, Open Back:

**Kit Part No. TL30401**

Kit contains:

**One TL30700 Grommet****One TL94902 Plug**

Grommet Mount Kit, Closed Back

**Kit Part No. TL30402**

Kit contains:

**One TL30702 Grommet****One TL94902 Plug****Surface Grommet Mount Kit for 2 1/2" Diameter Lamps**

Aluminum bracket mount allows lamps to be surface mounted in a grommet.

**Kit Part No. TL10412**

Kit contains

**One TL10700 Grommet****One TL10722 Mount****One TL94902 Plug****Branch Deflector Mount Kit for 2 1/2" Diameter Lamps**

High impact plastic mount with branch deflector allows lamp to be surface mounted.

**Kit Part No. TL10414**

Kit contains

**One TL10700 Grommet****One TL10725 Mount****One TL94902 Plug****Model 14 Grommets****Part No. TL14700**

White Grommet for TL14200 lamp

**Part No. TL14701**

Black Grommet for TL14200 lamp

**(Grommet Only)****Model 15 Grommet**

Vinyl grommet flush mount.

Can be mounted in panels up to .250" thick.

**Part No. TL15702**



## TRUCK-LITE MARKER/CLEARANCE LIGHT MOUNTING ACCESSORIES

### Model 15 Adaptor Mount Kit

Stylish adaptor mounts model 15 rectangular lamps.

Adaptor Mount Kit, Gray

**Kit Part No. TL15404**

**Kit contains**

**One TL00790 Adaptor**

**One TL94906 Plug**

Adaptor Mount Kit, Chrome

**Kit Part No. TL15405**

**Kit contains**

**One TL00791 Adaptor**

**One TL94906 Plug**



### Model 15 Mounting Options

Extra strength plastic construction. Features top cut out area on mount #15727 for narrow rail design. Easy snap-in lamp installation. Suitable for PC requirements with incandescent lamps.

**Part No. TL15727 - For rail**

**Part No. TL15728 - For header**

**Part No. TL15729 - For license**



### Model 15 Header Mount Kit

High impact plastic adaptor mounts the model 15 lamps and fits most narrow rails

Rail Mount Kit

**Kit Part No. TL15414**

**Kit contains**

**One TL15728 Mount**

**One TL94924 Plug**



### Model 15 Branch Deflector Mount Kit

This branch deflector mount has permanently fixed hot and ground contacts.

Adaptor Mount Kit

**Kit Part No. TL15401**

**Kit contains**

**One TL15720 Mount**

**One TL94904 Plug**



### Cam-On Mount Kit for 2 1/2" Diameter Lamps

High impact plastic mount with branch deflector

**Kit Part No. TL10410**

**Kit contains**

**One TL10728 mount**

**One TL94924 Plug**



### Model 19 Aluminum Lamp Guard

Use with model 19 base mount lamp kits. Holes on 3" centers.

**Part No. TL19724**



### Model 19 Base Mount Parts

Features unique plug-in design for ease of installation of the TL19200R/Y and TL19206 lamps

Gray base:

**Part No. TL19720**

Gray Base With Hot Wire:

**Part No. TL19721**

Gray Base With 9" radius:

**Part No. TL19722**

Black Base:

**Part No. TL19728**

Gray Base With Hot Wire & .18 male terminal:

**Part No. TL19740**

Gray Mount w/4.68" radius:

**Part No. TL19750 (shown below)**

Hot Wire:

**Part No. TL96904**

Hot Wire With .180 Bullet:

**Part No. TL96919**



**TL19721**



**TL19750**

**Truck-Lite**

**Truck-Lite**

**TRUCK-LITE CLEARANCE LIGHT MOUNTING ACCESSORIES****Cam-On Mount Kit for 2" Lamps**

High impact plastic lamp mount

**Kit Part No. TL30403**

Kit contains

**One TL00801 Mount**

**One TL94902 Plug**

**Branch Deflector Mount Kit for 2" Lamps**

High impact plastic lamp mount with branch deflector allows 2" lamps to be surface mounted in a grommet

**Kit Part No. TL30404**

Kit contains:

**One TL30700 Grommet**

**One TL30721 Mount**

**One TL94902 Plug**

**Branch Deflector Mount Kit for 2" Lamps**

High impact plastic lamp mount with branch deflector allows 2" lamps to be surface mounted in a grommet

**Kit Part No. TL30405**

Kit contains:

**One TL30701 Grommet**

**One TL30722 Mount**

**One TL94902 Plug**

**Cam On Mounts for 2" and 2.5" Lamps**

High impact plastic mount  
Requires 94924 plug.

Suitable for PC needs on a 45 degree angle when using PC rated lamps.

**Part No. TL10721**

Clear mount without ribs.

**Part No. TL10724**

Gray mount without ribs.

**Part No. TL10727**

Clear mount 8.5" radius.

**Part No. TL10728**

Gray mount.

**Branch deflector mount for 2.5" Lamps**

- Designed to mount on a 4.6" radius corner.
- Screws mount perpendicular to radius.
- Allows lamp to be surface mounted in a grommet.
- Suitable for PC requirements on a 45 degree angle when using LED or incandescent PC rated combination lamps.

**Part No. TL10725**

**Model 30 Mounting Bracket**

Used for mounting grommets requiring  $2\frac{5}{16}$ " diameter hole, part numbers TL30700 and TL30702

**Part No. TL30728**

**Model 10 Mounting Bracket**

Heavy steel angle bracket for mounting grommets requiring 2.781" hole, grommet part number TL10700, TL10702, and TL10708 and grommet requiring 3" hole, part number TL10704.

Bracket with  $2\frac{25}{32}$ " Hole

**Part No. TL10729**

Bracket with 3" Hole

**Part No. TL10730**

**Curved bracket for 2.5" Lamps**

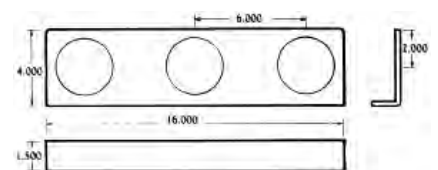
- Screws mount perpendicular to radius.
- Allows lamp to be surface mounted in a grommet.
- Suitable for PC requirements on a 45 degree angle when using LED or incandescent PC rated combination lamps.
- Designed to mount on a 4.6" radius corner.

**Part No. TL10738**

**Three Lamp Mounting Bracket**

For mounting grommets requiring 3" diameter hole.

**Part No. TL00814**





## SOCKETS AND PLUGS FOR TRUCK-LITE LAMPS

**Part No.    Function    Length    Termination    Color**

**Marker/Clearance Plug**

**16 gauge wire, tin plated brass terminals**

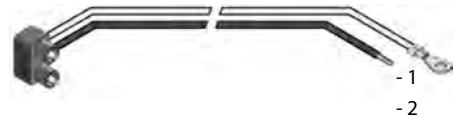
|                |          |    |                    |       |
|----------------|----------|----|--------------------|-------|
| <b>TL94902</b> | 1 Ground | 6" | #6 Ground Terminal | White |
|                | 2 Marker | 6" | 6/32" Wire Strip   | Black |



**Marker/Clearance Plug**

**16 gauge wire, right angle design for use in space limited areas.**

|                |          |    |                   |       |
|----------------|----------|----|-------------------|-------|
| <b>TL94924</b> | 1 Ground | 6" | #10 Ring Terminal | White |
|                | 2 Marker | 6" | 6/32" Wire strip  | Black |



**Identification Bar Harness**

**For sealed lamp identification bar assemblies. 14 gauge wires**

|                |                       |       |                   |       |
|----------------|-----------------------|-------|-------------------|-------|
| <b>TL93908</b> | 1 Ground              | 41/2" | #10 Ring Terminal | White |
|                | (9" centers) 2 Marker | 8"    | 11/32" Wire Strip | Black |



**Super 21 Plug**

**16 gauge wire, tin plated brass terminals.**

|                |          |     |                  |       |
|----------------|----------|-----|------------------|-------|
| <b>TL96930</b> | 1 Marker | 12" | 6/32" Wire Strip | Black |
|----------------|----------|-----|------------------|-------|



**Marker/Clearance Socket Assembly**

**For 18300 and 25760Y lamps. Bulb not included.**

|                |                         |     |                   |       |
|----------------|-------------------------|-----|-------------------|-------|
| <b>TL94940</b> | 1 Ground                | 12" | #10 Ring Terminal | White |
|                | (#194 Bulb) 2 Clearance | 12" | 12/32" Wire strip | Black |
|                | (18 Ga. Wires)          |     |                   |       |



**Stop/Turn Plug**

**For use with double contact sealed incandescent stop/turn/tail lamps**

|                |             |     |                   |       |
|----------------|-------------|-----|-------------------|-------|
| <b>TL94925</b> | 1 Ground    | 10" | #10 Ring Terminal | White |
|                | 2 Stop/Turn | 10" | 6/32" Wire Strip  | Red   |



**Stop/Turn/Tail Plug**

**For use with double contact sealed incandescent stop/turn/tail lamps**

|                |               |     |                   |       |
|----------------|---------------|-----|-------------------|-------|
| <b>TL94926</b> | 1 Ground      | 10" | #10 Ring Terminal | White |
|                | 2 Tail        | 10" | 6/32" Wire Strip  | Black |
|                | 3 Stop & Turn | 10" | 6/32" Wire Strip  | Red   |



**Right Angle Stop/Turn Plug**

**For use with single contact sealed stop/turn lamps**

|                |          |                                  |                   |       |
|----------------|----------|----------------------------------|-------------------|-------|
| <b>TL94992</b> | 1 Ground | 10 <sup>1</sup> / <sub>2</sub> " | #10 Ring Terminal | White |
|                | 2 Tail   | 10 <sup>1</sup> / <sub>4</sub> " | 6/32" Wire Strip  | Red   |





## SOCKETS AND PLUGS FOR TRUCK-LITE LAMPS

**Part No.    Function    Length    Termination    Color**

**Right Angle Stop/Turn/Tail Plug**

**For use with double contact sealed stop/turn/tail lamps**

|                |             |     |                   |       |
|----------------|-------------|-----|-------------------|-------|
| <b>TL94931</b> | 1 Ground    | 48" | #10 Ring Terminal | White |
|                | 2 Tail      | 48" | 6/32" Wire Strip  | Black |
|                | 3 Stop/Turn | 48" | 6/32" Wire Strip  | Red   |



|                |             |                                  |                   |       |
|----------------|-------------|----------------------------------|-------------------|-------|
| <b>TL94993</b> | 1 Ground    | 10 <sup>1</sup> / <sub>2</sub> " | #10 Ring Terminal | White |
|                | 2 Tail      | 10 <sup>1</sup> / <sub>4</sub> " | 6/32" Wire Strip  | Black |
|                | 3 Stop/Turn | 10 <sup>1</sup> / <sub>4</sub> " | 6/32" Wire Strip  | Red   |



**Right Angle Stop/Turn/Tail Plug With Adaptor**

**Converts one stop/turn/tail into two stop/turn/tail plugs**

|                |             |     |       |       |
|----------------|-------------|-----|-------|-------|
| <b>TL94932</b> | 1 Ground    | 10" | Plugs | White |
|                | 2 Tail      | 10" |       | Brown |
|                | 3 Stop/Turn | 10" |       | Red   |



**Single Plug Adaptor**

**Converts single plug female harness into a conventional single plug male harness which mates with most sealed S/T/T lamps**

|                |             |    |       |       |
|----------------|-------------|----|-------|-------|
| <b>TL94897</b> | 1 Ground    | 5" | Plugs | White |
|                | 2 Tail      | 5" |       | Brown |
|                | 3 Stop/Turn | 5" |       | Red   |

(16 Ga. GPT wires)



**Identification Bar Harness**

**For sealed lamp identification bar assemblies. 14 gauge wires**

|                |          |         |                   |       |
|----------------|----------|---------|-------------------|-------|
| <b>TL93906</b> | 1 Ground | 22-1/2" | #10 Ring Terminal | White |
| (6" centers)   | 2 Marker | 26"     | 11/32" Wire Strip | Black |



**LED Fit 'N Forget Marker / Clearance Adaptor Plug**

**Used to adapt LED lamps to conventional plug harness systems.**

|                |                    |    |      |       |
|----------------|--------------------|----|------|-------|
| <b>TL93745</b> | 1 Ground           | 4" | Plug | White |
|                | 2 Marker/Clearance | 4" | Plug | Black |



**Single Plug Adaptor**

**Converts single plug female harness into a conventional single plug male harness which mates with most sealed S/T/T lamps**

|                |                    |     |                   |       |
|----------------|--------------------|-----|-------------------|-------|
| <b>TL94916</b> | 1 Ground           | 18" | #10 Ring Terminal | White |
|                | 2 Marker/Clearance | 18" | 6/32" Wire Strip  | Black |





## GROTE STOP/TURN/TAIL LIGHTS

### U.S. 40 Series, Economy, Stop-Tail-Turn Lamp

- Standard female connection
- 4" dia. lamp
- Fits all competitive pigtails, brackets and grommets
- Hermetic lens-to-housing seal

Red **Part No. GR52922**

**Grote.**



### 4" Torsion Mount® II Stop/Tail/Turn Lamp

- The bulb cradle design minimizes bulb vibration
- 2057 long life bulb provides greater reliability
- Fits GR91740 and GR91950 grommets
- Pigtail choices are GR6700, GR66811, GR66812, GR66843, GR66844, GR66825

Red **Part No. GR52772**



### Oval Torsion Mount® III Stop/Tail/Turn Lamp

- The bulb cradle design minimizes bulb vibration
- Double contact
- Locking tabs assure solid pigtail connection
- O-ring seal design reduces corrosion
- 6.50" wide

Red **Part No. GR52562**

Yellow **Part No. GR52563**



### 4" Diameter 12V Sealed Stop/Tail/Turn Lamp Gray Polycarbonate

- O-ring design eliminates corrosion
- Double contact
- Locking tabs assure solid pigtail connections
- Uses GR91740 grommet, GR67002 pigtail (not included)
- Fits 4 1/2" diameter hole

Light Only:

Red **Part No. GR53102**

Yellow **Part No. GR53103**



### Economy Steel Stop/Tail/Turn Lamp

- Rugged steel construction
- Double contact. 1156 bulb
- Easy snap on lens
- Pigtail choices are GR68130, GR68150
- 5.5" wide in front, 4.5" wide in back
- Uses #10 screws to mount

Red **Part No. GR50232 (1013163)**

**Grote.**



**GROTE STOP/TURN/TAIL LIGHTS****3-Stud 12V  
Metri-Pack™****RH Replacement Lamp**

- Metri-Pack™ connector on left side
- Duramold, black finish
- With license window
- Services GM #15613944 and #15565732
- Services Navistar #1661282C91
- Pigtail No. GR68680 (not included)



Lens 6.75" high, 5.75" wide.  
Housing 3.188" deep.

**Light Only:**

Red **Part No. GR53702**

**3-Stud 12V  
Metri-Pack™****LH Replacement Lamp**

- Metri-Pack™ connector on right side
- With license window
- Services GM #15613943 and #15565731
- Pigtail No. GR68680 (not included)



Lens 6.75" high, 5.75" wide.  
Housing 3.188" deep.

**Light Only:**

Red **Part No. GR53712**

**3-Stud 12V Metri-Pack™  
Replacement Lamp  
With Double Connector**

- Metri-Pack™ connector on both sides
- With license window
- Replaces Navistar #1661281C91
- Pigtail No. GR68680 (not included)



Lens  
5.75" Wide,  
6.75" High  
Housing 3.188" Deep

**Light Only:**

Red **Part No. GR53762**

**3 Stud Torsion Mount 12V  
Universal  
Replacement Lamp**

- 6 in 1 lamp
- Universal wiring connection
- Four screw posts in junction box
- Fits all 3-stud mounting on heavy duty trucks



Lens 5.75" Wide  
6.75" High  
Housing 2.875" Deep

**Light Only:**

RH **Part No. GR52902**

LH **Part No. GR52912**

**3 Stud 12V Peterbilt,  
Chevrolet, Jeep, GMC  
Replacement Lamp  
With Pigtail**

- Replaces
- Peterbilt 16-02600R & 16-02600L
  - Chev. 370867 & 370868
  - Jeep SF5457197 & SF545719



Lens 5.75" Wide,  
6.75" High  
Housing 2.875" Deep

**Part No. GR50972**

**FORD® replacement box Red Lamp**

- Junction box with Ford OEM connector
- Features a license window
- Ford drivers side: F4HZ 13404A
- Ford passengers side: F4HZ 13405A
- Bulb # 3157
- Lens # 91302

Drivers Side (LH)  
**Part No. GR53792**

Passenger side (RH)  
**Part No. GR53782**







## GROTE TURN SIGNAL LIGHTING

### 2 Stud Chrome Lamp With Pigtail

- Switch lens for right or left
- Ground wire plus tab
- 73" long color-coded pigtail
- PVC heat-sealed loom
- Side marker light
- Acrylic lens, polycarbonate body
- Vertical mount

Height:  $4\frac{25}{32}$ "

Width:  $4\frac{9}{16}$ "

Deep:  $2\frac{7}{8}$ "

**Part No. GR55340**



5/16" studs 2" centers

### 2 Stud Lamp With Pigtail

- OEM styling
  - 73" long color-coded pigtail
  - Side marker light
  - Acrylic lens, polycarbonate body
  - Vertical mount
- Height:  $4\frac{3}{4}$ "  
Width:  $4\frac{1}{2}$ "  
Deep:  $2\frac{3}{4}$ "

**RH Part No. GR55410**

Replaces Chev/GMC 2017747

**LH Part No. GR55420**

Replaces Chev/GMC 2017751



### Thin Line Duramold Double Faced lamp

- Snap on lenses
- Molded in baffle
- Molded in O-ring
- Red and yellow lenses

DOUBLE CONTACT

**Part No. GR50630**

SINGLE CONTACT

**Part No. GR55220**



4.25" Diameter

### 4" Die Cast Double-Face Lamp Double Contact

- Shows yellow to front, red to rear
  - 3 screw acrylic lenses
  - Grommeted wire exit
- Dia. 4.125"  
Deep 2.375" Deep  
Red & yellow, chrome plated
- Part No. GR53000**



### 7" Jumbo Single Face Lamp

- 2 stud or bracket mounting
- Bull's-eye and concentric circle lens design
- Heavy gauge formed steel housing

With yellow arrow lens, molded .180 terminal:

**Part No. GR78303**



### Oval Torsion Mount™ III Side Turn/Marker Yellow Lamp

- Gel-Mount® cradle design minimizes bulb vibration
  - Extended dome for added visibility from front and rear
  - Contains reflex reflector
- Pigtails =  
GR67000, GR66812, GR66825, GR66843, GR66844.  
Yellow **Part No. GR52513**
- Pigtails =  
GR67002, GR66815, GR66816, GR66841, GR66845.  
Yellow **Part No. GR52533 (Male Pin)**



**Part No. GR52513**



**Part No. GR52533**



# TRUCK-LITE STOP/TURN/TAIL LIGHTING

## Model 40 4" Stop/Turn/Tail

### Grommet Mount Lamp and Lamp Kits

- Heavy duty shock mount with dual filament bulb
- Lens and housing are sealed
- Lamp mounts in 4 1/2" hole using vinyl grommet.
- Kits include lamp, TL40700 grommet, TL94993 plug.

Red 12V Kit:

**Part No. TL40002R**

Yellow 12V Kit:

**Part No. TL40002Y**

Red 12V Lamp Only:

**Part No. TL40202R**

Yellow 12V Lamp Only:

**Part No. TL40202Y**

Red Sealed Lamp Only

With reflector:

**Part No. TL40215R**



## Model 40 Economy S/T/T & F/P/T Products 4" sealed.

### Material:

Polycarbonate lens & housing, ABS flange, PVC grommet

Red Lamp Only

**Part No. TL40282R**

Yellow Lamp Only

**Part No. TL40282Y**

### Part No. TL40028R grommet kit:

1 - 40282R red lamp

1 - 40700 grommet

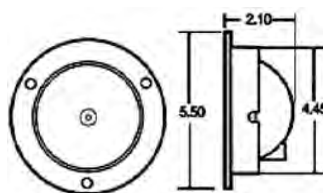
1 - 94993 plug



## Economy 40 S/T/T & F/P/T Products 4" Sealed

- Sealed polycarbonate lens & housing
- Grommet kit features flush mount in a 4-1/2" hole
- High impact plastic flange affixed to lamp
- Material: Polycarbonate lens & housing, ABS flange, PVC grommet, 16 gauge wire,

Red, lamp & gray flange **Part No. TL40229R**



FLANGE MOUNT



## Super 40 - 4" Lamp

### Stop/Turn/Tail and Front/Park/Turn 4" Sealed

- Lens and housing are sealed.
- Unique shock mount design prolongs bulb life.
- Lamp mounts in 4-1/2" hole using vinyl grommet.
- 12V

Red Sealed Lamp Only:

**Part No. TL40242R**

Yellow Sealed Lamp Only:

**Part No. TL40242Y**

Red Sealed Lamp Only with reflector:

**Part No. TL40248R**

### •Kits include

Lamp, TL40700 grommet and TL94993 plug

Red Super 40 Kit:

**Part No. TL40042R**

Red Super 40 Kit with reflector:

**Part No. TL40048R**



## Model 80 Bulb Replaceable

### Stop/Turn/Tail/Clearance Lamp

- Black steel housing.
- Flush mount with recessed lens and TL97945 steel retaining ring.
- One 1157 bulb, 12V
- Flange O.D. 5.50"
- Replacement lens - TL99008R.

Red Lens, Black Housing:

**Part No. TL80334R**



## Module bracket housing for 4" lamps

- Designed as replacement for many OEM applications.
- Includes red reflector.
- Accepts all 4" grommet or flanged mount lamps.

**Part No. TL40725**





## TRUCK-LITE STOP/TURN/TAIL LIGHTING

### Super 45

#### Stop/Turn/Tail/Park/Clearance Lamp

- Unique shock mount design prolongs bulb life.
- Lens and housing are sealed
- Lamp mounts in 4 1/2" hole using vinyl grommet.
- Kits include lamp, TL45700 grommet and TL94993 plug
- 12V

Red Sealed Lamp Only:

**Part No. TL45202R**

Yellow, Front Park And  
Turn Lamp Only:

**Part No. TL45202Y**



### Model 41 Sealed Stop/Turn/Tail/Clearance Lamp

- Rectangular polycarbonate lens and housing are sealed
- Lamp mounts in 7.83" X 4.43" hole
- 12V

Red LH Lamp only

**Part No. TL41202R**

Red RH Lamp Only

**Part No. TL41203R**



### Model 60 Sealed

#### Stop/Turn/Tail/Park Clearance Lamp

- Polycarbonate lens and housing are sealed
- 12V Shock mounted dual filament bulb
- Legal when mounted horizontal or vertical.

**Lamp Only:**

**Part No. TL60202R**

**Part No. TL60202Y**

Red Lamp Kit:

Kit includes lamp, TL60700 grommet, TL94993 plug

**Part No. TL60002R**

**Part No. TL60002Y**



### Combination stop,tail,turn, back-up & reflex reflector

Interchanges Navistar #1661281C91, and  
Navistar #1661282C91

RH lamp popular replacement for  
GM/IH OE #56139474, #15565732

Dual optic acrylic lens

Permatat body provides impact resistance

5315Y101 has dual Metri-Pack connectors-one on  
either side of the lamp

5315Y101 uses #9470 main harness

5316Y101 uses #9469 jumper harness.

Material: Polycarbonate lens & housing

Light Source: Bulb: #1157 S/T/T, Bulb: #1156 B/U

Replacement Parts:

9049 lens kit

9470 5-wire harness

9469 4-wire jumper

97706 lens gasket

Multi-function with license - Universal - Red lens

**Part No. TL5315Y101**

Multi-function with license - Curbside - Red lens

**Part No. TL5316Y101**





## TRUCK-LITE STOP/TURN/TAIL LIGHTING

### Power Unit Module

- Heavy gauge metal module with preassembled junction box with wiring harness.
- Contains: two TL40242R Super 40 stop/turn/tail lamps, one TL40204 Model 40 backup lamp, TL19206 Model 19 license plate lamp, junction box and wiring harness.
- 8.34" x 32.00"

**Part No. TL40850**



### Stop/Turn/Tail Module

- High impact plastic module box
- Mounts in 11" x 5.12" hole
- Contains 2 TL40202R lamps, 2 TL40700 grommets, module box and harness.. 12V

RH with 2 Stop/Turn/Tail: **Part No. TL40743**

LH with 2 Stop/Turn/Tail: **Part No. TL40742**



### Metal Stop/Turn/Tail Module With Side Marker

- Metal module box with side marker and turn signal lamps
- Contains 1 TL19200R lamp, 2 TL40242R lamp, 1 TL40241Y lamp, 3 TL40700 grommet and harness
- Total width 20.19", height 7.75"
- 12V

RH Module: **Part No. TL40763**

LH Module: **Part No. TL40762**



### Stop/Turn/Tail Module With Flange

- High impact plastic module box With Metal Mounting Flange
- Mounts in 11" x 5.12" hole
- Contains 2 TL40202R lamps, 2 TL40700 grommets, flange, module box and harness
- 12V

RH with 2 Stop/Turn/Tail:

**Part No. TL40747**

LH with 2 Stop/Turn/Tail:

**Part No. TL40746**

Module Box:

**Part No. TL40722**



### Stop/Turn/Tail Module With Side Marker

- Metal module box with side marker and reflector
- Universal mount will retrofit a wide variety.
- Contains 2 TL40202R, 1 TL19200R marker lamp, 2 TL40700 grommets, flange, and harness
- Total width including side marker 13.5", height 7.75"
- 12V
- TL94812 is LH pigtail for 40756, TL94813 for TL40757

RH Module: **Part No. TL40757**

LH Module: **Part No. TL40756**



### Stop/Turn/Tail Module with back-up

- High impact plastic module box
- Mounts in 12.40" x 7.80" hole
- Contains 2 TL40202R lamps, 2 TL40700 grommets, module box, flange, harness, and TL40244 backup.

Left Hand: **Part No. TL40754**

Right Hand: **Part No. TL40755**





## TRUCK-LITE TURN SIGNAL LIGHTING

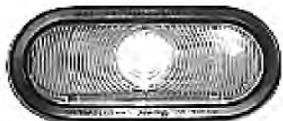
### Model 60 Sealed Mid Trailer Side Turn Lamp

- Lens and housing are sealed
  - Contains heavy duty shock mounted bulb
  - Reflectorized lens
- Red Lamp Kit (Rear): **Part No. TL60015R**  
 Yellow Lamp Kit: **Part No. TL60015Y**  
 Lamp kits include:  
 TL60700 grommet, TL94993 plug and lamp
- Red Lamp Only: **Part No. TL60215R**  
 Yellow Lamp Only: **Part No. TL60215Y**



### Model 60 Sealed Turn Signal Lamp

- Polycarbonate lens and housing are sealed
  - 12V Shock mounted single filament bulb
  - Legal when mounted horizontal or vertical.  
2.25" x 6.375" including grommet
- Red Lamp Only: **Part No. TL60201R**  
 Yellow Lamp Only: **Part No. TL60201Y**



### Model 20 Side Turn Indicator Lamp

- Snap-in low profile lens that gives maximum 90 degree edge lighting.
  - Replacement lens is TL99005Y
- Yellow Lamp With  
 Dual Filament 1157 Bulb:  
**Part No. TL20304Y**

2.590" x 3.80"  
 Holes on 3.12"  
 centers



## MID-TRAILER WARNING PANEL

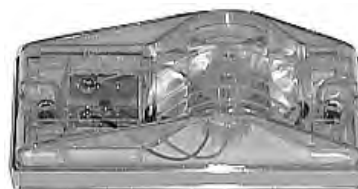
### Stainless Steel Mid-Trailer Warning Panel

- 300 series noncorrosive stainless steel panel.
  - Includes lamp with easy cleaning smooth arrow lens.
  - Panel measures 20" x 8" x 1".
  - Can be mounted left or right hand. 1156 bulb.
- Part No. 1010132 (Not Truck-lite brand)**



### Model 22 Sealed Surface Mount Side Turn Indicator Lamp

- Sealed polycarbonate lens and housing
  - Heavy duty shock mounted bulb
- Yellow DC Auxilliary Lamp Kit :  
**Part No. TL22002Y**  
 Yellow DC Auxilliary Lamp Kit w/Gasket  
**Part No. TL22004Y**  
 Yellow DC Lamp and Gasket Only  
**Part No. TL22006Y**  
 Yellow Lamp Only  
**Part No. TL22202Y**
- 2.410" X 5.940"  
 Mounting holes on  
 4.81" centers



### Quad Mount 5800 series front turn signal, park and side marker.

- Snap-on/Snap-off len, no screws.
  - Mounts left or right.
  - 1157 bulb.
  - Eliminates the need for separate side marker lamp.
  - Positive lens fit, corrosion proof, watertight.
  - GM # 15565531 interchange.
- Part No. TL5800AA**  
 Same with 9465 harness:  
**Part No. TL5800AAK**



### Double Faced Turn Signal Lamp - Universal

- Two stud for vertical mounting
  - Right or left hand
  - One 2357 bulb, red and yellow lens
- Replacement Lens: TL99128R, TL99128Y  
**Part No. TL4742**



### Bulb Replaceable Arrow T/S Products 7" Round

- Lamp functions as turn signal.
  - Features a directional arrow.
  - Surface mounts with 4 #10 screws
  - Requires a 1" diameter hole, 1" deep
  - Bulb: #1156, S-8 bayonet.
  - Designed at 12.8v, 2.1 amp.
  - Acrylic lens attaches to lamp with 4 screws
  - Popular lamp on buses & emergency vehicles
- Part No. TL90325Y**





# TRUCK-LITE MOUNTING ACCESSORIES

### Adaptor Ring For 4" Lamps

High impact plastic. Converts 4.75" hole to a 4.50" hole for mounting 4" sealed lamps

**Part No. TL50831**



### Model 60 Grommet

**Part No. TL60700**

Stainless steel oval bezel (Use with TL60700)

**Part No. TL60703**



### Grommet Mount Kit for 4" Lamps

Vinyl grommet for mounting 4" diameter sealed lamps in a 4.5" hole.

Grommet Mount Kit with TL94993 plug

**Part No. TL40403**

Grommet Only

**Part No. TL40700**



### Model 60 Mounting Brackets

Black painted reinforced steel.

Or if aluminum, noted.

For mounting the TL60700 grommet.

Mounting "L" Bracket

**Part No. TL60720**

Mounting Bracket without "L" Flange

**Part No. TL60722**

Mounting "L" Bracket, Aluminum

**Part No. TL60723**

Mounting Bracket, Stainless Steel

Tanker Mounting "L" Bracket

**Part No. TL60730**

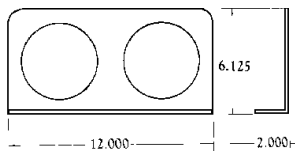


### Two Lamp Mounting Bracket

Accommodates 2 4" lamp assemblies

Black painted steel.

**Part No. TL40715**



### Model 60 Mounting Bracket

Gray painted steel for mounting TL60700

grommet. "Z" configuration designed for use with TL60015Y side turn light.

**Part No. TL60728**

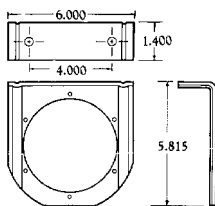


### Model 40 Mounting Bracket

Black painted reinforced steel

with 4.5" hole for mounting 4" lamps.

**Part No. TL40720**



### Grommet mount for 45 series lamps

Designed for flush mounting 45 series lamps.

Grommet mounts in plate thickness of 1/8" to 3/32."

**Part No. TL45700**



### Mounting covers for 2" Lamps

Cover for P2 lamps.

Decorative and theft deterrent.

**Part No. TL30708**



### Mounting covers for 2.5" Lamps

Flange Cover.

Decorative and theft deterrent.

**Part No. TL10715**





## TRUCKLITE BACK UP LAMPS

### Model 40 4" Sealed Back-Up Lamp

- Polycarbonate lens and housing
- Shock mounted single filament bulb

#### Clear 12V Lamp Only:

**Part No. TL40204**

Clear Lamp Kit:

**Part No. TL40004**

Kit includes TL40204 lamp, TL40700 grommet, TL94992 plug



### Super 40 4" Sealed Back-Up Lamp

- Polycarbonate lens and housing
- Shock mounted 12V single filament bulb
- For grommet mount installation

**Part No. TL40244**



### Model 60 Sealed Back-Up Lamp

- Polycarbonate lens and housing
- Heavy duty shock mounted 12V single filament bulb
- Can be mounted horizontally or vertically

Clear Lamp Only:

**Part No. TL60204**

Clear Lamp Kit:

**Part No. TL60004C**

Kit includes TL60204 lamp, TL60700 grommet, TL94992 plug

2.25" x 6.375"  
including grommet



**Truck-Lite**

## GROTE LICENSE AND COURTESY LAMPS

### Duramold License Lamp

- Compact license lamp that protrudes less than 2"
- Nonbreakable lens, 4 cp bulb
- Mounts on 1.75" centers
- 1.625" H X 2.625" W

Gray

**Part No. GR60001**

Gray Hood Only

**Part No. GR93610**



### Compact Courtesy Lamp

- 1.5" Diameter
- Fits 1.25" hole in panels from .060" to .250" thick
- Rubber sealed spring and pigtail assembly
- Translucent white plastic lens with chrome shade

**Part No. GR60101**



### Field Resealable Turtle-Back II License Lamp

- Weathertight lens gasket seal
- Impact resistant bulb contacts
- Waterproof pin connections
- Used on Utility Trailers
- Mounting holes on 4.813" centers

**Part No. GR60331**



### Economy Courtesy Lamp

- Illuminates instrument panel and compartments
- Clear plastic lens
- Zinc plated
- 1.5" x 2.75"

**Part No. GR60151**



### License Lamp

- Single bulb sonic sealed for long life.
- 15,000 hour bulb
- 3.50" H X 3.375" W

License Lamp Only:

**Part No. GR60261**

License Lamp and Bracket Kit:

**Part No. GR60280**



**Grote.**



## TRUCK-LITE LICENSE AND COURTESY LAMPS

### Model 15 License lamp Mounting Bracket Kit

- Mounting holes on 2" centers
- 3.38" wide
- Projects 2.26" from mounting surface

Includes one TL15729 bracket, one TL15208 lamp

#### Part No. TL15011

Gray, kit with 12v LED 15040

#### Part No. TL15040



### Model 15 Rectangular Sealed Lamp

- Polycarbonate lens and housing are sealed
- 15,000 hour bulb
- 1.20" X 2.49"

#### Part No. TL15200C



### Model 15 license lamp

- High impact polycarbonate sonically sealed lens and housing.
- Features 15,000 hour long life.
- 12 volt

#### Part No. TL15208



### License Plate Bracket

- Black painted steel
- Universal mount
- Use with TL15208 & TL15011

#### Part No. TL42722



### Model 26 Bulb replaceable License Plate Lamp

- Cadmium plated steel housing
- Mounts on 2" centers
- Contains one 67 bulb

#### Part No. TL26330



### Model 26 Bulb replaceable License Plate Lamp

- High impact gray plastic housing
- Mounts on 1.75" centers
- Contains one 67 bulb

Clear Lamp: **Part No. TL26335**



### Model 19 Double Bulb Sealed Lamp

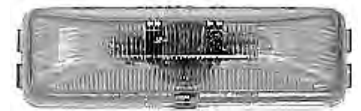
- Polycarbonate lens and housing are sealed

Clear Utility Lamp:

#### Part No. TL19200C

Clear License Plate Lamp:

#### Part No. TL19206



### Super 21 Sealed License Plate Lamp

- Polycarbonate lens and housing are sealed
- Bulb shock mount

Clear Sealed Unit Only:

#### Part No. TL21204C

Clear Lamp Kit: (Includes Base)

#### Part No. TL21004C



### Model 26 Bulb Replaceable License Plate/Courtesy Lamp

- Chrome plated brass housing
- Snap fits into 1.25" hole
- Contains one 67 bulb

Clear Lamp:

#### Part No. TL26331



### Model 26 Bulb Replaceable License/Utility Lamp

- Chrome plated steel lens shade
- Similar to lamps used on GM vehicles
- Contains one 67 bulb
- Two lamps required for license plate illumination
- 2.00" H, 3.00" W, mounting holes on 2.625" centers

Clear Lamp: **Part No. TL26336**







## DOMES LIGHTS

### Round Dome Lamp With Switch

- Surface mount
- Corrosion- shatter -heat proof
- Low profile to protect against knock-off
- 5.875" diameter
- Snap-off lens for easy bulb replacement

**Part No. GR61161**

**Grote.**



### Permalite™ LED interior dome lamp

- Wide 180° diffused light pattern
- Light output stays constant throughout entire voltage.
- Designed for extreme temperatures: -50°F to 180°
- Unbreakable polycarbonate lens.
- Pulls .91 amps at 12 volts.
- Operating range 9V to 30V
- Dimensions 18.25" x 5.75" x 1.01"
- .73" recessed depth.
- 3 year limited warranty.

**Part No. 51-22111**



**PHILIPS**

## TRUCK-LITE DOME LIGHTS

### Model 80 7" Clear Dome Lamp

- Chrome plated steel housing
- Push type on/off switch
- One 1156 bulb
- 8.250" Diameter

Replacement lens TL99088C

**Part No. TL80354**



### Model 80 5" Dome Lamp

- Chrome plated steel housing
- One 1156 bulb
- 6.380" Diameter

Replacement lens TL99080C, TL99082C (with hole)

Light with Switch

**Part No. TL80350**

Light w/o Switch

**Part No. TL80351**



### Model 40 4" Sealed Grommet Mount Dome Lamp

- Polycarbonate lens and housing are sealed.
- Heavy duty shock-mounted bulb
- Clear, sealed lamp only

**Part No. TL40203**



### Model 10, 2.5" Sealed Dome Lamp

- Polycarbonate lens and housing are sealed.
- Clear, sealed lamp only

**Part No. TL10202C**



### Model 30, 2" Sealed Utility Lamp

- Polycarbonate lens and housing are sealed.
- Clear, sealed lamp only

**Part No. TL30200C**



**Truck-Lite®**



## UTILITY AND WORK LAMPS

### Par 36 Rubber Tractor and Utility Lamp

- 12V
- Shock absorbing weatherproof body
- Utility, fifth wheel, backup, tractor or off-road applications
- Accepts 4589 (24V), 4411 (12V), 4511 (6V), H7606 halogen.
- Swivel mount, complete with all mounting hardware
- Housing part no. GR64930

#### Part No. GR64931

Housing 5.00" O.D.,  
2.75" Deep  
Extends 5.875"  
From Surface.

**Grote.**



### Par 36 Rubber Housed Multi-Purpose Lamp

- Accepts clear 4411-1 sealed beam
- 5/16-18 stud mount
- 4.75" housing diameter

Accepts clear 4411-1 12V 3000 c.p. Sealed beam:

#### Part No. TL80360

Accepts clear 4509 12V 110,000 c.p. sealed beam:

#### Part No. TL80374

**Truck-Lite**



### Rectangular Rubber Housed Multi-Purpose Lamp

- Accepts 6" x 3 1/2" rectangular halogen sealed beam.
- Universal mount.

Clear H9420 12V beam:

#### Part No. TL80388

Clear with H9406 wide flood beam:

#### Part No. TL80396

**Truck-Lite**



## TRUCK-LITE SNOW PLOW AND ALL TERRAIN LIGHT KIT

### Snow Plow and All Terrain Light Kit

- High impact polycarbonate & steel construction.
- Features high beam/low beam halogen headlamps & integrated park/turn lamps.
- Lamp functions as a snow plow, all terrain light, or off road/auxiliary light.
- Mounts on one 1/2"-13 stud. • 1157 bulb.
- Kit also includes a switch, a grommet that protects wiring at the switch, and a heavy-duty flasher.
- One piece harness runs from switch to the front of the vehicle & attaches with Scotchlock connectors

#### Part No. TL80800 Universal Kit

Kit Components:

80800 universal kit:

1 - 80810 LH lamp, 1 - 80820 RH lamp, 1 - 80830 main harness, 1 - 80840 hardware set



**Truck-Lite**



**FLEETCRAFT® INCANDESCENT LIGHTING SYSTEMS**

**Part No. Description**

**9780010** 2-1/2" Red Marker lamp  
**9780011** 2-1/2" Amber Marker lamp  
 Round clearance or side marker light.  
 PC-Rated. PL10  
 Mount on a 45 degree angle.  
 Features sonically sealed lens.  
 Accepts industry standard 2-prong plug.



**9780012** 2-1/2" Amber clearance/marker lamp  
**9780013** 2-1/2" Red clearance/marker lamp  
 Recess mount marker clearance  
 light with built-in relfex.



**Part No. Description**

**9780014** Marker Lamp, double bulb: Amber  
**9780015** Marker Lamp, double bulb: Red  
 Dual bulb, bullseye marker/clearance light  
 with black base.  
 Features snap-on, replaceable lens  
 and bulbs. All-weather molded  
 plastic housing. Mounts on industry  
 standard 3" centers.



**Part No. Description**

**9780016** Marker Lamp, double bulb: Amber  
**9780017** Marker Lamp, double bulb: Red  
 Oval, 2-wire.



**Part No. Description**

**9780019** Marker/Clearance Lamp, Red  
**9780020** Marker/Clearance Lamp, Amber  
**9780021** Marker/Clearance Lamp, Amber/Red Combo  
 Sealed, 2-bulb. PC-rated .  
 Sonically sealed.  
 Mounts on industry  
 standard 3" centers.  
 9780005 is the mounting  
 bracket, also available.



**PIGTAILS:**

**Part No. Description**

**9790401** Pigtail, right angle  
 for ST/T/T lamps  
**9790402** Pigtail, 3-wire,  
 for ST/T/T lamps  
**9790403** Pigtail, PL10  
 for Marker lamps



**Part No. Description**

**9780025** 2" Marker Lamp-flush mount flange: Red  
**9780026** 2" Marker Lamp-flush mount flange: Amber  
 Round clearance or side marker light.  
 PC-Rated light. PL10  
 Features sonically sealed lens  
 Accepts industry standard  
 2-prong plug.



**Same as above with Orange colored flange for TRAC.**

**Part No. 9780035** Red  
**Part No. 9780036** Amber

**Part No. Description**

**9780027** 2" Marker Clearance Lamp  
 surface mount flange: Red  
**9780028** 2" Marker Clearance Lamp  
 surface mount flange: Amber



**Part No. Description**

**9780031** 2" Red marker lamp  
**9780032** 2" Amber marker lamp  
 Round clearance or side marker light.  
 PC-Rated light. PL10  
 Features sonically sealed lens  
 Accepts industry  
 standard 2-prong plug.



**GROMMETS**

**Part No. Description**

**9780000** 2-1/2" grommet, back open  
**9780030** 2" Grommet, back open  
**9780040** 4" grommet, back open  
**9780070** 6" oval grommet, back open



**9780005** Mounting bracket  
 with plug for 9780019/20



**9790301** 3/4" grommet





**FLEETCRAFT® INCANDESCENT LIGHTING SYSTEMS**

**Part No. Description**

**9780041** 4" Red Stop/Turn/Tail lamp, Red  
**9780042** 4" Red Stop/Turn/Tail lamp, Amber  
 Sealed red stop/turn/tail light for flush mount.  
 Features sonically sealed lens  
 Shock proof bulb (3-yr warranty)  
 Accepts industry standard 3-prong plug.



**Part No. Description**

**9780043** 4" Red Stop/Turn/Tail lamp with flange.  
 Red.Sealed, flange mount.  
 Features sonically sealed lens.  
 Shock proof bulb.  
 Accepts industry standard 3-prong plug.  
**9790043** Same, with pigtail clip.



**Part No. Description**

**9780044** License light with bracket.  
 Bracket is steel with black finish.  
 Surface mount on 3.5" centers.  
 Hardware included. Replaceable bulb.



**Part No. Description**

**9780045** License light with bracket.



**Part No. Description**

**9780048** License light  
 License plate light with gray coated plastic housing.  
 Mounting ears for surface mount.  
 Includes gasket for weather-tight seal.  
 Mounts on 3-1/4" centers. Replaceable bulb.



**Part No. Description**

**9780053** License light. Sealed.



**Part No. Description**

**9780054** 2.5" Marker flange flush mount. Red.



**9780055** 2.5" Marker flange flush mount. Amber.



**Part No. Description**

**9780063** 4" Stop/Turn/Tail orange flange mount (TRAC) with pigtail clip.



**Part No. Description**

**9780071** 6" oval Stop/Turn/Tail lamp, Red  
 Sealed red stop/turn/tail light for flush mount.  
 Features sonically sealed, waterproof lens and housing in a single unit. Shock proof socket guarantees long bulb life.  
 Accepts industry standard 3-prong plug.



**Part No. Description**

**9780074** 6" oval Stop/Turn/Tail lamp Kit, Red  
 Same as above with grommet and pigtail.

**Part No. Description**

**9780075** Mid-Turn lamp, Amber  
 Sealed amber mid-ship turn signal and side marker light. Meets FMVSS 108 requirements for side turn signal with added side marker and reflector functions.  
 Features sonically sealed, waterproof lens and housing in a single unit. Shock proof socket guarantees long bulb life.  
 Accepts industry standard 3-prong plug.



**Part No. Description**

**9792001** ABS marker lamp  
 Surface mount.  
 Sealed



**PIGTAILS:**

**Part No. Description**

**9790401** Pigtail, right angle for ST/T/T lamps



**9790402** Pigtail, 3-wire, for ST/T/T lamps



**9790403** Pigtail, for Marker lamps





## FLEETCRAFT® LED LIGHTING SYSTEMS

### Part No. Description

**9890025** 2" Red marker lamp, 5-diode

**9890026** 2" Amber marker lamp, 5-diode  
Flange flush mount.



### Part No. Description

**9890027** 2" Red marker lamp, 5-diode

**9890028** 2" Amber marker lamp, 5-diode  
Flange flush mount. Weather tight Plug.  
Orange flange, for TRAC.



### Part No. Description

**9890031** 3/4" Red marker lamp, 2-diode

**9890032** 3/4" Amber marker lamp, 2-diode



### Part No. Description

**9890040** 4" Stop/Turn/Tail Red lamp, flange.

Sealed, flange mount 10 diode.

Features sonically sealed lens

Accepts industry standard

3-prong plug

**9890041** Same as 9890040, with 7 diodes.

**9890042** 7 diode with weathertight plug for TRAC.

**9890043** 1(single) diode with pigtail clip.



### Part No. Description

**9890045** 4" Stop/Turn/Tail Red lamp,

Grommet mount. 10 diode

Accepts industry standard 3-prong plug

Features sonically sealed lens.

All-weather molded plastic housing

and durable lens protect against corrosion.



### Part No. Description

**9890047** LED license light with bracket



### Part No. Description

**9890048** LED license light



### Part No. Description

**9890055** 2" Red marker lamp, 4-diode

**9890056** 2" Amber marker lamp, 4-diode

Clearance or side marker light.

Features sonically lens.

Accepts industry standard 2-prong plug.



### Part No. Description

**9890057** 2-1/2" Red marker lamp, 4-diode

**9890058** 2-1/2" Amber marker lamp, 4-diode

LED clearance or side marker light.

Features sonically sealed lens.

Accepts industry standard

2-prong plug.



### Part No. Description

**9890065** Thin line Red marker lamp, 6-diode

**9890066** Thin line Amber marker lamp, 6-diode

Clearance or side marker light.

Features sonically sealed lens.

Mounts on industry standard 3" centers.

Two-wire plug contains

both lead wire and ground

wire for mounting to all surfaces.



### Part No. Description

**9890068** Thin line Red marker lamp, 6-diode

**9890069** Thin line Amber marker lamp, 6-diode

Clearance or side marker light,

ideal for mounting in

narrow rail applications.

Features sonically sealed lens.

Mounts on industry standard 3" centers.



### Part No. Description

**9890072** 6" oval Stop/Turn/Tail lamp, Red

**9890073** 6" oval Stop/Turn/Tail lamp, Amber

10-diode. Sealed, flush mount.

LED parking/rear turn signal light.

Features sonically sealed lens.

All-weather molded plastic housing

Accepts industry standard 3-prong plug



### Part No. Description

**9790076** Mid-turn Amber lamp,

9-diode.



**FLEETCRAFT**®  
QUALITY PARTS FOR THE TRUCKING INDUSTRY

**LIFETIME LED WARRANTY**

### PIGTAILS:

#### Part No. Description

**9790404** Pigtail, LED,  
for marker lights





**FLEETCRAFT® LED LIGHTING SYSTEMS**

**GLOLIGHTS™**

**Part No. Description**  
**9890080** 4" Red stop, turn, tail light, grommet mount. PL3 plug. Glo-Light™



**Part No. Description**  
**9890081** 6" Yellow Oval stop, turn, tail light, grommet mount. PL3 plug. Glo-Light™



**Part No. Description**  
**9890083** 4" Red stop, turn, tail light, flange mount. PL3 plug. Glo-Light™



**Part No. Description**  
**9890085** 2.5" Red marker light, grommet mount. PL3 plug. Glo-Light™

**9890086** 2.5" Yellow marker light, grommet mount. PL3 plug. Glo-Light™



**Part No. Description**  
**9890087** 2" Red marker light, grommet mount. PL3 plug. Glo-Light™

**9890089** 2" Yellow marker light, grommet mount. PL3 plug. Glo-Light™



**FLEETCOUNT™**

**Part No. Description**  
**9890110** Mini-LED license light. 2 diodes. Polished chrome plated housing. Surface mount on 2" centers.



**9892001** 2" Yellow ABS light. Flush flange mount. 3 diode.



**GloLight™**

**Stand Out**





## LED LIGHTING PRODUCTS

### LED TECHNOLOGY

#### Features and Benefits of LED Technology

- Designed to meet SAE standards.
- Lens and housing assemblies are polycarbonate.
- Marker lamps use self-sealing snap-lock plug assembly with integrated O-ring.
- Faster start up results in quicker reaction time for Stop/Turn/Tail lamps.
- LEDs are rated at 100,000 hours of operation.

**LED** - A Light Emitting Diode creates light when electrons pass from one plate to another and a photon is created. Light is created with almost no heat or invisible light as byproducts.

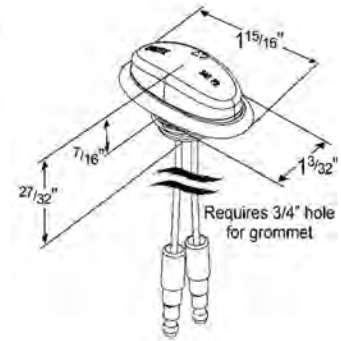
**The number of Diodes per light are changing all the time!**

**The following pages show our enhanced and expanded section of LED Lighting Products:**

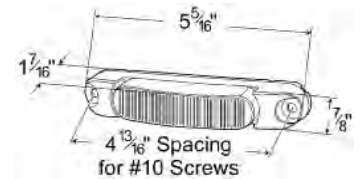


**GROTE LED LIGHTING****Micro Nova®, Clearance/Marker LED Lamp****Part No. GR47962** Red**Part No. GR47963** Yellow

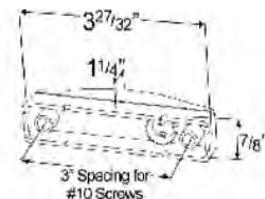
- No exposed fasteners
- Hermetic lens-to-housing seal
- Encapsulant potting for total circuit-board protection.
- Small size fits in narrow application.
- Low profile makes lamp less susceptible to damage

**Super Nova®, Thin-Line Clearance/Marker LED Lamp****Part No. GR46902** Red Lens, White Body**Part No. GR46903** Yellow Lens, White Body**Part No. GR46922** Red Lens, Red Body**Part No. GR46933** Yellow Lens, Yellow Body

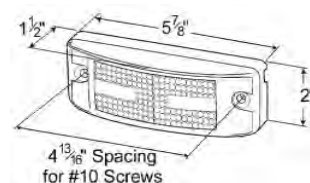
- Sealed marker lamp
- Thin-Line design fits narrow rails and channels
- Advanced Pin Connection System
- Turtleback® design for maximum durability
- Uses Grote's Double Seal, UBS pigtail for maximum protection against corrosion

**Super Nova®, 3" Centers, Thin-Line Clearance/Marker LED Lamp****Part No. GR47242** Red**Part No. GR47243** Yellow

- 3" mounting center.
- Field-replaceable lens.
- Encapsulant potting for total circuit-board protection.
- Anti-torque design protects against over-tightening and lens cracking.
- Wire exit holes at ends allow for flow-through harnessing.
- Meets PC function only when mounted at a 45° angle.

**SuperNova®, Sealed Turtleback® II, Clearance/Marker LED Lamp****Part No. GR47072** Red**Part No. GR47073** Yellow

- Bullet-proof potted for total circuit board protection
- Hermetic lens-to-housing seal
- Advanced Pin Connection System
- Tin-plated, brass terminals eliminate failure causing leak paths
- Uses same Double Seal, UBS pigtail as incandescent for a quick Plug-and-Go retrofit
- Turtleback® design for maximum lens durability







## GROTE HI-COUNT® LED LIGHTING

### Hi-Count®, 2-1/2" Marker Clearance Lamp

**Part No. GRG1032** Red

**Part No. GRG1033** Yellow

- Twist on mounting for easy installation.
- 13 diodes.

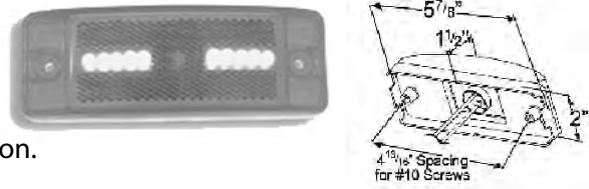


### Hi-Count®, Turtleback II® LED Lamp

**Part No. GRG2102** Red

**Part No. GRG2103** Yellow

- Hermetic lens to housing seal.
- Molded bullet with chassis ground-ring terminal connection.
- Shock absorbing, heat-resistant lens and lamp base.
- Red lamp has 8 diodes, yellow lamp has 10 diodes.

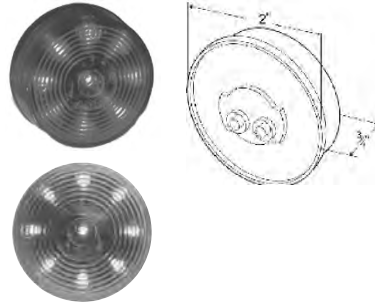


### Hi-Count®, 2" 9-Diode LED Lamp

**Part No. GRG3002** Red

**Part No. GRG3003** Yellow

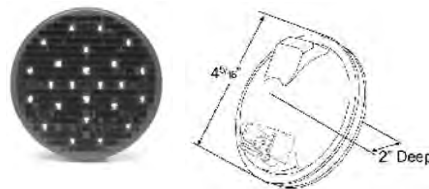
- Hermetic lens-to-housing seal.
- Uses the same UBS double-seal pigtail as the incandescent version for a quick Plug-and-Go® retrofit.
- Twist-on mounting for easy installation.
- Concentric, multiple-diode layout.
- Fits all popular mountings and grommets.



### Hi-Count®, 4" Stop.Turn Tail LED Lamp

**Part No. GRG4002** Red

- Female pin termination accepts all popular plug-in connectors.
- Concentric, high count diode design 24 in red, 39 in yellow.
- Fits all popular mountings and grommet.



### Hi-Count®, Square-Corner 13-Diode LED Lamp

**Part No. GRG4602** Red

**Part No. GRG4603** Yellow

- Molded snap-ring
- Field-replaceable lens
- Bullet-proof potted circuit board for total protection against moisture and vibration



### Hi-Count®, Double Face Stop Turn Tail with side marker

**Part No. GRG5530** Red

**Part No. GRG5540** Yellow

- Three wire harness attached.
- 25 diodes. 2 on the side marker. Includes reflex reflector.





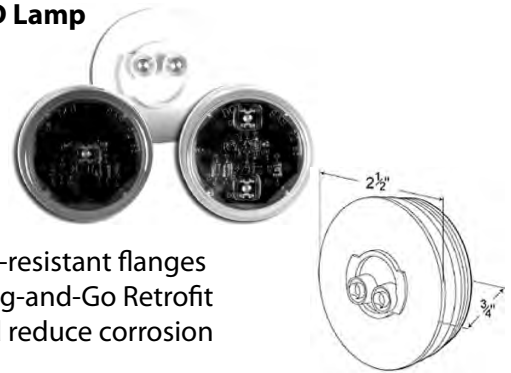
## GROTE LED LIGHTING

### SuperNova® 2 1/2", U.S. 10 Series, 2 Diode Clearance/Marker LED Lamp

**Part No. GR47122** Red

**Part No. GR47123** Yellow

- Bullet-proof potted for total circuit board protection
- Hermetic lens-to-housing seal
- Advanced Pin Connection System
- 2 1/2" diameter lamp
- Fits gray (GR43160), black (GR43162), and Chrome (GR43163) theft-resistant flanges
- Uses same Double Seal, UBS pigtail as incandescent for a quick Plug-and-Go Retrofit
- Tin-plated, brass terminals eliminate failure causing leak paths and reduce corrosion

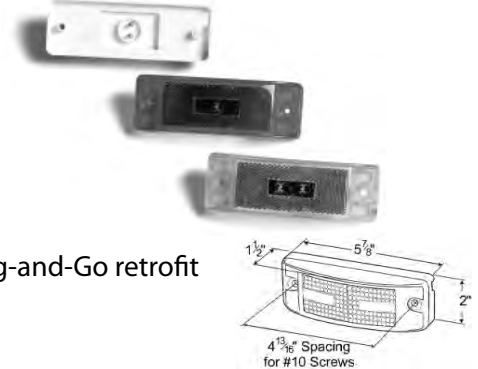


### SuperNova®, Sealed Turtleback® II, 2 Diode Clearance/Marker LED Lamp

**Part No. GR47162** Red

**Part No. GR47163** Yellow

- Bullet-proof potted for total circuit board protection
- Hermetic lens-to-housing seal
- Advanced Pin Connection System
- Tin-plated, brass terminals eliminate failure causing leak paths
- Turtleback® design for maximum lens durability
- Uses same Double Seal, UBS pigtail as incandescent for a quick Plug-and-Go retrofit

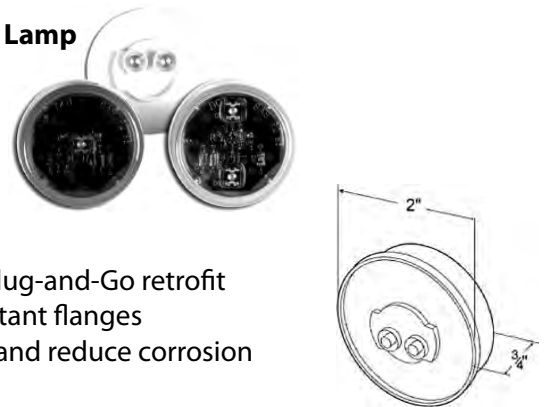


### SuperNova® 2", U.S. 30 Series, 1 Diode Clearance/Marker LED Lamp

**Part No. GR47112** Red

**Part No. GR47113** Yellow

- Bullet-proof potted for total circuit board protection
- Hermetic lens-to-housing seal
- Advanced Pin Connection System
- 2" diameter lamp
- Uses same Double Seal, UBS pigtail as incandescent for quick Plug-and-Go retrofit
- Fits gray (43150), black (43152), and Chrome (43153) theft-resistant flanges
- Tin-plated brass terminals eliminate failure causing leak paths and reduce corrosion



### SuperNova® 4", U.S. 40 Series, 10-Diode Pattern LED S-T-T Lamp

**Part No. GR53252 Grommet-Mount** Red

**Part No. GR53253 Grommet-Mount** Yellow

- Concentric pattern using only 10 diodes
- Lens design spreads light with maximum dispersion
- Bullet-Proof potted for total circuit board protection
- Hermetic lens-to-housing seal
- Advanced Pin Connection System uses tin-plated, solid brass pin terminals
- Uses same UBS pigtail as Male Pin incandescent
- Affordable LED technology





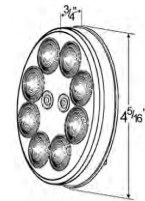
## GROTE LED LIGHTING

### SuperNova® 4", U.S. 40 Series, 10-Diode Pattern LED S-T-T Lamp

**Part No. GR53292, with Black, Theft-Resistant Flange-Mount** Red

**Part No. GR53302, with Stainless Steel, Theft-Resistant Flange-Mount** Red

- Concentric pattern using only 10 diodes
- Lens design spreads light with maximum dispersion
- Bullet-Proof potted for total circuit board protection
- Hermetic lens-to-housing seal
- Advanced Pin Connection System uses tin-plated, solid brass pin terminals
- Uses same UBS pigtail as Male Pin incandescent
- Use male to female adapter plug (66830) for an easy retrofit every time



### SuperNova® 4", U.S. 40 Series, Full Pattern S-T-T 24 Diode LED Lamp

**Part No. GR53312, Grommet-Mount** Red

- Bullet-Proof potted for total circuit board protection
- Hermetic lens-to-housing seal
- Uses same UBS pigtail as Male Pin incandescent
- Also available in Strobe Lamp Version
- New uniform and concentric diode pattern
- Product available in factory assembled white and black polycarbonate and stainless steel theft-resistant mounting flanges.
- Advanced Pin Connection System uses tin-plated, solid brass pin terminations



### SuperNova® Oval, U.S. 60 Series, LED Lamp

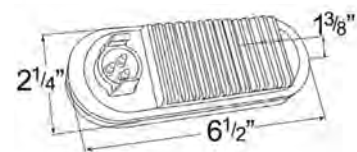
**Part No. GR53962, Grommet-Mount** Red

**Part No. GR53963, Grommet-Mount** Yellow

- Bullet-Proof potted LED circuit board
- Male pin termination for premium sealability
- Connects to ULTRA-BLUE-SEAL® harness
- Meets specifications for vertical & horizontal mounting
- Advanced Pin Connection System uses tin-plated, solid-brass terminals



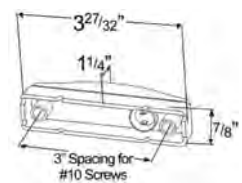
**Grote.**



### SuperNova® 3" Center Thin-Line Clearance / Marker LED Lamp

**Part No. GR78453**

- 3" mounting center
- Field-replaceable lens
- Encapsulant potting for total circuit-board protection
- Anti-torque design protects against over-tightening and lens cracking
- Meets PC function only when mounted at a 45° angle



### Thin-Line LED Pigtails

**Part No. GR66930 - 5" Long**

Factory molded plugs for use with ULTRA-BLUE SEAL trailer wiring system.

**Part No. GR66931 - 6" Long, for Ground Return System**

- UBS Sealing ring.
- Uses patented double-seal protection.
- Grease grooves for additional sealing protection.
- Factory molded plugs for use with ULTRA-BLUE-SEAL® trailer wiring system.





**TRUCK-LITE LED LIGHTING**

**LED Model 10 Products 2-1/2 Marker and Clearance Lights - 2 & 3 Diode**

- Electronics completely sealed in epoxy to resist corrosion & moisture
- Sonically sealed lens & housing
- Uses standard mounting holes & accessories
- Draws less current, allowing more power for other vehicle requirements
- Direct pin-to-circuit board solders assure vibration resistant contacts
- SureSeal plug assembly keeps corrosives from lamp
- High impact polycarbonate lens



**KITS**

**Part No. TL10050R** grommet mount - kit: Red  
(1) - TL10250R lamp, (1) - TL10700 grommet, (1) - TL93745 plug

**Part No. TL10050Y** grommet mount - kit: Yellow  
(1) - TL10250Y lamp, (1) - TL10700 grommet, (1) - TL93745 plug

**Part No. TL10051R** flange mount - kit: Red  
(1) - TL10251R lamp & flange, (1) - TL93745 plug

**Part No. TL10051Y** flange mount - kit: Yellow  
(1) - TL10251Y lamp & flange, (1) - TL93745 plug



**LAMPS ONLY:**

**For Grommet mount:**

**Part No. TL10250R** Red  
**Part No. TL10250Y** Yellow

**For Flange mount:**

**Part No. TL10251R** Red  
**Part No. TL10251Y** Yellow



**Super 10 ABS Horizontal lamp**

**Part No. TL10212Y** Super 10 Yellow

**Low Profile for grommet mount:**

**Part No. TL10286R** Red  
**Part No. TL10286Y** Yellow

**Low Profile for flange mount:**

**Part No. TL10389R** Red  
**Part No. TL10389Y** Yellow



**13 Diode pattern:**

**Part No. TL1050** Red  
**Part No. TL1050A** Yellow

- Standard PL-10 connection.
- Unique 13 diode starburst light output.
- Encapsulated electronics prevent damage from moisture & corrosion.





## TRUCK-LITE LED LIGHTING

### LED Model 10 Combination Products 2-1/2 - 8 Diode

- Innovative optic design allows one lamp the ability to function as two
- Electronics completely sealed in epoxy to resist corrosion & moisture
- Sonically sealed lens & housing
- Meets PC requirements on a 45 angle using all mounting devices
- Uses standard mounting holes & accessories
- Draws less current, allowing more power for other vehicle requirements
- Direct pin-to-circuit board solders assure vibration resistant contacts
- High impact polycarbonate lens
- Standard bullet terminal plug

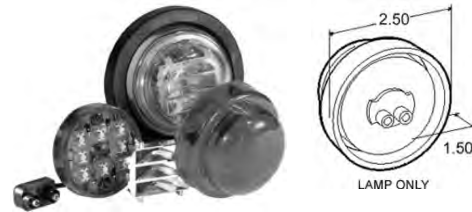
#### KITS: (With TL94964 plug - PL10 connector)

**Part No. TL10075R grommet mount - Kit:** Red

(1) - TL10275R lamp (1) - TL10700 grommet (1) - TL94964 plug

**Part No. TL10075Y grommet mount - Kit:** Yellow

(1) - TL10275Y lamp (1) - TL10700 grommet (1) - TL94964 plug



#### LIGHTS:

**Part No. TL10275R** Grommet Mount, Red

**Part No. TL10275Y** Grommet Mount, Yellow

**Part No. TL10276R** Beehive, Red

**Part No. TL10276Y** Beehive, Yellow

**Part No. TL10279R** Flange, Red

**Part No. TL10279Y** Flange, Yellow



### Model 15 License Light Kits

- High impact polycarbonate bracket
- Features snap-fit mount for quick installation & easy replacement
- Bracket may be surface mounted or used with bracket, TL15736

#### KITS:

**Part No. TL15040**

(1) - TL15205 12v lamp with adapter plug, (1) - TL15729 gray bracket.

#### LICENSE LIGHTS ONLY: (3 Diodes)

**Part No. TL15205** - 12v lamp with adapter plug.

**Part No. TL15208** - 12v lamp.

**Part No. TL15227** - 12v lamp, with bullets plug. (3 diodes)



### LED Model 15 Stainless Steel ID Bar (TL15250R lamps)

**Part No. TL15050R** Red

- Designed to fit applications requiring minimal space.
- Features stainless steel bar with three LED Model 15 lamps on 6" centers.
- Electronics completely sealed in epoxy to resist corrosion & moisture.
- Sonically sealed lens & housing Less susceptible to shock & vibration.
- Direct pin-to-circuit board solders assure vibration resistant contacts.





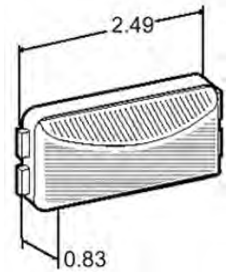
## TRUCK-LITE LED LIGHTING

### LED Model 15 Product Rectangular Sealed

- Direct pin-to-circuit board solders assure vibration resistant contacts
- Designed to fit applications requiring minimal space.
- Electronics completely sealed in epoxy to resist corrosion & moisture
- Less susceptible to shock & vibration
- Uses standard mounting holes & accessories
- High impact polycarbonate lens

**Part No. TL15250R (1 Diode)** Red

**Part No. TL15250Y (3 Diode)** Yellow



### Marker and Clearance LED Sealed. 2-3 diode pattern

- Electronics completely sealed in epoxy to resist corrosion & moisture
- Not suitable for PC requirements
- Uses standard connection.

**Part No. TL1560 (2 Diode)** Red

**Part No. TL1560A (3 Diode)** Yellow

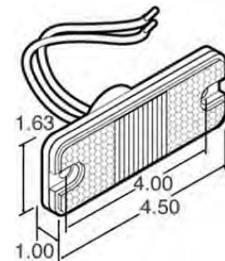


### LED Model 18 Products Sealed - 3 Diode

- Electronics completely sealed in epoxy to resist corrosion & moisture
- Uses standard mounting holes & accessories
- Less susceptible to shock & vibration
- Not suitable for PC requirements
- Meets SAE J592 standards
- Red & Yellow versions available Hard wired design
- High impact polycarbonate lens

**Part No. TL18050R** LED Lamp w/ Blunt Cut, Red

**Part No. TL18050Y** LED Lamp w/ Blunt Cut, Yellow

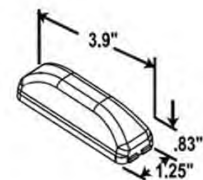


### LED Marker and Clearance - 4 Diode - Rectangular 1.25" x 3.9"

- Standard connection. • Encapsulated electronics.
- 4 diode LED pattern.
- Not recommended for PC applications.

**Part No. TL1960** Red

**Part No. TL1960A** Yellow



### Model 19, LED Sealed - 2/4 Diode and 4-6 Diode

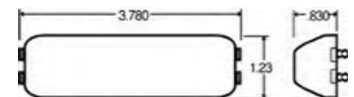
- Innovative optic design allows combination lamp the ability to function as two
- Designed to fit applications requiring minimal space
- Must be mounted horizontally
- PC rated lamps meet requirements on a 45°

**Part No. TL19250R (2 Diode)** Red

**Part No. TL19250Y (4 Diode)** Yellow

**Part No. TL19375R (4 Diode)** Red

**Part No. TL19375Y (6 Diode)** Yellow



### LED Model 19 Radius Gray Base Mount with 6.26" radius.

- Features unique plug-in design for ease of installation
- Low profile extra strength base, gray.
- Suitable for PC requirements on a 45 angle , polycarbonate base.

**Part No. TL19738**



## TRUCK-LITE LED LIGHTING

### LED Model 21 Combination Products Rectangular Sealed - 3-8 Diode

- DiamondShell hard coating available for additional protection
- Innovative optic design allows one PC rated lamp the ability to function as two
- Electronics completely sealed in epoxy to resist corrosion & moisture
- Less susceptible to shock & vibration.
- Uses standard mounting holes & accessories.
- Direct pin-to-circuit board solders assure vibration resistant contacts
- High impact polycarbonate lens
- Fit 'N Forget plug assembly keeps corrosives from lamp

#### KITS:

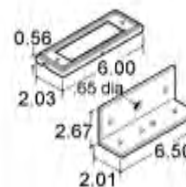
**Part No. TL21075R** Red  
(1) - TL21275R lamp, (1) - TL94862 plug.

**Part No. TL21075Y** Yellow  
(1) - TL21275Y lamp, (1) - TL94862 plug.

#### LIGHTS:

**Part No. TL21275R** Red

**Part No. TL21275Y** Yellow



### LED Model 21 Products Rectangular Sealed - 3 Diode

- DiamondShell hard coating available for additional protection
- Innovative optic design allows one PC rated lamp the ability to function as two
- Electronics completely sealed in epoxy to resist corrosion & moisture
- Less susceptible to shock & vibration.
- Uses standard mounting holes & accessories.
- Direct pin-to-circuit board solders assure vibration resistant contacts
- High impact polycarbonate lens
- Sure Seal plug assembly keeps corrosives from lamp

#### KITS:

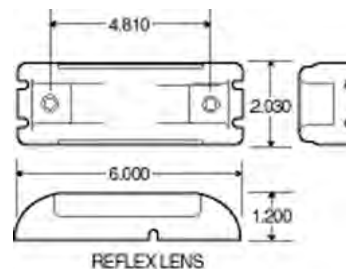
**Part No. TL21051R** Red  
(1) - TL21251R lamp, (1) - TL94862 plug.

**Part No. TL21051Y** Yellow  
(1) - TL21275Y lamp, (1) - TL94862 plug.

#### LIGHTS:

**Part No. TL21275R** Red

**Part No. TL21275Y** Yellow



### LED Model 21 Products Rectangular Sealed - 3 Diode ABS LIGHT:

**Part No. TL21210Y** Yellow





## TRUCK-LITE LED LIGHTING

### LED Model 30 Products 2" Sealed marker and clearance. - 2 and 3 Diode

- Electronics completely sealed in epoxy to resist corrosion & moisture
- Sonically sealed lens & housing
- Uses standard mounting holes & accessories
- Less susceptible to shock & vibration
- Direct pin-to-circuit board solders assure vibration resistant contacts
- Flange mount version permanently affixed to sealed lamp
- SureSeal plug keeps corrosives from LED lamp.

#### KITS

**Part No. TL30050R** Grommet Kit - Red  
(1) - TL30250R lamp, (1) TL30700 grommet, (1) - TL94862 plug.

**Part No. TL30050Y** Grommet Kit - Yellow  
(1) - TL30250Y lamp, (1) TL30700 grommet, (1) - TL94862 plug.

#### LIGHTS

**Part No. TL30250R** Red - Fit N Forget  
**Part No. TL30250Y** Yellow - Fit N Forget  
**Part No. TL30271Y** Yellow with ABS logo  
**Part No. TL30279R** Red - PL10 lamp  
**Part No. TL30279Y** Yellow - PL10 lamp  
**Part No. TL30285R** Red - Low Profile PL10 lamp  
**Part No. TL30285Y** Yellow - Low Profile PL10 lamp  
**Part No. TL30251R** Flange - Red



# Truck-Lite®

### LED Model 30 High Profile PC Rated, 2" Sealed - 8 Diode

- Most advanced & cost effective 2" clearance & marker lamp.
- LEDs have no filament, therefore are not susceptible to shock & vibration.
- Less current draw, resulting in increased battery & alternator life while allowing more power for other vehicle requirements.
- SAE PC rated for combination clearance/marker applications

**Part No. TL30275R** Red - PL10  
**Part No. TL30275Y** Yellow - PL10  
**Part No. TL30375R (2 Diode)** Red - Fit and Forget  
**Part No. TL30375Y (5 Diode)** Yellow - Fit and Forget



### LED Marker and Clearance, 2" round, 10 diode pattern

- Standard connection
- Unique 10 diode starburst light output
- Encapsulated electronics
- Not suitable for PC requirements

**Part No. TL3050** Red PL10  
**Part No. TL3050A** Yellow PL10



### LED Model 30 Beehive marker and clearance 2" Sealed, 2 and 5 diode.

- Popular replacement for cab marker or corner trailer applications.
- Meets SAE 592e & J2042 standards.

**Part No. TL30276R (2 Diode)** Red PL10







## TRUCK-LITE LED LIGHTING



### LED Model 33 3/4" Sealed marker and clearance, 1 diode pattern.

- World's smallest LED marker lamp for the transportation industry. legal requirements.
- Hard-wired lamp design is easily retrofitted
- Electronics completely sealed in epoxy to resist corrosion & moisture.
- Offers trailer engineers & manufacturers new trailer & rear door structure design flexibility.
- Requires 3/4" mounting hole.
- Reduces lighting costs due to physical damage & heat entrapment.

#### KITS

- Part No. TL33050R** Grommet Kit - Red  
**Part No. TL33050Y** Grommet Kit - Yellow  
**Part No. TL33075R** Grommet Kit - Red, with .180 bullet connection  
**Part No. TL33075Y** Grommet Kit - Yellow, with .180 bullet connection



#### LIGHTS

- Part No. TL33250R** Lamp - Red  
**Part No. TL33250Y** Lamp - Yellow  
**Part No. TL33275R** Lamp - Red - with .180 bullet connection  
**Part No. TL33275Y** Lamp - Yellow - with .180 bullet connection



### LED Model 33 Series 3-lamp grommet mount ID assembly

- Part No. TL33740R** 3 lamp - Red, 14 volt
- World smallest LED marker lamp for the transportation industry
  - Hard-wired lamp design is easily retrofitted
  - Requires 3/4" mounting hol



### LED Model 33 Series license lamp and grommet mount kit

- Part No. TL33010C**
- Hardwired lamp design is easily retrofitted, with only a 1-3/16" mounting hole required for grommet installation.
  - Product designed to fit in 33705 grommet.
  - Top and side plate mounting options.
  - When mounted into a module, all wires are hidden inside module.
  - Does not require a bracket, so it can be mounted directly into the vehicle.



### LED Model 35 Combo Marker and Clearance sealed, 5 diode

- Slim 3/4" wide design makes lamp perfect solution for narrow rail designs.
- SAE PC rated for combination clearance/marker applications.
- Must be mounted horizontally.

- Part No. TL35375R** LED Lamp - Red      Fit N Forget  
**Part No. TL35375Y** LED Lamp - Yellow      Fit N Forget





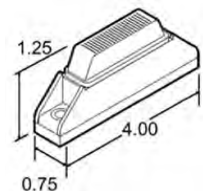
## TRUCK-LITE LED LIGHTING

### LED Model 35 Products Rectangular Sealed marker and clearance. 2 diode.

- Slim 3/4" wide design makes this lamp the perfect solution for lighting narrow trailer headers.
- Uses standard mounting holes on 3" centers.
- Electronics completely sealed in epoxy to resist corrosion & moisture.
- Less susceptible to shock & vibration.
- Must be mounted horizontally.
- **Kits include lamp & 94862 plug.**
- High impact polycarbonate lens Housing assembly.
- "Fit 'N Forget" plug assembly keeps corrosives from lamp.

#### KITS

|                          |               |
|--------------------------|---------------|
| <b>Part No. TL35001R</b> | Kit - Red,    |
| <b>Part No. TL35001Y</b> | Kit - Yellow  |
| <b>LIGHTS</b>            |               |
| <b>Part No. TL35200R</b> | Lamp - Red    |
| <b>Part No. TL35200Y</b> | Lamp - Yellow |



### Armored Mount For LED Model 35 Products

- Extruded aluminum armored mounting bracket protects individual lamps from damage.
- Wiring routed through .65" access hole in base of mount.

#### Part No. TL35720

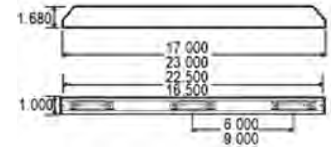


### LED Model 35 Aluminum ID Bar - 2 Diode - 14V

- Designed to fit applications requiring minimal space.
- Features aluminum bar with three LED Model 35 lamps on 6" centers.
- Slim 1" width is perfect for upper rail mounting.
- Electronics completely sealed in epoxy to resist corrosion & moisture.

#### Part No. TL35740R Red

(3) - TL352000R lamp, (1) TL00815 ID bar, (1) - TL96989 wiring harness.



### LED Model 36 Series Flex-Lite clearance marker - 3 diodes

- Provides a clearance/marker solution that requires no mounting brackets or installation screws.
- Lamps adhere directly to application surface through the use of heavy-duty adhesive backing.
- Rear exit wire version requires a 3/8" mounting hole, and self-seals hole upon installation.
- Easy-to-install peel-off liner.
- Hard-wired lamp design is easily retrofitable.

#### Part No. TL36115R Red

#### Part No. TL36115Y Yellow



### LED Model 36 Series Flex-Lite clearance marker - dual function - 3 diodes

- Lamps operate in minor and major output levels; major function activated by the brake function or turn signal.
- Yellow Major function is 3 times brighter than minor function.
- Red Major function is 7 times brighter than minor function.

#### Part No. TL36203R Red

#### Part No. TL36203Y Yellow





## TRUCK-LITE LED LIGHTING

### Super 44 Rear Turn, 4" Sealed / 42 Diode Pattern/ STT/T

- New slim housing fits into areas where space is at a premium.
- Electronics completely sealed in epoxy to resist corrosion & moisture
- Uses standard Model 40 mounting holes & accessories.
- SureSeal plug assembly keeps corrosives from lamps
- Mounting grommet Housing assembly with Light Emitting Diodes
- High impact polycarbonate lens .

**Part No. TL44202R** ST/T/T Grommet Mount, Red.

**Part No. TL44222R** ST/T/T Flange Mount, Red.



### LED 4" round 24 diode, ST/T/T and Front Park and Turn.

- Uses standard Right Angle connection.
- Unique LED array displays a full pattern light output design.
- Epoxy encapsulated electronics prevents damage from moisture and corrosion.

**Part No. TL4050** Grommet mount lamp, Red

**Part No. TL4050A** Grommet mount lamp, Yellow

### LED 4" round 24 diode, Back-up lamp

**Part No. TL4060C**

Recommended Accessories:

**TL40700** mounting grommet

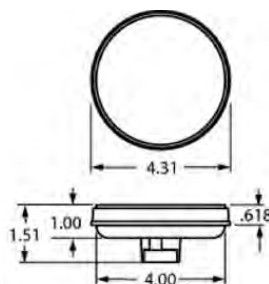
**TL40710** security grommet

**TL44701** chrome grommet cover

**TL44700** chrome grommet cover with hood

**TL94992** right angle plug (4060C)

**TL94993** ST/T/T plug (4050 / 4050A)



### LED Super 44 S/T/T Products 4" Sealed - 6 Diode

- Most advanced & cost effective LED S/T/T lamp on the market.
- Utilizes cold clinching joining process for a more reliable & robust product.
- Snap LED array dissipates heat more effectively, resulting in greater light output.
- Electronics completely sealed in epoxy to resist corrosion & moisture.
- Uses standard mounting holes & accessories.
- Fit 'N Forget plug assembly keeps corrosives away from LED lamps.

#### KITS

**Part No. TL44030R** Grommet Kit, Red

(1) - TL44302R lamp, (1) TL40700 grommet, (1) - TL94706 adapter plug.

**Part No. TL44032R** Gray Flange Kit, Red

(1) - TL44322R lamp and flange, (1) - TL94706 adapter plug.

**Part No. TL44036R** Black Flange Kit, Red

(1) - TL44326R lamp and flange, (1) - TL94706 adapter plug.

#### LIGHTS

**Part No. TL44302R** Lamp, Red

**Part No. TL44322R** Lamp & Gray Flange, Red

**Part No. TL44326R** Lamp & Black Flange, Red



### Mounting Cover Security Ring For Super 44 Flange Lamps - Stainless Steel

- Designed to enhance the appearance of lamps
- Flange cover offers improved theft resistance

**Part No. TL44705** Flange Cover





## TRUCK-LITE LED LIGHTING

### LED Model 60 S/T/T & F/P/T Products Oval Sealed - 26 Diode

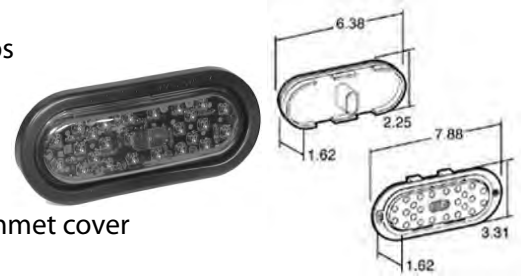
- Fit 'N Forget plug assembly keeps corrosives away from LED lamps
- Non metalized reflector High impact polycarbonate lens

#### KIT

**Part No. TL60050R** Grommet Kit, Red

(1) - TL60250R, (1) - TL60700 grommet, (1) - TL94706 adapter plug

Recommended Accessories: **TL60719** flange cover, **TL60721** grommet cover



### LED Super 60 Auxiliary/Turn Products 6" Sealed

- DiamondShell hardcoat version for additional protection
- Electronics completely sealed in epoxy to resist corrosion & moisture
- Less susceptible to shock & vibration
- Vibration sealed lens & housing
- Fit 'N Forget plug assembly keeps corrosives away from LED lamps.

#### KITS

**Part No. TL60072Y** Gray Flange Mount Kit, Yellow (26 Diode)

(1) - TL60272Y lamp and flange (1) - TL94789 adapter plug

**Part No. TL60075Y** Grommet Mount Kit, Yellow (26 Diode)

(1) - TL60275Y lamp, (1) TL60700 grommet, (1) - TL94789 adapter plug

**Part No. TL60080Y** Grommet Mount Kit, Yellow, seq. Arrow kit (25 Diode)

(1) - TL60280Y lamp, (1) TL60700 grommet, (1) - TL94789 adapter plug



#### LIGHTS

**Part No. TL60272Y** Lamp, Yellow (26 Diode)

**Part No. TL60275Y** Lamp, Yellow (26 Diode)

**Part No. TL60280Y** Lamp, Yellow, sequential arrow (25 Diode)

Recommended Accessories: **TL60719** flange cover, **TL60721** grommet cover

### LED Model 60 S/T/T & F/P/T Products Oval Sealed

- DiamondShell hardcoat versions for additional protection.
- Fit 'N Forget plug assembly keeps corrosives away from LED lamps.
- Non metalized reflector High impact polycarbonate lens.

**Part No. TL60250R** (26 Diode) LED Lamp, Red

**Part No. TL60252R** (26 Diode) LED Lamp & Gray Flange, Red

**Part No. TL60290Y** (44 Diode) LED Lamp, Yellow



### LED Model 60 High Mounted 6" Sealed Stop Grommet Mount Lamp

- Fit 'N Forget plug assembly keeps corrosives away from LED lamps
- Mounting grommet New flange mount version
- For use as auxillary brake light applications.

**No. TL60260R** Lamp 12v, Red (26 Diode)

#### Recommended Accessories:

**TL60721** grommet cover, **TL60700**, **TL94789** adapter plug.





## TRUCK-LITE LED LIGHTING

### Super 60 LED Side Turn Signal Lamp - 11 Diode

- Mounts at mid-point of trailer or where needed on tractor.
- Created using Advanced Optics Design (AOD) software, to produce maximum light dispersion
- Lamp life rated at 100,000 hours.
- Instantaneous glow time, 0.2 seconds faster than incandescent lamps.
- Superior resistance to shock and vibration.
- Lamp can be mounted on either side of vehicle.

#### KITS

**Part No. TL60115Y** Side Turn Grommet mount Lamp - Yellow  
(1) - TL60315Y lamp, (1) TL60700 grommet, (1) - TL94706 adapter plug

#### LIGHTS

**Part No. TL60315Y** Side Turn Grommet mount Lamp - Yellow

**Part No. TL60317Y** Side Turn Flange mount Lamp - Yellow



Recommended Accessories: TL60700 Grommet, TL60721 Decorative Grommet Cover, TL60719 Stainless Steel Flange Cover, TL94706 LED Fit 'N Forget/PL-3, adapter, TL94707 LED Fit 'N Forget connector.

### LED Model 60 S/T/T and front park and turn oval sealed 24 diode lamp

- Uses standard Right Angle plug.
- Unique LED array displays full pattern light output design.
- Epoxy encapsulated electronics prevents damage from moisture & corrosion.

**Part No. TL6050** Red

**Part No. TL6050A** Yellow

### LED Back-up 6" oval 24 diode pattern lamp.

**Part No. TL6060C** Clear



Recommended Accessories: TL60700 mounting grommet, TL60703 chrome grommet cover. TL60705 chrome grommet cover with hood, TL94992 right angle plug for 6060C, TL94993 ST/T/T plug for 6050 / 6050A.

### Mounting Covers For 60 Series Mounts

**Part No. TL60719** Flange cover

**Part No. TL60750** Mounting Flange



### LED Super 80 with 10 white diodes. Interior lamp.

- Die Cast Aluminum Housing. • White Powder Coat Finish
- Polycarbonate Lens. • 10 White 1Watt LED's.
- Lower profile than competitive lamps (will mount in 1" deep pocket).
- Nearly flush mount, only .1" protrusion. • Not affected by cold temperatures.
- LED's provide whiter, brighter light. • Retrofit or replacement is quick and easy.
- Flicker free lighting in all temperatures.

**Part No. TL80251C - Clear**

#### Technical Specifications

- Light Source: 10 White LED's. • Operating Voltage: 7v-16v
- Recommended Cut-out: 16"x4" • Current Draw: 2A • Power Consumption: 22W at 11v.



**LED LIGHTING - WORKLAMPS****Trucklite 4" LED Work Lamp, 6 diode, 250 Lumens**

- Features robust, cost effective, efficient design.
- Durable synthetic rubber housing resists corrosion
- Utilizes same 6 diode pattern as traditional Truck-Lite 4" Round LED Lamps (STT, Backup, Dome, etc.)

**Part No. TL81260** Clear**Trucklite 4" LED Work Lamp, 6 diode, 500 Lumens**

- Rugged all purpose work lamp.
- General purpose "Work" pattern.
- More even lighting than comparable incandescent work lamps.
- LED light is whiter and brighter than comparable incandescent lamps

**Part No. TL81360** Clear**Trucklite 4" LED Work Lamp, 6 diode, 500 Lumens**

- Rugged all purpose work lamp..
- Wide "Flood" pattern.
- More even lighting than comparable incandescent work lamps.
- LED light is whiter and brighter than comparable incandescent lamps

**Part No. TL81380** Clear**Trucklite LED Rectangular Work Lamp**

- Work pattern is ideal for light utility, construction, and more.
- Provides a brighter, crisper and whiter light output, closer to the color temperature of daylight.

**Part No. TL8160** Clear - 10 Diode, 750 Lumens**Part No. TL81500** Clear - 12 Diode 2850 Lumens**Grote LED Pendant Mount, Near Flood 26 diode, 1790 Lumens**

- Efficient light engine.
- Rugged mechanical design ensures consistent performance.
- Small size combined with tough construction.

**Part No. GR64G11** Clear**Grote LED Work Light, 3 diode, 600 Lumens**

- Compact design suits various applications
- Resistant to water and dust.
- Lamp includes a swivel stainless steel bracket, bolts and washers for easy installation.

**Part No. GR64H01** Clear**PRECO LED Work Lamp**

- Aluminum heatsink housing.
- Acrylic lens.

**Part No. E92004** Clear - 6 diodes, flood, 800 lumens**Part No. E92013** Clear - 24 diodes, spot, 650 lumens**PRECO LED Work Lamp, 5 diode, 750 Lumens**

- Aluminum heatsink housing.
- Acrylic lens.

**Part No. E92007** Clear, flood



## TRUCK-LITE LED LIGHTING

### LED Fit 'N Forget Stop/Turn/Tail Plug

- Keeps water, salt & other corrosives from LED lamps.
- 16 gauge GPT wire.
- Tin plated brass terminals.

#### Technical Specifications

Ground - 8" - #10 ring terminal - White

Tail - 8" - 6/32" wire strip - Black

Stop/Turn - 8" - 6/32" wire strip - Red

**Part No. TL94707**



### LED Fit 'N Forget Marker Clearance Plugs

- Keeps water, salt & other corrosives from LED lamps.
- 16 gauge GPT wire.
- Tin plated brass terminals.

#### Technical Specifications

Ground - 4.5" - #10 ring terminal - White

Marker/Clearance - 5" - .180 molded bullet - Black

**Part No. TL94718**



### LED Fit 'N Forget S/T/T & Adapter Plugs

- Keeps water, salt & other corrosives from LED lamps.
- 16 gauge GPT wire.
- Tin plated brass terminals.

#### Technical Specifications

Converts one S/T/T plug into LED Fit 'N Forget S/T/T plug

Ground - 8" - White, Tail - 8" - Black, Stop/Turn - 8" - Red

**Part No. TL94706**



### LED Fit 'N Forget Marker Clearance Plugs

- Keeps water, salt & other corrosives from LED lamps.
- 16 gauge GPT wire.
- Tin plated brass terminals

#### Technical Specifications

Ground - 4.5" - #6 ring terminal - White

Marker/Clearance - 5" - .180 molded bullet - Black

**Part No. TL94862**



### LED Fit 'N Forget Marker Clearance Adapter Plug

- Keeps water, salt & other corrosives from LED lamps.
- 16 gauge GPT wire.
- Tin plated brass terminals.
- Used to Adapt LED lamps to conventional systems.

**Part No. TL93745**



### LED Fit 'N Forget Marker Clearance Plug

- Keeps water, salt & other corrosives from LED lamps.
- 16 gauge GPT wire.
- Tin plated brass terminals

#### Technical Specifications

Ground - 5" - .180 molded bullet - White

Marker/Clearance - 5" - .180 molded bullet - Black

**Part No. TL97005**





## LENSES / CORROSION PREVENTATIVE / TESTERS

### Double Bullseye 4" oblong lens

**Part No. TL9007** - Red

**Part No. TL9007A**-Yellow

Clearance/Marker lens fits:  
Models 1201, 1203, 1204, 1211,  
1213, 1215, 1216, 1253.



### Oblong lens, 4"

**Part No. TL9093** - Red

**Part No. TL9093A**-Yellow

Clearance/Marker lens fits:  
Models 1258, 1259, 1262.



### BEEHIVE LENS

**Part No. TL26762Y**-Yellow

Model 26 series lights.

Features a beehive lens designed  
for cab marker use. Lens & housing  
are sonically sealed.

High impact polycarbonate  
construction.



### TURTLE BACK LENS

**Part No. GR91042** - Red

**Part No. GR91043** - Yellow

Clearance/Marker reflex  
lens fits: GR45462/3

Also similar to optic lens:

**Grote GR90172**-Red

**Grote GR90173**-Yellow



### RECTANGLE LENS 6-3/4"

**Part No. GR91302**

Red Stop/Turn/Tail  
lens fits: GR53722



### Ultra-Seal Corrosion Preventive Sealant

- Prevents rust and corrosion.
- Good mechanical stability.
- Added tackifiers improve adhesion and resistance to washout.
- Cost-effective, corrosion preventative sealant.
- Operating range -40°C to 150°C (-40°F to 302°F).
- 4 ounce (118 ml)

**Part No. GR99170**



**Grote.**

### NYK-77 Compound

- Corrosion preventive compound for electrical contacts, switches & junction boxes.
- For periodic use with all electrical contacts not using Fit 'N Forget connectors.
- Available in a variety of sizes.

**Part No. TL97940** 8 oz. can

**Part No. TL97943** 32 oz. can

**Part No. TL97944** 2 oz. tube

**Part No. TL97948** 14 oz. cartridge.



### LAMP AND CURCUIT TESTER

- Compact & rugged tester quickly checks function of lamps & wiring
- Can be used with all Truck-Lite sealed incandescent lamps & wiring systems
- Uses one standard 9-volt battery (included) **Part No. TL97100**



### TRAILER CABLE AND CURCUIT TESTER

- Compliment to the lamp & circuit tester.
- Uses high quality brass pins for reliable contact.
- LEDs quickly identify faulty circuits.
- Designed for use with 12 or 24 volt systems and negative or positive ground vehicles. **Part No. TL97101**







**REFLECTORS**

**Rectangular Reflector Adhesive Backing**

4.380" Wide, 1.920" high,  
Mounting Holes on 3.940" centers

**Part No. TL98001R** Red

**Part No. TL98001Y** Yellow



**Compact Rectangular Reflector Adhesive Backing**

4.375" Wide, 1.250" high,  
Mounting Holes on 3.938" centers

**Part No. TL98003R** Red

**Part No. TL98003Y** Yellow



**Flush type screw mount**

**3" reflectors with protective guard.**

**Part No. TL41** Red

**Part No. TL41A** Yellow



**Round stick-on adhesive back**

**2.187" diameter**

**Part No. TL45** Red

**Part No. TL45A** Yellow



**2" center mount reflectors**

**Part No. TL52** Red

**Part No. TL52A** Yellow



**Oval 2-hole reflectors.**

Can be used as stick-on by peeling off back paper, or mounted with screws.  
(4.437")

**Part No. TL54** Red

**Part No. TL54A** Yellow

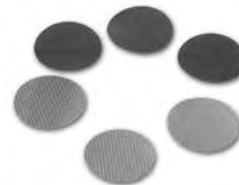


**3M™ 3" Round Conspicuity tape reflectors**

Exceeds SAE requirements for reflectors.  
Economical and easy to apply.  
983 Series Diamond Grade™.

**Part No. 1012557** Red

**Part No. 1012558** Amber



**PETERSON® ADHESIVE BACKED SPITFIRE™ WIDE ANGLE REFLECTORS**

Mounts on flat or curved surfaces. 50% wider angle of reflectively. Molded reflector - not tape or plastic. Only .012 inches thick. Exceeds D.O.T. specifications

**3" Round:**

**Part No. PM490R** Red

**Part No. PM490A** Amber

**4<sup>5</sup>/<sub>16</sub>" X 1<sup>11</sup>/<sub>16</sub>" Rectangle:**

**Part No. PM491R** Red

**Part No. PM491A** Amber



**ADHESIVE BACK - 3" Diameter**

**Part No. 1012578 (GR40052)** Red

**Part No. 1012579 (GR40053)** Yellow



**Single 2.19" center screw-on reflector.**

**Part No. 9791001 - Amber**

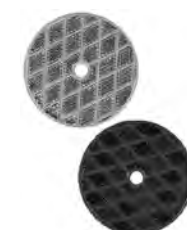
**Part No. 9791002 - Red**



**Single 3" center screw-on reflector.**

**Part No. 9791006 - Amber**

**Part No. 9791007 - Red**



**Single 3" round corrosion-proof, self-adhesive**

**Part No. 9791010 - Amber**

**Part No. 9791011 - Red**





**REFLECTIVE TAPE - CONSPICUITY TAPE - 3M**

**Part No. 1012560**  
2" x 12" White Strips  
Non-continuous  
7 year warranty.



**Part No. 1012561**  
1-1/2" x 150' roll  
11" Red / 7" White  
7 year warranty.



**Part No. 1012562**  
4" x 150' roll  
Solid Red.  
7 year warranty.



**Part No. 1012563**  
2" x 150' Kiss Cut roll  
12" White.  
7 year warranty.



**Part No. 1012564**  
2" x 150' Kiss cut roll  
9" Red.  
7 year warranty.



**Part No. 1012565**  
2" x 150' Kiss Cut roll  
9" White  
7 year warranty.



**Part No. 1012566**  
2" x 150' roll  
11" Red / 7" Silver  
5 year warranty.



**Part No. 1012567**  
1" x 150' roll  
11" Red / 7" White  
7 year warranty.



**Part No. 1012569**  
2" x 150' roll  
6" Red / 6" White  
7 year warranty.



**Part No. 1012570**  
Tape Kit for 48' trailer  
7 year warranty.



**Part No. 1012571**  
2" x 150' roll  
White roll.  
7 year warranty.



**Part No. 1012572**  
2" x 150' roll  
11" Red / 7" White  
7 year warranty



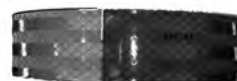
**Part No. 1012573**  
2" x 18" strips  
11" Red / 7" White  
7 year warranty.



**Part No. 1012574**  
Tape kit for 53' trailer  
7 year warranty.



**Part No. 1012575**  
2" x 150' Kiss Cut roll  
11" Red / 7" White  
7 year warranty



**Part No. 1012577**  
2" x 150' roll  
Yellow 983 Series  
7 year warranty



**CONSPICUITY STRIPS FOR MUDLFAP HANGERS - •Part number represents one strip**

**Part No. 033-04259** Straight reflective strips

**Part No. RT25** Straight reflective strips

**Part No. 033-04263** Angled reflective strips

**Part No. RT35** Angled reflective strips



•Reflective strips attached to aluminum strips. •Universal mount - for either roadside or curbside.  
•Can be used with any straight, shortie, bar or spring loaded bracket.



## STAR® WARNING AND EMERGENCY LIGHTS AND STROBES

**The 200S series** are our most popular medium profile strobe lights. The rugged die-cast base is fully gasketed and the modular circuit is completely encapsulated for increased shock and weather resistance. Field-selectable flash patterns via an internal jumper for quad flash, double flash, or single flash, RFI protection, and patented LED diagnostic indicator are standard. Ships complete with mounting hardware and instructions.

- Selectable single, double or quadflash.
- Brilliant flash. • Amber
- Medium profile (6 1/4" high).
- Life-long flash tube.
- Available sealed power supply.
- Fully gasketed to be weather resistant.

**Part No. 200S**



**The 201Z Series** is a small, dynamic, low profile strobe with a quick-snap lens and base assembly for easy field repairs. The polycarbonate lens is sealed to the base with a water resistant enhanced O-ring.

**Amber, Quad flash**

- 4 1/4" high, 4 1/4" diameter

**Part No. 201ZQ**



**The 200Z Series** is a compact and powerful, low profile strobe that is ideal for construction, forklift, or many other applications. The polycarbonate lens is clamped to the rugged die-cast aluminum base with a fully gasketed aluminum retaining ring to enhance water resistance. Ships complete with mounting hardware and instructions.

- Only 4 1/8" tall (very low profile). • Amber
- Aluminum retaining ring clamps polycarbonate lens to base.
- Fits almost anywhere! • Rugged die-cast base.

**Part No. 200Z - Single Flash**

**Part No. 200ZM - With Magnetic Mount, Eyeshield**



**The 255HTC** offers a patented LED diagnostic indicator, a photocell for automatic "night" mode.

**10 Selectable flash patterns**

6" High, Amber.

**Part No. 255HTC**

LED Halo Beacon.

**Part No. 255HTCL**



**The 255TS** is a 4" selectable LED flasher. Amber. A Great Choice!

**Part No. 255TS**

Magnetic Mount!

**Part No. 255TSM**



**The 240 Series** is our most popular and most versatile strobe light.

The circuit is completely encapsulated for increased shock and weather resistance. The rugged die-cast aluminum base is protected with a powder coat finish. Field selectable flash patterns via an internal jumper for quad flash, double flash, or single flash, RFI protection, and patented LED diagnostic indicator are standard. Ships complete with mounting hardware and instructions. Amber.

- 5 1/2 inch model for greater visibility. (240C Models)
- 4 1/4 inch model. (240S Models)
- Rugged die-cast aluminum base with powder coat finish and universal mounting.

Selectable Flash, default is Quad

**Part No. 240CF** (5-1/2")

Selectable Flash, default is Quad

**Part No. 240SF** (4-1/4")

With magnetic mount.

**Part No. 240SM**



**The 256TCL-A** LED offer selectable flash from double to quad. Twist off lens. Flange base. Amber. 6-11/16" tall.

**Part No. 256TCL-A**



**The 256TSL-A** LED offer selectable flash from double to quad. Twist off lens. Flange base. Amber. 4-3/4" tall.

**Part No. 256TSL-A**





**STAR® WARNING AND EMERGENCY LIGHTS AND STROBES**

The **9200S Series Star Mini-Bars®** are a compact, all-in-one package with the reliability and attention getting power you need. Dual high intensity strobes are enhanced with twin internal v-mirrors. Durable polycarbonate domes resist UV deterioration and are fully gasketed to protect against the elements. Ships complete with mounting hardware and instructions. Magnetic mount versions ship with attached plug with lighted On/Off switch and vinyl pads for magnets to avoid scratching. Doubleflash Star Mini-Bar® with two 360° remote strobeheads, one double V-mirror, one 2-head strobe pack. Amber

**Part No. 9200SQ**

Doubleflash Star Mini-Bar® with two 360° remote strobeheads, one double V-mirror, one 2-head strobe pack, magnetic mount and plug with lighted On/Off switch. Amber

**Part No. 9200SM**



The **9200H & 9200I Series Star MiniBars®** are a compact, all in one package, with the reliability and attention getting power you need. Dual rotators are enhanced with a single wall mirror. Durable polycarbonate domes resist UV deterioration and are fully gasketed to protect against the elements. The ABS plastic bases make these Star Mini-Bars® lightweight and will not corrode. Ships complete with mounting hardware and instructions. Magnetic mount versions ship with attached plug and vinyl pads for magnets to avoid scratching.

Mini-Bar with dual rotating **50 watt halogen bulbs**

**Part No. 9200H**

Mini-Bar with dual rotating 50 watt halogen bulbs, with magnetic mount.

**Part No. 9200HM**



**Flashing LED head**

Built in flasher. Selectable flash sequences. Encapsulated. Circuitry encased. Comes with pigtail.

**Part No. DLXTHU-4-A**



**Starburst™ Auxillary light**

Small, powerful, and weather resistant where intense LED lighting is needed. 1-7/16"H x 4"W x 1-7/8"Deep

**Part No. DLX3-A**



**Remote Strobe Head**

Oval, Amber. 2-1/2"H, 6-1/2"W, 2"D

**Part No. 3920A-MDOT**



**FLASH TUBES**

Replace the internal flash tube . For these models in stock:

**Part No. 129** 200 Series

**Part No. 129-Z** Compact 200

**Part No. 129DH** Quad Flash



**STROBE TUBE - 360 Degree:**  
**Part No. ST3901-7**





## FEDERAL SIGNAL WARNING-EMERGENCY LIGHTS AND STROBES

### PULSATOR 551

Features 10 joule power supply, 12 to 48VDC. Applications: dump trucks, crawlers, loaders. 6" tall, 6-1/2" diameter polycarbonate base. Double flash. Includes mounting hardware.

**Part No. 211681-02** Amber

#### Heavy Duty Version:

**(Gel-filled base-protection)**

**Part No. 211820-02** Amber



### Model 901 - Double Flash

Compact high intensity 16 joule strobe. Features a helical flash tube for increased light intensity. Polycarbonate lens and dust covers are standard.

5.75" high, 6.625" diameter

12-48VDC

**Part No. 211740-02** Amber



### PULSATOR 451 - Double Flash

8 joule power supply, 12 to 48VDC. Applications: Snowplows, highway vehicles. Enclosed polycarbonate base. 4" tall, 6-1/2" diameter.

**Part No. 211680-02** Amber

**Part No. 211680-05** Clear

#### Heavy Duty Version:

**(Gel-filled base-protection)**

**Part No. 211823-02** Amber



### MODEL 851 - Double Flash

An 12 joule power supply operates on 12-24VDC. Applications: Tow trucks, farm equipment, front loaders. Anodized aluminum base, polycarbonate lens.

7.50" high, 6.625" diameter base.

**Part No. 420400-02** Amber



#### Flash Tubes:

**Part No. 211200-95** - for 602 series

**Part No. 211400-95** - for 851 series

**Part No. 439290-95** - for 551 series

**Part No. 439411-95** - for 451 series

### Firebolt® Plus Strobe Single flash

Features modular power supply with replaceable flash tube. 12 to 72VDC.

Enclosed base with all mounting hardware.

3-5/8" high, 5" diameter.

**Part No. 220200-02** Amber



### FIREBOLT - Single Flash

2 joule power supply, 12 to 72VDC. Applications: forklifts, electric vehicles, industrial trucks & equipment. Tough, impact resistant polycarbonate lens and housing.

3-5/8" high, 5" diameter base.

Includes mounting hardware.

**Part No. 220100-02** Amber

**Part No. 220100-05** Clear



### MODEL 651 - Double Flash

Features 12 joule power supply, 12 - 48VDC. Applications: Snowplows, highway vehicles, school buses, cranes.

Anodized aluminum base

5-3/4" high, 6-5/8" diameter.

**Part No. 420200-02** Amber



### Highlighter™ Mini-Lightbars

15", 12VDC, 95FPM, 2 rotators. Diagonal mirror, permanent mount.

**Part No. 450112-02** Amber

**Magnetic suction cups and cord mounting kit - (after 2002)**

**Part No. 452341** Kit



### Highlighter™ LED Mini-Lightbars

Amber (2) with suction cups:

**Part No. 45410HL-02**

Amber/Clear with suction cups:

**Part No. 454101HL-25**



### Highlighter™ Plus LED Mini-Lightbars.

**Part No. 454201HL-02**

LED version of above, Amber (2) permanent mount. 360° light. A variety of Pattern Selections.





## GROTE AND TRUCKLITE EMERGENCY LIGHTS AND STROBES

### 2 Sealed Beams ROTO-BEACON®

- 12V, yellow lens.
- Clutched gearbox design.
- Sealed, permanently lubricated gear box.
- Revolves 360 degrees.
- 60-120 flashes per minute.



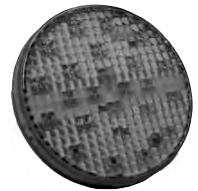
Grote.

**Part No. GR76223**

### SuperNova® 4" LED Strobe Light

- Encapsulant potting protects the circuit board against dirt, moisture, and corrosion.
- Internal circuitry eliminates the need for an external power supply or control module.
- Requires only a 12-volt DC connection for power.
- Functions as either a dual flash strobe or a quad flash strobe.
- Lamps fit 4 inch standard mounting.
- Lamps mount in any orientation.
- Grote's rugged Plug-and-Go® terminals make for a quick, easy connection every time.

Grote.



4.35" diameter

**Part No. GR77353**

### SuperNova® Oval LED Strobe Light

- Encapsulant potting protects the circuit board offering protection against dirt, moisture and corrosion.
- Internal circuitry eliminates the need for an external power supply or control module.
- Requires only a 12-volt DC connection for power.
- Functions as either a dual flash strobe or a quad flash strobe.
- Lamps fit oval standard mounting holes.
- Lamps mount in any orientation.
- Grote's rugged Plug-and-Go® terminals make for a quick, easy connection every time.

Grote.



6.50" diameter

**Part No. GR77363**

### Super 44 Series LED Integral Strobe - 42 diode pattern

- External power pack not required
- Metalized reflector version offers more intense focused light
- Dual or quad flashing patterns
- Meets recommended SAE J1318 & J845 photometric specifications
- Synchronized alternating feature
- Lamp life rated at 100,000 hours
- Resistance to shock & vibration
- Fit'N Forget adapter plug provides corrosion & moisture resistance, 16 ga. wire
- Integral flange option features built-in lens

TruckLite



4.35" diameter

**Part No. TL44102Y kit includes: (TL44212Y, TL40700 grommet, TL95220 connector)**

### Super 60 Strobe LED Integral Strobe - 36 diode pattern

- External power pack not required
- Metalized reflector version offers more intense focused light
- Non-metalized version offers wider viewing angle
- Dual or quad flashing patterns
- Lamp life rated at 100,000 hours
- Meets recommended SAE J1318 & J845 photometric specifications
- Mounts horizontally or vertically
- Resistance to shock & vibration
- Fit'N Forget adapter plug provides corrosion & moisture resistance, 16 ga. wire



6.50" diameter

TruckLite

**Part No. TL60120Y kit includes: (TL60362Y, TL60700 grommet, TL95220 connector)**



**PRECO LED WARNING LIGHTS**

**LED Warning Light.**

The 3510 surface mount LED warning light is only 3.3" x 1.1" and only 0.4" deep which allows mounting in almost any location on a vehicle body. Features include a UV stabilized polycarbonate lens and pre wired 9' cable with in-line waterproof driver module.

**Part No. 3510A** Amber



**Directional Warning Light**

ECCOs most popular directional LED, featuring a tough polycarbonate housing with urethane encapsulated electronics, these super bright LED heads offer synchronization capability and 7 flash patterns.

**Part No. 3811A** Amber



**BACK UP ALARMS**

**BAC-A-LARM® 200 Series**

This 200 Series alarm is in the highest demand category of any low sound level alarm on the market.

Weight: 10 oz. Dimensions: 4.02L, 1.6"D, 2.67"H.

**Part No. 220 87 Decibels,**

12V, SAE J994 Type D

**Part No. 230 97 decibels,**

12V, SAE J994 Type C

**Part No. 250 102 Decibels, 12-24V**

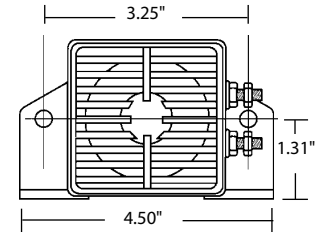
**Part No. 270 107 Decibels, 12-24V**



**PRECO Dual-Sound - 97db.**

This Dual Sound Alarm is designed for use in special applications requiring back-up alarm warning plus an additional warning sound for another hazardous operation of the vehicle.

**Part No. DS232**



**PRECO Dual-Tone 82-112db Backup Alarm**

Versatile, durable housing provides optimum value, stud terminal connections, universal mounting provides vertical or horizontal mounting options, automatically adjusts to 10 decibels above the surrounding noise reducing noise pollution and irritation for operators and workers.

**Part No. 1059**



**40-Series BAC-A-LARM**

The most compact 4" alarm on the market.

This flush mount alarm fits into any 40 series round hole and requires no tools for installation.

- Use industry standard 40-series grommets (TL40700).
- Use industry standard 2 or 3 pronged pigtails • Dimensions: 4<sup>5</sup>/<sub>16</sub>" round, 1<sup>3</sup>/<sub>4</sub>" deep. • Weight 12 oz.
- Voltage spike protected. • Works with positive or negative ground systems. • 2 Year warranty

**Part No. 4030** 97 decibels - 12V

**Part No. 4050** 102 decibels - 12-24V



**Federal Signal** Evacuator Plus backup alarms feature a lightweight piezo-electric output circuit. It is steam cleanable. It is reverse polarity and voltage spike protected, and can be installed on positive and negative ground vehicles.

**Sound Level Part No.**

87 dB **210330**

97 dB **210331**

107 dB **210333**

112 dB **210335**



**Velvac Speaker Style Back-up Alarm**

Velvac speaker style back-up alarms feature chemical resistant, high impact housings. Universal flange for mounting flexibility and two 16 gauge, 9 inch color-coded wire leads for fast, dependable installation. In addition, each unit is polarity and voltage protected.

**97 Decible Alarms, 12-24V Part No. 697097**



**FLEETCRAFT MINIATURE BULBS****FC194****FC1156****FC1157****FC1893**

| Bulb Part No.   | Bulb    | Service and Special Description | Design Volts | Design Amps | Rated Ave. Life (Hrs) | Base        | Overall Length |
|-----------------|---------|---------------------------------|--------------|-------------|-----------------------|-------------|----------------|
| <b>FC37</b>     | T-1 3/4 | Auto                            | 14.00        | .09         | 1500                  | Wedge       | .800           |
| <b>FC53</b>     | G-3 1/2 | Auto and Indicator              | 14.40        | .12         | 1000                  | Min. Bay.   | .937           |
| <b>FC57</b>     | G-4 1/2 | Auto                            | 14.00        | .24         | 500                   | Min. Bay.   | 1.063          |
| <b>FC67</b>     | G-6     | Auto                            | 13.50        | .59         | 5000                  | S.C. Bay.   | 1.437          |
| <b>FC73</b>     | T-1 3/4 | Auto and indicator              | 14.00        | .08         | 15000                 | Wedge       | .800           |
| <b>FC89</b>     | G-6     | Auto                            | 13.00        | .58         | 750                   | S. C. Bay.  | 1.437          |
| <b>FC97</b>     | G-6     | Auto                            | 13.50        | .69         | 5000                  | S. C. Bay.  | 1.437          |
| <b>FC194</b>    | T-3 1/4 | Auto                            | 14.00        | .27         | 3500                  | Wedge       | 1.063          |
| <b>FC194A</b>   | T-3 1/4 | Auto                            | 14.00        | .27         | 3500                  | Wedge       | 1.063          |
| <b>FC198</b>    | S-8     | Auto                            | 12.80        | 2.25        | 1500                  | D. C. Index | 2.000          |
| <b>FC561</b>    | T-3     | Auto                            | 12.80        | .97         | 1000                  | Dble Wedge  | 1.719          |
| <b>FC904</b>    | T-5     | Auto                            | 13.50        | .69         | 5000                  | Wedge       | 1.500          |
| <b>FC906</b>    | T-5     | Auto - Heavy Duty               | 13.00        | .69         | 1000                  | Wedge       | 1.490          |
| <b>FC912</b>    | T-5     | Auto                            | 12.80        | 1.00        | 1000                  | Wedge       | 1.500          |
| <b>FC1003</b>   | B-6     | Auto                            | 12.80        | .94         | 200                   | S. C. Bay.  | 1.750          |
| <b>FC1141</b>   | S-8     | Auto                            | 12.80        | 1.44        | 1000                  | D. C. Bay.  | 2.000          |
| <b>FC1142</b>   | S-8     | Auto                            | 12.80        | 1.44        | 1000                  | D. C. Bay.  | 2.000          |
| <b>FC1156</b>   | S-8     | Auto                            | 12.80        | 2.10        | 1200                  | S. C. Bay.  | 2.000          |
| <b>FC1157</b>   | S-8     | Auto                            | 12.80        | 2.10        | 1200                  | D. C. Index | 2.000          |
| <b>FC1157NA</b> | S-8     | Auto                            | 12.80        | 2.10        | 1200                  | D. C. Index | 2.000          |
| <b>FC1889</b>   | T-3 1/4 | Auto                            | 14.00        | .27         | 3500                  | Min. Bay.   | 1.188          |
| <b>FC1893</b>   | T-3 1/4 | Radio                           | 14.00        | .33         | 7500                  | Min. Bay.   | 1.188          |
| <b>FC1895</b>   | G-4 1/2 | Auto                            | 14.00        | .27         | 3500                  | Min. Bay.   | 1.188          |
| <b>FC3157</b>   | S-8     | Auto                            | 12.80        | 2.10        | 1200                  | D. C. Wedge | 2.120          |
| <b>FC3157NA</b> | S-8     | Auto                            | 12.80        | 2.10        | 1200                  | D. C. Wedge | 2.120          |

**HEADLAMP BULBS**

| Bulb Part No.     |               | Design Volts | Design Watts | Rated Ave. Life (Hrs) | Base        |
|-------------------|---------------|--------------|--------------|-----------------------|-------------|
| <b>BP886</b>      | Auto Fog      | 12.80        | 3.90 amps    | 150                   | Right Angle |
| <b>FC896</b>      | Fog - Volvo   | 12.80        | 38.00        | 200                   | Right Angle |
| <b>FC9004</b>     | High/Low beam | 12.80        | 65.00        | 150                   | Axial       |
| <b>FC9005XS</b>   | High Beam     | 12.80        | 65.00        | 150                   | Axial       |
| <b>FC9005XSLL</b> | High Beam     | 12.80        | 65.00        | 700                   | Axial       |
| <b>FC9006XS</b>   | Low Beam      | 12.80        | 55.00        | 320                   | Right Angle |
| <b>FC9006XSLL</b> | Low Beam      | 12.80        | 55.00        | 2000                  | Right Angle |
| <b>FC9007</b>     | Dual beam     | 12.80        | 65 / 55      | 150 / 320             | Axial       |
| <b>9005</b>       | High Beam     | 12.80        | 65.00        | 800                   | Right Angle |
| <b>9006</b>       | Low Beam      | 12.80        | 55.00        | 320                   | Axial       |
| <b>9007</b>       | Dual beam     | 12.80        | 65 / 55      | 150 / 320             | Axial       |

FC Prefix =  
Fleetcraft Bulb**ROUGH SERVICE BULBS****Part No. RS75** - Rough Service 75 Watt**Part No. RS75C** - Coated/Shatterproof 75 Watt**Part No. RS100** - Rough Service 100 Watt**Part No. RS100C** - Coated/Shatterproof 100Watt





**MINIATURE BULBS**



**L67**



**L194**



**L1157**



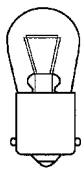
**L1893**



**L1895**



| Lamp Trade No. | Bulb    | Service and Special Description    | Design Volts | Design Amps | Rated Ave. Life (Hrs) | Base          | Overall Length |
|----------------|---------|------------------------------------|--------------|-------------|-----------------------|---------------|----------------|
| <b>L37</b>     | T-1 3/4 | Auto                               | 14.00        | .09         | 1500                  | Wedge         | .800           |
| <b>L53</b>     | G-3 1/2 | Auto and Indicator                 | 14.40        | .12         | 1000                  | Min. Bay.     | .937           |
| <b>L67</b>     | G-6     | Auto                               | 13.50        | .59         | 5000                  | S.C. Bay.     | 1.437          |
| <b>L74</b>     | T-1 3/4 | Auto                               | 14.00        | .10         | 500                   | Wedge         | .800           |
| <b>L89</b>     | G-6     | Auto                               | 13.00        | .58         | 750                   | S. C. Bay.    | 1.437          |
| <b>L97</b>     | G-6     | Auto                               | 13.50        | .69         | 5000                  | S. C. Bay.    | 1.437          |
| <b>L193</b>    | T-3 1/4 | Auto                               | 14.00        | .33         | 75,000                | Wedge         | 1.063          |
| <b>L194</b>    | T-3 1/4 | Auto                               | 14.00        | .27         | 3500                  | Wedge         | 1.063          |
| <b>L199</b>    | S-8     | Auto                               | 12.80        | 2.25        | 1500                  | S. C. Bay.    | 2.000          |
| <b>L211-2</b>  | T-3     | Auto                               | 12.80        | .97         | 1000                  | Dble End Cap  | 1.719          |
| <b>L561</b>    | T-3     | Auto                               | 12.80        | .97         | 1000                  | Dble Wedge    | 1.719          |
| <b>L899</b>    | T-3 1/4 | Auto Fog                           | 12.80        | 2.93        | 1900                  | Axial,Plastic | 2.680          |
| <b>L904</b>    | T-5     | Auto                               | 13.50        | .69         | 5000                  | Wedge         | 1.500          |
| <b>L906</b>    | T-5     | Auto                               | 13.00        | .69         | 1000                  | Wedge         | 1.500          |
| <b>L912</b>    | T-5     | Auto                               | 12.80        | 1.00        | 1000                  | Wedge         | 1.500          |
| <b>L1003</b>   | B-6     | Auto                               | 12.80        | .94         | 200                   | S. C. Bay.    | 1.750          |
| <b>L1156</b>   | S-8     | Auto                               | 12.80        | 2.10        | 1200                  | S. C. Bay.    | 2.000          |
| <b>L1157</b>   | S-8     | Auto                               | 12.80        | 2.10        | 1200                  | D. C. Index   | 2.000          |
| <b>L1157NA</b> | S-8     | Auto Amber                         | 12.80        | 2.10        | 1200                  | D. C. Index   | 2.000          |
| <b>L1893</b>   | T-3 1/4 | Auto Heavy Duty                    | 14.00        | .33         | 7500                  | Min. Bay.     | 1.188          |
| <b>L1895</b>   | G-4 1/2 | Auto, Truck Marker                 | 14.00        | .27         | 3500                  | Min. Bay.     | 1.188          |
| <b>L3057</b>   | S-8     | Auto Stop, Signal                  | 12.80        | 2.10        | 1200                  | D. C. Wedge   | 2.120          |
| <b>L3156</b>   | S-8     | Auto Stop                          | 12.80        | 2.10        | 1200                  | S. C. Wedge   | 2.120          |
| <b>L3157</b>   | S-8     | Auto Stop, Signal                  | 12.80        | 2.10        | 1200                  | D. C. Wedge   | 2.090          |
| <b>L3157NA</b> | S-8     | Auto Stop, Signal<br>Natural Amber | 12.80        | 2.10        | 1200                  | D. C. Wedge   | 2.090          |



**B-6**



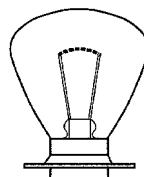
**G-3 1/2**



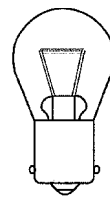
**G-4 1/2**



**G-6**



**RP-11**



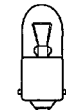
**S-8**



**T-3**



**T-3 1/4**



**T-3 1/4**



**T-5**



**SEALED BEAMS - HALOGEN LAMPS - HALOGEN BULBS**

**Compared to Incandescent Bulbs, Halogen Bulbs Provide:**

- Crisp, white light. • Excellent beam control
- High lumen maintenance (which means it stays bright over most of its life)
- Energy savings. • Compact size • Long life



**H6054HO - GE Halogen High Output  
80% more light, 2x the life! (H=Halogen)**

| Lamp Trade No. | Bulb   | Service and Special Description                                    | Design Volts | Design Watts PR Amps | Rated Ave. Life (Hrs) | Base              |
|----------------|--------|--|--------------|----------------------|-----------------------|-------------------|
| L4411-3        | PAR-36 | Tractor  | 12.80        | 35.0                 | 300                   | Combination       |
| L4416          | PAR-36 | Auto Spot  | 12.80        | 30.0                 | 300                   | M-P               |
| L4421          | PAR-36 | Auto Special Service   | 13.00        | 100.0                | 300                   | M-P               |
| L4509          | PAR-36 | Aviation Landing   | 13.00        | 100.0                | 25                    | M-P               |
| L4537          | PAR-46 | Aviation Landing   | 13.00        | 100.0                | 25                    | M-P               |
| H4651          | REC-58 | Auto Headlamp High Beam<br>4 Lamp Rectangular System               | 12.80        | 50.0                 | 200                   | 2 Lugs            |
| 4652           | REC-58 | Auto Headlamp Low Beam<br>4 Lamp rect. System (Halogen)            | 12.80        | 60.0                 | 200                   | 3 Lugs            |
| H4656          | 165mm  | Auto Headlamp Low Beam<br>4 Lamp rect. System (Halogen)            | 12.80        | 35.0                 | 200                   | 3 Lugs            |
| H4656HO        | 165mm  | Auto Headlamp High Beam<br>4 Lamp rect. System (Halogen) Low Beam  | 12.80        | 40.0<br>12.80        | 200<br>55.0           | 3 Lugs<br>700     |
| L4921-1        | 165mm  | Rectangular 4.2" x 6.5"-Auto/Truck                                 | 13.00        | 100.00               | 300                   | Slip-on terminals |
| H5006          | PAR-46 | Auto Headlamp Low Beam<br>Round System (Halogen)                   | 12.80        | 35.0                 | 200                   | 3 Lugs            |
| H5054          | 200mm  | Rect 5.6" x 7.9"-Truck High/Low                                    | 12.80        | 65.0 / 42.0          | 400 / 2000            | 3 Lugs            |
| H5062          | 165mm  | Rect 4.2" x 6.5"-Truck High/Low                                    | 12.80        | 40.0 / 55.0          | 400 / 2000            | 3 Lugs            |
| H6024          | PAR-56 | Auto Headlamp Round Hi / Low<br>2 Lamp System (Halogen)            | 12.80        | 60.0 / 35.0          | 150 / 320             | 3 Lugs            |
| H6054          | REC-68 | Auto Headlamp Rectangular Hi/Low<br>2 Lamp System (Halogen)        | 12.80        | 65.0 / 35.0          | 150 / 320             | 3 Lugs            |
| H6054HO        | REC-68 | Auto Headlamp Rectangular Hi/Low<br>Hi/Low (Halogen) Higher Output | 12.80        | 65.0 / 55.0          | 150 / 700             | 3 Lugs            |
| H9406          | 150mm  | Rectangular 3.6" x 5.9"-Tractor/Flood                              | 12.80        | 50.0                 | 400                   | 2 Rt angle Lugs   |
| H9420          | 150mm  | Rectangular 3.6" x 5.9"-Auto                                       | 12.80        | 50.0                 | 200                   | 2 Rt angle Lugs   |
| H9421          | 150mm  | Rectangular 3.6" x 5.9"-Auto/Truck                                 | 12.80        | 50.0                 | 200                   | 2 Rt angle Lugs   |

**HALOGEN HEADLAMP BULBS**

| Replaceable Halogen Headlamp Bulbs |            |              |              |                       |           |
|------------------------------------|------------|--------------|--------------|-----------------------|-----------|
| Bulb Part No.                      | Design Amp | Design Volts | Design Watts | Rated Ave. Life (Hrs) | Base Type |
| H1-55W                             | 4.58       | 13.20        | 55.0         | 225                   | P14.5s    |
| H3-35W                             | 2.92       | 13.20        | 35.0         | 400                   | PK22s     |
| H3-130W                            | 10.83      | 13.20        | 130.0        | 50                    | PK22s     |
| H7-55W                             | 4.58       | 13.20        | 55.0         | 500                   | PX26d     |
| H11-55W                            | 4.58       | 12.00        | 55.0         | 500                   | PGJ19-2   |





## HADLEY AIR HORNS AND ACCESSORIES

### Metal Round Horn with Black Finish For Vehicles with Air Brakes. The Hadley Bully Series.

Horn Dimensions:  
14-15/16" overall length.  
1/4" PTC fitting size.

**Part No. H00640R**



### Chrome Plated Horn Kit - Lanyard Activated

Horn Dimensions: 15-5/16" L x 7" W x 3<sup>3</sup>/<sub>4</sub>" H  
Black body, chrome projectors, dual horn  
Kit contains: **H00910CA Horns**, H00755N  
Lanyard Valve, H131110-2 Nylon Tubing

**Kit Part No. H00900CA**

Also available separately:  
**H00910CA Horn**



### Rectangular Bell The Original For Vehicles with Air Brakes Lanyard Activated

Horn Dimensions:  
26" L x 8<sup>1</sup>/<sub>2</sub>" W x 4<sup>3</sup>/<sub>4</sub>" H  
29" L x 8<sup>1</sup>/<sub>2</sub>" W x 4<sup>3</sup>/<sub>4</sub>" H

All chrome twin single horns  
Kit Includes: **H00978, H00977 Horns**,  
H755VE Manual Lanyard Valve,  
H13110-11 1/4" O. D. Nylon Tubing 13',  
HPB859-0, HPB977-11 Parts Bags  
**Kit Part No. H00981**

Also available separately:  
**H00978 (26") H00977 (29") Horns**



### Chrome Plated Horn Lanyard Activated

Horn Dimensions: 15-5/16" L x 7" W x 3<sup>3</sup>/<sub>4</sub>" H  
**Kit Part No. H00910CA**



# HADLEY®

**HADLEY AIR HORN ACCESSORIES****Manual Lanyard Valve  
(Remote Mount)**

For Horn Kits H859, H981  
**Part No. H00755VE**

**Compressor Kit**

Compressor and parts kit for  
complete installation.  
**Part No. H00850EC**

**Air Tank**

Bully kits. 5" x 7",  
137 Cubic inch.  
**Part No. H00626**

**Snow & Bug Shields:  
Stainless Steel to Protect  
Horns from the Elements**

Bell sizes 3<sup>3</sup>/<sub>4</sub>" & 4".  
**Part No. H00926**  
(Part No. = 1 pair)

**Chrome  
Projector Support  
(Open Top)**

Includes fiber pad and  
rubber grommet.  
**Part No. H13723S**

**Pressure Switch**

For Bully. For 12V electric  
compressor 120 - 150 psi.  
**Part No. H13940S**

**Air Gauge  
(160 PSI)**

Safely monitor the pressure  
in a supply tank  
**Part No. H14212S**

**Manual Lanyard Valve**

Releases air from supply tank  
without electrical hookup. All  
brass with tension washers  
and compression fittings.  
**Part No. H00755NS**

**Solenoid Kit  
Remote Mount**

For Horn Kit H981D  
**Part No. H00550A**

**Solenoid Kit  
Tank Mount**

For Horn Kits H961CA,  
H961EA, H977N, H859E.  
Direct installation on small  
or large air tank.  
1/8" NPT x 1/4" tubing  
**Part No. H00550B**

**Brass Compression Fitting,  
90 Deg. Elbow**

Use if headliner is 1/2" or  
less. 1/4" O. D. tubing x  
7/16"-24 horn mounting.  
**Part No. H11477S**

**HADLEY**



## FIFTH WHEEL SECTION - SELECTION

### 5th Wheel Top Plates and Parts: We stock the top brands in the industry!



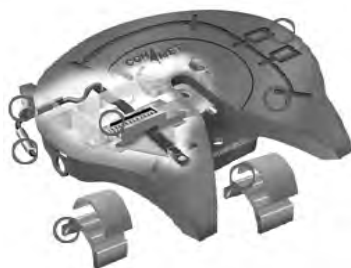
**SAF-HOLLAND** fifth wheels embody a history of evolutionary designs that expand fifth wheel function and value. These innovative advancements guarantee performance and offer proven value for your application.



**FONTAINE** has pioneered a lot of change in the industry, but one thing remains the same: Fontaine delivers the best value at the lowest total cost.

# JOST

**JOST** has been manufacturing fifth wheel coupling devices globally since 1956. We believe that the market acceptance to our fifth wheel product is the result of advanced technologies particularly as it relates to safety of the locking mechanism and also to lifetime cost of ownership.



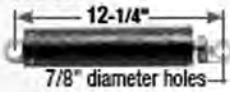


## FONTAINE 5TH WHEEL PARTS

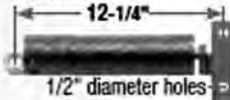
### The Most Common repair parts by model type

#### Air cylinders for air slide brackets

##### CYL-COMP



##### CYL-XAWX



##### CYL-5AWS-2



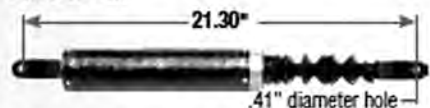
##### CYL-610-3



##### CYL-LWS



##### CYL-LWO-LWI



#### Air cylinders for air actuated top plates

##### KIT-AA-6000L or R



##### KIT-AA-5092L or R



#### Air line kits

##### KIT-AIR-DASH



Kit to complete the in-dash installation.

##### KIT-AIR-COIL

Kit to connect the air actuated fifth wheel or fifth wheel air sliders to the air system.



#### TPL7000 and TPL6000 fifth wheel kits

| Description                           | Part No.           |
|---------------------------------------|--------------------|
| Minor rebuild kit road side release.. | KIT-RPR-6000L      |
| Major rebuild kit road side release.. | KIT-RX-67NLT       |
| Rebuild kit curb side release.....    | KIT-RPR-6000R      |
| Wedge-stop rod.....                   | KIT-ROD-1108       |
| Bracket pin (one-piece bushing) ..... | KIT-PIN-191        |
| Bracket pin (two-piece bushing).....  | KIT-PIN-LLB        |
| Secondary lock.....                   | KIT-LAT-6000L or R |
| Spring kit.....                       | KIT-SPRING         |
| Bumper kit.....                       | KIT-BPR-6000L or R |
| Timer.....                            | KIT-TMR-6000L or R |
| Operating handle.....                 | KIT-OPR-6000       |
| Pull handle.....                      | KIT-PUL-6000L or R |
| Air actuated.....                     | KIT-AA-6000L or R  |

#### TPLH5092 and TPLX5092 fifth wheel kits

| Description                        | Part No.           |
|------------------------------------|--------------------|
| Rebuild kit road side release..... | KIT-RPR-5092L      |
| Rebuild kit curb side release..... | KIT-RPR-5092R      |
| Wedge-stop rod.....                | KIT-ROD-1108       |
| Bracket pin (H5092 models).....    | KIT-PIN-191        |
| Bracket pin (X5092 models).....    | KIT-PIN-XHD        |
| Pull handle.....                   | KIT-PUL-5092       |
| Timer.....                         | KIT-TMR-134L or R  |
| Bumper kit (H5092 models).....     | KIT-BPR-5092L or R |
| Bumper kit (X5092 models).....     | KIT-BPR-131L or R  |
| Operating handle.....              | OPR-5000-SL or SR  |

#### TPL7000CC fifth wheel kits

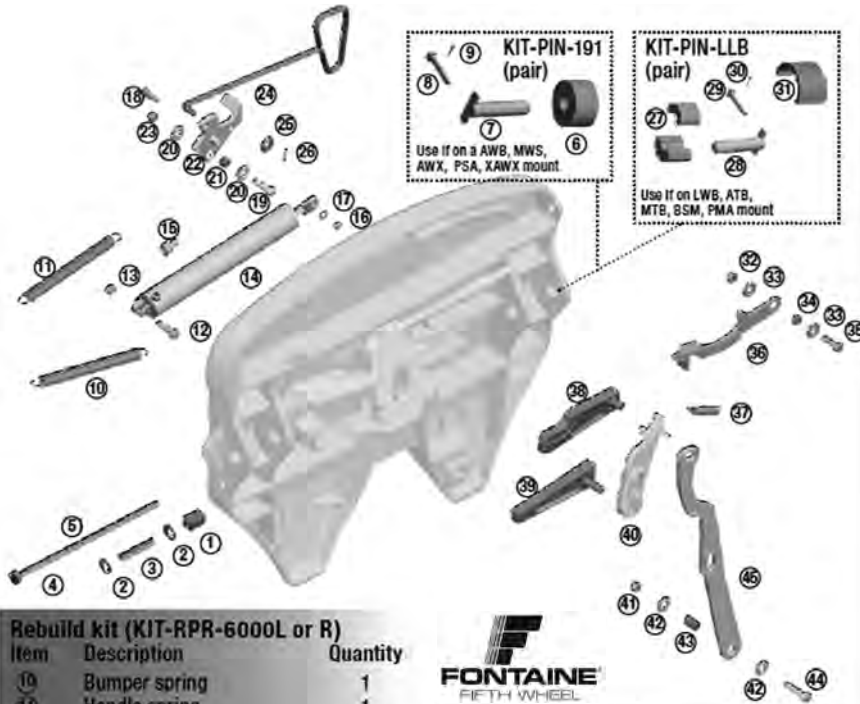
| Description                             | Part No.          |
|---|-------------------|
| Minor rebuild kit road side release.... | KIT-RPR-6000L     |
| Major rebuild kit road side release.... | KIT-RX-67NLT      |
| Wedge-stop rod.....                     | KIT-ROD-1108      |
| Bracket pin (one-piece bushing).....    | KIT-PIN-191       |
| Bracket pin (two piece bushing).....    | KIT-PIN-LLB       |
| Secondary lock.....                     | KIT-LAT-6000L     |
| Spring kit.....                         | KIT-SPRING        |
| Bumper kit.....                         | KIT-BPR-6000L     |
| Timer.....                              | KIT-TMR-6000L     |
| Operating handle.....                   | KIT-OPR-6000      |
| Pull handle.....                        | KIT-PUL-6000L     |
| Air actuated.....                       | KIT-AA-6000L      |
| Clean Connect plates.....               | CCR-PLATES-L or R |

#### No-Slack® NT fifth wheel kits

| Description                             | Part No.      |
|---|---------------|
| Minor rebuild kit road side release.... | KIT-RPR-6000L |
| Major rebuild kit road side release.... | KIT-RX-67NLT  |
| Wedge-stop rod.....                     | KIT-ROD-1108  |
| Bracket pin.....                        | KIT-PIN-UNT   |
| Secondary lock.....                     | KIT-LAT-6000L |
| Spring kit.....                         | KIT-SPRING    |
| Bumper kit.....                         | KIT-BPR-6000L |
| Timer.....                              | KIT-TMR-6000L |
| Operating handle.....                   | KIT-OPR-6000  |
| Pull handle.....                        | KIT-PUL-6000L |
| Air actuated.....                       | KIT-AA-6000L  |



**FONTAINE NO-SLACK® NT/6000/7000/7000CC SERIES TOP PLATE KITS**



**Rebuild kit (KIT-RPR-6000L or R)**

| Item       | Description             | Quantity |
|------------|-------------------------|----------|
| 10         | Bumper spring           | 1        |
| 11         | Handle spring           | 1        |
| 21         | Timer spring            | 1        |
| 23         | Step jaw                | 1        |
| 24         | Wedge                   | 1        |
| 21         | Bushing, 7/16"          | 1        |
| 23         | Bushing, 5/16"          | 1        |
| 43         | Bushing, 1 1/4"         | 1        |
| 23, 24, 41 | Hex lock nut, 1/2" - 13 | 3        |

**Wedge-stop rod kit (KIT-ROD-1108)**

|   |                        |   |
|---|------------------------|---|
| 1 | Wedge-stop rod nut     | 1 |
| 2 | Flat washer, 5/8" I.D. | 2 |
| 3 | Wedge-stop rod spring  | 1 |
| 4 | Wedge-stop rod         | 1 |
| 5 | Cotter pin, 3/16" x 1" | 1 |

**Bracket pin kit (KIT-PIN-191)**

|   |                      |  |   |
|---|----------------------|--|---|
| 6 | 1-piece bushing      | Use if mounted to AWS, MWS, AWX, PSA, XAWX | 2 |
| 7 | Bracket pin          |  | 2 |
| 8 | Bracket retainer pin |  | 2 |
| 9 | Cotter pin           |  | 2 |

**Bracket pin kit (KIT-PIN-LLB)**

|    |                      |   |         |
|----|----------------------|---|---------|
| 27 | 2-piece bushing      | Use if mounted to LWB, MTB, BSM, ATB, PMA | 2 Pairs |
| 28 | Bracket pin          |   | 2       |
| 29 | Bracket retainer pin |   | 2       |
| 30 | Cotter pin           |   | 2       |
| 31 | Bracket liner        |   | 2       |

**Secondary lock kit (KIT-LAT-6000L or R)**

|    |                          |   |
|----|--------------------------|---|
| 11 | Handle spring            | 1 |
| 19 | Hex head bolt, 1/2" - 13 | 1 |
| 20 | Flat washer, 1/2" I.D.   | 2 |
| 21 | Bushing, 7/16"           | 1 |
| 22 | Secondary lock           | 1 |
| 23 | Hex lock nut, 1/2" - 13  | 1 |
| 26 | Cotter pin, 3/16" x 1"   | 1 |

**Fontaine Fifth Wheel**

**Spring kit (KIT-SPRING)**

| Item | Description   | Quantity |
|------|---------------|----------|
| 10   | Bumper spring | 1        |
| 11   | Handle spring | 1        |
| 21   | Timer spring  | 1        |

**Bumper kit (KIT-BPR-6000L or R)**

|    |                          |   |
|----|--------------------------|---|
| 32 | Hex lock nut, 1/2" - 13  | 1 |
| 33 | Flat washer, 1/2" I.D.   | 2 |
| 34 | Bushing                  | 1 |
| 35 | Hex head bolt, 1/2" - 13 | 1 |
| 36 | Bumper                   | 1 |
| 10 | Bumper spring            | 1 |

**Timer kit (KIT-TMR-6000L or R)**

|    |                                |   |
|----|--------------------------------|---|
| 37 | Timer spring                   | 1 |
| 40 | Timer                          | 1 |
| 41 | Hex lock nut, 1/2" - 13        | 1 |
|    | Hair pin cotter (not pictured) | 1 |

**Operating handle kit (KIT-OPR-6000)**

|            |                                |   |
|------------|--------------------------------|---|
| 21         | Bushing, 7/16"                 | 1 |
| 23         | Bushing, 5/16"                 | 1 |
| 43         | Bushing, 1 1/4"                | 1 |
| 23, 24, 41 | Hex lock nut, 1/2" - 13        | 3 |
| 42         | Flat washer, 1/2" I.D.         | 2 |
| 44         | Hex head bolt, 1/2" - 13       | 1 |
| 45         | Operating handle               | 1 |
|            | Hair pin cotter (not pictured) | 1 |

**Pull handle kit (KIT-PUL-6000L or R)**

|    |                        |   |
|----|------------------------|---|
| 24 | Pull handle            | 1 |
| 25 | Flat washer, 1/2" I.D. | 1 |
| 26 | Cotter pin, 3/16" x 1" | 1 |

**Part No. KIT-RX-67NTL**

No-Slack® major rebuild kit for No-Slack® NT/6000/7000/7000CC and NT top plates. (left release only)

Seven kits combined in one to save you time and money.

Complete instructions for disassembly and reassembly – don't waste time wondering what to do. Parts are arranged in the sequence you need them– the part you need is within reach.



**Top plate rebuild kits**

No-Slack rebuild kits for 6000/7000/7000CC top plates  
KIT-RPR-6000L (left release)  
KIT-RPR-6000R (right release)



No-Slack rebuild kits for 5092/HS092/X5092 top plates  
KIT-RPR-5092R (right release)  
KIT-RPR-5092L (left release)



**Part No. SLTPL7000L**

Cast top plate, left hand pull, No-Slack series.

Replaces TPL-6000L

Replaces TPL-5092L

**Part No. BSH-150**

Bracket Bushing (1 pair)

**Part No. SPR-128**

Bumper Spring (#10)

**Part No. CD-SPR-236**

Timer Spring (#37)

**Part No. SLTPLUNT** •Top Plate, left hand pull, with pins.

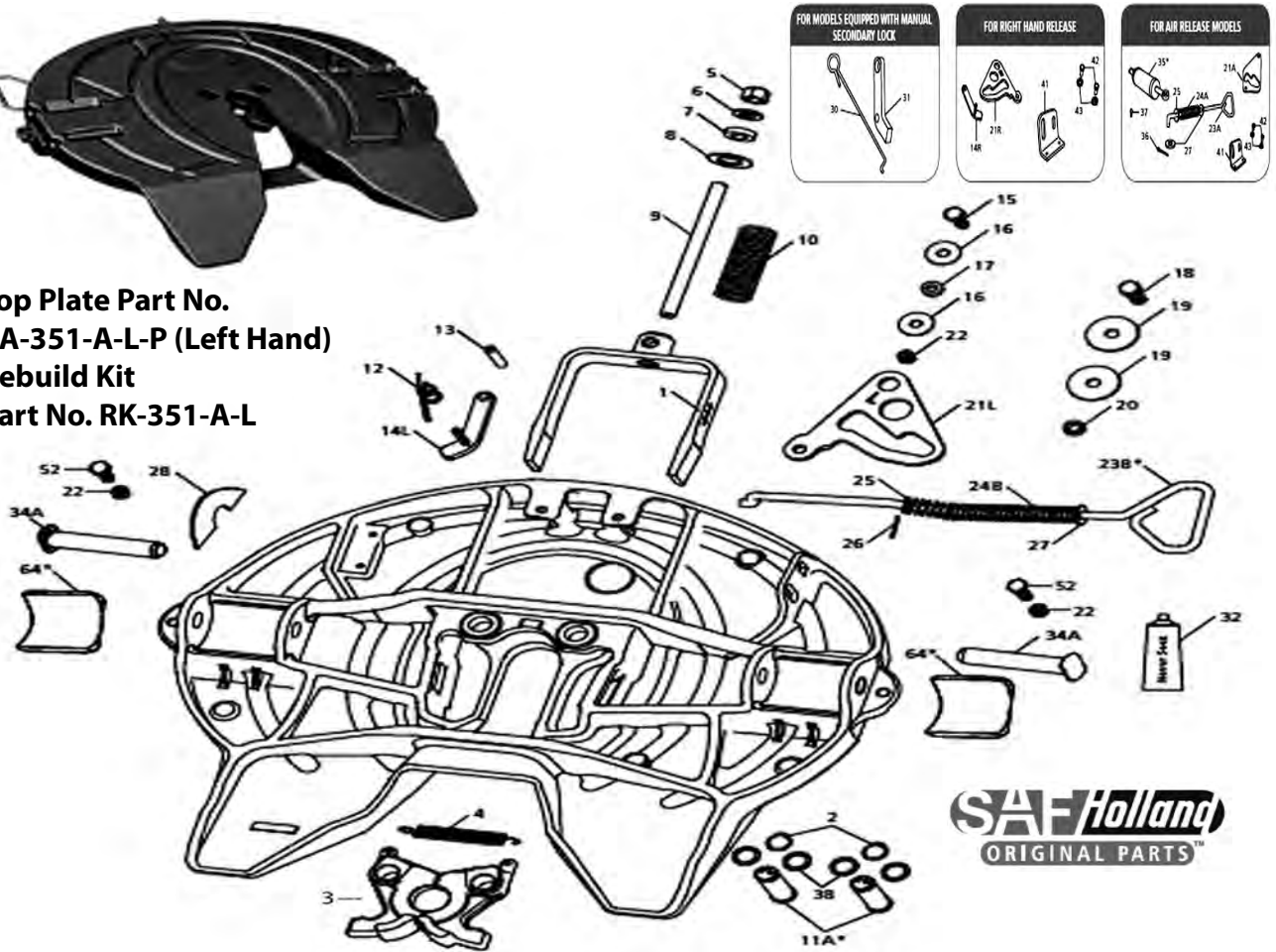
Ask us about the new No-Slack® NT. Designed for 100% on-highway standard duty applications. Save Weight! Many new options.



# SAF-HOLLAND FIFTH WHEEL PARTS - FW35 (XA-351 PARTS)



**Top Plate Part No.  
XA-351-A-L-P (Left Hand)  
Rebuild Kit  
Part No. RK-351-A-L**



### FW35 PARTS LIST

| #                                   | DESCRIPTION                             | PART NUMBER      | QTY. |
|-------------------------------------|---|------------------|------|
| 1                                   | Yoke                                    | XA-07295         | 1    |
| 2                                   | Retaining Ring, 1" Dia.                 | XB-07398         | 2    |
| 3*                                  | Lock Jaw Set,                           | XA-07296         | 1    |
| See RK-351-07296 or RK-351-07296-82 |   |                  |      |
| 4                                   | Spring, Extension                       | XB-07628         | 1    |
| 5                                   | Lock Nut, .75"-16 GR C                  | XB-HNH-34-F      | 1    |
| 6                                   | Washer, .81" I.D. x 1.47" O.D.          | XB-PW-1316-112   | 1    |
| 7                                   | Washer, Rubber, .75" I.D. x 1.50" O.D.  | XB-1127          | 1    |
| 8                                   | Tag, Lock Adjustment                    | XB-02312         | 1    |
| 9                                   | Shaft, Yoke                             | XA-1706          | 1    |
| 10                                  | Spring, Compression                     | XB-1505          | 1    |
| 11A*                                | Pin, Lock, See RK-07292-1               | XA-07292-1       | 2    |
| 12                                  | Spring, Torsion                         | XB-2149          | 1    |
| 13                                  | Pin, Spring, .50" Dia. x 2.75" Long     | XB-21-S-500-2750 | 1    |
| 14L                                 | Lock, Secondary, Left-Hand and Air      | XA-3542-L        | 1    |
| 14R                                 | Lock, Secondary, Right-Hand             | XA-3542-R        | 1    |
| 15                                  | HHCS, .50"-20 x 1.75" GR 5              | XB-2083          | 1    |
| 16                                  | Washer, .56" I.D. x 1.75" O.D.          | XB-08559         | 2    |
| 17                                  | Roller, .52" I.D. x 1" O.D. x .38" Long | XA-1029          | 1    |
| 18                                  | HHCS, .63"-18 x 1.75" GR 8              | XB-CX-58-F-134   | 1    |
| 19                                  | Washer, .66" I.D. x 2.63" O.D.          | XB-07431         | 2    |
| 20                                  | Roller, .66" I.D. x 1" O.D. x .38" Long | XA-1507          | 1    |
| 21A                                 | Cam Plate, Air Release                  | XA-1705          | 1    |
| 21L                                 | Cam Plate, Left-Hand                    | XA-07150-L       | 1    |
| 21R                                 | Cam Plate, Right-Hand                   | XA-07150-R       | 1    |
| 22                                  | Lock Nut, .50"-20 GR C                  | XB-T-69-A        | 3    |

### FW35 PARTS LIST

| #                                 | DESCRIPTION   | PART NUMBER      | QTY. |
|-----------------------------------|---|------------------|------|
| 23A*                              | Release Handle, Air Release,  | XA-07766-1       | 1    |
| See RK-07766-1                    |   |                  |      |
| 23B*                              | Release Handle, Left- and Right-Hand,                                     |                  |      |
| See RK-07151-1 XA-07151-1 1       |   |                  |      |
| 24A                               | Spring, Air Release   | XB-07974         | 1    |
| 24B                               | Spring, Manual Release  | XB-07291         | 1    |
| 25                                | Washer, .53" I.D. x 1.06" O.D.  | XB-PW-1732-1-116 | 1    |
| 26                                | Pin, Cotter, .13" Dia. x 1.25" Long                                       | XB-07508         | 1    |
| 27                                | Washer, .56" I.D. x 1.38" O.D. Man  | XB-T-49          | 1    |
| 27                                | Washer, .56" I.D. x 1.38" O.D. Air  | XB-T-49          | 2    |
| 28                                | Tag, Operation (Service Part Only)  | XB-07610         | 1    |
| 29                                | Fittings, Grease  | XB-H-38          | 2    |
| 30                                | Release Handle, Manual Sec. Lock  | XA-3542-M        | 1    |
| 31                                | Lock, Manual Secondary  | XA-3528          | 1    |
| 32                                | Never-Seez, 7.5g Tube   | XB-02967         | 1    |
| 34A                               | Pin, Bracket  | XE-06356-P       | 2    |
| 35*                               | Cylinder Assembly, Air,   |                  |      |
| See RK-2524-R-16-L XA-2524-R-16-L |   |                  |      |
| 36                                | Pin, Cotter, .19" Dia. x 1.25" Long                                       | XB-06336         | 1    |
| 37                                | Screw, Drive, #12 x .75" Long   | XB-09155         | 1    |
| 38                                | Washer, 1.19" I.D. x 1.58" O.D.   | XB-05859-1       | 4    |
| 41                                | Handle Bracket, Air Release and Right-Hand Release, for H-Version Casting | XA-11211         | 1    |
| 42                                | HHCS, .38"-16 x 1" GR 5   | XB-C-38-C-1      | 2    |
| 43                                | Washer, Lock, .38" I.D. x .68" O.D.                                       | XB-T-61          | 2    |
| 52                                | HHCS, .50"-20 x 1.25" GR 5  | XB-C-95          | 2    |

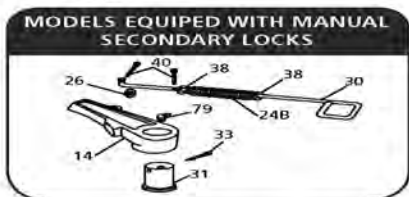
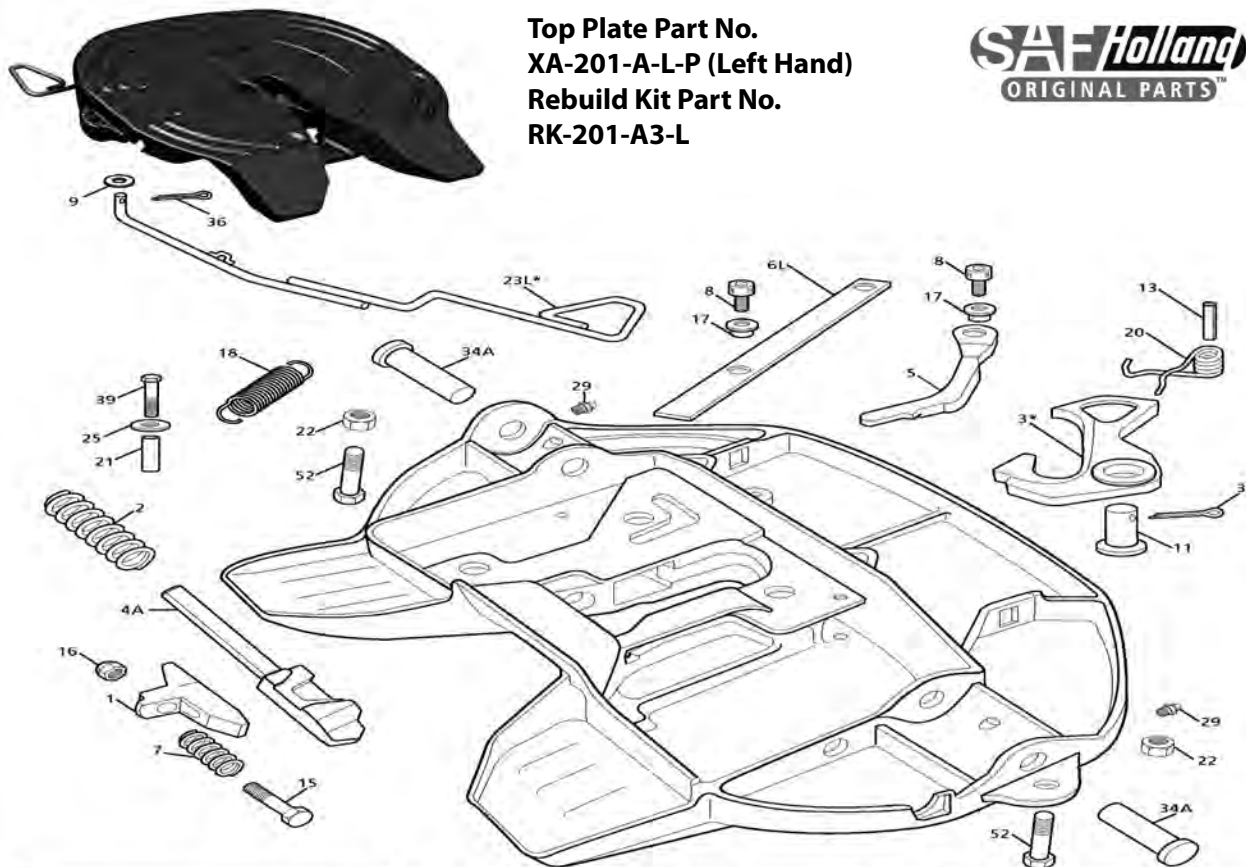




**SAF-HOLLAND FIFTH WHEEL PARTS - FW8 (XA-201) PARTS**



**Top Plate Part No.  
XA-201-A-L-P (Left Hand)  
Rebuild Kit Part No.  
RK-201-A3-L**



**XA-201 PARTS LIST**

| #   | Description                             | Part No.         | Qty. |
|-----|---|------------------|------|
| 1   | Wedge, Adjusting                        | XD-06328         | 1    |
| 2   | Spring, Plunger                         | XB-06330         | 1    |
| 3*  | Lock, Hinged                            | XA-09416         | 1    |
| 4A  | Plunger, Locking, After 9/1/99          | XE-10474         | 1    |
| 5   | Cam Arm                                 | XE-09415         | 1    |
| 6A  | Release Arm, Air                        | XA-10149         | 1    |
| 6L  | Release Arm, Left-Hand                  | XA-09514         | 1    |
| 6R  | Release Arm, Right-Hand                 | XA-09580         | 1    |
| 7   | Spring, Compression                     | XB-09495         | 1    |
| 8   | SHCS, .50"-13 x .75" Long               | XB-08558         | 2    |
| 9   | Washer, .66" I.D. x 1.31" O.D.          | XB-T-199         | 1    |
| 10L | Spring, Extension, Left-Hand and Air    | XB-09408         | 1    |
| 10R | Spring, Extension, Right-Hand, Inner    | XB-09629         | 1    |
| 11  | Pin, Lock                               | XA-06344         | 1    |
| 12  | Spring, Extension, Right-Hand, Outer    | XB-09581         | 1    |
| 13  | Pin, Spring, .50" Dia. x 2.75" Long     | XB-21-S-500-2750 | 1    |
| 14  | Lock, Manual Secondary                  | XA-06349         | 1    |
| 15  | HHCS, .63"-11 x 4.25" GR 8              | XB-06329-1       | 1    |
| 16  | Lock Nut, .63"-11                       | XB-06179-2       | 1    |
| 17  | Roller, .51" I.D. x 1" O.D. x .69" Long | XA-08162         | 2    |
| 18  | Spring, Extension, Left-Hand            | XB-09517-1       | 1    |
| 19  | Block Stop, Wedge                       | XA-09590         | 1    |
| 20  | Spring, Lock Return                     | XB-08764         | 1    |
| 21  | Spacer                                  | XA-09558         | 1    |
| 22  | Lock Nut, .50"-20 GR C                  | XB-T-69-A        | 2    |

**XA-201 PARTS LIST**

| #    | Description                            | Part No.      | Qty. |
|------|--|---------------|------|
| 23A* | Release Handle, Air Release            | XA-10161      | 1    |
| 23L* | Release Handle, LH, See RK-09557       | XA-09484      | 1    |
| 23R* | Release Handle, RH, See RK-09556       | XA-09632      | 1    |
| 24B  | Spring, Manual Release                 | XB-1028-1     | 1    |
| 25   | Washer, .44" I.D. x 1.03" O.D., LH     | XB-1108       | 1    |
|      | Washer, .44" I.D. x 1.03" O.D., Air    | XB-1108       | 5    |
| 26   | Washer, .41" I.D. x .81" O.D., Clipped | XB-PWC-38-78  | 1    |
| 27   | Washer, .56" I.D. x 1.38" O.D.         | XB-T-49       | 4    |
| 28   | HHCS, .38"-16 x 1.75" GR 5             | XB-V-444-3    | 2    |
| 29   | Grease Zerk                            | XB-H-38       | 2    |
| 30   | Release Handle, Lock, Manual Sec.      | XA-06345      | 1    |
| 31   | Pin, Lock, Manual Sec.                 | XA-1016-C     | 1    |
| 33   | Pin, Cotter, .25" x 2" Long            | XB-5          | 1    |
| 34A  | Pin, Bracket                           | XE-06356-P    | 2    |
| 35   | Air Cylinder                           | XA-2524-17    | 1    |
| 36   | Pin, Cotter, .19" x 1.25" Long         | XB-06336      | 1    |
| 37   | Bracket, Air Cylinder                  | XA-10164      | 1    |
| 38   | Washer, .50" I.D. x 1.28" O.D., Manual | XB-1204       | 4    |
| 39   | HHCS, .38"-16 x 2.25" GR 5             | XB-C-38-C-214 | 1    |
| 40   | Pin, Cotter, .13" Dia. x 1" Long       | XB-06377      | 2    |
| 42   | HHCS, .25"-28 x .50" GR 5              | XB-01611      | 2    |
| 52   | HHCS, .50"-20 x 1.25" GR 5             | XB-C-95       | 2    |
| 69   | Lock Nut, .38"-16 GR B                 | XB-338        | 2    |
| 79   | Fittings, Grease, 45°                  | XB-767-C      | 1    |



# SAF-HOLLAND FIFTH WHEEL PARTS - XA-351-03505 PARTS

## AIR CYLINDER TABLE

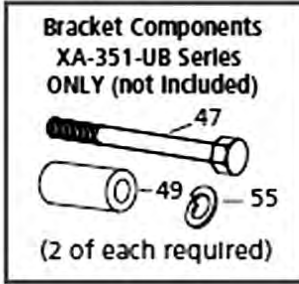
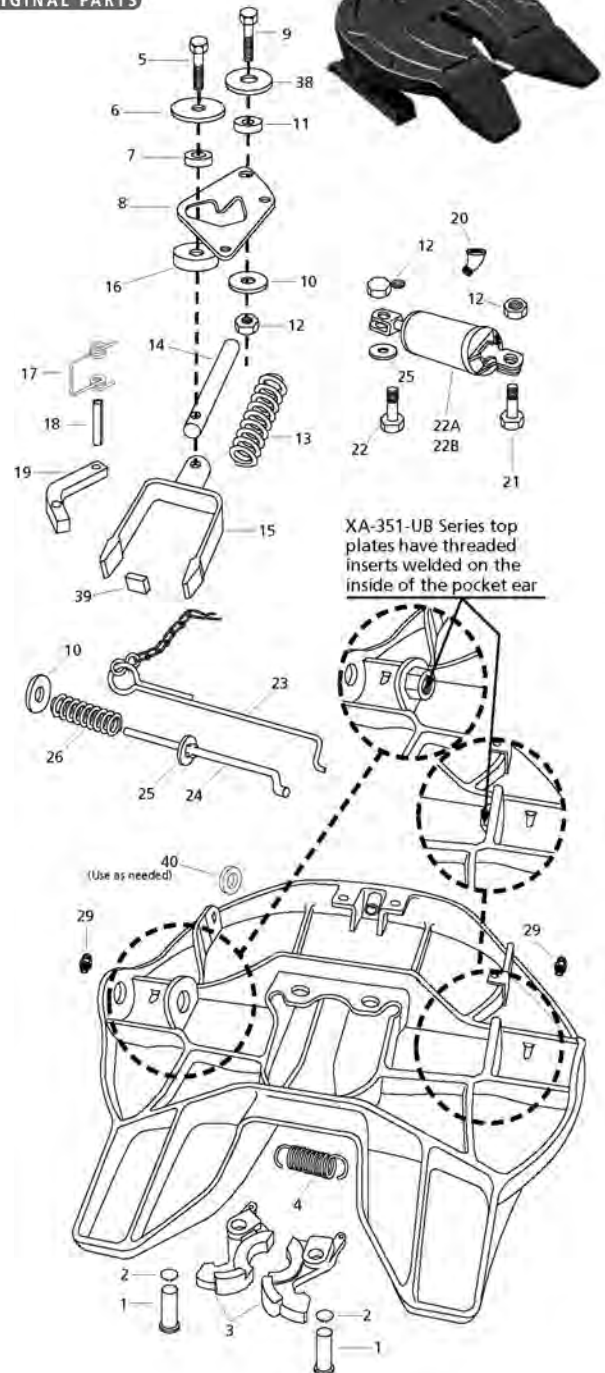
### Top Plate Assembly

|                      |  |
|----------------------|--|
| XA-351-03505 .....   |  |
| XA-351-03505-2 ..... |  |
| XA-351-03505-3 ..... |  |
| XA-351-03505-4 ..... |  |
| XA-351-UB.....       |  |

### Air Cylinder Parts

|                        |
|------------------------|
| Items 48 and 35A       |
| Items 48 and 35A       |
| Item 35B, omit item 48 |
| Items 48 and 35B       |
| Items 48 and 35A       |

## Top Plate Part No. XA-351-03505S



## XA-351-03505 and XA-351-UB PARTS LIST

| #       | Part No.         | Qty. | Description                                 |
|---------|------------------|------|---|
| •1      | XA-07292-1       | 2    | Lock pin                                    |
| •2      | XB-07398         | 2    | Retaining ring                              |
| •3      | XA-08332-1       | 1    | Lock jaw set                                |
| •4      | XB-07628         | 1    | Extension spring                            |
| > 5     | XB-10035         | 1    | Hex head cap screw 5/8"-18 x 2"             |
| > 6     | XB-07431         | 1    | Washer 5/8" I.D. x 25/8" O.D. x 3/4" thick  |
| > 7     | XA-1507-1        | 1    | Roller 5/8" I.D.                            |
| > 8     | XA-08988         | 1    | Cam plate                                   |
| 9       | XB-2083          | 1    | Hex head cap screw 1/2"-20 x 13/4"          |
| > 10    | XB-08559         | 2    | Washer 1/2" I.D. x 13/4" O.D.               |
| 11      | XA-1029          | 1    | Roller 1/2" ID                              |
| > 12    | XB-T-69-A        | 3    | Locknut 1/2"-20 (2 add'l req. for brackets) |
| 13      | XB-1505          | 1    | Yoke spring                                 |
| > 14    | XA-1706-1        | 1    | Yoke shaft                                  |
| 15      | XA-07295         | 1    | Yoke  |
| > 16    | XA-09040         | 1    | Cam spacer                                  |
| 17      | XB-2149          | 1    | Torsion spring                              |
| 18      | XB-21-S-500-2750 | 1    | Roll pin 1/2" x 23/4"                       |
| 19      | XA-3528          | 1    | Secondary lock                              |
| 20      | XB-698           | 1    | 45° street elbow                            |
| > 21    | XB-T-89-5        | 2    | HHCS 1/2"-20 x 13/4" LG.                    |
| 22A*    | XA-2524-R-13-1   | 1    | Air cylinder                                |
| 22B*    | XA-2524-R-13-4   | 1    | Air cylinder                                |
| 23      | XA-3546          | 1    | Secondary lock handle                       |
| > 24    | XA-09041         | 1    | Release handle                              |
| > 25    | XB-PW-1732-1-116 | 2    | Washer 1/2" I.D. x 1" O.D.                  |
| > 26    | XB-07291         | 1    | Compression spring                          |
| 27**    | XA-03423         | 2    | Bracket bearing                             |
| 28**    | XA-0268          | 4    | Bearing stop block                          |
| 29      | XB-H-38          | 2    | Grease fitting                              |
| 30***   | XA-2016          | 2    | Bracket pin                                 |
| > 31*** | XB-21-S-375-1750 | 2    | Roll pin 3/8" x 13/4"                       |
| 32***   | XB-0011          | 2    | Rubber bushing                              |
| 33***   | TF-0110          | 1    | Kingpin gage                                |
| 34***   | TF-TLN-5001      | 1    | Kingpin lock tester                         |
| 35***   | XB-BR-118-C-7    | 2    | HHCS 1 1/8"-7 x 7"                          |
| 36***   | XB-E-536         | 2    | Washer, lock 1 1/8"                         |
| 37***   | XB-1604-5        | 2    | Rubber Bushing                              |
| > 38    | XB-1030          | 1    | Washer 1/2" I.D. x 21/4" O.D.               |
| > 39    | XA-09043         | 1    | Yoke stop                                   |
| > 40    | XA-09039         | 1    | Handle guide                                |
| > 41    | XB-02967         | 1    | Never-Seez (not shown)                      |

ALL PARTS LISTED ARE INCLUDED IN RK-351-03505 AND RK-351-UB, EXCEPT ITEMS 39 AND 40 AND AS LISTED BELOW:

- Parts included in RK-351-08332-1
- > Parts included in RK-09063
- \* SEE air cylinder table for proper air cylinder.
- \*\* Included in RK-351-03505 only.
- \*\*\* Not included in repair kits, except where noted.



## HOLLAND-SIMPLEX FIFTH WHEEL TOP PLATES

### SIMPLEX SERIES® TOP PLATES



**Part No. 10402720**  
**Holland Simplex SE Top Plate**

**Specifications:**

|                               |              |
|-------------------------------|--------------|
| <b>Vertical Load Capacity</b> | 55,000 lbs.  |
| <b>Trailing Load</b>          | 150,000 lbs. |
| <b>Top Plate Weight</b>       | 220 lbs.     |

Operation:

**Slack Adjustment**

Up to 11/32" before jaw replacement.

**Operating Rod**

Minimal effort, straight pull design. Air-Operated Release. Available with TouchLoc air-operated release system.

**Safety Latch**

Provides the driver with a clear visual indication that the wheel is properly coupled.

**Service Life**

Exceeds life of tractor.

**Maintenance:**

**Service Required**

No lubrication required at pivot connection. Routine: grease and visually check top plate, adjust slack as required.

**Jaw Replacement**

Fifteen minutes to rebuild, while the top plate remains on tractor.

**Handle Replacement**

Five minutes to replace, while fifth wheel remains on tractor.

**Disassembly**

Pull one clinch pin to remove and replace eccentric adjustment pin and jaw.

**Warranty**

5-years or 500,000 miles

**Part No. 4102720**  
**Holland Simplex II SE Top Plate**

**Specifications:**

|                               |              |
|-------------------------------|--------------|
| <b>Vertical load capacity</b> | 70,000 lbs.  |
| <b>Trailing load</b>          | 200,000 lbs. |
| <b>Top plate weight</b>       | 260 lbs.     |

Operation:

**Slack Adjustment**

Up to 11/32" before jaw replacement.

**Operating Rod**

Minimal effort, straight pull design. Air-Operated Release. Available with TouchLoc air-operated release system.

**Safety latch**

Visual indication of a positive coupling, also serves as a secondary lock.

**Service life**

Exceeds life of tractor.

**Maintenance:**

**Service Required**

No lubrication required at pivot connection. Routine: grease and visually check top plate, adjust slack as required.

**Jaw Replacement**

Fifteen minutes to rebuild, while the top plate remains on tractor.

**Handle Replacement**

Five minutes to replace, while fifth wheel remains on tractor.

**Disassembly**

Pull one clinch pin to remove and replace eccentric adjustment pin and jaw.

**Warranty**

5-years or 500,000 miles



## HOLLAND-SIMPLEX SE & SIMPLEX II SE FIFTH WHEEL PARTS

### SIMPLEX SE PARTS BREAKDOWN

| #    | Description:  | Part No.                 | Qty |
|------|---|--------------------------|-----|
| 1*   | Pin, Eccentric Jaw  | 4109922-P                | 1   |
| 3A*  | Lock Jaw,   | See 4000644 XA-4109939 1 |     |
| 3B*  | Lock,   | See 4000647 4109931      | 1   |
| 4    | Spring, Jaw Return  | 1200101                  | 1   |
| 9    | Washer, .66" I.D. x 1.31" O.D.                                | XB-T-199                 | 1   |
| 10   | Spring, Lock  | 1200706                  | 1   |
| 13   | Pin, Spring, .19" Dia. x 1.15" Long                           | 9900181                  | 1   |
| 14   | Pin, Cotter, .19" Dia. x 1.25" Long                           | 9900170                  | 1   |
| 18   | HHSB, .50"-13 x 1.88" GR 5                                    | XB-11127                 | 1   |
| 19   | Plate, Cover  | XA-10969                 | 1   |
| 21L  | Lever Bar, Left-Hand  | 4100373                  | 1   |
| 22   | Lock Nut, .50"-20 GR C, Cam Plates, Bracket Pins, Air Release | XB-T-69-A                | 2   |
| 23L* | Release Handle, Left-Hand with Automatic Indicator,           | See 4000531 4100420      | 1   |
| 23O* | Release Handle, Left-Hand with Manual Indicator,              | See 4000507 4100382      | 1   |
| 24   | Washer, .41" I.D. x .81" O.D., Hardened                       | 9900174                  | 2   |
| 28   | HHCS, .38"-16 x .75" GR 5                                     | 9900182                  | 2   |
| 29   | Fittings, Grease  | 84787                    | 4   |
| 34A  | Pin, Bracket  | 5400705                  | 2   |
| 35*  | Cylinder Assembly, Air,                                       | See 4000273 XA-11660     | 1   |
| 36   | Pin, Cotter, .38" Dia. x 1.50" Long                           | 9900169                  | 2   |
| 40A  | Lock Indicator, Automatic Touchloc                            | 4100294                  | 1   |
| 40M  | Lock Indicator, Manual  | 4101250                  | 1   |
| 42   | Pin, Indicator  | 5400711                  | 1   |
| 43   | Pin, Cotter, .13" Dia. x 1.25" Long                           | 84261                    | 1   |
| 52   | HHCS, .50"-20 x 1.25" GR 5                                    | XB-C-95                  | 2   |
| 63   | Shoe, Bracket   | 4100328                  | 2   |
| 64A* | Insert, .33" Bracket,   | See 4000640 4100339      | 2   |
| 64B* | Insert, .38" Bracket,   | See 4000528 4100329      | 2   |
| 64C* | Insert, .42" Bracket,   | See 4000587 4100376      | 2   |

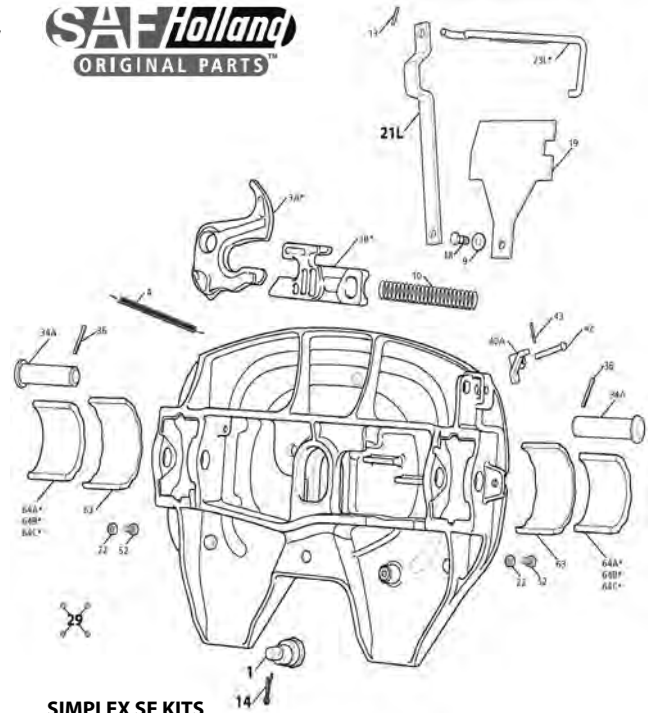
\*Not Sold Individually, must be purchased in Kit.

### SIMPLEX II SE PARTS BREAKDOWN

| #  | Description:                | Part No.   |
|----|-----------------------------|------------|
| 1  | Jaw (LH)                    | XA-4109939 |
|    | Jaw (RH)                    | 4109940    |
| 2  | Lock (LH)                   | 4109931    |
|    | Lock (RH)                   | 4109809    |
| 3  | Jaw Return Spring           | 1200101    |
| 4  | Lock Spring                 | 1200706    |
| 5  | Lever Bar                   | 4100373    |
| 6  | Handle (LH / Air Release)   | 4100420    |
|    | Handle (RH)                 | 4100448    |
| 7  | Cover Plate                 | XA-10969   |
| 8  | Roll Pin                    | 9900181    |
| 9  | Grease Fitting              | 84787      |
| 10 | Hex Head Shoulder Bolt      | XB-11127   |
| 11 | Washer 5/8"                 | XB-T-199   |
| 12 | Lock Indicator              | 4100294    |
|    | Lock Indicator (RH)         | 4300312    |
| 13 | Cotter Pin 1/8" x 1-1/4"    | 84261      |
| 14 | Indicator Pin               | 5400711    |
| 15 | Eccentric Jaw Pin           | 4109922-P  |
| 16 | Clinch Pin 3/16" x 1-1/4"   | 9900170    |
| 17 | .33" Bracket Insert (Qty 2) | 4000640    |
|    | .38" Bracket Insert (Qty 2) | 4000528    |
|    | .42" Bracket Insert (Qty 2) | 4000587    |
| 18 | Bracket Shoe                | 4100328    |
| 19 | Bracket Pin                 | 5400705    |
| 20 | HHCS 1/2" - 20 x 1-1/4"     | XB-C-95    |
| 21 | Locknut 1/2" - 20           | XB-T-69-A  |
| 22 | Air Cylinder                | 4100423    |
| 23 | HHCS 3/8" - 16 x 3/4"       | 9900182    |

\*Discontinued Model. Parts for Reference.

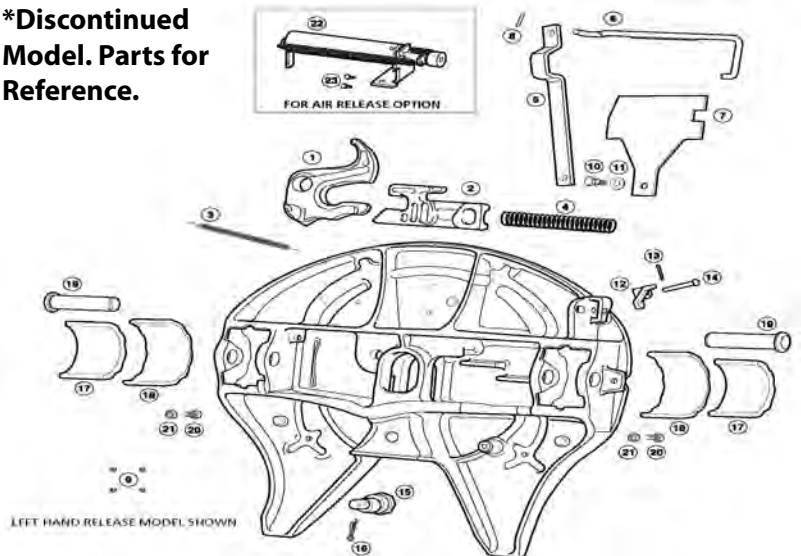
**SAE Holland**  
ORIGINAL PARTS™



### SIMPLEX SE KITS

| Part No.       | Description:                       | Includes #'s.                 |
|----------------|------------------------------------|-------------------------------|
| <b>4000647</b> | Standard Lock                      | 3B, 5, 9, 10, 18, 19, 21L, 43 |
| <b>4000644</b> | Standard Lock                      | 1, 3A, 4, 14                  |
| <b>4000531</b> | Release handle, LH, Auto Indicator | 13, 23L, 40A, 42, 43          |
| <b>4000507</b> | Release handle, LH, Man. Indicator | 13, 23O, 40M, 42, 43          |
| <b>4000273</b> | Air Cylinder for TouchLoc          | 24, 28, 35                    |
| <b>4000641</b> | Bracket Connection .33 Pads        | 34A, 36, 63, 64A              |
| <b>4000504</b> | Bracket Connection .38 Pads        | 34A, 36, 63, 64B              |
| <b>4000588</b> | Bracket Connection .42 Pads        | 34A, 36, 63, 64C              |

\*Discontinued Model. Parts for Reference.



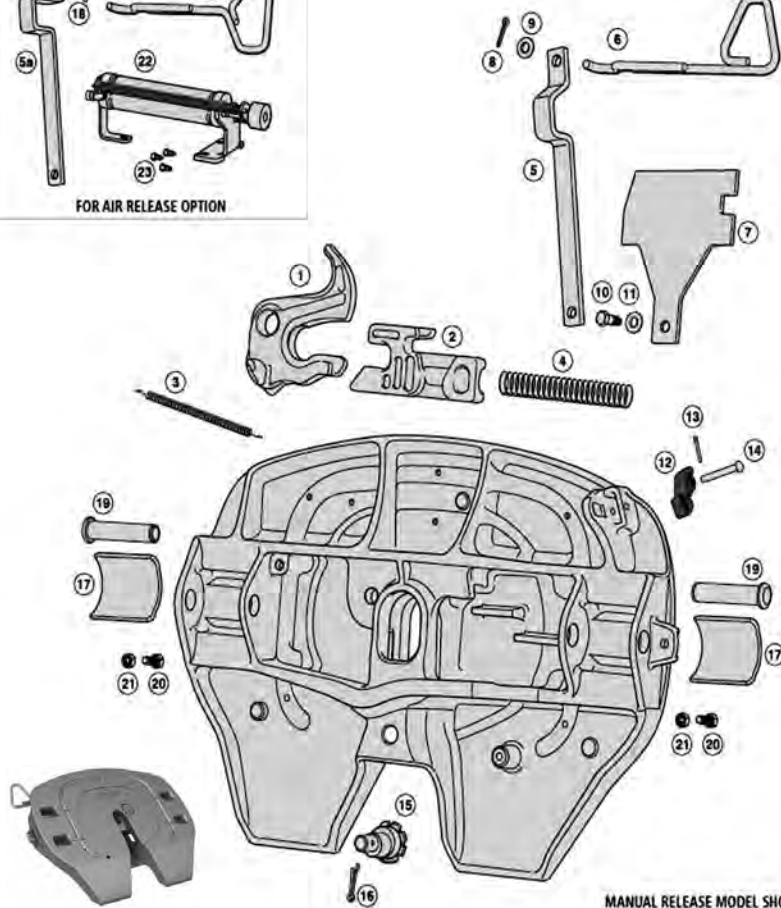
### SIMPLEX II SE KITS

| Part No.       | Description:                       | Includes #'s.      |
|----------------|------------------------------------|--------------------|
| <b>4000647</b> | Standard Lock                      | 2, 4, 5, 7, 10, 11 |
| <b>4000644</b> | Standard Lock                      | 1, 3, 15, 16       |
| <b>4000531</b> | Release handle, LH, Auto Indicator | 6, 8, 12, 13, 14   |
| <b>4000641</b> | Bracket Connection .33 Pads        | 17, 18, 19         |
| <b>4000504</b> | Bracket Connection .38 Pads        | 17, 18, 19         |
| <b>4000588</b> | Bracket Connection .42 Pads        | 17, 18, 19         |

**SAE Holland**  
ORIGINAL PARTS™



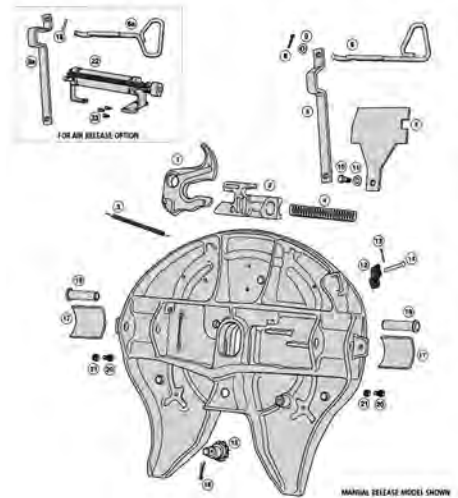
## SAF-HOLLAND FWS1 AND FWS2 FIFTH WHEEL PARTS



**SAF-Holland**  
ORIGINAL PARTS™

**Top Plate Part No.  
XA-S1-A-L-P**

**The FWS2 has ALL of the  
SAME exact components,  
with the top plate being the  
only difference in style.**



| #  | Description               | Part No.   |
|----|---------------------------|------------|
| 1  | Jaw                       | XA-4109939 |
| 2  | Lock                      | 4109931    |
| 3  | Jaw Return Spring         | 1200101    |
| 4  | Lock Spring               | 1200706    |
| 5  | Lever Bar (Manual Pull)   | 4100373    |
| 5a | Lever Bar (Air Release)   | XA-11113   |
| 6  | Handle (Manual Pull)      | XA-10990   |
| 6a | Handle (Air Release)      | XA-11112   |
| 7  | Cover Plate               | XA-10969   |
| 8  | Cotter Pin 3/16" x 1-1/4" | XB-11091   |
| 9  | Washer 1/2"               | XB-T-49    |
| 10 | Hex Head Shoulder Bolt    | XB-11127   |
| 11 | Washer 5/8"               | XB-T-199   |
| 12 | Lock Indicator            | XD-11121   |
| 13 | Cotter Pin 1/8" x 1-1/4"  | 84261      |
| 14 | Indicator Pin             | XB-10996   |
| 15 | Eccentric Jaw Pin         | XA-10971   |
| 16 | Clinch Pin 3/16" x 1-1/4" | 9900170    |
| 17 | Pocket Insert (Qty 2)     | RK-PKT-2   |
| 18 | Roll Pin 3/16" x 1.15"    | 9900181    |
| 19 | Bracket Pin               | XE-06356   |
| 20 | HHCS 1/2" - 20 x 1-1/4"   | XB-C-95    |
| 21 | Locknut 1/2" - 20         | XB-T-69-A  |
| 22 | Air Cylinder              | XA-10999   |
| 23 | HHCS 3/8" - 16 x 1/2"     | XB-11027   |

### Rebuild Kits Available:

#### Part No.      Description:

**RK-FWS-A-L      Complete Rebuild Kit**  
(Contains all items required to rebuild  
entire manual release FWS1)

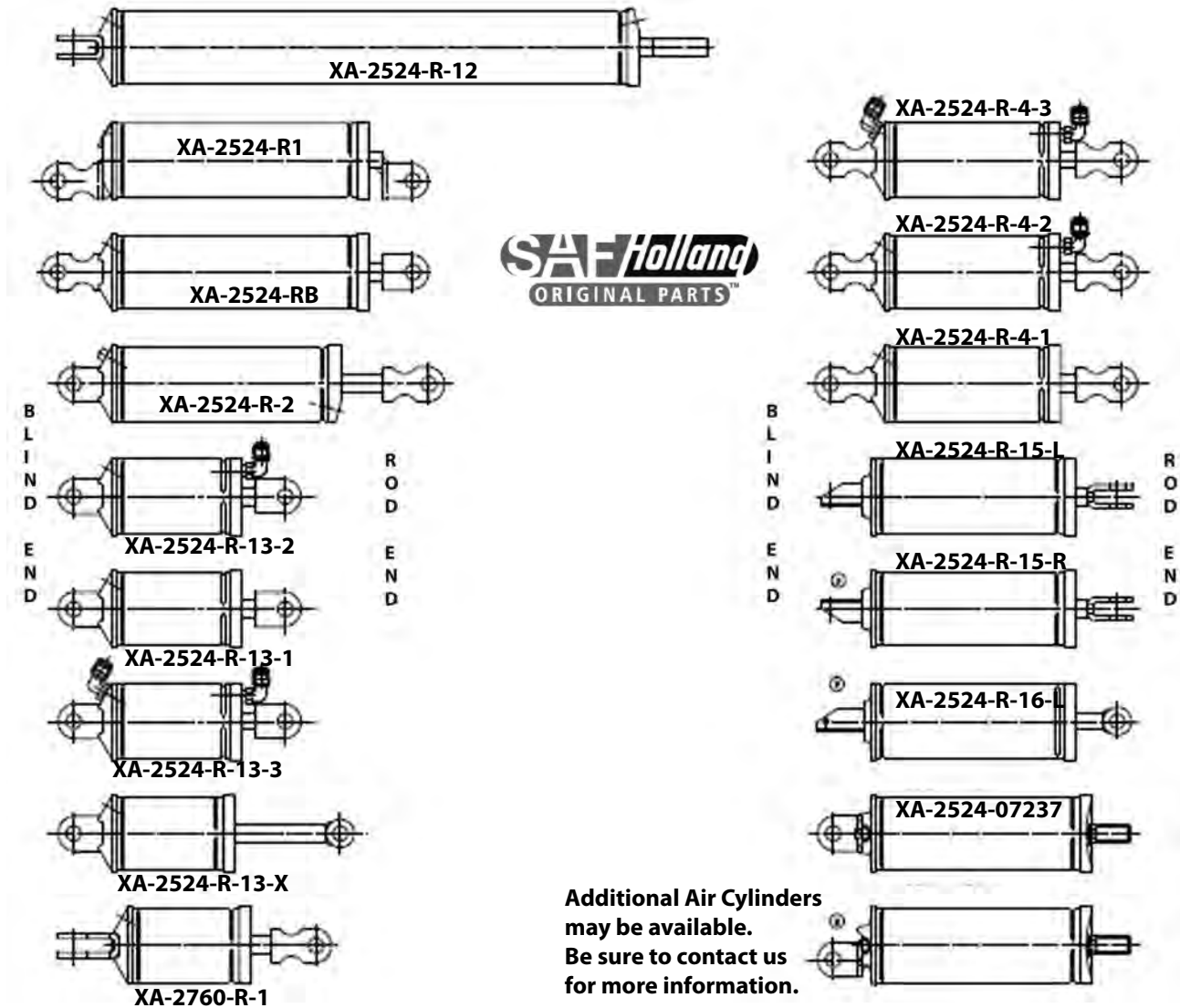
**RK-10990      Release Handle Kit**  
(Includes #'s 6,8,9,12,13,14)

**RK-4109939      Jaw Kit**  
(Includes #'s 1,3,15,16)

**RK-10999      Air Cylinder Replacement Kit**  
(Includes #'s 5a,6a,18,22,23)



**SAF-HOLLAND FIFTH WHEEL AIR CYLINDERS**



**Additional Air Cylinders  
may be available.  
Be sure to contact us  
for more information.**

| PART NUMBER     | HOLE-TO-HOLE DIMENSION |                   | STROKE |           | USED ON                     |
|-----------------|------------------------|-------------------|--------|-----------|-----------------------------|
|                 | EXTENDED -             | RETRACTED         | REF    | AIR INLET |                             |
| XA-2524-R-13-2  | 9.649" / 9.464"        | 7.613" / 7.473"   | 2.02"  | Blind End | FW1500, FW3500, (1 fitting) |
| XA-2524-R-13-3  | 9.649" / 9.464"        | 7.613" / 7.473"   | 2.02"  | Blind End | FW1500, FW3500, (2 fitting) |
| XA-2524-R-12    | 38.742" / 38.556"      | 22.680" / 22.496" | 16.06" | Both Ends | TF-675                      |
| XA-2524-RB      | 19.650" / 19.171"      | 12.750" / 12.506" | 6.77"  | Blind End | Sliding 5th Wheels          |
| XA-2524-R-2     | 18.560" / 18.171"      | 12.750" / 12.506" | 5.74"  | Rod End   | FW0070, FW0100, & FW2080    |
| XA-2524-R-4-3   | 14.108" / 13.863"      | 10.452" / 10.252" | 3.64"  | Blind End | XA-2801-03185-4             |
| XA-2524-R-4-2   | 14.108" / 13.863"      | 10.452" / 10.252" | 3.64"  | Blind End | XA-2801-03185-3             |
| XA-2524-R-4-1   | 14.108" / 13.863"      | 10.452" / 10.252" | 3.64"  | Blind End | FW1560 Series               |
| XA-2524-R-13-X  | 11.690" / 11.280"      | 9.570" / 9.385"   | 1.99"  | Blind End | FW2800 Series, FW2900       |
| XA-2760-R-1     | 10.840" / 10.361"      | 8.720" / 8.476"   | 1.99"  | Blind End | FW1580                      |
| XA-2524-R-13-1  | 9.649" / 9.464"        | 7.613" / 7.473"   | 2.02"  | Blind End | FW1500, FW3500,(no fitting) |
| XA-2524-R-16-L  | 13.95" REF             | 9.05" REF         | 4.89"  | Blind End | OPT. CODE 80                |
| XA-2524-R-15-R  | 13.95" REF             | 9.05" REF         | 4.89"  | Blind End | XA-3501-06533               |
| XA-2524-R-15-L  | 13.95" REF             | 9.05" REF         | 4.89"  | Blind End | XA-3501-06533               |
| XA-2524-07237-1 | 15.782" / 15.598"      | 10.625" / 10.468" | 5.13"  | Both Ends | FW503 (Obsolete)            |
| XA-2524-07237   | 15.782" / 15.598"      | 10.625" / 10.468" | 5.13"  | Both Ends | FW503 (Obsolete)            |
| XA-2524-R-1     | 19.650" / 19.171"      | 12.750" / 12.506" | 6.77"  | Blind End | Warranty                    |



## SAF-HOLLAND FIFTH WHEEL KIT 'QUICK LIST'

| PRODUCT  | TOP PLATE                              | REBUILD KIT                        | LOCK GUARD | LOCK KIT     | HANDLE KIT                         | BUSHG/PIN KIT | AIR CYLINDER   |
|--|--|------------------------------------|------------|--------------|------------------------------------|---------------|----------------|
| <b>FW3500 (Stationary)</b>   | XA-3501-A-LH (LH)<br>XA-3501-A-RH (RH) | RK-63501 (LH)<br>RK-63500 (RH)     | RK-05329   | RK-63503     | RK-1707-M (LH)<br>RK-1707-6 (RH)   | RK-04413      | -              |
| <b>FW2535 (Sliding)</b>  | XA-3501-A-LH (LH)<br>XA-3501-A-RH (RH) | RK-63501 (LH)<br>RK-63500 (RH)     | RK-05329   | RK-63503     | RK-1707-M (LH)<br>RK-1707-6 (RH)   | RK-04413      | XA-2524-R      |
| <b>FW2000 (Stationary)</b>   | XA-2009-A-LH (LH)<br>XA-2009-A-RH (RH) | RK-62001 (LH)<br>RK-62000 (RH)     | RK-05328   | RK-62004     | RK-1117-1-L (LH)<br>RK-1117-1 (RH) | RK-04413      | -              |
| <b>FW2500 (Sliding)</b>  | XA-2009-A-LH (LH)<br>XA-2009-A-RH (RH) | RK-62001 (LH)<br>RK-62000 (RH)     | RK-05328   | RK-62004     | RK-1117-1-L (LH)<br>RK-1117-1 (RH) | RK-04413      | XA-2524-R      |
| <b>FW2555 (Sliding)</b>  | XA-71-DAS                              | RK-65014                           | -          | RK-65024     | -                                  | -             | -              |
| <b>FW2570 (H D Sliding)</b>  | XA-71-DAS                              | RK-65014                           | -          | RK-65024     | -                                  | -             | -              |
| <b>FW35 (Stationary)</b>   | XA-351-A-L-P (LH)<br>XA-351-A-P (RH)   | RK-351-A-L (LH)<br>RK-351-A (RH)   | N/A        | RK-351-07296 | XA-07151-1                         | RK-06973-1    | -              |
| <b>FW35 (Sliding)</b>  | XA-351-A-L-P (LH)<br>XA-351-A-P (RH)   | RK-351-A-L (LH)<br>RK-351-A (RH)   | N/A        | RK-351-07296 | XA-07151-1                         | RK-06973-1    | XA-2524-R      |
| <b>FW35-89xx</b><br>(No-tilt Stationary)   | XA-351-A-06-L-P                        | RK-351-A-L                         | N/A        | -            | -                                  | -             | -              |
| <b>FW35-7401</b><br>(No-tilt Sliding)  | XA-351-A-06-L-P                        | RK-351-A-L                         | N/A        | -            | XA-07151-1                         | RK-06973-1    | XA-2524-R      |
| <b>FW35-8401</b><br>(No-tilt Sliding)  | XA-351-A-06-L-P                        | RK-351-A-L                         | N/A        | -            | XA-07151-1                         | RK-06973-1    | -              |
| <b>FW8 (Stationary)</b>  | XA-201-A-L-P (LH)<br>XA-201-A-P (RH)   | RK-201-A3-L (LH)<br>RK-201-A3 (RH) | N/A        | N/A          | N/A                                | RK-06973-1    | -              |
| <b>FW8 (Sliding)</b>   | XA-201-A-L-P (LH)<br>XA-201-A-P (RH)   | RK-201-A3-L (LH)<br>RK-201-A3 (RH) | N/A        | N/A          | N/A                                | RK-06973-1    | XA-2524-R      |
| <b>FW17 (Stationary)</b>   | XA-17-A-L-P                            | RK-17-A-L                          | N/A        | RK-17-A-L-P  | RK-171-11079                       | -             | -              |
| <b>FW17 (Sliding)</b>  | XA-17-A-L-P                            | RK-17-A-L                          | N/A        | RK-17-A-L-P  | RK-171-11079                       | -             | XA-2524-R      |
| <b>FW6700-16B</b><br>(Air Elevating)   | XA-3501-UB                             | RK-63502                           | N/A        | RK-63504     | -                                  | -             | -              |
| <b>FW67-16B</b><br>(Air Elevating)   | XA-351-UB-P                            | RK-351-UB                          | N/A        | -            | -                                  | -             | -              |
| <b>FW35-03344</b><br>(Yard Spotter)  | XA-351-03505S                          | RK-351-03505                       | N/A        | N/A          | -                                  | -             | XA-2524-R-13-1 |
| <b>FW35-03344-1</b><br>(Yard Spotter)  | XA-351-03505S                          | RK-351-03505                       | N/A        | N/A          | -                                  | -             | XA-2524-R-13-1 |
| <b>FW2870-03184</b><br>(Yard Spotter)  | XA-2801-03185-1                        |                                    | N/A        | RK-03185-1   | -                                  | -             | XA-2524-R-4-1  |
| <b>FW1560</b><br>(Side Oscillating)  | XA-1501-CA1S                           | RK-65005                           | N/A        |              |                                    |               |                |
| <b>FW0100-D</b><br>(Heavy Duty (2" KP*))   | XA-101-DAS                             | RK-65012                           | N/A        | RK-65024     | N/A                                |               |                |
| <b>FW0100-0</b><br>(Heavy Duty (3.5" KP*))   | XA-101-OAS                             | RK-65013                           | N/A        | RK-65024-1   | N/A                                |               |                |
| <b>FW0070</b><br>(Heavy Duty (2" KP*))   | XA-71-DAS                              | RK-65014                           | N/A        | RK-65024     | N/A                                |               |                |
| <b>FW0070</b><br>(Heavy Duty (3.5" KP*))   | XA-71-OAS                              | RK-65015                           | N/A        | RK-65024-1   | N/A                                |               |                |
| <b>FW2800-X</b> (Hydraulic Lift)   | XA-2801-AX-1S                          | RK-65021                           | N/A        | N/A          |                                    |               |                |
| <b>FW2900-X</b> (Hydraulic Lift)   | XA-2801-AX-1S                          | RK-65021                           | N/A        | N/A          |                                    |               |                |
| <b>FW1580</b>  |  | XA-1581-A-1                        | RK-65006   | -            | -                                  | -             | -              |
| <b>FW2870-03184</b><br>(LH) Left Hand Release. - (RH) Right Hand Release - KP* Kingpin |  | XA-2801-03185-1S                   | RK-03185-1 | -            | -                                  | -             | XA-2524-R-4-1  |



The above chart does not represent all models or all available kits. Please refer to the detailed parts information pages.



## SAF-HOLLAND FIFTH WHEEL SLIDE BRACKETS & PARTS



### ILS Model Slide Plates

#### Part Number XA-A24

Slide plate for FW8 / 17 / 35 ILS Outboard without angle.  
43" overall length, 24" travel.

#### Part Number XA-B24X

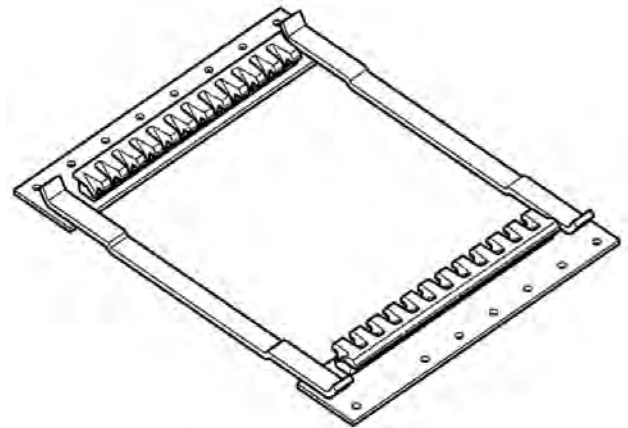
Slide plate for FW8 / 17 / 35 ILS Inboard without angle.  
43" overall length, 24" travel.

#### Part Number RK-10605

ILS Pin and Bushing kit.

#### Part Number RK-10700

ILS Air Cylinder kit.



### ILS Model Bracket Kits

#### Part Number RK-10689-1 (Item #2 - RH & LH)

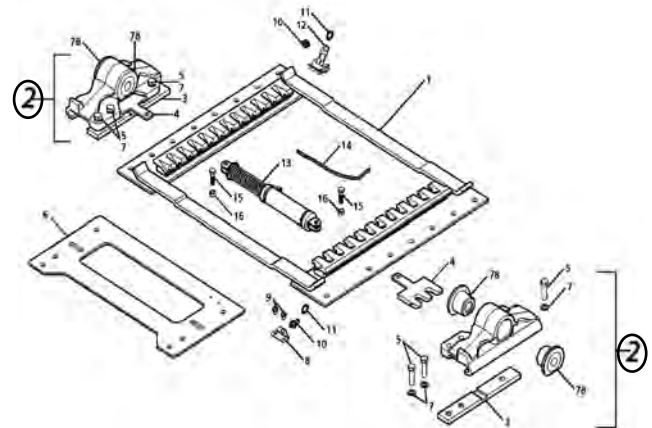
ILS 7" fifth wheel height slider bracket end kit.

#### Part Number RK-10689-2 (Item #2 - RH & LH)

ILS 8" fifth wheel height slider bracket end kit.

#### Part Number RK-10689-3 (Item #2 - RH & LH)

ILS 9" fifth wheel height slider bracket end kit.

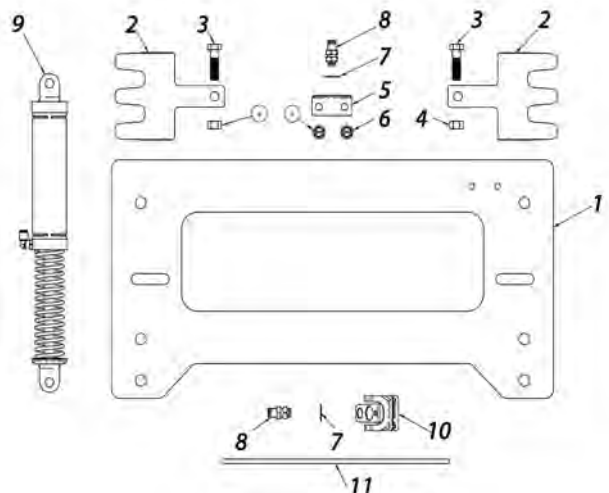


### ILS Model Center Plate Slide Bracket Kit

#### Part Number RK-10606-1

ILS models center plate slide bracket kit.

| #  | Part No.   | Qty: | Description                             |
|----|------------|------|---|
| 11 | XB-10809   | 1    | Tubing, Air Brake (1/4" O.D.)           |
| 10 | XA-10736   | 1    | Clip, Airline                           |
| 9  | XA-10700   | 1    | Cylinder S/A, Air                       |
| 8  | XB-11298   | 2    | Air Fitting, 1/4" quick connect         |
| 7  | XB-11296   | 2    | Washer, locking                         |
| 6  | XB-10814   | 2    | Screw, thread cutting<br>3/8"-16 X 5/8" |
| 5  | XB-11297   | 1    | Bracket                                 |
| 4  | XB-T-69-A  | 2    | Nut, lock, 1/2"-20 (Grade C)            |
| 3  | XB-2083    | 2    | HHCS, 1/2"-20 x 1-3/4"                  |
| 2  | XA-10604-  | 1    | 2 Plunger, Rack                         |
| 1  | XA-10606-1 | 1    | Plate, Sliding Bracket                  |







## SAF-HOLLAND FIFTH WHEEL SLIDE BRACKETS & PARTS

### AIR Slide Plates and Bracket Kits

Brackets are available only as part of complete assemblies -

#### Part Number XA-7001

Air slider bracket. 7.56" actual height,  
8.62 fifth wheel height.  
Rubber bushings are included.

#### Part Number XA-7002

Air slider bracket. 6.56" actual height,  
7.52 fifth wheel height.  
Rubber bushings are included.

#### Part Number XA-7003

Air slider bracket. 5.56" actual height,  
6.62 fifth wheel height.  
Rubber bushings are included.

#### Part Number XA-7009

Air slider bracket. 10.12 fifth wheel height.  
Rubber bushings are included.



#### Part Number RK-06973-1

Bushing and Pin Kit.  
Traditional mount bracket  
XAS1, XA-201, XA351.

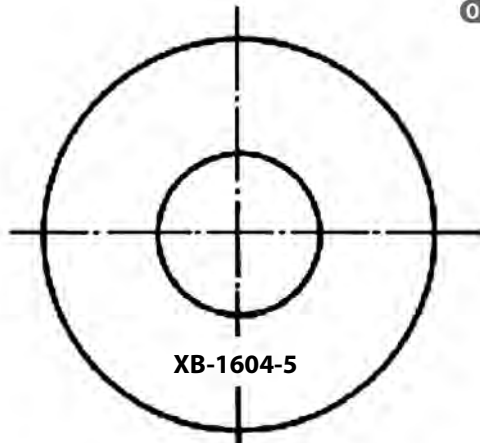


**SAF-Holland**  
ORIGINAL PARTS™



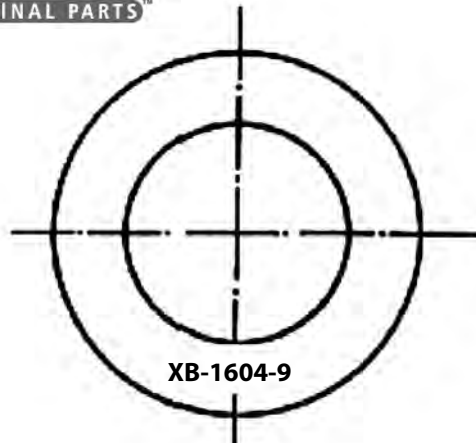
# SAF-HOLLAND FIFTH WHEEL RUBBER UPSHOCK CUSHIONS

Illustrations shown not at actual size.



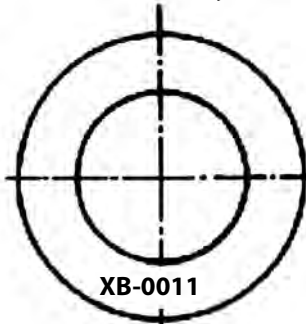
**XB-1604-5**

**FW2000 / FW3500 / FW3600  
Old Style - Prior to May 1982**



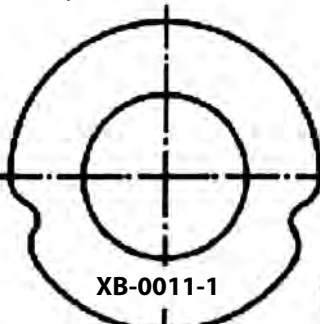
**XB-1604-9**

**FW0070  
Old Style - Prior to May 1982**



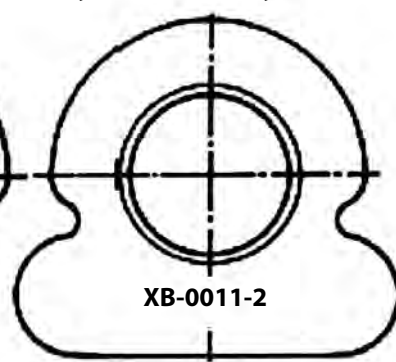
**XB-0011**

**FW2000 KOMPENSATOR /  
FW3500 KOMPENSATOR/ FW3600  
KOMPENSATOR  
and FW3501-UB  
CURRENT**



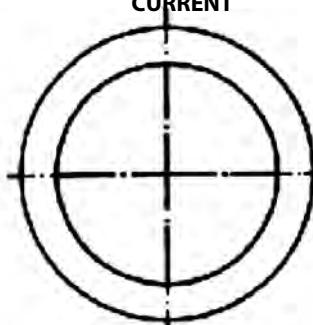
**XB-0011-1**

**FW2000  
FW3500  
FW3600  
May 1982 - June 1987**



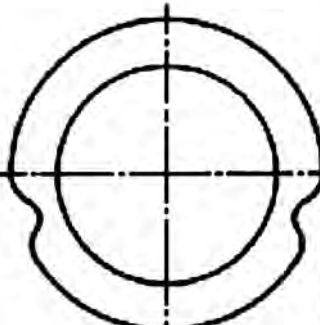
**XB-0011-2**

**FW2000 / FW3500 / FW3600  
CURRENT**



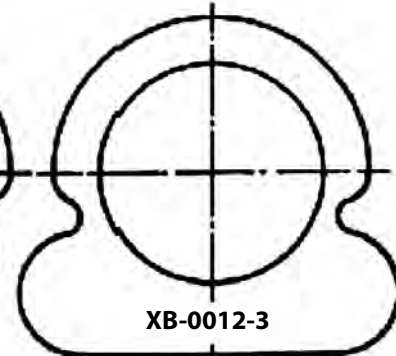
**XB-1604-9**

**FW0070  
KOMPENSATOR  
Prior to May 1982**



**XB-0012-1**

**FW0070  
Mfg.  
May 1982 -  
Oct. 1987**



**XB-0012-3**

**FW0070  
AVAILABLE  
OCT. 1987 to  
current**



**Engineering Your Road to Success**

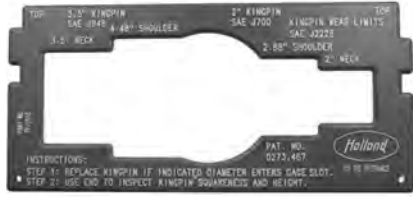


**SAF-HOLLAND REPLACEMENT PARTS**

**King Pin Gauge**

Use to check condition of kingpin; indicates if pin should be replaced.

**Part No. TF-0110**



**King pin Lock Tester Tool**

The HOLLAND kingpin lock testers are designed for checking fifth wheel locking action and lock adjustment in the shop or on the lot.

**Part No. TF-TLN-5001**



**Slider Spring Compressor**

Designed for springs and pins on Holland sliding fifth wheels. Slider bracket maintenance tool.

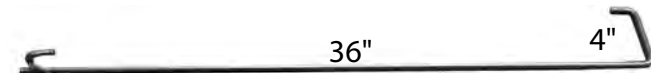
**Part No. TF-TLN-2500**



**Release Hook**

Multi-use. For Fifth wheels and Sliders.

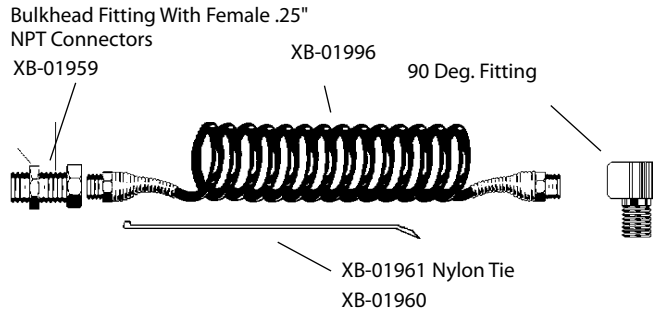
**Part No. XA-0756**



**Sliding Fifth Wheel Air Line Kit**

Ten foot coiled .25" OD nylon tube with wire guards and .25" NPT swivel fittings

**Part No. RK-2500-10**



**Cushion and Pin Rebuild Kit**

This kit is also included in rebuild kits RK-63500-1, RK63501-1, RK62001, RK62001-1.

Consists of:

- 2 XA-2016 Pins
- 2 XB-0011-2 Bushings
- 2 XB-21-S-375-1750 Roll Pins



**Part No. RK-04413**



**Coiled Air Line Kit for Fifth Wheels**

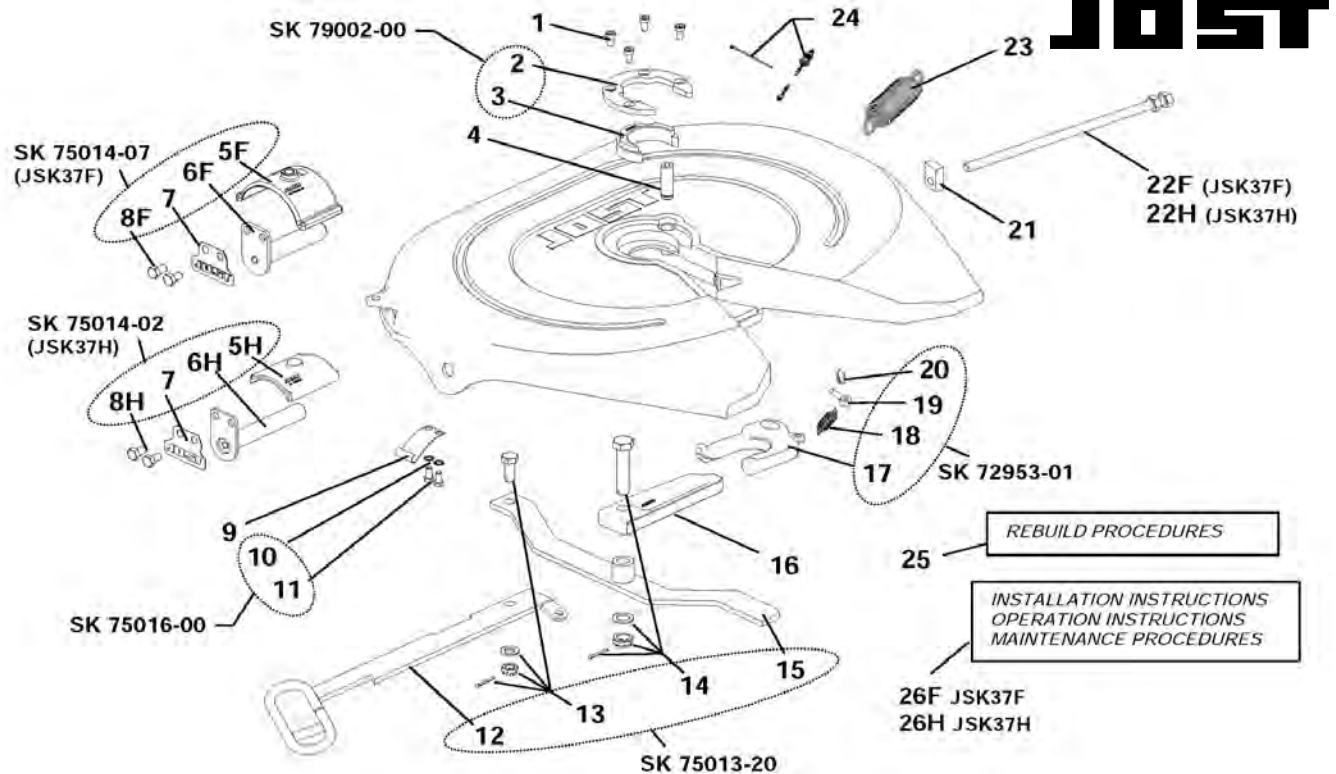
Coiled nylon tubing with wire guards and fittings

**Part No. 1010067**





## JOST FIFTH WHEEL TOP PLATES AND PARTS - JSK37HSL / JSK37FSL



| #  | Part No.            | Description                   | #   | Part No.           | Description                   |
|----|---------------------|-------------------------------|-----|--------------------|-------------------------------|
| 1  | <b>JSK73121-55</b>  | Cushion ring bolt             | 14  | <b>JSK73221-01</b> | Locking bar bolt assembly     |
| 2  | <b>JSK3105-93</b>   | Retainer                      | 15  | <b>JSK3105-140</b> | Lever with bushing            |
| 3  | <b>JSK3105-92</b>   | Cushion ring insert           | 16  | <b>JSK3205-06</b>  | Locking bar                   |
| 4  | <b>JSK72106-67</b>  | Lock jaw pivot pin            | 17  | <b>JSK1489LZ</b>   | Lock jaw                      |
| 5F | <b>JSK79048-02</b>  | Collar (JSK37F)               | 18  | <b>JSK847</b>      | Lock jaw spring               |
| 5H | <b>JSK73105-95</b>  | Collar (JSK37H)               | 19  | <b>JSK2106-69</b>  | Eye bolt                      |
| 6F | <b>JSK79011-12</b>  | Bracket Pin (JSK37U) -01-1/4" | 20  | <b>JSK2106-70</b>  | Ring                          |
| 6H | <b>JSK73104-05</b>  | Bracket Pin (JSK37U) -050mm   | 21  | <b>JSK73205-07</b> | Guide Piece                   |
| 7  | <b>JSK73104-47</b>  | Tab washer                    | 22F | <b>JSK79010-07</b> | Adjusting screw (JSK37F)      |
| 8F | <b>JSK70202-15</b>  | Hex bolt 1/2-13x3/4 (JSK37F)  | 22H | <b>JSK3105-151</b> | Adjusting screw (JSK37H)      |
| 8H | <b>JSK73121-28B</b> | Hex bolt 3/8-16x3/4 (JSK37H)  | 23  | <b>JSK3105-20</b>  | Double tension spring         |
| 9  | <b>JSK0993-00</b>   | Plate spring                  | 24  | <b>JSK3108-02</b>  | Lubricating Kit               |
| 10 | <b>JSK70301-00</b>  | External tooth lock washer    | 25  | <b>LT-JSK37-03</b> | Rebuild Procedures Literature |
| 11 | <b>JSK70202-09</b>  | Hex bolt                      | 26F | <b>JSK75020-22</b> | Info pack (std JSK37F)        |
| 12 | <b>JSK73105-15</b>  | Release handle                | 26H | <b>JSK75020-14</b> | Info pack (std JSK37H)        |
| 13 | <b>JSK71513</b>     | Pivot bolt assembly           |     |                    |                               |

**Part No. JSK37HSL JOST Top Plate "H" Model**  
(Comes with pins, less bushings.)

**Part No. JSK37FSL JOST Top Plate "F" Model**  
(Comes with pins, less bushings.)

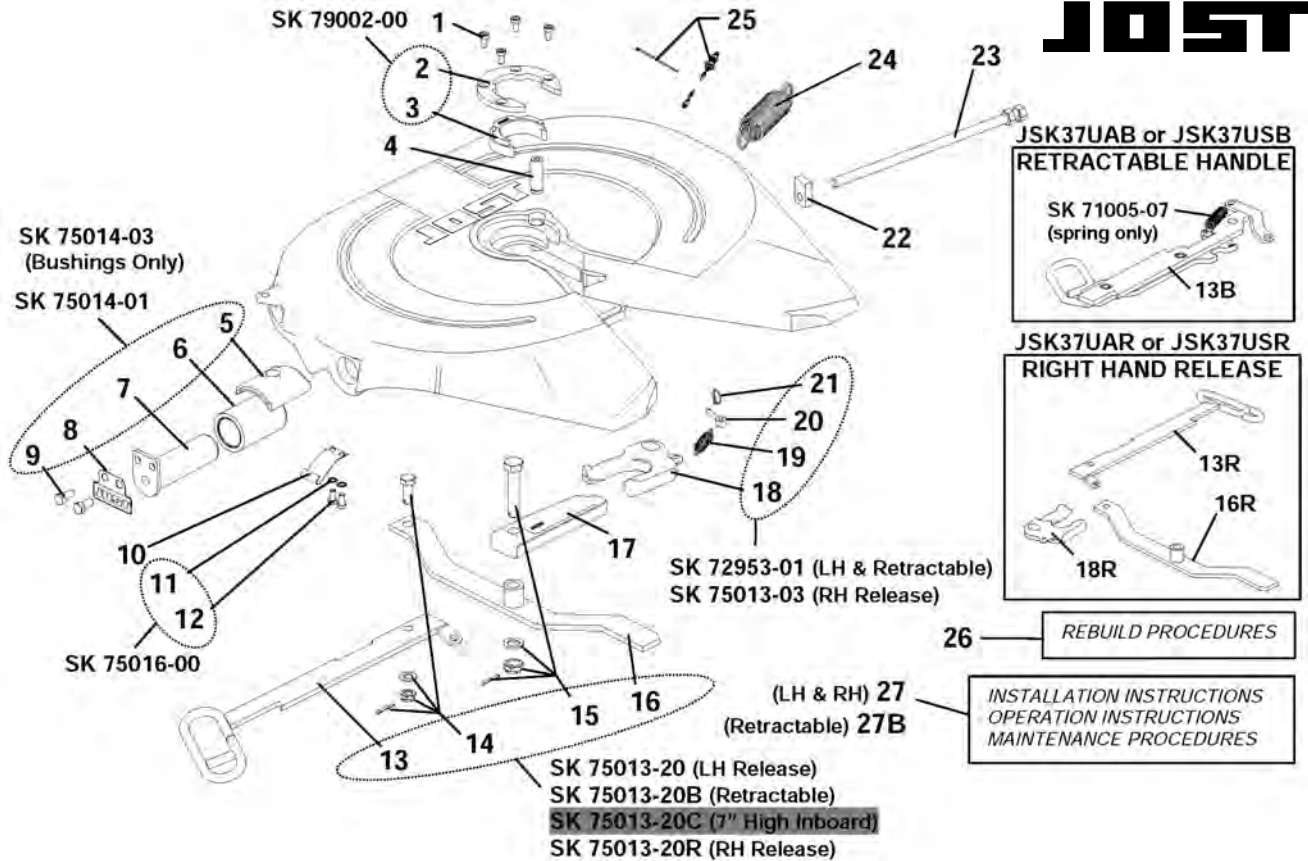
**Part No. JSK73221-50Z**  
Minor Rebuild kit for Cushion and Lock Jaw, L.H. only.  
**(Includes #'s 1-4, 17-20 & 24)**





**JOST FIFTH WHEEL TOP PLATES AND PARTS - JSK37USL**

**JOST**



| #   | Part No.           | Description                | #   | Part No.           | Description                   |
|-----|--------------------|----------------------------|-----|--------------------|-------------------------------|
| 1   | <b>JSK73121-55</b> | Cushion ring bolt          | 15  | <b>JSK73221-01</b> | Locking bar bolt assembly     |
| 2   | <b>JSK3105-93</b>  | Retainer                   | 16  | <b>JSK3105-140</b> | LH Lever with bushing         |
| 3   | <b>JSK3105-92</b>  | Cushion ring insert        | 16C | <b>JSK79003-00</b> | LH Lever 7" high inboard      |
| 4   | <b>JSK72106-67</b> | Lock jaw pivot pin         | 16R | <b>JSK3105-18</b>  | RH Lever with bushing         |
| 5   | <b>JSK3105-95</b>  | Collar                     | 17  | <b>JSK3205-06</b>  | Locking bar                   |
| 6   | <b>JSK2905-94</b>  | Bushing                    | 18  | <b>JSK1489LZ</b>   | LH Lock jaw                   |
| 7   | <b>JSK79011-03</b> | Bracket pin - 050mm        | 18R | <b>JSK1489Z</b>    | RH Lock jaw                   |
| 8   | <b>JSK73104-47</b> | Tab washer                 | 19  | <b>JSK847</b>      | Lock jaw spring               |
| 9   | <b>JSK70202-15</b> | 1/2-13 x 3/4 lg. Hex bolt  | 20  | <b>JSK2106-69</b>  | Eye bolt                      |
| 10  | <b>JSK70993-00</b> | Plate spring               | 21  | <b>JSK2106-70</b>  | Ring                          |
| 11  | <b>JSK70301-00</b> | External tooth lock washer | 22  | <b>JSK73205-07</b> | Guide piece                   |
| 12  | <b>JSK70202-09</b> | Hex bolt                   | 23  | <b>JSK3105-151</b> | Adjusting screw with hex nut  |
| 13  | <b>JSK73105-15</b> | LH Release handle          | 24  | <b>JSK3105-20</b>  | Double tension spring         |
| 13B | <b>JSK75016-04</b> | Retractable Handle         | 25  | <b>JSK3108-02</b>  | Lubricating kit               |
| 13R | <b>JSK79009-27</b> | RH Release handle          | 26  | <b>LT JSK37-03</b> | Rebuild Procedures Literature |
| 14  | <b>JSK71513</b>    | Pivot bolt assembly        | 27  | <b>JSK75020-01</b> | Info Pack (LH & RH)           |
|     |                    |                            | 27B | <b>JSK75020-05</b> | Info Pack (Retractable)       |

**Part No. JSK37USL JOST Top Plate "U" Model**  
(Comes with pins, less bushings.)

**Part No. JSK73221-50Z**  
Minor Rebuild kit for Cushion and Lock Jaw, L.H. only.  
**(Includes #'s 1-4, 18-21 & 25)**

**JOST**



# TRAILER KING PINS

- MATERIAL – AISI 8630H
- HEAT TREATMENT Surface hardness = 302-363 BHN.
- STRENGTH At the above hardness the material will have an approximate 150,000 p.s.i. ultimate strength and 115,000 p.s.i. yield strength.
- QUALITY ASSURANCE Rigid metallurgical cleanliness and quality standards: 100% Brinell Hardness testing. 100% magnetic particle inspection. 100% ultrasonic testing (MS105, tightened C = 0).

| Part Number | Bolster Plate Thickness |
|-------------|-------------------------|
| 1135919     | 5/16"                   |
| 1135920     | 1/4"                    |
| 1135921     | 3/8"                    |
| 1135922     | 1/2"                    |



### "Maltese Cross" Kingpin

Cruciform type Kingpin with housing for 1/4" Bolster Plate.

- Part No. 1135923** Cruciform Height 2-3/7"
- Part No. 1135924** Cruciform Height 3-5/8"



### THE HOLLAND ADVANTAGE - All HOLLAND kingpins deliver: HIGH IMPACT RESISTANCE.

Proper alloy selection and heat treatment provide the best balance of hardness and impact resistance.

### MAXIMUM WEAR RESISTANCE.

Through proper alloy selection and a carefully controlled hardening process, HOLLAND kingpins provide exceptional wear for years of dependable service.

### OPTIMUM STRENGTH AND FATIGUE RESISTANCE.

Ultimate strength and yield characteristics meet all SAE and TTMA performance requirements.

### EASE OF INSTALLATION.

The alloys SAF-HOLLAND uses offer excellent welding characteristics for easy installation or replacement.

### Bolt On Replaceable 2" Style Kingpins Part No. KP-0882

2" Diameter, 302-363 Brinell Hardness, 38" Upper Coupler, 1.44" Counter Bore



| Part Number | Bolster Plate Thickness |
|-------------|-------------------------|
| KP-T-809-CF | 1/4"                    |
| KP-T-809-F  | 3/8"                    |



### KING PIN LOCK

- Rolled steel construction.
- A good, economical method of securing trailers.
- Lock cylinder includes 2 keys.
- (6 kingpin locks per box. Sold Each.)
- Part No. 1190374-100 (Key # 100)**
- Part No. 1190374-101 (Key # 101)**



### Replacement Aft Trailer King Pin Sections

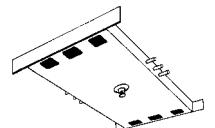
\*\*For Use on Dry Van Trailers Only\*\*

Complete with weld-on 1/4" kingpin installed. Welding procedures and materials used comply with accepted OEM standards.

- Part No. 1147900 - For 96" Wide trailer** 95 1/4" Wide. 30 1/2" Fore & Aft Length. 4 1/8" Height. Conduit locations centered at 47 5/8" and 2 1/4", both sides.

- Part No. 1147904 - For 102" Wide Trailer** 101 1/4" Wide. 30 1/2" For & Aft Length. 4 1/8" Height. Conduit locations centered at 50 5/8" and 2 1/4", both sides.

(king pin up for view)



### High Density Polyethylene Disc

Eliminates the problem of a dry fifth wheel plate. Installs on trailer plate around kingpin using steel retainer ring.

- Complete Assembly **Part No. 1010501**
- Retainer Ring Only **Part No. 1010500**





## SAF-HOLLAND PINTLE HOOKS

**FastLatch™** - featuring SAF-Holland's revolutionary one-handed latch operation with automatic secondary lock. Eliminating the need for cotter pins and chains, the **FastLatch™** is the quickest and simplest latch in the industry.

**SAF-Holland's pintle hooks are:**

- Lighter weight
- More durable
- Stronger
- Safer and easier to operate
- Lubrication free with NoLube™ technology



### Rigid Type Pintle Hook

**Part No. PH-10RP51**

#### Capacity Pintle Hook:

Maximum Vertical Load: 2,000 lbs.  
Max Gross Trailer Weight: 10,000 lbs.

#### Drawbar Eye Dimensions:

2.38" to 3.00" I.D. with 1.25" to 1.63" Diameter Section.

**Part No. PH-10RP41**

Same as PH-RP51,  
without tethered lock pin.



### Rigid Type Pintle Hook

**Part No. PH-30RP51**

#### Capacity Pintle Hook:

Maximum Vertical Load: 6,000 lbs.  
Max Gross Trailer Weight: 30,000 lbs.

#### Drawbar Eye Dimensions:

2.38" to 3.00" I.D. with  
1.25" to 1.63" Diameter.  
Includes tethered lock pin.



### A split flange mount, swivel style pintle hook

designed for over-the-road and off-road applications. The spring provides shock absorption at the coupling—ideal for utility and construction applications

**Part No. PH-30SA41**

#### Capacity Pintle Hook:

Maximum Vertical Load: 6,000 lbs.  
Max Gross Trailer Weight: 30,000 lbs.

#### Drawbar Eye Dimensions:

2.38" to 3.00" I.D. with 1.25" to 1.63" Diameter.



### An under-mount, swivel style pintle hook

designed for over-the-road and off-road applications. The spring provides shock absorption at the coupling—ideal for utility and construction applications.

**Part No. PH-30SB51**

#### Capacity Pintle Hook:

Maximum Vertical Load: 6,000 lbs.  
Max Gross Trailer Weight: 30,000 lbs.

#### Drawbar Eye Dimensions:

2.38" to 3.00" I.D. with 1.25" to 1.63" Diameter.  
Includes tethered lock pin.



**A rigid mount pintle hook designed for trailers and semitrailers in doubles and triples operations.** Used for off- and over-the-road applications.

**Complete** assembly includes a pintle hook, plunger, air chamber, and mounting bracket.

**Part No. PH-210RA11 (Complete assembly)**

Pintle hook w/o an air chamber, bracket or plunger.

**Part No. PH-210RN11 (as listed above)**

#### Capacity Pintle Hook:

Maximum Vertical Load: 18,000 lbs.  
Max Gross Trailer Weight: 90,000 lbs.

#### Drawbar Eye Dimensions:

2.38" to 3.00" I.D. with  
1.25" to 1.63" Diameter.



**A rigid mount pintle hook designed for trailers and semitrailers in doubles and triples operations.** Used for off- and over-the-road applications.

**Complete** assembly includes a pintle hook, plunger, air chamber, and mounting bracket.

**Part No. PH-410RA11 (Complete assembly)**

Pintle hook w/o an air chamber, bracket or plunger.

**Part No. PH-410RN11 (as listed above)**

#### Capacity Pintle Hook:

Maximum Vertical Load: 20,000 lbs.  
Max Gross Trailer Weight: 100,000 lbs.

#### Drawbar Eye Dimensions:

2.38" to 3.00" I.D. with  
1.25" to 1.63" Diameter.





## PINTLE HOOKS CONTINUED AND DRAWBARS

**A rigid mount pintle hook** designed for trailers and semitrailers in doubles and triples operations. Used for off- and over-the-road applications.

**Complete** assembly includes a pintle hook, plunger, air chamber, and mounting bracket.

**Part No. PH-400 (Complete assembly)**

Pintle hook w/o an air chamber, bracket or plunger.

**Part No. PH-400-1 (as listed above)**

**Capacity:**

Maximum Vertical Load: 20,000 lbs.

Max Gross Trailer Weight: 100,000 lbs.

**Drawbar Eye Dimensions:**

2.38" to 3.00" I.D. with 1.25" to 1.63" Diameter.



**A special frame-mount, swivel style pin and clevis coupler featuring a "fish mouth" head** and rubber cushions for shock absorption.

Designed for extreme-duty in over-the-road and off-road applications.

**Part No. PH-990ST71**

**Capacity:**

Maximum Vertical Load: 3,000 lbs.

Max Gross Trailer Weight: 100,000 lbs.

**Drawbar Eye Dimensions:**

3.00" I.D. 1.63" Diameter Section

**Pin Part No. XA-10287**

**Safety Pin Part No. XB-0437**



**3" I.D. eye forged steel drawbar**

with induction hardened wear area. 1.63" diameter section, 2" O.D. shank with nut, washer, and cotter pin. (17.12")

**Part No. DB-1249-49**

**Capacity:**

Maximum Vertical (Tongue) Load: 9,000 lbs.

Max Gross Trailer Weight: 45,000 lbs.

NOTE: When used hinged tongue trailer applications where maximum vertical load cannot exceed 500 lbs., the maximum gross trailer weight is 85,000 lbs.



**Weld-on Drawbar with 2.38" I.D. eye with 1.62" x 1.69" diameter section.** Use with channel, square, or rectangle tube mounting configuration.

**Part No. DB-1400**

**Capacity:**

18,000 lb Max Vertical (Tongue)

90,000 lb max load gross trailer weight.

NOTE: When used hinged tongue trailer applications where maximum vertical load cannot exceed 500 lbs., the maximum gross trailer weight is 120,000 lbs.



**Heavy-duty construction for on- and off-road applications** where a significant amount of swivel is required.

**Part No. PH-760**

**Capacity:**

Maximum Vertical Load: 9,800 lbs.

Max Gross Trailer Weight: 49,000 lbs.

**Drawbar Eye Dimensions:**

3.00" I.D. with 1.62" Diameter Section



**Forged steel bolt-on drawbar** with induction hardened wear area. 3 eye with 1.63 diameter section. (Do Not Weld)

**Part No. DB-1238**

**Capacity: (Rigid Over Tongue Mount)**

Maximum Vertical (Tongue) Load: 4,500 lbs.

Max Gross Trailer Weight: 22,000 lbs.

**Capacity: (Rigid Under Tongue Mount)**

Maximum Vertical (Tongue) Load: 6,750 lbs.

Max Gross Trailer Weight: 22,000 lbs.

NOTE: When used hinged tongue trailer applications where maximum vertical load cannot exceed 500 lbs., the maximum gross trailer weight is 70,000 lbs.



**2.5" I.D. eye forged steel drawbar**

with 1.5" x 1.25" dual section, 1.5" O.D. shank with washer, nut, and cotter pin.

**Part No. DB-1250-3**

**Capacity:**

Maximum Vertical (Tongue) Load: 3,000 lbs.

Max Gross Trailer Weight: 15,000 lbs.

NOTE: When used hinged tongue trailer applications where maximum vertical load cannot exceed 500 lbs., the maximum gross trailer weight is 50,000 lbs.



**3" I.D. eye forged steel swivel drawbar**

with induction hardened wear area.

1.63" diameter section.

**Part No. DB-610-30**

**Capacity:**

Maximum Vertical (Tongue) Load: 9,000 lbs.

Max Gross Trailer Weight: 45,000 lbs.

NOTE: When used hinged tongue trailer applications where maximum vertical load cannot exceed 500 lbs., the maximum gross trailer weight is 85,000 lbs.







**DRAWBARS AND TOW HOOKS**

**Forged steel Drawbar** with 4 Bolt Mounting Base  
2.5" I. D. Eye With 1.25" x 1.5" Oval Diameter Section

**Part No. DB-040DQ1**

**Capacity:**

Maximum Vertical (Tongue) Load: 8,000 lbs.

Max Gross Trailer Weight: 40,000 lbs.

NOTE:

When used in hinged tongue trailer applications where maximum vertical load cannot exceed 500 lbs., the maximum gross trailer weight is 60,000 lbs



5/8" holes



**Forged steel Drawbar** with 4 Bolt Mounting Base  
3" I. D. Eye With 1.63" Diameter Section

**Part No. DB-060FQ1**

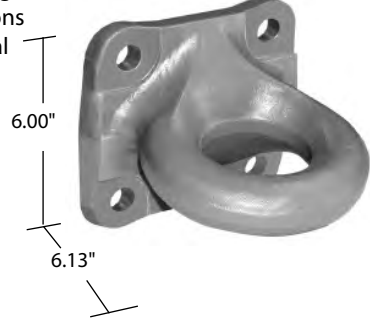
**Capacity:**

Maximum Vertical (Tongue) Load: 15,000 lbs.

Max Gross Trailer Weight: 60,000 lbs.

NOTE: When used in hinged tongue trailer applications where maximum vertical load cannot exceed 500 lbs., the maximum gross trailer weight is 90,000 lbs.

3/4" holes



**Right or Left hand Tow Hook With 2" Opening**

For use in pairs for a tow cable or chain attachment in emergency towing.

**Part No. TH-10050-3L**

**Part No. TH-10050-3R**

**Capacity:**

Maximum Drawbar Pull: 26,000 lbs.

For Cantilevered mount: 33,000 lbs.

For Full Face mount: 45,000 lbs.

Weight: 4.63 lbs. each



**Forged Pintle Hook**

**Part No. PH20**

Drawbar 2" / 3" ID.

**Capacity:**

Max Gross Trailer Weight: 40,000 lbs.

Weight: 13.1 lbs.

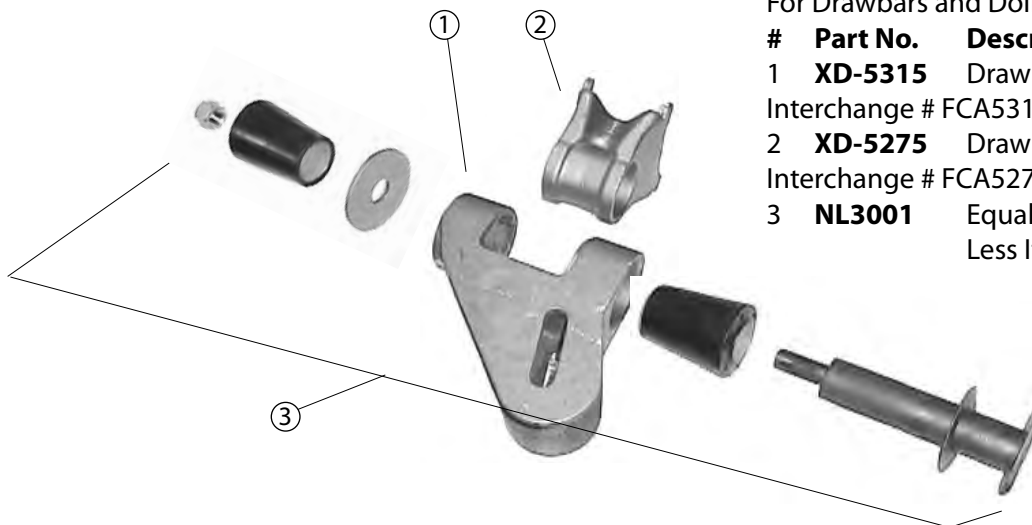


**DRAWBAR HINGE KIT**

**Drawbar Hinge Parts**

For Drawbars and Dolly Bracket

| # | Part No.       | Description  |
|---|----------------|--|
| 1 | <b>XD-5315</b> | Draw Bar Hinge<br>Interchange # FCA5315 (Fruehauf)   |
| 2 | <b>XD-5275</b> | Draw Bar Bracket<br>Interchange # FCA5275 (Fruehauf) |
| 3 | <b>NL3001</b>  | Equalizer Bushing Kit<br>Less Item No.'s 1 & 2.      |





## FLATBED CARGO CONTROL PRODUCTS

### Standard Winch

For Weld-on  
Bottom Mounting  
**Part No. 1820**



### Portable Winch

Flexible Placement along  
Trailer Side Channel  
**Part No. 1820P2**



### Low Profile Winch

For Weld-On  
Side Mounting  
**Part No. 7820**  
Left hand, counter  
clockwise wind.  
**Part No. 7820LH**



### Portable Winch

Low Profile  
Flexible Placement  
along trailer  
Side Channel.  
**Part No. 7820P2**



### Standard Sliding Winch

Adjusts location by  
sliding in track 3608 only!  
Locks firmly in place  
when under load  
**Part No. 1020**



### Standard Sliding Winch

Adjusts location by  
sliding in track shown on  
this page. Locks firmly in  
place when under load  
**Part No. 3820**



### STORABLE SLIDING WINCH

Adjusts location by  
sliding in track. Allows  
extra storage of webbing  
**Part No. 5820**



### WINCH STRAPS - 4" WIDE WEBBING

Made from resin coated polyester for minimum stretch and maximum wear resistance. Labeled to meet CVSA guidelines, DOT regulations, and WSTDA recommended standards. Working Load Limit: 5,400 lbs.  
27 Foot Strap Assembly: **Part No. 422721**  
30 Foot Strap Assembly: **Part No. 423021**  
30 Foot Strap Assembly: **Part No. 423040** with chain anchor.



### Part No. 10091 (Strap Winder)

Designed to wind straps for storage in a toolbox. The Strap Winder is steel constructed with zinc plating. It easily clips to trailer side rails, quickly wind 2" - 4" straps.



### Part No. 10092 - (Strap Winder)

The Kwik Winder allows drivers to wind straps onto the mandrel of a winch in a fraction of the time it takes to do it by hand!



For sliding winches.  
Aluminum.  
10 foot length.  
**Part No. 3608**  
Use with winch number 1020



### Winch Track

For sliding winches.  
Steel. 6 foot length.  
**Part No. 3606**  
Use with winch numbers 3820 or 5820



### Winch Track

For sliding winches.  
Aluminum.  
6 foot length.  
**Part No. 3607**  
Use with winch numbers 3820 or 5820





## FLATBED CARGO CONTROL PRODUCTS

### WINCH BARS -

Winch bars feature knurled slip-resistant handle with carbon steel nose piece for strength.

**Warning:** When tightening and loosening winches, always maintain a firm grip on the winch bar. Never release a winch bar without checking the pawl to ensure that it is fully engaged between ratchet teeth. Releasing the winch bar without the pawl being properly engaged can cause serious injury to the user or bystanders. The use of a winch bar specifically designed to loosen or tighten winches is recommended. "Cheater bars" or extenders should not be used with the winch bars. The tip of the winch bar should be inserted through both holes in the end cap of the winch to prevent the winch bar from slipping out, and overloading the bar tip or winch end cap.

Standard bar, chrome plated, knurled handle

**Part No. 1010107**



Standard bar, painted.

**Part No. 1000108**



Combination painted winch bar features modified handle for use in tightening chain binders.

**Part No. 10032**



Combination chrome plated winch bar features modified handle for use in tightening chain binders.

**Part No. 10033**



### STANDARD RATCHET STRAPS FOR FLATBEDS

**For flatbed tie-down requirements.**

Strap has an 18" fixed end, with two inch wide flat hooks on both ends. 512720 & 513020 have wide handle ratchet.

**Breaking Strength:** 10,000 lb.

**Working Load Limit:** 3,335 lb.

**Width x Length      Part No.**

2" x 27'                      **512720**

2" x 30'                      **513020**

3" x 27' (long handle) **552721**

Working Load Limit 5400 lb. on 552721

4" x 30' (long handle) **593021**

Working Load Limit 5400 lb. on 593021



### Ratchet Strap Assembly

Wide handle ratchet assembly with 2"x27' webbing section and 1006 wire hook.

**Width x Length      Part No.**

2" x 27'                      **512784**





## LOGISTIC STRAPS FOR VAN INTERIORS

Designed to take care of most interior van loading requirements.  
Straps have 4' fixed end as standard.  
All webbing captive to buckle.



### 2" Strap Assemblies

#### With 811 Ratchet and 4900 Webbing.

Assembly Breaking Strength: 3,000 lbs.

Working Load Limit: 1,000 lbs.

12' Assembly **Part No. 641201**

16' Assembly **Part No. 641601**

16' Assembly **Part No. 642001**



### 2" Strap Assemblies

#### With 910 Cam Buckle and 4900 Webbing.

Assembly Breaking Strength: 2,500 lbs.

Working Load Limit: 835 lbs.

12' Assembly **Part No. 651201**

16' Assembly **Part No. 651601**



## ADJUSTABLE CARGO BARS - "LOAD LOCKS"

### Steel Tube Saf-T-Lok Bar

Steel tubing with steel rack, pivoting rubber feet. Heavy duty steel handle, and cast aluminum housing. Rubber feet won't scuff trailer walls. Adjusts from 89" to 105". 11.8 lbs.

**Part No. 10085**



### Aluminum Tube Saf-T-Lok Bar

High strength aluminum tubing, Heavy duty steel handle, steel rack, aluminum housing. Molded rubber feet won't scuff trailer sidewalls. Adjusts from 89" to 105". 11.8 lbs.

**Part No. 10088**



### Round Galvanized One-Piece Jack Bar

Welded molded rubber feet resist scuffing trailer sidewalls. Adjusts from 86" to 104". 12.3 lbs.

**Part No. 1012835**



### Square Galvanized One-Piece Jack Bar

Constructed of square Steel tubing. Features a patented Quick Release mechanism on the handle. Adjusts from 86" to 104". 17 lbs.

**Part No. JB101**



### Replacement Feet - molded rubber

For small tube end, bolt on.

Tube diameter=.75"

**Part No. 10053**

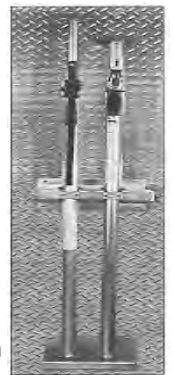
For large tube end, bolt on.

Tube diameter=1-1/8"

**Part No. 10052**



### Bar Tender™ Cargo Bar Holder



Designed to provide storage for various styles of load bars on the exterior of the tractor cab. The Bar Tender™ can be locked with a padlock to deter theft. **Part No. 10062**

### Cargo Hoop Set For Cargo Bars

Mounts easily to most cargo bars. Set contains two hoops with installation hardware.



**Part No. 10096**





## DECKING - SHORING BEAMS

### Series E or A Aluminum Beam

Made from extruded high strength aluminum.  
Head assemblies are steel, zinc plated and tapered.  
•Vertical and Horizontal Rating: 2,000 lbs.  
Adjusts from 84.6" to 95"

**For 96" Wide Trailers - Part No. FE8066-1**

Adjusts from 91.9" to 102.3"

**For 102" Wide Trailers - Part No. FE8066-3**



### Heavy Duty Series E or A Aluminum Beam

Made from extruded high strength aluminum.  
25% more aluminum than in standard beams.  
Head assemblies are steel, zinc plated and tapered.  
•Vertical Rating: 3,000 lbs.  
Horizontal Rating: 2,500 lbs.  
Adjusts from 84.6" to 95"

**For 96" Wide Trailers - Part No. FE8000-1**

Adjusts from 91.9" to 102.3"

**For 102" Wide Trailers - Part No. FE8000-12**

### STANDARD FEATURES

- Redesigned beam head with "KwikLatch" release and ergonomic finger tabs.
- Convenient beam storage solution using an E-Track fitting and Keyhole slot.



### Replacement Parts

Kwik Latch Head Unit  
**Part No. 80007**

Attaching Pin  
**Part No. FE7053-1**



## INTERIOR LOGISTIC TRACK - E & F SERIES

### Series E Track - Horizontal

| Galvanized            | Painted                       |
|-----------------------|-------------------------------|
| <b>Part No. 43001</b> | <b>Part No. 43002</b>         |
| High strength         | High strength                 |
| 12 gauge steel,       | 12 gauge steel,               |
| Galvanized            | 50,000 PSI, Powder Coat Gray. |
| 16.2 lbs. 10' length  | 16.6 lbs. 10' length          |



6" Rope Tie Off for E Track.

Working load limit:  
1000 lbs.

**Part No. 660001**



### Series E Track - Vertical

High strength 11 gauge steel, 50,000 PSI,  
Painted. Ten foot length.  
**Part No. 2019**



### Wood Beam Socket

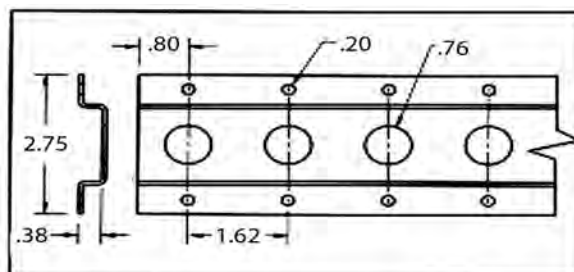
Positive locking mechanism.  
Designed for use with standard  
2" x 4" or 2" x 6" lumber.  
Insert in Series E track  
Zinc plated.

**Part No. 1845**



### SERIES F TRACK

Horizontal or Vertical.  
High strength 15 gauge galvanized steel.  
Ten foot length  
**Part No. 2005**





## CARGO CONTROL ACCESSORIES

### TARP STRAPS

#### Ankra International™ Gold Line®

Made of EPDM rubber, a material capable of delivering, exceptional strength, durability and resistance to everyday road conditions, ultraviolet (UV) radiation, weathering, and ozone.

EPDM-based tarp straps have proven to last 5 to 20 times longer than natural rubber tarp straps

Reduces the problem of rot and loss of resilience that can occur over time.

"S" hooks included. In boxes of 50.

#### Retracted Sizes Listed

| Part No. | Size |
|----------|------|
| TS10     | 10"  |
| TS15     | 15"  |
| TS21     | 21"  |
| TS31     | 31"  |
| TS41     | 41"  |



**GOLDLINE**



### TIE STRAPS

#### Kinedyne® Polar™

Pro grade natural rubber with crimped ends.

Tested to extreme cold (-58°) and extreme heat (158°).

Ozone tested and UV resistant.

A new standard in S-Hook quality.

"S" hooks included. In boxes of 50.

#### Strap Retracted Length

Part No. Size

OSG10-C 10"

OSG15-C 15"

OSG21-C 21"

OSG31-C 31"

OSG41-C 41"



"S" Hooks Only:  
Part No. 2200

(Add 4" for total length of tarp strap with hooks included.)

### Rubber Rope and Tarp Ties

#### WARNING:

Rubber rope and tarp ties lose strength with wear and age. They are not designed to hold a load in place. Overtensioning can cause ties to snap, creating a potential risk of personal injury.

### Corner Protectors (Vee Board) Specifications:

For use in a variety of applications.

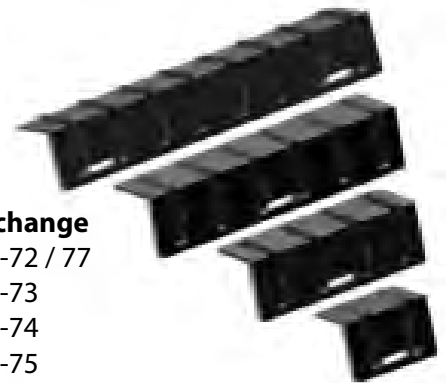
Protects cargo and is easy to use.

Vertical ribs add strength.

Strap sizes up to 4" wide.

Black plastic construction.

| Part No.  | Weight | Length | Ribs | Slots | Slot Location | Interchange   |
|-----------|--------|--------|------|-------|---------------|---------------|
| 982-00317 | 1 lb.  | 12"    | 2    | 1     | center        | 700-1-72 / 77 |
| 982-00318 | 2 lbs. | 24"    | 4    | 1     | center        | 700-1-73      |
| 982-00319 | 3 lbs. | 36"    | 6    | 1     | center        | 700-1-74      |
| 982-00320 | 4 lbs. | 48"    | 8    | 2     | ends          | 700-1-75      |



### Plastic Corner Protector

Designed to protect both strap and cargo.

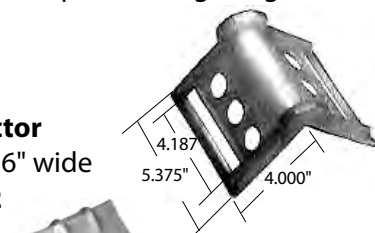
Features corner recess to protect cargo edge.

Part No. 1010080

### Steel Corner Protector

For chain and cable. 6" wide

Part No. 982-00302



### Plastic Corner Protector

12" long to protect cargo edge.

Part No. 37026



### Coil Rack

Material: Hot Rolled Steel, 10 Gauge

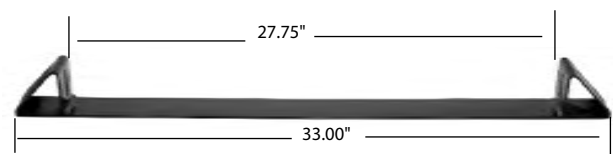
Finish: Painted Black

Size: 33.25" long x 2.75" wide x 2.85" high

Weight : 4.9 lbs.

Coil Racks, also known as coil chocks or coil bunks, are used in conjunction with hardwood timbers to stabilize metal coils in the load securement process.

Part No. 8656





## CHAIN PRODUCTS

### Grade 70 Transport Tiedown Chain

#### Tiedown Chains With Clevis Grab Hooks

| Size      | LBS. Weight Each | Working Load Limit | Part No.           |
|-----------|------------------|--------------------|--------------------|
| 5/16 x 20 | 27               | 4,700              | <b>5/16X20GR70</b> |
| 5/16 x 25 | 30               | 4,700              | <b>5/16X25GR70</b> |
| 3/8 x 16  | 26               | 6,600              | <b>3/8X16GR70</b>  |
| 3/8 x 20  | 32               | 6,600              | <b>3/8X20GR70</b>  |
| 1/2 x 20  | 58               | 11,300             | <b>3532-725-55</b> |

Grade 70 is a high strength chain made from quenched and tempered steel. Higher strength to weight ratio than standard carbon chain. Easily recognized electro-galvanized gold finish. Not to be used for overhead lifting.

- Transport tie downs Made in USA.
- Tow & Binder chains
- Meets D.O.T. specs
- Finish: Gold Chromart



### Clevis Type Grab Hooks Grade 70

| Hook Size | Chain Size | Working Load Limit | Part No.           |
|-----------|------------|--------------------|--------------------|
| 5/16      | 5/16       | 4,700              | <b>3570-305-05</b> |
| 3/8       | 3/8        | 6,600              | <b>3570-405-05</b> |



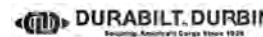
### Slip Hook Clevis w/latch Grade 70

| Hook Size | Chain Size | Working Load Limit | Part No.           |
|-----------|------------|--------------------|--------------------|
| 5/16      | 5/16       | 4,700              | <b>3570-035-05</b> |
| 3/8       | 3/8        | 6,600              | <b>3570-045-05</b> |



### BINDERS - Lever and Ratchet

| Part No.         | Description           | Weight (lbs) | Load Limit | Working Break Strength | Min. Handle Length |
|------------------|-----------------------|--------------|------------|------------------------|--------------------|
| <b>1010103</b>   | 5/16 - 3/8 Lever Type | 8.25         | 7,100      | 28,400                 | 16"                |
| <b>1010115</b>   | 5/16 - 3/8 Lever Type | 8.25         | 5,400      | 19,000                 | --                 |
| <b>1010116</b>   | 5/16 - 3/8 Ratchet    | 11.44        | 7,100      | 26,000                 | 14"                |
| <b>DR-1-PLUS</b> | 5/16 - 3/8 Ratchet    | 12.50        | 8,800      | 29,200                 | 14"                |
| <b>DR-2</b>      | 3/8 - 1/2 Ratchet     | 8.10         | 9,200      | 33,000                 | 15.5"              |



Part No. 1010103

Part No. 1010115

Part No. 1010116

Part No. DR-1-PLUS Part No. DR-2

### Floor Chain Tiedown

3/8" chain. For use on steel frame trailers. Self storing. Grade 43 Working Load Limit: 5000 lbs.

**Part No. 10421**



### Straight Stake Pocket

Steel Stamping. Black primer.

**Part No. B2373C**



### Recessed Rope Ring

For use with 3/8" plywood.

Pan recessed to allow direct mounting to vehicle structural members.

Length: 5" Width: 3-1/2" Depth: 3/8"

**Part No. 1020222**



### D-Ring Assembly

Welded steel ring made from 5/8" dia. stock. Primer finish. Tested to 6000 lbs. Includes Ring and Retainer.

**Part No. 982-00046**

### Part No. B23-DRING

Size is 1-1/2" X 1-1/2" 1/4" holes, 14ga clip



### D-rings with clip, weld on mounting bracket.

**Part No. Description** (all are drop forged)

- B38W** 1/2", 4030 lb. working limit.
- B40** 5/8", 6130 lb. working limit.
- B46** 3/4", 9120 lb. working limit.
- B50** 1", 15,586 lb. working limit.



**MUD FLAPS - BRACKETS - SKIRTING****RUBBER MUDFLAPS****Economy 1/4" "Chevron Style"**

| Size    | Part No.   |
|---------|------------|
| 24 x 24 | 1190299-SP |
| 24 x 30 | 1190300-SP |
| 24 x 36 | 1190301-SP |

**Standard 1/4" "Chevron Style"**

| Size    | Part No. |
|---------|----------|
| 24 x 24 | 1190299  |
| 24 x 30 | 1190300  |
| 24 x 36 | 1190301  |

**Standard 3/8"**

| Size    | Part No. |
|---------|----------|
| 24 x 30 | 1190296  |
| 24 x 36 | 1190297  |
| 24 x 40 | 1190298  |

**Heavy Duty 1/2"**

| Size    | Part No. |
|---------|----------|
| 24 x 30 | 1190417  |
| 24 x 36 | 1190418  |

**Heavy Duty 1/2" "Anti-Spray"**

| Size    | Part No. |
|---------|----------|
| 24 x 24 | 1190420  |
| 24 x 30 | 1190421  |

**Mud flap Fastener Kit**

Bagged kit: Contains 4 nuts, 4 bolts and 4 washers  
50 bags / container.

**Part No. 1157019**

**AEROFLAPS®**

- AeroFlap's® unique pattern channels airflow.
- AeroFlap® has angled shortie brackets application.
- AeroFlap's® polypropylene material is designed to withstand colder temperatures, successfully tested to -30°F

**Part No. 033-08001** 24" x 24"

**Part No. 033-08002** 24" x 30"



**LEET ENGINEERS**  
INCORPORATED

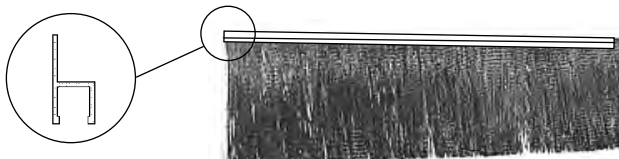
**Trailer Anti-Spray Skirting****Skirt Dimensions:**

11" Brush. 4 Foot Length. **Part No. 1190409**

**Aluminum Extrusion:**

4 Foot Length. **Part No. 1190410**

**One of each is needed for proper installation**

**PLASTIC MUDFLAPS****White 3/16" Thick Plastic**

| Size           | Part No. |
|----------------|----------|
| 24 x 24 (.150) | 1218824  |
| 24 x 30        | 1218896  |
| 24 x 36        | 1014123  |

**Black 3/16" Thick Plastic**

| Size    | Part No. |
|---------|----------|
| 24 x 24 | 1014855  |
| 24 x 30 | 1014857  |
| 24 x 36 | 1014858  |

**ANTI-SPRAY Mudflaps have Ribbed Backs:****Black 3/8" Thick "Ultra Rubber" Anti-Spray**

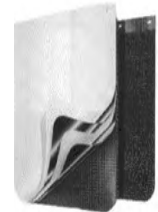
| Size    | Part No. |
|---------|----------|
| 24 x 30 | 1190400  |
| 24 x 36 | 1190401  |

**White 3/8" Thick "Ultra Rubber" Anti-Spray**

| Size    | Part No. |
|---------|----------|
| 24 x 30 | 1190402  |

**White 1/4" Plain Anti-Spray**

| Size    | Part No. |
|---------|----------|
| 24 x 28 | 1214280  |
| 24 x 30 | 1190404  |
| 24 x 36 | 1190406  |

**Black 1/4" Plain Anti-Spray**

| Size    | Part No. |
|---------|----------|
| 24 x 30 | 1190405  |
| 24 x 36 | 1190407  |

**Steel retainer Strap - .120" x 2" x 24"**

**Part No. 033-00053**

**Mud Flap Angle Bracket**

11 gauge formed steel angle. 2" x 2" x 27.5"

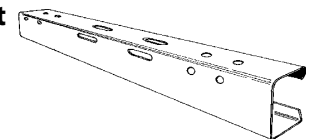
**Part No. 1190291**

**Universal Mud Flap Bracket**

Steel. 3<sup>5</sup>/<sub>8</sub>" x 3<sup>5</sup>/<sub>8</sub>" x 26<sup>3</sup>/<sub>4</sub>".

Fits curbside or roadside.

**Part No. 1190289**

**Anti-Sail Brackets - Works with any length flap.**

Chromed Steel

**Part No. 1190290**

Galvanized Steel-zinc plated

**Part No. 1190293**







## BETTS MUD FLAP BRACKETS

Manufactured from spring steel, all arms are shotpeened and painted to insure longer service life. All sets include 2 spring arms, 2 steel mounting brackets, clips, nuts and bolts for easy installation.



### MOUNTING BRACKETS:

#### Standard Mounting Bracket

Fits all .640" standard hangers

**Part No. B711**

#### Heavy Duty Mounting Bracket

Fits all .750" heavy duty hangers

**Part No. B700**



#### Mud flap Fastener Kit

Bagged kit: Contains 4 nuts, 4 bolts and 4 washers to mount one mud flap.

**Part No. 1157019**

#### Standard Hangers - with B711 bracket

**Part No. B23-B**

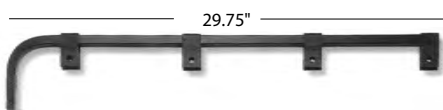
.640" Square steel, interchangeable



**Part No. B25-B**

.640" Square steel, interchangeable

**Single Hanger: Part No. A25RLB-B**



#### Standard Angled Hangers with B711 bracket

**Part No. B33-B**

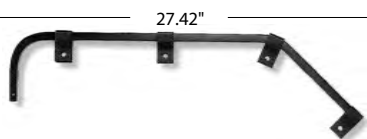
.640" Square steel, interchangeable



**Part No. B35-B**

.640" Square steel, interchangeable

**Single Hanger: Part No. A35R/L**



### Reflective Strips

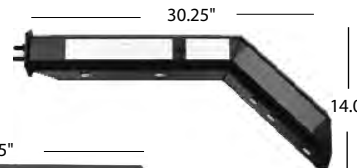
- Attached to aluminum strips
- Universal Mount-Roadside or curbside
- Can be used with any bracket
- Part Number represents one pair



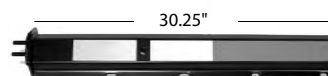
**Part No. RT25 (straight) RT35 (angled-shown)**

### Spring Loaded hangers with Conspicuity Strips

**Part No. B67**



**Part No. B57**

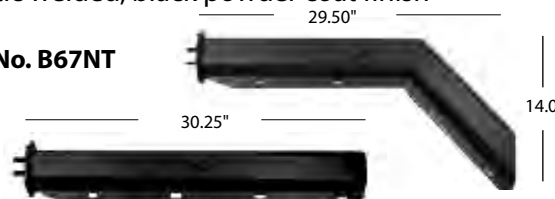


### Spring Loaded Holders

These hangers spring back after impact.

Robotic welded, black powder coat finish

**Part No. B67NT**

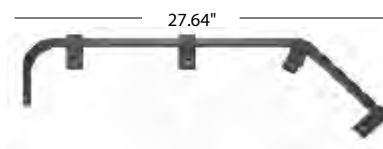


**Part No. B57NT**

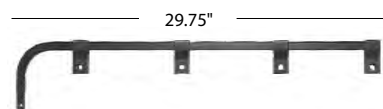
### Heavy Duty Angled Hangers with B700 bracket

ALL are .750" Square Steel, Interchangeable

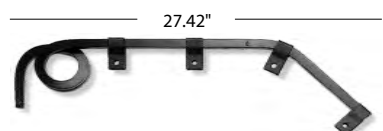
**Part No. B81**



**Part No. B82**



**Part No. B84**



**Part No. B87**





# FLEET ENGINEERS MUD FLAP BRACKETS

## Bar Type Mud Flap Brackets

- Square Spring Steel •Black Primer Finish
- Kits include 2 arms and all mounting hardware.

**Part No. 031-00123**  
**Triple Coil Bracket Kit**  
 .63 square bar,  
 Standard duty  
 Standard Mount 2.875"



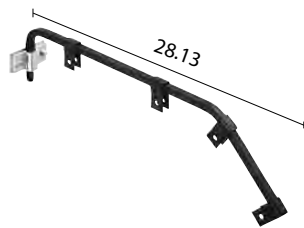
**Part No. 031-00125**  
**Right Angle Bracket**  
 .63 square bar,  
 Standard Mount 2.875"  
**One arm only:**  
**Part No. 034-00426**



**Part No. 031-00133**  
**Shortie Triple Coil Bracket Kit**  
 .63 Square Bar,  
 Standard Mount 2.875"



**Part No. 031-00135**  
**Shortie Right Angle Bracket**  
 .63 Square Bar,  
 Standard Mount 2.875"  
**One arm only:**  
**Part No. 034-00433**



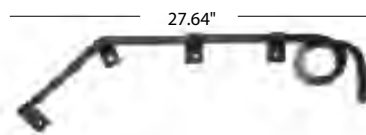
**Part No. 031-01675**  
 .63" steel, narrow mount 1.875", interchanges w/B23



**Part No. 031-01676**  
 .63" steel, narrow mount 1.875", interchanges w/B25



**Part No. 031-01677**  
 .63" steel, narrow mount 1.875", interchanges w/B33



**Part No. 031-01678**  
 .63" steel, narrow mount 1.875", interchanges w/B35



## Standard Mounting Kit - (2.875")

**Part No. 031-00896**  
 •Steel construction, black primed finish  
 Allows for relocation of brackets from one vehicle to another. • Kit includes: 2 mounting sockets, and hardware.



## FB-27 Spring Loaded Mud Flap Brackets

E-Coated black primed steel, unless noted.  
 Patented seat design eliminates wind caused bracket rotation. Reduces flap and bracket damage. Ideal for spray suppression flaps.



### Standard FB-27 Spring Loaded Brackets

| Part No.  | Length |
|-----------|--------|
| 033-00270 | 28.00" |
| 033-00272 | 24.50" |



### Frame Mount FB-27 Spring Loaded Brackets

| Part No.  | Length |
|-----------|--------|
| 033-00868 | 30.25" |
| 033-00870 | 30.25" |



### Shortie FB-27 Spring Loaded Brackets

| Part No.  | Length                        |
|-----------|-------------------------------|
| 033-00864 | 21" to 45°, 27.50" overall    |
| 033-00865 | 21" to 45°, 27.50" overall    |
| 033-03404 | 23.75" to 45°, 30.25" overall |



**HELLCAT** - Spring loaded brackets - From Fleet Engineers. Packaged set includes two brackets, reflectors, mounting hardware, end caps, plastic snap rivets and plugs. Bracket is unassembled; for installation flexibility, reflectors and hardware are not attached. Cast mounting seat accepts studs for either **1.125" or 2.5" hole pattern**. Hardware packaged set includes, four studs, four nuts, four washers and two gaskets.



**Part No. 033-04993**  
 Stainless steel, straight.



**Part No. 033-04992**  
 Black RoadKote®, straight.





**QUARTER FENDERS**

**AIR SLIPPER" QUARTER FENDER COMBO PACKAGE SETS**

**Part No. 031-00747 (34.40 lbs.)**

**Fender Description:** Polished Stainless Steel

**Top Flap Pack:** Plain White with S.S. Hardware

Order Mounts separately



**AIR SLIPPER" QUARTER FENDER COMBO PACKAGE SETS**

**Part No. 031-00924 (18.50 lbs.)**

**Fender Description:** Black Plastic

**Top Flap Pack:** Plain White with Zinc Hardware

Order Mounts separately



**STANDARD QUARTER FENDER PACKAGE SETS**

**Part No. 031-01070 (29.38 lbs.)**

**Fender Description:** 18 Ga. Polished Stainless Steel

**Top Flap Pack:** Plain White with S.S. Hardware

**Part No. 031-01071 (31.01 lbs.)**

**Fender Description:** 18 Ga. Black Primed Steel

**Top Flap Pack:** Plain White with Zinc Hardware

Order Mounts separately



**KIT - WITH MOUNTING OPTION: Steel Pipe Mount Quarter Fender Part No. 1013167KIT**

Includes Quarter Fender Part No. **031-01071** and mounting kit Part No. **031-00233**



**KIT - WITH MOUNTING OPTION: Steel Pipe Mount Quarter Fender Part No. 1013167SSKIT**

Includes Quarter Fender Part No. **031-01070** and mounting kit Part No. **031-00233**

**Cross Mount Tube Kit - Part No. 031-00233**

- Steel components
- Black primer finish
- For heavy duty over the frame mounting • 50" long

**LOW MOUNT QUARTER FENDER PACKAGE SETS**

**Part No. 031-01074 (29.73 lbs.)**

**Fender Description:** 18 Ga. Polished Stainless Steel

**Top Flap Pack:** Plain White with S.S. Hardware

Order Mounts separately



**AIR SLIPPER" QUARTER FENDER PACKAGE SETS**

**Part No. 031-00400 (31.80 lbs.)**

**Fender Description:** 18 Ga. Black Primed Steel

**Top Flap Pack:** ---

**Part No. 031-00402 (33.20 lbs.)**

**Fender Description:** 18 Ga. Polished Stainless Steel

**Top Flap Pack:** ---

Order Mounts and Top Flaps separately



**AIR SLIPPER" TWO QUARTER FENDER PACKAGE SETS**

**Part No. 031-00406 (17.30 lbs.)**

**Fender Description:** Black Plastic

**Top Flap Pack:** ----

**034-00731 (LH) and 034-00732 (RH) available.**

Order Mounts and Top Flaps separately



**Part No. 1013169 (20.00 lbs.)**

Braceless design. Molded - in tube cradle with rigid mounting tube attached. Polyline.

Service temperatures: -40° to +150°.

Includes top flap.

Order Mounts separately



**Part No. 1900KIT (20.00 lbs.)**

Braceless design. Molded - in tube cradle with rigid mounting tube attached. Polyethylene.

Service temperatures: -40° to +150°.

Includes top flap.

Order Mounts separately





## FENDER MOUNTING OPTIONS

### Top Flap Complete with Hardware

2 Plain black rubber flaps,  
Zinc plated hardware  
(8 nuts, bolts, washers)

**Part No. 031-00242**

Plain black rubber, 24".  
(1 top flap)

**Part No. 1013167-2**

Plain white 24".  
(1 top flap) Plastic.

**Part No. 1013164**



### Cross Mount Tube Kit

- Steel components
- Black primer finish
- For heavy duty over the frame mounting
- 50" long

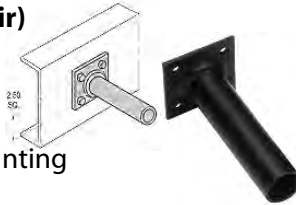
**Part No. 031-00233**



### Side Mount Socket Kit (Pair)

- Steel components
- Black primer finish
- Bolts directly to frame
- For independent side mounting

**Part No. 031-00234**



### Post Mount Socket Kit (Pair)

- Steel components
- Black primer finish
- For independent post mounting
- Bolts directly to frame or suspension

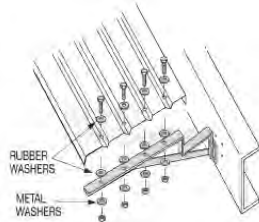
**Part No. 031-00235**



### Center Mount Kit

- Steel construction
- Black primer finish
- Includes 2 mounting brackets, hardware.

**Part No. 031-00541**



### End bracket Mount Kit (Side Style)

- Steel construction
- Black primer RoadKote™ finish
- Includes 2 mounting brackets, endcaps.

**Part No. 031-00542**



### End Mount Kit (Post Style Round)

- Steel construction, for use with Spraymate® fenders
- Includes 2 mounting brackets, endcaps.

**Part No. 031-01250** • Black primer RoadKote™ finish

**Part No. 031-01253** • EKote™ finish

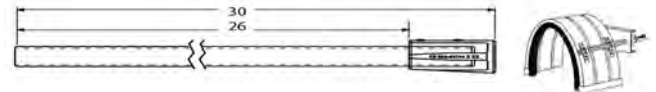
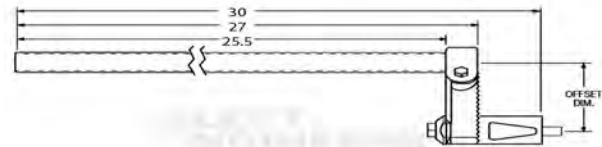
**Part No. 031-01254** • Stainless Steel finish

**Part No. 031-01257** • Black primer finish

### End Mount packaged set - Multi-Mount

- Heavy-duty castings
- 2" - 5" adjustable offset
- For SprayMaster® half tandem/double radius
- Specs listed below:

**Part No. 031-01661**



### Center Mount packaged set - Multi-Mount

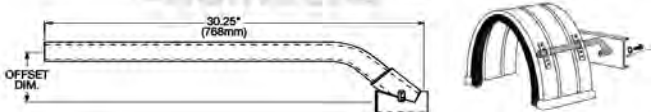
- Heavy-duty castings
- 2" - 5" adjustable offset
- For SprayMaster® half tandem/double radius
- Specs listed above:

**Part No. 031-01662**

### Center Mount packaged set - Offset Mount

- Heavy-duty castings
- 5" fixed offset
- For SprayMaster® half tandem/double radius
- Specs listed below:

**Part No. 031-01664**



### Offset Mount packaged kit - frame mount

- Steel construction
- Black primer RoadKote™ finish
- Includes 2 mounting brackets, endcaps.
- For use with Spraymate® fenders
- Specs listed above

**Part No. 031-00883**

**Part No. 031-00886, Stainless Steel**





## TRUCK FENDERS

### Standard Duty - Half-Tandem fenders

- Ribbed for extra strength
- Part number represents 2 fenders
- 24" Wide
- Roll formed outside edges for extra strength.

**Part No. 034-01321 (Pair)** Aluminum - 16 ga.  
**Part No. 034-01353 (Each)** Aluminum - 16 ga.

**Part No. 034-01320 (Pair)** Stainless Polished-18 ga.  
**Part No. 034-01352 (Each)** Stainless Polished-18 ga.



### Standard Duty - Tandem double radius

- 16 ga. steel
- Ribbed for extra strength
- Roll formed outside edges in a tight radius which gives it extra rigidity and smoothness. No other fender in the industry has this feature
- (Mounts not included.)

**Part No. 034-01314 (Pair)**  
**Part No. 034-01368 (Each)**

- 18 ga. steel 430 polished stainless steel:

**Part No. 034-01312 (Pair)**  
**Part No. 034-01366 (Each)**



### Spray Mate® Polypropylene Fenders

- Tough, high density polypropylene
- Injection molded (plastic)
- UV additive for fade resistance
- Unaffected by heat and cold
- Set includes 2 fenders, Support kits, and stainless steel mounting hardware
- (Anti-spray brush kit (shown) not included.)



**SPRAYMATE**

**Part No. 031-01520 (Black - Pair)**  
**Part No. 034-01520 (Black - EACH)**

**Part No. 031-01521 (Silver/Grey - Pair)**  
**Part No. 034-01521 (Grey - EACH)**

### Spray Mate® mount support kit

Packaged set includes four molded nylon hanger brackets, four support straps, and stainless steel mounting hardware.

Mounting hardware includes stainless steel nuts, bolts, washers, and hex-socket set screws.



**Part No. 031-00823**

### Spray Master® Half Tandem:

Spray Master's injection molded polypropylene construction won't rust or corrode and is more durable and forgiving than aluminum. The side valances and molded ribs on the under side of the Spray Master® are designed to provide superior spray suppression which not only keeps equipment cleaner, but helps prevent objects such as stones from damaging finish and breaking mirrors and windows. Plus, the Spray Master® is easy to care for...no painting or polishing is necessary as they are stabilized with a UV additive for fade resistance.

**Part No. 031-01639 (Pair)**  
**Part No. 034-02190 (Roadside)**  
**Part No. 034-02194 (Curbside)**



**Check out our drop-ship (formerly Lifetime) fender program with Betts Heavy Duty. Quality Fenders, great pricing!**

|                       |                     |  |                          |
|-----------------------|---------------------|--|--------------------------|
| Quarter Fenders       | Single Axle Fenders | Half Tandem Axle Fenders                           | Full Tandem Axle Fenders |
|                       |                     |  |                          |
| Tri-Axle Full Fenders | Specialty Fenders   | <p><b>BettsHD®</b><br/>Parts for the Long Haul</p> |                          |
|                       |                     |  |                          |



## TRAILER SIDE SKIRTS



**Aerosaver White Trailer Side Skirt -  
53' Application  
Part No. 034-02533**

**•Saves Money**

The aerodynamic and lightweight *AeroSaver™* reduces fuel consumption by up to 7%.

**•Saves Inventory**

*AeroSaver™* is the only trailer side skirt that gives the option of mounting in either straight or angled orientations with the same hardware.

**•Saves Space**

Ships and stores in 3 equal lengths!

**•Saves Manpower**

Easier installation! Can be completed by just one person in less time that it takes to install other brands of trailer side skirts with 2 people.

**•Saves The Planet**

The lightweight *AeroSaver™* is made from recycled products.



Part number represents a bulk kit, which is enough to install the AeroSaver™ Trailer Side Skirt panel on both sides of the trailer. Bulk kit consists of skirting, supports and hardware; support hardware is e-coated.

- Extruded flexible plastic designed to bend over obstacles.
- Hardware is E-coated for maximum corrosion resistance.
- Can be mounted in straight or angled orientations.
- Installs with no holes to the frame of the trailer.
- UV impregnated – will not fade or crack due to sunlight.
- Performs well in all temperatures.
- Each panel is replaceable independently.
- Brackets are easily replaced if damaged.
- 12 supports / kit.





## MIRRORS & ACCESSORIES

### 8 1/2" Round Convex Mirror

- Center stud, with bracket
- Polished Stainless Steel
- Part No. 708501**
- Polished Stainless Steel (and offset)
- Part No. 708502**



### 8 1/2" Round Convex Mirror

- 5/16" female adjustable ball stud & bolt
- Glass mounted in black gasket
- "L" bracket included, center mount
- Black
- Part No. 708503**



### 7 1/2" Round Convex Mirror

- Center Stud 5/16" female adjustable ball stud and bolt, "L" bracket included
- Glass mounted black gasket
- Polished Stainless Steel
- Part No. 708508**



### 7 1/2" Round Convex Mirror

- Offset stud, with bracket.
- Polished
- Stainless Steel
- Part No. 708509**



### 6" Round Convex Mirror

- Center stud, with bracket
- Polished
- Stainless Steel
- Part No. 708515**



### 5" Round Black Convex Mirror

- Center Stud, with bracket
- Includes arm and clamp to attach securely to mirror arm
- Black painted steel back
- Part No. 708521**



Fixed arm lane change hood mount mirror kit.

Universal. Provides a view of the blind spot area alongside the vehicle. Includes standard convex, 8-1/2" mirror.

**Part No. 714623**



### 5" Round convex mirror

- Chrome with bracket
- Part No. SUP530**



### 6" Round convex mirror

- Chrome with bracket.
- Part No. SUP550**



### 8" convex mirror

- Chrome with bracket. Center mount.
- Part No. SUP560**



### 8" Offset Round convex mirror

- Chrome with bracket
- Part No. SUP570**

### 8" Heated convex mirror

- Chrome with offset mount.
- Part No. SUP574**

### 6" Round convex mirror:

- Polished stainless steel with 5/16" center mount ball.

**Part No. R953**



### 8" Round convex mirror:

- Polished stainless steel with 5/16" offset mount ball.

**Part No. R980**

- Same as Above - Heated.

**Part No. R980H**



### 8" Round convex mirror:

- Polished stainless steel with 5/16" center mount ball.

**Part No. R983**



### Universal Tripod Fender Mounted Mirror

- Use with convex mirror heads to increase vision, eliminate blind spots
- Fully adjustable
- Stainless steel arms
- Part No. TL97829**



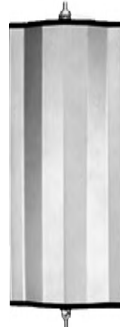


# MIRRORS

### Economy West Coast Mirror

- 6" x 16" silvered mirror
- Aluminum back
- 5/16" rod-through construction

**Part No. 1012110**



### Round 3-3/4" Stick-On Convex Mirror

- Extends drivers view
- Bonds instantly
- Single strength silvered mirror
- Aluminum mirror back

**Part No. 723065**



### West Coast Mirrors

#### 7"x 16" Mirror, Heated.

- 7" x 16" Bright stainless
- 5/16"-24 mounting stud
- Improved temperature control.
- 12V 32W heater uses less than 1 amp during normal operation.

**Part No. TL97809**



### 6 1/2" x 10" side mount

- White powder coated steel
- Flat glass
- 55 square inch viewing area
- 5/16" hardware
- Replaceable 1/8" glass
- Outer gasket for protection

**Part No. 704032**



### West Coast Mirrors

#### 7"x 16" Mirror, Heated, Lighted

- Features "second surface" silvered glass that resists pitting, peeling and corrosion.
- Stainless steel housing
- Designed at 13.5v, .59 amp & 4 cp.
- Light Source:
  - 2 - Bulb: #67, G-6 bayonet.

**Part No. TL97827**



### Pillow Back Flat Ribbed

#### West Coast Mirror

- 6 1/2" x 16" mirror
- 5/16" hardware
- Painted Steel Finish
- Black

**Part No. 705104**



### Stainless West Coast Mirror

- 7" x 16" Polished stainless
- Angle Back Design with frame
- 5/16" hardware

**Part No. 705333**

**Part No. 705335 (Heated)**



### Motorized heated 4-WAY™ movement west coast mirror

- Fast uniform defrosting with self-regulating heater.
- 4-way glass movement.
- Chrome Shell
- Fits west coast brackets.
- Glass replacement number M025041

**Part No. M025001A**



### Heated, Frost-Free West Coast Mirror

- 7" x 16" mirror
- Internal heating element
- Polished plate glass silvered mirror
- weather sealed in vinyl
- 5/16" rod-through construction

**Part No. GR16053**



### West coast mirror head: 7" x 16" mirror - heavy duty.

Universal mounting

Non-glare glass

**Part No. R1159**

**Part No. R1159H (Heated)**



### West coast mirror head: Pyramid back

**Part No. SUP7300**

**Part No. SUP7340 (Heated)**







## SAFETY PRODUCTS

### Dry Chemical Fire Extinguishers

#### 2.75 Lb. UL Rated 10B:C.

- For grease, oil, gasoline and electrical fires.
- Plastic nozzle.
- Bracket included.

#### Part No. 1014204

- Metal nozzle with noncorroding gauge.
- Fully rechargeable.
- Bracket included.

#### Part No. 1014205



#### 5 lb. UL Rated ABC

- For grease, oil, gasoline and electrical fires, plus wood and paper fires.
- Metal nozzle with hose and noncorroding gauge.
- Fully rechargeable.
- Bracket included.

#### Part No. 1013303 (3A40BC)

#### Bracket Part No. 420119



Same as above, 10 lbs, 21" tall.

#### Part No. 1013304 (4A80BC)



### Wide Load Banners

14" high, 72" long, with grommets in each corner. Yellow background with 12" high black letters. Reversible.

"Wide Load" one side,

"Oversize Load" on opposite side.

#### Part No. 1010215

Larger size for compliance in some states.

18" high, 84" long. Reversible.

#### Part No. 1010216

18"x84" vinyl coated mesh

#### Part No. AV102

18"x84" vinyl, over size load only.

#### Part No. AVM104

12"x60" vinyl mesh, over size load, escort sign only.

#### Part No. CVM104CO

### Log Book

Two page log books.

Case quantity 100.

#### Part No. 2-PAGE



### Triangle Warning Kit

Three triangles packed in corrosion-proof plastic storage box. Heavy base with rubber feet helps withstand high winds. Meets or exceeds all applicable DOT, FMVSS, and state requirements.

#### Part No. 1014509



### First Aid Kit

Compact 3" x 5" x 8" White Metal Case

Contents: (10 unit kit)

- 2 1" x 3" Bandage
- 1 4" Bandage Compress
- 1 2" Bandage Compress
- 1 Triangular Bandage
- 1 Eye Dressing
- 1 Ammonia Inhalant
- 1 Wound Wipes
- 1 Burn Cream Packets

#### Part No. 1010180

ANSI Z308.1-2009



### FLAGS

18" x 18" Fluorescent Orange nylon/vinyl flag 3/4" x 30" wood dowel.

#### Part No. FLAG

18" x 18" Red jersey flag. 3/4"x 30" dowel.

#### Part No. FS300C

Made from durable mesh fabric to withstand wind and weather.

18" x 18" red flag.

With 5/8" x 24" dowel.

#### Part No. 1010218

Red flags only (Pair), 18" x 18", with grommets in each corner.

#### Part No. 1010219

Made from durable mesh fabric to withstand wind and weather.

18" x 18" red flag.

With 5/8" x 36" dowel.

#### Part No. 1010220



### Wide Turn Sign (RT18)

Highly visible red, black and yellow.

Adhesive backing.

14" high, 18" wide.

#### Part No. RT18





## SAFETY PRODUCTS

### 20 Minute Fusee

Made in accordance with specifications of Bureau of Explosives. Meets all necessary Specifications.

Carton Quantity: 72

**Part No. 1011038** with spike

### 20 Minute Fusee

**Part No. 1011048** with wire stand

Carton Quantity: 36 (Priced as Ea.)



### 20 Minute Fusee

**Part No. 1011058** no spike

Carton Quantity: 72 (Priced as Ea.)

### 30 Minute Fusee

**Part No. 1011068** with wire stand

Carton Quantity: 72 (Priced as Ea.)



### 30 Minute Fusee

**Part No. 1011078** with spike

Carton Quantity: 72 (Priced as Ea.)

### Fusee Storage

Spike Fusee Case & Bracket

- Size: 23/4" dia. x 19" long
- Tube will hold all sizes- 20 and 30 min. fusees.
- Kit includes mounting bracket, fusee case, and screw-off cap.

**Part No. 14031**



### Rough Service Light Bulbs

**Part No. Description**

**RS75** 75 Watt, 115V, 24/Case

**RS100** 100 Watt, 115V, 24/Case

### Coated Shatterproof Bulbs

**RS75C** 75 Watt, 115V, 24/Case

**RS100C** 100 Watt, 115V, 24/Case



### Aluminum Shipping Seal

Consecutively numbered. 8.5" long.

Packs of 100. **Part No. 1010109**



### Plastic Shipping Seal

Consecutively numbered. 7.75" long.

Packs of 100. **Part No. 1010110**

### Rubber Wheel Chock

Zinc plated eyebolt. 9 lbs.  
8" D x 9.5" L x 6" H  
Sharp steps to grip better.

**Part No. 1013985**



### Aluminum Wheel Chock

Extruded aluminum wheel chock. Great for ice and snow conditions. For use in chocking semi-trailers and trucks. Includes carrying handle / slot in back.

7"x11"x8". 6.5 lbs.

**Part No. 1013984**



### Folding Step

Combination safety step and hand hold. Protrudes 4." 4" wide.

Spring loaded. Zinc plated.

**Part No. 1032157**



### Retractable Step

Slide away step assembly.

Slide in, slide out.

Steel. 16"x27"x29"

**Part No. 08-02**



### Chrome Grab Handles

13" overall, 7" grab area. 2" high. Holes countersunk for 1/4" screws

**Part No. 1014218**

Chrome plated, 29.75" overall length, 24" grab.

**Part No. 1014624**

Chrome plated, 41.68" overall length, 36" grab.

**Part No. 1014636**



### Safety Grate - Tractor

33<sup>3</sup>/<sub>4</sub>" x 18<sup>3</sup>/<sub>4</sub>"

For installation behind cab.

Provides good nonskid surface, even in winter.

12 gauge steel. Zinc plated.

**Part No. 1014217**



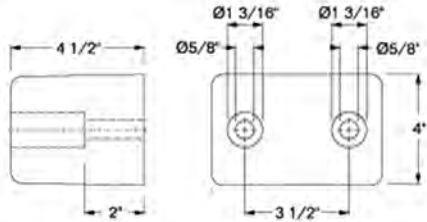


**DOCK BUMPERS**

**2-HOLE RUBBER BUMPER**

5.75" x 3.75" x 4.5"

**Part No. 1149545**



**2-HOLE RUBBER 'D' BUMPER**

4" x 4" x 12" with two 13/16" diameter holes on 8" centers.

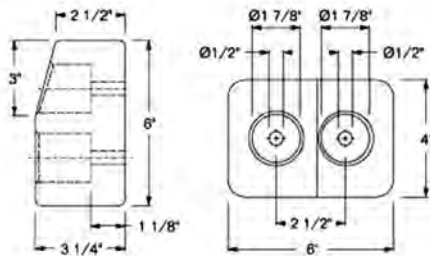
**Part No. 1149549**



**2-HOLE RUBBER BUMPER**

6" x 4" x 3.75"

**Part No. 1149546**



**4-HOLE RUBBER 'D' BUMPER**

3" x 3" x 24" with four 11/16" diameter holes on 6.5" centers.

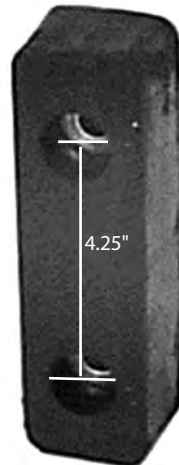
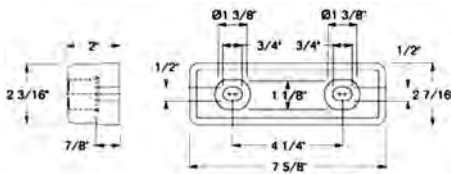
**Part No. 1149550**



**2-HOLE RUBBER BUMPER**

7.875" x 2.5" x 2"

**Part No. 1149547**



**2-HOLE RUBBER 'D' BUMPER**

2 1/8" x 1 7/8" x 10" with two 7/16" diameter holes on 6" centers.

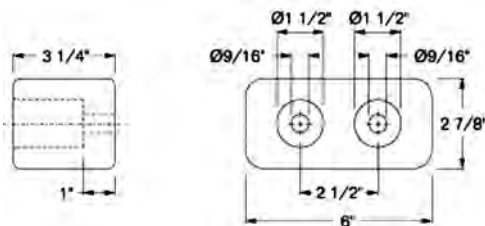
**Part No. 1149551**



**2-HOLE RUBBER BUMPER**

Molded tough rubber compound. Two 9/16" diameter mounting holes. 3 1/4" deep, 2 7/8" wide, 6" high.

**Part No. 1149548**



**4-HOLE RUBBER BUMPER**

Molded, reinforced with flexible cord. Half round. Four 5/8" diameter mounting holes. 3 3/4" deep, 5 1/4" wide, 8" high.

**Part No. 1190550**





## SAFETY PLACARDS

Ensure your compliance when shipping Dangerous Goods with Labelmaster's selection of hazard class placards. These durable, reliable DOT placards stand up to the elements as they printed with long-life UV inks that resist peeling, chipping and fading. Placard holders, seals and other accessories to help keep your shipments compliant also are available. Rest assured that once your Dangerous Goods hit the road, you've taken the necessary steps to keep them and your business in full compliance.

# LABELMASTER

### Spacemaster® Flip Panel Placards

The original permanent placarding system. Our most popular placard comes with eight titles. Just flip to the appropriate panel for DOT compliance. Aluminum alloy frame with easy to flip aluminum titles with four hold-down clips per panel. Aluminum alloy frame with eight color general commodities flip titles: Dangerous, Flammable Gas 2, Poison 6, Corrosive 8, Flammable Liquid 3, Oxidizer 5.1, Radioactive 7, Non-Flammable Gas 2, Blank

**Part No. 81-8FO** (1014161)

**Available in white:**

**Part No. 81-8WFO** (1014161WH)



### Clipped Corner Placards

Two clipped corners for installation on 15" roll-up door panels. Same 8 general commodities as listed above.

**Part No. 81-8CC** (1014163)



### Split Frame for Roll-Up Doors

Split frame for installation on trailer roll-up doors. Same 8 general commodities as listed above.

**Part No. 81-8SFO**

(1014161-SPLIT)



### Locking Clip

Two hole replacement clip for safety placards

**Part No. 81-CLIP**

(1014161-CLIP)



### Slidemaster® Placard Holder

Anodized aluminum.

Accommodates metal, tagboard, and rigid vinyl placards.

Stainless clip holds firmly in place

**Part No. 80SM97**

(1014161-SLIDE)



### Split Frame Slidmaster®

For roll-up door applications.

**Part No. 80SM/S97**

(1014161-SPLIT/SL)



### Slidemaster® Placard Holder

Shiny brite mill finish on .032 aluminum frame.

For use w/ metal, tagboard, and rigid vinyl placards. Stainless clip holds firmly in place.

**Part No. 80SMP97**

(1014170)

(Shown w/placard-not included)



### Duo-Flip® Panel Placards

Duo-Flip® placards allow compliance to DOT regulations by changing the titles along with the necessary ID numbers. Just flip to the appropriate panel and number combination for DOT compliance. Aluminum alloy frame with easy to flip aluminum titles with four hold-down clips per panel.

Combustible - Flammable - Corrosive - Poison - Blank. Numbers flip on stainless hinges.

**Part No. 126CT**

(1014162)



### Record of Annual Inspection

Ensure proper compliance with DOT regulations with Labelmaster's Record of Annual Inspection Form Without Decal. This 2-part, carbonless form measures 8½ x 11 in.

and is sold in packs of 10. **Part No. DRIF-97**





## TIRE LINK CHAINS

Consult owner's manual to see if chains can be used on your vehicle. Make certain your tire chains are properly sized for your tires. A proper fit is key to performance. Follow directions for installing tire chains. Apply as tightly as possible by hand for maximum chain life. Be sure to pull off highway to safe place before installing, servicing or removing tire chains. Do not deflate tires to install tire chains. Drive approximately 1/4 mile. Stop & retighten. Extra links may be cut off or preferably retained on the fastener arm. Keep chains tight to snug throughout the operation. Only after retightening may rubber adjusters be applied. Do not exceed 30 m.p.h. Accelerate and decelerate slowly. Avoid spinning or locking of wheels. If a cross chain should fail, stop immediately. Repair or remove. Do Not drive with a broken chain. Avoid hitting curbs with tire chains. Tire chains are not designed for towing vehicles.

### Truck Link Chain

#### Single Truck Highway Service

| Part No.       | Tire Applications (May fit other sizes not listed)      | Lbs./Pr. |
|----------------|---|----------|
| <b>2239CAM</b> | 9.00-22, 8.25-20, 255/80-22.5, 255/70-22.5, 265/75R22.5 | 49       |
| <b>2245CAM</b> | 10.00-20, 11-22.5, 10.00/90-20                          | 50       |
| <b>2247CAM</b> | 275/80R24.5, 285/75R24.5                                | 50       |
| <b>2249CAM</b> | 10.00-22, 11-24.5                                       | 54       |
| <b>3269CAM</b> | 445/55R 22.5 (Wide Base)                                | 71       |



**All Part Numbers for chains represent One Pair. Enough for 1 axle. 1 axle of duals, etc..**

### Truck Link Chain

#### Dual/Triple - Highway Service

| Part No.       | Tire Applications              | Lbs./Pr. |
|----------------|--------------------------------|----------|
| <b>4245CAM</b> | 10.00-20, 11-22.5, 10.00/90-20 | 89       |
| <b>4247CAM</b> | 275/80R24.5, 285/75R24.5       | 97       |
| <b>4249CAM</b> | 10.00-22, 11-24.5              | 100      |

### REGULAR LINK REPLACEMENT CROSS CHAIN WITH END HOOKS (BULK PACKAGING)

| Part No.    | Links | Link Dia. (Inches) | Inside Length (Inches) |
|-------------|-------|--------------------|------------------------|
| <b>6253</b> | 11    | 9/32, 0.281        | 16.87                  |



### Chain Tightener

For large trucks or light trucks. Chain and spring galvanized. Part number represents one pair.

**Part No. 29229**



### SNOW CHAIN MOUNTING KIT FOR SNOW CHAIN CARRIERS. Part No. 69000913

"No drill" mounting kit. Mounts anywhere. 8" wide. 4 lbs. Sold Each.





## HALDEX WATER PUMPS

| Part No. | Description                        | Engine Application   | Pulley/ Gear Description                                    | MFG. No.                                       | Alternate Numbers                |
|----------|------------------------------------|--|---|--|----------------------------------|
| RW1194PX | Caterpillar 3406B/C Engine         | 3208B & 3208C/<br>Premium Seal                                   | Flat Gear   | 7W7019/7C4957<br>ORB217                        | RW1194/<br>RW1194PRX             |
| RW1162X  | Caterpillar 3208 Engine            | 3208   | 3 Belt - Bolt on Pulley                                     | 2W1225   | RW1162/<br>RW1162RX              |
| RW6012X  | Caterpillar 3406B/C/E Engines      | 3406B/C/E  | Dome Shaped Gear Driven<br>O-Rings & Gaskets for WP<br>Only | 613890/<br>QR4120/<br>OR8330/OR8218<br>10R0483 | RW6012/<br>RW6012RX              |
| RW1310X  | Caterpillar New Generation Engines | DT360/ DT466   | Stamped Steel Impeller                                      | 1821935C1<br>1821935C3                         | RW6313                           |
| RW1176X  | Cummins 88 Big Cam IV Engine       | NTC 300, 315, 350,<br>365, 400                                   | Multi-Groove Pulley   | 3062899  | RW1176/<br>RW1176RX              |
| RW6075X  | Cummins B Series Engine            | B Series Engine/ 4 & 6<br>Cylinder                               | Multi-Groove Pulley   | 3913132  | RW6075/<br>RW6075RX              |
| RW1170X  | Cummins Big Cam III, IV Engine     | NTC 290, 350, 400,<br>Formula 290, 350                           | 4.675 Dia. Multi-Groove<br>Pulley/ 4.5" Impeller Vented     | 218274   | RW1170/<br>RW1170RX              |
| RW1172X  | Cummins Big Cam IV Engine          | 300,350,400; Fleet 300;<br>NTC-Formula 300, 350,<br>400; NTC-475 | 4.275 Dia. Multi-Groove<br>Pulley/ 4.5" Impeller Vented     | 3045163  | RW1172RX/<br>RW1172RX            |
| RW4076X  | Cummins L10 & M11 Engines          | L10-310E/L10-330E<br>M11 : 1991 and up                           | 3 Hole Mount  | 3882615  | RW4076RX/<br>RW6076              |
| RW4077X  | Cummins M11 Engine                 | M11 ISM Application  | 3 Hole Mount- Short Shaft                                   | N/A  | N/A                              |
| RW1073X  | Cummins N14 Series Engine          | N14 - 310, 330, 350, 370,<br>410 Engines                         | Multi-Groove Pulley   | 3069644<br>3076523                             | RW6073/<br>RW1073RX/<br>RW1073VX |
| RW1180X  | Detroit Diesel 53 Series Engine    | Series 53  | Left Hand 2 Groove Pulley                                   | 5144688  | -                                |
| RW4123PX | Detroit Diesel 60 Series Engine    | 60 Series after 12/90  | Premium Seal/Metal Back<br>Plate/High Flow - 6 Vane         | 23512027                                       | RW4123PRX                        |
| RW4125PX | Detroit Diesel 60 Series Engine    | 60 Series/ Pocket Style  | Premium Seal/High Flow - 6<br>Vane Impeller "Pocket Style"  | 23522721                                       | RW6127/<br>RW4125PRX             |
| RW1760X  | Ford Engines                       | 6.6L/7.8L  | Aux. Mount 3/4" Outlet - Cab<br>Over                        | E7HN8508AA                                     | RW1760RX                         |
| RW4114X  | Navistar DT444E Engine             | 7.3L DT444E  | Direct Injection  | 1822851C1                                      | RW6114                           |
| RW1190X  | Navistar DT466 Engine              | DT466  | Belt Driven - Pulley Not<br>Supplied                        | 677856C1                                       | RW1190/<br>RW1190RX              |
| RW4069X  | Cummins ISX                        | ISX  | 10 Groove Pulley  | 2201-10C                                       | RW6069                           |
| RW4124X  | DDA Series 60                      | 60 Series with EGR   | 61 Tooth Drive Gear   | 23530427                                       | RW6124                           |



To avoid problems when installing your water pump, follow the simple, step-by-step instructions below. Handle your replacement water pump with care. If the unit is dropped, the internal ceramic seal may crack. NEVER STRIKE THE SHAFT, as this can damage the shaft or bearings. Always check the fan, pulleys, belts and fan clutch. CAUTION: FOR YOUR PROTECTION, CLOSE HOOD WHEN REVVING ENGINE.

### Installation Instructions

1. Flush cooling system if it shows signs of corrosion. Dirt particles in the coolant can cause seal failure. Clean the water pump impeller cavity and gasket surface. Also, check the radiator cap, thermostat, hoses and clamps. Check fan belt for wear. A glazed belt will slip at high RPM. Replace if necessary.
2. Carefully install the replacement water pump, always use a new gasket. All pumps are greased at the factory. Do not grease. NEVER STRIKE THE SHAFT. Tighten all bolts in a staggered sequence.
3. Turn pump shaft by hand to check for free rotation. If the shaft does not turn freely then recheck your installation.
4. Check fan belt tension. Belt should deflect 1/2" to 3/4". Over tightening will cause damage to the water pump and void the warranty.
5. Reconnect hoses and refill cooling system. Be sure there are no leaks.
6. Check the fan blade for bent or cracked blades, loose rivets or any other damage. NEVER STRAIGHTEN A BENT BLADE. Replace the entire fan when defects are found.
7. Check the fan clutch (if installed) for loss of oil, looseness or wobble. If there is more than 1/4" of play at the blade edges the bearing is bad and the fan clutch needs to be replaced. A bad or misaligned clutch will damage a water pump.
8. Check fan clearances at blade tip, between fan and shroud, and between fan and radiator.
9. Check motor mounts for wear or splitting. Check bolt tightness.
10. Start the engine and run until normal operating temperature is reached. Check for leaks and unusual vibration.

NEVER STAND IN LINE WITH OR NEAR FAN WHEN REVVING THE ENGINE. THE HOOD SHOULD BE CLOSED WHEN REVVING THE ENGINE.

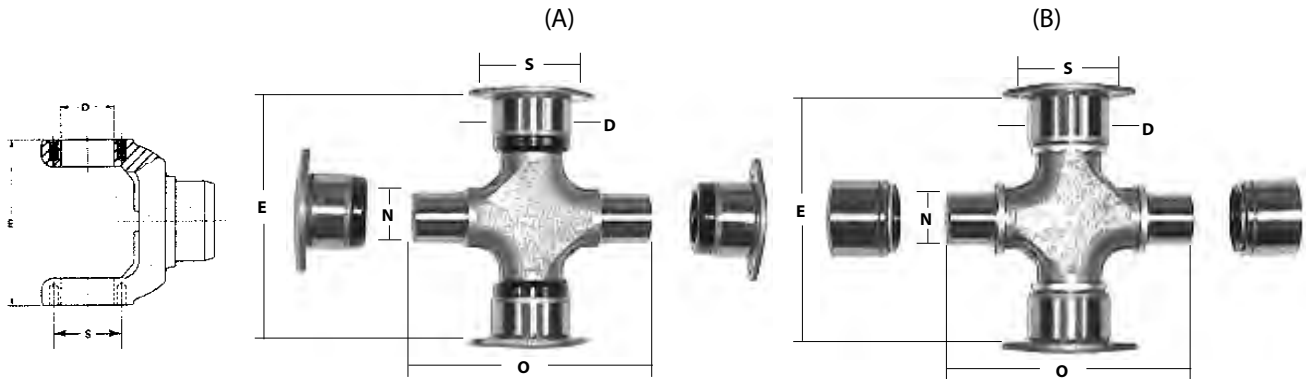
### IMPORTANT!

Leaks, loose fan belts or defective fan clutches cause cooling system problems more often than defective water pumps. Water pump failure can be caused by defective, crooked or unbalanced fans; defective or unbalanced fan clutches; excessive (too-tight) fan belt tension; dirty cooling systems; insufficient clearance between the fan and the shroud or radiator; loose or broken motor mounts. MANY FUTURE PROBLEMS CAN BE AVOIDED IF EVERYTHING IS CHECKED OUT WHEN THE WATER PUMP IS REPLACED.



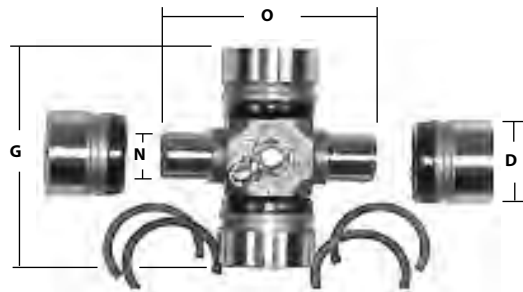
**FLEETCRAFT UNIVERSAL JOINTS**

| E                 | D   | S                             | N                             | O                 |        |                    |   |
|-------------------|---|-------------------------------|-------------------------------|-------------------|--------|--------------------|---|
| Yoke<br>Dimension | Centerline<br>to<br>Centerline<br>Bearing<br>Diameter | Cross<br>Bearing<br>Bolt Hole | Cross<br>Trunnion<br>Diameter | Length<br>Overall | Series | Part<br>No.<br>(A) | Quick<br>Disconnect<br>Part<br>No.<br>(B) |
| 5.312"            | 1.875"  | 2.308"                        | 1.272"                        | 5.001"            | 1610   | <b>G5-279X</b>     | <b>G5-674X</b>                            |
| 6.094"            | 1.937"  | 2.432"                        | 1.298"                        | 5.784"            | 1710   | <b>G5-280X</b>     | <b>G5-675X</b>                            |
| 7.000"            | 1.937"  | 2.432"                        | 1.298"                        | 6.692"            | 1760   | <b>G5-407X</b>     | <b>G5-677X</b>                            |
| 7.547"            | 1.937"  | 2.432"                        | 1.298"                        | 7.242"            | 1810   | <b>G5-281X</b>     | <b>G5-676X</b>                            |



**Inside Snap Ring Style Replacement Kit**

| K                      | D                   | N                             | O                          |                 |        |                |
|------------------------|---------------------|-------------------------------|----------------------------|-----------------|--------|----------------|
| Snap Ring<br>Dimension | Bearing<br>Diameter | Cross<br>Trunnion<br>Diameter | Cross<br>Overall<br>Length | Lube<br>Fitting | Series | Part No.       |
| 1.500"                 | .938"               | .505"                         | 2.080"                     | Yes             | 1000   | <b>G5-170X</b> |





## SPICER UNIVERSAL JOINTS

### Bearing Plate Style Replacement Kits

| E                 | D                       | S                                       | N  | O                           | Series |
|-------------------|-------------------------|---|--|-----------------------------|--------|
| <b>Yoke Sizen</b> | <b>Bearing Diameter</b> | <b>Centerline to Centerline Bearing</b> | <b>Cross Trunnion Diameter Bolt Hole</b> | <b>Cross Overall Length</b> |        |
| 5.312"            | 1.875"                  | 2.308"                                  | 1.272"                                   | 5.001"                      | 1610   |
| 6.094"            | 1.937"                  | 2.432"                                  | 1.298"                                   | 5.784"                      | 1710   |
| 7.000"            | 1.937"                  | 2.432"                                  | 1.298"                                   | 6.692"                      | 1760   |
| 7.547"            | 1.937"                  | 2.432"                                  | 1.298"                                   | 7.242"                      | 1810   |



**Quick Disconnect Part No. (A)**

|                          |                                      |
|--------------------------|--------------------------------------|
| <b>Part No.</b>          | <b>Quick Disconnect Part No. (A)</b> |
| •SP5-279X <sup>(1)</sup> | SP5-674X                             |
| •SP5-280X <sup>(1)</sup> | SP5-675X                             |
| •SP5-407X <sup>(1)</sup> | SP5-677X                             |
| •SP5-281X <sup>(1)</sup> | SP5-676X                             |

(1) Kit with 2 lube fittings  
Standard kit for its series

### STRAP KITS:

For SPL170-3X:

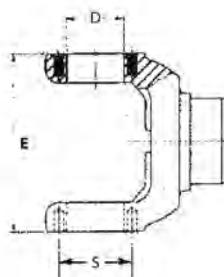
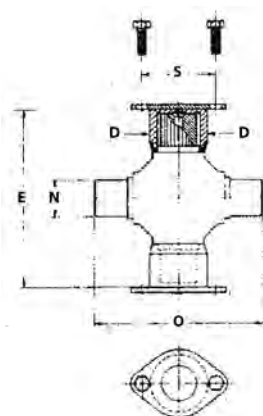
= Part No. SP170-70-18X

For SPL250X:

= Part No. SP250-70-18X

For SP5-675X / 676X / 677X:

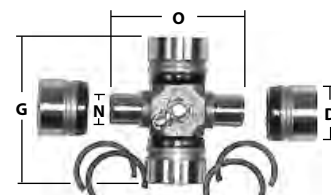
= Part No. SP6.5-70-18X



### Inside Snap Ring Style Replacement Kits

| G                          | D                       | N                              | O                           | Lube Fitting | Series |
|----------------------------|-------------------------|--------------------------------|-----------------------------|--------------|--------|
| <b>Snap Ring Dimension</b> | <b>Bearing Diameter</b> | <b>Cross Trunnion Diameter</b> | <b>Cross Overall Length</b> |              |        |
| 1.500"                     | .938"                   | .505"                          | 2.080"                      | Yes          | 1000   |

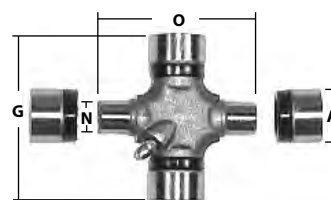
**Part No. SP5-170X**



### Outside Snap Ring Style Replacement Kits

| G                     | D                       | N                              | O                           | Lube Fitting | Yoke Dim. | Series |
|-----------------------|-------------------------|--------------------------------|-----------------------------|--------------|-----------|--------|
| <b>Snap Ring Size</b> | <b>Bearing Diameter</b> | <b>Cross Trunnion Diameter</b> | <b>Cross Overall Length</b> |              |           |        |
| 3.218"                | 1.063"                  | .657"                          | 2.968"                      | Yes          | 3.469"    | 1310   |
| 4.964"                | 1.375"                  | .895"                          | 4.654"                      | Yes          | 5.250"    | 1550   |

**Part No. SP5-153X  
SP5-155X**



### XL Series Replacement Kits

| Max. Momentary Joint Angle | Standard Slip of d/s | Rotating Dia. of d/s | Rotating Dia. of End Yoke | Tubing O.D.   | Wall Thickness | Part No.         |
|----------------------------|----------------------|----------------------|---------------------------|---------------|----------------|------------------|
| 25°                        | 110mm,4.33"          | 126mm,4.96"          | 289mm,11.39"              | 102mm, 4.00"  | 0.095"         | <b>SPL100-1X</b> |
| 25°                        | 110mm,4.33"          | 180mm,7.09"          | 193mm,7.60"               | 126mm, 4.96"  | 3.0mm,0.20"    | <b>SPL170-4X</b> |
| 25°                        | 110mm,4.33"          | 180mm,7.09"          | 193mm,7.60"               | 128.5mm,5.06" | 4.25mm,0.17"   | <b>SPL250-3X</b> |







## CONTINENTAL ELITE® BELTS

### Know When & How to Replace V-Belts.

After four years or 36,000 miles, the chances of belt drive failure increase dramatically. In fact, a study reported that nearly one fifth of vehicles had an unsatisfactory belt. Look for the four warning signs below and replace if necessary.

1. Cracked or Split Belts: Flex the belt. Does it have cracks or splits on the bottom or sides?
2. Exposure to Grease and Oil: When grease builds up on its surface, the belt can soften or swell.
3. Glazed Sidewalls: A belt with hard, slick sides — a sign of glazing — doesn't function properly because it's slipping. Glazing also creates a chattering, slapping or squealing noise.

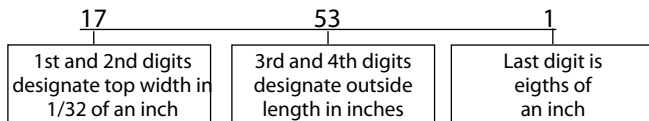
All this can cause improper functioning of the driven accessory, like the alternator or water pump.

4. Peeling: When its undersurface peels, the belt becomes uneven, causing rough operation and failure.

### Continental Elite® V-Belts

The V-belt features high-strength tension members that resist shock-load failure. Its low elongation properties assure uniform performance over the life of the belt. The tough, synthetic cogs and fiber-reinforced rubber helical cogs provide greater flexibility that reduces cracking and fatigue in the cushion section. The full V Design features rubber edges that maintain positive, no-slip contact with pulley grooves for reliable energy transfer.

Functional Part Number Gives You The Size Of The Belt



Part number 17531 is a V-belt, with a top width of 17/32 inch and a length of 53-1/8 inches.

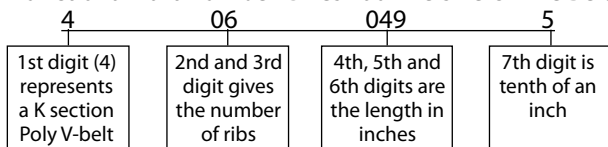


### Continental Elite® Poly-V® Belts

The Poly-V® belt features a tooth profile unique to the industry. Its advanced compounds resist heat and cracking to create a more flexible, cooler running belt for greater wear resistance. This innovative technology is trusted by professional race car drivers and their crews, used on today's NASCAR® stock cars.

**Elite® Poly-V® Belts with Quiet Channel Technology™ Advanced variable cog design practically eliminates noise and slippage.**

Functional Part Number Gives You The Size Of The Belt



Part number 4060495 would be a K section Poly-V belt, six ribs wide, with a length of 49 and 5/10 inches.



**CLUTCHES****Eaton® (OUTRIGHT) Dampened Ceramic Clutches**

| Clutch Size | Spline Size  | Facing Material  | Torque Rating Lbs. Ft. | Part No.          |
|-------------|--------------|------------------|------------------------|-------------------|
| 15.5"       | 2" 10 Spline | Dampened Ceramic | 1400                   | <b>107091-81B</b> |
| 15.5"       | 2" 10 Spline | Dampened Ceramic | 1650                   | <b>107091-74B</b> |

**Eaton® (OUTRIGHT) Easy-Pedal Plus® Clutches**

| Clutch Size | Spline Size  | Facing Material  | Torque Rating Lbs. Ft. | Part No.           |
|-------------|--------------|------------------|------------------------|--------------------|
| 14"         | 2" 10 Spline | Dampened Ceramic | 1400                   | <b>108050-59AM</b> |
| 15.5"       | 2" 10 Spline | Dampened Ceramic | 1650                   | <b>108391-74AM</b> |
| 15.5"       | 2" 10 Spline | Dampened Ceramic | 1860                   | <b>108925-20AM</b> |
| 15.5"       | 2" 10 Spline | Dampened Ceramic | 2050                   | <b>108925-25AM</b> |
| 15.5"       | 2" 10 Spline | Dampened Ceramic | 1700                   | <b>108925-82AM</b> |

**Eaton® (OUTRIGHT) Easy Pedal Advantage Series™ Clutch**

| Clutch Size | Spline Size  | Facing Material  | Torque Rating Lbs. Ft. | Part No.         |
|-------------|--------------|------------------|------------------------|------------------|
| 15.5"       | 2" 10 Spline | Dampened Ceramic | 1700                   | <b>208925-82</b> |

**Eaton® (OUTRIGHT) Solo Advantage™ Clutch**

| Clutch Size | Spline Size  | Facing Material  | Torque Rating Lbs. Ft. | Part No.         |
|-------------|--------------|------------------|------------------------|------------------|
| 15.5"       | 2" 10 Spline | Dampened Ceramic | 1700                   | <b>209701-82</b> |

**Eaton® (OUTRIGHT) Medium Duty Clutch - 14.4 x 1-3/4 pull, ceramic button.**

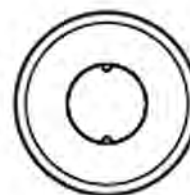
| Engine                         | Transmission  | Linkage   | Part No.        | Description                                   |
|--------------------------------|---------------|-----------|-----------------|---|
| All 6 cylinder (up to 1166 Nm) | Eaton Synchro | Hydraulic | <b>104200-1</b> | 365mm, twin plate, ceramic, 6 cylinder damper |

**Clutch Parts**

| Part No.        | Description                      |
|-----------------|----------------------------------|
| <b>105C-137</b> | Yoke clutch release              |
| <b>127200</b>   | Kwik-Konnect® 2" clutch brake    |
| <b>127740</b>   | 1-3/4" 10 spline clutch brake    |
| <b>127760</b>   | 2" 10 spline clutch brake        |
| <b>128C-20</b>  | Bushing clutch shaft             |
| <b>SB200</b>    | Clutch brake, Babcock, 2", 2 pc. |

**Heavy Duty Clutch Brakes**

Kwik-Konnect



Torque Limiting



| SPLINE     | DESCRIPTION     | PART#  |
|------------|-----------------|--------|
| 1.75" - 10 | Torque Limiting | 127740 |
| 2" - 10    | Kwik-Konnect    | 127200 |
|            | Torque Limiting | 127760 |



## HALDEX CLUTCHES

### HALDEX EZ-N-LITE®

| Part #     | Interchanges                       | Description  |
|------------|------------------------------------|--|
| HN10892582 | Eaton 108925-82B, Ace EZ108925-82B | 15.5x2x10, 2 plate, 4000 lb. plate load, 1650 torque |

**New-Outright. No Core. 1 Year Warranty.**  
**50% Less Pedal effort than the OEMS.**



#### Exclusive Features:

- Swiveling spring seat cradle.
- Floating drive arrangement.
- Large cover windows.
- Standardized plate force by size.

#### Benefit:

- Decreased pedal effort, increased driver comfort.
- Reduced sub-assembly wear, optimum performance.
- Increased heat dissipation longer life.

**Start enjoying the benefits of the EZ-N-LITE® Clutch today!**

### Part No. N2468K - Clutch Installation Kit

Kit fits most popular Fuller Transmissions.

Kit Includes: 4 clutch release shaft bearings,

1 front bearing cover gasket, 1 input shaft ring (outer),

1 Input shaft snap ring (inner), 1 shaft lever tower gasket,

1 front bearing cover, 1 clutch housing gasket,

1 input shaft bearing, 1 pilot bearing, 1 input shaft assy,

1 clutch release form,

1 hinged clutch brake

**Input Shaft Size: 2" x 10 Tooth x 18 Spline**

**Application: RT Series**



### Haldex Hinge Clutch Brakes

| Part No. | Description  |
|----------|--|
| BK312    | Hinge Clutch Brake, 1-3/4" spline, outside diameter 4-1/8" |
| BK313    | Hinge Clutch Brake, 2" spline, outside diameter 4-1/8"     |





**ZEROSTART PRODUCTS - ENGINE HEATERS**

**ENGINE HEATERS**

**Part No. 350-0013**

Designed for use with CAT C10, C12.  
Immersion heater coolant.  
1500 watt, 120 volt.



**Part No. 350-0015**

Designed for use with CAT C7 ACERT (04-07)  
Freeze Plug.  
1000 watt, 120 volt.



**Part No. 350-0030**

Designed for use with Cummins B-Series  
(87-02) Freeze Plug.  
750 watt, 120 volt.



**Part No. 350-0038**

Designed for use with Cummins Signature 600.  
Immersion Heater Coolant.  
1500 watt, 120 volt.



**Part No. 350-0044**

Designed for use with  
Navistar DT Series Freeze Plug.  
1250 watt, 120 volt.



**Part No. 350-0077**

Designed for use with CAT C9/15/16 ACERT  
(04-06) Immersion Heater Coolant.  
1500 watt, 120 volt.



**Part No. 350-0107**

Designed for use with Cummins ISX  
1500 watt, 120 volt.



**Part No. 860-0015**

Designed for use with Cummins L10, M11,  
ISM Series, QSM11. Immersion Heater Coolant.  
1500 watt, 120 volt.



**Part No. 860-1046**

Designed for use with Cummins N series.  
Big Cam IV, 88NT, 444. Immersion Heater Coolant.  
1500 watt, 120 volt.



**Part No. 860-5556**

Designed for use with CAT C9, C15, C16  
Immersion Heater Coolant. 1500 watt, 120volt



**CORD KITS & MISC**

**Part No. 860-5505**

Weatherproof field-wired receptacle,  
zinc plated, 3 hole round. 120 volt.



**Part No. 860-5688**

Weatherproof field-wired receptacle,  
chrome plated, 4 hole square. 120 volt.



**Part No. 860-6005**

Weatherproof silicone cordset and  
chrome plated sq. receptacle.  
120V. 6 ft. 16ga wire, square plug.



**Part No. 860-8652**

Weatherproof cordset with silicone  
connector. 120V. 7 ft. 14ga. wire.



**Part No. 860-8814**

Weatherproof cordset with silicone  
connector. 120V. 10 ft. 14ga. wire.



**Part No. 360-0008**

Power cord for use with most  
"860" & "350" series 120Volt heaters.



**Part No. 360-0058**

1/2" NPT thermostat only.  
55°F/75°F (on/off)



**Part No. 360-0065**

Series Y-Cord. (Standard Plug)  
120Volt, 2 Lengths 6 ft., 16 gauge



**Part No. 340-0037**

Flexible filter wrap  
fuel warmer. 100Watt, 120Volt.



**Part No. 820-3237**

E-Z Stock, E-Z Mount Electrical Kit (12 Volt)  
**Kit includes:** 3 atomizers (8202966, 8202974,  
8202982), switch, valve fitting, 48" nylon tube, dash  
decal, 16 gauge wire, valve and mounting brackets,  
surface-mount thermostat.



**Part No. 820-0327**

Starting fluid cylinder, 1" neck, 18 ounces.





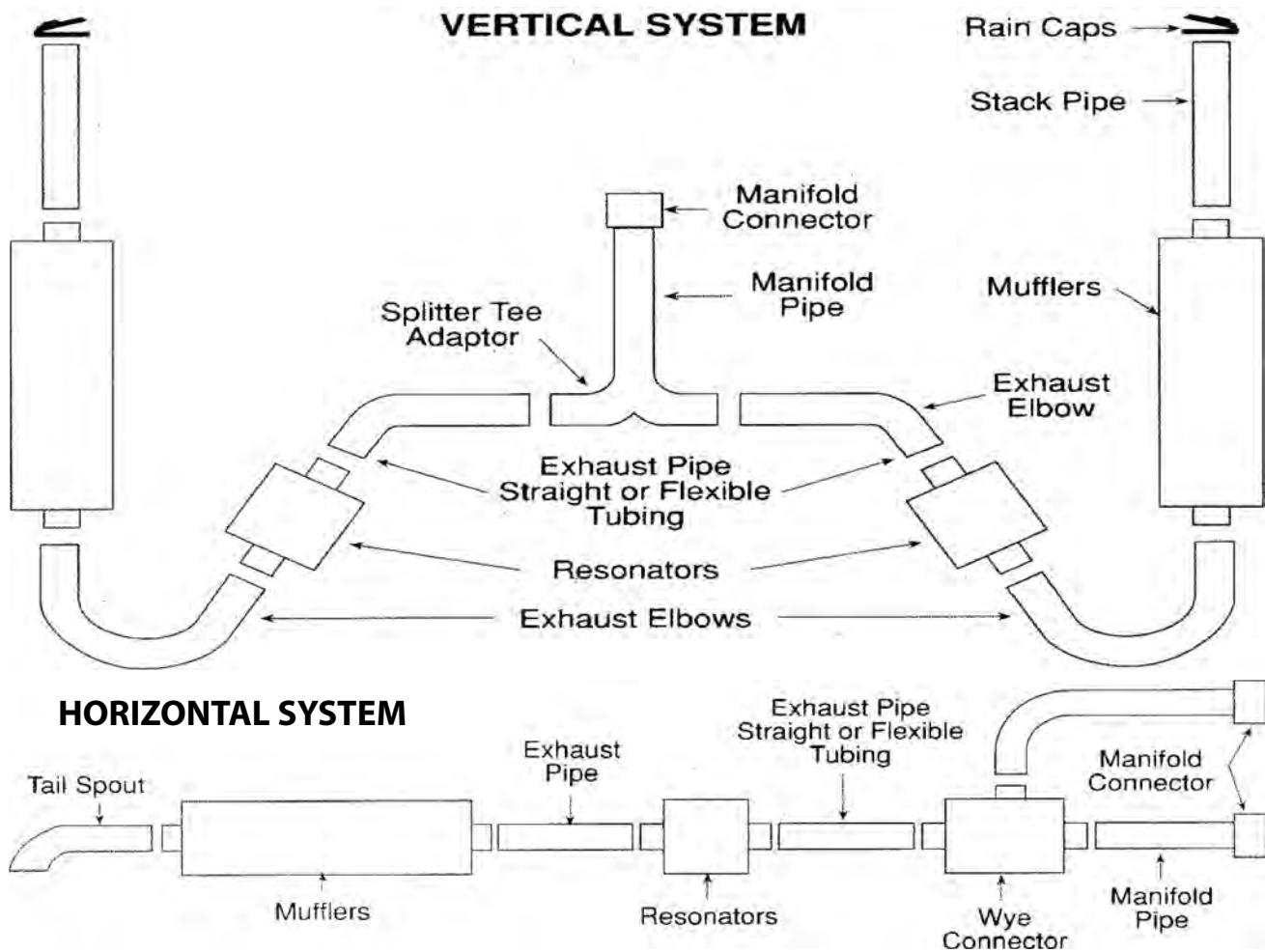
## HEAVY DUTY EXHAUST COMPONENTS

**WALKER**  
COMMERCIAL VEHICLE

- Heavy Duty
- Aluminized Steel Construction
- All Parts Shown Available From Stock



## GENERAL INFORMATION



### WELDING ALUMINIZED STEEL

1. **OXYACETYLENE WELDING** Filler Metal: Use a mild steel filler metal, 3/32" diameter, free of rust.

(American Welding Society classification A5.2) DO NOT use copper coated filler material.

Welding equipment: Use a number 3 or 4 tip. Observe instructions of the equipment manufacturer when adjusting the operating pressures at the gas regulators.

Procedure: Clean the parts to be welded thoroughly. Incline the torch at a 45° angle from the direction of travel.

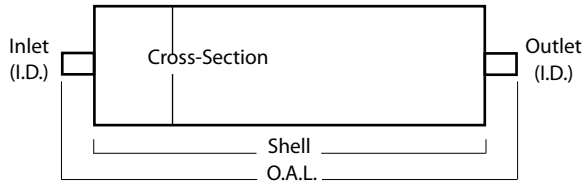
Use the forehand welding technique. Keep the torch flame on the tip of the filler rod, not in the center of the puddle.

2. **SHIELDED METAL-ARC** (Stick electrode) Any one of the following rods are recommended: Raco Fer-A1

(Reid-Avery co.), E-6011 (P.&H.), Fleetwood 47 (Lincoln), W-52 (General Electric), Flex-Arc LOH-2

(Westinghouse), Stainless Steel Rods Type 309 or 310 and Low Hydrogen Rods E-7015, E-7016, or E-7018.

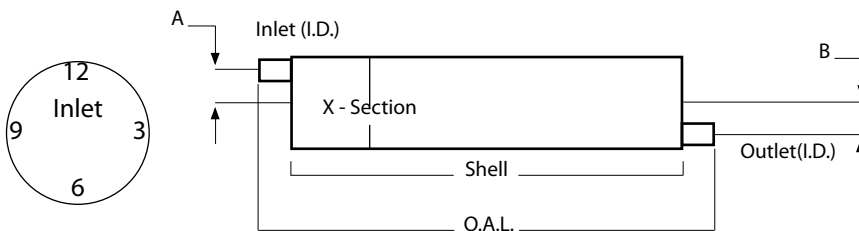
3. **GAS METAL-ARC** (MIG) Carbon Dioxide shielding gas is used with A-675 Airco Wire.

**STYLE 1 MUFFLERS - CENTER TO CENTER****STYLE 1 MUFFLER DIMENSIONS**

| Part Number | Inlet I.D. | Cross Section | Shell Length | Overall Length | Outlet I.D. | Installation Notes |
|-------------|------------|---------------|--------------|----------------|-------------|--------------------|
| 21838W      | 4          | 8.375         | 33.5         | 40             | 4           | A                  |
| 22936W      | 4          | 9             | 44           | 51             | 4           | A                  |
| 22941W      | 4          | 9             | 44.5         | 51             | 5           | A                  |
| 22916W      | 4          | 10            | 45           | 51.5           | 4           | A                  |
| 22962W      | 4          | 10            | 44           | 51             | 5           | —                  |
| 21835W      | 5          | 9             | 11.5         | 20             | 5           | A                  |
| 22771W      | 5          | 9             | 19           | 26             | 5           | A                  |
| 22940W      | 5          | 9             | 44.5         | 51             | 5           | A                  |
| 22963W      | 5          | 10            | 44           | 51             | 5           | MF                 |
| 22920W      | 5          | 10            | 44           | 51             | 5           | A                  |
| 22980W      | 5          | 10            | 44           | 51             | 5           | NB                 |

**Installation Notes:**

- A** Arc Welded
- B** Threaded.
- C** Stainless.
- D** Spout.
- MF** Mega Flow Muffler.
- NB** Noise Braker Muffler.

**STYLE 2 MUFFLERS - OFFSET TO OFFSET**

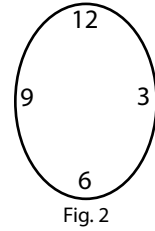
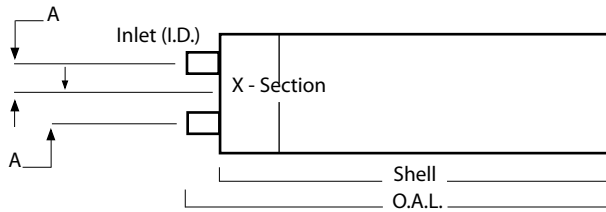
To locate the outlet connection:  
View muffler from inlet end with inlet connection near 12 o'clock.  
Outlet will be located clockwise from inlet per chart.

**STYLE 2 - MUFFLER DIMENSIONS**

| Part Number | Inlet I.D. | Cross Section | Shell Length | Overall Length | Outlet I.D. | "A" Inlet Offset | "B" Outlet Offset | Inlet Position | Outlet Position |
|-------------|------------|---------------|--------------|----------------|-------------|------------------|-------------------|----------------|-----------------|
| 22551W      | 3.5        | 8.25 X 11.5   | 30.0         | 36.0           | 4.0         | 2.75             | 2.5               | 12             | 6               |
| 22004W      | 4.0        | 8.25 X 11.5   | 27.0         | 33.0           | 4.0         | 2.5              | 2.5               | 12             | 6               |
| 22449W      | 4.0        | 8.25 X 11.5   | 31.5         | 37.5           | 4.0         | 2.5              | 2.5               | 12             | 6               |
| 22888W      | 4.0        | 11.125        | 36.0         | 42.0           | 4.0         | 2.5              | 2.5               | 12             | 6               |



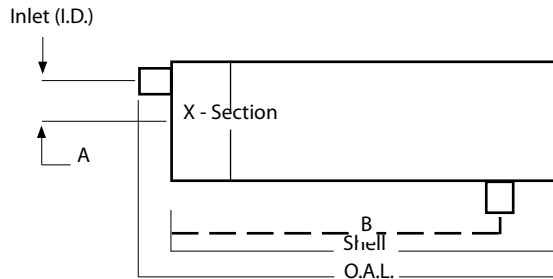
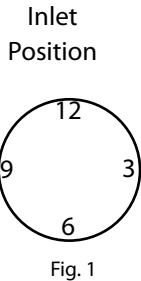
**STYLE 4 MUFFLER**



**Style 4 - Muffler Dimension**

| Part Number | Inlet I.D. | Cross Section | Shell Length | Overall Length | Outlet I.D. | "A" Inlet Offset | "B" Outlet Offset |
|-------------|------------|---------------|--------------|----------------|-------------|------------------|-------------------|
| 22971W      | 5          | 10x15         | 44           | 47             | 5           | 3.59             | 3.59              |

**STYLE 9 MUFFLER**



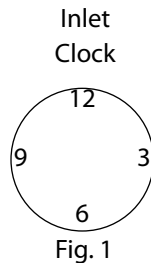
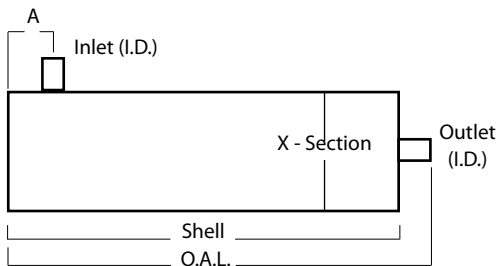
To locate the outlet connection:  
View muffler from inlet end with inlet connection near 12 o'clock.  
Outlet will be located clockwise from inlet per chart.



**STYLE 9 - MUFFLER DIMENSIONS**

| Part Number | Inlet I.D. | Outlet I.D. | Cross Section | Body Length | Outlet I.D. | "A" Inlet Offset | "B" Outlet Offset | Fig. Position | Inlet Position |
|-------------|------------|-------------|---------------|-------------|-------------|------------------|-------------------|---------------|----------------|
| 22664W      | 4.0        | 4.0         | 11.1          | 36.0        | 1.5         | 28.5             | 3.0               | 6             | 12             |
| 21969W      | 4.0        | 4.0         | 10.0          | 28.0        | 1.5         | 28.5             | 3.0               | 6             | 12             |

**STYLE 10 MUFFLER**



To locate the outlet connection:  
View muffler from inlet end with inlet connection near 12 o'clock.  
Outlet will be located clockwise from inlet per chart.

**STYLE 10 - MUFFLER DIMENSIONS**

| Part Number | Inlet I.D. | Cross Section | Shell Length | Overall Length | Outlet I.D. | "A" Inlet Offset | "B" Outlet Offset | Fig. | Inlet Position | Outlet Position |
|-------------|------------|---------------|--------------|----------------|-------------|------------------|-------------------|------|----------------|-----------------|
| 22915W      | 5.0        | 10.0          | 44.0         | 48.0           | 5.0         | 6.0              | -                 | 1    | 12             | -               |

**EXHAUST COMPONENTS - HANGERS****UNIVERSAL PIPE HANGERS**

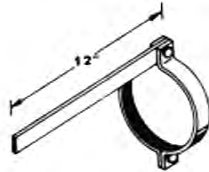
Clamp and hanger strap are made of heavy gauge steel to hold tail pipe and exhaust pipe. Fits Pipe 4. 12" size

**Part No. 35853W**

**UNIVERSAL MUFFLER HANGER**

Heavy duty muffler body clamp and hanger strap. The strap can be bent and twisted to fit the installation. Use for horizontal or vertical mount. Use two for maximum rigidity.

| Part Number | Body Diameter  |
|-------------|----------------|
| 35733W      | 8-1/4 X 11-1/2 |
| 35972W      | 9              |
| 35983W      | 10             |
| 35899W      | 11-1/8         |

**SWIVEL HANGERS**

Specially designed hanger, engineered to solve essentially any hanger situation. Hanger swings from 0° to +/- 45° and also has complete 360° rotation.

| Part Number | Length |
|-------------|--------|
| 35103W      | 9.5"   |
| 35898W      | 17"    |

**CLAMP KIT**

For 10.12 diameter muffler guard, 1/2 wrap.

**Part Number 35933W**

**RAIN CAPS****RAIN CAPS**

Single bolt mounting. Heavy duty welded assembly. Precision balanced.

| Part Number | Size |
|-------------|------|
| 35618W      | 3"   |
| 35907W      | 4"   |
| 35910W      | 5"   |





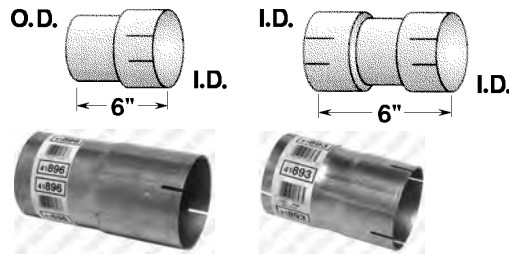


**EXHAUST COMPONENTS - CONNECTORS**

16 Gauge Aluminized Steel

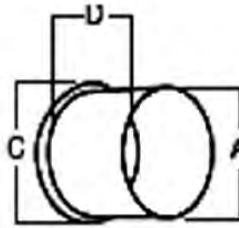
**Part Number**

| Diameter | OD-ID  | ID-ID  |
|----------|--------|--------|
| 3-1/2"   | N/A    | 41893W |
| 4"       | 41896W | 41895W |
| 5"       | 41897W | 41899W |



**Flared Adapters.**  
(Cummins Applications.)  
All 'A' measurements OD.

| Part No. | A | C    | D | Degree |
|----------|---|------|---|--------|
| 41653W   | 4 | 4.5  | 5 | 45°    |
| 41654W   | 5 | 5.5  | 5 | 45°    |
| 41655W   | 5 | 5.72 | 3 | 20°    |

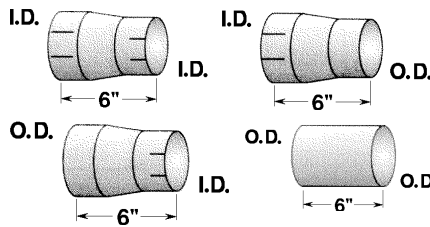


**REDUCERS**

**Reducers - All Types - 6" long**

16 Gauge Aluminized Steel

| Part No. | Diameter | Type  |
|----------|----------|-------|
| 41991W   | 4x3.5"   | OD-ID |
| 41898W   | 5x4"     | ID-ID |
| 41909W   | 5x4"     | ID-OD |
| 41994W   | 5x4"     | OD-ID |
| 41891W   | 5x4"     | OD-OD |



**MUFFLER HEAT GUARD CLAMP KITS**

**MUFFLER GUARD - CLAMP KITS**

2 clamps per kit. For 180° use. Stainless mounting hardware.

| Part Number | Information   |
|-------------|---|
| 35370W      | For 270° use. Chrome Clamp kit for 10' muffler. (2 clamps)              |
| 35933W      | 3/4 wrap. 3 standoffs for 1/2 wrap, 4 for 3/4 wrap. For 10.12" diameter |

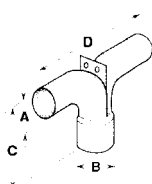


**SPLIT TEE ADAPTER TUBE**

**SPECIAL TUBE - Splitter Tee Adapter Tube**

Converts single system exhaust pipe into a dual system.

| A (OD) | B (ID) | C  | D  | Part Number |
|--------|--------|----|----|-------------|
| 5      | 5      | 15 | 25 | 40364W      |



**EXHAUST COMPONENTS - STACK PIPES CURVED****Walker Stack Pipes - Curved - I.D.**

16 Gauge Aluminized Steel

| Part No. | I.D. | Length | Type       |
|----------|------|--------|------------|
| 44299W   | 4"   | 48"    | Aluminized |
| 43321W   | 5"   | 36"    | Aluminized |



I.D.

**Walker Stack Pipes - Curved - O.D.**

16 Gauge Aluminized Steel

Bright, Exceptional Quality Chrome

| Part No. | O.D. | Length | Type          |
|----------|------|--------|---------------|
| 29202W   | 5"   | 24"    | Chrome Plated |
| 43719W   | 5"   | 36"    | Aluminized    |
| 29308W   | 5"   | 36"    | Chrome Plated |
| 44638W   | 5"   | 48"    | Aluminized    |
| 29403W   | 5"   | 48"    | Chrome Plated |
| 45727W   | 5"   | 60"    | Aluminized    |
| 29503W   | 5"   | 60"    | Chrome Plated |



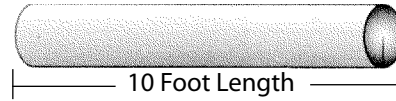
O.D.

**STRAIGHT TUBING****Straight Tubing - O.D. - 10 foot lengths**

14 Gauge Aluminized Steel

16 Gauge Cold Rolled

| Part No. | O.D.   | Type                  |
|----------|--------|-----------------------|
| 49159W   | 3"     | Aluminized            |
| 49011W   | 3-1/2" | Cold Rolled           |
| 49160W   | 3-1/2" | Aluminized            |
| 49012W   | 4"     | Cold Rolled           |
| 49161W   | 4"     | Aluminized            |
| 49015W   | 5"     | Cold Rolled           |
| 49162W   | 5"     | Aluminized            |
| 49064W   | 5"     | Aluminized - 16 gauge |



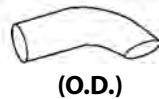
10 Foot Length

OD

**TAIL SPOUTS - TAIL PIPES****Walker Tail Spouts - Tail Pipes**

Aluminized Steel - O.D.

| Part No. | O.D. | Length       |
|----------|------|--------------|
| 41097W   | 4"   | 12"          |
| 42129W   | 4"   | 18"          |
| 42130W   | 5"   | 18"          |
| 29102W   | 5"   | 18" (Chrome) |

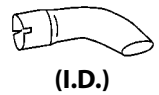


(O.D.)

**Walker Tail Spouts - Tail Pipes**

Aluminized Steel - I.D.

| Part No. | I.D. | Length |
|----------|------|--------|
| 42447W   | 4"   | 12"    |
| 42716W   | 5"   | 18"    |



(I.D.)

**MUFFLER HEAT GUARD****Part Number****Size****29044W 180°, 1/2", 8.5" x 10.5" x 48" (horizontal slots)**

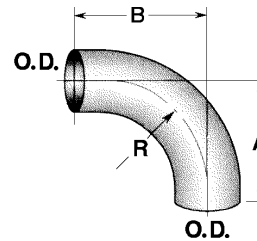
Stainless Steel Muffler Heat Guard without Mounting Clamps.





**90 DEGREE SHORT RADIUS ELBOWS, OD - OD**

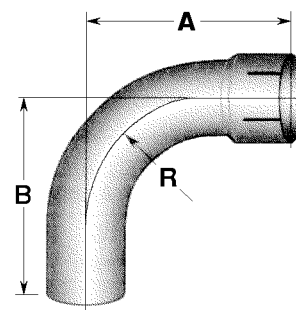
| Diameter | Leg Length |    | Center Line Radius (R) | Part Number<br>Aluminized |
|----------|------------|----|------------------------|---------------------------|
|          | A          | B  |                        |                           |
| 4        | 8          | 8  | 4                      | 41474W                    |
| 5        | 10         | 10 | 6                      | 41832W                    |
| 5        | 5          | 5  | 5-1/2                  | 41224W                    |



**90 DEGREE ELBOWS, ID-OD**

| Diameter | Leg Length |     | Center Line Radius (R) | Part Number<br>Aluminized |
|----------|------------|-----|------------------------|---------------------------|
|          | A          | B   |                        |                           |
| 3        | 8          | 8   | 6                      | 41365W                    |
| 3        | 14         | 14  | 6                      | 42759W                    |
| 3-1/2    | 9          | 9   | 6                      | 41366W                    |
| 3-1/2    | 16         | 16  | 6                      | 42185W                    |
| 4        | 6          | 6   | 4-1/2                  | 41630W                    |
| 4        | 10         | 10  | 6                      | 41378W                    |
| 4        | 10         | 10  | 8                      | 41367W                    |
| 4        | 12         | 12  | 6                      | 41472W                    |
| 4        | 18         | 18  | 6                      | 42937W                    |
| 5        | 10         | 10  | 5-1/2                  | 42763W                    |
| 5        | 8.5        | 8.5 | 6                      | 41769W                    |
| 5        | 12         | 12  | 6                      | 41532W                    |
| 5        | 15         | 15  | 8                      | 42858W                    |
| 5        | 18         | 18  | 8                      | 42938W                    |

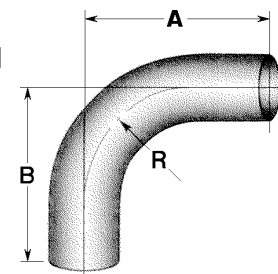
One End O.D., One End I.D. Slotted  
16 Gauge Aluminized Steel.



**90 DEGREE ELBOWS, OD - OD**

| Dia. | Leg Length |    | Center Line Radius (R) | Part Number<br>Aluminized |
|------|------------|----|------------------------|---------------------------|
|      | A          | B  |                        |                           |
| 4    | 12         | 12 | 6                      | 41473W                    |
| 4    | 18         | 18 | 6                      | 42857W                    |
| 5    | 12         | 12 | 6                      | 41436W                    |
| 5    | 10         | 10 | 8                      | 41832W                    |
| 5    | 15         | 15 | 8                      | 42939W                    |
| 5    | 20         | 20 | 8                      | 42940W                    |

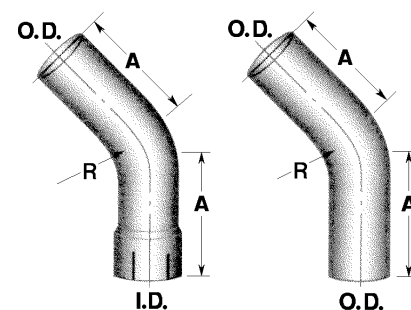
Both Ends O.D.  
16 Gauge Aluminized Steel



**45 DEGREE ELBOWS**

| Diameter | A-A Length                           | Center Line Radius (R) | Part Number      |                  |
|----------|--------------------------------------|------------------------|------------------|------------------|
|          |                                      |                        | ID-OD Aluminized | OD-OD Aluminized |
| 3-1/2    | 8-8                                  | 7                      | 42761W           |                  |
| 4        | 9 <sup>5/16</sup> -9 <sup>5/16</sup> | 8                      | 42758W           | 41430W           |
| 4        | 12-12                                | 6                      | 42246W           |                  |
| 5        | 8-8                                  | 8                      | 41477W           | 41431W           |
| 5        | 8-8                                  | 10                     |                  | 41476W           |
| 5        | 12-12                                | 8                      | 42855W           |                  |
| 5        | 15-15                                | 8                      | 53042W           |                  |

16 Gauge Aluminized Steel



**EXHAUST COMPONENTS - EXHAUST CLAMPS****Torca TorcTite® Preformed Wide Clamps**

Aluminized

| Part No.      | Size   |
|---------------|--------|
| <b>33968W</b> | 3-1/2" |
| <b>33969W</b> | 4"     |
| <b>33970W</b> | 5"     |

Stainless

|               |        |
|---------------|--------|
| <b>33222W</b> | 3"     |
| <b>33223W</b> | 3-1/2" |
| <b>33224W</b> | 4"     |
| <b>33225W</b> | 5"     |

**Torca EasySeal® Flat Band Clamps**

| Part No.      | Size | Type      |
|---------------|------|-----------|
| <b>35975W</b> | 5.0" | Stainless |
| <b>35976W</b> | 4.0" | Stainless |
| <b>35977W</b> | 3.5" | Stainless |
| <b>35978W</b> | 3.0" | Stainless |
| <b>35979W</b> | 2.5" | Stainless |
| <b>35980W</b> | 6.0" | Stainless |

**Walker Mega Clamps - Lap Joint**

| Part No.      | Size | Type       |
|---------------|------|------------|
| <b>33272W</b> | 3.0" | Stainless  |
| <b>33273W</b> | 3.5" | Stainless  |
| <b>33274W</b> | 4.0" | Stainless  |
| <b>33276W</b> | 5.0" | Stainless  |
| <b>33288W</b> | 5.0" | Aluminized |

**Torca Accuseal® Clamp**

| Part No.      | Size | Type        |
|---------------|------|-------------|
| <b>35228W</b> | 5"   | Single Bolt |

**Walker V Band Clamps**

| Part No.      | Tube Diameter |
|---------------|---------------|
| <b>35036W</b> | 4.25"         |
| <b>35805W</b> | 4"            |
| <b>35500W</b> | 5"            |
| <b>35806W</b> | 5"            |

**Walker Guillotine Clamp**

| Part No.      | Size   | Type        |
|---------------|--------|-------------|
| <b>35787W</b> | 3-1/2" | -           |
| <b>35788W</b> | 4"     | Zinc Plated |
| <b>35373W</b> | 4-1/2" | -           |
| <b>35789W</b> | 5"     | Zinc Plated |
| <b>35409W</b> | 6"     | Zinc Plated |

**Guillotine**

Forms 360° Seal

**Walker Flat Band U-Bolt Clamp**

| Part No.      | Size | Type          |
|---------------|------|---------------|
| <b>35799W</b> | 4"   | Zinc Plated   |
| <b>35800W</b> | 5"   | Zinc Plated   |
| <b>35777W</b> | 5"   | Chrome Plated |

**Walker SealClamp® Flat Band Clamp**

| Part No.      | Size | Type      |
|---------------|------|-----------|
| <b>35936W</b> | 3.5" | Stainless |
| <b>35937W</b> | 4.0" | Stainless |
| <b>35938W</b> | 5.0" | Stainless |





## FLEETCRAFT EXHAUST CLAMPS

Our mission is simple; to get the best from our parts. Fleetcraft Exhaust Clamps are doing just that. Armed with the revolutionary I-block assembly connection, they provide for the complete prevention of noise and exhaust leaks in either pipe-to-pipe OR pipe-to-flex applications.

### Aluminum Preformed Clamp

| Part No. | Size |
|----------|------|
| 1410640  | 4"   |
| 1410650  | 5"   |



All preformed clamps are LAP JOINT. These pre-formed clamps come with I-Block. The I-Block connector provides a complete seal while equalizing stretch force distribution for both pipe/pipe or pipe/flex applications.

### Stainless Steel Preformed Clamp

| Part No. | Size |
|----------|------|
| 1410740  | 4"   |
| 1410750  | 5"   |

Preformed clamps with I-Block: Provides a secure leak-proof seal, exactly like the industry standard. •Preattached hardware makes installation a breeze. Grade 8 fasteners.

### Aluminum Flat Band Clamp

| Part No. | Size |
|----------|------|
| 1410240  | 4"   |
| 1410250  | 5"   |

### Stainless steel flat band clamp

| Part No. | Size |
|----------|------|
| 1410330  | 3"   |
| 1410335  | 3.5" |
| 1410340  | 4"   |
| 1410350  | 5"   |



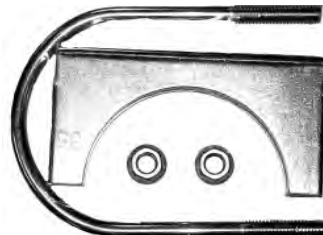
### Guillotine Zinc Plated Clamp

| Part No. | Size |
|----------|------|
| 1410530  | 3"   |
| 1410535  | 3.5" |
| 1410540  | 4"   |
| 1410550  | 5"   |



### Welded Side Saddle Clamp

| Part No. | Size |
|----------|------|
| 1410430  | 3"   |
| 1410435  | 3.5" |
| 1410440  | 4"   |
| 1410450  | 5"   |



**FLEX TUBING - GALVANIZED AND STAINLESS STEEL****Flex Tubing - For O.D. tubing to I.D. slotting and for joining O.D. tubing to I.D. flexible tubing.**

Conforms to shape of pipe or flex.

Prevents pipe distortion.

No disconnecting pipes required.

Maintenance-free.

No welding required.

**GALVANIZED**

| Part No.    | Diameter | Length in Feet |
|-------------|----------|----------------|
| 1410030-120 | 3"       | 10'            |
| 1410035-120 | 3.5"     | 10'            |
| 1410035     | 3.5"     | 25'            |
| 1410040-120 | 4"       | 10'            |
| 1410040     | 4"       | 25'            |
| 1410050-120 | 5"       | 10'            |
| 1410050     | 5"       | 25'            |

**STAINLESS STEEL**

| Part No.    | Diameter | Length in Feet |
|-------------|----------|----------------|
| 1410130-120 | 3"       | 10'            |
| 1410135-120 | 3.5"     | 10'            |
| 1410140-120 | 4"       | 10'            |
| 1410140     | 4"       | 25'            |
| 1410150-120 | 5"       | 10'            |
| 1410150     | 5"       | 25'            |

**Flex Tubing in other pre-cut lengths (Inches)****GALVANIZED**

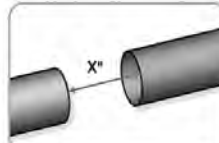
| Part No.   | Diameter | Length in Inches |
|------------|----------|------------------|
| 1410030-18 | 3"       | 18"              |
| 1410035-24 | 3.5"     | 24"              |
| 1410040-18 | 4"       | 18"              |
| 1410040-24 | 4"       | 24"              |
| 1410040-36 | 4"       | 36"              |
| 1410050-18 | 5"       | 18"              |
| 1410050-24 | 5"       | 24"              |
| 1410050-36 | 5"       | 36"              |

**STAINLESS STEEL**

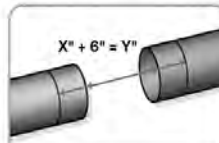
| Part No.   | Diameter | Length in Inches |
|------------|----------|------------------|
| 1410130-24 | 3"       | 24"              |
| 1410135-36 | 3.5"     | 36"              |
| 1410140-12 | 4"       | 12"              |
| 1410140-18 | 4"       | 18"              |
| 1410140-24 | 4"       | 24"              |
| 1410140-36 | 4"       | 36"              |
| 1410150-12 | 5"       | 12"              |
| 1410150-18 | 5"       | 18"              |
| 1410150-24 | 5"       | 24"              |
| 1410150-36 | 5"       | 36"              |

**How to Measure:**

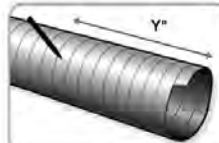
When you are ready to put Flex Pipe to use, follow these instructions for determining the length to cut the pipe. NOTE: All flexible metal tubing is measured fully extended.



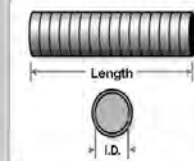
Determine the length (X") of pipe needed for your application by measuring the gap between the two pipes you intend to connect.



Allow a 3" overlap for each end (add 6" to the measurement from above). This is the length (Y") of Flex Pipe needed.



Measure distance needed from the far right side inward. Wrap area to be cut with duct tape. Use a marker to draw a cut guide on the tape. Flex Pipe is now ready to be cut. Cut through the tape. Remove tape from Flex Pipe before using.

**How to Order:**

Determine your usage needs. Flex Pipe is sold in a variety of lengths, including precut lengths. All lengths range from 1" to 6" in diameter. Refer to the chart on the reverse side to determine your desired part number. Order by part number, not by the foot.

**IMPORTANT:**

When measuring and cutting, keep the open side of the Flex Pipe to your right. To determine the open end, turn the end of the pipe toward you and look for the rings to wrap on top.

**How to Cut:**

There are three ways to cut Flex Pipe. Select a method that suits your equipment.



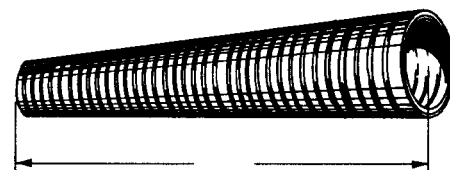
**CHOP SAW:** For best results, use a 1/16" wide blade. Make sure the Flex Pipe has the open side facing to the right. Align and secure pipe so the cut guide lines up with the Chop Saw blade, and cut.



**BAND SAW:** For best results, use a no-set blade with 24/32 teeth/inch. Make sure Flex Pipe has the open side facing to the right. Align and secure pipe so the cut guide lines up with the Band Saw blade, and cut.



**HACK SAW:** For best results, use a no-set blade with 24/32 teeth/inch. Make sure Flex Pipe has the open side facing to the right. Align and secure pipe, and cut on the guide line.





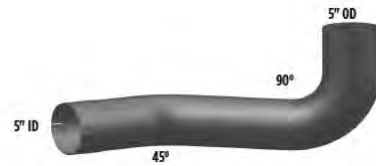
## GRAND ROCK EXHAUST

### Kenworth Replacement Exhaust

| Part No.          | Description   |
|-------------------|---|
| <b>KW-13637</b>   | Elbow, 45°, 5" OD-OD.<br>(OEM Number K180-13637)          |
| <b>KW-14122</b>   | Pipe with 27° bends, 5" OD-OD.<br>(OEM Number K180-14122) |
| <b>KW-14764L</b>  | Elbow, multibend, 5" ID-OD.<br>(OEM Number K180-14764)    |
| <b>KW-14764R</b>  | Elbow, multibend, 5" ID-OD.<br>(OEM Number K180-14764R)   |
| <b>KW-18028</b>   | Y pipe, 5" OD.<br>(OEM Number K180-18028)                 |
| <b>KW-18531</b>   | Elbow, 5" OD-OD.<br>(OEM Number K180-18531)               |
| <b>KW-8049</b>    | Elbow, 47°, 5" OD-OD.<br>(OEM Number K180-8049)           |
| <b>T588-6PYRO</b> | Connector, 5" flared.<br>(OEM Number K130-166)            |



EXHAUST SYSTEMS





## POPULAR FILTER CROSS REFERENCE

| Baldwin           | Donaldson | Fleetguard | Fram    | Luber-finer | Wix   |
|-------------------|-----------|------------|---------|-------------|-------|
| <b>B99*</b>       | P554005   | LF691A     | PH3335  | LFP4005     | 51792 |
| <b>BT230</b>      | P555570   | LF3342     | PH3519  | LFP5570     | 51268 |
| <b>BT364</b>      | P555680   | LF654      | PH36    | LFP791      | 51261 |
| <b>BF614</b>      | P551712   | FF5264     | P3375   | LFF5823B    | 33374 |
| <b>BF1268</b>     | P551743   | FS19683    | —       | —           | 33005 |
| <b>B7299</b>      | P551808   | 3933642ZF  | —       | LFP4005RN   | —     |
| <b>B7402</b>      | P550788   | —          | —       | —           | —     |
| <b>BF7587</b>     | P551311   | FF5319     | P8335   | LFF2749     | 33674 |
| <b>B7600*</b>     | P554004   | LF3675     | PH49A   | LFP3191     | 51791 |
| <b>BF7632</b>     | P551314   | FF5309     | PH490   | LFF4783     | 33377 |
| <b>BF7633</b>     | P551740   | FF5245     | P8334   | LFF3347     | 33356 |
| <b>B7700</b>      | P551807   | —          | —       | —           | —     |
| <b>B96*</b>       | P551670   | LF670      | PH3612  | LFP670      | 51870 |
| <b>BD103*</b>     | P553000   | LF3000     | PH6349  | LFP3000     | 51748 |
| <b>BF957</b>      | P550105   | FF105      | P3528A  | LFF5        | 33109 |
| <b>BF1212</b>     | P558000   | FS1212     | PS3712  | LFF8000     | 33405 |
| <b>BF1259</b>     | P551000   | FS1000     | PS6829  | LFF1000     | 33406 |
| <b>BF1272-SP</b>  | P551022   | FS1022     | PS8689  | LFF1022     | 33422 |
| <b>BF1274-SP</b>  | —         | FS1007     | PS8688  | —           | 33423 |
| <b>BF1277-SP</b>  | P551040   | FS1040     | —       | LFF1007     | —     |
| <b>BW5071</b>     | P554071   | WF2071     | PR3908  | LFW4071     | —     |
| <b>BD7153</b>     | —         | LF9000     | PH8690  | LFP9000     | 57745 |
| <b>BD7154</b>     | P559000   | LF9001     | PH8691  | LFP9008     | 57746 |
| <b>B7177</b>      | —         | LF3937     | PH8942  | LFP3970     | 57182 |
| <b>BD7309</b>     | ELF7300   | LF9009     | HPH9500 | LFP3000XL   | 57500 |
| <b>BF7760</b>     | P552203   | FF2203     | —       | LFF2203     | 33691 |
| <b>BF7766</b>     | P552200   | FF2200     | P9644   | LFF2201     | 33711 |
| <b>BF7940</b>     | —         | FF5632     | —       | LFF5632     | —     |
| <b>B95*</b>       | P550911   | LF3333     | PH3612  | LFP911      | 51970 |
| <b>B495*</b>      | P552100   | LF3620     | PH7405  | LFP2160     | 51971 |
| <b>BW5137</b>     | P554744   | WF2051     | PR3304  | LFW4744     | 24071 |
| <b>BF5800</b>     | P556915   | FF5207     | P1146G  | LFP815FN    | 33118 |
| <b>BF5810</b>     | P556916   | FF5206     | P1147G  | LFP816FN    | 33120 |
| <b>BF5815</b>     | EFF7917   | FF5333     | —       | —           | —     |
| <b>BF5816</b>     | —         | —          | —       | —           | —     |
| <b>B2</b>         | P172525   | LF551A     | PH8A    | PH8A        | 51515 |
| <b>B96</b>        | P551670   | LF670      | PH3612  | LFP670      | 51870 |
| <b>B97</b>        | P554206   | LF703      | PH3426  | LFP4005SC   | 57604 |
| <b>B134</b>       | P550784   | LF3344     | PH3766  | LFP784      | 51742 |
| <b>B167</b>       | P557207   | LF3382     | PH3306A | LFP54       | 51797 |
| <b>BT261</b>      | P555616   | LF3316     | PH39    | PH675       | 51789 |
| <b>B299</b>       | —         | LF3560     | —       | LFP6241     | —     |
| <b>BF587,-D</b>   | P550587   | FF5271     | P5457   | LFF8928     | 33373 |
| <b>BF588</b>      | P552603   | FF5019     | P3380   | FP603       | 33338 |
| <b>BF888</b>      | P553855   | FF5067     | P1108   | LFF4293     | 33336 |
| <b>BF891</b>      | —         | —          | P1107   | LFP255F     | —     |
| <b>BF979</b>      | P555627   | FF5020     | P1118   | FP251F      | 33341 |
| <b>BF984</b>      | P552251   | FF196      | P9350   | LFP250F     | 33239 |
| <b>BF991</b>      | P553854   | FF5017     | P1117   | LFP143F     | 33339 |
| <b>BF1345,-SP</b> | P550729   | FS19547    | PS7170  | LFF3579     | 33232 |
| <b>B7030</b>      | P550367   | LF3883     | PH7138  | LFP2285     | 51799 |
| <b>B7039</b>      | P550371   | LF3630     | PH3786  | LFP2286     | 51734 |
| <b>P7235</b>      | P550528   | LF16166    | CH9549  | LP2016      | 57311 |
| <b>BD7250</b>     | P550656   | LF9025     | PH9971  | LFP9025     | 57744 |
| <b>BD7252</b>     | —         | LF9035     | —       | LFP9035     | 57051 |
| <b>BF7629</b>     | P551318   | FF5078     | P8191   | LFF3530     | 33403 |
| <b>PF7755</b>     | P550737   | FS19729    | —       | L9729F      | 33657 |
| <b>PF7779</b>     | P550657   | FS19684    | CS9970  | L9684F      | 33719 |
| <b>B76*</b>       | P553191   | LF667      | PH49A   | LFP2216     | 51791 |
| <b>BC110</b>      | P550286   | LF3416     | P6697   | LP2232      | 51417 |
| <b>BF876</b>      | P169097   | FF171      | P1110   | LFP218F     | 33218 |
| <b>BF877</b>      | P550219   | FF172      | P1109   | LFP219F     | 33219 |
| <b>BF976</b>      | P550431   | FF222      | P3431   | LFP431F     | 33216 |
| <b>BF1256</b>     | P554472   | FS19537    | PS8128  | LFF8472     | 33589 |
| <b>BW5178</b>     | P554860   | WF2015     | PR393   | LFW4860     | 24428 |
| <b>BW5179</b>     | P554422   | WF2022     | PR3433  | LFW4422     | 24429 |
| <b>BC7173</b>     | P550287   | CS41005    | P9302   | LP2273      | 57117 |
| <b>B7225</b>      | —         | LF3973     | PH9376  | LFP3236     | —     |
| <b>BC7228</b>     | P552206   | CS41010    | —       | LP3964      | 57706 |
| <b>BC7242</b>     | P552231   | CS41011    | P9520   | LP3985      | 57703 |
| <b>B7409</b>      | —         | —          | —       | —           | —     |
| <b>BF7656</b>     | P554470   | FF5381     | P8049   | LFF4470     | 33588 |
| <b>BF7657</b>     | P554471   | FF5382     | P8050   | LFF4471     | 33587 |
| <b>BF7773</b>     | P554476   | —          | P9072   | LFF3476     | 33644 |
| <b>BF7814</b>     | P550529   | FF5507     | P9626   | LFF8059     | 33721 |



## Depend on Baldwin Filters

Protect your equipment with heavy-duty Baldwin filters. When it comes to coverage, Baldwin Filters provides the widest range of heavy-duty lube, air, fuel, coolant, hydraulic and transmission filters in the industry. Baldwin consistently manufactures filters designed to meet or exceed the quality, performance and supply requirements of original equipment and aftermarket customers.

\* Also Available in MPG (Maximum Performance Glass) or SS (Severe Service) Media for Use in Severe Environments.







## QUICK CROSS REFERENCE - POPULAR FILTER APPLICATIONS

| Baldwin     | Donaldson | Fleetguard | Fram     | Luber-finer | Wix   |
|-------------|-----------|------------|----------|-------------|-------|
| P7188       | P550761   | LF16144    | CH9260   | LP8741      | 57215 |
| P7192       | P550453   | LF3829     | —        | —           | —     |
| P7199       | P550768   | LF3827     | —        | LP8700      | 57214 |
| P7230       | P550769   | LF16046    | CH9558   | LP5048      | 57213 |
| PF7735      | P550632   | FF5380     | C9262    | L8701F      | 33634 |
| PF7761      | P550762   | FF5405     | C9559    | L8994F      | 33628 |
| PF7939      | —         | —          | —        | —           | —     |
| B7177       | —         | LF3937     | PH8942   | LFP3970     | 57182 |
| BD7309      | ELF7300   | LF9009     | HPH9500  | LFP3000XL   | 57500 |
| B76         | P553191   | LF3321     | PH49A    | LFP3191     | 51791 |
| B76-SS      | P167404   | LF3379     | HPH49A   | —           | 51788 |
| B975        | P554017   | LF4017     | PH2829   | LFP2234     | 51803 |
| BF988       | P553004   | FF5074     | P4102A   | FP585F      | 33358 |
| BW5141      | P552096   | WF2096     | —        | LFW5141     | 24196 |
| B7577       | P550777   | LF3635     | P3555A   | LFP8643     | 51749 |
| BF7644      | P550372   | FF5272     | P5694    | LFF3584     | 33690 |
| BF7653      | —         | —          | —        | —           | —     |
| B7685       | P550425   | LF3654     | P9407    | LFP8642     | 51660 |
| BF7814      | P550529   | FF5507     | P9626    | LFF8059     | 33721 |
| C750-E,-L   | P550750   | LF750B     | C175E    | 2122-1      | 51750 |
| P7500       | P550751   | LF750S     | C175AP   | L750P       | 51753 |
| B7577       | P550777   | LF777      | P3555A   | LFP777B     | 51749 |
| PA1637-FN † | P181000   | AF351K     | CAK259   | LAF241HD    | 42124 |
| PA1681-FN † | P181054   | AF409K     | CAK258   | LAF1246     | 42126 |
| PA2312 †    | P181007   | AF853      | CA1581   | LAF7797     | 42966 |
| PA2317 †    | P181008   | AF852      | CA595    | LAF6918     | 42961 |
| PA2333 †    | P181099   | AF872      | CA592    | LAF8047     | 42960 |
| PA2357 †    | P128299   | AF865      | CA596    | LAF6880     | 42661 |
| PA2425 †    | P181014   | AF886      | CA1574   | LAF6300     | 42776 |
| PA2525 †    | P181015   | AF982      | CA1599   | LAF9544     | 42491 |
| PA2608 †    | P181186   | —          | CA6918   | LAF2608     | 46868 |
| PA2642 †    | P181189   | —          | CA5042   | LAF8727     | 46350 |
| PA2660      | P150694   | AF1846     | CA3913   | LAF694      | 46876 |
| PA2680      | P150695   | AF1969     | CA6512   | LAF695      | 46882 |
| PA2705      | P153551   | AF1968     | CA3750   | LAF3551     | 46883 |
| PA2729      | P521598   | AF4664     | CA6926   | LAF1769     | 46844 |
| PA2732      | P522293   | AF4588M    | —        | LAF1770     | —     |
| RS2863      | P527484   | AF4878     | CA7139   | LAF1878     | 46433 |
| RS3501      | P529494   | AF25215    | CA7139SY | LAF3585     | 46429 |
| RS3516      | P531026   | AF25219    | CA7727   | LAF2536     | 46842 |
| RS3517      | P532966   | AF25667    | CA8193   | LAF4498     | 46744 |
| RS3518      | P527682   | AF25139M   | CA7140   | LAF1849     | 46556 |
| RS3530      | P533235   | AF25033    | CA7466   | LAF1953     | 46745 |
| RS3534      | P534925   | AF25248    | CA8231   | LAF3302     | 46863 |
| RS3539      | P534816   | AF25247    | CA8180   | LAF4816     | 42971 |
| RS3548      | P533930   | AF25359    | CA8466   | LAF3930     | 46664 |
| RS3740      | P540388   | AF25435    | CA8598   | LAF5722     | 46772 |
| RS3750      | P549644   | AF25598    | CA9009   | LAF5873     | 42455 |
| RS3936      | P540654   | AF25687    | CA8932   | LAF8691     | 46353 |
| RS4618      | P544950   | —          | CA9870   | LAF4618     | 46348 |
| RS4634      | EAF5114   | AF25952M   | CA9869   | LAF5114MXM  | 42808 |
| RS4636      | P606503   | AF25707    | CA9346   | LAF9099     | 46870 |
| RS4642      | P606720   | AF26163M   | CA9901   | LAF9201     | 49126 |
| RS4672      | —         | —          | —        | LAF2031     | 42824 |
| CA4700      | P607955   | AF26154    | CA10281  | LAF3233     | 42809 |
| RS4862      | P613336   | AF26103    | —        | LAF6663     | 49088 |
| CA5368      | P607965   | —          | —        | —           | 42812 |

† Also Available in LL (Long Life) Version or Use in Severe Environments.

**We also have Cab Air Filters in Stock!**



Depend on  
**Baldwin Filters**  
Protect your equipment with  
heavy-duty Baldwin filters.  
When it comes to coverage,  
Baldwin Filters provides  
the widest range of  
heavy-duty lube, air, fuel,  
coolant, hydraulic and  
transmission filters  
in the industry.  
Baldwin consistently  
manufactures filters designed  
to meet or exceed the quality,  
performance and supply  
requirements of  
original equipment and  
aftermarket customers.





**WINDSHIELD WIPER BLADES**



Replace windshield wipers at least every six months. Fundamental driving safety is built on the driver's ability to see the road clearly. It is difficult to see impending hazards in time to react when vision is impaired.

To keep windshield wipers in good condition, use the following tips.

- Inspect windshield wipers every six months for wear and damage, and replace accordingly. A good rule of thumb is to replace at daylight saving time.
- Do not wait to replace worn and damaged wipers until the bad weather hits or visibility is so deteriorated that safety is compromised. Eyestrain from poor visibility can lead to driver fatigue and anxiety. A regular inspection schedule will help avoid potentially dangerous situations.
- Give your wiper blade rubber elements a quick cleaning when filling up with gas. After the windshield has been cleaned using the service center's washer solvent and squeegee, wipe down the rubber with a paper towel. Doing so removes any loose dirt and most road grime that can lead to streaking, smearing and hazing.



**The KwikConnect Installation System** is the easiest and most effective connection system in replacement wiper blades. It produces an audible "click" so you know that installation has been performed correctly.

The KwikConnect Installation System can be found on ANCO® AeroVantage, 31-Series, and winter wiper blades, and ANCO Contour Premium Profile Blades.

ANCO wiper blades fit 98 percent of passenger cars and light- and medium-duty trucks on the road right out of the box. Our easy-to-follow instructions make it possible for even the do-it-yourself novice to install the replacement blades in seconds.



**The 31-Series wiper blade in ANCO's line of** windshield wiper blades features a vented bridge and metal flexor for original equipment fit and function.

The blade features a DuraKlear™ rubber compound to provide a consistent, clean wipe. The patented rubber creates a razor-sharp wiping edge and features a natural, no-wax formula that offers protection from UV rays, ozone, air pollution and road grime.

Each blade also features the KwikConnect™ System that allows for easy installation and removal.

| The              | Part No.           | Length | Trico # |
|------------------|--------------------|--------|---------|
| <b>31-Series</b> | <b>31-14</b>       | 14"    | 30-140  |
|                  | <b>31-16</b>       | 16"    | 30-160  |
|                  | <b>31-18</b>       | 18"    | 30-180  |
|                  | <b>31-19</b>       | 19"    | 30-190  |
|                  | <b>31-20</b>       | 20"    | 30-200  |
|                  | <b>31-21</b>       | 21"    | 30-210  |
| <b>ANCO</b>      | <b>31-22</b>       | 22"    | 30-220  |
|                  | <b>31-24</b>       | 24"    | 30-240  |
|                  | <b>wiper blade</b> |        |         |





## WINDSHIELD WIPER BLADES

**ANCO winter blades** provide a super-strong, rugged rubber cover over a heavy-duty frame to prevent ice, snow and slush from freezing wiper joints or building up on the blade itself.



A heavy-gauge steel bridge resists abuse, and its extra-thick DuraKlear™ natural rubber wiping edge remains flexible in the coldest temperatures.

Our winter blades outperform all competitors in laboratory testing and are available in eight lengths.

Once the winter weather is over for the year, the blades' KwikConnect™ System allows for easy installation and removal, so return to normal blades is quick and effortless.



| Part No. | Length | Trico # |
|----------|--------|---------|
| 30-16    | 16"    | 37-160  |
| 30-18    | 18"    | 37-180  |
| 30-20    | 20"    | 37-201  |
| 30-22    | 22"    | 37-220  |
| 30-24    | 24"    | 37-240  |

**ANCO 59-Series heavy duty winter blades** have a stainless steel frame reinforced by metal rivets for greater strength and a rubber cover prevents ice and snow buildup in the wiper superstructure. Saddle mounting style.

| Part No. | Length | Trico # |
|----------|--------|---------|
| 59-13    | 13"    | 66-130  |
| 59-15    | 15"    | 66-150  |
| 59-16    | 16"    | 66-160  |
| 59-18    | 18"    | 66-180  |
| 59-20    | 20"    | 66-200  |

**ANCO's AeroVantage 91-Series** wiper blades are created with an aerodynamic design that maintains wipe at high speeds.

This high-performance wiper blade features a vented bridge and is engineered for today's sloping windshields and faster highway speeds. Its advanced DuraKlear-Plus™ wiper element provides a streak-free wipe. They include the KwikConnect™ System.

| Part No. | Length | Trico # |
|----------|--------|---------|
| 91-18    | 18"    | 18-1    |
| 91-20    | 20"    | 20-1    |
| 91-22    | 22"    | 22-1    |



**ANCO Rainy Day wiper blades** have a natural rubber wiping edge for high conformance to windshield shape. Black steel backing.



| Part No. | Length | Trico # |
|----------|--------|---------|
| RDB18    | 18"    | ----    |
| RDB20    | 20"    | ----    |
| RDB22    | 22"    | ----    |
| RDB24    | 24"    | ----    |

### ANCO Contour™ wiper blade: Profile style wiper blade.

Includes KwikConnect™. Unique spoiler provides superior blade-to-windshield contact for optimal viewing area. Exclusive wiper formulation resists the elements. One piece design resists corrosion and freezing for all season performance.

| Part No. | Length | Trico # |
|----------|--------|---------|
| C18UB    | 18"    | 16-180  |
| C20UB    | 20"    | 16-200  |
| C22UB    | 22"    | 16-220  |
| C24UB    | 24"    | 16-220  |



### ANCO 51 Series "Ten-Edge" wiper blades for flat windshields.

"Ten Edge" blades are nonrefillable.

| Part No. | Length | Trico # |
|----------|--------|---------|
| 51-13    | 13"    | 61-130  |
| 51-15    | 15"    | 61-150  |
| 51-16    | 16"    | 61-160  |
| 51-18    | 18"    | 61-180  |
| 51-20    | 20"    | 61-200  |



### ANCO 52 Series "Clear-Flex" wiper blades for Flat OR Curved windshields are heavy duty construction throughout.

| Part No. | Length | Trico # |
|----------|--------|---------|
| 52-14    | 14"    | 63-140  |
| 52-15    | 15"    | 63-151  |
| 52-16    | 16"    | 63-160  |
| 52-18    | 18"    | 63-180  |
| 52-20    | 20"    | 63-200  |





## SHOP EQUIPMENT - AMERICAN FORGE & FOUNDRY - DOLLIES AND JACKS

### Dual Wheel Dolly. 1500 Pound Capacity.

Allows for easy removal and transport of dual wheel and tire and assemblies. Designed to provide extra low position for easy installation and removal.

- Leveling screw provides infinite tilt adjustment.
- 4 ton hydraulic jack provides a full 7<sup>3</sup>/<sub>4</sub>" lift.
- 6' chain included to hold wheel assembly in place
- Large swivel casters for easy maneuverability.

**Part No. 3577**



### Bottle Jacks

Designed for horizontal or vertical use. Heat treated piston for maximum strength. Centered pump and ram for balance and easy positioning.



| Ton         | Low Capacity | High Hgt.                       | High Hgt.                        | Lift                            | Base Screw                      | Dimension   |
|-------------|--------------|---------------------------------|----------------------------------|---------------------------------|---------------------------------|---|
| <b>3512</b> | 12           | 8 <sup>1</sup> / <sub>2</sub> " | 17"                              | 5 <sup>3</sup> / <sub>4</sub> " | 2 <sup>3</sup> / <sub>4</sub> " | 5 <sup>1</sup> / <sub>2</sub> " x 5 <sup>1</sup> / <sub>4</sub> " |
| <b>3520</b> | 20           | 9 <sup>5</sup> / <sub>8</sub> " | 18 <sup>1</sup> / <sub>4</sub> " | 6 <sup>3</sup> / <sub>8</sub> " | 2 <sup>1</sup> / <sub>4</sub> " | 6 <sup>3</sup> / <sub>4</sub> " x 6 <sup>1</sup> / <sub>4</sub> " |

**3306 / 3312**

**3314**



### Garage Stands

- Safety ratchet design prevents lowering of stand when load is on saddle.
- Exceeds ANSI standards for performance and Safety

| Part No.    | Sold | Capacity (Each) | Low Hgt.                         | High Hgt.                        | Base Dim.                              | Type    |
|-------------|------|-----------------|----------------------------------|----------------------------------|--|---------|
| <b>3306</b> | Pair | 6 Ton           | 15 <sup>1</sup> / <sub>2</sub> " | 23 <sup>3</sup> / <sub>4</sub> " | 9" x 10 <sup>1</sup> / <sub>2</sub> "  | Ratchet |
| <b>3312</b> | Pair | 12 Ton          | 17 <sup>3</sup> / <sub>4</sub> " | 28 <sup>1</sup> / <sub>2</sub> " | 12" x 10 <sup>3</sup> / <sub>4</sub> " | Ratchet |
| <b>3314</b> | Each | 20 Ton          | 12"                              | 20"                              | 10" x 10"                              | Pin     |

### Air-Hydraulic Service Jack 22 Ton Capacity.

For heavy duty use in repairing trucks, buses, trailers and other heavy equipment.

- Heat treated cylinder wall and chromed piston give added stability, longer jack life.
- Alloy steel lifting mechanism for added durability and operator safety.
- Lifts between 8-3/4" to 23"
- In-line filter to protect air motor from contaminants
- Extension kit included with 3/4", 2-3/4" and 4"
- Large 7-3/4" rear wheels for easy positioning
- Automatic in-line oiler to lubricate air motor.

**Part No. 565E**



### Super Single Wheel Dolly

- Easily handles new super wide tires that are becoming prevalent in the trucking industry.
- Provides technician with the leverage needed to handle the removal and installation of large tires
- Heavy duty tubular steel construction
- 26" wide carriage handles tire diameters 36"- 48"
- 450 lb. capacity. • Ship weight 25 lbs.

**Part No. 3591**





## SHOP EQUIPMENT - DRILL BITS

Heavy Duty Shank; 135 degree; Split Point; Black/Gold Finish.  
Super High Speed Steel. Premium Grade. M7 molybdenum.  
**HDS = Round Shank / HDJ = 3 Flat Shank.** Sorted by size.



### HDS Series - Round Shank

| Part Number | Size   | Pack Qty |
|-------------|--------|----------|
| HDS1/16     | 1/16"  | 12       |
| HDS5/64     | 5/64"  | 12       |
| HDS3/32     | 3/32"  | 12       |
| HDS7/64     | 7/64"  | 12       |
| HDS1/8      | 1/8"   | 12       |
| HDS9/64     | 9/64"  | 12       |
| HDS5/32     | 5/32"  | 12       |
| HDS11/64    | 11/64" | 12       |
| HDS3/16     | 3/16"  | 12       |
| HDS10       | #10    | 12       |
| HDS13/64    | 13/64" | 12       |
| HDS7/32     | 7/32"  | 12       |
| HDS15/64    | 15/64" | 12       |
| HDS1/4      | 1/4"   | 12       |
| HDS17/64    | 17/64" | 12       |
| HDS9/32     | 9/32"  | 12       |
| HDS19/64    | 19/64" | 12       |
| HDS5/16     | 5/16"  | 12       |
| HDS21/64    | 21/64" | 6        |
| HDS11/32    | 11/32" | 6        |
| HDS23/64    | 23/64" | 6        |
| HDS3/8      | 3/8"   | 6        |
| HDS25/64    | 25/64" | 6        |
| HDS13/32    | 13/32" | 6        |
| HDS27/64    | 27/64" | 6        |
| HDS7/16     | 7/16"  | 6        |
| HDS29/64    | 29/64" | 6        |
| HDS15/32    | 15/32" | 6        |
| HDS31/64    | 31/64" | 6        |
| HDS1/2      | 1/2"   | 6        |

### HDJ Series - Flat Shank

| Part Number | Size   | Pack Qty |
|-------------|--------|----------|
| HDJ3/16     | 3/16"  | 12       |
| HDJ13/64    | 13/64" | 12       |
| HDJ7/32     | 7/32"  | 12       |
| HDJ1/4      | 1/4"   | 12       |
| HDJ17/64    | 17/64" | 12       |
| HDJ9/32     | 9/32"  | 12       |
| HDJ5/16     | 5/16"  | 12       |
| HDJ3/8      | 3/8"   | 6        |
| HDJ25/64    | 25/64" | 6        |
| HDJ1/2      | 1/2"   | 6        |

### Drill Bit Set:

HDJ Bits  
In /64's. 4/64"-32/64".  
29 Piece. Metal Box.  
**Part No. BBML74290**



### Drill Bit Set:

HDJ Bits  
In /32's. 2/32"-16/32".  
15 Piece. Metal Box.  
**Part No. BBML74293**





## SHOP EQUIPMENT - SHOP TOWELS AND GOJO

**SCOTT® BRAND** shop towels are ideal for your toughest shop clean-up tasks. Keep them in your garage, or on the job for a quick and easy solution to any mess. These strong, absorbent towels are great for wiping hands, tools and cleaning up grease, oil, grime, and fluids.

- Ideal for changing oil, refilling fluids and general automotive maintenance
- Super strong - works when wet!
- Easily absorbs liquids, oils, and grease
- POP-UP Box with built-in handle allows you to take the box on the job while keeping rags clean.



200 sheets per roll,  
1 roll per box.  
White, lint free.  
1 ply 10" x 13" sheets.  
**Part No. 1015260**



55 blue shop towels per roll,  
10.4" x 11" sheet size.  
**Part No. 1015130**



200 blue shop towels per box,  
10" x 13" sheet size.  
**Part No. 1015190**



### Natural Orange Pumice With Aloe and Lanolin

Thoroughly and safely cleans  
adhesive, asphalt, cement, grease,  
grime, paint, tar, and more.  
One Gallon Jug, 2 per carton  
**Part No. 0955-02**



### Original Formula

Fortified with Lanolin.  
Cleans with or without water.  
4.5 lb. container  
**Part No. 1115-06**



### Fine Italian Pumice

No. 1 choice of mechanics.  
4 lb. 4 oz. container  
**Part No. 1135-06**



### Heavy Duty hand Cleaning Towels in a Bucket!

- 130 Premoistened 9" x 10" towels
- Quickly removes grease, grime, oil  
without irritation.

**Part No. 6298-04**



### Gojo Supro Max Hand Cleaner

2000 ml. refill 4 per carton.  
Fits Gojo Pro 2000 dispenser.  
**Part No. 7272-04**  
**Part No. 7282-04 (Cherry)**

Also available in a half gallon  
pump bottle.





## MERITOR TIE ROD ENDS

Polished, full ball design for medium and heavy-duty applications provides full bearing contact ensuring a superior range of motion. Grease passages allow consistent lubrication.

| PART NO.       | DESCRIPTION                    |
|----------------|--------------------------------|
| <b>R230068</b> | ES423L (interchange E4614)     |
| <b>R230069</b> | ES423R (interchange E4615)     |
| <b>R230072</b> | ES2090L (interchange E4628)    |
| <b>R230073</b> | ES2091R (interchange E4629)    |
| <b>R230139</b> | Roadside (interchange E-10137) |
| <b>R230140</b> | Curbside (interchange E-10138) |



## HORTON FAN CLUTCH PARTS

**Horton® Fan clutch parts, available from your source for heavy duty parts.**

With 60 years of industry experience, commitment to service, reliability, innovation and the environment, Horton is a premium provider of engine cooling solutions worldwide. The company manufactures and markets fan drives, fans and related components in OEM applications and aftermarket segments globally to the following industries:

- Heavy-, medium- and light-duty truck.
- Bus. - Motor coach/RV.
- Off-highway.
- Industrial (compressors, gen. sets, refrigeration units, etc.)



## STEMCO KAISER KING PIN KITS

King Pin Kits, that outperform, outlast and are simpler to install than traditional components. Quality long-life pins and bushings for king pin and suspension applications.

### PLUS KITS

| Part No.         | Description                           |
|------------------|---------------------------------------|
| <b>70.103.19</b> | Plus Kit, 1.359x7.97, K103S, 8K.      |
| <b>70.120.05</b> | Plus Kit, 1.625x9.19, K121E, 12K.     |
| <b>70.120.09</b> | Plus Kit, 1.921X9.87, K120I, 12K.     |
| <b>70.122.05</b> | Plus Kit, 1.794X9.05, K122E, 10-13K.  |
| <b>70.147.05</b> | Plus Kit, 1.872X9.05, K147E, 10-14K.  |
| <b>70.961.12</b> | Plus Kit, 1.794X10.40, K961L, 10-12K. |
| <b>70.981.18</b> | Plus Kit, 1.794X8.87, K981R, 12K.     |



The STEMCO Kaiser™ PLUS Kit™ is the most economical way to do your king pin job.

You will get a great fit every time you use a PLUS Kit™.

- Pre-sized Bronze Bushings
- No Need to buy Reamers
- Fit as Good as "Reamed"
- Install Faster than Reaming
- Least Expensive King Pin Installation



### QWIK KITS

| Part No.     | Description                      |
|--------------|----------------------------------|
| <b>K120E</b> | Qwik Kit, 1.625 X 9.19, 12K.     |
| <b>K122E</b> | Qwik Kit, 1.794 X 9.05, 10-13K.  |
| <b>K147E</b> | Qwik Kit, 1.872 X 9.05, 10-14K.  |
| <b>K961L</b> | Qwik Kit, 1.794 X 10.40, 10-12K. |
| <b>K981R</b> | Qwik Kit, 1.794 X 8.87, 12K.     |



The STEMCO Kaiser™ Qwik Kit™ is easy to install, easy to maintain, and gives you three to four times the life of conventional bronze or nylon kits.

- 300% More Grease
- Grooved Pin Allows Grease To Lubricate Bearing
- Drive Past Your Next 3 King Pin Jobs
- Install in Half The Time with Half The Effort
- No Ream Installation





**TRUCK MATTRESSES**

### Truck Mattresses

Designs International Inc. manufactures high quality, comfortable mattresses specially designed to suit truck and RV needs with over a decade of experience in the mattress industry.

All mattresses are made with a high density polyurethane foam. This allows for a more comfortable and restful sleep as it conforms to each individual.

All mattresses are manufactured in the U.S.A to the highest quality and standards. Mattresses are compatible with all truck makes and models, and are specially rolled and packaged to accommodate easy storage, portability, and installation. Once the mattress is unrolled it will expand to its full size and thickness, fitting perfectly into any bed.

### Part No. 38x80

38" WIDE X 80" LONG

### Part No. 42x80

42" WIDE X 80" LONG



**WORK GLOVES**

**Brown Jersey Glove,  
9 ounce.  
Part No. GL-01**



**Latex powdered glove  
Large  
Part No. GL-15L  
Extra Large  
Part No. GL-15XL**



**Brown Jersey Glove,  
9 ounce, with grip dots.  
Part No. GL-05**



**Nitrile powdered glove.  
Large  
Part No. GL-16L  
Extra Large  
Part No. GL-16XL**



**Premium Split  
Leather Glove.  
Part No. GL-06**



**Nitrile powder free glove  
Large  
Part No. GL-16L - PF  
Extra Large  
Part No. GL-16XL - PF**





## ROAD GEAR TOOL BOXES AND CAB GUARDS

**Road Gear tool boxes** are constructed of durable light-weight aluminum. All are standard with stainless steel locking T-handles and are available in single or double doors with piano style door hinges. Fabricated one-piece door frame and automotive type seal assure weather tight fit. Smooth and tread plate available.

**Road Gear offers top-quality aluminum racks (cabguards)** that are tested by an independent engineering firm. Designed to last, while maintaining their original appearance.

| PART NO. | DESCRIPTION   |
|----------|---|
| 68000903 | Tool Box mounting brackets, 24" high, 24" deep, triangle          |
| 68000905 | Chain rack with locking cover, accessory for Cabguard. 21.25"     |
| 68100004 | Tool Box, 24x24x36, single door, polished                         |
| 68100005 | Tool Box, 24x24x48, single door, polished                         |
| 68100006 | Tool Box, 24x24x60, single door, polished                         |
| 68100024 | Tool Box, 24x24x60, double door, polished                         |
| 68200100 | 17" U-bolt mounting kit for Cabguard                              |
| 68200102 | 21" U-bolt mounting kit for Cabguard                              |
| 68220014 | Cabguard 68x70 2-racks,1-tray and jail bar window                 |
| 68230008 | Cabguard 68x76 2-racks,1-tray                                     |
| 68230014 | Cabguard 68x76 2-racks,1-tray and jail bar window                 |
| 68200008 | Cabguard 68x86 2-racks,1-tray                                     |
| 69000913 | Tire chain carrier, frame mounted, 18", with threaded plate cover |



**ROAD GEAR**  
Truck Equipment, LLC



## BUYERS PRODUCTS TOOL BOXES AND HOOD CATCH

Established in 1946 as a distributor of truck and trailer components, **Buyers Products** has grown to become a leading manufacturer of products for the mobile equipment industry.

| PART NO.  | DESCRIPTION  |
|-----------|--|
| 03020     | Hood catch, 6" rubber, heavy duty, includes brackets and pins          |
| WJ201A    | Hood catch, 4-7/8" rubber, with bracket                                |
| WJ206     | Hood catch, 6" rubber, heavy duty, includes brackets and pins          |
| 1701006   | Mounting bracket, universal, 18"x18"                                   |
| 1702300   | Tool Box, 18x18x24, single door, black steel, stainless steel T-handle |
| 1702303   | Tool Box, 18x18x30, single door, black steel, stainless steel T-handle |
| 1702305   | Tool Box, 18x18x36, single door, black steel, stainless steel T-handle |
| 1703305   | Tool Box, 14x16x36, single door, black steel, stainless steel T-handle |
| 1704305   | Tool Box, 24x24x36, single door, black steel, stainless steel T-handle |
| 1705105   | Tool Box, 18x18x36, single door, aluminum, stainless steel T-handle    |
| TGL3410   | Steel dump tailgate latch assembly, with forged bracket and clevis     |
| TGL3410ST | Steel dump tailgate latch assembly, with aluminum bracket and clevis   |



**Buyers**  
PRODUCTS COMPANY



### Part Number Index

|                   |                   |                   |                        |                   |
|-------------------|-------------------|-------------------|------------------------|-------------------|
| 0001-08.....235   | 0086-00.....235   | 023-105-09.....42 | 033-00870.....595      | 0636-01.....237   |
| 0001-14.....235   | 0086-00.....237   | 023-106-09.....42 | 033-03404.....595      | 0636-03.....232   |
| 002-161-22.....50 | 0088-00.....235   | 027-009-00.....44 | 033-04259.....555      | 0650-00.....232   |
| 003-042-00.....45 | 0088-00.....237   | 027-050-00.....44 | 033-04263.....555      | 0650-00.....237   |
| 003-043-00.....45 | 009-002-00.....50 | 028382.....53     | 033-04992.....595      | 065104.....19     |
| 0045-00.....235   | 0090100.....51    | 028462.....53     | 033-04993.....595      | 065125.....19     |
| 0045-00.....237   | 009-027-01.....43 | 029-028-01.....43 | 033-052-01.....50      | 065206.....19     |
| 0046-20.....235   | 009-044-01.....43 | 03020.....634     | 033-08001.....593      | 065225.....5      |
| 005-004-00.....50 | 0091065.....51    | 03025-12.....477  | 033-08002.....593      | 065225PG.....5    |
| 005-008-00.....50 | 010-003-00.....41 | 031-00123.....595 | 034-00426.....595      | 065226.....5      |
| 005-023-00.....50 | 010-010-00.....41 | 031-00125.....595 | 034-00433.....595      | 065227.....5      |
| 005-027-00.....50 | 010-019-00.....41 | 031-00133.....595 | 034-00731.....596      | 065228.....5      |
| 005-057-00.....50 | 010-036-00.....41 | 031-00135.....595 | 034-00732.....596      | 065228RX.....5    |
| 005-059-00.....50 | 010-040-00.....41 | 031-00233.....596 | 034-01312.....598      | 065243.....5      |
| 005-071-00.....50 | 010-051-02.....41 | 031-00233.....597 | 034-01314.....598      | 065303.....19     |
| 005079.....276    | 010-056-00.....41 | 031-00234.....597 | 034-01320.....598      | 065437.....17     |
| 005-101-55.....50 | 010-060-00.....41 | 031-00235.....597 | 034-01321.....598      | 065476.....19     |
| 005-259-05.....41 | 010-063-00.....41 | 031-00242.....597 | 034-01352.....598      | 065499.....5      |
| 006-005-00.....50 | 01025-12.....477  | 031-00400.....596 | 034-01353.....598      | 065605.....5      |
| 006-010-00.....50 | 01050-02.....477  | 031-00402.....596 | 034-01366.....598      | 065612.....7      |
| 006-017-00.....50 | 01055-01.....477  | 031-00406.....596 | 034-01368.....598      | 065613.....7      |
| 006-026-00.....50 | 01080-06.....477  | 031-00541.....597 | 034-01520.....598      | 065624.....7      |
| 006-053-00.....50 | 011-017-00.....45 | 031-00542.....597 | 034-01521.....598      | 065624PG.....7    |
| 006-058-00.....50 | 011-018-00.....45 | 031-00747.....596 | 034-02190.....598      | 065624PG.....8    |
| 006-080-00.....50 | 011-021-00.....45 | 031-00823.....598 | 034-02194.....598      | 065647.....5      |
| 006-092-01.....50 | 011-054-00.....45 | 031-00883.....597 | 034-02533.....599      | 065650.....5      |
| 006-109-00.....50 | 011-074-00.....45 | 031-00886.....597 | 034-188-03.....92      | 065651.....5      |
| 006-113-00.....50 | 012-001-00.....45 | 031-00896.....595 | 034-188-06.....92      | 065652.....5      |
| 006-176-00.....50 | 012-002-00.....45 | 031-00924.....596 | 034-189-03.....92      | 065661.....14     |
| 006-190-00.....50 | 012-040-00.....45 | 031-01070.....596 | 034-189-06.....92      | 065706.....11     |
| 006-191-00.....50 | 012-051-00.....45 | 031-01071.....596 | 03850-02.....477       | 06969000L.....276 |
| 007-001-01.....41 | 013-122-02.....45 | 031-01074.....596 | 0400-01.....235        | 072-027-00.....41 |
| 007-003-00.....41 | 014-077-00.....45 | 031-01250.....597 | 0400-01.....237        | 072-032-00.....41 |
| 007-017-00.....41 | 015-002-00.....50 | 031-01253.....597 | 0400-02.....235        | 072-042-00.....41 |
| 007-115-00.....50 | 018-011-01.....45 | 031-01254.....597 | 0400-02.....237        | 072-073-00.....41 |
| 007-122-00.....50 | 018-012-01.....45 | 031-01257.....597 | 0401-00.....237        | 0741-01.....237   |
| 007-126-00.....50 | 018173.....53     | 031-01520.....598 | 040-164-01.....43      | 0798001.....232   |
| 007-132-00.....50 | 021-00050.....360 | 031-01521.....598 | 0402-01.....235        | 08-02.....603     |
| 007-244-00.....50 | 021-00051.....360 | 031-01639.....598 | 0402-02.....235        | 08025-12.....477  |
| 007-262-00.....50 | 021-00053.....360 | 031-01661.....597 | 0402-02.....237        | 08080-06.....477  |
| 0075-20.....233   | 021-001-00.....43 | 031-01662.....597 | 040-321-01.....43      | 0837601.....208   |
| 0075-20.....237   | 021-003-00.....43 | 031-01664.....597 | 040-322-01.....43      | 0850-00.....232   |
| 0079-01.....208   | 021-039-00.....43 | 031-01675.....595 | 040X103.....369        | 0850-00.....237   |
| 0079-02.....208   | 021-041-00.....43 | 031-01676.....595 | 043-004-00.....44      | 085-001-00.....43 |
| 008-174-05.....41 | 021-042-00.....43 | 031-01677.....595 | 04KN-100.....321       | 08595-01.....232  |
| 008-201-09.....41 | 021-043-00.....43 | 031-01678.....595 | 050X49X110BLK-PVC, 411 | 08595-01.....238  |
| 008-214-05.....41 | 022-00039.....353 | 032195.....249    | 050X49X110PCR3, 411    | 0867701.....234   |
| 008-219-04.....41 | 022-00577.....360 | 032216.....11     | 050X49X110WH.....411   | 0867701.....237   |
| 008-219-13.....41 | 022-01035.....355 | 032218.....11     | 050X49X110WHLP .. 411  | 0867701.....238   |
| 008-247-05.....41 | 022-01040.....355 | 033-00053.....593 | 050X49X120WH.....411   | 08757-01.....232  |
| 008-248-05.....41 | 022-01041.....355 | 033-00270.....595 | 050X49X144WH.....411   | 08914-01.....235  |
| 008-285-10.....41 | 022-01046.....356 | 033-00272.....595 | 058-008-00.....41      | 09016-09.....477  |
| 008-288-03.....41 | 022-01058.....353 | 033-00864.....595 | 058118.....490         | 091072.....494    |
| 0084-00.....235   | 022-01081.....356 | 033-00865.....595 | 058128.....490         | 091073.....494    |
| 0084-00.....237   | 022-01404.....358 | 033-00868.....595 | 0636-01.....232        | 091074.....494    |



## Part Number Index

|                     |     |                  |     |              |     |                |     |                 |     |
|---------------------|-----|------------------|-----|--------------|-----|----------------|-----|-----------------|-----|
| 091075.....         | 494 | 10096.....       | 589 | 1010159..... | 353 | 1010334.....   | 140 | 1010382.....    | 360 |
| 091173.....         | 494 | 1010024.....     | 136 | 1010160..... | 356 | 1010334.....   | 146 | 1010383.....    | 360 |
| 091175.....         | 494 | 1010028.....     | 136 | 1010162..... | 358 | 1010335.....   | 144 | 1010384.....    | 360 |
| 091177.....         | 494 | 1010029.....     | 136 | 1010163..... | 354 | 1010335.....   | 146 | 1010403.....    | 132 |
| 091180.....         | 494 | 1010030.....     | 136 | 1010164..... | 359 | 1010336.....   | 141 | 1010404.....    | 132 |
| 091181.....         | 494 | 1010031.....     | 136 | 1010164..... | 457 | 1010336.....   | 146 | 1010447.....    | 56  |
| 091182.....         | 494 | 1010032.....     | 136 | 1010165..... | 357 | 1010337.....   | 141 | 1010448.....    | 56  |
| 091183.....         | 494 | 1010033.....     | 137 | 1010166..... | 356 | 1010337.....   | 146 | 1010449.....    | 56  |
| 091184.....         | 494 | 1010035.....     | 136 | 1010167..... | 354 | 1010338.....   | 143 | 1010450.....    | 56  |
| 091231.....         | 494 | 1010053.....     | 477 | 1010168..... | 353 | 1010338.....   | 146 | 1010451.....    | 56  |
| 091305.....         | 494 | 1010054.....     | 477 | 1010169..... | 354 | 1010339.....   | 143 | 1010452.....    | 56  |
| 091306.....         | 494 | 1010055.....     | 477 | 1010170..... | 356 | 1010339.....   | 146 | 1010453BX.....  | 56  |
| 091307.....         | 494 | 1010056.....     | 477 | 1010171..... | 357 | 1010340.....   | 140 | 1010456.....    | 56  |
| 091308.....         | 494 | 1010060.....     | 477 | 1010172..... | 353 | 1010340.....   | 146 | 1010457BX.....  | 56  |
| 091309.....         | 494 | 1010061.....     | 477 | 1010174..... | 392 | 1010341.....   | 142 | 1010459.....    | 56  |
| 0913901.....        | 238 | 1010067.....     | 580 | 1010176..... | 357 | 1010341.....   | 146 | 1010460.....    | 56  |
| 09225-06.....       | 477 | 1010080.....     | 591 | 1010178..... | 357 | 1010342.....   | 142 | 1010463.....    | 56  |
| 09280-06.....       | 477 | 1010083.....     | 347 | 1010180..... | 602 | 1010342.....   | 146 | 1010500.....    | 583 |
| 0955-02.....        | 631 | 1010103.....     | 592 | 1010181..... | 313 | 1010343.....   | 145 | 1010501.....    | 583 |
| 0972901.....        | 235 | 1010107.....     | 588 | 1010183..... | 356 | 1010343.....   | 146 | 1010547.....    | 59  |
| 0972901.....        | 237 | 1010109.....     | 603 | 1010185..... | 482 | 1010344.....   | 141 | 1010800.....    | 61  |
| 0972901.....        | 238 | 1010110.....     | 603 | 1010186..... | 482 | 1010344.....   | 146 | 1010801.....    | 61  |
| 0973001.....        | 232 | 1010112.....     | 373 | 1010187..... | 482 | 1010345.....   | 143 | 1010802.....    | 61  |
| 0973001.....        | 238 | 1010115.....     | 592 | 1010188..... | 482 | 1010345.....   | 146 | 1010803.....    | 61  |
| 09832-01.....       | 238 | 1010116.....     | 592 | 1010194..... | 485 | 1010346.....   | 142 | 1010804.....    | 61  |
| 1/2X4X10WH-MFA..... | 346 | 1010120.....     | 136 | 1010195..... | 485 | 1010346.....   | 146 | 1010950.....    | 189 |
| 1/4X1.....          | 373 | 1010121.....     | 136 | 1010196..... | 485 | 1010347.....   | 140 | 1010951.....    | 189 |
| 1/4X1-1/2.....      | 373 | 1010125.....     | 174 | 1010197..... | 485 | 1010347.....   | 146 | 1011038.....    | 407 |
| 1/4X2.....          | 373 | 1010126.....     | 485 | 1010215..... | 602 | 1010348.....   | 140 | 1011038.....    | 603 |
| 1/4X3/4.....        | 373 | 1010126-500..... | 485 | 1010216..... | 602 | 1010348.....   | 146 | 1011039.....    | 409 |
| 1/4X4X10WH-MFA..... | 346 | 1010132.....     | 526 | 1010218..... | 602 | 1010349.....   | 145 | 1011048.....    | 603 |
| 1000108.....        | 588 | 1010135.....     | 356 | 1010219..... | 602 | 1010349.....   | 146 | 1011051.....    | 59  |
| 10001198.....       | 157 | 1010136.....     | 359 | 1010220..... | 602 | 1010350.....   | 142 | 1011058.....    | 603 |
| 100012.....         | 499 | 1010136.....     | 457 | 1010248..... | 364 | 1010350.....   | 146 | 1011068.....    | 603 |
| 10-0014-101.....    | 157 | 1010137.....     | 358 | 1010323..... | 365 | 1010351.....   | 142 | 1011078.....    | 603 |
| 1000-5A.....        | 21  | 1010138.....     | 359 | 1010324..... | 143 | 1010351.....   | 146 | 1011120.....    | 138 |
| 1001130.....        | 59  | 1010138.....     | 457 | 1010324..... | 146 | 1010352.....   | 144 | 1011122.....    | 138 |
| 100122.....         | 27  | 1010139.....     | 357 | 1010325..... | 143 | 1010352.....   | 146 | 1011123.....    | 138 |
| 100123.....         | 27  | 1010142.....     | 357 | 1010325..... | 146 | 1010353.....   | 143 | 1011124.....    | 138 |
| 100124.....         | 27  | 1010143.....     | 356 | 1010326..... | 143 | 1010353.....   | 146 | 1011125.....    | 138 |
| 100131.....         | 27  | 1010144.....     | 355 | 1010326..... | 146 | 1010354.....   | 143 | 1011126.....    | 138 |
| 100136.....         | 27  | 1010145.....     | 354 | 1010327..... | 140 | 1010354.....   | 146 | 101117B.....    | 136 |
| 100137.....         | 27  | 1010146.....     | 354 | 1010327..... | 146 | 1010355.....   | 145 | 101117R.....    | 136 |
| 10013TW.....        | 183 | 1010147.....     | 358 | 1010328..... | 140 | 1010355.....   | 146 | 1011217.....    | 314 |
| 10032.....          | 588 | 1010148.....     | 360 | 1010328..... | 146 | 1010356.....   | 141 | 1011218.....    | 314 |
| 10033.....          | 588 | 1010149.....     | 360 | 1010329..... | 143 | 1010356.....   | 146 | 1011219.....    | 314 |
| 1003301.....        | 235 | 1010149.....     | 461 | 1010329..... | 146 | 1010357.....   | 145 | 1011221.....    | 314 |
| 10043.....          | 60  | 1010150.....     | 359 | 1010330..... | 142 | 1010357.....   | 146 | 1011223.....    | 314 |
| 10052.....          | 589 | 1010150.....     | 457 | 1010330..... | 146 | 1010358.....   | 145 | 1011223.....    | 463 |
| 10053.....          | 589 | 1010151.....     | 359 | 1010331..... | 144 | 1010358.....   | 146 | 1011223-HD..... | 314 |
| 10062.....          | 589 | 1010151.....     | 457 | 1010331..... | 146 | 1010360.....   | 413 | 1011223-HD..... | 463 |
| 10085.....          | 589 | 1010156.....     | 359 | 1010332..... | 143 | 1010361.....   | 413 | 1011224.....    | 314 |
| 10088.....          | 589 | 1010156.....     | 457 | 1010332..... | 146 | 1010380-2..... | 360 | 1011225.....    | 314 |
| 10091.....          | 587 | 1010157.....     | 354 | 1010333..... | 145 | 1010380-4..... | 360 | 1011226.....    | 314 |
| 10092.....          | 587 | 1010158.....     | 353 | 1010333..... | 146 | 1010381.....   | 360 | 1011227.....    | 314 |



### Part Number Index

|                  |     |                   |     |                  |     |                |             |                  |     |
|------------------|-----|-------------------|-----|------------------|-----|----------------|-------------|------------------|-----|
| 1011228.....     | 314 | 1011941-FC20..... | 72  | 1013329.....     | 188 | 1013809.....   | 157         | 1014248GA.....   | 336 |
| 1011229.....     | 314 | 1011941-FC23..... | 72  | 1013331.....     | 156 | 1013810.....   | 157         | 1014249.....     | 336 |
| 1011230.....     | 314 | 1011944.....      | 79  | 1013331.....     | 188 | 1013811.....   | 157         | 1014250.....     | 336 |
| 1011231.....     | 314 | 1011944-FC20..... | 72  | 1013333.....     | 156 | 1013859.....   | 347         | 1014250GA.....   | 336 |
| 1011232.....     | 314 | 1011944-FC23..... | 72  | 1013333.....     | 188 | 1013860.....   | 347         | 1014251.....     | 336 |
| 1011232.....     | 463 | 1011951.....      | 79  | 1013334.....     | 156 | 1013862.....   | 347         | 1014251GA.....   | 336 |
| 1011233.....     | 315 | 1011951-FC20..... | 72  | 1013334.....     | 188 | 1013863.....   | 348         | 1014252.....     | 336 |
| 1011235.....     | 315 | 1011951-FC23..... | 72  | 1013335.....     | 156 | 1013864.....   | 348         | 1014252GA.....   | 336 |
| 1011236.....     | 316 | 1011953.....      | 79  | 1013335.....     | 188 | 1013865.....   | 348         | 1014253.....     | 336 |
| 1011237.....     | 316 | 1011954.....      | 79  | 1013336.....     | 156 | 1013867.....   | 348         | 1014253GA.....   | 336 |
| 1011238.....     | 316 | 1011978.....      | 156 | 1013336.....     | 188 | 1013868.....   | 348         | 1014254.....     | 336 |
| 1011239.....     | 316 | 1012019.....      | 126 | 1013337.....     | 156 | 1013875.....   | 347         | 1014254GA.....   | 336 |
| 1011242.....     | 315 | 1012039-1/2.....  | 312 | 1013337.....     | 188 | 1013878.....   | 346         | 1014255.....     | 336 |
| 1011243.....     | 315 | 1012039-3/4.....  | 312 | 1013338.....     | 156 | 1013880.....   | 348         | 1014255GA.....   | 336 |
| 1011243.....     | 463 | 1012039-5/8.....  | 312 | 1013338.....     | 188 | 1013881.....   | 348         | 1014256.....     | 336 |
| 1011244.....     | 315 | 1012040.....      | 365 | 1013339.....     | 156 | 1013885.....   | 346         | 1014256GA.....   | 336 |
| 1011244.....     | 463 | 1012110.....      | 601 | 1013339.....     | 188 | 1013887.....   | 346         | 1014257.....     | 336 |
| 1011245.....     | 315 | 1012557.....      | 554 | 1013340.....     | 156 | 1013912.....   | 305-307     | 1014259GA.....   | 336 |
| 1011245.....     | 463 | 1012558.....      | 554 | 1013340.....     | 188 | 1013916.....   | 305-306     | 1014264.....     | 603 |
| 1011247.....     | 315 | 1012560.....      | 555 | 1013418.....     | 137 | 1013932.....   | 305-306     | 1014264KIT.....  | 210 |
| 1011248.....     | 315 | 1012561.....      | 555 | 1013423.....     | 132 | 1013932-1..... | 463         | 1014265KIT.....  | 210 |
| 1011249.....     | 315 | 1012562.....      | 555 | 1013425.....     | 132 | 1013932-2..... | 463         | 1014266KIT.....  | 210 |
| 1011310.....     | 314 | 1012563.....      | 555 | 1013474.....     | 468 | 1013962.....   | 305-306     | 1014267KIT.....  | 210 |
| 1011310.....     | 463 | 1012564.....      | 555 | 1013475.....     | 468 | 1013964.....   | 305-306     | 1014268KIT.....  | 210 |
| 10114-01.....    | 232 | 1012565.....      | 555 | 1013476.....     | 468 | 1013984.....   | 603         | 1014269KIT.....  | 210 |
| 1011402.....     | 137 | 1012566.....      | 466 | 1013477.....     | 468 | 1013985.....   | 603         | 1014274KIT.....  | 210 |
| 1011403.....     | 137 | 1012566.....      | 555 | 1013478.....     | 468 | 1013992.....   | 305,310     | 1014307-150..... | 132 |
| 1011410.....     | 485 | 1012567.....      | 555 | 1013479.....     | 468 | 1013993.....   | 305,310-311 | 1014307-25.....  | 132 |
| 1011410-500..... | 485 | 1012569.....      | 555 | 1013492.....     | 372 | 1013994.....   | 305,310-311 | 1014307-250..... | 132 |
| 1011424.....     | 463 | 1012570.....      | 555 | 1013492-100..... | 372 | 1013995.....   | 305,310-311 | 1014307-50.....  | 132 |
| 1011440.....     | 135 | 1012571.....      | 555 | 1013493.....     | 372 | 1013996.....   | 305,310-311 | 1014309KIT.....  | 210 |
| 1011441.....     | 135 | 1012572.....      | 555 | 1013493-100..... | 372 | 1013997.....   | 305,310-311 | 1014310-25.....  | 132 |
| 1011450.....     | 135 | 1012573.....      | 555 | 1013494.....     | 372 | 1013998.....   | 305,310-311 | 1014310-250..... | 132 |
| 1011451.....     | 135 | 1012574.....      | 555 | 1013494-100..... | 372 | 1014044.....   | 348         | 1014310-50.....  | 132 |
| 1011452.....     | 135 | 1012575.....      | 555 | 1013495.....     | 372 | 1014045.....   | 348         | 1014310KIT.....  | 210 |
| 1011455-KEY..... | 137 | 1012577.....      | 555 | 1013495-100..... | 372 | 1014076.....   | 348         | 1014341.....     | 371 |
| 1011535.....     | 364 | 1012578.....      | 554 | 1013496.....     | 372 | 1014080.....   | 347         | 1014342-39.....  | 370 |
| 1011536.....     | 364 | 1012579.....      | 554 | 1013496-100..... | 372 | 1014081.....   | 347         | 1014342-52.....  | 370 |
| 1011536-1.....   | 364 | 1012589.....      | 315 | 1013497.....     | 372 | 1014088.....   | 348         | 1014343-52.....  | 370 |
| 1011541.....     | 137 | 1012590.....      | 315 | 1013497-100..... | 372 | 1014090.....   | 348         | 1014344-52.....  | 370 |
| 1011543.....     | 137 | 1012591.....      | 315 | 1013498.....     | 372 | 1014123.....   | 593         | 1014345.....     | 371 |
| 1011544.....     | 137 | 1012592.....      | 315 | 1013498-50.....  | 372 | 1014161.....   | 605         | 1014348.....     | 371 |
| 1011585.....     | 372 | 1012594.....      | 315 | 1013500.....     | 372 | 1014162.....   | 605         | 1014349.....     | 371 |
| 1011590.....     | 365 | 1012596.....      | 315 | 1013500-50.....  | 372 | 1014170.....   | 605         | 1014350KIT.....  | 210 |
| 1011655-ABS..... | 121 | 1012835.....      | 589 | 1013502.....     | 372 | 1014204.....   | 602         | 1014352KIT.....  | 210 |
| 1011657-ABS..... | 121 | 1013138.....      | 459 | 1013502-50.....  | 372 | 1014205.....   | 602         | 1014353KIT.....  | 210 |
| 1011658-ABS..... | 121 | 1013163.....      | 520 | 1013543.....     | 137 | 1014217.....   | 603         | 1014355KIT.....  | 210 |
| 1011861.....     | 485 | 1013164.....      | 597 | 1013544.....     | 137 | 1014218.....   | 365         | 1014356.....     | 371 |
| 1011861-500..... | 485 | 1013167-2.....    | 597 | 1013566.....     | 315 | 1014218.....   | 603         | 1014357.....     | 371 |
| 1011900.....     | 56  | 1013167KIT.....   | 596 | 1013566.....     | 463 | 1014245.....   | 336         | 1014358KIT.....  | 210 |
| 1011901.....     | 56  | 1013169.....      | 596 | 1013802.....     | 157 | 1014245GA..... | 336         | 1014438.....     | 315 |
| 1011902.....     | 56  | 1013250.....      | 493 | 1013803.....     | 157 | 1014246.....   | 336         | 1014439.....     | 315 |
| 1011903.....     | 56  | 1013303.....      | 602 | 1013804.....     | 157 | 1014246GA..... | 336         | 1014440.....     | 315 |
| 1011915.....     | 156 | 1013304.....      | 602 | 1013805.....     | 157 | 1014247.....   | 336         | 1014441.....     | 315 |
| 1011941.....     | 79  | 1013329.....      | 156 | 1013808.....     | 157 | 1014248.....   | 336         | 1014442.....     | 315 |



## Part Number Index

|              |     |                  |     |              |     |                   |     |                 |     |
|--------------|-----|------------------|-----|--------------|-----|-------------------|-----|-----------------|-----|
| 1014444..... | 315 | 1016155.....     | 460 | 1026118..... | 344 | 1031512.....      | 490 | 104574.....     | 19  |
| 1014445..... | 315 | 1018090.....     | 60  | 1026119..... | 343 | 1031514.....      | 490 | 10459008.....   | 505 |
| 1014446..... | 315 | 1018120.....     | 60  | 1026120..... | 343 | 1031531.....      | 486 | 10459196.....   | 505 |
| 1014509..... | 602 | 1018160.....     | 60  | 1026121..... | 343 | 1031532.....      | 486 | 10459320.....   | 505 |
| 101450N..... | 12  | 1018200.....     | 60  | 1026122..... | 343 | 1031533.....      | 486 | 10461045.....   | 503 |
| 1014624..... | 365 | 1018240.....     | 60  | 1026123..... | 343 | 1031534.....      | 486 | 10461047.....   | 503 |
| 1014636..... | 365 | 1018300.....     | 60  | 1026128..... | 343 | 1031535.....      | 486 | 10461050.....   | 503 |
| 1014636..... | 603 | 101900X.....     | 7   | 1026131..... | 343 | 1031536.....      | 486 | 10461052.....   | 503 |
| 1014855..... | 593 | 1019248.....     | 60  | 1026132..... | 343 | 1031537.....      | 486 | 10461053.....   | 503 |
| 1014857..... | 593 | 1019308.....     | 60  | 1026134..... | 343 | 1031538.....      | 486 | 10461055.....   | 503 |
| 1014858..... | 593 | 1020.....        | 587 | 1026136..... | 343 | 1031539.....      | 486 | 10461075.....   | 503 |
| 1015130..... | 631 | 10200ET.....     | 467 | 1026138..... | 343 | 1031540.....      | 486 | 10461098.....   | 503 |
| 1015190..... | 631 | 10200ET.....     | 488 | 1026139..... | 343 | 1031541.....      | 486 | 10461170.....   | 503 |
| 1015260..... | 631 | 10200ET.....     | 499 | 1026141..... | 321 | 1031542.....      | 486 | 10461171.....   | 503 |
| 1015720..... | 498 | 1020222.....     | 592 | 1026141..... | 345 | 1031543.....      | 486 | 10461225.....   | 503 |
| 1015730..... | 498 | 1024359.....     | 365 | 1026142..... | 321 | 1031544.....      | 486 | 10461235.....   | 505 |
| 1016101..... | 423 | 1025371.....     | 372 | 1026142..... | 345 | 1031545.....      | 486 | 10461282.....   | 503 |
| 1016102..... | 407 | 1025371-100..... | 372 | 1026143..... | 343 | 1031549.....      | 486 | 10461592.....   | 503 |
| 1016102..... | 423 | 1025373.....     | 372 | 1026153..... | 343 | 1031550.....      | 486 | 10461738.....   | 503 |
| 1016103..... | 404 | 1025373-100..... | 372 | 1026154..... | 343 | 1032005.....      | 13  | 10461753.....   | 503 |
| 1016103..... | 407 | 1025374.....     | 372 | 1026210..... | 321 | 1032011.....      | 13  | 10465043.....   | 503 |
| 1016104..... | 407 | 1025374-100..... | 372 | 1026210..... | 345 | 1032157.....      | 365 | 10521-00.....   | 231 |
| 1016104..... | 423 | 1025900.....     | 412 | 102626N..... | 19  | 1032157.....      | 603 | 1053532.....    | 244 |
| 1016105..... | 424 | 1025901.....     | 412 | 1026390..... | 343 | 1035-20.....      | 233 | 10562-00.....   | 231 |
| 1016106..... | 404 | 1025902.....     | 412 | 1026393..... | 343 | 1035-20.....      | 237 | 10562-00.....   | 235 |
| 1016106..... | 407 | 1025903.....     | 412 | 1026431..... | 343 | 1036120.....      | 56  | 105776.....     | 157 |
| 1016107..... | 424 | 1025904.....     | 412 | 102657N..... | 7   | 1036160.....      | 56  | 1059.....       | 560 |
| 1016108..... | 404 | 1025905.....     | 412 | 1026840..... | 343 | 1036200.....      | 56  | 1059065.....    | 408 |
| 1016108..... | 423 | 1025906.....     | 412 | 1027001..... | 343 | 1036240.....      | 56  | 1059610.....    | 408 |
| 1016111..... | 456 | 1025907.....     | 412 | 1027087..... | 344 | 1036241.....      | 60  | 1059610.....    | 467 |
| 1016113..... | 456 | 1025908.....     | 412 | 1027096..... | 344 | 1036242.....      | 60  | 1059611.....    | 467 |
| 1016115..... | 456 | 1025909.....     | 412 | 1027115..... | 344 | 1036243.....      | 60  | 105C-137.....   | 611 |
| 1016116..... | 503 | 1025910.....     | 412 | 1027119..... | 344 | 1036301.....      | 60  | 106113.....     | 15  |
| 1016117..... | 456 | 1025911.....     | 412 | 1027207..... | 344 | 1036302.....      | 60  | 106306.....     | 186 |
| 1016124..... | 425 | 1025912.....     | 412 | 1027208..... | 344 | 1036303.....      | 60  | 1063098.....    | 372 |
| 1016125..... | 407 | 1025913.....     | 412 | 1027547..... | 344 | 1036304.....      | 60  | 1063099.....    | 372 |
| 1016125..... | 425 | 1025914.....     | 412 | 1027548..... | 344 | 1036305.....      | 60  | 106319.....     | 186 |
| 1016126..... | 457 | 1025915.....     | 412 | 1027577..... | 344 | 1036450.....      | 60  | 106333.....     | 186 |
| 1016128..... | 458 | 1025919.....     | 412 | 1027578..... | 344 | 1036470.....      | 60  | 1063524.....    | 244 |
| 1016129..... | 458 | 1025920.....     | 412 | 1027705..... | 344 | 1036612.....      | 359 | 1063525.....    | 244 |
| 1016130..... | 458 | 1025921.....     | 412 | 1027715..... | 344 | 1036612.....      | 457 | 1063526.....    | 244 |
| 1016132..... | 459 | 1025922.....     | 412 | 1027944..... | 344 | 1037900.....      | 360 | 1063531.....    | 244 |
| 1016133..... | 459 | 1025923.....     | 412 | 102802N..... | 19  | 1037900-F.....    | 360 | 1063533.....    | 244 |
| 1016134..... | 459 | 1025924.....     | 412 | 103009N..... | 19  | 1037900-M.....    | 360 | 1063534.....    | 244 |
| 1016136..... | 459 | 1025925.....     | 412 | 103010N..... | 19  | 1037901-4-25..... | 360 | 1063535.....    | 244 |
| 1016140..... | 459 | 1025926.....     | 412 | 103028N..... | 19  | 1037901-4-M.....  | 360 | 1063536.....    | 244 |
| 1016142..... | 459 | 1025927.....     | 412 | 103081N..... | 17  | 1037901-6-25..... | 360 | 1063537.....    | 244 |
| 1016144..... | 459 | 1025938.....     | 412 | 1031143..... | 365 | 1037901-6-M.....  | 360 | 1063538.....    | 244 |
| 1016146..... | 458 | 1025947.....     | 412 | 1031445..... | 156 | 1037901-F.....    | 360 | 1064.....       | 351 |
| 1016148..... | 459 | 1026075.....     | 370 | 1031503..... | 490 | 1037902.....      | 360 | 1070401.....    | 244 |
| 1016150..... | 460 | 1026080.....     | 370 | 1031504..... | 490 | 1039113.....      | 351 | 107091-74B..... | 611 |
| 1016151..... | 460 | 1026085.....     | 370 | 1031505..... | 490 | 1039113.....      | 458 | 107091-81B..... | 611 |
| 1016152..... | 462 | 1026102.....     | 343 | 1031506..... | 490 | 10402720.....     | 572 | 107216.....     | 14  |
| 1016153..... | 460 | 1026103.....     | 343 | 1031510..... | 490 | 104200-1.....     | 611 | 107217.....     | 14  |
| 1016154..... | 459 | 1026115.....     | 343 | 1031511..... | 490 | 10421.....        | 592 | 107506X.....    | 2   |



### Part Number Index

|                       |     |                 |     |                |     |                 |     |                  |     |
|-----------------------|-----|-----------------|-----|----------------|-----|-----------------|-----|------------------|-----|
| 107507X.....          | 2   | 1100417.....    | 469 | 1115-06.....   | 631 | 11-5400.....    | 139 | 1190289.....     | 593 |
| 107508X.....          | 2   | 1100419.....    | 469 | 11300.....     | 134 | 11-5401.....    | 139 | 1190290.....     | 593 |
| 107509X.....          | 2   | 1100800.....    | 469 | 11304.....     | 134 | 11-5402.....    | 139 | 1190291.....     | 593 |
| 107514X.....          | 2   | 1100825.....    | 469 | 11306.....     | 134 | 11546.....      | 137 | 1190293.....     | 593 |
| 107515N.....          | 3   | 1100843.....    | 469 | 11307.....     | 134 | 1157011.....    | 374 | 1190296.....     | 593 |
| 107516N.....          | 3   | 1100844.....    | 469 | 11312.....     | 137 | 1157013.....    | 401 | 1190297.....     | 593 |
| 1076733.....          | 509 | 1100845.....    | 469 | 11315.....     | 134 | 1157014.....    | 313 | 1190298.....     | 593 |
| 107695.....           | 6   | 1100846.....    | 469 | 11-3150.....   | 139 | 1157015.....    | 374 | 1190299.....     | 593 |
| 10775-00.....         | 231 | 1100848.....    | 469 | 11-3170.....   | 139 | 1157016.....    | 374 | 1190299-SP.....  | 593 |
| 107794PGX.....        | 6   | 1100849.....    | 469 | 11-3180.....   | 139 | 1157018.....    | 315 | 11903.....       | 134 |
| 107794PGX.....        | 8   | 1100850.....    | 469 | 113209.....    | 6   | 1157019.....    | 593 | 1190300.....     | 593 |
| 107794X.....          | 6   | 1100851.....    | 469 | 1133007.....   | 59  | 1157019.....    | 594 | 1190300-SP.....  | 593 |
| 107796.....           | 6   | 1100852.....    | 469 | 11-3380.....   | 139 | 1157023.....    | 374 | 1190301.....     | 593 |
| 107796PG.....         | 6   | 1100854.....    | 469 | 1133849.....   | 156 | 1157024.....    | 374 | 1190301-SP.....  | 593 |
| 107796PG.....         | 8   | 1100856.....    | 469 | 11-3390.....   | 139 | 1157030.....    | 374 | 1190337.....     | 352 |
| 107799.....           | 6   | 1100857.....    | 469 | 1133915.....   | 156 | 1157031.....    | 374 | 1190338.....     | 352 |
| 107800N.....          | 6   | 1100865.....    | 467 | 11-3400.....   | 139 | 1157033.....    | 374 | 1190374-100..... | 583 |
| 108050-59AM.....      | 611 | 1100866.....    | 467 | 1135-06.....   | 631 | 1157034.....    | 374 | 1190374-101..... | 583 |
| 108050-74AM.....      | 611 | 1100900.....    | 467 | 1135919.....   | 583 | 1157039.....    | 374 | 11904.....       | 134 |
| 108925-20AM.....      | 611 | 1100901.....    | 467 | 1135920.....   | 583 | 11601.....      | 132 | 1190400.....     | 593 |
| 108925-25AM.....      | 611 | 1100902.....    | 467 | 1135921.....   | 583 | 11603.....      | 132 | 1190401.....     | 593 |
| 108925-82AM.....      | 611 | 110139.....     | 21  | 1135922.....   | 583 | 11642-09.....   | 220 | 1190402.....     | 593 |
| 10910-01.....         | 236 | 110170.....     | 18  | 1135923.....   | 583 | 11642-10.....   | 220 | 1190404.....     | 593 |
| 1094755.....          | 485 | 110171.....     | 18  | 1135924.....   | 583 | 1164250-MC..... | 368 | 1190405.....     | 593 |
| 1094755-500.....      | 485 | 110191.....     | 18  | 11400.....     | 137 | 1164500-MC..... | 368 | 1190406.....     | 593 |
| 109477X.....          | 7   | 110197.....     | 21  | 11410-00.....  | 222 | 1164512.....    | 369 | 1190407.....     | 593 |
| 109478X.....          | 7   | 110200.....     | 21  | 11410-02.....  | 222 | 1164517.....    | 369 | 1190409.....     | 593 |
| 109493PGX.....        | 7   | 110200X.....    | 21  | 11412-04.....  | 222 | 1164519.....    | 414 | 1190410.....     | 593 |
| 109493X.....          | 7   | 110257.....     | 11  | 11412-16.....  | 222 | 1164524.....    | 369 | 1190417.....     | 593 |
| 109494.....           | 7   | 110257.....     | 18  | 11414-00.....  | 222 | 1164530.....    | 369 | 1190418.....     | 593 |
| 109495.....           | 7   | 110315.....     | 18  | 11421-01.....  | 222 | 1164531.....    | 368 | 1190420.....     | 593 |
| 109495.....           | 8   | 110338X.....    | 21  | 11440.....     | 135 | 1164532.....    | 368 | 1190421.....     | 593 |
| 109496.....           | 7   | 110360.....     | 21  | 11441.....     | 135 | 1164535.....    | 368 | 11905.....       | 134 |
| 109498.....           | 7   | 110380.....     | 21  | 11444.....     | 135 | 1165075.....    | 368 | 1190540.....     | 316 |
| 109578.....           | 6   | 110380X.....    | 21  | 11445.....     | 135 | 1165100-TR..... | 368 | 1190541.....     | 316 |
| 109579.....           | 6   | 110410.....     | 21  | 11451M.....    | 135 | 1165250-TR..... | 368 | 1190545.....     | 316 |
| 1096732.....          | 509 | 11041-06.....   | 498 | 11452M.....    | 135 | 11-720.....     | 498 | 1190550.....     | 604 |
| 109685X.....          | 5   | 110415.....     | 21  | 1147900.....   | 583 | 11801.....      | 134 | 1190554.....     | 315 |
| 109687X.....          | 5   | 11042-05.....   | 498 | 1147904.....   | 583 | 11802.....      | 134 | 1190554.....     | 463 |
| 109688X.....          | 5   | 110470.....     | 21  | 11489.....     | 135 | 11804.....      | 134 | 11906.....       | 134 |
| 109689X.....          | 5   | 110475.....     | 21  | 11490.....     | 135 | 11805.....      | 134 | 1190620.....     | 321 |
| 109690X.....          | 5   | 110500.....     | 18  | 1149545.....   | 604 | 11-8112.....    | 133 | 1190653.....     | 330 |
| 109691X.....          | 5   | 110501.....     | 18  | 1149546.....   | 604 | 11-8115.....    | 133 | 1190653.....     | 343 |
| 109871N.....          | 6   | 110515.....     | 18  | 1149547.....   | 604 | 11812.....      | 134 | 1190654.....     | 344 |
| 109871N.....          | 7   | 1105449.....    | 365 | 1149548.....   | 604 | 11813.....      | 134 | 1190656.....     | 315 |
| 109871N.....          | 8   | 1105450.....    | 365 | 1149549.....   | 604 | 11-833P.....    | 498 | 1190660.....     | 416 |
| 109993.....           | 7   | 110-555JHO..... | 505 | 1149550.....   | 604 | 11900.....      | 134 | 1190664.....     | 344 |
| 109995.....           | 7   | 110-555PHO..... | 505 | 1149551.....   | 604 | 1190043.....    | 314 | 11908.....       | 134 |
| 11/4X312.....         | 371 | 110570.....     | 21  | 1-15-1632..... | 374 | 1190043.....    | 463 | 11912.....       | 134 |
| 11/4X4X110.W-AAR..... | 346 | 110570X.....    | 21  | 1153666.....   | 359 | 11901.....      | 134 | 11913.....       | 134 |
| 11/4X624.....         | 371 | 110580.....     | 18  | 1153666.....   | 457 | 1190161.....    | 469 | 1-1922.....      | 487 |
| 11/8X312.....         | 371 | 110591.....     | 248 | 1153667.....   | 359 | 1190162.....    | 469 | 1-1923.....      | 487 |
| 11/8X624.....         | 371 | 110700.....     | 18  | 1153667.....   | 457 | 1190163.....    | 469 | 1-1924.....      | 487 |
| 1100415.....          | 469 | 110800.....     | 18  | 1153668.....   | 359 | 1190168.....    | 469 | 1-1926.....      | 487 |
| 1100416.....          | 469 | 1114610.....    | 352 | 1153668.....   | 457 | 11902.....      | 134 | 1-1933.....      | 487 |



## Part Number Index

|                 |     |               |     |              |     |                  |     |                  |     |
|-----------------|-----|---------------|-----|--------------|-----|------------------|-----|------------------|-----|
| 1-1934.....     | 487 | 12501.....    | 15  | 1310470..... | 439 | 1310573.....     | 436 | 1410035.....     | 623 |
| 1-1935.....     | 487 | 12509.....    | 15  | 1310471..... | 434 | 1310574.....     | 440 | 1410035-120..... | 623 |
| 1-1936.....     | 487 | 12-600.....   | 137 | 1310472..... | 434 | 1310575.....     | 440 | 1410035-24.....  | 623 |
| 1-1961.....     | 487 | 126CT.....    | 605 | 1310473..... | 449 | 1310576.....     | 445 | 1410040.....     | 623 |
| 1-1962.....     | 487 | 12-700.....   | 498 | 1310475..... | 434 | 1310578.....     | 445 | 1410040-120..... | 623 |
| 1-1963.....     | 487 | 12-702P.....  | 498 | 1310476..... | 441 | 1310579.....     | 446 | 1410040-18.....  | 623 |
| 11M034.....     | 60  | 12-703P.....  | 498 | 1310477..... | 439 | 1310580.....     | 446 | 1410040-24.....  | 623 |
| 1200038.....    | 288 | 12-706.....   | 498 | 1310479..... | 442 | 1310581.....     | 430 | 1410040-36.....  | 623 |
| 1200039.....    | 288 | 12-707.....   | 498 | 1310480..... | 439 | 1310581.....     | 453 | 1410050.....     | 623 |
| 12-006.....     | 135 | 12713-09..... | 220 | 1310480..... | 442 | 1310582.....     | 454 | 1410050-120..... | 623 |
| 12-008.....     | 135 | 12713-09..... | 221 | 1310483..... | 434 | 1310583.....     | 454 | 1410050-18.....  | 623 |
| 12-010.....     | 135 | 12713-17..... | 220 | 1310484..... | 427 | 1310584.....     | 436 | 1410050-24.....  | 623 |
| 12-0164.....    | 136 | 12713-17..... | 221 | 1310489..... | 451 | 1310585.....     | 436 | 1410050-36.....  | 623 |
| 1208943.....    | 352 | 12715-01..... | 222 | 1310491..... | 442 | 1310586.....     | 428 | 1410130-120..... | 623 |
| 12103.....      | 28  | 12716-01..... | 222 | 1310492..... | 427 | 1310587.....     | 449 | 1410130-24.....  | 623 |
| 12103.....      | 129 | 127200.....   | 611 | 1310493..... | 451 | 1310588.....     | 449 | 1410135-120..... | 623 |
| 1210300.....    | 479 | 127200.....   | 611 | 1310494..... | 451 | 1310590.....     | 446 | 1410135-36.....  | 623 |
| 1210303.....    | 479 | 127740.....   | 611 | 1310496..... | 452 | 1310594.....     | 428 | 1410140.....     | 623 |
| 1210304.....    | 479 | 127760.....   | 611 | 1310497..... | 452 | 1310595.....     | 428 | 1410140-12.....  | 623 |
| 1210306.....    | 479 | 12779-01..... | 222 | 1310498..... | 435 | 1310596.....     | 437 | 1410140-120..... | 623 |
| 1210307.....    | 479 | 12818-01..... | 222 | 1310505..... | 427 | 1310598.....     | 450 | 1410140-18.....  | 623 |
| 1210311.....    | 479 | 128C-20.....  | 611 | 1310506..... | 427 | 1310599.....     | 450 | 1410140-24.....  | 623 |
| 1210320.....    | 479 | 129.....      | 557 | 1310507..... | 447 | 1310600.....     | 461 | 1410140-36.....  | 623 |
| 1210326.....    | 479 | 129DH.....    | 557 | 1310508..... | 435 | 1310601.....     | 461 | 1410150.....     | 623 |
| 1210340.....    | 479 | 129-Z.....    | 557 | 1310508..... | 447 | 1310602.....     | 461 | 1410150-12.....  | 623 |
| 1210344.....    | 479 | 13/8X312..... | 371 | 1310509..... | 443 | 1310603.....     | 461 | 1410150-120..... | 623 |
| 1210363.....    | 479 | 13/8X624..... | 371 | 1310510..... | 443 | 1310606.....     | 450 | 1410150-18.....  | 623 |
| 12104.....      | 28  | 1302440.....  | 151 | 1310517..... | 439 | 1310607.....     | 437 | 1410150-24.....  | 623 |
| 12104.....      | 129 | 1302457.....  | 151 | 1310517..... | 443 | 1310608.....     | 437 | 1410150-36.....  | 623 |
| 12105.....      | 28  | 1302467.....  | 151 | 1310518..... | 439 | 1310609.....     | 429 | 1410240.....     | 622 |
| 12116.....      | 28  | 1302884.....  | 151 | 1310518..... | 443 | 1310610.....     | 429 | 1410250.....     | 622 |
| 12116.....      | 127 | 1310356.....  | 384 | 1310522..... | 439 | 1310611.....     | 429 | 1410330.....     | 622 |
| 12-1169.....    | 135 | 1310357.....  | 384 | 1310525..... | 462 | 1310612.....     | 438 | 1410335.....     | 622 |
| 12-1189.....    | 135 | 1310363.....  | 384 | 1310526..... | 462 | 1310612.....     | 440 | 1410340.....     | 622 |
| 12-136.....     | 135 | 1310364.....  | 384 | 1310545..... | 440 | 1310613.....     | 438 | 1410350.....     | 622 |
| 12-138.....     | 135 | 1310365.....  | 384 | 1310545..... | 444 | 1310613.....     | 440 | 1410430.....     | 622 |
| 1214264KIT..... | 210 | 1310420.....  | 426 | 1310546..... | 440 | 1310614.....     | 438 | 1410435.....     | 622 |
| 1214265KIT..... | 210 | 1310421.....  | 426 | 1310547..... | 444 | 1310615.....     | 438 | 1410440.....     | 622 |
| 1214266KIT..... | 210 | 1310423.....  | 454 | 1310549..... | 443 | 1310618.....     | 454 | 1410450.....     | 622 |
| 1214280.....    | 593 | 1310424.....  | 431 | 1310549..... | 444 | 1310619.....     | 429 | 1410530.....     | 622 |
| 1214352KIT..... | 210 | 1310425.....  | 431 | 1310550..... | 430 | 1310700.....     | 466 | 1410535.....     | 622 |
| 1214353KIT..... | 210 | 1310427.....  | 426 | 1310550..... | 445 | 1310701.....     | 466 | 1410540.....     | 622 |
| 1214354KIT..... | 210 | 1310442.....  | 432 | 1310551..... | 452 | 131081.....      | 3   | 1410550.....     | 622 |
| 1214370KIT..... | 210 | 1310443.....  | 432 | 1310552..... | 452 | 131081.....      | 10  | 1410640.....     | 622 |
| 1218824.....    | 593 | 1310447.....  | 431 | 1310553..... | 453 | 13-13823.....    | 135 | 1410650.....     | 622 |
| 1218896.....    | 593 | 1310449.....  | 432 | 1310554..... | 453 | 1390.....        | 236 | 1410740.....     | 622 |
| 12-206.....     | 135 | 1310450.....  | 432 | 1310556..... | 453 | 1401140.....     | 249 | 1410750.....     | 622 |
| 12-236.....     | 135 | 1310452.....  | 433 | 1310557..... | 453 | 1402487.....     | 151 | 1412004.....     | 476 |
| 1-2262.....     | 487 | 1310453.....  | 433 | 1310561..... | 318 | 140270.....      | 11  | 1412007.....     | 476 |
| 1230109.....    | 251 | 1310457.....  | 441 | 1310562..... | 317 | 140280.....      | 11  | 1412008.....     | 476 |
| 1235.....       | 236 | 1310458.....  | 441 | 1310568..... | 428 | 14031.....       | 603 | 1412009.....     | 476 |
| 12-4506.....    | 136 | 1310459.....  | 441 | 1310569..... | 448 | 140380.....      | 11  | 1412011.....     | 476 |
| 12-4508.....    | 136 | 1310462.....  | 447 | 1310570..... | 448 | 140390.....      | 11  | 1412013.....     | 476 |
| 12-4906.....    | 136 | 1310464.....  | 454 | 1310571..... | 449 | 1410030-120..... | 623 | 1412015.....     | 476 |
| 12-4908.....    | 136 | 1310469.....  | 439 | 1310572..... | 435 | 1410030-18.....  | 623 | 1412016.....     | 474 |



## Part Number Index

|                 |     |                  |     |                   |         |                  |     |                 |     |
|-----------------|-----|------------------|-----|-------------------|---------|------------------|-----|-----------------|-----|
| 1412017.....    | 475 | 1-52234.....     | 487 | 1610006.....      | 138     | 16444.....       | 132 | 16868-01.....   | 231 |
| 1412018.....    | 475 | 1-52254.....     | 487 | 1610008.....      | 138     | 16448.....       | 132 | 16872.....      | 132 |
| 1412019.....    | 475 | 1524.....        | 344 | 1610010.....      | 138     | 16466.....       | 132 | 16BR.....       | 480 |
| 1412020.....    | 475 | 1528601.....     | 233 | 1610012.....      | 138     | 16614.....       | 132 | 16C420.....     | 321 |
| 1412022.....    | 475 | 1528601.....     | 238 | 161005/32.....    | 138     | 16620.....       | 132 | 16C628.....     | 321 |
| 1412023.....    | 475 | 1532.....        | 344 | 16-125.....       | 483-484 | 16622.....       | 132 | 16C632.....     | 321 |
| 1412031.....    | 476 | 15-320.....      | 496 | 1613842.....      | 158     | 16624.....       | 132 | 1701006.....    | 634 |
| 1412033.....    | 476 | 1532014.....     | 36  | 16158-01.....     | 227     | 16626.....       | 132 | 1701480317..... | 53  |
| 1412042.....    | 476 | 15-326.....      | 496 | 16168-10.....     | 227     | 16628.....       | 132 | 170150.....     | 53  |
| 1412044.....    | 476 | 15-335.....      | 496 | 16169-01.....     | 228     | 16630.....       | 132 | 1702300.....    | 634 |
| 1412045.....    | 475 | 15-336.....      | 496 | 16171-01.....     | 228     | 16632.....       | 132 | 1702303.....    | 634 |
| 1414371KIT..... | 210 | 1533915.....     | 156 | 16175-01.....     | 228     | 16634.....       | 132 | 1702305.....    | 634 |
| 1414372KIT..... | 210 | 15-400.....      | 496 | 16178-01.....     | 229     | 16636.....       | 132 | 1703305.....    | 634 |
| 1414373KIT..... | 210 | 15-410.....      | 496 | 16196-03.....     | 229     | 16638.....       | 132 | 1704305.....    | 634 |
| 1414375KIT..... | 210 | 1542014.....     | 31  | 16197-03.....     | 229     | 16640.....       | 132 | 1705105.....    | 634 |
| 1414376KIT..... | 210 | 1542015.....     | 31  | 16199-03.....     | 230     | 16642.....       | 132 | 17-148.....     | 137 |
| 142110.....     | 3   | 15-430.....      | 496 | 1621901.....      | 58      | 16644.....       | 132 | 17-149.....     | 137 |
| 142552.....     | 3   | 1544223.....     | 31  | 16291-03.....     | 229     | 16648.....       | 132 | 17-160.....     | 137 |
| 142572.....     | 3   | 1546103.....     | 506 | 16291-04.....     | 229     | 16654.....       | 132 | 17-412.....     | 92  |
| 1427001.....    | 58  | 15-600.....      | 496 | 16293-01.....     | 229     | 16660.....       | 132 | 17-413.....     | 92  |
| 1428001.....    | 58  | 15-610.....      | 496 | 16293-02.....     | 229     | 16672.....       | 132 | 17-416.....     | 96  |
| 1430001.....    | 58  | 15-630.....      | 496 | 16318.....        | 132     | 16674.....       | 132 | 17-417.....     | 96  |
| 1431001.....    | 58  | 15630-01.....    | 234 | 16319-01.....     | 227     | 16684.....       | 132 | 17-480.....     | 93  |
| 14345-01.....   | 235 | 15-640.....      | 496 | 16319-02.....     | 227     | 16-720.....      | 497 | 17-481.....     | 93  |
| 14682-01.....   | 238 | 15-710.....      | 496 | 16319-51.....     | 227     | 16-722.....      | 497 | 17-490HT.....   | 191 |
| 14683-01.....   | 235 | 15-711.....      | 496 | 16319-52.....     | 227     | 16-724.....      | 497 | 17-491D.....    | 191 |
| 14684-01.....   | 238 | 15-720.....      | 496 | 16320.....        | 132     | 16-726.....      | 497 | 17-491T.....    | 191 |
| 14689-01.....   | 238 | 15-722.....      | 496 | 16322.....        | 132     | 16-730.....      | 496 | 17-492.....     | 191 |
| 15-041.....     | 137 | 15-724.....      | 496 | 16324.....        | 132     | 16-760.....      | 497 | 175000.....     | 53  |
| 15-041.....     | 499 | 15-730.....      | 496 | 16326.....        | 132     | 16-7602-28.....  | 497 | 17-501T.....    | 191 |
| 15-042.....     | 137 | 15-740.....      | 496 | 16328.....        | 132     | 16-762.....      | 497 | 1750290317..... | 53  |
| 15-042.....     | 499 | 15-760.....      | 497 | 16330.....        | 132     | 16-7622-28.....  | 497 | 17-509.....     | 191 |
| 151101.....     | 53  | 15-762.....      | 497 | 16332.....        | 132     | 16-763.....      | 497 | 17-510.....     | 191 |
| 1-51104.....    | 487 | 15-763.....      | 497 | 16334.....        | 132     | 16-77029-28..... | 497 | 17-512.....     | 94  |
| 1-51204.....    | 487 | 15-769.....      | 497 | 16336.....        | 132     | 16-7709-28.....  | 497 | 17-513.....     | 94  |
| 1513827.....    | 158 | 15-770.....      | 497 | 16338.....        | 132     | 16-775.....      | 497 | 17-544D.....    | 191 |
| 1513829.....    | 158 | 15-773.....      | 497 | 16340.....        | 132     | 16-777.....      | 497 | 17-545D.....    | 191 |
| 1513842.....    | 158 | 15-775.....      | 497 | 16342.....        | 132     | 16-798.....      | 497 | 17-571T.....    | 191 |
| 151401.....     | 53  | 15-788.....      | 496 | 16344.....        | 132     | 16-802.....      | 364 | 17-572T.....    | 191 |
| 1517101.....    | 233 | 158109.....      | 53  | 16346.....        | 132     | 16818.....       | 132 | 17-573T.....    | 191 |
| 1517201.....    | 233 | 158151.....      | 53  | 1634701.....      | 233     | 16-822.....      | 497 | 17-579.....     | 191 |
| 1517201.....    | 238 | 15-830.....      | 497 | 16348.....        | 132     | 16824.....       | 132 | 17-580.....     | 191 |
| 1517301.....    | 233 | 158336.....      | 471 | 16354.....        | 132     | 16-826.....      | 497 | 17-581.....     | 191 |
| 1517301.....    | 238 | 158452.....      | 53  | 16360.....        | 132     | 16828.....       | 132 | 17-583.....     | 191 |
| 1517401.....    | 233 | 15-961.....      | 502 | 16372.....        | 132     | 16830.....       | 132 | 17-593.....     | 191 |
| 1517801.....    | 233 | 1-5R-1-I-30..... | 237 | 16384.....        | 132     | 16832.....       | 132 | 17-594.....     | 191 |
| 1517801.....    | 238 | 16000.....       | 132 | 16398-17.....     | 244     | 16836.....       | 132 | 17600B.....     | 15  |
| 1517901.....    | 233 | 16024.....       | 132 | 16398-SERIES..... | 231     | 16840.....       | 132 | 17610.....      | 248 |
| 1518.....       | 344 | 16030.....       | 132 | 16420.....        | 132     | 16842.....       | 132 | 17708-01.....   | 222 |
| 15-200.....     | 499 | 16036.....       | 132 | 164228.....       | 132     | 16844.....       | 132 | 17784-01.....   | 227 |
| 15-208.....     | 499 | 16048.....       | 132 | 16424.....        | 132     | 16848.....       | 132 | 178101.....     | 53  |
| 1-52124.....    | 487 | 16086-01.....    | 230 | 16426.....        | 132     | 16-8510.....     | 497 | 178151.....     | 53  |
| 1-52134.....    | 487 | 1610002.....     | 138 | 16432.....        | 132     | 16854.....       | 132 | 178203.....     | 53  |
| 1-52154.....    | 487 | 1610004.....     | 138 | 16436.....        | 132     | 16860.....       | 132 | 17-922.....     | 93  |
| 1-52224.....    | 487 | 1610005.....     | 138 | 16440.....        | 132     | 16-860.....      | 497 | 17-923.....     | 93  |





## Part Number Index

|                      |                        |                   |                       |                   |
|----------------------|------------------------|-------------------|-----------------------|-------------------|
| 17-930.....93        | 1X4X110.5W-AAR.....346 | 211820-02.....558 | 2210Z6318.....92      | 23431--3T.....157 |
| 17-931.....93        | 2000D1/2.....13        | 211823-02.....558 | 2210Z7644.....91      | 23431--5T.....157 |
| 180000.....34        | 2000D3/8.....13        | 211P.....127      | 221-241.....469       | 23-4325P.....484  |
| 18010-01.....222     | 20015.....52           | 21-361.....491    | 221-242.....469       | 23-4625P.....484  |
| 1802005.....51       | 2005.....590           | 21-458.....492    | 2214054-ABS.....121   | 23486-01.....222  |
| 1810001.....34       | 2009-A.....52          | 2150142.....288   | 2214055-ABS.....121   | 236979N.....23    |
| 1810002.....34       | 2009-P.....52          | 2150202.....288   | 2214061-ABS.....121   | 236982N.....23    |
| 1810003.....34       | 200S.....556           | 2150204.....288   | 2214062-ABS.....121   | 238888N.....23    |
| 1820.....587         | 200Z.....556           | 2150321.....288   | 2214066-ABS.....121   | 239357N.....15    |
| 1820P2.....587       | 200ZM.....556          | 2150331.....288   | 2214P.....130         | 2400306.....287   |
| 182400.....53        | 2010-A.....52          | 215PN.....127     | 221S8157.....95       | 2400308.....287   |
| 1825.....147         | 2010-P.....52          | 215PNL.....130    | 22-2051.....482       | 2400715.....286   |
| 1826.....147         | 201-10-BX.....150      | 21600.....16      | 22-2071.....482       | 2400717.....286   |
| 1827.....147         | 201-4-BX.....150       | 216P.....130      | 22215-01.....230      | 2-402.....486     |
| 1828.....147         | 201-6-BX.....150       | 21725-01.....232  | 2224P.....130         | 2-403.....486     |
| 182800.....53        | 201-8-BX.....150       | 21835W.....615    | 2225P.....130         | 24082-01.....234  |
| 1835.....147         | 2019.....590           | 21838W.....615    | 222P.....130          | 24083-01.....234  |
| 1836.....147         | 201ZQ.....556          | 218P.....130      | 2239CAM.....606       | 240CF.....556     |
| 1837.....147         | 202032.....477         | 21969W.....614    | 22449W.....615        | 240SF.....556     |
| 18426-01.....222     | 20231--3T.....157      | 219P.....130      | 2245CAM.....606       | 240SM.....556     |
| 1845.....590         | 20231--5T.....157      | 220.....560       | 2247CAM.....606       | 24-360.....491    |
| 18508.....109        | 2023X.....52           | 2200.....591      | 2249CAM.....606       | 24711-01.....227  |
| 18509.....109        | 2024-07.....52         | 22004W.....615    | 22551W.....615        | 24712-01.....226  |
| 18510.....109        | 20271-3T80.....157     | 2200P.....130     | 22662-01.....236      | 24820-01.....227  |
| 18512.....109        | 2028.....52            | 220100-02.....558 | 22664W.....614        | 250.....560       |
| 18513.....109        | 20281--3T.....157      | 220100-05.....558 | 22771W.....615        | 2513824.....158   |
| 18514.....109        | 20289-01.....222       | 220200-02.....558 | 22888W.....615        | 2513825.....158   |
| 18515.....109        | 203-P.....188          | 2202P.....130     | 22915W.....614        | 25222-01.....232  |
| 18517.....109        | 20476-01.....232       | 2203P.....130     | 22916W.....615        | 252-241.....469   |
| 18519.....109        | 20478-01.....232       | 2210A6319.....92  | 22920W.....615        | 25-370.....492    |
| 18520.....109        | 2051.....52            | 2210A7645.....91  | 22936W.....615        | 2550.....18       |
| 18525.....109        | 205105N.....10         | 2210B6866.....95  | 22940W.....615        | 25580T.....162    |
| 18527.....109        | 20728-01.....228       | 2210B7594.....91  | 22941W.....615        | 255HTC.....556    |
| 18541.....109        | 20729-01.....228       | 2210B7958.....95  | 22962W.....615        | 255HTCL.....556   |
| 18723-01.....230     | 20730-01.....228       | 2210B7959.....95  | 229635N.....16        | 255TS.....556     |
| 18C624.....321       | 20732-01.....228       | 2210C6867.....95  | 22963W.....615        | 255TSM.....556    |
| 1900KIT.....596      | 20733-01.....228       | 2210C7595.....91  | 22971W.....614        | 2567SL-A.....556  |
| 190704.....53        | 20734-01.....229       | 2210D6868.....95  | 22-9720.....482       | 256TCL-A.....556  |
| 190754.....53        | 207-P.....188          | 2210E6869.....95  | 22980W.....615        | 259216.....471    |
| 19100.....60         | 208925-82.....611      | 2210F6870.....95  | 229859N.....13        | 259219.....471    |
| 19137-01.....226     | 208P.....127           | 2210G6871.....95  | 229938N.....23        | 260-P.....188     |
| 19360-SERIES.....231 | 209701-82.....611      | 2210H7522.....91  | 230.....560           | 26431--3T.....157 |
| 19395-03.....222     | 209P.....127           | 2210J7524.....91  | 23-123458-002.....159 | 26431--5T.....157 |
| 19468-01.....222     | 209P.....127           | 2210P7426.....91  | 23-123485-002.....159 | 264NTA.....128    |
| 19-4712.....485      | 210330.....560         | 2210Q7427.....91  | 23-123486-002.....159 | 269NTA.....128    |
| 19-4715.....485      | 210331.....560         | 2210Q8155.....95  | 23-123489-002.....159 | 270.....560       |
| 19638-01.....236     | 210333.....560         | 2210R7688.....91  | 23-123550-009.....159 | 271NTA.....128    |
| 19-6710.....485      | 210335.....560         | 2210R8156.....95  | 23-123552-009.....159 | 272NTA.....128    |
| 19-6712.....485      | 211200-95.....558      | 2210S7689.....91  | 23-123557-009.....159 | 27404PW.....182   |
| 19753-01.....236     | 211400-95.....558      | 2210T8158.....95  | 23-123572-009.....159 | 27406PW.....182   |
| 19766-01.....236     | 211680-02.....558      | 2210V7536.....91  | 23-123573-009.....159 | 274746N.....493   |
| 198250.....53        | 211680-05.....558      | 2210V7536.....91  | 23-13623.....135      | 275491N.....10    |
| 19X1084.....63       | 211681-02.....558      | 2210V7692.....91  | 23231--3T.....157     | 276566N.....15    |
| 19X127.....63        | 211740-02.....558      | 2210W7537.....91  | 23231--5T.....157     | 276567N.....15    |
| 1F-316.....60        | 211-8000.....505       | 2210W7693.....91  | 23-2628.....484       | 276599N.....11    |



### Part Number Index

|                       |                        |                      |                      |                       |
|-----------------------|------------------------|----------------------|----------------------|-----------------------|
| 277147N.....11        | 29587PG ..... 181      | 307-0723..... 163    | 320139.....27        | 342-4195..... 171     |
| 278323N.....61        | 29588PG ..... 181      | 307-0743..... 163    | 320143.....27        | 3427008.....58        |
| 278500N.....3         | 298817N..... 15        | 308-0836..... 163    | 32123 ..... 190      | 3427051 .....58       |
| 278598N.....12        | 298818N..... 15        | 308-0864..... 163    | 3218401A ..... 178   | 3429008.....58        |
| 278614N.....12        | 2-PAGE ..... 602       | 309-0903..... 163    | 3220101A ..... 178   | 3429051 .....58       |
| 278615N.....12        | 3/4X14SS ..... 348     | 309-0904..... 163    | 3230008 .....58      | 3430008.....58        |
| 278825N.....16        | 3/4X4X10SS ..... 346   | 309-0973..... 163    | 3230051 .....58      | 3430051 .....58       |
| 279000N.....11        | 3/4X4X10WH..... 346    | 30-9620P.....483     | 3230551 .....58      | 34-305.....491        |
| 279416N.....11        | 3/4X4X110.5W-HDG. 346  | 30-9621 .....483     | 3230951 .....58      | 3430551 .....58       |
| 279416N.....493       | 3/4X4X110.5WH-MFA. 346 | 30-9624 .....483     | 324-00.....207       | 3430951 .....58       |
| 279516N.....3         | 3/4X4X12WH-MFA ...346  | 30-9920P.....483     | 325614-012..... 176  | 3431047 .....58       |
| 279NTA ..... 128      | 3/4X624..... 370       | 3102301 ..... 178    | 326-00.....208       | 343-4013..... 171     |
| 2800LC..... 505       | 3/4X96 ..... 370       | 3105B210.....90      | 3269CAM..... 606     | 343-4019..... 171     |
| 280758N.....12        | 3/8X16GR70..... 592    | 3108200 ..... 177    | 3299A5981 .....60    | 343-4024..... 171     |
| 280809N.....12        | 3/8X20GR70..... 592    | 3108328 ..... 177    | 330-3009..... 172    | 343-4195..... 171     |
| 28112PW..... 182      | 300012..... 499        | 3108410 ..... 178    | 330-3013..... 172    | 343-4249..... 171     |
| 281459N.....12        | 300016..... 478        | 31-103.....491       | 330-3019..... 172    | 343-4370..... 171     |
| 281865N.....19        | 300024..... 499        | 3110300 ..... 178    | 330-3024..... 172    | 343-4372..... 171     |
| 281946N.....15        | 300-4009..... 171      | 31-14 .....627       | 330-3067..... 172    | 34512X98WH ..... 345  |
| 282472N.....16        | 30150 ..... 186        | 31-16 .....627       | 330-3107..... 172    | 34515X98WH ..... 345  |
| 283411.....61         | 30150 ..... 190        | 31-18 .....627       | 330-3118..... 172    | 34-571 .....491       |
| 284142N.....10        | 30-16 ..... 628        | 31-19 .....627       | 3306.....629         | 34-573.....491        |
| 284726N.....15        | 30-18 ..... 628        | 31-20 .....627       | 3312.....629         | 34-575.....491        |
| 285849N.....10        | 30-20 ..... 628        | 31-2053 .....484     | 3314.....629         | 34-576.....491        |
| 285850.....10         | 30-2050 .....483       | 31-21 .....627       | 33220 ..... 190      | 34-577 .....491       |
| 286171N.....23        | 30-2051 .....483       | 31-22 .....627       | 3-327 .....483       | 34644 ..... 190       |
| 286364N.....17        | 30-2070 .....483       | 31-24 .....627       | 33272W ..... 621     | 347-4009..... 175     |
| 286452N.....12        | 30-2071P .....483      | 3126314 ..... 178    | 33273W ..... 621     | 347-4075..... 175     |
| 286500N.....11        | 30-22 ..... 628        | 31305 ..... 134      | 33274W ..... 621     | 348-4009..... 171     |
| 28682T ..... 162      | 30-24 ..... 628        | 3131421 ..... 178    | 33276W ..... 621     | 349-4009..... 171     |
| 286875RX ..... 7      | 3030SN2K.....59        | 3131700S..... 178    | 3-329 .....483       | 35-00 .....211        |
| 286876RX ..... 7      | 3030SN3K.....59        | 3131703 ..... 178    | 3350..... 187        | 350-0013..... 613     |
| 286965N.....61        | 3030SN3ULK.....59      | 3131703S..... 178    | 33968W ..... 621     | 350-0015..... 613     |
| 287417X.....15        | 3030TL2 .....59        | 3131704 ..... 178    | 33969W ..... 621     | 350-0030..... 613     |
| 288251N.....13        | 3030TN2.....59         | 3131704S..... 178    | 33970W ..... 621     | 350-0038..... 613     |
| 288605N.....11        | 3030TN2-HNTRX.....59   | 3136300 ..... 178    | 340-0037..... 613    | 350-0044..... 613     |
| 289043N.....7         | 3030TN3.....59         | 3137300 ..... 178    | 34013088L ..... 276  | 350-0077..... 613     |
| 289182N.....13        | 3030TN3-HNTRX.....59   | 3137400 ..... 178    | 340-4013..... 171    | 350-0107..... 613     |
| 289397N.....11        | 3030TN3UL-2923.....59  | 31402 ..... 134      | 340-4019..... 171    | 35036W ..... 621      |
| 289397N.....493       | 303-4009..... 171      | 31403 ..... 134      | 340-4024..... 171    | 35103W ..... 617      |
| 289714N.....13        | 30356 ..... 186        | 315003.....507       | 340-4075..... 171    | 3510A.....560         |
| 29014 SERIES..... 323 | 30356 ..... 190        | 3-16-38.....222      | 340-4095..... 171    | 3512.....629          |
| 29016 SERIES..... 323 | 30366 ..... 186        | 31868175PW ..... 181 | 340-4195..... 171    | 3520.....629          |
| 29018 SERIES..... 323 | 30366 ..... 190        | 31-9623 .....484     | 340-4370..... 171    | 35228W ..... 621      |
| 29020 SERIES..... 323 | 30391225PW ..... 181   | 3196522 ..... 177    | 340-4372..... 171    | 35229 ..... 190       |
| 29039PW..... 182      | 30391245PW ..... 181   | 3197522 ..... 177    | 340-4975..... 171    | 352-4009..... 171     |
| 29044W ..... 619      | 30-4321 .....484       | 31A-700.....489      | 340-5096..... 171    | 352-4195..... 171     |
| 29102W ..... 619      | 30-4621P .....484      | 31A-925.....489      | 34211.5X98..... 345  | 35-306.....491        |
| 29202W ..... 619      | 30-4624 .....484       | 31S-750.....489      | 34211X98WH ..... 345 | 3531051 .....58       |
| 29229 ..... 606       | 30-4921 .....484       | 31S-925.....489      | 34-212.....491       | 3532-725-55 ..... 592 |
| 29300PW..... 182      | 3059.....236           | 320121 .....27       | 34212X98WH ..... 345 | 35370W ..... 618      |
| 29308W ..... 619      | 30605 ..... 186        | 320122 .....27       | 34-215.....491       | 35373W ..... 621      |
| 29403W ..... 619      | 30605 ..... 190        | 320123 .....27       | 34215X98WH ..... 345 | 354-00.....208        |
| 29503W ..... 619      | 30609 ..... 190        | 320124 .....27       | 34-218.....491       | 35409W ..... 621      |
| 29584PG ..... 181     | 307-0713..... 163      | 320132 .....27       | 342-4009..... 171    | 35429 ..... 190       |



## Part Number Index

|                  |     |               |     |                   |     |                |     |                  |     |
|------------------|-----|---------------|-----|-------------------|-----|----------------|-----|------------------|-----|
| 355-00.....      | 208 | 360-0065..... | 613 | 3782T.....        | 162 | 39542T.....    | 328 | 401265.....      | 174 |
| 35500W.....      | 621 | 3606.....     | 587 | 3800.....         | 18  | 39582.....     | 328 | 401471.....      | 174 |
| 3558045X.....    | 4   | 3607.....     | 587 | 380001A.....      | 169 | 39582T.....    | 329 | 401526.....      | 174 |
| 3558072X.....    | 4   | 3608.....     | 587 | 380003A.....      | 169 | 39590T.....    | 162 | 401-G.....       | 188 |
| 356-00.....      | 208 | 36131.....    | 135 | 380022A.....      | 169 | 39D12.....     | 211 | 4030.....        | 560 |
| 35618W.....      | 617 | 36132.....    | 135 | 380025A.....      | 169 | 3-A1-64.....   | 244 | 40364W.....      | 618 |
| 356-4009.....    | 171 | 36153.....    | 136 | 380031A.....      | 169 | 3-A66-43.....  | 244 | 4042PR.....      | 351 |
| 3570-035-05..... | 592 | 36253.....    | 136 | 380036A.....      | 169 | 3C-SMOKE.....  | 480 | 4043.....        | 351 |
| 3570-045-05..... | 592 | 363-00.....   | 206 | 380048A.....      | 169 | 3M-59343.....  | 488 | 4044.....        | 351 |
| 3570-305-05..... | 592 | 3630051.....  | 58  | 380065A.....      | 169 | 3M-59351.....  | 488 | 4050.....        | 560 |
| 3570-405-05..... | 592 | 365-00.....   | 208 | 3811A.....        | 560 | 3M-59355.....  | 488 | 4064.....        | 352 |
| 35733W.....      | 617 | 365-01.....   | 208 | 3820.....         | 587 | 3X50.....      | 467 | 4077.....        | 352 |
| 3577.....        | 629 | 368-4009..... | 171 | 383-0101.....     | 164 | 4000273.....   | 573 | 4085.....        | 352 |
| 35777W.....      | 621 | 368-4195..... | 171 | 383-0136.....     | 164 | 4000504.....   | 573 | 4090.....        | 351 |
| 35787W.....      | 621 | 370001A.....  | 169 | 383-0139.....     | 164 | 4000507.....   | 573 | 4090.....        | 352 |
| 35788W.....      | 621 | 370003A.....  | 169 | 383-0153.....     | 164 | 4000531.....   | 573 | 4099.....        | 498 |
| 35789W.....      | 621 | 370005A.....  | 169 | 383-0156.....     | 164 | 4000588.....   | 573 | 4101481.....     | 353 |
| 35799W.....      | 621 | 370014A.....  | 169 | 383-0164.....     | 164 | 4000641.....   | 573 | 4101483.....     | 359 |
| 35800W.....      | 621 | 370021A.....  | 169 | 383-0166.....     | 164 | 4000644.....   | 573 | 4101483.....     | 457 |
| 35806W.....      | 621 | 370022A.....  | 169 | 383-0171.....     | 164 | 4000647.....   | 573 | 4102720.....     | 572 |
| 35808W.....      | 621 | 370023A.....  | 169 | 383-0175.....     | 164 | 400066.....    | 507 | 41097W.....      | 619 |
| 358-4009.....    | 171 | 370025A.....  | 169 | 383-0176.....     | 164 | 400-10001..... | 65  | 4-121.....       | 499 |
| 358-4195.....    | 171 | 370031A.....  | 169 | 383-0236.....     | 166 | 400-10008..... | 65  | 4122W.....       | 620 |
| 35853W.....      | 616 | 370036A.....  | 169 | 383-0239.....     | 166 | 400-10070..... | 65  | 4127040087X..... | 4   |
| 35898W.....      | 617 | 370037A.....  | 169 | 383-0264.....     | 166 | 400-10072..... | 65  | 41362SP.....     | 181 |
| 35899W.....      | 617 | 370047A.....  | 169 | 3831051.....      | 58  | 400-10121..... | 65  | 41365W.....      | 620 |
| 35907W.....      | 617 | 370048A.....  | 169 | 3832008.....      | 58  | 400-10140..... | 65  | 41366W.....      | 620 |
| 3591.....        | 629 | 370065A.....  | 169 | 3832051.....      | 58  | 400-10141..... | 65  | 41367W.....      | 620 |
| 35910W.....      | 617 | 370120A.....  | 169 | 38X80.....        | 633 | 400-10142..... | 65  | 41378W.....      | 620 |
| 35933W.....      | 617 | 370131A.....  | 169 | 39000-1002FG..... | 321 | 400-10143..... | 65  | 41430W.....      | 620 |
| 35933W.....      | 618 | 370132A.....  | 169 | 39000-1012FG..... | 321 | 400-10144..... | 65  | 41431W.....      | 620 |
| 35936W.....      | 621 | 370150A.....  | 169 | 39000-1016FG..... | 321 | 400-10146..... | 65  | 41436W.....      | 620 |
| 35937W.....      | 621 | 370169A.....  | 169 | 3920A-MDOT.....   | 557 | 400-10155..... | 65  | 4147.....        | 352 |
| 35938W.....      | 621 | 370182A.....  | 169 | 392-9088.....     | 165 | 400-10156..... | 65  | 41472W.....      | 620 |
| 359-5912.....    | 172 | 370199A.....  | 169 | 392-9089.....     | 165 | 400-10211..... | 65  | 41473W.....      | 620 |
| 359-5930.....    | 172 | 370211A.....  | 169 | 392-9094.....     | 165 | 400-10212..... | 65  | 41474W.....      | 620 |
| 359-5995.....    | 172 | 370212A.....  | 169 | 392-9096.....     | 165 | 400-10213..... | 65  | 41476W.....      | 620 |
| 359-5999.....    | 172 | 370219A.....  | 169 | 392-9099.....     | 165 | 400-10214..... | 65  | 41477W.....      | 620 |
| 359-6095.....    | 172 | 37026.....    | 591 | 392-9112.....     | 165 | 400-10216..... | 65  | 4148.....        | 352 |
| 359-6095.....    | 175 | 3703.....     | 236 | 392-9130.....     | 165 | 400-10304..... | 65  | 41532W.....      | 620 |
| 359-6117.....    | 172 | 37-03.....    | 231 | 392-9131.....     | 165 | 400-10305..... | 65  | 41630W.....      | 620 |
| 359-6125.....    | 171 | 3720T.....    | 162 | 392-9132.....     | 165 | 400-10306..... | 65  | 41644SP.....     | 181 |
| 359-6137.....    | 171 | 372-7095..... | 165 | 393-0103.....     | 164 | 400-20211..... | 65  | 41644XP.....     | 181 |
| 359-6140.....    | 172 | 372-7097..... | 165 | 393-0104.....     | 164 | 400-20212..... | 65  | 41653W.....      | 618 |
| 35972W.....      | 617 | 372-7098..... | 165 | 393-0112.....     | 164 | 400-20213..... | 65  | 41654W.....      | 618 |
| 35975W.....      | 621 | 372-7099..... | 165 | 393-0115.....     | 164 | 400-20214..... | 65  | 41655W.....      | 618 |
| 35976W.....      | 621 | 373-0113..... | 164 | 393-0134.....     | 164 | 400-20216..... | 65  | 41769W.....      | 620 |
| 35977W.....      | 621 | 373-0123..... | 164 | 393-0148.....     | 164 | 4005.....      | 351 | 41832W.....      | 620 |
| 35978W.....      | 621 | 373-0143..... | 164 | 393-0173.....     | 164 | 4006PR.....    | 351 | 41832W.....      | 620 |
| 35979W.....      | 621 | 373-0144..... | 164 | 393-0203.....     | 166 | 4011.....      | 351 | 41891W.....      | 618 |
| 35980W.....      | 621 | 373-0191..... | 164 | 393-0204.....     | 166 | 4011.....      | 352 | 41893W.....      | 618 |
| 35983W.....      | 617 | 373-0213..... | 166 | 393-0212.....     | 166 | 401199.....    | 174 | 41895W.....      | 618 |
| 360-00.....      | 206 | 373-0223..... | 166 | 393-0273.....     | 166 | 4012.....      | 351 | 41896W.....      | 618 |
| 360-0008.....    | 613 | 373-0243..... | 166 | 39504-1.....      | 328 | 4012.....      | 352 | 41897W.....      | 618 |
| 360-0058.....    | 613 | 376590A.....  | 169 | 39504-2.....      | 328 | 401237V.....   | 174 | 41898W.....      | 618 |



Part Number Index

|                   |                      |                     |                     |                         |
|-------------------|----------------------|---------------------|---------------------|-------------------------|
| 41899W.....618    | 43719W.....619       | 48100230.....267    | 500054.....507      | 51038T.....330          |
| 41909W.....618    | 439290-95.....558    | 48100250.....267    | 500055.....507      | 51078.....328           |
| 41991W.....618    | 439411-95.....558    | 48100264.....267    | 5001201.....7       | 511-1-109-2.....378     |
| 41994W.....618    | 440-2.....372        | 48100267.....250    | 5001247.....7       | 511-1-109-2-2.....378   |
| 420200-02.....558 | 440-3.....372        | 48100267.....267    | 5002595.....6       | 511-1-130A.....378      |
| 420400-02.....558 | 440TX20.....372      | 48100320.....267    | 5002713X.....2      | 511-1-130B.....378      |
| 4207.....351      | 440TX25.....372      | 48100329.....267    | 5002741.....14      | 51-13.....628           |
| 4208.....351      | 440TX30.....372      | 48100383.....267    | 5002868X.....3      | 51-15.....628           |
| 4208.....352      | 440TX40.....372      | 48100385.....268    | 5002983X.....2      | 51-16.....628           |
| 42100026.....264  | 441004.....136       | 48100389.....268    | 5002984X.....2      | 51-18.....628           |
| 42110042.....265  | 441014.....136       | 48100394.....263    | 5003547.....8       | 51-20.....628           |
| 42129W.....619    | 441102.....136       | 48100394.....268    | 5003838.....6       | 51-22111.....530        |
| 42130W.....619    | 441103.....136       | 48100395.....268    | 5004049.....8       | 512720.....588          |
| 42185W.....620    | 441169.....136       | 48100396.....268    | 5004187X.....3      | 512784.....588          |
| 42246W.....620    | 441170.....136       | 48100406.....263    | 5004188X.....3      | 51301.....16            |
| 422721.....587    | 441721.....137       | 48100406.....268    | 5004338.....6       | 513020.....588          |
| 423021.....587    | 44299W.....619       | 48100427.....268    | 5004339.....6       | 51321.....16            |
| 423040.....587    | 44638W.....619       | 48100449.....268    | 5004340.....6       | 513-5-600-1166A12..405  |
| 42447W.....619    | 44695000L.....276    | 48100450.....268    | 5004341X.....6      | 513-5-600-1166E12..405  |
| 4245CAM.....606   | 447-4723.....109     | 48100462.....259    | 5004342X.....6      | 513-5-600-1250A12..405  |
| 4247CAM.....606   | 447-4743.....109     | 48100463.....259    | 5004381.....6       | 513-5-686-1226-A....405 |
| 4249CAM.....606   | 448-4836.....109     | 48100464.....259    | 5004479.....6       | 514-3-145A-2.....408    |
| 427-10553.....65  | 448-4837.....109     | 48100465.....262    | 5004480.....6       | 514-3-152B.....408      |
| 427-10558.....65  | 449-4904.....109     | 48100466.....262    | 5004613X.....3      | 515-10-65.....357       |
| 42716W.....619    | 449-4973.....109     | 48100467.....262    | 5004614X.....3      | 515-10-78-1.....357     |
| 42758W.....620    | 449-4974.....109     | 48100471.....263    | 5005037.....6       | 515-10-78-2.....357     |
| 42759W.....620    | 449-4975.....109     | 48F.....127         | 5005309N.....7      | 515-11-29.....359       |
| 42761W.....620    | 450112-02.....558    | 49011W.....619      | 5005624.....7       | 515-11-29.....457       |
| 42763W.....620    | 452341.....558       | 49012W.....619      | 5005893.....6       | 515-11-37-2.....359     |
| 42855W.....620    | 45280T.....162       | 49015W.....619      | 5005972N.....7      | 515-11-37-2.....457     |
| 42857W.....620    | 454101HL-25.....558  | 49064W.....619      | 5008414.....7       | 515-9-71A.....360       |
| 42858W.....620    | 45410HL-02.....558   | 49159W.....619      | 5008414.....8       | 515-9-82-2.....360      |
| 429-0002.....166  | 4544201HL-02.....558 | 49160W.....619      | 5008414PG.....7     | 515-A10-13.....357      |
| 429-0003.....166  | 45477000L.....276    | 49161W.....619      | 5008414PG.....8     | 51-902.....492          |
| 429-0004.....166  | 456-G.....188        | 49162W.....619      | 5009378PGX.....5    | 51-904.....492          |
| 429-0005.....166  | 45727W.....619       | 49215-1-130.....322 | 5009378X.....5      | 52-14.....628           |
| 429-0006.....166  | 4652.....563         | 49431T.....330      | 5010696X.....8      | 52-15.....628           |
| 429-0007.....166  | 47691000L.....276    | 49432T.....330      | 50-109-13-1.....467 | 52-16.....628           |
| 429-0008.....166  | 480-2.....372        | 49458-1T.....322    | 5011016X.....2      | 52-18.....628           |
| 429-0009.....166  | 480-3X.....372       | 49497-1-112.....322 | 5011327.....7       | 52-20.....628           |
| 429-0010.....166  | 480TX30.....372      | 49622-1T.....322    | 5011623.....3       | 52-216.....494          |
| 429-0011.....166  | 480TX40.....372      | 49895-5-140.....322 | 5012533X.....2      | 52-252.....491          |
| 429-0012.....166  | 480TX45.....372      | 49895-6-140.....322 | 5012561N.....7      | 52-253.....491          |
| 42937W.....620    | 480TX50.....372      | 4-A1-224L.....316   | 50-18Z-487.....373  | 52-305.....492          |
| 42938W.....620    | 480TX55.....372      | 4-A1-224R.....316   | 50408PG.....182     | 52-307.....492          |
| 42939W.....620    | 48100033.....266     | 4-A8-9.....416      | 50408PW.....182     | 52-400.....492          |
| 42940W.....620    | 48100108.....266     | 4-A8-9-1.....416    | 50409PW.....182     | 52-624P.....492         |
| 42F.....127       | 48100110.....266     | 4X50.....467        | 50487PW.....182     | 53042W.....620          |
| 42X80.....633     | 48100144.....266     | 4X50WH.....467      | 5056.....64         | 53-123512-002.....154   |
| 43001.....590     | 48100202.....266     | 5/16X20GR70.....592 | 50-71-105B.....467  | 53-123537-002.....154   |
| 43002.....590     | 48100206.....266     | 5/16X25GR70.....592 | 50857000.....199    | 53-123542-002.....154   |
| 43321W.....619    | 48100215.....266     | 50,000-3.....300    | 50-B18K-45.....373  | 53-123564-002.....154   |
| 43-7033.....101   | 48100216.....266     | 5000205X.....5      | 50-B18Q-19.....373  | 53-123566-002.....154   |
| 43-7117.....102   | 48100225.....250     | 500052.....507      | 50-B18Q-7.....373   | 53-123568-002.....154   |
| 43-7118.....102   | 48100225.....267     | 500053.....507      | 51,000.....301      | 53-123608-002.....154   |



## Part Number Index

|                  |     |                     |         |                      |         |                    |     |                      |     |
|------------------|-----|---------------------|---------|----------------------|---------|--------------------|-----|----------------------|-----|
| 532-9-52-1.....  | 350 | 59-16.....          | 628     | 6125-16.....         | 150     | 650-0626.....      | 175 | 66884.....           | 153 |
| 532-9-54-1.....  | 350 | 59-18.....          | 628     | 6125-20.....         | 150     | 650-0677.....      | 175 | 66884B.....          | 151 |
| 5400.....        | 11  | 59193.....          | 328     | 61352T.....          | 330     | 65060U.....        | 170 | 66892.....           | 153 |
| 54-115.....      | 494 | 59-20.....          | 628     | 61362XP.....         | 181     | 65071.....         | 170 | 66893.....           | 153 |
| 54-120.....      | 494 | 592AT.....          | 162     | 61398.....           | 328     | 651201.....        | 589 | 66895.....           | 153 |
| 54-125.....      | 494 | 593021.....         | 588     | 61401T.....          | 330     | 65131-5-130-12.... | 405 | 67518.....           | 153 |
| 54-130.....      | 494 | 593T.....           | 162     | 61527.....           | 153     | 6513-5-151-1216..  | 405 | 68000903.....        | 634 |
| 54-140.....      | 494 | 59-428RPL.....      | 208     | 61528.....           | 153     | 65152.....         | 153 | 68000905.....        | 634 |
| 54-530.....      | 494 | 594AT.....          | 162     | 61780.....           | 153     | 65156U.....        | 170 | 68100004.....        | 634 |
| 5500.....        | 52  | 594T.....           | 162     | 61788.....           | 153     | 651601.....        | 589 | 68100005.....        | 634 |
| 5-5007.....      | 499 | 598AT.....          | 162     | 61991.....           | 153     | 65162.....         | 153 | 68100006.....        | 634 |
| 55054.....       | 498 | 60 Series Shocks... | 202     | 61NTA.....           | 128     | 65166.....         | 153 | 68100024.....        | 634 |
| 5515-100.....    | 148 | 600012.....         | 507     | 6-202.....           | 488     | 65167.....         | 153 | 68200008.....        | 634 |
| 5515-125.....    | 148 | 6001-A3-101B.....   | 374     | 6-204.....           | 488     | 65262U.....        | 170 | 68200100.....        | 634 |
| 5515-150.....    | 148 | 6002S.....          | 21      | 6-206.....           | 488     | 65263U.....        | 170 | 68200102.....        | 634 |
| 5515-175.....    | 148 | 6002S.....          | 127     | 6-207.....           | 488     | 653T665AT.....     | 162 | 68220014.....        | 634 |
| 5515-200.....    | 148 | 6003.....           | 21      | 62117.....           | 153     | 65514.....         | 153 | 68230008.....        | 634 |
| 5515-225.....    | 148 | 6003.....           | 127     | 62200.....           | 153     | 65541.....         | 153 | 68230014.....        | 634 |
| 5515-250.....    | 148 | 6006.....           | 21      | 62240.....           | 153     | 65545.....         | 153 | 68760.....           | 153 |
| 5515-275.....    | 148 | 6006.....           | 127     | 6253.....            | 606     | 65547.....         | 153 | 68765.....           | 153 |
| 5515-300.....    | 148 | 6011655-ABS.....    | 122     | 62670.....           | 153     | 65548.....         | 153 | 68845.....           | 153 |
| 5515-350.....    | 148 | 6011657-ABS.....    | 122     | 6298-04.....         | 631     | 65554.....         | 153 | 68891.....           | 153 |
| 5515-400.....    | 148 | 6011658-ABS.....    | 122     | 62997.....           | 153     | 65556.....         | 170 | 68897.....           | 153 |
| 5526-038X50..... | 148 | 60-2520-20.....     | 497     | 62NTA.....           | 128     | 65560.....         | 170 | 68958.....           | 153 |
| 5526-050X50..... | 148 | 6040011.....        | 286-287 | 6300BFAB13.....      | 251     | 65562.....         | 170 | 68981.....           | 153 |
| 5526-062X50..... | 148 | 6040029.....        | 286     | 6301BFAB13.....      | 251     | 65563.....         | 170 | 68NTA.....           | 128 |
| 5526-075X50..... | 148 | 6040029.....        | 286-287 | 6301BFAB13..         | 286-287 | 65600.....         | 153 | 69000913.....        | 606 |
| 5526-100X50..... | 148 | 6040058.....        | 286-287 | 63062RS.....         | 162     | 65651.....         | 153 | 69000913.....        | 634 |
| 552721.....      | 588 | 60826000.....       | 276     | 6321BFAB13.....      | 251     | 65670.....         | 153 | 69035T.....          | 330 |
| 552AT.....       | 162 | 60876.....          | 153     | 6321BFAB13..         | 286-287 | 65710.....         | 153 | 69085.....           | 328 |
| 5543.....        | 498 | 60879000L.....      | 276     | 63617.....           | 153     | 65-84.....         | 489 | 69111.....           | 328 |
| 5555T.....       | 162 | 6090-4-1059-625..   | 401     | 63631.....           | 153     | 660001.....        | 590 | 69162.....           | 328 |
| 5580Z--AT.....   | 156 | 60NTA.....          | 128     | 63635.....           | 153     | 6601-16-16.....    | 150 | 69162T.....          | 330 |
| 5582.....        | 498 | 610-0006.....       | 175     | 63637.....           | 153     | 6602-16-16.....    | 150 | 69325.....           | 328 |
| 5582-10.....     | 498 | 610-0007.....       | 175     | 63647.....           | 153     | 66064.....         | 51  | 69353.....           | 328 |
| 55850ZOH.....    | 160 | 610-0011.....       | 175     | 63680.....           | 153     | 6614053.....       | 122 | 69433T.....          | 330 |
| 563T.....        | 162 | 610-0024.....       | 175     | 63NNTA.....          | 128     | 6614054-ABS.....   | 122 | 69571T.....          | 330 |
| 565E.....        | 629 | 610-0028.....       | 175     | 640-0001.....        | 175     | 6614055-ABS.....   | 122 | 69572T.....          | 330 |
| 567T.....        | 162 | 610-0065.....       | 175     | 640-0003.....        | 175     | 6614059-ABS.....   | 122 | 697097.....          | 560 |
| 572T.....        | 162 | 610-0084.....       | 175     | 64050.....           | 153     | 6614061-ABS.....   | 122 | 69807T.....          | 328 |
| 57977000.....    | 276 | 61009.....          | 174     | 641201.....          | 589     | 6614062-ABS.....   | 122 | 69832T.....          | 330 |
| 580T.....        | 162 | 6-102.....          | 488     | 641601.....          | 589     | 66353.....         | 153 | 69840.....           | 328 |
| 5820.....        | 587 | 6-103.....          | 488     | 642001.....          | 589     | 663T.....          | 162 | 69922.....           | 328 |
| 582T.....        | 162 | 6-104.....          | 488     | 6420T.....           | 162     | 66610000H.....     | 276 | 69964-1.....         | 328 |
| 586191-900.....  | 243 | 6-105.....          | 488     | 6461AT.....          | 162     | 66661000H.....     | 276 | 69964-2.....         | 328 |
| 590-1.....       | 188 | 6105-16.....        | 150     | 65 Series Shocks.... | 201     | 66681000H.....     | 276 | 69986-1T.....        | 330 |
| 590-2.....       | 188 | 6105-20.....        | 150     | 650-0532.....        | 175     | 66800.....         | 153 | 69986-2T.....        | 330 |
| 59020.....       | 328 | 6-106.....          | 488     | 650-0539.....        | 175     | 66807.....         | 153 | 6X50.....            | 467 |
| 590-3.....       | 188 | 6-107.....          | 488     | 650-0587.....        | 175     | 66814.....         | 153 | 7/8X3X11.....        | 211 |
| 59129-1T.....    | 330 | 6108-16.....        | 150     | 650-0598.....        | 175     | 66854.....         | 153 | 7/8X3X12.....        | 211 |
| 59129-2T.....    | 330 | 6109-16.....        | 150     | 650-0601.....        | 175     | 66864.....         | 153 | 7/8X3X13.....        | 211 |
| 59-13.....       | 628 | 61174T.....         | 330     | 650-0605.....        | 175     | 66864B.....        | 151 | 7/8X3X14.....        | 211 |
| 59-15.....       | 628 | 61196T.....         | 330     | 650-0608.....        | 175     | 66865.....         | 153 | 7/8X48X120.....      | 413 |
| 59157-3T.....    | 330 | 61223.....          | 328     | 650-0610.....        | 175     | 66873.....         | 153 | 7/8X5X12.....        | 211 |
| 59157-4T.....    | 330 | 61229.....          | 328     | 650-0613.....        | 175     | 66875.....         | 153 | 70 Series Shocks.... | 202 |



Part Number Index

|                         |                       |                       |                      |                   |
|-------------------------|-----------------------|-----------------------|----------------------|-------------------|
| 70.103.19 ..... 632     | 70224T ..... 330      | 712934-01 ..... 239   | 76229--A ..... 156   | 7896-300..... 148 |
| 70.120.05 ..... 632     | 70232 ..... 328       | 712934-01 ..... 240   | 76229GCA ..... 156   | 7896-400..... 148 |
| 70.120.09 ..... 632     | 70236 ..... 328       | 712935-01 ..... 240   | 7701-01 ..... 228    | 78DT-84..... 489  |
| 70.122.05 ..... 632     | 70236T ..... 330      | 712937-01 ..... 240   | 7701-07 ..... 229    | 790-2 ..... 188   |
| 70.147.05 ..... 632     | 70238 ..... 328       | 712939-01 ..... 239   | 7701-08 ..... 229    | 800034..... 14    |
| 70.961.12 ..... 632     | 7028-00 ..... 231     | 712939-01 ..... 240   | 7702-01 ..... 226    | 80007 ..... 590   |
| 70.981.18 ..... 632     | 7030-00 ..... 231     | 712944-01 ..... 239   | 7702-02 ..... 226    | 800142..... 14    |
| 700-17-449..... 145     | 703040-01 ..... 236   | 712944-01 ..... 240   | 7702-03 ..... 226    | 80022 ..... 480   |
| 700-17-463..... 136     | 703040-02 ..... 236   | 712946-01 ..... 239   | 7702-05 ..... 226    | 800243..... 5     |
| 700-4-420L..... 317     | 70305 ..... 328       | 712946-01 ..... 240   | 7703-01 ..... 228    | 800257..... 14    |
| 700-4-420R..... 317     | 70305T ..... 330      | 712947-01 ..... 240   | 7703-07 ..... 229    | 800259..... 14    |
| 700-4-421L..... 317     | 70306 SERIES..... 328 | 712947-02 ..... 240   | 7703-08 ..... 229    | 800332..... 13    |
| 700-4-421R..... 317     | 70311 ..... 328       | 712947-03 ..... 240   | 7707-14 ..... 230    | 800333..... 13    |
| 700-4-457 ..... 317     | 70311T ..... 330      | 712947-04 ..... 240   | 7714047-ABS..... 120 | 800361..... 10    |
| 700-4-481 ..... 317     | 70313 ..... 328       | 712998-01 ..... 239   | 7714048-ABS..... 120 | 800370..... 12    |
| 700-4-501L..... 317     | 70338 ..... 328       | 712998-01 ..... 240   | 7714050-ABS..... 120 | 800372..... 12    |
| 700-4-501R..... 317     | 704032 ..... 601      | 712999-01 ..... 239   | 7714054-ABS..... 120 | 800373..... 12    |
| 700-50-28 ..... 373     | 70411-1 ..... 321     | 712999-01 ..... 240   | 7714055-ABS..... 120 | 800375..... 12    |
| 700-50-29 ..... 373     | 70411-2 ..... 321     | 71411X98 ..... 345    | 7714057-ABS..... 120 | 800376..... 12    |
| 700-50-30 ..... 373     | 70-4-1988P-0-112.405  | 71411X98WH ..... 345  | 7714058-ABS..... 120 | 800383..... 8     |
| 700-50-31 ..... 373     | 70465-2816..... 328   | 71412X98 ..... 345    | 7714061-ABS..... 120 | 800405..... 6     |
| 700-513-27-26 ..... 411 | 70493T ..... 328      | 71412X98WH ..... 345  | 7714062-ABS..... 120 | 800477..... 19    |
| 700-513-29..... 413     | 705104 ..... 601      | 71413X98WH ..... 345  | 7714067-ABS..... 120 | 800481..... 19    |
| 700-514-31 ..... 414    | 705333 ..... 601      | 71415X98 ..... 345    | 7715-0002 ..... 148  | 800516..... 14    |
| 700-515-141 ..... 360   | 705335 ..... 601      | 71415X98WH ..... 345  | 7723..... 148        | 800517..... 14    |
| 700-515-149 ..... 359   | 70596 ..... 170       | 71418X98 ..... 345    | 7727-0001 ..... 148  | 800518..... 14    |
| 700-515-33..... 360     | 70598 ..... 170       | 714623..... 600       | 7731-0001 ..... 148  | 800519..... 14    |
| 700-532-13..... 350     | 706-01..... 230       | 715-00 ..... 231      | 7732-0001 ..... 148  | 800521..... 14    |
| 70057T..... 330         | 70799 ..... 170       | 716037 ..... 314      | 7747-01 ..... 231    | 800523..... 14    |
| 70058T..... 330         | 708501 ..... 600      | 716059..... 314       | 7755-0002 ..... 148  | 800573..... 14    |
| 700-7-155 ..... 244     | 708502 ..... 600      | 719-02 ..... 231      | 77710B..... 152      | 800622..... 14    |
| 700-99-129..... 481     | 708503 ..... 600      | 722-00 ..... 231      | 777717-475..... 176  | 800629..... 23    |
| 700-99-130..... 481     | 708508 ..... 600      | 722-00 ..... 244      | 777717-490..... 176  | 800631..... 14    |
| 700-99-186..... 467     | 708509 ..... 600      | 723065..... 601       | 777717-494..... 176  | 800633..... 23    |
| 700-99-193..... 467     | 708515 ..... 600      | 7272-04 ..... 631     | 777717-500..... 176  | 800686..... 5     |
| 700-99-307-20 ..... 479 | 708521 ..... 600      | 7282-04 ..... 631     | 777717-514..... 176  | 80078 ..... 480   |
| 700-99-310-20 ..... 479 | 710-00..... 231       | 741805..... 313       | 777717-520..... 176  | 800887..... 7     |
| 700-99-312-20 ..... 479 | 710001 ..... 507      | 742089..... 313       | 777717-525..... 176  | 800972..... 7     |
| 700-99-39-20..... 479   | 710002 ..... 507      | 742119..... 313       | 777717-572..... 176  | 8010669N..... 10  |
| 700-99-41-20..... 479   | 7100100 ..... 139     | 743278..... 463       | 777717-676..... 176  | 801116..... 10    |
| 700-99-42-20..... 479   | 710011 ..... 507      | 743279..... 463       | 77800BW ..... 152    | 8011979 ..... 156 |
| 700-99-43-20..... 479   | 7100110 ..... 139     | 750-03 ..... 226      | 77854BW ..... 152    | 801236..... 40    |
| 700-99-44-20..... 479   | 7100120 ..... 139     | 751-01 ..... 209      | 77864BW ..... 152    | 801266..... 8     |
| 700-99-45-20..... 479   | 7100200 ..... 139     | 7511-1-125B ..... 378 | 7800..... 18         | 8013806 ..... 157 |
| 700-99-550..... 467     | 7100210 ..... 139     | 7511-A1-05 ..... 382  | 7820..... 587        | 8013807 ..... 157 |
| 700-99-561-20 ..... 479 | 71092-01 ..... 277    | 7511-A1-06L ..... 382 | 7820LH ..... 587     | 8013808 ..... 157 |
| 700-99-68-20..... 479   | 712-01..... 229       | 7511-A1-06R..... 382  | 7820P2..... 587      | 8013809 ..... 157 |
| 7010-00 ..... 230       | 712-11..... 230       | 7511-A1-08 ..... 382  | 7884-100..... 148    | 8013810 ..... 157 |
| 70105 ..... 328         | 712-12..... 230       | 7513-5-044-1166 .405  | 7884-200..... 148    | 8013811 ..... 157 |
| 70125T..... 330         | 712931-01 ..... 239   | 752-01 ..... 209      | 7884-250..... 148    | 801479..... 40    |
| 70131 ..... 328         | 712931-01 ..... 240   | 752-05 ..... 209      | 7884-300..... 148    | 801481..... 40    |
| 702-01 ..... 229        | 712932-01 ..... 239   | 7554-25 ..... 352     | 7884-400..... 148    | 801526..... 14    |
| 702-11 ..... 230        | 712932-01 ..... 240   | 756-00..... 231       | 7896-100..... 148    | 801534..... 40    |
| 702-12 ..... 230        | 712933-01 ..... 239   | 759-00..... 231       | 7896-200..... 148    | 801541..... 40    |
| 70223T..... 328         | 712933-01 ..... 240   | 7620-00 ..... 243     | 7896-250..... 148    | 801543..... 40    |



## Part Number Index

|                      |                   |                         |                           |                     |
|----------------------|-------------------|-------------------------|---------------------------|---------------------|
| 801546.....40        | 81-CLIP ..... 605 | 8-662 ..... 490         | 90-4-1801-0-100 ... 408   | 91-22 ..... 628     |
| 801549.....40        | 8200235 ..... 503 | 8700008 ..... 505       | 90-4-1962-0-120 ... 348   | 9-150 ..... 490     |
| 801552.....40        | 8200308 ..... 503 | 8700016 ..... 505       | 90-4-2028-0-102 ... 374   | 919-10..... 3       |
| 801665.....40        | 820-0327..... 613 | 8700017 ..... 505       | 90-4-2033P-0-112.... 405  | 9200H ..... 557     |
| 801666.....40        | 8200417 ..... 503 | 8700018 ..... 505       | 90-4-2236-0-114 ... 348   | 9200HM..... 557     |
| 8017141P.....58      | 8200433 ..... 503 | 8700047 ..... 505       | 90-4-2305-240 ..... 395   | 9200SM ..... 557    |
| 8017830P.....58      | 8200434 ..... 503 | 87101B..... 155         | 90-4-2305-625 ..... 395   | 9200SQ..... 557     |
| 8017836P.....58      | 820-3237..... 613 | 87156B..... 155         | 90-4-2313-0-73..... 401   | 920109..... 507     |
| 8018-01 ..... 222    | 8-2121 ..... 490  | 88797B..... 155         | 90-4-2349-0-121 ... 405   | 920110..... 507     |
| 8018-02 ..... 222    | 8-2122 ..... 490  | 88881 ..... 186         | 90-4-2352-0-88..... 401   | 920116..... 507     |
| 801855.....40        | 8-2133 ..... 490  | 88884W ..... 183        | 90-4-2352-240 ..... 401   | 920117..... 507     |
| 801872.....40        | 8-2153 ..... 490  | 88-FM-N-1 ..... 237     | 90-4-2352-625 ..... 401   | 920146..... 507     |
| 801991.....40        | 8-2163 ..... 490  | 88-FM-N-M ..... 237     | 90-4-2352-96..... 401     | 920183..... 486     |
| 801993.....40        | 8-2165 ..... 490  | 88-UM-N-1 ..... 237     | 90-4-2353-0-88..... 378   | 920190..... 486     |
| 801998.....40        | 8-2173 ..... 490  | 88-UM-N-M ..... 237     | 90-4-2400P-0-117 .... 392 | 920273..... 507     |
| 802052.....40        | 8-2175 ..... 490  | 89204 ..... 328         | 90-4-2503-625 ..... 395   | 920459..... 507     |
| 802165.....40        | 8-2183 ..... 490  | 89291 SERIES..... 328   | 90-4-996-626..... 370     | 9-212 ..... 490     |
| 802229.....40        | 8-2185 ..... 490  | 89996B..... 155         | 90-4-996-626..... 414     | 9239-10 ..... 227   |
| 802741.....13        | 8300013 ..... 503 | 90005-01 ..... 498      | 90508004..... 203         | 9260-3..... 315     |
| 802743.....13        | 8300019 ..... 503 | 90041878..... 211       | 90541W ..... 183          | 93400502..... 211   |
| 802745.....13        | 8300084 ..... 503 | 90042791 ..... 211      | 90542W ..... 183          | 93900027..... 211   |
| 802902.....40        | 83-2180 ..... 488 | 90042792 ..... 211      | 90554107..... 11          | 9513819 ..... 158   |
| 802997.....40        | 83-2380 ..... 488 | 90044089 ..... 203      | 90554107 ..... 250        | 9514-3-78B..... 408 |
| 8045-1.....486       | 83-2850 ..... 488 | 90044162 ..... 203      | 90554335..... 252         | 9519-1-909..... 388 |
| 80632 ..... 480      | 8-33117 ..... 488 | 90044625 ..... 203      | 90554615..... 250         | 9613819 ..... 158   |
| 8065-1.....486       | 8-43087 ..... 488 | 90044626 ..... 203      | 90554664..... 252         | 9627-00 ..... 222   |
| 80844-1T.....330     | 8-43117 ..... 488 | 90044642 ..... 203      | 90554679..... 12          | 9780000 ..... 532   |
| 8085-1.....486       | 8-43147 ..... 488 | 90044978 ..... 203      | 90554679..... 12          | 9780005 ..... 532   |
| 8098-01 ..... 222    | 8-44147 ..... 488 | 90045040 ..... 203      | 90554945..... 252         | 9780010 ..... 532   |
| 80SM/S97 ..... 605   | 8513812 ..... 158 | 90045298 ..... 203      | 90554994..... 252         | 9780011 ..... 532   |
| 80SM97 ..... 605     | 8513813 ..... 158 | 9005..... 561           | 90555100..... 252         | 9780012 ..... 532   |
| 80SMP97 ..... 605    | 8513827 ..... 158 | 90054007 ..... 251      | 90555105..... 250         | 9780013 ..... 532   |
| 810S-1.....486       | 8513829 ..... 158 | 90054074 ..... 250      | 90555106..... 250         | 9780014 ..... 532   |
| 81158 ..... 480      | 8513842 ..... 158 | 90054075 ..... 250      | 90555353..... 252         | 9780014 ..... 532   |
| 81160 ..... 480      | 8533849 ..... 156 | 90054088 ..... 252      | 90555375..... 252         | 9780016 ..... 532   |
| 8-1160.....490       | 855 ..... 372     | 90054630 ..... 250      | 90555377 ..... 252        | 9780017 ..... 532   |
| 8-1161.....490       | 858 ..... 372     | 90054700 ..... 252      | 90555396..... 11          | 9780019 ..... 532   |
| 81264 ..... 498      | 860-0015..... 613 | 9006..... 561           | 90555398..... 11          | 9780020 ..... 532   |
| 812S-1.....486       | 8600066 ..... 505 | 9007..... 561           | 90557112..... 199         | 9780021 ..... 532   |
| 81464 ..... 480      | 8600127 ..... 505 | 90089BK..... 155        | 90557123..... 199         | 9780025 ..... 464   |
| 81611X90 ..... 345   | 8600201 ..... 505 | 9011-0-553B-16G35.421   | 90557129..... 199         | 9780025 ..... 532   |
| 81611X98 ..... 345   | 8600310 ..... 505 | 9011-0-553B-16G45.421   | 90557156..... 199         | 9780026 ..... 464   |
| 81611X98WH ..... 345 | 8600314 ..... 505 | 9011-0-553B-16H35.421   | 90557157..... 199         | 9780026 ..... 532   |
| 81612X98 ..... 345   | 8600315 ..... 505 | 9011-0-553B-16H45.421   | 90557168..... 199         | 9780027 ..... 532   |
| 81612X98WH ..... 345 | 8600889 ..... 505 | 9011-0-553B-18G45.421   | 90557203..... 199         | 9780028 ..... 532   |
| 81613X98WH ..... 345 | 860-1046..... 613 | 9013819 ..... 158       | 90557213..... 199         | 9780030 ..... 532   |
| 81615X90 ..... 345   | 860-5505..... 613 | 90160 ..... 52          | 90557216..... 199         | 9780031 ..... 532   |
| 81615X98 ..... 345   | 860-5556..... 613 | 9019005P..... 58        | 90557223..... 199         | 9780032 ..... 532   |
| 81615X98WH ..... 345 | 860-5688..... 613 | 9030..... 52            | 90557225..... 199         | 9780035 ..... 464   |
| 816S-1.....486       | 860-6005..... 613 | 90-4-1037-625 ..... 401 | 9081001P..... 58          | 9780035 ..... 532   |
| 8178-02 ..... 221    | 860-8652..... 613 | 90-4-1082-0-115 ... 405 | 90885 ..... 52            | 9780036 ..... 464   |
| 81-8CC ..... 605     | 860-8814..... 613 | 90-4-1399-240 ..... 395 | 9111535100X..... 4        | 9780036 ..... 532   |
| 81-8FO ..... 605     | 8613842 ..... 158 | 90-4-1399-625 ..... 395 | 9111535200X..... 4        | 9780040 ..... 532   |
| 81-8SFO..... 605     | 8-6421 ..... 490  | 90-4-1563-0-126 ... 378 | 9111535400X..... 4        | 9780041 ..... 533   |
| 81-8WFO..... 605     | 8656..... 591     | 90-4-1729-0-120 ... 348 | 91-18..... 628            | 9780042 ..... 533   |
|                      |                   |                         | 91-20..... 628            | 9780043 ..... 464   |



Part Number Index

|                   |                    |                       |                       |                      |
|-------------------|--------------------|-----------------------|-----------------------|----------------------|
| 9780043.....533   | 9890025.....534    | 99837.....322         | AL430614.....38       | ASET594A-92A.....162 |
| 9780044.....533   | 9890026.....465    | 99837KIT.....322      | AL430624.....38       | ASET663-53.....162   |
| 9780045.....464   | 9890026.....534    | 99837WH.....322       | AL430668.....38       | ATLAS 55.....297-299 |
| 9780045.....533   | 9890027.....465    | 99837WHKIT.....322    | AL918602.....39       | ATLAS 65.....294-296 |
| 9780048.....533   | 9890027.....534    | 99900T.....322        | AL918604.....39       | AV102.....602        |
| 9780053.....464   | 9890028.....465    | A1000S.....21         | AL918606.....39       | AVM104.....602       |
| 9780053.....533   | 9890028.....534    | A103600.....22        | AL919338.....38       | A-XA0495-1.....242   |
| 9780054.....464   | 9890031.....534    | A13133Y8345.....277   | AL919342.....38       | A-XA0512-1.....242   |
| 9780054.....533   | 9890032.....534    | A13236Q2123.....126   | AL919802.....39       | B038355C.....51      |
| 9780055.....464   | 9890040.....534    | A14467.....273        | AL919803.....39       | B10229S.....304      |
| 9780055.....533   | 9890041.....534    | A212011.....162       | AL919804.....39       | B10261.....315       |
| 9780063.....464   | 9890042.....465    | A212049.....162       | AL919805.....39       | B10285.....304       |
| 9780063.....533   | 9890042.....534    | A218210.....162       | AL919901.....39       | B16137.....51        |
| 9780070.....532   | 9890043.....465    | A218248.....162       | AL919902.....39       | B162-093.....466     |
| 9780071.....533   | 9890043.....534    | A2258F1410.....199    | AL919903.....39       | B18135.....51        |
| 9780074.....533   | 9890045.....534    | A2258F1410.....277    | AL920809.....39       | B20306.....502       |
| 9780075.....533   | 9890047.....465    | A3133G8249.....277    | AMBOX.127.....276     | B20309.....502       |
| 9790043.....464   | 9890047.....534    | A400.....303-304      | AMBOX.22.....276      | B205010.....495      |
| 9790043.....533   | 9890048.....465    | A400-G-17.....302     | AMBOX.36.....276      | B21505.....275       |
| 9790076.....534   | 9890048.....534    | A400-G-19.....302     | AMBOX.93.....276      | B22510-1.....199     |
| 9790301.....532   | 9890055.....534    | A400-G3-17.....302    | AMBOX.98.....276      | B2373C.....51        |
| 9790401.....532   | 9890056.....534    | A400G3-19.....302     | AP1-1/8X5X16.....371  | B2373C.....592       |
| 9790401.....533   | 9890057.....534    | A400-T-17.....302     | AP1-1/8X7X16.....371  | B23-B.....594        |
| 9790402.....464   | 9890058.....534    | A400-T18-17LH.....463 | AP1-5/16X5X16.....371 | B23-DRING.....51     |
| 9790402.....465   | 9890065.....534    | A400-T18-17RH.....463 | AP1-5/16X7X16.....371 | B23-DRING.....592    |
| 9790402.....532   | 9890066.....534    | A400-T-19.....302     | AP3/4X2-5/8X16...371  | B25-B.....594        |
| 9790402.....533   | 9890068.....534    | A401-G-17.....302     | AQ15473.....39        | B26003.....502       |
| 9790403.....464   | 9890069.....534    | A401-G3-17.....302    | AQ15474.....39        | B26004.....502       |
| 9790403.....532   | 9890072.....534    | A401-T1-17.....302    | AQ40525.....38        | B300.....174         |
| 9790403.....533   | 9890073.....534    | A401-T-14.....302     | AQ960510.....37       | B33-B.....594        |
| 9790404.....465   | 9890080.....535    | A401-T-17.....302     | AQ960802.....37       | B35-B.....594        |
| 9790404.....534   | 9890081.....535    | A401-T-19.....302     | AQ961404.....37       | B38W.....51          |
| 9790569.....466   | 9890083.....535    | A441-G3-17.....302    | AQ963011.....37       | B38W.....592         |
| 9790960.....466   | 9890085.....535    | A518445.....162       | AQ964110.....37       | B40.....51           |
| 9790960.....364   | 9890086.....535    | A572.....162          | AQ964111.....37       | B40.....592          |
| 9790980.....364   | 9890087.....535    | A580.....162          | AS1040.....63         | B46.....51           |
| 9790980.....466   | 9890089.....535    | A594A.....162         | AS1041.....63         | B46.....592          |
| 9791001.....554   | 9890110.....465    | A663.....162          | AS1132.....63         | B48.....51           |
| 9791002.....554   | 9890110.....535    | A72420.....10         | AS1133.....63         | B495.....625         |
| 9791006.....554   | 9890111.....465    | A7420E1045.....277    | AS1136.....63         | B50.....592          |
| 9791007.....554   | 9890112.....465    | A83034.....15         | AS1138.....63         | B50-DRING.....51     |
| 9791010.....554   | 9890113.....465    | AC-6100.....265       | AS1140.....63         | B57.....594          |
| 9791011.....554   | 9890114.....465    | A-CF8391-1.....242    | AS1141.....63         | B57NT.....594        |
| 9792001.....466   | 9892001.....466    | ADB225.....111,112    | AS1143.....63         | B67.....594          |
| 9792001.....533   | 9892001.....535    | ADB22X.....111,112    | AS1144.....63         | B67NT.....594        |
| 981-00166.....365 | 9910129.....371    | AK53.....274          | AS1149.....63         | B700.....594         |
| 98131.....414     | 99600B.....15      | AKEM0005-1.....273    | AS1172.....63         | B711.....594         |
| 982-00046.....592 | 99610.....322      | AKH134-3.....273      | AS1173.....63         | B7600B95.....625     |
| 982-00302.....591 | 99610KIT.....322   | AKH-238-3.....273     | AS3000.....63         | B81.....594          |
| 982-00317.....591 | 99611.....322      | AKH-244-B.....273     | AS3001.....63         | B82.....594          |
| 982-00318.....591 | 99611KIT.....322   | AL10271914.....39     | ASET049-011.....162   | B84.....594          |
| 982-00319.....591 | 99836.....322      | AL10271915.....39     | ASET248-210.....162   | B87.....594          |
| 982-00320.....591 | 99836KIT.....322   | AL364040.....39       | ASET3782-20.....162   | BALDWIN.....625-626  |
| 984-00074.....365 | 99836WH.....322    | AL364041.....39       | ASET445-410.....162   | BB7820-108.....133   |
| 9890025.....465   | 99836WHKIT.....322 | AL364053.....39       | ASET580-572.....162   | BB8820-72.....133    |





## Part Number Index

|                |     |                     |         |               |     |               |     |              |     |
|----------------|-----|---------------------|---------|---------------|-----|---------------|-----|--------------|-----|
| BBML74290..... | 630 | C22UB.....          | 628     | CP25T17.....  | 289 | CR619110..... | 9   | CT64405..... | 195 |
| BBML74293..... | 630 | C23086-1.....       | 203     | CP25U07.....  | 290 | CR620502..... | 9   | CT64412..... | 195 |
| BC-1.....      | 480 | C-2325.....         | 365     | CP25U09.....  | 290 | CRT224.....   | 9   | CT64417..... | 195 |
| BC50.....      | 488 | C24UB.....          | 628     | CR1343.....   | 173 | CT45175.....  | 149 | CT64419..... | 195 |
| BD103.....     | 625 | C-30.....           | 472     | CR1399.....   | 173 | CT45200.....  | 149 | CT64420..... | 195 |
| BE13240.....   | 493 | C-331.....          | 472     | CR1612.....   | 173 | CT45250.....  | 149 | CT64421..... | 195 |
| BE13241.....   | 493 | C-392.....          | 472     | CR1613.....   | 173 | CT45300.....  | 149 | CT64439..... | 195 |
| BE13250.....   | 493 | CART224.....        | 9       | CR1643.....   | 173 | CT45350.....  | 149 | CT64445..... | 195 |
| BE13255.....   | 493 | CB09.....           | 60      | CR1644.....   | 173 | CT45400.....  | 149 | CT64456..... | 195 |
| BE22040.....   | 502 | CB12.....           | 60      | CR1696.....   | 173 | CT45450.....  | 149 | CT64459..... | 195 |
| BE22070.....   | 502 | CB16.....           | 60      | CR1703.....   | 173 | CT45500.....  | 149 | CT64460..... | 195 |
| BE22080.....   | 502 | CB185-150.....      | 490     | CR1743.....   | 173 | CT45550.....  | 149 | CT64460..... | 195 |
| BE22090.....   | 502 | CB20.....           | 60      | CR1788.....   | 173 | CT64252.....  | 195 | CT64503..... | 195 |
| BE23101.....   | 495 | CB2300.....         | 260-263 | CR1796.....   | 173 | CT64254.....  | 195 | CT64505..... | 195 |
| BE23402.....   | 495 | CB30S1.....         | 60      | CR1996.....   | 173 | CT64255.....  | 195 | CT64509..... | 195 |
| BE23403.....   | 495 | CBL14/15.....       | 264     | CR223.....    | 9   | CT64256.....  | 195 | CT64510..... | 195 |
| BE23603.....   | 495 | CBL16/17.....       | 264     | CR228.....    | 9   | CT64256.....  | 195 | CT64515..... | 195 |
| BE23703.....   | 495 | CBX23 CBX25 258-263 |         | CR235.....    | 9   | CT64258.....  | 195 | CT64517..... | 195 |
| BE23705.....   | 495 | CD-SPR-236.....     | 568     | CR238.....    | 9   | CT64260.....  | 195 | CT64531..... | 195 |
| BE23707.....   | 495 | CE BELTS.....       | 610     | CR248.....    | 9   | CT64264.....  | 195 | CT64543..... | 195 |
| BE24000.....   | 495 | CE56016.....        | 147     | CR28759.....  | 168 | CT64266.....  | 195 | CT64545..... | 195 |
| BE24001.....   | 495 | CE56020.....        | 147     | CR29480.....  | 168 | CT64267.....  | 195 | CT64553..... | 195 |
| BE24020.....   | 495 | CE56024.....        | 147     | CR34994.....  | 168 | CT64268.....  | 195 | CT64554..... | 195 |
| BE24030.....   | 495 | CE56026.....        | 147     | CR35000.....  | 168 | CT64269.....  | 195 | CT64560..... | 195 |
| BE24120.....   | 495 | CE56028.....        | 147     | CR35058.....  | 168 | CT64272.....  | 195 | CT64562..... | 195 |
| BE24220.....   | 495 | CE56032.....        | 147     | CR35066.....  | 168 | CT64273.....  | 195 | CT64571..... | 195 |
| BE26100.....   | 502 | CE56036.....        | 147     | CR35066.....  | 168 | CT64274.....  | 195 | CT64581..... | 195 |
| BE26103.....   | 502 | CE56040.....        | 147     | CR38750.....  | 168 | CT64276.....  | 195 | CT64590..... | 195 |
| BH82000.....   | 51  | CE56044.....        | 147     | CR38776.....  | 168 | CT64276.....  | 195 | CT64590..... | 195 |
| BH82516.....   | 51  | CE56048.....        | 147     | CR38780.....  | 168 | CT64277.....  | 195 | CT64605..... | 195 |
| BK312.....     | 612 | CE56056.....        | 147     | CR39979.....  | 168 | CT64278.....  | 195 | CT64636..... | 195 |
| BK313.....     | 612 | CE57216.....        | 147     | CR39988.....  | 168 | CT64279.....  | 195 | CT64637..... | 195 |
| BP886.....     | 561 | CE57220.....        | 147     | CR40086.....  | 168 | CT64281.....  | 195 | CT64638..... | 195 |
| BQ24002.....   | 495 | CE57224.....        | 147     | CR40091.....  | 168 | CT64284.....  | 195 | CT64645..... | 195 |
| BSC3835.....   | 51  | CE57228.....        | 147     | CR40129.....  | 168 | CT64285.....  | 195 | CT64648..... | 195 |
| BSH-150.....   | 568 | CE57232.....        | 147     | CR40136.....  | 168 | CT64287.....  | 195 | CT64649..... | 195 |
| C-1.....       | 472 | CE57236.....        | 147     | CR40136.....  | 168 | CT64288.....  | 195 | CT64715..... | 195 |
| C10108.....    | 315 | CE57238.....        | 147     | CR42623.....  | 168 | CT64288.....  | 195 | CT64716..... | 195 |
| C10108.....    | 463 | CE57240.....        | 147     | CR42627.....  | 168 | CT64294.....  | 195 | CT64762..... | 195 |
| C10591.2.....  | 315 | CE57244.....        | 147     | CR42673.....  | 168 | CT64304.....  | 195 | CT64762..... | 195 |
| C10591.3.....  | 315 | CE57248.....        | 147     | CR43752.....  | 168 | CT64306.....  | 195 | CT65593..... | 195 |
| C10592.2.....  | 315 | CE57248.....        | 147     | CR43754.....  | 168 | CT64308.....  | 195 | CT65807..... | 195 |
| C10592.4.....  | 315 | CE65028.....        | 147     | CR43761.....  | 168 | CT64310.....  | 195 | CT65831..... | 195 |
| C10592.5.....  | 315 | CE65029.....        | 147     | CR43764.....  | 168 | CT64312.....  | 195 | CT66340..... | 195 |
| C10717K.....   | 304 | CE65031.....        | 147     | CR45093.....  | 168 | CT64323.....  | 195 | CT67473..... | 195 |
| C10717K.....   | 314 | CE65033.....        | 147     | CR45095.....  | 168 | CT64329.....  | 195 | CT67586..... | 195 |
| C-108C.....    | 472 | CE65035.....        | 147     | CR45095.....  | 168 | CT64336.....  | 195 | CT67588..... | 195 |
| C-111C.....    | 472 | CE65125.....        | 150     | CR45099.....  | 168 | CT64339.....  | 195 | CT67600..... | 195 |
| C11750.....    | 498 | CE65126.....        | 150     | CR45103.....  | 168 | CT64339.....  | 195 | CT67705..... | 195 |
| C-120.....     | 472 | CE65137.....        | 150     | CR45157.....  | 168 | CT64382.....  | 195 | CT67705..... | 195 |
| C16424A.....   | 321 | CE65138.....        | 150     | CR45160.....  | 168 | CT64383.....  | 195 | CT68151..... | 195 |
| C18UB.....     | 628 | CF1.....            | 60      | CR46300.....  | 168 | CT64386.....  | 195 | CT68359..... | 195 |
| C20036-1.....  | 199 | CF-100-ST.....      | 188     | CR46300.....  | 168 | CT64386.....  | 195 | CT69646..... | 195 |
| C20036-3.....  | 199 | CF3.....            | 60      | CR46305.....  | 168 | CT64388.....  | 195 | CT69648..... | 195 |
| C20UB.....     | 628 | CP2.....            | 60      | CR47692.....  | 168 | CT64391.....  | 195 | CT69648..... | 195 |
|                |     | CP25T15.....        | 289     | CR47697.....  | 168 | CT64394.....  | 195 | CT69662..... | 195 |
|                |     |                     |         | CR47699.....  | 168 | CT64395.....  | 195 | CT70659..... | 195 |
|                |     |                     |         | CR48690.....  | 168 | CT64397.....  | 195 | CT73745..... | 195 |
|                |     |                     |         | CR610024..... | 9   | CT64401.....  | 195 | CT73746..... | 195 |
|                |     |                     |         |               |     | CT64402.....  | 195 | CT73770..... | 195 |



### Part Number Index

|                        |                    |                   |                       |                     |
|------------------------|--------------------|-------------------|-----------------------|---------------------|
| CUSH SUSP..... 289-290 | E-1020..... 243    | E-4968..... 184   | EQCS40ED..... 190     | FC12105.....28      |
| CVM104CO.....602       | E-10221..... 185   | E-4969..... 184   | EQCS40FS..... 190     | FC12105..... 129    |
| CXL-4515TQ.....76      | E-10244.....84     | E-4977..... 184   | EX225..... 113        | FC18530.....10      |
| CXL-4707TQ.....76      | E-10256..... 185   | E-5093..... 107   | EX225 SERIES..... 115 | FC1889..... 561     |
| CYL-COMP..... 567      | E-10257..... 185   | E-5095..... 107   | FC01073.....66        | FC1893..... 561     |
| DA33100X..... 9        | E10602240.....54   | E-5206..... 186   | FC01074.....66        | FC1895..... 561     |
| DA34100..... 9         | E-10756.....89     | E-5307..... 100   | FC065104.....25       | FC194..... 561      |
| DB-040DQ1..... 586     | E-10875.....89     | E-539..... 90     | FC065437.....25       | FC194A..... 561     |
| DB-060FQ1..... 586     | E-10897.....97     | E-5492.....91     | FC-1..... 364         | FC198..... 561      |
| DB-1238..... 585       | E10901840.....54   | E-5493.....91     | FC1003..... 561       | FC-1-LID..... 364   |
| DB-1249-49..... 585    | E10902240.....54   | E-5501.....97     | FC10211.....66        | FC22010/40..... 502 |
| DB-1250-3..... 585     | E10902250.....54   | E-5559R..... 184  | FC10212.....66        | FC229635.....26     |
| DB-1400..... 585       | E10902360.....54   | E-5560..... 184   | FC102626.....25       | FC229859.....26     |
| DB-610-30..... 585     | E10907860.....54   | E-5561L..... 184  | FC103009.....25       | FC229860.....26     |
| DC601..... 129         | E10907861.....54   | E-5652..... 186   | FC103010.....25       | FC26020.....25      |
| DC601-4.....28         | E1092250.....54    | E-5766..... 184   | FC103028.....25       | FC276566.....26     |
| DC601-6.....28         | E-11445..... 105   | E-5977..... 186   | FC103081.....25       | FC276567.....26     |
| DC601-8.....28         | E-11446..... 105   | E-5988..... 184   | FC106897..... 192     | FC279000.....26     |
| DC603..... 129         | E-11715..... 185   | E-5997..... 185   | FC107555..... 192     | FC281865.....26     |
| DC603-2.....28         | E-1559..... 108    | E-5999..... 185   | FC108050..... 192     | FC28500.....25      |
| DC603-2.....28         | E-1561..... 108    | E-603..... 105    | FC108091..... 192     | FC28510.....25      |
| DC603-4.....28         | E-1893..... 90     | E-6036..... 185   | FC108204..... 192     | FC28520.....25      |
| DC603-4.....28         | E-2088AHD..... 102 | E-631..... 60     | FC108708..... 192     | FC28600.....26      |
| DC603-6.....28         | E-2123.....97      | E-747..... 90     | FC108709..... 192     | FC28601.....26      |
| DC603-6.....28         | E-2177.....90      | E-7664..... 108   | FC108713..... 192     | FC286171.....26     |
| DC604..... 129         | E-2291..... 106    | E-7665..... 108   | FC108729..... 192     | FC288239.....26     |
| DC604-2.....28         | E-2303..... 108    | E-7666..... 108   | FC108755..... 192     | FC289714.....26     |
| DC604-4.....28         | E-2304..... 108    | E-781..... 90     | FC108829..... 192     | FC3157..... 561     |
| DC604-6.....28         | E-2305..... 108    | E-7895..... 184   | FC109069..... 192     | FC3157NA..... 561   |
| DC604-8.....28         | E-2402HD.....89    | E-7896..... 184   | FC109082..... 192     | FC32033..... 135    |
| DCF003980-001 .... 353 | E-2405..... 106    | E-7897..... 184   | FC109101..... 192     | FC35031..... 135    |
| DCR601..... 129        | E-2477B..... 105   | E-886..... 126    | FC109122..... 192     | FC35032..... 135    |
| DCR601-4.....28        | E-2550..... 108    | E-8949..... 184   | FC109265..... 192     | FC37..... 561       |
| DEC008681-001 .... 353 | E2681A.....60      | E-8979..... 184   | FC109270..... 192     | FC53..... 561       |
| DEF25..... 481         | E-2766S.....90     | E-8980..... 185   | FC109293..... 192     | FC54007..... 251    |
| DEF330..... 481        | E-2767.....90      | E-8981..... 185   | FC109366..... 192     | FC54079.....26      |
| DEFD..... 481          | E-2768.....90      | E-8988..... 185   | FC109375..... 192     | FC54088.....26      |
| DL-BU-1..... 351       | E-2769SHD.....86   | E-9039.....84     | FC109394..... 192     | FC561..... 561      |
| DL-BU-1..... 458       | E-2983..... 235    | E-9079HD.....99   | FC109422..... 192     | FC57..... 561       |
| DLX3-A..... 557        | E-3234..... 107    | E92004..... 551   | FC109580..... 192     | FC572..... 162      |
| DLXTHU-4-A..... 557    | E-3490B.....90     | E92007..... 551   | FC109648..... 192     | FC580..... 162      |
| DO-NR01..... 379       | E-3520AHD.....98   | E92013..... 551   | FC109780..... 192     | FC592A..... 162     |
| DO-NR02..... 379       | E-3710SHD.....88   | E-9320.....64     | FC109781..... 192     | FC594A..... 162     |
| DO-RP07..... 390       | E-3781.....60      | E950127ST.....34  | FC109807..... 192     | FC653..... 162      |
| DO-TR01-619..... 396   | E-3782.....89      | E-957..... 126    | FC109875..... 192     | FC663..... 162      |
| DP21L.....60           | E-3993B.....99     | E-9787A..... 105  | FC109921..... 192     | FC67..... 561       |
| DP30.....60            | E-4329..... 250    | E-9788A..... 105  | FC109935..... 192     | FC73..... 561       |
| DP30L.....60           | E-4586..... 105    | E-9790A..... 101  | FC1141..... 561       | FC810019.....66     |
| DQ6026..... 9          | E-4594..... 105    | E-9837..... 185   | FC1142..... 561       | FC89..... 561       |
| DQ6050..... 9          | E-4738A..... 105   | EC1055AB.....470  | FC1156..... 561       | FC896..... 561      |
| DR-1-PLUS..... 592     | E-4739..... 105    | EC53AB.....470    | FC1157..... 561       | FC9004..... 561     |
| DR-2..... 592          | E-4958..... 184    | EQCS40AD..... 190 | FC1157NA..... 561     | FC9005XS..... 561   |
| DRIF-97..... 605       | E-4962..... 186    | EQCS40BD..... 190 | FC-120-ST..... 188    | FC9005XSLL..... 561 |
| DS232..... 560         | E-4963..... 186    | EQCS40CD..... 190 | FC12104.....28        | FC9006XS..... 561   |
| E009095..... 126       | E-4966..... 184    | EQCS40DD..... 190 | FC12104..... 129      | FC9006XSLL..... 561 |



## Part Number Index

|                 |     |             |     |                    |     |                   |         |              |     |
|-----------------|-----|-------------|-----|--------------------|-----|-------------------|---------|--------------|-----|
| FC9007.....     | 561 | FS7818..... | 195 | FS9375.....        | 195 | GL-01.....        | 633     | GR46282..... | 509 |
| FC904.....      | 561 | FS7843..... | 195 | FS9394.....        | 195 | GL-05.....        | 633     | GR46283..... | 509 |
| FC906.....      | 561 | FS7990..... | 195 | FS9422.....        | 195 | GL-06.....        | 633     | GR46302..... | 508 |
| FC912.....      | 561 | FS8008..... | 195 | FS9466.....        | 195 | GL-15L.....       | 633     | GR46303..... | 508 |
| FC950011.....   | 10  | FS8018..... | 195 | FS9471.....        | 195 | GL-15XL.....      | 633     | GR46782..... | 508 |
| FC955205.....   | 10  | FS8032..... | 195 | FS9472.....        | 195 | GL-16L.....       | 633     | GR46782..... | 509 |
| FC97.....       | 561 | FS8033..... | 195 | FS9580.....        | 195 | GL-16L-PF.....    | 633     | GR46783..... | 508 |
| FCHM212011..... | 162 | FS8050..... | 195 | FS9616.....        | 195 | GL-16XL.....      | 633     | GR46783..... | 509 |
| FCHM212049..... | 162 | FS8091..... | 195 | FS9622.....        | 195 | GL-16XL-PF.....   | 633     | GR46792..... | 508 |
| FCHM218210..... | 162 | FS8204..... | 195 | FS9640.....        | 195 | GP DOOR.....      | 339     | GR46793..... | 508 |
| FCHM218248..... | 162 | FS8637..... | 195 | FS9648.....        | 195 | GP2424.....       | 57      | GR46802..... | 508 |
| FCHM518410..... | 162 | FS8708..... | 195 | FS9780.....        | 195 | GP2430.....       | 57      | GR46803..... | 508 |
| FCHM518445..... | 162 | FS8709..... | 195 | FS9781.....        | 195 | GP3030.....       | 57      | GR46832..... | 508 |
| FCSET413.....   | 162 | FS8713..... | 195 | FS9807.....        | 195 | GP3030K.....      | 57      | GR46833..... | 508 |
| FCSET414.....   | 162 | FS8723..... | 195 | FS9921.....        | 195 | GP3030LK.....     | 57      | GR46862..... | 508 |
| FCSET415.....   | 162 | FS8729..... | 195 | FS9923.....        | 195 | GP3036.....       | 57      | GR46863..... | 508 |
| FE7053-1.....   | 590 | FS8748..... | 195 | FS9935.....        | 195 | GP90X100.....     | 338     | GR46872..... | 508 |
| FE8000-1.....   | 590 | FS8749..... | 195 | FS9936.....        | 195 | GP90X100KIT.....  | 338     | GR46873..... | 508 |
| FE8000-12.....  | 590 | FS8755..... | 195 | FS9974.....        | 195 | GP90X90WH.....    | 338     | GR46902..... | 537 |
| FE8066-1.....   | 590 | FS8774..... | 195 | FS9978.....        | 195 | GP90X90WHKIT..... | 338     | GR46903..... | 537 |
| FE8066-3.....   | 590 | FS8782..... | 195 | FW QUICK LIST..... | 576 | GP96X112WH.....   | 338     | GR46922..... | 537 |
| FL25-1.....     | 478 | FS8829..... | 195 | FWS1 FWS2.....     | 574 | GP96X112WHKIT..   | 338     | GR46933..... | 537 |
| FL4-1.....      | 478 | FS8852..... | 195 | G5-170X.....       | 608 | GP98X105.....     | 338     | GR47072..... | 537 |
| FLAG.....       | 602 | FS8944..... | 195 | G5-279X.....       | 608 | GP98X105KIT.....  | 338     | GR47073..... | 537 |
| FP100-BULK..... | 470 | FS9010..... | 195 | G5-280X.....       | 608 | GP98X105WH.....   | 338     | GR47112..... | 539 |
| FP100-QT.....   | 470 | FS9026..... | 195 | G5-281X.....       | 608 | GP98X105WHKIT..   | 338     | GR47113..... | 539 |
| FP12KIT.....    | 471 | FS9039..... | 195 | G5-407X.....       | 608 | GP98X107.....     | 338     | GR47122..... | 539 |
| FP200.....      | 471 | FS9069..... | 195 | G5-674X.....       | 608 | GP98X107KIT.....  | 338     | GR47123..... | 539 |
| FP620.....      | 471 | FS9082..... | 195 | G5-675X.....       | 608 | GP98X107WH.....   | 338     | GR47162..... | 539 |
| FP-SP03.....    | 407 | FS9083..... | 195 | G5-676X.....       | 608 | GP98X107WHKIT..   | 338     | GR47163..... | 539 |
| FR-RB01.....    | 409 | FS9101..... | 195 | G5-677X.....       | 608 | GPC DOOR.....     | 341-342 | GR47242..... | 537 |
| FR-RB02.....    | 409 | FS9105..... | 195 | GC0336.....        | 57  | GPC98S107WHKIT..  | 338     | GR47243..... | 537 |
| FR-RB03.....    | 409 | FS9121..... | 195 | GC2424.....        | 57  | GPC98X105WH.....  | 338     | GR47962..... | 537 |
| FR-RB04.....    | 409 | FS9122..... | 195 | GC2430.....        | 57  | GPC98X105WHKIT..  | 338     | GR47963..... | 537 |
| FS0783.....     | 195 | FS9134..... | 195 | GC2430L.....       | 57  | GPC98X107WH.....  | 338     | GR48282..... | 493 |
| FS1190.....     | 195 | FS9192..... | 195 | GC3030.....        | 57  | GR16053.....      | 601     | GR50232..... | 520 |
| FS1191.....     | 195 | FS9213..... | 195 | GC3030L.....       | 57  | GR40052.....      | 554     | GR50630..... | 522 |
| FS300C.....     | 602 | FS9243..... | 195 | GC3030S4.....      | 57  | GR40053.....      | 554     | GR50972..... | 521 |
| FS6262.....     | 195 | FS9264..... | 195 | GC3636.....        | 57  | GR43050.....      | 511     | GR51533..... | 522 |
| FS6799.....     | 195 | FS9265..... | 195 | GD-BR-03-626.....  | 402 | GR43411.....      | 364     | GR52513..... | 522 |
| FS6801.....     | 195 | FS9270..... | 195 | GD-CM01.....       | 374 | GR43690.....      | 511     | GR52562..... | 520 |
| FS6897.....     | 195 | FS9287..... | 195 | GD-DS01.....       | 348 | GR44530.....      | 506     | GR52563..... | 520 |
| FS6902.....     | 195 | FS9293..... | 195 | GD-NR03.....       | 379 | GR44540.....      | 506     | GR52772..... | 520 |
| FS6905.....     | 195 | FS9295..... | 195 | GD-NR05.....       | 379 | GR44690.....      | 506     | GR52902..... | 521 |
| FS6910.....     | 195 | FS9296..... | 195 | GD-RB01.....       | 409 | GR44710.....      | 506     | GR52912..... | 521 |
| FS6927.....     | 195 | FS9307..... | 195 | GD-RB02.....       | 409 | GR45262.....      | 509     | GR52922..... | 520 |
| FS6935.....     | 195 | FS9320..... | 195 | GD-RB03.....       | 409 | GR45263.....      | 509     | GR53000..... | 522 |
| FS6944.....     | 195 | FS9321..... | 195 | GD-RP01.....       | 391 | GR45442.....      | 508     | GR53062..... | 509 |
| FS7135.....     | 195 | FS9362..... | 195 | GD-RP02.....       | 391 | GR45443.....      | 508     | GR53063..... | 509 |
| FS7136.....     | 195 | FS9365..... | 195 | GD-RP03.....       | 391 | GR45662.....      | 508     | GR53102..... | 520 |
| FS7410.....     | 195 | FS9366..... | 195 | GD-SS02.....       | 411 | GR45663.....      | 508     | GR53103..... | 520 |
| FS7443.....     | 195 | FS9367..... | 195 | GE060702.....      | 468 | GR45822.....      | 508     | GR53252..... | 539 |
| FS7555.....     | 195 | FS9370..... | 195 | GE070200.....      | 468 | GR45823.....      | 508     | GR53253..... | 539 |
| FS7795.....     | 195 | FS9371..... | 195 | GE070202.....      | 468 | GR45932.....      | 508     | GR53292..... | 540 |
| FS7800.....     | 195 | FS9373..... | 195 | GHA-15.....        | 471 | GR45933.....      | 508     | GR53302..... | 540 |



## Part Number Index

|                   |                      |                          |                         |                         |
|-------------------|----------------------|--------------------------|-------------------------|-------------------------|
| GR53312 ..... 540 | GR91043 ..... 553    | H4651 ..... 563          | HDS11/32 ..... 630      | HT451-G3-17-157 ... 319 |
| GR53702 ..... 521 | GR91302 ..... 553    | H4656 ..... 563          | HDS11/64 ..... 630      | HU009A ..... 174        |
| GR53712 ..... 521 | GR91950 ..... 511    | H4656HO ..... 563        | HDS13/32 ..... 630      | HW5 ..... 60            |
| GR53782 ..... 521 | GR91962 ..... 509    | H5006 ..... 563          | HDS13/64 ..... 630      | HY10002725 ..... 408    |
| GR53792 ..... 521 | GR91963 ..... 509    | H5054 ..... 563          | HDS15/32 ..... 630      | HY10002740 ..... 403    |
| GR53962 ..... 540 | GR93610 ..... 528    | H5062 ..... 563          | HDS15/64 ..... 630      | HY10002975 ..... 408    |
| GR53963 ..... 540 | GR99170 ..... 553    | H5664 ..... 160          | HDS17/64 ..... 630      | HY10003146 ..... 376    |
| GR55220 ..... 522 | GR99680 ..... 498    | H6024 ..... 563          | HDS19/64 ..... 630      | HY10005195 ..... 376    |
| GR55340 ..... 522 | GRG1032 ..... 538    | H6054 ..... 563          | HDS21/64 ..... 630      | HY10005241 ..... 349    |
| GR55410 ..... 522 | GRG1033 ..... 538    | H6054HO ..... 563        | HDS23/64 ..... 630      | HY10005242 ..... 349    |
| GR55420 ..... 522 | GRG2102 ..... 538    | H7-55W ..... 563         | HDS25/64 ..... 630      | HY10005258 ..... 349    |
| GR60001 ..... 528 | GRG2103 ..... 538    | H8203 ..... 160          | HDS27/64 ..... 630      | HY10005259 ..... 349    |
| GR60101 ..... 528 | GRG3002 ..... 538    | H900-50-OS ..... 223     | HDS29/64 ..... 630      | HY10005263 ..... 349    |
| GR60151 ..... 528 | GRG3003 ..... 538    | H9406 ..... 563          | HDS3/16 ..... 630       | HY10005264 ..... 349    |
| GR60261 ..... 528 | GRG4002 ..... 538    | H9420 ..... 563          | HDS3/32 ..... 630       | HY10005893 ..... 362    |
| GR60280 ..... 528 | GRG4602 ..... 538    | H9421 ..... 563          | HDS3/8 ..... 630        | HY10007412 ..... 376    |
| GR60331 ..... 528 | GRG4603 ..... 538    | H9700S-FL/B ..... 212    | HDS31/64 ..... 630      | HY10008943 ..... 376    |
| GR61161 ..... 530 | GRG5530 ..... 538    | H9700S-ST/B ..... 212    | HDS5/16 ..... 630       | HY10009128 ..... 403    |
| GR64931 ..... 531 | GRG5540 ..... 538    | H9700S-U/B ..... 212     | HDS5/32 ..... 630       | HY10009246 ..... 403    |
| GR64G11 ..... 551 | GW DOOR ..... 340    | H9700T-FL/B ..... 212    | HDS5/64 ..... 630       | HY10009386 ..... 376    |
| GR64H01 ..... 551 | GW90X90WH ..... 338  | H9700TRI-ST/B ..... 212  | HDS7/16 ..... 630       | HY10009551 ..... 414    |
| GR66160 ..... 510 | GW90X90WHKIT ... 338 | H9700TRI-U/B ..... 212   | HDS7/32 ..... 630       | HY10009668 ..... 355    |
| GR66170 ..... 510 | GW98X107WH ..... 338 | H9700TRI-US/UM/B.. 212   | HDS7/64 ..... 630       | HY10009669 ..... 355    |
| GR66800 ..... 510 | GW98X107WHKIT. 338   | H9700T-ST/B ..... 212    | HDS9/32 ..... 630       | HY10009669 ..... 361    |
| GR66815 ..... 510 | H00450CE ..... 252   | H9700T-UM/B ..... 212    | HDS9/64 ..... 630       | HY10010554 ..... 403    |
| GR66830 ..... 511 | H00500C ..... 252    | H9700T-US/IB/B ..... 212 | HGR-104-10 ..... 45     | HY10011202 ..... 403    |
| GR66831 ..... 511 | H00500CA ..... 252   | H9700T-US/UM/B.. 212     | HGR-202-10 ..... 45     | HY10011746 ..... 355    |
| GR66850 ..... 510 | H00550A ..... 565    | H9801 ..... 220          | HGR-248-10 ..... 45     | HY10012220 ..... 380    |
| GR66900 ..... 510 | H00550B ..... 565    | H9801-42 ..... 219       | HH506310T ..... 162     | HY10013257 ..... 380    |
| GR66905 ..... 510 | H00626 ..... 565     | H9801-48 ..... 219       | HH506348T ..... 162     | HY10013258 ..... 380    |
| GR66910 ..... 510 | H00640R ..... 564    | H9811 ..... 220          | HK49-150 ..... 89       | HY10014203 ..... 349    |
| GR66911 ..... 510 | H00755NS ..... 565   | H9811-42 ..... 219       | HK61 ..... 84           | HY10014205 ..... 349    |
| GR66930 ..... 540 | H00755VE ..... 565   | H9811-42-192 ..... 219   | HK62 ..... 84           | HY10014546 ..... 374    |
| GR66931 ..... 540 | H00850EC ..... 565   | H9811-42-9700WR ... 219  | HK95XLS ..... 88        | HY10015353 ..... 414    |
| GR67000 ..... 511 | H00900CA ..... 564   | H9811-48 ..... 219       | HK97XLS ..... 88        | HY10015378 ..... 380    |
| GR67002 ..... 510 | H00910CA ..... 564   | H9811-48-9700WR ... 219  | HM212011T ..... 162     | HY10015416 ..... 380    |
| GR67050 ..... 510 | H00926 ..... 565     | HB-1156-6 ..... 359      | HM212047T ..... 162     | HY10015710 ..... 387    |
| GR67070 ..... 510 | H00977 ..... 564     | HB-1156-6 ..... 457      | HM212049T ..... 162     | HY10015891 ..... 362    |
| GR68680 ..... 511 | H00978 ..... 564     | HB-1156-6-P ..... 359    | HM212049XT ..... 162    | HY10015892 ..... 362    |
| GR73762 ..... 521 | H00981 ..... 564     | HB-1156-6-P ..... 457    | HM218210T ..... 162     | HY10015893 ..... 362    |
| GR76223 ..... 559 | H-1060-3 ..... 355   | HDJ1/2 ..... 630         | HM218248T ..... 162     | HY10015894 ..... 362    |
| GR77353 ..... 559 | H-1060-4 ..... 355   | HDJ1/4 ..... 630         | HM516410T ..... 162     | HY10015895 ..... 362    |
| GR77363 ..... 559 | H-1060-5-5 ..... 355 | HDJ13/64 ..... 630       | HM516449CT ..... 162    | HY10015896 ..... 362    |
| GR78303 ..... 522 | H-1060-5-5 ..... 456 | HDJ17/64 ..... 630       | HM518410T ..... 162     | HY10015897 ..... 362    |
| GR78453 ..... 540 | H-1088 ..... 355     | HDJ25/64 ..... 630       | HM518448T ..... 162     | HY10015898 ..... 362    |
| GR87220 ..... 498 | H11477S ..... 565    | HDJ3/16 ..... 630        | HN10892582 ..... 612    | HY10015899 ..... 361    |
| GR87240 ..... 498 | H11-55W ..... 563    | HDJ3/8 ..... 630         | HP6253WC ..... 51       | HY10015900 ..... 361    |
| GR87250 ..... 498 | H13723S ..... 565    | HDJ5/16 ..... 630        | HPGS100 ..... 51        | HY10015901 ..... 361    |
| GR87270 ..... 498 | H13940S ..... 565    | HDJ7/32 ..... 630        | HPGS100 ..... 252       | HY10015902 ..... 354    |
| GR87830 ..... 498 | H14212S ..... 565    | HDJ9/32 ..... 630        | HPGS200 ..... 51        | HY10015902 ..... 355    |
| GR90122 ..... 509 | H147E ..... 632      | HDS1/16 ..... 630        | HPGS200 ..... 252       | HY10015904 ..... 362    |
| GR90123 ..... 509 | H1-55W ..... 563     | HDS1/2 ..... 630         | HT-1068 ..... 140       | HY10015907 ..... 362    |
| GR90172 ..... 553 | H220002 ..... 178    | HDS1/4 ..... 630         | HT230 ..... 269-270     | HY10015933 ..... 362    |
| GR90173 ..... 553 | H3-130W ..... 563    | HDS1/8 ..... 630         | HT250 ..... 271-272     | HY10015935 ..... 362    |
| GR91042 ..... 553 | H3-35W ..... 563     | HDS10 ..... 630          | HT432-G3-17-157 ... 319 | HY10016045 ..... 354    |



## Part Number Index

|                      |                        |                      |                        |                           |
|----------------------|------------------------|----------------------|------------------------|---------------------------|
| HY10016045..... 362  | HY20004441 ..... 318   | HY20033435 ..... 418 | HY20088231S..... 386   | ID5308 ..... 149          |
| HY10016046..... 362  | HY20004933 ..... 387   | HY20033941 ..... 387 | HYE01-007-6260 ... 393 | ID5310 ..... 149          |
| HY10016265 ..... 376 | HY20005166 ..... 415   | HY20034023 ..... 392 | HYE01-009-4652 ... 393 | ID5312 ..... 149          |
| HY10016339 ..... 362 | HY20005649 ..... 318   | HY20034473 ..... 404 | HYE01-015-6260 ... 393 | ID5316 ..... 149          |
| HY10016426 ..... 410 | HY20005893 ..... 417   | HY20034474 ..... 404 | HYE01-029-618B... 393  | ID5320 ..... 149          |
| HY10016553 ..... 403 | HY20007559 ..... 387   | HY20034476 ..... 415 | HYE01-037-6260 ... 393 | ID5324 ..... 149          |
| HY10017163 ..... 349 | HY20010255 ..... 417   | HY20034481 ..... 400 | HYE01-041-6260 ... 393 | ID5328 ..... 149          |
| HY10017164 ..... 349 | HY20010726 ..... 387   | HY20034482 ..... 400 | HYE01-050-6260 ... 394 | ID5332 ..... 149          |
| HY10017611 ..... 363 | HY20011744 ..... 392   | HY20034489 ..... 400 | HYE01-150-6260 ... 394 | ID5336 ..... 149          |
| HY10017612 ..... 363 | HY20011835 ..... 387   | HY20034490 ..... 400 | HYE01-181-618A... 394  | ID5340 ..... 149          |
| HY10017713 ..... 349 | HY20012031 ..... 387   | HY20035327 ..... 418 | HYE05-008-122A... 403  | ID5344 ..... 149          |
| HY10017714 ..... 349 | HY20013101 ..... 361   | HY20037409 ..... 318 | HYE05-023-1068 ... 404 | ID5348 ..... 149          |
| HY10019375 ..... 403 | HY20013158 ..... 414   | HY20037504 ..... 318 | HYE05-031-1100 ... 404 | ID5352 ..... 149          |
| HY10019499 ..... 410 | HY20013538 ..... 318   | HY20037741 ..... 318 | HYE05-035-1030 ... 404 | ID5706 ..... 149          |
| HY10019603 ..... 410 | HY20013907 ..... 417   | HY20040788 ..... 418 | HYE05-036-1098 ... 404 | ID5708 ..... 149          |
| HY10019838 ..... 410 | HY20014036 ..... 318   | HY20044010 ..... 419 | HYE05-041-103B... 404  | ID5710 ..... 149          |
| HY10020361 ..... 355 | HY20014037 ..... 318   | HY20044260 ..... 403 | HYE05-132-1072 ... 392 | ID5712 ..... 149          |
| HY10020735 ..... 408 | HY20014038 ..... 318   | HY20044476 ..... 329 | HYE05-180-1172 ... 404 | ID5716 ..... 149          |
| HY10021329 ..... 376 | HY20014085 ..... 416   | HY20044477 ..... 329 | HYE05-266-1513 ... 404 | ID5720 ..... 149          |
| HY10022262 ..... 404 | HY20016991 ..... 410   | HY20045500 ..... 392 | HYE06-003-6260 ... 398 | ID5724 ..... 149          |
| HY10022508 ..... 410 | HY20017107 ..... 416   | HY20045724 ..... 419 | HYE06-009-4634 ... 398 | ID5728 ..... 149          |
| HY10022607 ..... 362 | HY20017394 ..... 417   | HY20046915 ..... 408 | HYE06-011-3146 ... 400 | ID5732 ..... 149          |
| HY10022608 ..... 362 | HY20017394G1 ..... 417 | HY20047682 ..... 419 | HYE06-011-618A... 400  | ID5736 ..... 149          |
| HY10023498 ..... 403 | HY20017502G ..... 404  | HY20050370 ..... 363 | HYE06-012-4634 ... 398 | ID5740 ..... 149          |
| HY10024627 ..... 403 | HY20017503G ..... 404  | HY20050391 ..... 363 | HYE06-023-6260 ... 398 | ID5744 ..... 149          |
| HY10025012 ..... 349 | HY20017840 ..... 385   | HY20051280 ..... 363 | HYE06-025-4634 ... 398 | ID5748 ..... 149          |
| HY10025013 ..... 349 | HY20018658 ..... 417   | HY20051291 ..... 363 | HYE06-028-4645 ... 398 | ID5752 ..... 149          |
| HY10025434 ..... 410 | HY20019906 ..... 387   | HY20051352 ..... 392 | HYE06-033-6260 ... 399 | ID5756 ..... 149          |
| HY10026067 ..... 403 | HY20020857 ..... 318   | HY20052063 ..... 419 | HYE06-035-6260 ... 399 | ID5764 ..... 149          |
| HY10028436 ..... 363 | HY20021111 ..... 374   | HY20054038 ..... 386 | HYE06-042-6240 ... 399 | ID5772 ..... 149          |
| HY10028437 ..... 363 | HY20021680 ..... 318   | HY20054516 ..... 419 | HYE06-053-1740 ... 399 | ID5780 ..... 149          |
| HY10028466 ..... 376 | HY20023032 ..... 417   | HY20054531 ..... 392 | HYE06-054-3194 ... 399 | ID5796 ..... 149          |
| HY10028774 ..... 410 | HY20024888 ..... 415   | HY20054642 ..... 363 | HYE06-057-6260 ... 400 | ID6204 ..... 149          |
| HY10029366 ..... 411 | HY20025722 ..... 385   | HY20057522 ..... 392 | HYE06-064-6260 ... 400 | ID6206 ..... 149          |
| HY10029763 ..... 410 | HY20025922 ..... 403   | HY20057789 ..... 415 | HYE06-156-618A... 400  | ID62P08..... 149          |
| HY10029921 ..... 410 | HY20026082 ..... 418   | HY20058457 ..... 419 | HYE06-50-6260..... 399 | ID62P10..... 149          |
| HY10030203 ..... 403 | HY20026083 ..... 418   | HY20058600 ..... 410 | HYE11-026-6260 ... 415 | J4890 ..... 315           |
| HY10030205 ..... 387 | HY20026492 ..... 386   | HY20059505 ..... 318 | HYE15-036-098A... 387  | J4890 ..... 463           |
| HY10030206 ..... 387 | HY20026494 ..... 392   | HY20064923 ..... 392 | HYE19-023-1076 ... 349 | JB101 ..... 589           |
| HY10030759 ..... 362 | HY20027830 ..... 418   | HY20065496 ..... 374 | HYE19-026-1072 ... 349 | JK300 ..... 364           |
| HY10030760 ..... 362 | HY20029909 ..... 387   | HY20065834 ..... 386 | HYE19-168-108C... 349  | JK300L ..... 364          |
| HY10031141 ..... 349 | HY20029914 ..... 374   | HY20066971 ..... 392 | HYE19-189-1134 ... 349 | JK350 ..... 364           |
| HY10031379 ..... 410 | HY20029930 ..... 404   | HY20067813 ..... 385 | HYE19-196-113F ... 349 | JK500 ..... 364           |
| HY10031775 ..... 374 | HY20029931 ..... 404   | HY20068679 ..... 385 | HYE19-197-1113 ... 349 | JK550 ..... 364           |
| HY10032554 ..... 387 | HY20030496 ..... 387   | HY20068680 ..... 385 | HYE19-204-1116 ... 349 | JS150-SB ..... 312        |
| HY10032555 ..... 387 | HY20030498 ..... 404   | HY20069053 ..... 420 | HYVT4150SW10301G.. 363 | JS-2000 ..... 313         |
| HY10032632 ..... 410 | HY20030499 ..... 404   | HY20069281 ..... 415 | HYVT4400GXX02901.. 420 | JS-300-J ..... 312        |
| HY10033738 ..... 403 | HY20031851 ..... 386   | HY20070698 ..... 411 | HYVT4400GXX11102.. 420 | JSK37FSL ..... 581        |
| HY10035596 ..... 408 | HY20032226 ..... 418   | HY20071414 ..... 385 | HYVT4400NXX04201.. 420 | JSK37HSL ..... 581        |
| HY10035778 ..... 403 | HY20032237 ..... 386   | HY20071586 ..... 386 | HYVT4400TXX12001.. 420 | JSK37USL ..... 582        |
| HY10036046 ..... 403 | HY20032474 ..... 400   | HY20071590 ..... 387 | HYVT4400TXX17701.. 420 | JSK73221-50Z..... 581-582 |
| HY10036974 ..... 403 | HY20032475 ..... 400   | HY20074507 ..... 410 | ID0306 ..... 149       | K019708 ..... 40          |
| HY10037479 ..... 403 | HY20032815 ..... 318   | HY20076832 ..... 392 | ID0356 ..... 149       | K019711 ..... 40          |
| HY10042052 ..... 410 | HY20032816 ..... 318   | HY20084076 ..... 386 | ID0406 ..... 149       | K021189 ..... 6           |
| HY20001884 ..... 318 | HY20032817 ..... 318   | HY20084150 ..... 386 | ID5306 ..... 149       | K021189 ..... 7           |



Part Number Index

|                    |                    |                          |                       |                         |
|--------------------|--------------------|--------------------------|-----------------------|-------------------------|
| K021189..... 7     | K704656..... 236   | KIT11350..... 285        | KN28030X..... 12      | L1156..... 562          |
| K021558..... 17    | K704657..... 236   | KIT11351..... 285        | KN28060..... 22       | L1157..... 562          |
| K022105..... 8     | K71-038-00..... 43 | KIT11352..... 285        | KN28060X..... 22      | L1157NA..... 562        |
| K033221..... 17    | K71-047-00..... 43 | KIT11353..... 285        | KN28071X..... 22      | L1893..... 562          |
| K041395..... 6     | K71-048-00..... 43 | KIT11356..... 285        | KN28080..... 22       | L1895..... 562          |
| K041870..... 64    | K71-049-00..... 43 | KIT11357..... 279        | KN28085X..... 22      | L193..... 562           |
| K041876..... 64    | K71-050-00..... 43 | KIT15016..... 113        | KN28131X..... 22      | L194..... 562           |
| K041877..... 64    | K71-104-00..... 44 | KIT15625PM..... 113      | KN28140X..... 22      | L199..... 562           |
| K043197..... 64    | K71-105-00..... 44 | KIT2252H2CD..... 113     | KN28300X..... 22      | L211-2..... 562         |
| K043329..... 55    | K71-125-00..... 44 | KIT8000HD..... 86        | KN28500..... 22       | L300-T-17..... 302      |
| K043329..... 116   | K71-127-00..... 43 | KIT8058..... 102         | KN28510..... 22       | L3057..... 562          |
| K049776..... 13    | K71-148-00..... 43 | KIT8078A..... 99         | KN28520..... 22       | L3156..... 562          |
| K049777..... 13    | K71-165-00..... 43 | KIT8081..... 86          | KN28550..... 22       | L3157..... 562          |
| K056647X..... 2    | K71-166-00..... 43 | KIT8289..... 99          | KN28600..... 23       | L3157NA..... 562        |
| K065765..... 19    | K712905..... 240   | KIT8824HD..... 87        | KN28601..... 23       | L37..... 562            |
| K092641..... 6     | K712950..... 239   | KIT-AA-6000L..... 567    | KN30200X..... 22      | L4411-3..... 563        |
| K095875..... 14    | K712951..... 239   | KIT-BPR-131L..... 567    | KN30300..... 22       | L4416..... 563          |
| K101596..... 40    | K712952..... 239   | KIT-BPR-5092L..... 567   | KN30400..... 22       | L4421..... 563          |
| K101597..... 40    | K712953..... 239   | KIT-BPR-6000L.. 567-568  | KN32041..... 13       | L4509..... 563          |
| K101997..... 493   | K71-315-00..... 43 | KIT-LAT-6000L..... 567   | KN32060..... 13       | L4537..... 563          |
| K108142..... 493   | K71-317-00..... 43 | KIT-OPR-6000 567-568     | KN344110X..... 11     | L4921-1..... 563        |
| K109119..... 3     | K71-319-00..... 43 | KIT-PIN-191 .... 567-568 | KN55001..... 61       | L53..... 562            |
| K120E..... 632     | K71-320-00..... 43 | KIT-PIN-LLB.... 567-568  | KP-0882..... 583      | L55250PREM..... 160     |
| K122E..... 632     | K71-324-00..... 44 | KIT-PUL-5092..... 567    | KP-T-809-CF..... 583  | L561..... 562           |
| K23-026-00..... 42 | K71-363-00..... 44 | KIT-PUL-6000L.. 567-568  | KP-T-809F..... 583    | L67..... 562            |
| K23-027-00..... 42 | K71-365-00..... 45 | KIT-ROD-1108.. 567-568   | KSMA2124515F3..... 74 | L74..... 562            |
| K23-047-00..... 42 | K71-375-00..... 44 | KIT-RPR-5092L..... 567   | KSMA2124702QP..... 74 | L89..... 562            |
| K23-048-00..... 42 | K71-376-00..... 44 | KIT-RPR-6000L.. 567-568  | KW-13637..... 624     | L899..... 562           |
| K23-105-00..... 42 | K71-378-00..... 44 | KIT-RPR-6000R.. 567-568  | KW-14122..... 624     | L904..... 562           |
| K23-106-00..... 42 | K71-401-00..... 45 | KIT-RX-67NTL..... 567    | KW-14764L..... 624    | L906..... 562           |
| K23-180-00..... 42 | K71-403-00..... 45 | KIT-RX-67NTL..... 568    | KW-14764R..... 624    | L912..... 562           |
| K23-181-00..... 42 | K71-418-00..... 44 | KIT-SPRING .... 567-568  | KW-18028..... 624     | L97..... 562            |
| K23-312-00..... 42 | K71-421-00..... 44 | KIT-TMR-134L..... 567    | KW-18531..... 624     | LB383..... 51           |
| K23-313-00..... 42 | K71-498-00..... 43 | KIT-TMR-6000L . 567-568  | KW-8049..... 624      | LC3030..... 57          |
| K23-342-00..... 42 | K71-499-00..... 43 | KN18530..... 10          | L10001..... 473       | LC3030L..... 57         |
| K23-343-00..... 42 | K71-500-00..... 43 | KN20001..... 16          | L10002..... 473       | LG0048-01..... 314      |
| K23-344-00..... 42 | K71-501-00..... 43 | KN20021..... 15          | L10005/10..... 473    | LG0094..... 315         |
| K23-345-00..... 42 | K71-506-00..... 44 | KN20025..... 15          | L10008..... 473       | LG0094-8050..... 315    |
| K23-428-00..... 42 | K71-704-00..... 43 | KN20031..... 15          | L10009..... 473       | LG1870..... 312         |
| K23-434-00..... 42 | K961L..... 632     | KN20080..... 16          | L10011..... 473       | LG2605..... 312         |
| K23-435-00..... 42 | K981R..... 632     | KN20090..... 16          | L10013..... 473       | LG2790..... 315         |
| K23-438-00..... 42 | KIT11102..... 280  | KN20541..... 16          | L10020..... 473       | LG2790..... 463         |
| K23-439-00..... 42 | KIT11107..... 280  | KN20561..... 16          | L1003..... 562        | LG4001-70..... 291      |
| K23-442-00..... 42 | KIT11201..... 280  | KN20607..... 14          | L10003..... 473       | LG4001-90..... 291      |
| K23-443-00..... 42 | KIT11203..... 285  | KN20615..... 14          | L10030..... 473       | LG4003-70..... 291      |
| K23-446-00..... 42 | KIT11300..... 278  | KN20900..... 15          | L10043..... 473       | LG4003-71..... 463      |
| K23-447-00..... 42 | KIT11301..... 278  | KN20901..... 15          | L10070..... 473       | LG4003-72..... 463      |
| K23-450-00..... 42 | KIT11304..... 278  | KN20902..... 15          | L10088..... 473       | LG400B-505..... 291     |
| K23-451-00..... 42 | KIT11305..... 277  | KN20903..... 15          | L10130..... 473       | LG400B-70..... 291      |
| K23-458-00..... 42 | KIT11305..... 278  | KN23000..... 12          | L10131..... 473       | LG400B-90..... 291      |
| K23-459-00..... 42 | KIT11308..... 278  | KN23010..... 12          | L10216..... 473       | LG4700-314000000... 312 |
| K23-464-00..... 42 | KIT11322..... 279  | KN25060..... 12          | L10279..... 473       | LG4700-324000000.. 312  |
| K23-465-00..... 42 | KIT11325..... 279  | KN26010..... 17          | L10301..... 473       | LG6501-70..... 291      |
| K23-468-00..... 42 | KIT11331..... 279  | KN26020..... 17          | L10330..... 473       | LG6501-90..... 291      |
| K23-469-00..... 42 | KIT11347..... 279  | KN27000..... 251         | L10392..... 473       | LG6503-70..... 291      |



## Part Number Index

|                     |     |                  |         |                   |         |                |     |                 |     |
|---------------------|-----|------------------|---------|-------------------|---------|----------------|-----|-----------------|-----|
| LG6503-71.....      | 463 | M85066.....      | 204     | MP-14142.....     | 377     | NL1217.....    | 107 | NL1917.....     | 93  |
| LG6503-72.....      | 463 | M85067.....      | 204     | MP-14211.....     | 407     | NL1224.....    | 98  | NL1920.....     | 93  |
| LG650B-70.....      | 291 | M85070.....      | 204     | MP-62660.....     | 383     | NL1227.....    | 97  | NL1921.....     | 93  |
| LG8700-313072000..  | 312 | M85316.....      | 204     | MP-62661.....     | 383     | NL1228.....    | 100 | NL1940.....     | 95  |
| LG9700-71000000.... | 312 | M85320.....      | 204     | MP-62664.....     | 383     | NL1234.....    | 106 | NL1941.....     | 95  |
| LGD700-212072000.   | 312 | M85323.....      | 204     | MP-62665.....     | 383     | NL1235.....    | 106 | NL1956.....     | 93  |
| LGS-1A105.....      | 291 | M85333.....      | 204     | MP-A0000119.....  | 407     | NL1238.....    | 101 | NL1957.....     | 93  |
| LGS-3A001.....      | 291 | M85724.....      | 204     | MST2255001.....   | 115     | NL1240.....    | 100 | NL1958.....     | 95  |
| LGS-3A105.....      | 291 | M85918.....      | 204     | MTA23T.....       | 281-282 | NL1250.....    | 90  | NL1959.....     | 95  |
| LGS-3A113.....      | 291 | M85919.....      | 277     | MTA25T.....       | 283-284 | NL1252.....    | 107 | NL1970.....     | 94  |
| LGS-4A001.....      | 291 | M85924.....      | 204     | N11171B.....      | 134     | NL1255.....    | 107 | NL1971.....     | 94  |
| LGS-4A105.....      | 291 | M85931.....      | 204     | N12306.....       | 132     | NL1256.....    | 107 | NL24X24X48..... | 370 |
| LGS-5A001.....      | 291 | M85933.....      | 204     | N12306AG.....     | 132     | NL1257.....    | 107 | NL3000.....     | 243 |
| LGS-5A105.....      | 291 | M85954.....      | 204     | N12306G.....      | 132     | NL1258.....    | 107 | NL3001.....     | 243 |
| LIFTPAD-120.....    | 414 | M85958.....      | 204     | N2468K.....       | 612     | NL1259.....    | 107 | NL3001.....     | 586 |
| LIFTPAD-60.....     | 414 | M955205X.....    | 9       | N5008.....        | 156     | NL1260.....    | 107 | NL3013.....     | 234 |
| LP3030.....         | 57  | MARK V.....      | 292-293 | N9508-AA.....     | 141     | NL1261.....    | 107 | NL4200.....     | 104 |
| LP3030K.....        | 57  | MC6000.....      | 351     | N9508-AA.....     | 146     | NL1262.....    | 107 | NL4300.....     | 103 |
| LP3030L.....        | 57  | MC8420KTS.....   | 64      | NL075X102.5X29..  | 368     | NL1263.....    | 107 | NL4400.....     | 104 |
| LP3030LK.....       | 57  | MK21102S.....    | 64      | NL075X102.5X54..  | 368     | NL1277.....    | 97  | NL4500.....     | 103 |
| LSS4515QCXLBL.....  | 81  | MK22102S.....    | 64      | NL075X102X24..... | 368     | NL1280.....    | 98  | NL5006.....     | 156 |
| LU-CC01.....        | 384 | MK22103S.....    | 64      | NL075X102X26..... | 368     | NL1281.....    | 101 | NL5006.....     | 187 |
| LU-RB01.....        | 409 | MK22153S.....    | 64      | NL075X102X29..... | 368     | NL1318.....    | 92  | NL5008.....     | 187 |
| M025001A.....       | 601 | MK225PREM.....   | 54      | NL075X102X50..... | 368     | NL1319.....    | 92  | NL5011.....     | 156 |
| M107794X.....       | 9   | MK23103S.....    | 64      | NL075X102X54..... | 368     | NL1326.....    | 92  | NL5011.....     | 187 |
| M109477X.....       | 9   | MK41100S.....    | 64      | NL090X101X53..... | 370     | NL1327.....    | 92  | NL5015.....     | 156 |
| M109493X.....       | 9   | MK42100S.....    | 64      | NL090X12X53.....  | 370     | NL1334.....    | 94  | NL5015.....     | 187 |
| M109689X.....       | 9   | MK42106S.....    | 64      | NL090X16X53.....  | 370     | NL1335.....    | 94  | NL5102.....     | 156 |
| M3.....             | 78  | MKD769PREM.....  | 54      | NL090X24X53.....  | 370     | NL1336.....    | 94  | NL5102.....     | 184 |
| M312508.....        | 277 | MKD786.....      | 54      | NL090X48X53.....  | 370     | NL1337.....    | 94  | NL5106.....     | 185 |
| M646155.....        | 204 | MKD786A.....     | 54      | NL090X4X8.....    | 370     | NL1378.....    | 93  | NL5107.....     | 185 |
| M8.....             | 78  | MM1200S.....     | 61      | NL090X4X9.....    | 370     | NL1379.....    | 93  | NL5400.....     | 186 |
| M83006.....         | 204 | MM12200S.....    | 61      | NL090X96X53.....  | 370     | NL1380.....    | 93  | NL5401.....     | 156 |
| M83028.....         | 204 | MM1296S.....     | 61      | NL1013.....       | 174     | NL1381.....    | 93  | NL5401.....     | 186 |
| M83038.....         | 204 | MP-0001409.....  | 396     | NL1109.....       | 107     | NL1417.....    | 98  | NL5412.....     | 158 |
| M83041.....         | 204 | MP-00015904..... | 396     | NL1125.....       | 106     | NL1448.....    | 231 | NL5412.....     | 187 |
| M83048.....         | 204 | MP-00033901..... | 396     | NL1126.....       | 106     | NL1448.....    | 244 | NL5413.....     | 158 |
| M8-31.....          | 481 | MP-000785.....   | 401     | NL1133.....       | 60      | NL1463.....    | 106 | NL5413.....     | 187 |
| M83124.....         | 204 | MP-001481.....   | 407     | NL1134.....       | 106     | NL1554.....    | 175 | NL5441.....     | 158 |
| M83125.....         | 204 | MP-00165.....    | 407     | NL1135.....       | 106     | NL1568.....    | 174 | NL5441.....     | 187 |
| M83126.....         | 204 | MP-003951.....   | 413     | NL1136.....       | 106     | NL1616.....    | 83  | NL5442.....     | 158 |
| M83127.....         | 204 | MP-004188.....   | 356     | NL1137.....       | 106     | NL1621BG.....  | 85  | NL5442.....     | 187 |
| M83128.....         | 204 | MP-0065363.....  | 390     | NL1138.....       | 106     | NL1621HD.....  | 85  | NL5480.....     | 158 |
| M83203.....         | 204 | MP-00659.....    | 390     | NL1141.....       | 106     | NL1621HDS..... | 85  | NL5480.....     | 187 |
| M83456.....         | 204 | MP-00660.....    | 390     | NL1143.....       | 106     | NL1624HD.....  | 88  | NL5481.....     | 158 |
| M85000.....         | 204 | MP-01424.....    | 390     | NL1152.....       | 106     | NL1650.....    | 87  | NL5481.....     | 187 |
| M85001.....         | 204 | MP-01902.....    | 409     | NL1153.....       | 106     | NL1680BG.....  | 85  | NL5481.....     | 211 |
| M85003.....         | 204 | MP-019033.....   | 409     | NL1174.....       | 105     | NL1683.....    | 83  | NL5491.....     | 158 |
| M85012.....         | 204 | MP-0190340.....  | 409     | NL1179.....       | 105     | NL1684.....    | 87  | NL5491.....     | 187 |
| M85030.....         | 204 | MP-019083.....   | 409     | NL1205.....       | 90      | NL1685.....    | 87  | NL5500.....     | 184 |
| M85047.....         | 204 | MP-0192404.....  | 409     | NL1205.....       | 107     | NL1686.....    | 83  | NL5501.....     | 184 |
| M85052.....         | 204 | MP-087226.....   | 359     | NL120X16X53.....  | 370     | NL1688.....    | 83  | NL5502.....     | 184 |
| M85061.....         | 204 | MP-087226.....   | 457     | NL120X4X8.....    | 370     | NL1690.....    | 86  | NL5503.....     | 184 |
| M85062.....         | 204 | MP-13500.....    | 390     | NL1210.....       | 90      | NL1695.....    | 83  | NL5510.....     | 186 |
| M85064.....         | 204 | MP-13502.....    | 390     | NL1210.....       | 107     | NL1916.....    | 93  | NL5511.....     | 186 |



## Part Number Index

|                |     |                    |    |                     |     |                    |     |                |     |
|----------------|-----|--------------------|----|---------------------|-----|--------------------|-----|----------------|-----|
| NL5512.....    | 186 | OR281865X.....     | 20 | ORM8-4515TQ.....    | 80  | PM431-91.....      | 465 | R803054.....   | 62  |
| NL5513.....    | 186 | OR281865X.....     | 24 | ORM8-4707TQ.....    | 80  | PM490A.....        | 554 | R803055.....   | 62  |
| NL5532.....    | 184 | OR281923X.....     | 24 | ORM8-4709-2.....    | 80  | PM490R.....        | 554 | R803058.....   | 62  |
| NL5533.....    | 184 | OR281923X.....     | 28 | ORMV23-4515TQ.....  | 80  | PM491A.....        | 554 | R803059.....   | 62  |
| NL77.....      | 226 | OR283040X.....     | 16 | ORMV23-4707TQ.....  | 80  | PM491R.....        | 554 | R803102.....   | 62  |
| NL97.....      | 227 | OR283040X.....     | 24 | ORMV23-4709-2.....  | 80  | PM824R.....        | 465 | R803106.....   | 62  |
| NL97H.....     | 230 | OR283940X.....     | 20 | OSG10-C.....        | 591 | PM87.....          | 51  | R803108.....   | 62  |
| NL97H.....     | 231 | OR283940X.....     | 24 | OSG15-C.....        | 591 | PSMA2124515Q.....  | 74  | R803109.....   | 62  |
| NL97S.....     | 227 | OR284358X.....     | 10 | OSG21-C.....        | 591 | PSMA2124707QP..... | 74  | R803110.....   | 62  |
| NO232.....     | 506 | OR284358X.....     | 24 | OSG31-C.....        | 591 | PSMA3124702Q.....  | 74  | R803111.....   | 62  |
| NO233.....     | 506 | OR284412X.....     | 24 | OSG41-C.....        | 591 | QP300-QT.....      | 470 | R803112.....   | 62  |
| NO552.....     | 506 | OR284412X.....     | 28 | P108940A.....       | 358 | QP300-QT.....      | 413 | R803114.....   | 62  |
| OR101100X..... | 23  | OR286171X.....     | 24 | PA1704.....         | 3   | R000540.....       | 108 | R803116.....   | 62  |
| OR101100X..... | 24  | OR286364X.....     | 24 | PA2525.....         | 626 | R000572.....       | 108 | R803195.....   | 62  |
| OR101112X..... | 17  | OR286370X.....     | 20 | PA2729.....         | 626 | R000573.....       | 108 | R806019.....   | 63  |
| OR101112X..... | 24  | OR286370X.....     | 24 | PAN17.....          | 114 | R-001346.....      | 276 | R810005.....   | 63  |
| OR101622X..... | 17  | OR287114X.....     | 20 | PAN19.....          | 114 | R-003200A.....     | 276 | R810018.....   | 63  |
| OR101622X..... | 24  | OR287114X.....     | 24 | PAN22.....          | 123 | R-003270.....      | 276 | R810019.....   | 63  |
| OR101818X..... | 23  | OR287376X.....     | 17 | PAN22-1.....        | 113 | R1159.....         | 601 | R810021.....   | 63  |
| OR101818X..... | 24  | OR287376X.....     | 24 | PB16.....           | 477 | R1159H.....        | 601 | R810025.....   | 63  |
| OR102626X..... | 20  | OR287417X.....     | 24 | PEC448.....         | 35  | R230068.....       | 632 | R824000.....   | 61  |
| OR102626X..... | 24  | OR288063X.....     | 17 | PECW-48.....        | 35  | R230069.....       | 632 | R824003.....   | 61  |
| OR102761X..... | 24  | OR288063X.....     | 24 | PH-10RP41.....      | 584 | R230072.....       | 632 | R824004.....   | 61  |
| OR103009X..... | 20  | OR288063X.....     | 24 | PH-10RP51.....      | 584 | R230073.....       | 632 | R824009.....   | 61  |
| OR103009X..... | 24  | OR288239X.....     | 15 | PH20.....           | 51  | R230139.....       | 632 | R950011.....   | 9   |
| OR103010X..... | 20  | OR288239X.....     | 24 | PH20.....           | 586 | R230140.....       | 632 | R950013.....   | 9   |
| OR103010X..... | 24  | OR288241X.....     | 15 | PH-210RA11.....     | 584 | R55250.....        | 160 | R950014.....   | 9   |
| OR103028X..... | 20  | OR288241X.....     | 24 | PH-210RN11.....     | 584 | R55251.....        | 160 | R950015.....   | 9   |
| OR103028X..... | 24  | OR288301X.....     | 24 | PH-30RP51.....      | 584 | R55314.....        | 160 | R950017.....   | 9   |
| OR103061X..... | 17  | OR288383X.....     | 24 | PH-30SA41.....      | 584 | R55849.....        | 160 | R950068.....   | 9   |
| OR103061X..... | 24  | OR288605X.....     | 24 | PH-30SB51.....      | 584 | R55850.....        | 160 | R950069.....   | 9   |
| OR103081X..... | 17  | OR289144X.....     | 24 | PH-400.....         | 585 | R607005.....       | 96  | R95012790..... | 34  |
| OR103081X..... | 24  | OR289714X.....     | 24 | PH-400-1.....       | 585 | R607006.....       | 96  | R953.....      | 600 |
| OR106941X..... | 24  | OR65145X.....      | 19 | PH-410RA11.....     | 584 | R607009.....       | 96  | R955205.....   | 9   |
| OR109264X..... | 20  | OR65145X.....      | 20 | PH-410RN11.....     | 584 | R607010.....       | 96  | R955300.....   | 9   |
| OR109264X..... | 24  | OR65145X.....      | 24 | PH-760.....         | 585 | R607055.....       | 92  | R955320.....   | 32  |
| OR109615X..... | 17  | OR65146X.....      | 19 | PH-990ST71.....     | 585 | R607056.....       | 92  | R955321.....   | 32  |
| OR109615X..... | 24  | OR65146X.....      | 20 | PKSMA2124515Q.....  | 74  | R607113.....       | 94  | R955322.....   | 32  |
| OR109617X..... | 17  | OR65146X.....      | 24 | PKSMA2124707QP..... | 74  | R607114.....       | 94  | R955322.....   | 32  |
| OR109617X..... | 24  | OR685-4707TQ.....  | 80 | PL164PMT.....       | 131 | R607161.....       | 94  | R955323.....   | 32  |
| OR229505X..... | 24  | ORFC23-4515TQ..... | 80 | PL169PMT.....       | 131 | R607162.....       | 94  | R955329.....   | 34  |
| OR229635X..... | 24  | ORFC23-4707TQ..... | 80 | PL271PMT.....       | 131 | R607189.....       | 93  | R955335.....   | 34  |
| OR229813X..... | 24  | ORM3-1308E.....    | 80 | PL272PMT.....       | 131 | R607190.....       | 93  | R955336.....   | 34  |
| OR229859X..... | 24  | ORM3-1308Q.....    | 80 | PL279PMT.....       | 131 | R607253.....       | 96  | R955338.....   | 34  |
| OR229860X..... | 24  | ORM3-1443.....     | 80 | PL62PMT.....        | 131 | R607254.....       | 96  | R955341.....   | 34  |
| OR275491X..... | 10  | ORM3-4311.....     | 80 | PL68PMT.....        | 131 | R615010.....       | 100 | R955342.....   | 34  |
| OR275491X..... | 24  | ORM3-4515FQ.....   | 80 | PM140FA.....        | 464 | R6206M.....        | 116 | R955344.....   | 32  |
| OR276566X..... | 24  | ORM3-4515TQ.....   | 80 | PM140FR.....        | 464 | R801001.....       | 62  | R955345.....   | 32  |
| OR276567X..... | 24  | ORM3-4707TQ.....   | 80 | PM143FA.....        | 464 | R801002.....       | 62  | R955346.....   | 32  |
| OR277340X..... | 24  | ORM3-4709-2.....   | 80 | PM143FR.....        | 464 | R801070.....       | 62  | R955347.....   | 32  |
| OR277863X..... | 24  | ORM8-1308E.....    | 80 | PM175FA.....        | 465 | R801700.....       | 63  | R955374.....   | 36  |
| OR279000X..... | 24  | ORM8-1308Q.....    | 80 | PM175FR.....        | 465 | R803048.....       | 62  | R955375.....   | 36  |
| OR279180X..... | 20  | ORM8-1443.....     | 80 | PM190FA.....        | 465 | R803049.....       | 62  | R955378.....   | 34  |
| OR279180X..... | 24  | ORM8-4311.....     | 80 | PM190FR.....        | 465 | R803050.....       | 62  | R955382.....   | 36  |
| OR280758X..... | 24  | ORM8-4515FQ.....   | 80 | PM424R.....         | 464 | R803051.....       | 62  | R955383.....   | 36  |





## Part Number Index

|                     |                      |                  |                       |                     |
|---------------------|----------------------|------------------|-----------------------|---------------------|
| R955423.....36      | RS75.....561         | S21099.....275   | S28289.....275        | S8946060500.....33  |
| R955425.....36      | RS75.....603         | S21181.....103   | S28290.....275        | S8946062752.....33  |
| R955426.....36      | RS75C.....561        | S21292.....203   | S28500-1650.....126   | S8946073120.....33  |
| R955427.....36      | RS75C.....603        | S21307.....275   | S28654.....275        | S8946073130.....33  |
| R980.....600        | RT1.....60           | S21337.....275   | S28655.....275        | SA13237L1130.....34 |
| R980H.....600       | RT1000-000.....176   | S21477-8.....275 | S28890.....104        | SB200.....611       |
| R983.....600        | RT18.....602         | S21786.....199   | S28929.....199        | SB-7.....111,112    |
| RA12002RX.....505   | RT25.....555         | S21800.....199   | S29892.....199        | SBH6609-117.....133 |
| RAR-240.....286-287 | RT25.....594         | S22045.....199   | S29895.....203        | SBH6609-129.....133 |
| RCA-215T.....288    | RT28510.....51       | S22046.....199   | S31159.....60         | SBH6809-117.....133 |
| RDB18.....628       | RT35.....555         | S2212.....203    | S3-600-1540CB.....139 | SC09.....57         |
| RDB20.....628       | RT35.....594         | S22366.....275   | S3-600-1540CBR...139  | SC12.....57         |
| RDB22.....628       | RTP1.....60          | S22619/2.....199 | S3-600-1540CR.....139 | SC16.....57         |
| RDB24.....628       | RTP2.....60          | S22630/2.....199 | S3-600-15CB.....139   | SC20.....57         |
| RH55250SX.....160   | RW1073X.....607      | S22631/2.....199 | S3-600-15CBR.....139  | SC24.....57         |
| RK-04413.....580    | RW1162X.....607      | S22632/2.....199 | S3-600-15CR.....139   | SC24L.....57        |
| RK-06973-1.....578  | RW1170X.....607      | S22635/2.....199 | S3646.....275         | SC30.....57         |
| RK-10605.....577    | RW1172X.....607      | S22908/2.....199 | S4005001010.....33    | SC36.....57         |
| RK10606-1.....577   | RW1176X.....607      | S22909/2.....199 | S4005001010.....34    | SET401T.....161     |
| RK-10689-1.....577  | RW1180X.....607      | S22948.....199   | S4005001030.....33    | SET402T.....161     |
| RK-10689-2.....577  | RW1190X.....607      | S23114.....199   | S4005001040.....33    | SET403T.....161     |
| RK-10689-3.....577  | RW1194PX.....607     | S23460.....274   | S4008506010.....33    | SET405T.....161     |
| RK-10700.....577    | RW1310X.....607      | S23548.....203   | S4008506020.....33    | SET406T.....161     |
| RK-10990.....574    | RW1760X.....607      | S23566.....203   | S4324130010.....9     | SET407T.....161     |
| RK-10999.....574    | RW4069X.....607      | S23612.....199   | S4325000050.....34    | SET408T.....161     |
| RK-11285.....314    | RW4076X.....607      | S23613.....199   | S4461082010.....33    | SET409T.....161     |
| RK-11287.....314    | RW4077X.....607      | S23614.....199   | S4461082040.....33    | SET411T.....161     |
| RK-11289.....314    | RW4114X.....607      | S23649.....203   | S4461460050.....35    | SET412T.....161     |
| RK-11291.....314    | RW4123PX.....607     | S23650.....203   | S4493151100.....34    | SET413T.....161     |
| RK-11443.....314    | RW4124X.....607      | S23651.....203   | S4493151500.....34    | SET414T.....161     |
| RK-11683.....314    | RW4125PX.....607     | S23720.....199   | S4493260050.....33    | SET415T.....161     |
| RK-201-A3-L.....570 | RW6012X.....607      | S23721.....199   | S4493260100.....33    | SET419T.....161     |
| RK-2500-10.....580  | RW6075X.....607      | S23974.....104   | S4493260100.....33    | SET420T.....161     |
| RK-351-A-L.....569  | S1-400-15CB.....139  | S24021.....203   | S4493260300.....33    | SET423T.....161     |
| RK-4109939.....574  | S1-400-15CBR.....139 | S24023.....203   | S4493260400.....33    | SET424T.....161     |
| RK-FWS-A-L.....574  | S1-400-15CR.....139  | S24024.....203   | S4493260470.....33    | SET425T.....161     |
| RL230.....254-255   | S14108.....275       | S24049/2.....203 | S4493260600.....33    | SET426T.....161     |
| RL250.....256-257   | S14187.....273       | S24088.....203   | S4493280300.....34    | SET427T.....161     |
| RL250-14.....253    | S14587-1.....203     | S24445.....199   | S4493641500.....33    | SET428T.....161     |
| RL250-17.....253    | S14587-3.....203     | S24459.....275   | S4493641530.....33    | SET429T.....161     |
| RLU250-9.....253    | S17CL0079-5000...258 | S24460.....275   | S4497130180.....34    | SET430T.....161     |
| RO5B5X10.....51     | S17CP0103-5000...258 | S24636-1L.....94 | S4497130300.....34    | SET431T.....161     |
| RP-102K-PPW.....388 | S20001.....203       | S24636-1R.....94 | S4497130500.....34    | SET439T.....161     |
| RP-115K-PPW.....388 | S20002.....203       | S24679.....275   | S4721950330.....33    | SET4T.....161       |
| RP-881K-PPW.....388 | S20010.....199       | S24705.....275   | S4721950330.....34    | SET6T.....161       |
| RP-883K-PPW.....388 | S20031/2.....203     | S24736.....275   | S4721950520.....34    | SH1.....478         |
| RP-958K-PPW.....388 | S20069.....203       | S25515.....203   | S4725000072.....34    | SH5.....478         |
| RS100.....561       | S20124.....199       | S25516.....203   | S4801070000.....35    | SH6755S.....51      |
| RS100.....603       | S20126.....203       | S25593.....273   | S608.....134          | SK01135.....413     |
| RS100C.....561      | S20127.....199       | S25872.....199   | S609.....134          | SK01136.....413     |
| RS100C.....603      | S20217.....199       | S2592.....203    | S6914S24691.....275   | SK01330.....359     |
| RS141026X.....504   | S20223.....199       | S26321.....275   | S8946049440.....33    | SK01330.....457     |
| RS142001X.....504   | S20901.....199       | S26807.....275   | S8946049450.....33    | SK01510.....408     |
| RS3516.....626      | S20924.....275       | S2723.....203    | S8946060370.....33    | SK01512.....408     |
| RS3517.....626      | S20925.....275       | S2770.....275    | S8946060380.....33    | SK01513.....408     |



### Part Number Index

|                 |                      |                        |                  |                  |
|-----------------|----------------------|------------------------|------------------|------------------|
| SK01695.....413 | SK57620.....381      | SUP560.....600         | TK18997.....234  | TL10715.....527  |
| SK01715.....377 | SK58425.....392      | SUP570.....600         | TK18998.....234  | TL10721.....517  |
| SK01792.....381 | SK58964.....389      | SUP574.....600         | TK21962.....236  | TL10724.....517  |
| SK01793.....381 | SK58998.....406      | SUP7300.....601        | TK24654.....238  | TL10725.....517  |
| SK01796.....374 | SK59025.....406      | SUP7340.....601        | TK24656.....238  | TL10727.....517  |
| SK01796.....413 | SK59329.....406      | SUPER33.....467        | TK25434.....238  | TL10728.....517  |
| SK01803.....413 | SK59773.....389      | SUPER33.....499        | TK7319.....238   | TL10729.....517  |
| SK01854.....402 | SK62014.....406      | SV404P.....129         | TL00814.....517  | TL10730.....517  |
| SK01857.....402 | SK62150.....389      | SV404P-10-6.....28     | TL10050R.....541 | TL10738.....517  |
| SK03396.....396 | SK62151.....389      | SV404P-10-8.....28     | TL10050Y.....541 | TL10744R.....512 |
| SK03500.....381 | SK63574.....392      | SV404P-12-6.....28     | TL10051R.....465 | TL11096.....238  |
| SK03690.....316 | SK63580.....406      | SV404P-12-8.....28     | TL10051R.....541 | TL1211.....514   |
| SK03690.....413 | SK68971.....389      | SV404P-6-6.....28      | TL10051Y.....465 | TL1211A.....514  |
| SK03691.....316 | SK-7.....111,112     | T150MOX2.....488       | TL10051Y.....541 | TL1259.....514   |
| SK03691.....413 | SL0854.....221       | T2224.....235          | TL10075R.....542 | TL1259A.....514  |
| SK06043.....396 | SL0854-05.....221    | T5424.....232          | TL10075Y.....542 | TL129.....493    |
| SK06782.....389 | SLOA1238.....222     | T5425.....232          | TL102.....491    | TL14200R.....512 |
| SK13256.....381 | SLTPL7000L.....568   | T5426.....232          | TL10202C.....530 | TL14200Y.....512 |
| SK13257.....381 | SN161.....4          | T5428.....232          | TL10202R.....512 | TL14700.....512  |
| SK14393.....381 | SN4017A.....23       | T5429.....232          | TL10202Y.....512 | TL14700.....515  |
| SK14394.....381 | SN-7.....111,112     | T5492.....235          | TL10203R.....514 | TL14701.....515  |
| SK21887.....389 | SO-RB01.....409      | T5493.....235          | TL10203Y.....514 | TL15011.....464  |
| SK27555.....406 | SO-RP02.....391      | T5562.....232          | TL10205R.....512 | TL15011.....529  |
| SK27820.....408 | SP170-70-18X.....609 | T5563.....232          | TL10205Y.....512 | TL15040.....465  |
| SK44094.....389 | SP250-70-18X.....609 | T5564.....232          | TL10208R.....512 | TL15040.....529  |
| SK45048.....413 | SP5-153X.....609     | T5565.....232          | TL10208Y.....512 | TL15040.....542  |
| SK45290.....381 | SP5-155X.....609     | T5566.....232          | TL10212Y.....541 | TL15050R.....542 |
| SK45302.....389 | SP5-170X.....609     | T588-6PYRO.....624     | TL10215R.....464 | TL1507.....513   |
| SK45596.....406 | SP5-279X.....609     | T7175.....234          | TL10215Y.....464 | TL1507A.....513  |
| SK46859.....402 | SP5-280X.....609     | T7175.....238          | TL10250R.....541 | TL15200C.....529 |
| SK47048.....402 | SP5-281X.....609     | T7716.....234          | TL10250Y.....541 | TL15200R.....512 |
| SK47158.....389 | SP5-407X.....609     | T7716.....238          | TL10251R.....541 | TL15200Y.....512 |
| SK47234.....413 | SP5-674X.....609     | TB-0273-07U8N001D..422 | TL10251Y.....541 | TL15205.....465  |
| SK47284.....377 | SP5-675X.....609     | TB-CHASSIS-BUMPER.455  | TL10275R.....542 | TL15205.....542  |
| SK47405.....413 | SP5-676X.....609     | TF-0110.....580        | TL10275Y.....542 | TL15208.....464  |
| SK47424.....413 | SP5-677X.....609     | TFT2000.....422        | TL10276R.....542 | TL15208.....529  |
| SK47428.....377 | SP6.5-70-18X.....609 | TFT2000-KIT.....422    | TL10276Y.....542 | TL15208.....542  |
| SK47454.....396 | SPL100-1X.....609    | TF-TLN-2500.....580    | TL10279R.....542 | TL15227.....542  |
| SK49057.....389 | SPL170-4X.....609    | TF-TLN-5001.....580    | TL10279Y.....542 | TL15250R.....543 |
| SK51322.....402 | SPL250-3X.....609    | TG228000-5311.....504  | TL10286R.....541 | TL15250Y.....543 |
| SK52017.....377 | SPR-128.....568      | TG428000-2690.....504  | TL10286Y.....541 | TL15401.....516  |
| SK52535.....389 | SQHDWKIT.....315     | TG428000-4420.....504  | TL10389R.....541 | TL15404.....516  |
| SK52920.....413 | SQHDWKIT15.....315   | TG428000-4430.....504  | TL10389Y.....541 | TL15405.....516  |
| SK52921.....413 | SR1VA105.....199     | TG428000-4440.....504  | TL10401.....515  | TL15414.....516  |
| SK53513.....406 | SS7420-114.....133   | TG428000-5190.....504  | TL10402.....515  | TL1560.....543   |
| SK54120.....406 | SS7820-108.....133   | TG428000-5730.....504  | TL10403.....515  | TL1560A.....543  |
| SK54244.....406 | SS7820-114.....133   | TGL3410.....51         | TL10404.....515  | TL15702.....515  |
| SK54280.....381 | SS7820-72.....133    | TGL3410.....634        | TL10410.....516  | TL15727.....516  |
| SK54960.....381 | ST3901-7.....557     | TGL3410ST.....51       | TL10412.....515  | TL15728.....516  |
| SK55567.....389 | STRICK ICC.....421   | TGL3410ST.....634      | TL10414.....515  | TL15729.....516  |
| SK55724.....381 | SU-001014.....383    | TH-10050-3R.....586    | TL1050.....541   | TL15741R.....512 |
| SK56274.....389 | SU-001015.....383    | TH-10050-L3.....586    | TL1050A.....541  | TL15745R.....512 |
| SK57160.....389 | SU-015201011.....407 | TK10547.....238        | TL10700.....515  | TL172.....506    |
| SK57236.....406 | SUP530.....600       | TK11224.....238        | TL10704.....515  | TL18050R.....543 |
| SK57498.....389 | SUP550.....600       | TK12506.....234        | TL10708.....515  | TL18050Y.....543 |



## Part Number Index

|               |     |               |     |               |     |                 |     |                 |     |
|---------------|-----|---------------|-----|---------------|-----|-----------------|-----|-----------------|-----|
| TL18300R..... | 513 | TL270.....    | 506 | TL33250Y..... | 546 | TL41.....       | 554 | TL5316Y101..... | 524 |
| TL18300Y..... | 513 | TL285.....    | 506 | TL33275R..... | 546 | TL41202R.....   | 524 | TL54.....       | 554 |
| TL19002R..... | 512 | TL29202R..... | 513 | TL33275Y..... | 546 | TL41203T.....   | 524 | TL54A.....      | 554 |
| TL19002Y..... | 512 | TL29202Y..... | 513 | TL33740R..... | 546 | TL41A.....      | 554 | TL5800AA.....   | 526 |
| TL19200C..... | 529 | TL29203R..... | 513 | TL35001R..... | 547 | TL42722.....    | 529 | TL5800AAK.....  | 526 |
| TL19200R..... | 512 | TL29203Y..... | 513 | TL35001Y..... | 547 | TL44030R.....   | 548 | TL60002R.....   | 524 |
| TL19200Y..... | 512 | TL30050R..... | 545 | TL35200R..... | 547 | TL44032R.....   | 548 | TL60002Y.....   | 524 |
| TL19202Y..... | 512 | TL30050Y..... | 545 | TL35200Y..... | 547 | TL44036R.....   | 548 | TL60004C.....   | 528 |
| TL19206.....  | 529 | TL30051R..... | 465 | TL35375R..... | 546 | TL44102Y.....   | 559 | TL60015R.....   | 526 |
| TL19250R..... | 543 | TL30051Y..... | 465 | TL35375Y..... | 546 | TL44202R.....   | 548 | TL60015Y.....   | 526 |
| TL19250Y..... | 543 | TL30200C..... | 530 | TL35720.....  | 547 | TL44222R.....   | 548 | TL60050R.....   | 549 |
| TL19375R..... | 543 | TL30200R..... | 514 | TL35740R..... | 547 | TL44302R.....   | 548 | TL60072Y.....   | 549 |
| TL19375Y..... | 543 | TL30200Y..... | 514 | TL36115R..... | 547 | TL44322R.....   | 465 | TL60075Y.....   | 549 |
| TL1960.....   | 543 | TL30201R..... | 514 | TL36115Y..... | 547 | TL44322R.....   | 548 | TL60080Y.....   | 549 |
| TL1960A.....  | 543 | TL30201Y..... | 514 | TL36203R..... | 547 | TL44326R.....   | 548 | TL60115Y.....   | 550 |
| TL19720.....  | 516 | TL30221R..... | 464 | TL36203Y..... | 547 | TL44705.....    | 548 | TL60120Y.....   | 559 |
| TL19721.....  | 512 | TL30221R..... | 514 | TL40002R..... | 523 | TL45.....       | 554 | TL60201R.....   | 526 |
| TL19721.....  | 516 | TL30221Y..... | 464 | TL40002Y..... | 523 | TL45202R.....   | 524 | TL60201Y.....   | 526 |
| TL19722.....  | 516 | TL30221Y..... | 514 | TL40004.....  | 528 | TL45202Y.....   | 524 | TL60202R.....   | 524 |
| TL19724.....  | 516 | TL30222R..... | 514 | TL40028R..... | 523 | TL45700.....    | 527 | TL60202Y.....   | 524 |
| TL19728.....  | 516 | TL30222Y..... | 514 | TL40042R..... | 523 | TL45A.....      | 554 | TL60204.....    | 528 |
| TL19738.....  | 543 | TL30230Y..... | 514 | TL40048R..... | 523 | TL4742.....     | 526 | TL60215R.....   | 526 |
| TL19740.....  | 516 | TL30250R..... | 545 | TL40202R..... | 523 | TL50400.....    | 501 | TL60215Y.....   | 526 |
| TL19750.....  | 516 | TL30250Y..... | 545 | TL40202Y..... | 523 | TL50600.....    | 501 | TL60250R.....   | 549 |
| TL20304Y..... | 526 | TL30251R..... | 545 | TL40203.....  | 530 | TL50800.....    | 501 | TL60252R.....   | 549 |
| TL21001R..... | 513 | TL30257Y..... | 466 | TL40204.....  | 528 | TL50805.....    | 500 | TL60260R.....   | 549 |
| TL21001Y..... | 513 | TL30257Y..... | 514 | TL40215R..... | 523 | TL50806.....    | 500 | TL60272Y.....   | 549 |
| TL21002R..... | 513 | TL30271Y..... | 466 | TL40229R..... | 464 | TL50808.....    | 500 | TL60275Y.....   | 549 |
| TL21002Y..... | 513 | TL30271Y..... | 545 | TL40229R..... | 523 | TL50813.....    | 501 | TL60280Y.....   | 549 |
| TL21004C..... | 529 | TL30272Y..... | 466 | TL40242R..... | 523 | TL50820.....    | 501 | TL60290Y.....   | 549 |
| TL21051R..... | 544 | TL30275R..... | 545 | TL40242Y..... | 523 | TL50830.....    | 501 | TL60315Y.....   | 550 |
| TL21051Y..... | 544 | TL30275Y..... | 545 | TL40244.....  | 528 | TL50831.....    | 527 | TL60317Y.....   | 550 |
| TL21075R..... | 544 | TL30276R..... | 545 | TL40248R..... | 523 | TL50840.....    | 501 | TL6050.....     | 550 |
| TL21075Y..... | 544 | TL30279R..... | 545 | TL40282R..... | 523 | TL50841.....    | 501 | TL6050A.....    | 550 |
| TL21201R..... | 513 | TL30279Y..... | 545 | TL40282Y..... | 523 | TL50842.....    | 501 | TL6060C.....    | 550 |
| TL21201Y..... | 513 | TL30285R..... | 545 | TL40403.....  | 527 | TL50843.....    | 501 | TL60700.....    | 527 |
| TL21204C..... | 529 | TL30285Y..... | 545 | TL4050.....   | 548 | TL50845.....    | 501 | TL60703.....    | 527 |
| TL21210Y..... | 544 | TL30375R..... | 545 | TL4050A.....  | 548 | TL50846.....    | 501 | TL60719.....    | 550 |
| TL21275R..... | 544 | TL30375Y..... | 545 | TL4060C.....  | 548 | TL50847.....    | 501 | TL60720.....    | 527 |
| TL21275Y..... | 544 | TL30401.....  | 515 | TL40700.....  | 527 | TL50850.....    | 501 | TL60721.....    | 549 |
| TL21275Y..... | 544 | TL30402.....  | 515 | TL40715.....  | 527 | TL50860.....    | 500 | TL60722.....    | 527 |
| TL21501R..... | 513 | TL30403.....  | 517 | TL40720.....  | 527 | TL50861.....    | 500 | TL60723.....    | 527 |
| TL21501Y..... | 513 | TL30404.....  | 517 | TL40722.....  | 525 | TL50865.....    | 500 | TL60728.....    | 527 |
| TL21720.....  | 513 | TL30405.....  | 517 | TL40725.....  | 523 | TL50866.....    | 500 | TL60730.....    | 527 |
| TL22002Y..... | 526 | TL3050.....   | 545 | TL40742.....  | 525 | TL50867.....    | 500 | TL60750.....    | 550 |
| TL22004Y..... | 526 | TL3050A.....  | 545 | TL40743.....  | 525 | TL50869.....    | 500 | TL80251C.....   | 550 |
| TL22006Y..... | 526 | TL30708.....  | 527 | TL40746.....  | 525 | TL50875.....    | 500 | TL80334R.....   | 523 |
| TL22202Y..... | 526 | TL30728.....  | 517 | TL40747.....  | 525 | TL50879.....    | 501 | TL80350.....    | 530 |
| TL242.....    | 506 | TL30740R..... | 514 | TL40754.....  | 525 | TL50880.....    | 500 | TL80351.....    | 530 |
| TL25760Y..... | 513 | TL33010C..... | 546 | TL40755.....  | 525 | TL50882.....    | 500 | TL80354.....    | 530 |
| TL26330.....  | 529 | TL33050R..... | 546 | TL40756.....  | 525 | TL50883.....    | 500 | TL80360.....    | 531 |
| TL26331.....  | 529 | TL33050Y..... | 546 | TL40757.....  | 525 | TL50898.....    | 501 | TL80374.....    | 531 |
| TL26335.....  | 529 | TL33075R..... | 546 | TL40762.....  | 525 | TL52.....       | 554 | TL80388.....    | 531 |
| TL26336.....  | 529 | TL33075Y..... | 546 | TL40763.....  | 525 | TL52A.....      | 554 | TL80396.....    | 531 |
| TL26762Y..... | 553 | TL33250R..... | 546 | TL40850.....  | 525 | TL5315Y101..... | 524 | TL80800.....    | 531 |



### Part Number Index

|                   |                        |                         |                        |                        |
|-------------------|------------------------|-------------------------|------------------------|------------------------|
| TL81260 ..... 551 | TL98001R..... 554      | U-CF6703-901 ..... 243  | VS-29004-2..... 179    | WH77KIT ..... 335      |
| TL81360 ..... 551 | TL98001Y..... 554      | U-CF6963-1 ..... 241    | VS-29854..... 179      | WH90X100BSKIT ... 331  |
| TL81380 ..... 551 | TL98003R..... 554      | U-CF8317-1 ..... 241    | VS-31503-1..... 179    | WH90X100BSWH.. 331     |
| TL81500 ..... 551 | TL98003Y..... 554      | UP1035-20KIT ..... 233  | VS-31503-2..... 179    | WH90X100BSWHKIT.. 331  |
| TL8160 ..... 551  | TODCO 1-1/8. 326-327   | UP16158-01KIT ..... 227 | VS-31503-3..... 179    | WH90X90BS..... 331     |
| TL900 ..... 493   | TODCO 3/4 ... 324-325  | UP16398-04KIT ..... 231 | VS-31504-1..... 179    | WH90X90BSKIT .... 331  |
| TL9007 ..... 553  | TP-10130.....62        | UP715-00KIT..... 231    | VS-31504-2..... 179    | WH9723 ..... 335       |
| TL9007A..... 553  | TP-4786 .....62        | UPSP0131KIT..... 246    | VS32056-1 ..... 179    | WH9723-1 ..... 335     |
| TL90325Y..... 526 | TP-4787 .....62        | UPSP0143KIT..... 246    | VS-32068-3..... 179    | WH9723-11 ..... 335    |
| TL905 ..... 493   | TRA011 ..... 206       | UT-BR03-625..... 402    | VS-5085D-1..... 179    | WH98X100BS..... 331    |
| TL9093 ..... 553  | TRA012 ..... 206       | UT-NR02 ..... 379       | VT4300LSW-001 .... 361 | WH98X100BSKIT ... 331  |
| TL9093A..... 553  | TRA013 ..... 206       | UT-RB01 ..... 409       | VT4300RSW-001 ... 361  | WH98X107BS..... 331    |
| TL93745 ..... 519 | TRA015 ..... 206       | UT-RP03-PPW ..... 391   | WA-NR01..... 379       | WH98X107BSKIT ... 331  |
| TL93745 ..... 552 | TRA017 ..... 206       | UT-SS03 ..... 411       | WA-RP02 ..... 391      | WH98X107BSWH.. 331     |
| TL93906 ..... 519 | TRA026 ..... 206       | UXA000017 ..... 241     | WA-RP03-MFA..... 391   | WH98X107BSWHKIT.. 331  |
| TL93908 ..... 518 | TRA031 ..... 206       | U-XA0026-1..... 242     | WA-TR01-624..... 396   | WHITING 3/4.. 332-333  |
| TL94706 ..... 552 | TRA035 ..... 206       | U-XA0028 ..... 242      | WCF003981-001.... 359  | WJ201A ..... 634       |
| TL94707 ..... 465 | TRA037 ..... 206       | U-XA0034 ..... 241      | WCF003981-001.... 457  | WJ206 ..... 634        |
| TL94707 ..... 552 | TRA038 ..... 206       | U-XA0048 ..... 242      | WCH02..... 189         | WK4515X3CXLBL.....81   |
| TL94718 ..... 552 | TRA051 ..... 206       | V1212G..... 411         | WCH03..... 189         | WK4702QCXLBL.....81    |
| TL94862 ..... 465 | TRA074 ..... 206       | V1212N..... 411         | WH10-1003-8 ..... 321  | WK4709E2CXLBL .....81  |
| TL94862 ..... 552 | TRA075 ..... 206       | V1212W..... 411         | WH1021 ..... 335       | WKS4515QCXLBL ...81    |
| TL94897 ..... 519 | TRA1492..... 208       | V1224N..... 411         | WH1207 ..... 335       | WKS4707QCXLBL ...81    |
| TL94902 ..... 464 | TRA2256-SP ..... 209   | V1224W..... 411         | WH1208 ..... 335       | WS-3/4..... 352        |
| TL94902 ..... 515 | TRA2270..... 209       | V402P..... 129          | WH1209A ..... 335      | WW1G..... 481          |
| TL94902 ..... 518 | TRA2297HD ..... 209    | V402P-2-2 ..... 28      | WH1264 ..... 335       | WW55G ..... 481        |
| TL94916 ..... 519 | TRA2297-SP ..... 209   | V402P-4-4 ..... 28      | WH1370 ..... 335       | X128 ..... 347         |
| TL94924 ..... 518 | TRA2493-SP ..... 209   | V402P-6-6 ..... 28      | WH1371-A ..... 335     | X213X96..... 370       |
| TL94925 ..... 518 | TRA2705..... 209       | V405P..... 129          | WH15 ..... 335         | X213X96..... 414       |
| TL94926 ..... 464 | TRA3343..... 209       | V405P-6-6 ..... 28      | WH2376-87 ..... 335    | X395X120 ..... 347     |
| TL94926 ..... 518 | TRA3384..... 208       | V405P-6-8 ..... 28      | WH2376-93H..... 335    | X6120X110..... 407     |
| TL94931 ..... 519 | TRA3603-SP ..... 208   | V405P-8-8 ..... 28      | WH2376-96..... 335     | X6136X110..... 407     |
| TL94932 ..... 519 | TRA696 ..... 209       | V76 SERIES..... 77      | WH242 SERIES..... 334  | X6138X120..... 414     |
| TL94940 ..... 518 | TRA697 ..... 208       | V77 SERIES..... 77      | WH2523 ..... 335       | X6148X120..... 414     |
| TL94964 ..... 542 | TRA699 ..... 208       | V88 SERIES..... 77      | WH2524 ..... 335       | X6152X108..... 414     |
| TL94992 ..... 518 | TRR7000C-AH..... 354   | VCCTX10..... 51         | WH2528 ..... 335       | X6316X112..... 413     |
| TL94993 ..... 519 | TS10..... 591          | VF1224T ..... 369       | WH2547 ..... 335       | XA-0756 ..... 580      |
| TL96904 ..... 516 | TS15..... 591          | VF1224T ..... 411       | WH2548 ..... 335       | XA-10287 ..... 585     |
| TL96919 ..... 516 | TS21 ..... 591         | VHP-4515TQ ..... 76     | WH2804 ..... 335       | XA-201-A-L-P ..... 570 |
| TL96930 ..... 518 | TS31 ..... 591         | VHP-4707TQ ..... 76     | WH2915 ..... 335       | XA-2524-R MODELS.. 575 |
| TL97005 ..... 552 | TS41 ..... 591         | VS1128..... 273         | WH2996 ..... 335       | XA-351-03505S..... 571 |
| TL97100 ..... 553 | UBL-001..... 274       | VS1414..... 273         | WH2996-3 ..... 335     | XA-351-A-L-P ..... 569 |
| TL97101 ..... 553 | UBL-002..... 274       | VS14179 ..... 273       | WH3228 ..... 335       | XA-351-UB..... 571     |
| TL97231 ..... 506 | UBL-004..... 274       | VS1968..... 273         | WH33 ..... 335         | XA-7001 ..... 578      |
| TL97232 ..... 506 | U-CC5998-1 ..... 242   | VS1968-Z1..... 273      | WH342 SERIES..... 334  | XA-7002 ..... 578      |
| TL97809 ..... 601 | UCD0511-1-693..... 208 | VS22535 ..... 274       | WH343 SERIES..... 334  | XA-7003 ..... 578      |
| TL97827 ..... 601 | U-CE7746-1 ..... 241   | VS227 ..... 274         | WH345 SERIES..... 334  | XA-7009 ..... 578      |
| TL97829 ..... 600 | U-CE8801-1 ..... 242   | VS228 ..... 274         | WH4077 ..... 335       | XA-A24..... 577        |
| TL97940 ..... 553 | U-CF1466-1 ..... 241   | VS25223 ..... 273       | WH5423 ..... 335       | XA-B24X..... 577       |
| TL97943 ..... 553 | U-CF2467-1 ..... 241   | VS25224 ..... 273       | WH6943 ..... 335       | XA-S1-A-L-P..... 574   |
| TL97944 ..... 553 | U-CF2470-1 ..... 241   | VS26815 ..... 273       | WH6944 ..... 335       | XA-V-350..... 312      |
| TL97948 ..... 553 | U-CF2640-1 ..... 242   | VS26816 ..... 273       | WH7470 ..... 335       | XB-0011..... 579       |
| TL97960 ..... 364 | U-CF2640-4..... 242    | VS27116 ..... 273       | WH7515 ..... 335       | XB-0011-1..... 579     |
| TL97960 ..... 466 | U-CF5858-1 ..... 241   | VS28048 ..... 274       | WH77 ..... 335         | XB-0011-2..... 579     |
| TL97962 ..... 364 | U-CF6703-901 ..... 241 | VS-29003-1..... 179     | WH77-1 ..... 335       | XB-0012-1..... 579     |



## Part Number Index

|                   |     |
|-------------------|-----|
| XB-0012-3.....    | 579 |
| XB-0437.....      | 585 |
| XB-1604-5.....    | 579 |
| XB-1604-9.....    | 579 |
| XB-LG0085.....    | 315 |
| XB-SP0074-K.....  | 211 |
| XB-SP0074-M.....  | 211 |
| XD-5275.....      | 586 |
| XD-5315.....      | 586 |
| XK20014702QP..... | 74  |
| XK20014707QP..... | 74  |
| XK20014711QP..... | 74  |
| XK2124515Q.....   | 74  |
| XK2124702QP.....  | 74  |
| XK2124707QP.....  | 74  |
| XK3121443E.....   | 74  |
| XK3124702QP.....  | 74  |
| XK3124707QP.....  | 74  |
| XK3124709E2.....  | 74  |
| XP100301.....     | 53  |
| XSMA20014707QP..  | 74  |



Over 40 years of dedicated service.

|  |  |  |  |
|--|--|--|--|
|  |  |  |  |
|  |  |  |  |
|  |  |  |  |
|  |  |  |  |
|  |  |  |  |

|                                    |  |  |   |                                       |
|------------------------------------|--|--|---|---------------------------------------|
| <b>ABEX</b>                        | Friction                                 |  | <b>KIDDE</b>                                | Fire Safety                           |
| <b>ACCURIDE</b>                    | Wheels/Rims                              |  | <b>KINEDYNE</b>                             | Cargo Control Products                |
| <b>AMERICAN FORGE</b>              | Shop Equipment                           |  | <b>LABELMASTER</b>                          | Placards                              |
| <b>ANCO</b>                        | Wiper Blades                             |  | <b>LACLEDE</b>                              | Tire Chains, Transport Chain          |
| <b>BALDWIN</b>                     | Filters                                  |  | <b>LEECE/NEVILLE</b>                        | Alternators                           |
| <b>BENDIX</b>                      | Air Brake Parts, Compressors             |  | <b>LUCAS OIL</b>                            | Petroleum Additives and Oils          |
| <b>BETTS SPRING</b>                | Mud Flap Holders                         |  | <b>MANUS</b>                                | Caulkings & Sealants                  |
| <b>BETTS INDUSTRIES</b>            | Lights, Sealed Systems                   |  | <b>MERITOR</b>                              | Axles, Axle Parts, Q-Plus Brakes      |
| <b>BREEZE</b>                      | Hose Clamps                              |  |   | Automatic Slack Adjusters, Front End  |
| <b>BRUSH SOLUTIONS</b>             | TrailerSkirting                          |  | <b>MGM</b>                                  | Spring Brakes                         |
| <b>CONTINENTAL</b>                 | Belts, Hose, Idlers                      |  | <b>MONROE</b>                               | Shock Absorbers                       |
| <b>CONTITECH</b>                   | Air Springs                              |  | <b>MYSTIK</b>                               | Lubricants                            |
| <b>CYCLO</b>                       | Aerosol Chemicals                        |  | <b>OPTRONICS</b>                            | Lighting Products                     |
| <b>DELCO REMY</b>                  | Alternators & Starters                   |  | <b>PARKER</b>                               | Fittings & Hoses                      |
| <b>DENSO</b>                       | Starters & Alternators                   |  | <b>PENRAY</b>                               | Coolant System Conditioners           |
| <b>DEXTER AXLE</b>                 | Axle & Suspension                        |  |   | & Fuel Treatments                     |
| <b>DURABILTY</b>                   | Binders                                  |  | <b>PETERSON</b>                             | Lighting Products                     |
| <b>EUCLID</b>                      | Brake Foundation Parts                   |  | <b>PHILLIPS</b>                             | Wire & Cable, Plugs & Receptacles     |
| <b>FEDERAL MOGUL</b>               | Powertrain, Braking                      |  | <b>POLLACK</b>                              | Electrical Products                   |
|                                    | Wheel Seals                              |  | <b>POWER SERVICE</b>                        | Fuel Treatment                        |
| <b>FLEET ENGINEERS</b>             | Flaps, Hangers, Fenders                  |  | <b>PRECO</b>                                | Back-up Alarms, Strobes               |
| <b>FIRESTONE</b>                   | Air Springs                              |  | <b>REYCO-GRANNING</b>                       | Suspensions & Sliders                 |
| <b>FLEETCRAFT</b>                  | Door Hardware, BrakeParts                |  | <b>RIDEWELL</b>                             | Air Suspensions                       |
|                                    | Landing Gear, Wheel Parts, Electrical    |  | <b>ROYAL ADHESIVES &amp; SEALANTS, LLC.</b> | Adhesives, Sealants                   |
| <b>FLEXIBLE PRODUCTS / DOW</b>     | Friction, Nylon Tubing, Bearings         |  | <b>SEALCO</b>                               | Air Controls                          |
| <b>FONTAINE</b>                    | Stationary & Air Slide 5th Wheels        |  | <b>SEYMOUR PAINT</b>                        | Spray Paint                           |
| <b>G.E. LIGHTING</b>               | Sealed Beams                             |  | <b>SKF (CR)</b>                             | Wheel Seals, Hub Caps                 |
|                                    | Halogen Lamps, Mini Bulbs                |  | <b>SPICER/DANA</b>                          | Axles, AxleParts                      |
| <b>GEOCEL CORP.</b>                | Adhesive Sealants                        |  |   | U-Joints, Clutches                    |
| <b>GOJO</b>                        | Hand Cleaners                            |  | <b>STAR HEADLIGHT</b>                       | Strobe Lights                         |
| <b>GROTE</b>                       | Lighting & Mirrors                       |  | <b>STEMCO</b>                               | Friction, Hubos, Wheel Seals          |
| <b>GUNITE</b>                      | Automatic Slack Adjusters                |  |   | Bearings, Drums, Hub Caps, Suspension |
| <b>HALDEX</b>                      | Air Brake Parts                          |  | <b>TARGET-TECH</b>                          | Strobes, Back-Up Alarms               |
|                                    | Compressors, Air Dryers, Electrical      |  | <b>TEKONSHA</b>                             | Electric Trailer Brake Control        |
| <b>HAMMERBLOW</b>                  | Light Duty Trailer Parts                 |  | <b>TIMKEN</b>                               | Bearings                              |
| <b>HENDRICKSON</b>                 | Truck & Trailer Suspension               |  | <b>TODCO</b>                                | Roll-up Doors, Door Parts             |
|                                    | Axles                                    |  | <b>TRAILER BODY PARTS</b>                   | Side Rails, Posts                     |
| <b>HOLLAND/SAF HOLLAND/SIMPLEX</b> | Fifth Wheels, Susp., King Pins, Coupling |  |   | Roof Bows, Plastic Scuff              |
|                                    | Trailer Support Legs                     |  | <b>TRAILER FLOORING</b>                     | Laminated, Apitong                    |
| <b>HORTON</b>                      | Fan Clutches                             |  | <b>TRUCK-LITE</b>                           | Lighting Products                     |
| <b>HUTCHENS</b>                    | Suspensions, Sliders                     |  | <b>VEEDER-ROOT</b>                          | Hubodometers                          |
| <b>JOST</b>                        | King Pins, Landing Gear, 5th Wheels      |  | <b>VELVAC</b>                               | Truck Products                        |
| <b>KEMLITE</b>                     | Translucent Roof, Scuff Liner            |  | <b>WALKER</b>                               | Heavy Duty Exhaust                    |
| <b>KEY POLYMER</b>                 | Trailer Floor Treatments                 |  | <b>WHITING</b>                              | Roll-Up Doors, Parts                  |
| <b>KIC</b>                         | Hubs and Drums                           |  | <b>WEBB</b>                                 | Hubs & Drums                          |
|                                    |  |  | <b>ZERO START</b>                           | Engine Heaters                        |

Part No. 1010100 \$20



ATLANTA, GA • CHICAGO, IL • DALLAS, TX • GRAND RAPIDS, MI  
 FARGO, ND • MILWAUKEE, WI • MINNEAPOLIS, MN

[www.newlifeparts.com](http://www.newlifeparts.com)