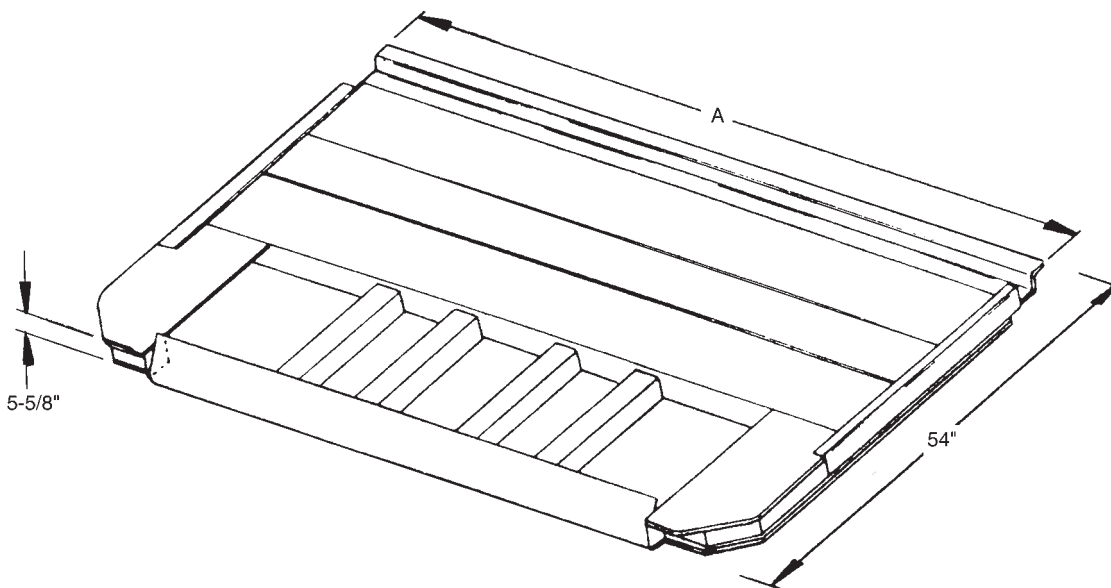




Couplers and Hitches

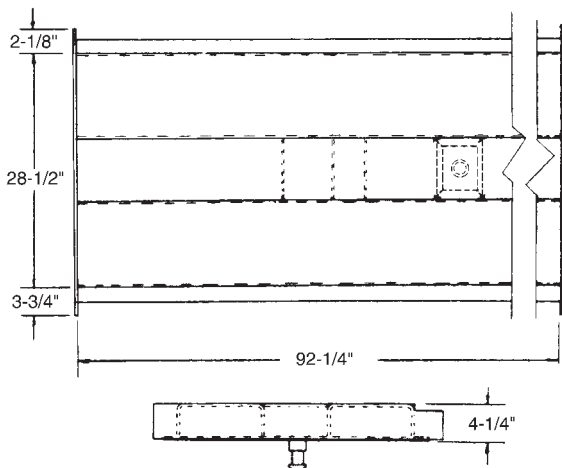
UPPER COUPLERS	6-1
KING PINS	6-2
KING PIN LOCKS	6-2
PINTLE HOOKS & EYES	6-3
MISCELLANEOUS	6-4



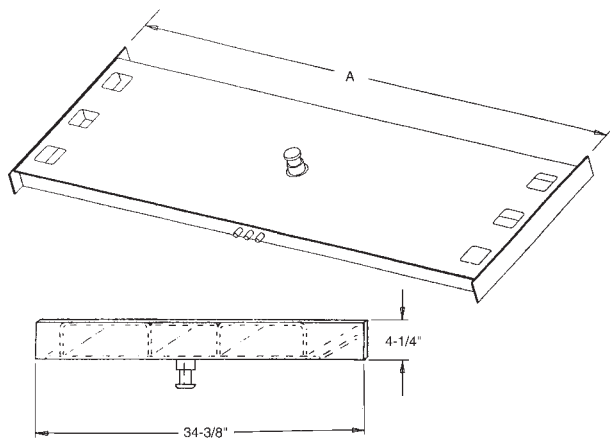
“O” Model Basic Coupler

36" King Pin Location

Part No.	Dimension A	Trailer Width
2-0-365-36	94-1/4"	96"
2-0-365-36-1	100-1/4"	102"



“A” & “D” Model Rear Section 2-A51-86A-1

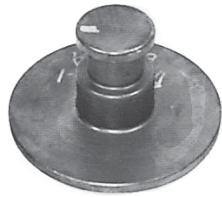


Fits most makes
of trailers

Universal Coupler Assemblies

Part No.	Dimension A	Trailer Width
700-2-8	95-1/4"	96"
700-2-8-1	101-1/4"	102"

King Pins



8" Round King Pin

700-2-1

Unpolished;
Designed for 3/8"
Bottom Plate



Double Spool King Pin

700-2-2

Used with 1/4" and 5/16"
Bottom Plates



Fruehauf Style King Pin

700-2-4

Used with 1/4" and 5/16"
Bottom Plates

Trailmobile Rectangular King Pins

2-52-40

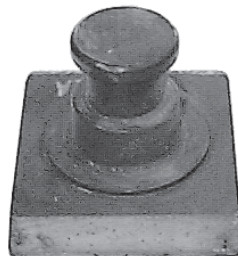
For 1/4" Bottom Plate

2-52-41A

For 3/8" Bottom Plate

2-52-42A

For 5/16" Bottom Plate



King Pin Locks



700-99-206

Call For Key Numbers



700-99-362

Call for Key Numbers

700-99-14-100

700-99-14-101

700-99-14-105

700-99-14-107

700-99-14-111

700-99-14-123

700-99-14-124

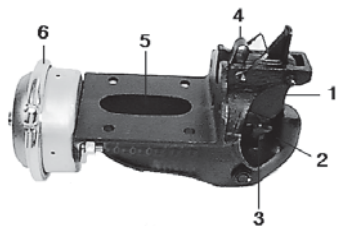
700-99-14-155

Other Key Numbers Available



Trailmobile Design Rear Hitch

Repair Parts for this Hitch



15-0-25

Item	Part No.	Description
1	15-7-10	Latch
2	15-A27-1	Plunger Spoon Assembly
3	15-8-16	Pin Spoon, 3/4" x 3-5/8"
4	15-3-9	Spring Latch
5	15-8-15	Extension - Chamber Rod
6	17-37-36	Air Chamber



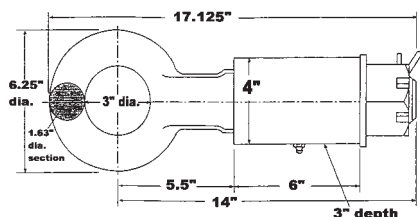
**Trailmobile Standard
Pintle Hook
Crossmember
700-16-1**



Holland Pintle Hook
HL-PH200-1
90,000 lb Maximum G.T.W.



**Plunger &
Air Chamber
for PH200-1**
HL-XA-10198



Drawbar Eye
HL-DB-610-30
3" I.D.

Drawbar Eyes



20-1-22
2-3/8" I.D.



20-1-28
2-3/8" I.D.



20-1-26
2-3/8" I.D.



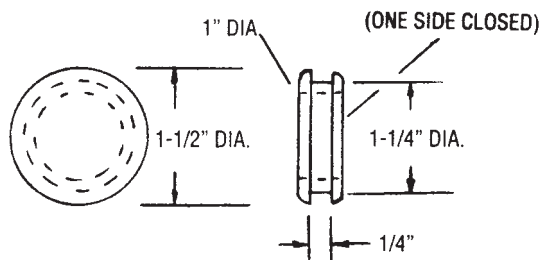
Drawbar Bolt
15-8-10

Miscellaneous

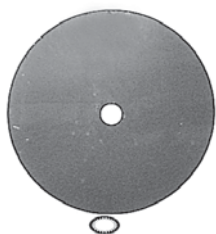


- Quick and Easy to Apply
- No Mess, No Drip, No Waste
- Slik-Pak is a heavy duty grease compounded with molybdenum disulfide and graphite, sealed in a thin walled plastic envelope. Simply place the envelope on the fifth wheel base plate to apply - then hook up the trailer.

700-99-304



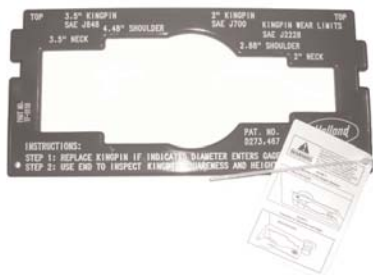
Fifth Wheel Grommet
50-14-125



**Fifth Wheel Slick Disk
with Ring**
BP-SD-003



**Replacement
Slick Disk Ring**
BP-SD-002



King Pin Gauge
HL-TF-0110