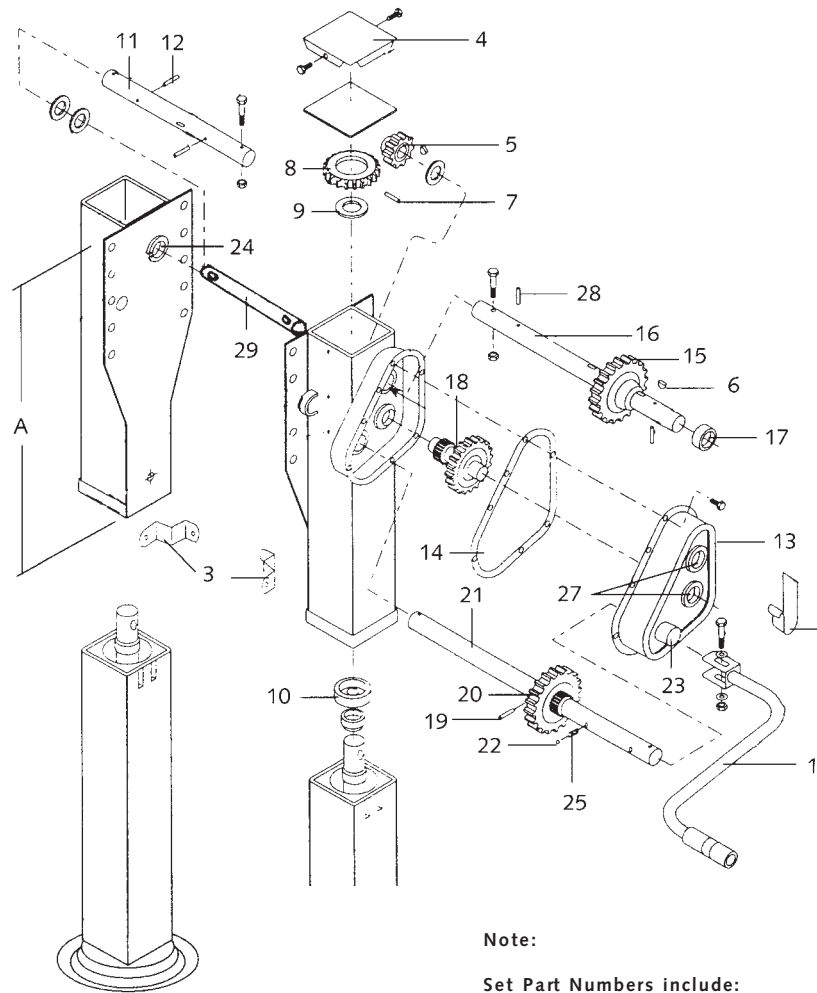




Landing Gear and Components

HOLLAND BINKLEY LANDING GEAR	5-1 TO 5-6
BUTLER LANDING GEAR	5-7 TO 5-8
HOLLAND LANDING GEAR	5-9 TO 5-10
JOST LANDING GEAR	5-11 TO 5-14
AUSTIN-WESTRAN LANDING GEAR	5-15 TO 5-22
MOUNTING BRACKETS	5-23 TO 5-27
BRACING	5-27 TO 5-30
SAND SHOES	5-31 TO 5-33
CRANK HANDLES	5-34
MISCELLANEOUS	5-35
LANDING GEAR PART NUMBER CROSS REFERENCE	5-36 TO 5-39



Note:

Set Part Numbers include:

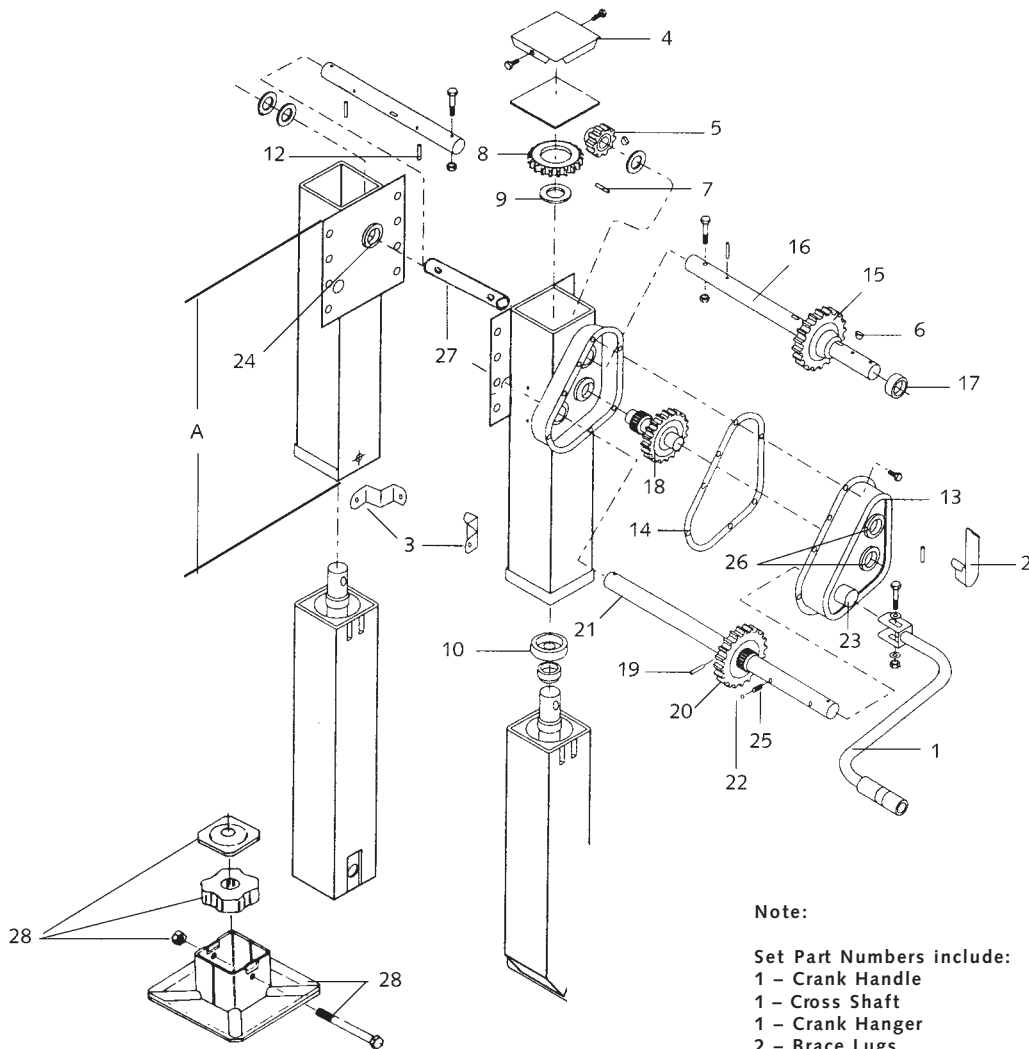
- 1 - Crank Handle
- 1 - Cross Shaft
- 1 - Crank Hanger
- 2 - Brace Lugs

BINKLEY 50,000 CHALLENGER MODEL Universal Mounting

Set Part No.	Gear Box Leg Part No.	Non Gear Box Leg Part No.	Travel	Dimension A	Footware
BK-4-A5-380S	BK-4-A5-381GB	BK-4-A5-382NGB	19"	30-1/2"	4-1/2" x 10" x 12" Tilt Shoe
BK-700-4-342S	BK-700-4-343GB	BK-700-4-344NGB	17"	28"	10" Diameter Shock Foot
BK-700-4-349S	BK-700-4-350GB	BK-700-4-351NGB	13-1/2"	25-1/2"	4-1/2" x 10" x 10" Sand Shoe
BK-700-4-179S	BK-700-4-180GB	BK-700-4-181NGB	17"	28"	4-1/2" x 10" x 10" Sand Shoe
BK-700-4-416S	BK-700-4-417GB	BK-700-4-418NGB	19"	30-1/2"	10" Diameter Removable Cushion Foot

BINKLEY 50,000 CHALLENGER MODEL

Item No.	Part No.	Description
1	BK-LG0083-01	Crank Handle
2	BK-LG0085	Crank Hanger
3	BK-LG0266	Brace Lug
4	BK-LG0264	Cover
5	BK-LG0531-02	Pinion Gear
6	BK-PP0018-02	Woodruff Key
7	BK-PP0052-21	Groove Pin 3/8" x 2"
8	BK-LG0570-01	Bevel Gear
9	BK-PP0016-62	Washer
10	BK-PP0013-77	Thrust Bearing
11	BK-LG0259	Jack Shaft L.H. Universal Mount
12	BK-PP0014-27	Roll Pin 1/4" x 1-1/2"
13	BK-LG0663	Gear Box Cover
14	BK-LG0428	Gasket
15	BK-LG0543-01	Output Gear
16	BK-LG0260	Jack Shaft R.H. Universal Mount
17	BK-LG0219-01	Spacer Bushing
18	BK-LG0542-01	Idler Gear
19	BK-PP0014-07	Groove Pin 1/4" x 1-1/2"
20	BK-LG0541-01	Input Gear
21	BK-LG0261-01	Shift Shaft Universal Mount
	BK-LG0371-01	Shift Shaft I-Beam Mount
22	BK-XB-BAL-023-07	Shift Lock Ball
23	BK-LG0658-01	Bushing
24	BK-XB-LG0219-02	Bushing
25	BK-XB-SPG-020-36	Shift Lock Spring
27	BK-LG0659-01	Bushing
28	BK-PP0014-27	Roll Pin 1/4" x 1-1/2"
29	BK-LG0094-6650	Cross Shaft 66-1/2"

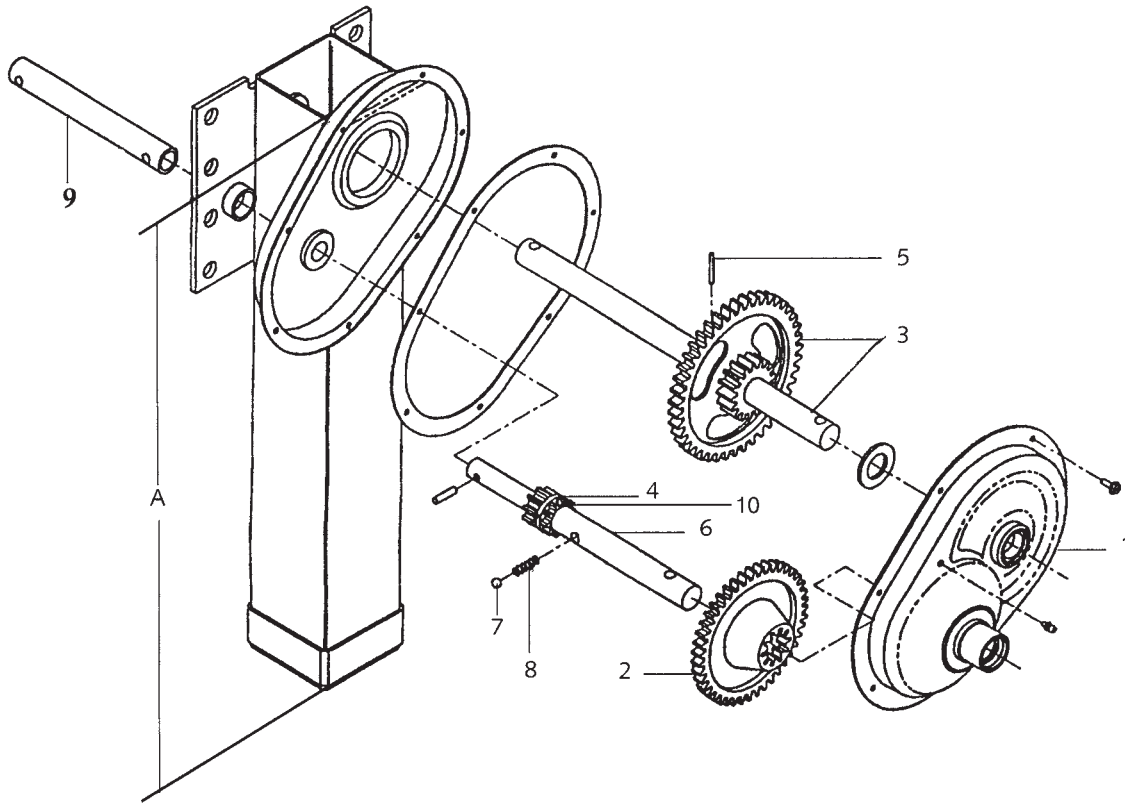


BINKLEY 51,000 CONTENDER MODEL Universal Mounting

Set Part No.	Gear Box Leg Part No.	Non Gear Box Leg Part No.	Travel	Dimension A	Footware
BK-700-4-272S	BK-700-4-273GB	BK-700-4-274NGB	17"	28"	4-1/2" x 10" x 12" Tilt Shoe
BK-700-4-345S	BK-700-4-346GB	BK-700-4-347NGB	17"	30"	10" x 10" Removable Cushion Foot
BK-700-4-369S	BK-700-4-370GB	BK-700-4-371NGB	17"	28"	10" x 10" Removable Cushion Foot Minimum Retract Length
BK-700-4-425S	BK-700-4-426GB	BK-700-4-427NGB	19"	30"	2" x 10" x 10" Sand Shoe
BK-700-4-485S	BK-700-4-486GB	BK-700-4-487NGB	17"	28"	2" x 10" x 10" Sand Shoe

BINKLEY 51,000 CONTENDER MODEL

Item No.	Part No.	Description
1	BK-LG0083-01	Crank Handle
2	BK-LG0085	Crank Hanger
3	BK-LG0266	Brace Lug
4	BK-LG0880	Cover
5	BK-LG1823-01	Pinion Gear
6	BK-PP0018-02	Woodruff Key
7	BK-PP0052-21	Groove Pin 3/8" x 2"
8	BK-LG0570-01	Bevel Gear
9	BK-PP0016-62	Washer
10	BK-PP0013-77	Thrust Bearing
12	BK-PP0014-27	Roll Pin 1/4" x 1-1/2"
13	BK-LG0663	Gear Box Cover
14	BK-LG0428	Gasket
15	BK-LG0543-01	Output Gear
16	BK-LG0928	Jack Shaft R.H. Universal Mount
17	BK-LG0219-01	Spacer Bushing
18	BK-LG0542-01	Idler Gear
19	BK-PP0014-07	Groove Pin 1/4" x 1-1/2"
20	BK-LG0541-01	Input Gear
21	BK-LG0261-01	Shift Shaft Universal Mount
22	BK-XB-BAL-023-07	Shift Lock Ball
23	BK-LG0658-01	Bushing
24	BK-XB-LG0219-02	Bushing
25	BK-XB-SPG-020-36	Shift Lock Spring
26	BK-LG0659-01	Bushing
27	BK-LG0094-6650	Cross Shaft 66-1/2"
28	BK-LG0048-01	Removable Cushion Foot Assembly



Note:

Set Part Numbers include:

- 1 - Crank Handle
- 1 - Cross Shaft
- 1 - Crank Hanger
- 2 - Brace Lugs

BINKLEY FG4000 FAST GEAR MODEL Universal Mounting

Set Part No.	Gear Box Leg Part No.	Non Gear Box Leg Part No.	Travel	Dimension A	Footware
BK-700-4-413S	BK-700-4-414GB	BK-700-4-415NGB	17"	30"	10" x 10" Removable Cushion Foot
BK-700-4-478S	BK-700-4-479GB	BK-700-4-480NGB	17"	28"	10" x 10" Removable Cushion Foot Minimum Retract Length
BK-700-4-495S	BK-700-4-496GB	BK-700-4-497NGB	17"	30"	2" x 10" x 10" Sand Shoe

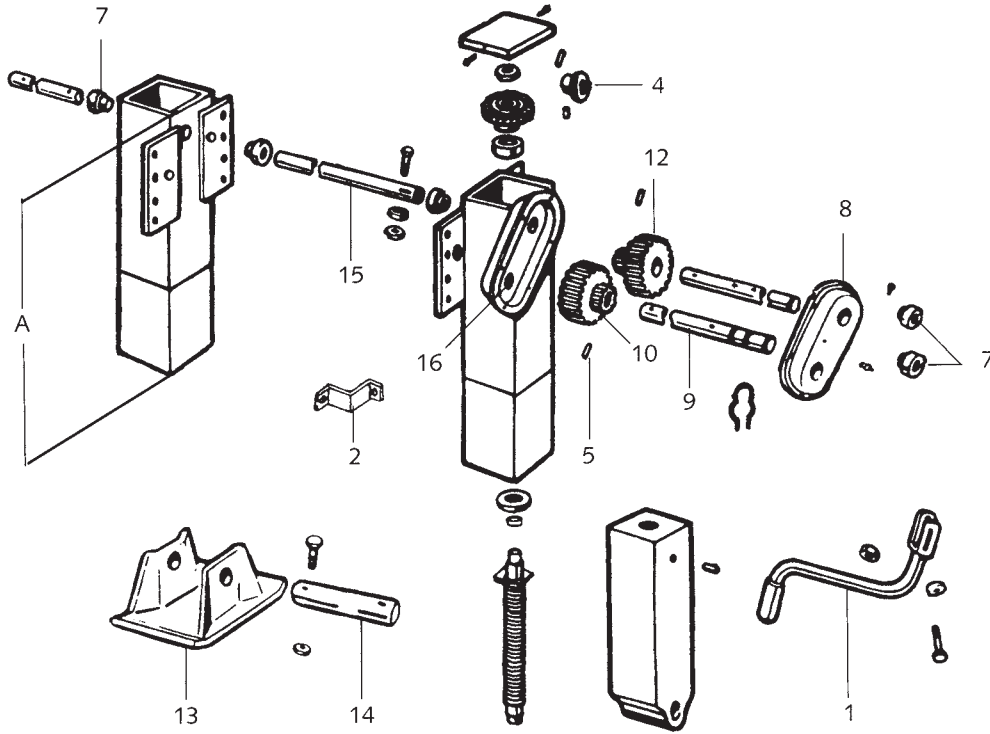
BINKLEY FG4000 FAST GEAR MODEL

Item No.	Part No.	Description
1	BK-LG0944-10	Gear Box Cover
2	BK-LG0934	Input Gear
3	BK-LG2242-01	Output Gear Kit
4	BK-LG0933-01	Input Gear - Low
5	BK-PP0052-21	Groove Pin 3/8" x 2"
6	BK-LG0910	Shift Shaft
7	BK-XB-BAL-023-07	Shift Lock Ball
8	BK-XB-SPG-020-36	Shift Lock Spring
9	BK-LG0932	Extension Shaft
10	BK-GP-052-11	Drive Pin .250" x 1"

Note:

For more parts information on the FG4000 Landing Gear, please refer to the 51,000 Contender parts breakdown on pages 5-3 and 5-4

Butler Landing Gear



Note:

- Set Part Numbers include:
 1 - Crank Handle
 1 - Cross Shaft
 2 - Brace Lugs

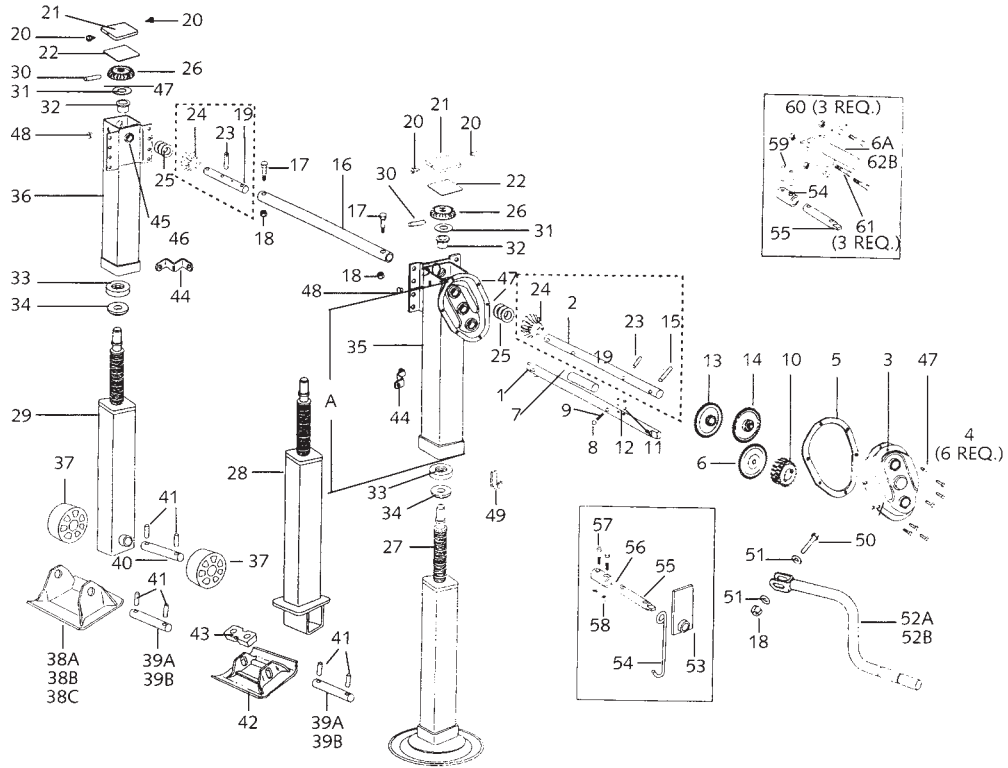
BUTLER 26110 VOYAGER MODEL Universal Mounting

Set Part No.	Gear Box Leg Part No.	Non Gear Box Leg Part No.	Travel	Dimension A	Footware
BP-700-4-364S	BP-700-4-365GB	BP-700-4-366NGB	16-1/2"	26-3/4"	4-1/2" x 10" x 12" Sand Shoe

BUTLER 26110 VOYAGER MODEL

Item No.	Part No.	Description
1	BP-20-99029	Crank Handle
2	BP-20-20503	Brace Lug
4	BP-10-50058	Pinion Gear
5	BP-10-80126	Groove Pin 1/4" x 1-1/4"
7	BP-10-70020	Bushing
8	BP-20-40500	Gear Box Cover
9	BP-20-60500	Crank Shaft Universal Mounting
10	BP-10-50046	Crank Shaft Gear
12	BP-10-50053	Cross Shaft Gear
13	BP-20-110101	Sand Shoe
14	BP-20-10501	Sand Shoe Axle
15	BP-20-60001	Cross Shaft 59-3/4"
16	BP-10-70501	Flange Bearing

Holland Landing Gear



Note:

- Set Part Numbers include:
 1 - Crank Handle
 1 - Cross Shaft
 1 - Crank Hanger
 2 - Brace Lugs

**HOLLAND MARK V MODEL
 Universal Mounting
 Manufactured after May 1994**

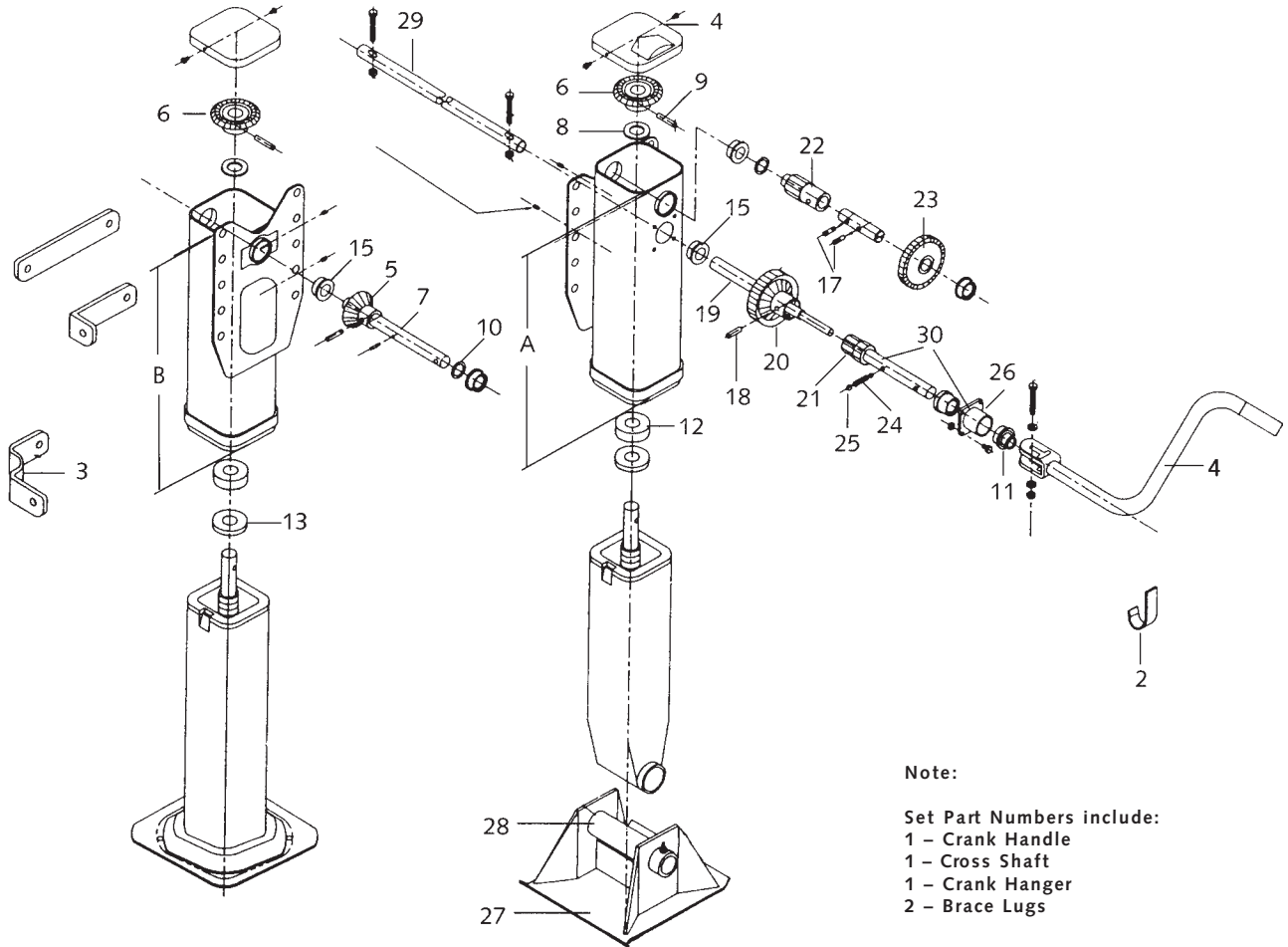
Set Part No.	Gear Box Leg Part No.	Non Gear Box Leg Part No.	Travel	Dimension A	Footware
HL-700-4-378S	HL-700-4-379GB	HL-700-4-380NGB	16-1/2"	28"	12" Diameter Self-Leveler
HL-700-4-381S	HL-700-4-382GB	HL-700-4-383NGB	16-1/2"	28"	4-1/2" x 12" x 11-1/2" Sand Shoe
HL-700-4-384S	HL-700-4-385GB	HL-700-4-386NGB	17-1/2"	29-1/4"	12" Diameter Self-Leveler
HL-700-4-387S	HL-700-4-388GB	HL-700-4-389NGB	17-1/2"	29-1/4"	4-1/2" x 12" x 11-1/2" Sand Shoe

HOLLAND MARK V MODEL

No.	Part No.	2-Speed Side	Single-Speed Side	Description
1	XA-V-06625-A	1		Crank Shaft
2	XA-V-06624-A	1		Drive Gear Shaft
3	XA-V-06618	1		Gearbox Cover
4	XB-06372	8		Thread Rolling Screw
5	XB-V-06621	1		Gearbox Gasket
6	XA-V-06602	1		Idler Gear
7	XA-V-07085	1		Idler Gear Shaft
8	XB-BAL-023-01	1		Ball
9	XB-SPG-020-02	1		Spring
10	XA-V-06604-1	1		Shifter Gear
11	XA-CRP-V-06633	1		Pin, .25" x 1.44"
12	XB-21-S-218-1500	1		Spring Pin, .22" x 1.25"
13	XA-V-06606	1		Spur Gear
14	XA-V-06603	1		Step Gear
15	XA-CRP-V-06634	1		Pin, .38" x 1.5"
16	XA-V-1910		1	Cross Shaft (specify frame width, mounting style, model no.)
17	XB-V-444-1	1	1	HHCS, 3/8" -16 x 1.75"
18	XB-338	2	1	Locknut, 3/8" -16
19	XA-V-06623-A		1	Bevel Gear Shaft (Single-Speed)
20	XB-06372	2	2	Thread Rolling Screw
21	XA-V-06611	1	1	Upper Leg Cover
22	XB-V-07054	1	1	Gasket
23	XB-GP-38-1-12-E	1	1	Groove Pin
24	XA-V-06600	1	1	Bevel Pinion Gear
25	XB-01977	2	2	Shim (as required)
26	XA-V-06601	1	1	Bevel Gear
27	XA-V-06628-010-1 through -515-1	1	1	Inner Leg & Screw Assembly (01 Series)
28	XA-V-06628-020-2 through -514-2	1	1	Inner Leg & Screw Assembly (14 Series)
29	XA-V-06628-000-0 through -505-0	1	1	Inner Leg & Screw Assembly (05, 13, or 15 Series)
30	XA-CRP-V-06635	1	1	Pin, .38" x 2"
31	XB-V-06632	1	1	Washer
32	XB-V-06630	1	1	Bushing
33	XB-V-647	1	1	Thrust Bearing
34	XA-V-06629	1	1	Collar
35	XA-V-07133-0 through -5	1		2-Speed Upper Leg
36	XA-V-07132-0 through -5		1	Single-Speed Upper Leg
37	XB-V-747	2	2	Wheel

No.	Part No.	2-Speed Side	Single-Speed Side	Description
38A	XA-V-796-B-1	1	1	Skid Foot (05 Series) 4.9" x 12" x 11.5"
38B	XA-V-796-L	1	1	Low Profile Skid Foot (13 Series) 2.5" x 12" x 11.5"
38C	XA-V-796-WS	1	1	Weight Saver Skid Foot (15 Series) 3" x 10" x 11.5"
39A	XA-V-1901-1	1	1	Standard Axle
39B	XA-V-1903-1	1	1	Solid Axle
40	XA-V-1901-2	1	1	Axle (03 Series)
41	XB-21-S-375-3000	2	2	Rollpin .38" x 3"
42	XA-04681	1	1	Cushion Skid Foot (14 Series)
43	XB-04676	1	1	Rubber Cushion
44	XA-V-1938	1	1	Brace Lug
45	XA-LG0559	1	2	Bearing
46	XB-LG1570	1	2	Retainer
47	XB-767	3	2	Lube Fitting
48	XB-01789	1	1	Plastic Plug
49	XA-V-1914	1		Crank Hanger
50	XB-C-38-C-214	1		HHCS, 3/8" -16 x 2.25"
51	XB-1108	2		3/8" SAE Washer
52A	XA-V-90-0	1		Crank
52B	XA-V-90-2	1		Extra Long Crank (Optional)
53	XA-V-971	1		Crank Shaft Bracket (Optional)
54	XB-V-1915	1		Crank Hanger (Optional)
55	XA-V-1916	1		Extension Shaft - Long (Optional)
55	XA-V-1916-1	1		Extension Shaft - Short (Optional)
56	XA-V-630-2	1		Crank Shaft Coupling (Optional)
57	XB-V-444-1	2		HHCS, 3/8" -16 x 1.75" (Optional)
58	XB-338	2		Locknut, 3/8" -16 (Optional)
59	XB-GP-38-138-5	2		Groove Pin 3/8" x 1.38" (Optional)
60	XB-3103	3		Locknut 1/4" -28 (Optional)
61	XB-07618	3		HHCS, 1/4" -28 x 2.5" (Optional)
62A	XA-V-07601-1	1		Extension Bracket - Long (Optional)
62B	XA-V-07601-2	1		Extension Bracket - Short (Optional)

Jost Landing Gear



Note:

- Set Part Numbers include:
 1 - Crank Handle
 1 - Cross Shaft
 1 - Crank Hanger
 2 - Brace Lugs

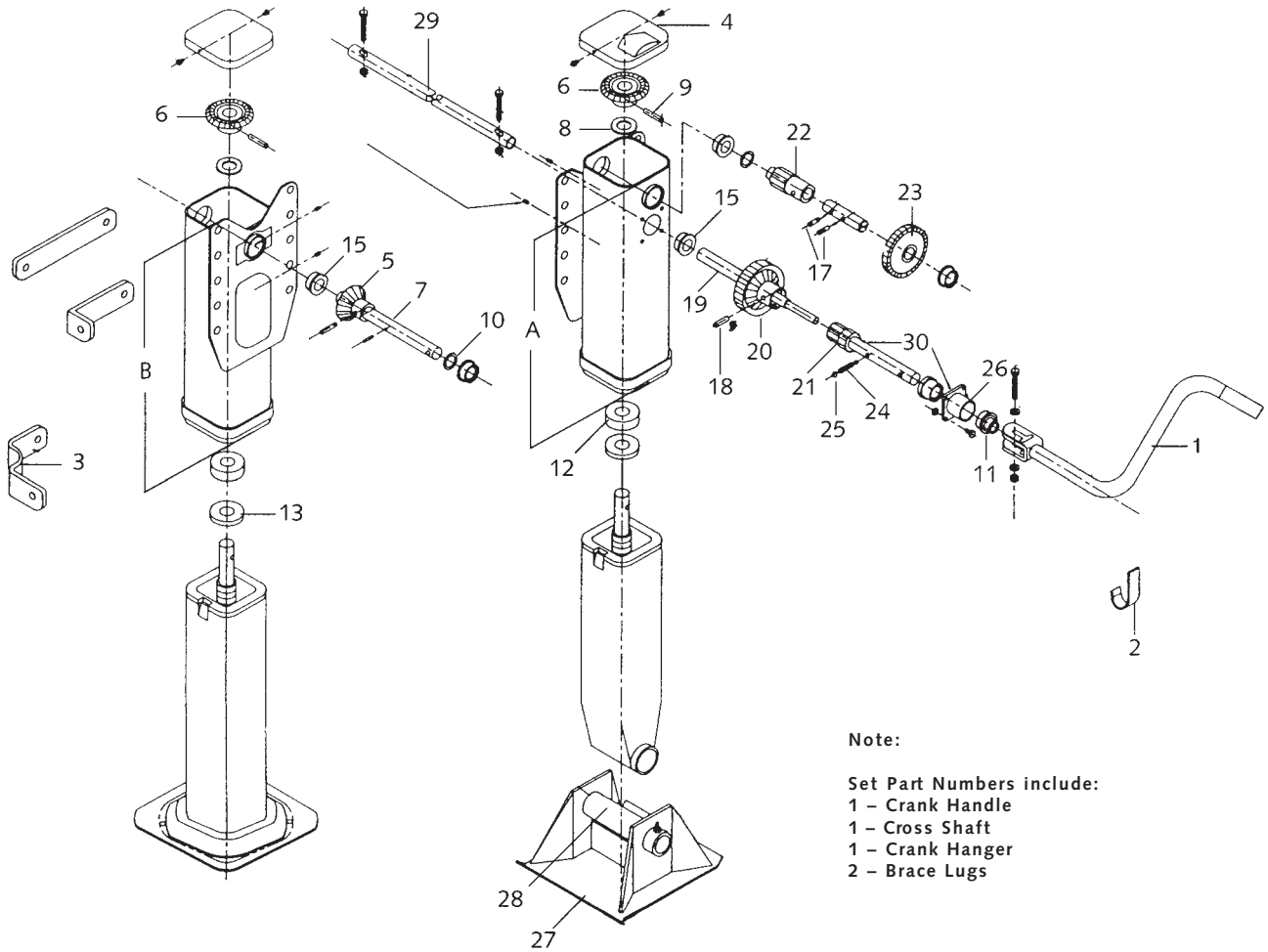
JOST A400 MODEL Outside Mount

Set Part No.	Gear Box Leg Part No.	Non Gear Box Leg Part No.	Travel	Dimension A	Dimension B	Footware
JO-700-4-390S	JO-700-4-391GB	JO-700-4-392NGB	17"	29-1/2"	26-3/4"	4-1/2" x 10" x 10" Sand Shoe
JO-700-4-402S	JO-700-4-403GB	JO-700-4-404NGB	17"	29-1/2"	26-3/4"	10" x 10" Cushion Foot
JO-700-4-443S	JO-700-4-444GB	JO-700-4-445NGB	19"	31-1/2"	28-3/4"	4-1/2" x 10" x 10" Sand Shoe
JO-700-4-498S	JO-700-4-499GB	JO-700-4-500NGB	19"	31-1/2"	28-3/4"	10" x 10" Cushion Foot

JOST A400 MODEL

Item No.	Part No.	Description
1	JO-C10592.2	Crank Handle
2	JO-B10261	Crank Hanger
3	JO-C10108	Brace Lug W
4	JO-C10217	Cover - Gear Box
5	JO-C10177	Pinion Gear
6	JO-C10155	Bevel Gear
7	JO-B10130	Pinion Shaft
11	JO-A10283	Grease Seal
15	JO-A10255	Bushing
17	JO-A10260.1	Spiral Pin 5/16" x 1-1/2"
18	JO-A10054.7	Roll Pin 3/8" x 1-3/4"
19	JO-B10236	Output Cluster Shaft
20	JO-C10234	Output Cluster Gear
21	JO-C10233	Input Gear Shaft
22	JO-C10078	Output Spur Gear
23	JO-C10085	Input Spur Gear
24	JO-A10049	Detent Spring
25	JO-A10048	Detent Ball
26	JO-B10229	Shift Housing
27	JO-C10035	Sand Shoe 4-1/2" x 10" x 10"
28	JO-B10036	Sand Shoe Axle
29	JO-B10066.77.4	Cross Shaft 68-1/2"
30	JO-B10285	Shifter Housing Assembly

Jost Landing Gear



Note:

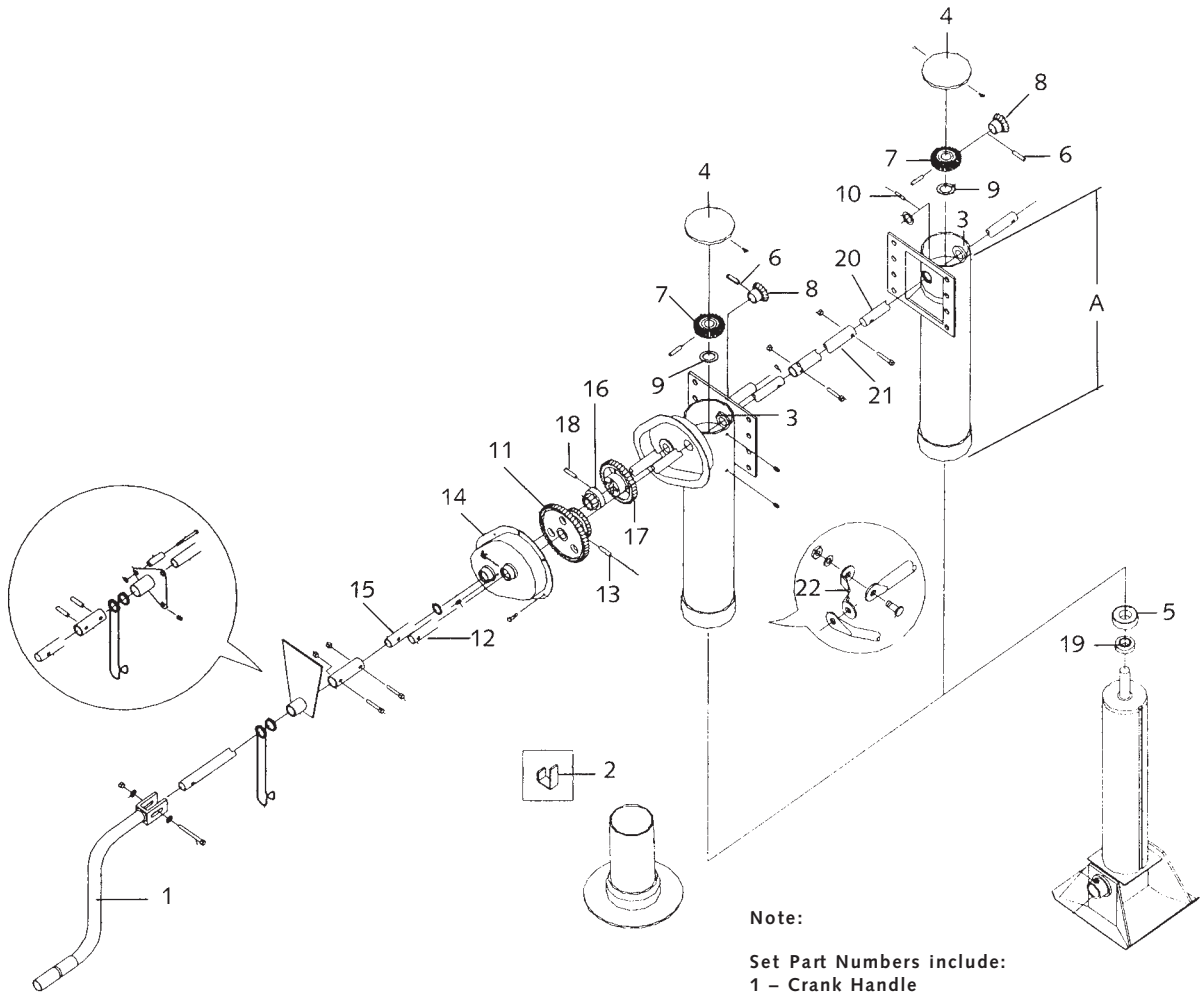
- Set Part Numbers include:
 1 - Crank Handle
 1 - Cross Shaft
 1 - Crank Hanger
 2 - Brace Lugs

JOST A401 MODEL Inside Mount

Set Part No.	Gear Box Leg Part No.	Non Gear Box Leg Part No.	Travel	Dimension A	Dimension B	Footware
JO-700-4-393S	JO-700-4-394GB	JO-700-4-395NGB	17"	29-1/2"	26-3/4"	4-1/2" x 10" x 10" Sand Shoe
JO-700-4-410S	JO-700-4-411GB	JO-700-4-412NGB	17"	29-1/2"	26-3/4"	10" x 10" Cushion Foot

JOST A401 MODEL

Item No.	Part No.	Description
1	JO-C10592.2	Crank Handle
2	JO-B10261	Crank Hanger
3	JO-C10108	Brace Lug W
4	JO-C10217	Cover - Gear Box
5	JO-C10177	Pinion Gear
6	JO-C10155	Bevel Gear
7	JO-B10130	Pinion Shaft
11	JO-A10283	Grease Seal
15	JO-A10255	Bushing
17	JO-A10260.1	Spiral Pin 5/16" x 1-1/2"
18	JO-A10054.7	Roll Pin 3/8" x 1-3/4"
19	JO-B10236	Output Cluster Shaft
20	JO-C10234	Output Cluster Gear
21	JO-C10233	Input Gear Shaft
22	JO-C10078	Output Spur Gear
23	JO-C10085	Input Spur Gear
24	JO-A10049	Detent Spring
25	JO-A10048	Detent Ball
26	JO-B10229	Shift Housing
27	JO-C10035	Sand Shoe 4-1/2" x 10" x 10"
28	JO-B10036	Sand Shoe Axle
29	JO-B10066.77.4	Cross Shaft 68-1/2"
30	JO-B10285	Shifter Housing Assembly



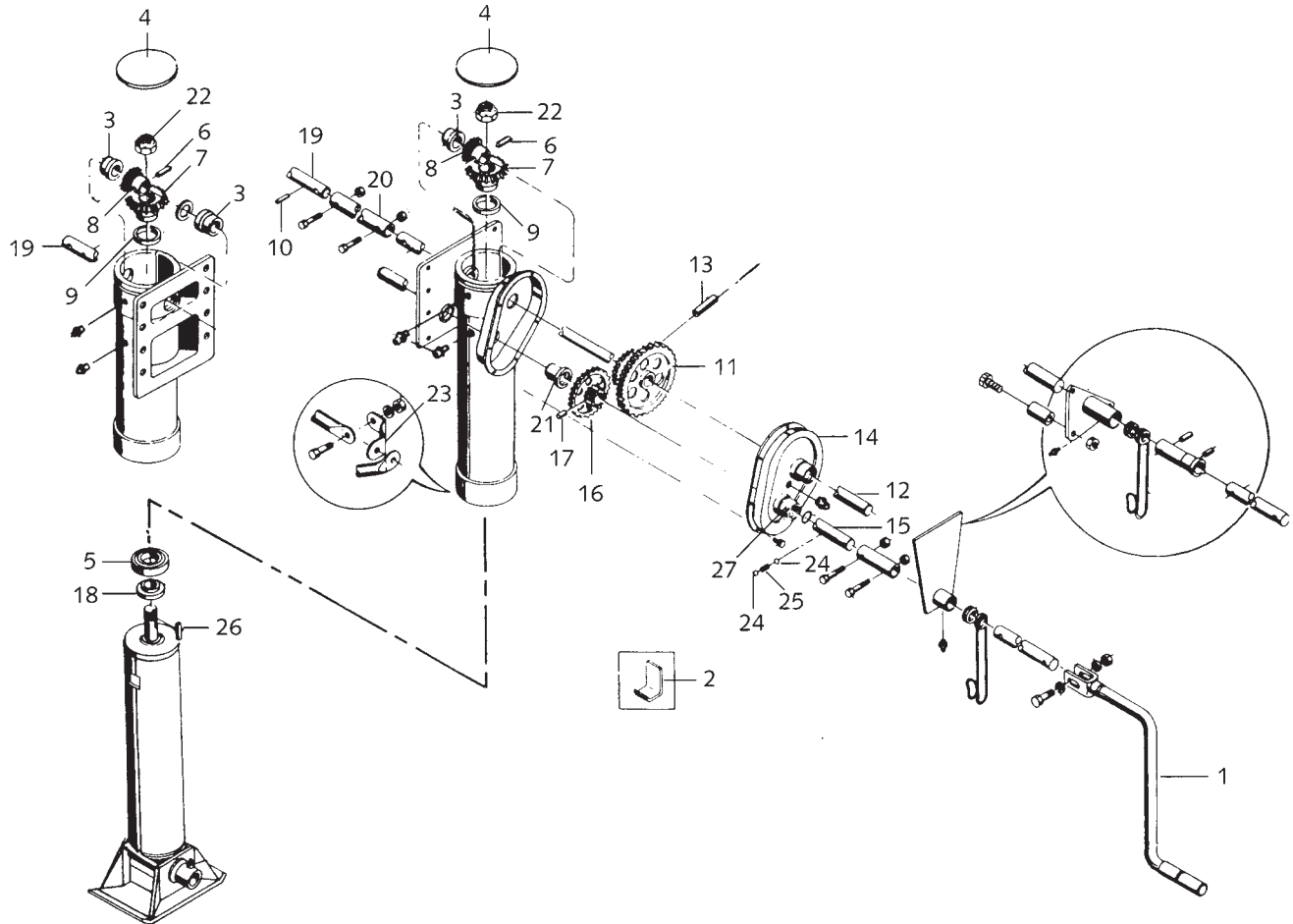
Note:
 Set Part Numbers include:
 1 - Crank Handle
 1 - Cross Shaft
 1 - Crank Hanger
 2 - Brace Lugs

AUSTIN-WESTRAN CMR MODEL Universal Mounting

Set Part No.	Gear Box Leg Part No.	Non Gear Box Leg Part No.	Travel	Dimension A	Footware
KW-700-4-358S	KW-700-4-359GB	KW-700-4-360NGB	16-7/8"	31"	10" Diameter Cushion Foot
KW-700-4-361S	KW-700-4-362GB	KW-700-4-363NGB	16-7/8"	27-1/2"	4-1/2" x 10" x 11-1/4" Sand Shoe
KW-700-4-454S	KW-700-4-455GB	KW-700-4-456NGB	16-7/8"	27-1/2"	2" x 10" x 10" Sand Shoe
KW-700-4-509S	KW-700-4-510GB	KW-700-4-511NGB	14-1/8"	28-1/4"	10" Diameter Cushion Foot

AUSTIN-WESTRAN CMR MODEL

Item No.	Part No.	Description	Austin-Westran No.
1	KW-J-27-BX-3	Crank Handle	730113
2	KW-J-7153	Crank Hanger	750812
3	---	Bushing	724036
4	KW-751601	Cover	751601
5	TK-T127	Thrust Bearing	729005
6	KW-1453-A40	Roll Pin 3/8" x 1-3/8"	725002
7	---	Bevel Gear	730590
8	KW-J-5311-1	Pinion Gear	730011
9	---	Washer	722017
10	KW-1453-A1	Roll Pin 1/4" x 1-1/4"	725001
11	KW-J-5309	Gear	750009
12	KW-6948-1	Pinion Shaft	750002
13	KW-1453-A5	Roll Pin 3/8" x 1-1/2"	725003
14	KW-741158	Gear Box Cover	741158
15	KW-751175	Crank Shaft	751175
16	KW-751173	Gear - Low Speed	751173
17	KW-751174	Gear - High Speed	751174
18	---	Groove Pin 5/16" x 1-1/2"	725046
19	KW-J-4928-1	Collar	730007
20	KW-6956-1	Pinion Shaft	750004
21	KW-6884-70	Cross Shaft 66-7/8"	---
22	KW-J-4154	Brace Lug	730005

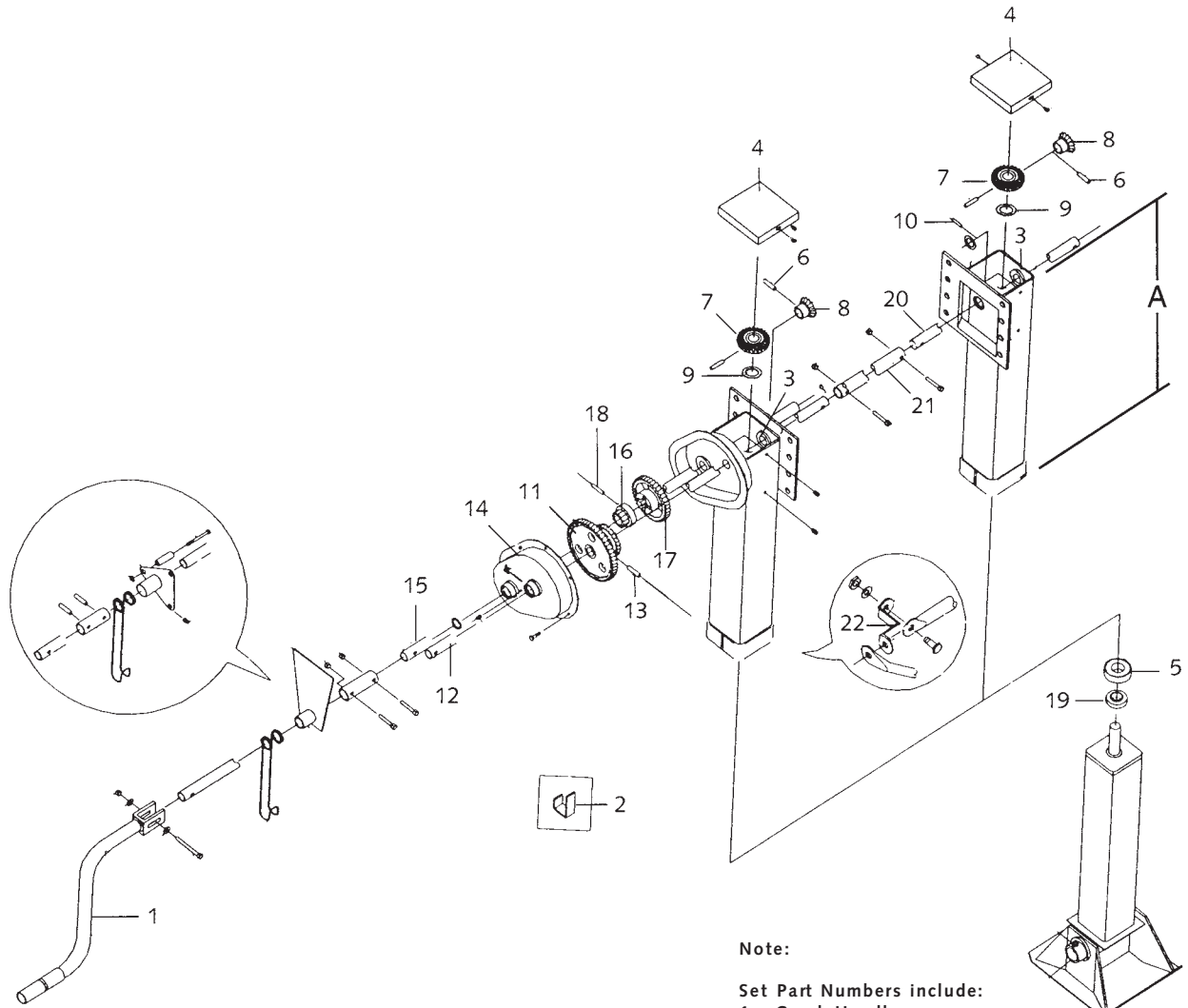


**AUSTIN-WESTRAN LPR MODEL
Universal Mounting
Manufactured before May 1996**

Note: Use CMR Model Parts Breakdown for LPR Models manufactured after May 1996	
Except:	
Omit: KW-75173 Low Speed Gear	Add: KW-J-5310-1 Gear
Omit: KW-75174 High Speed Gear	Add: KW-6943-2 Crank Shaft
Omit: KW-75175 Crank Shaft	Add: KW-9366-3 Gear Box Cover
Omit: KW-741158 Gear Box Cover	Add: KW-6365-1 Detent Spring
Omit: 725046 Groove Pin	Add: KW-1050-A1 Detent Ball
	Add: KW-1453-A61 Roll Pin

AUSTIN-WESTRAN LPR MODEL

Item No.	Part No.	Description	Austin-Westran No.
1	KW-J-27-BX-3	Crank Handle	730113
2	KW-J-7153	Crank Hanger	750812
3	KW-8994	Bushing	724003
4	KW-8984	Cover	750109
5	TK-T127	Thrust Bearing	729005
6	KW-1453-A40	Roll Pin 3/8" x 1-3/8"	725002
7	KW-J-5312-1	Bevel Gear	750355
8	KW-J-5311-1	Pinion Gear	730011
9	KW-J-5313	Bushing	724000
10	KW-1453-A1	Roll Pin 1/4" x 1-1/4"	725001
11	KW-J-5309	Gear	750009
12	KW-6948-1	Pinion Shaft	750002
13	KW-1453-A5	Roll Pin 3/8" x 1-1/2"	725003
14	KW-9366-3	Gear Box Cover	740001
15	KW-6943-2	Crank Shaft	750003
16	KW-J-5310-1	Gear	750010
17	KW-1453-A61	Roll Pin 5/16" x 1-1/4"	725015
18	KW-J-4928-1	Collar	730007
19	KW-6956-1	Pinion Shaft	750004
20	KW-6884-70	Cross Shaft 66-7/8"	---
21	KW-6364-1	Bushing	724001
22	KW-1402-A7	Lock Nut 1"	723001
23	KW-J-4154	Brace Lug	730005
24	KW-1051-A1	Detent Ball	729001
25	KW-6365-1	Detent Spring	729000
26	KW-J-3237	Key 1/4" x 13/16"	729003
27	KW-6363-1	Bushing	724002



Note:

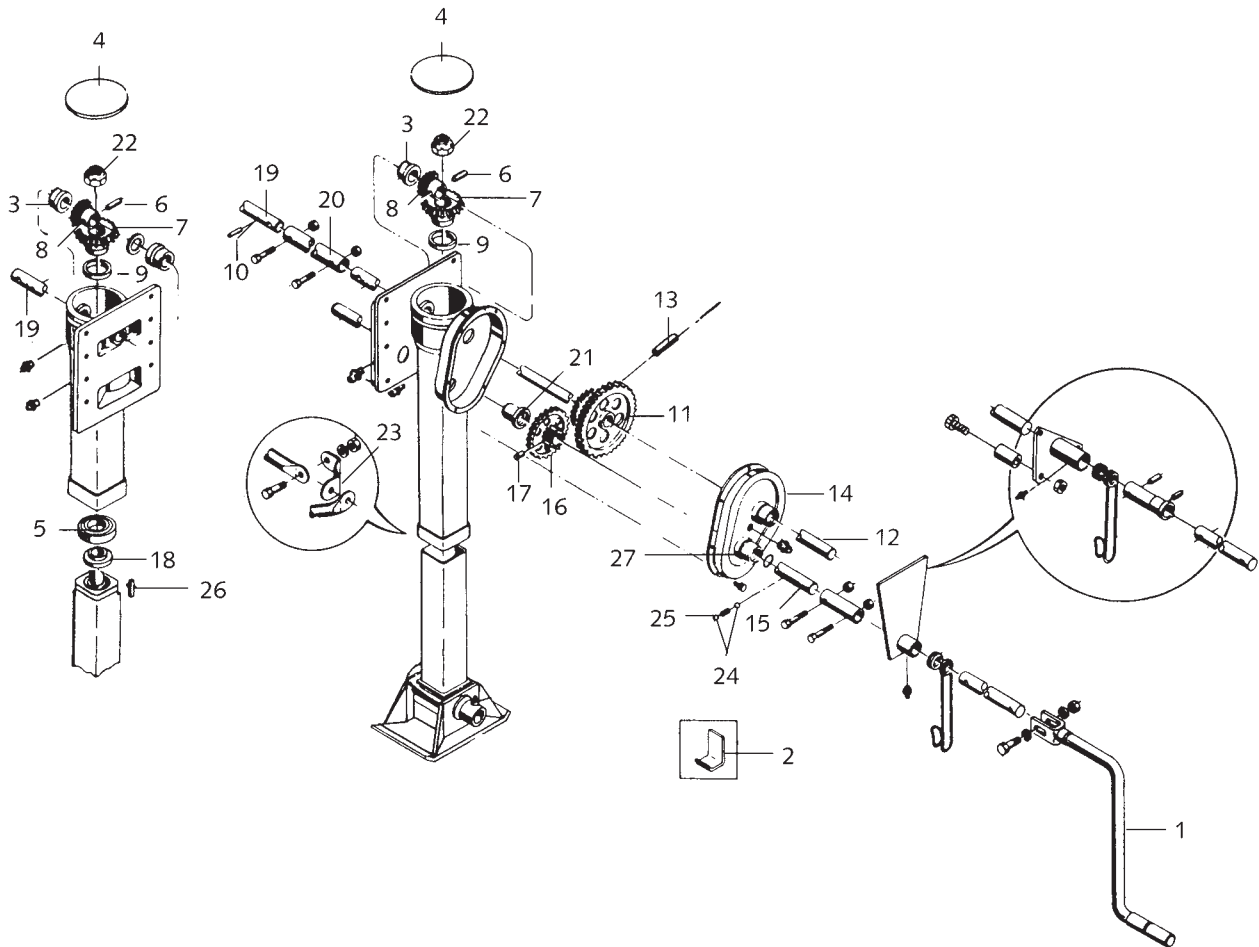
- Set Part Numbers include:
 1 - Crank Handle
 1 - Cross Shaft
 1 - Crank Hanger
 2 - Brace Lugs

AUSTIN-WESTRAN CMS MODEL Universal Mounting

Set Part No.	Gear Box Leg Part No.	Non Gear Box Leg Part No.	Travel	Dimension A	Footware
KW-700-4-372S	KW-700-4-373GB	KW-700-4-374NGB	16-1/2"	27-1/2"	4-1/2" x 10" x 11-1/4" Sand Shoe

AUSTIN-WESTRAN CMS MODEL

Item No.	Part No.	Description	Austin-Westran No.
1	KW-J-27-BX-3	Crank Handle	730113
2	KW-J-7153	Crank Hanger	750812
3	---	Bushing	724037
4	---	Cover	751569
5	TK-T127	Thrust Bearing	729005
6	KW-1453-A40	Roll Pin 3/8" x 1-3/8"	725002
7	---	Bevel Gear	730590
8	KW-J-5311-1	Pinion Gear	730011
9	---	Washer	722017
10	KW-1453-A1	Roll Pin 1/4" x 1-1/4"	725001
11	KW-J-5309	Gear	750009
12	KW-6948-1	Pinion Shaft	750002
13	KW-1453-A5	Roll Pin 3/8" x 1-1/2"	725003
14	KW-741158	Gear Box Cover	741158
15	KW-751175	Crank Shaft	751175
16	KW-751173	Gear - Low Speed	751173
17	KW-751174	Gear - High Speed	751174
18	---	Groove Pin 5/16" x 1-1/2"	725046
19	KW-J-4928-1	Collar	730007
20	KW-6956-1	Pinion Shaft	750004
21	KW-6884-70	Cross Shaft 66-7/8"	---
22	KW-J-4890	Brace Lug	730157



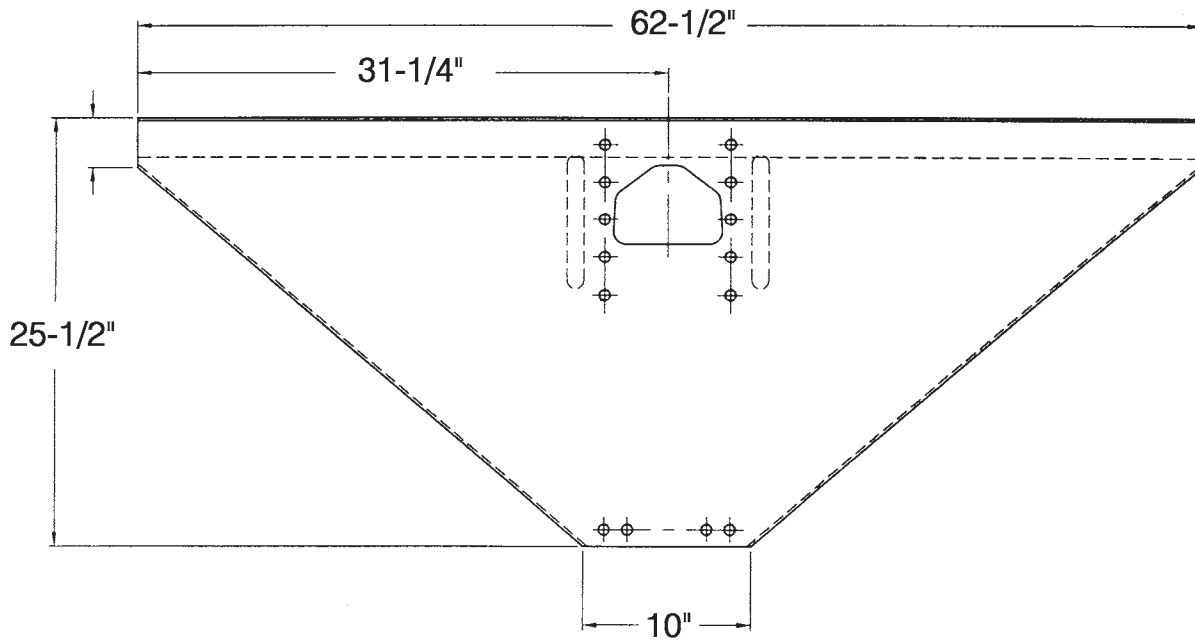
**AUSTIN-WESTRAN LPS MODEL
Universal Mounting
Manufactured before May 1996**

Note: Use CMS Model Parts Breakdown for LPS Models manufactured after May 1996	
Except:	
Omit: KW-75173 Low Speed Gear	Add: KW-J-5310-1 Gear
Omit: KW-75174 High Speed Gear	Add: KW-6943-2 Crank Shaft
Omit: KW-75175 Crank Shaft	Add: KW-9366-3 Gear Box Cover
Omit: KW-741158 Gear Box Cover	Add: KW-6365-1 Detent Spring
Omit: 725046 Groove Pin	Add: KW-1050-A1 Detent Ball
	Add: KW-1453-A61 Roll Pin

AUSTIN-WESTRAN LPS MODEL

Item No.	Part No.	Description	Austin-Westran No.
1	KW-J-27-BX-3	Crank Handle	730113
2	KW-J-7153	Crank Hanger	750812
3	KW-8994	Bushing	724003
4	KW-8984	Cover	750109
5	TK-T127	Thrust Bearing	729005
6	KW-1453-A40	Roll Pin 3/8" x 1-3/8"	725002
7	KW-J-5312-1	Bevel Gear	750355
8	KW-J-5311-1	Pinion Gear	730011
9	KW-J-5313	Bushing	724000
10	KW-1453-A1	Roll Pin 1/4" x 1-1/4"	725001
11	KW-J-5309	Gear	750009
12	KW-6948-1	Pinion Shaft	750002
13	KW-1453-A5	Roll Pin 3/8" x 1-1/2"	725003
14	KW-9366-3	Gear Box Cover	740001
15	KW-6943-2	Crank Shaft	750003
16	KW-J-5310-1	Gear	750010
17	KW-1453-A61	Roll Pin 5/16" x 1-1/4"	725015
18	KW-J-4928-1	Collar	730007
19	KW-6956-1	Pinion Shaft	750004
20	KW-6884-70	Cross Shaft 66-7/8"	---
21	KW-6364-1	Bushing	724001
22	KW-1402-A7	Lock Nut 1"	723001
23	KW-J-4890	Brace Lug	730157
24	KW-1051-A1	Detent Ball	729001
25	KW-6365-1	Detent Spring	729000
26	KW-J-3237	Key 1/4" x 13/16"	729003
27	KW-6363-1	Bushing	724002

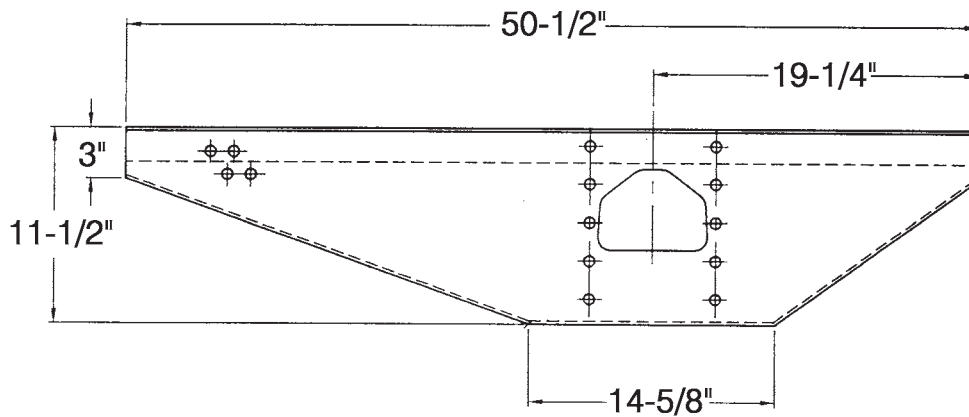
Mounting Brackets



Trailmobile Deep Mounting Bracket

4-A1-223

Generic 700-4-507



R.H. Shown

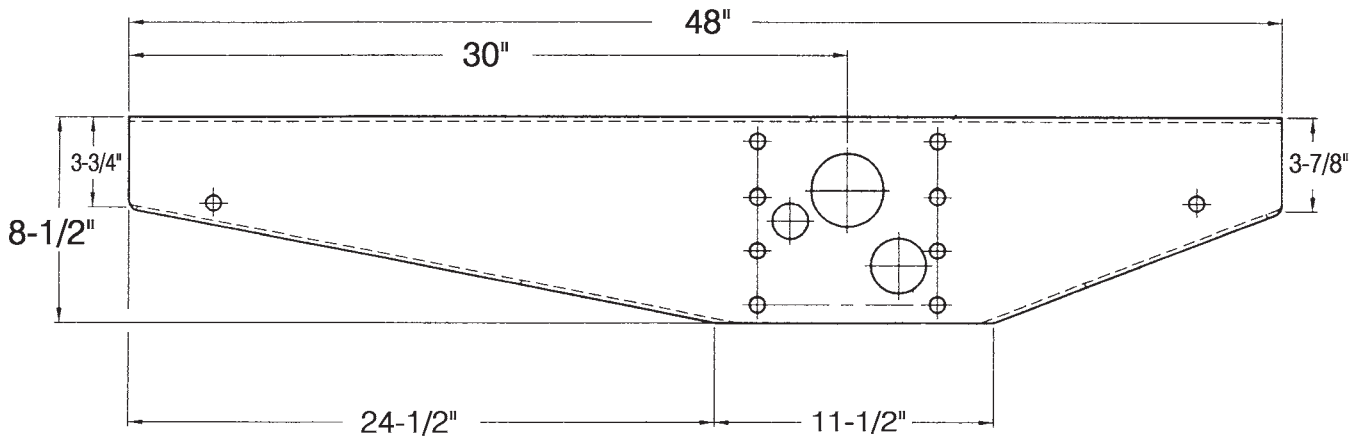
Trailmobile Shallow Mounting Brackets

4-A1-224L L.H.

Generic 700-4-508L

4-A1-224R R.H.

Generic 700-4-508R

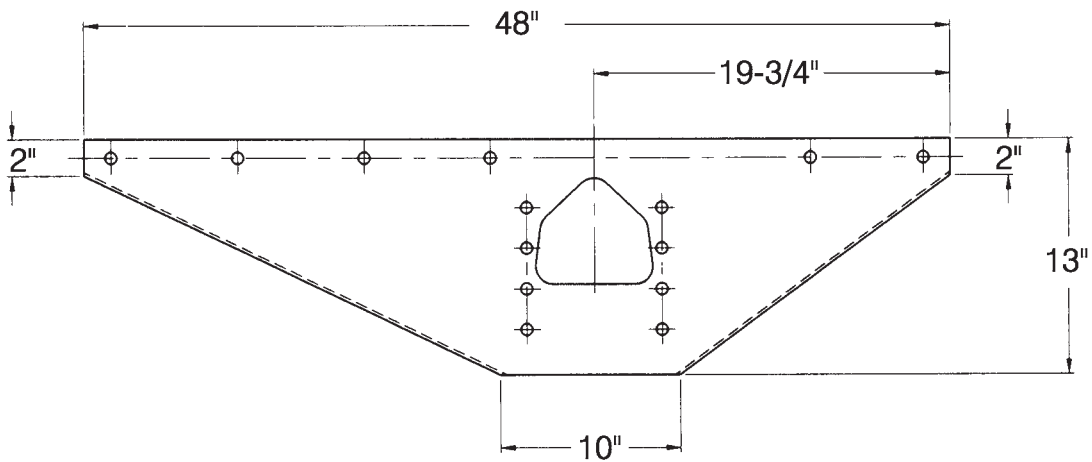


R.H. Shown

Wabash Style Mounting Brackets

700-4-420L L.H.
Replaces 13500047

700-4-420R R.H.
Replaces 13500048



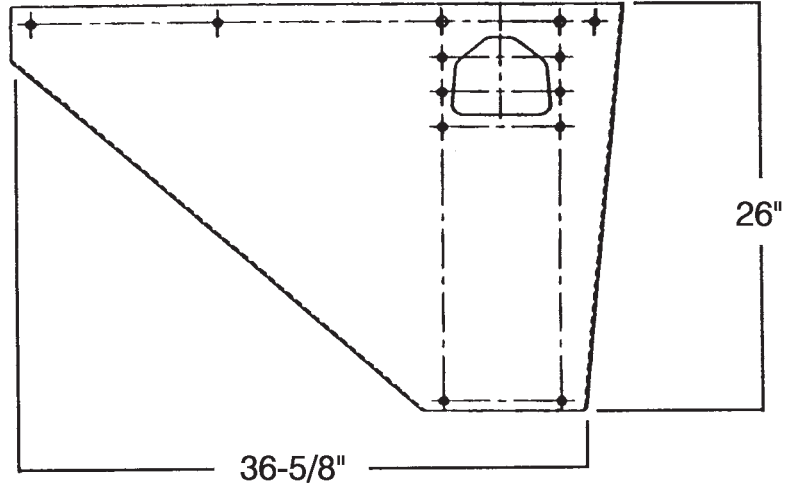
R.H. Shown

Great Dane Style Mounting Brackets

700-4-502L L.H.
Replaces 13647

700-4-502R R.H.
Replaces 13646

Mounting Brackets

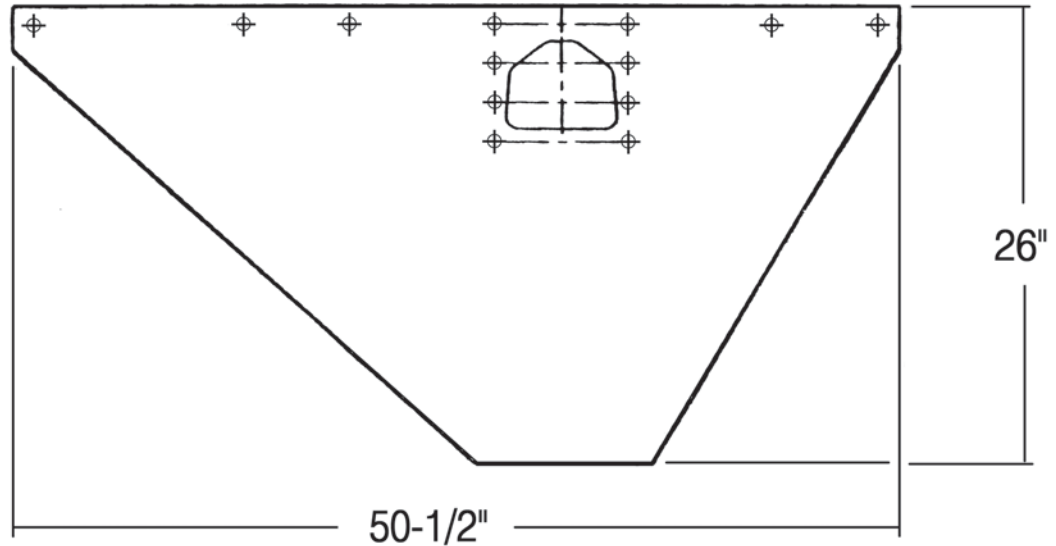


R.H. Shown

Pines Style Mounting Brackets

700-4-421L L.H.
Replaces LGB1314L

700-4-421R R.H.
Replaces LGB1314R

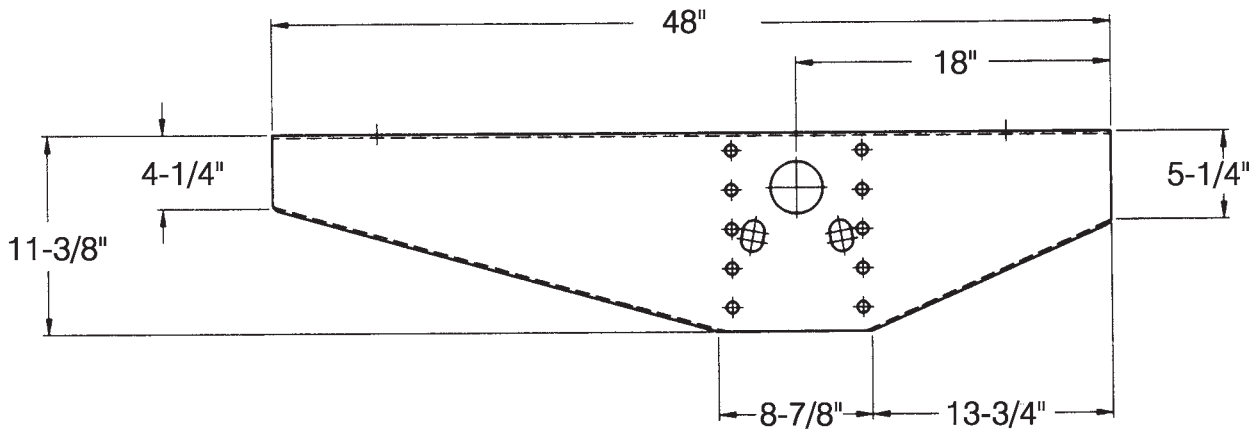


R.H. Shown

Pines Style Mounting Brackets

700-4-422L L.H.
Replaces LGB1315L

700-4-422R R.H.
Replaces LGB1315R

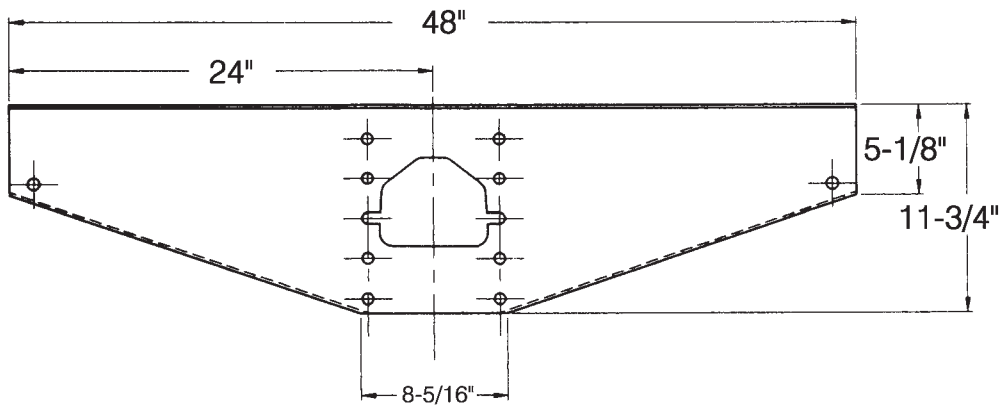


R.H. Shown

Monon Style Mounting Brackets

700-4-501L L.H.
Replaces V09-189A-RS

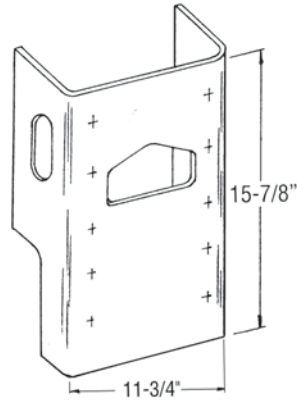
700-4-501R R.H.
Replaces V09-189B-RS



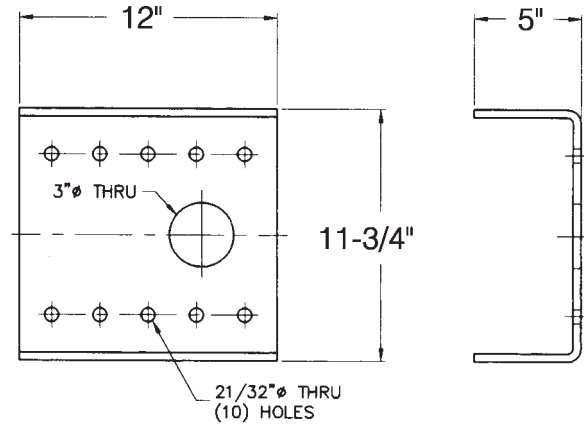
Miller Style Mounting Bracket

700-4-481
Universal left or right

Mounting Brackets

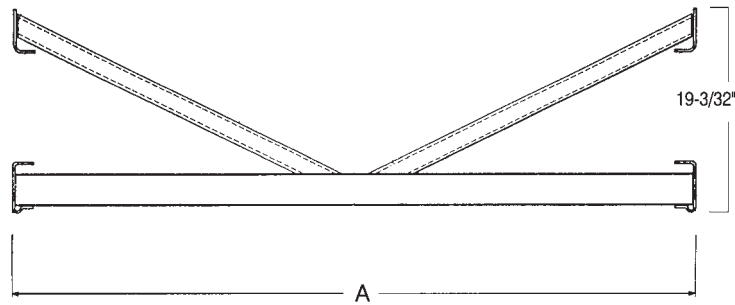


Trailmobile Flatbed Mounting Bracket
4-A1-264



ACL Style Flatbed Mounting Bracket
700-4-457
Replaces Penz 02-03

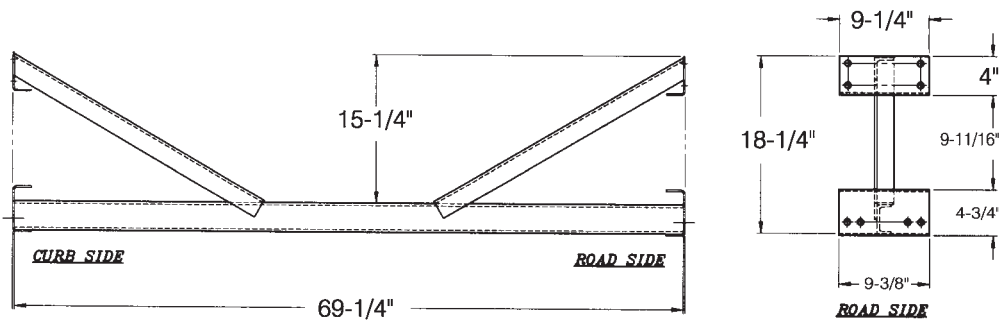
Bracing



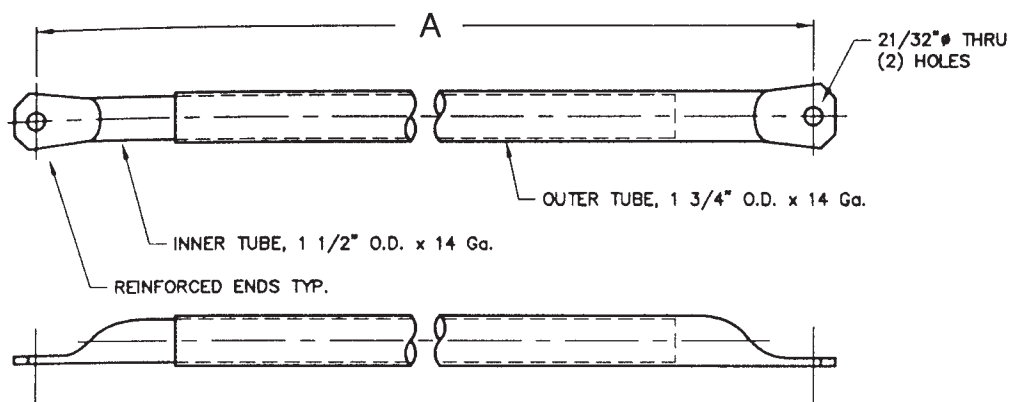
Trailmobile Prop Brace Assemblies

4-A8-9
A = 63-5/8"

4-A8-9-1
A = 69-5/8"



Universal K-Brace
700-4-503
For 102" Wide Trailers

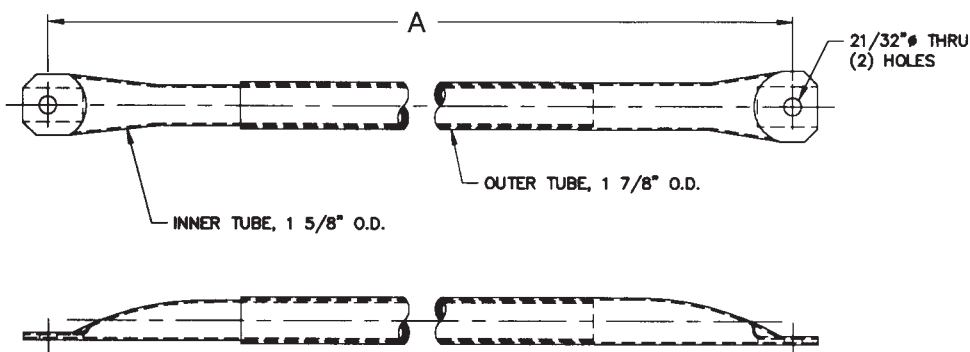


2-Piece Standard Duty Adjustable Braces

700-4-133
A = 26" to 41"

700-4-134
A = 42" to 57"

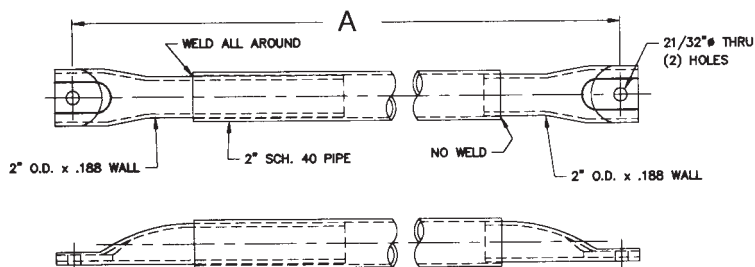
700-4-135
A = 56" to 72"



2-Piece Heavy Duty Adjustable Brace

PZ-04-40-56-72

A = 56" to 72"

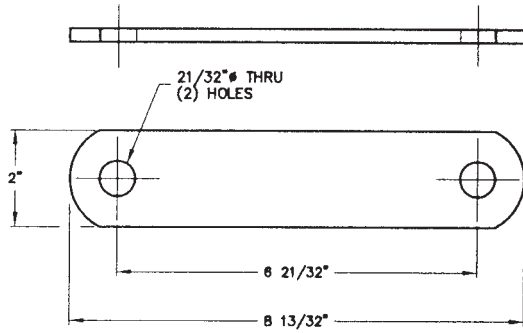


2-Piece Super Heavy Duty Adjustable Braces

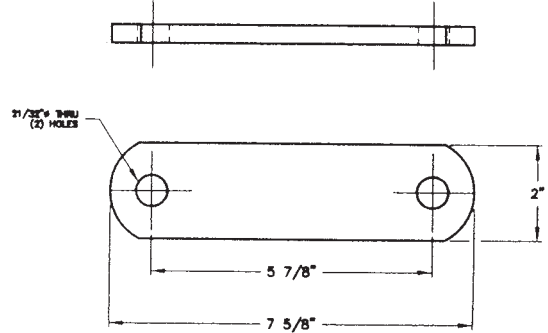
PZ-04-80-26-41
A = 26" to 41"

PZ-04-80-56-72
A = 56" to 72"

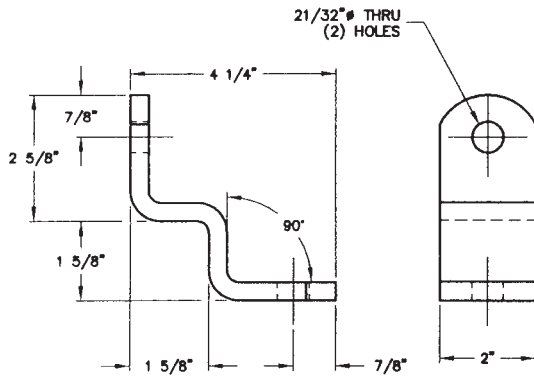
BRACE LUGS



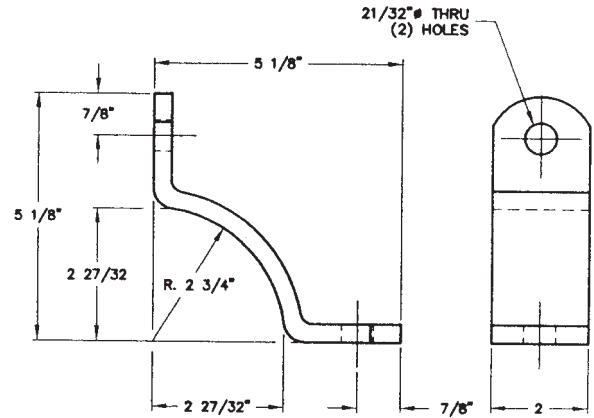
700-4-407



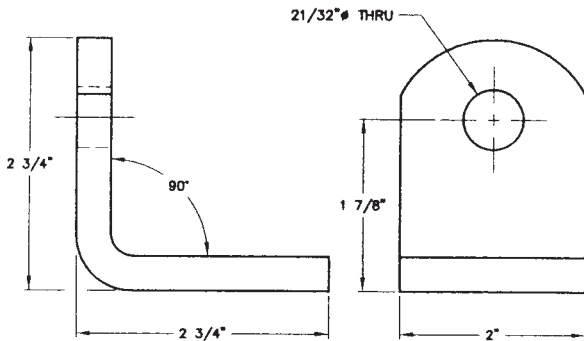
700-4-408



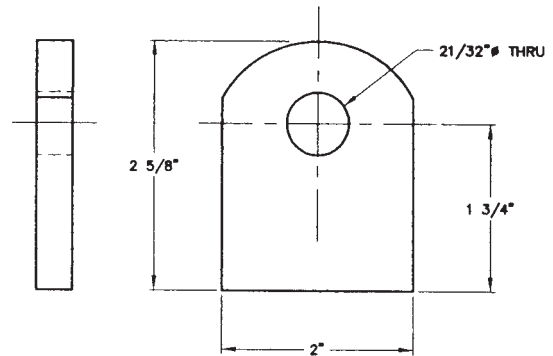
700-4-96



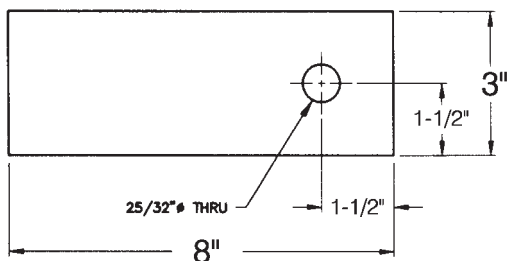
700-4-39



700-4-93



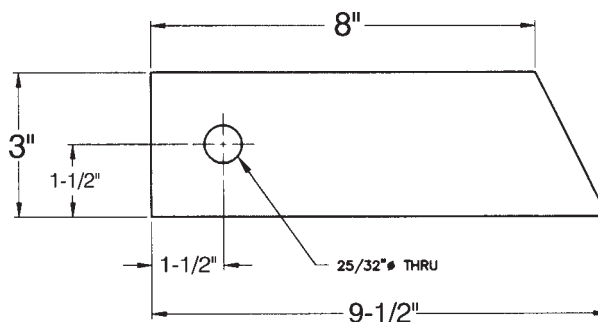
700-4-92



Lower Brace Lug

700-4-451

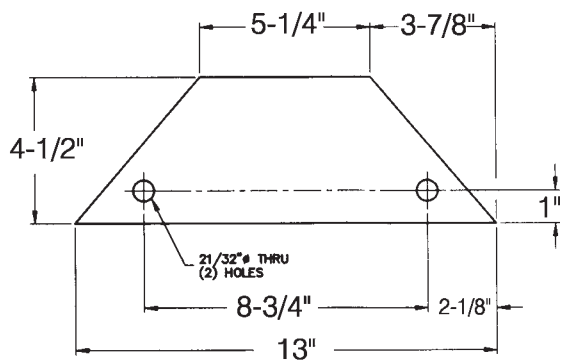
Replaces Great Dane 09954



Upper Brace Lug

700-4-452

Replaces Great Dane 09955



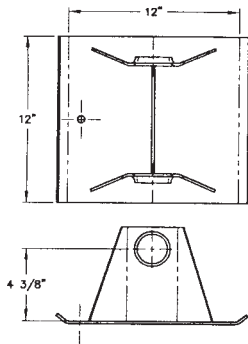
Mounting Plate

700-4-450

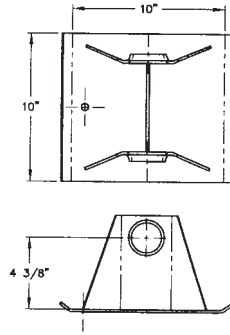
Replaces Great Dane 09758

Sand Shoes

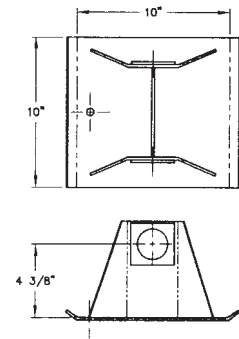
SAND SHOES



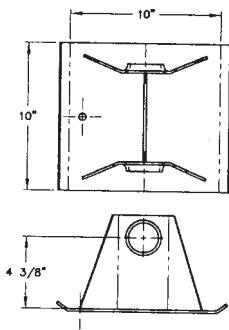
700-4-2
Sides - 1/4"
Base - 7Gauge
Single Gusset



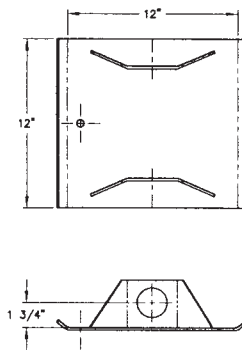
700-4-316
Sides - 1/4"
Base - 7Gauge
Single Gusset



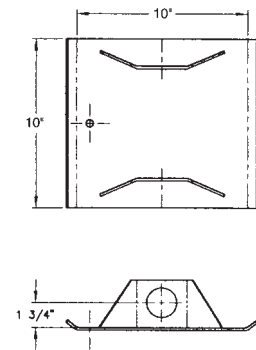
700-4-424
Sides - 1/4"
Base - 7Gauge
Single Gusset



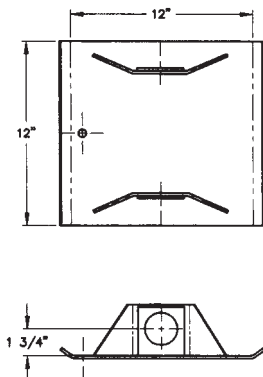
700-4-340
Sides - 7Gauge
Base - 7Gauge
Single Gusset



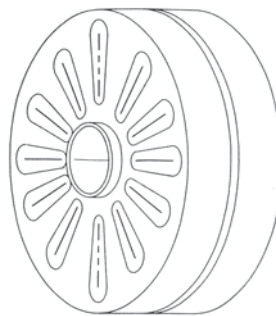
700-4-101
Sides - 1/4"
Base - 7Gauge
No Gusset



700-4-409
Sides - 1/4"
Base - 7Gauge
No Gusset

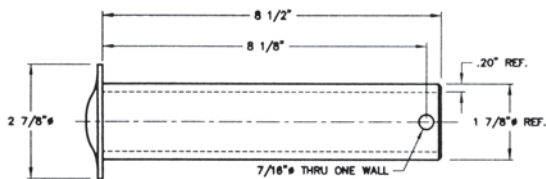


700-4-474
Sides - 7Gauge
Base - 7Gauge
No Gusset

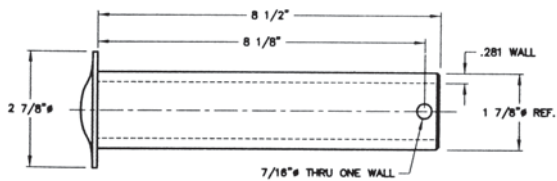


4-10-55
Wheel Dia. - 9"
Hole Size - 2-1/32"
Width - 3-3/16"

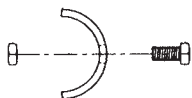
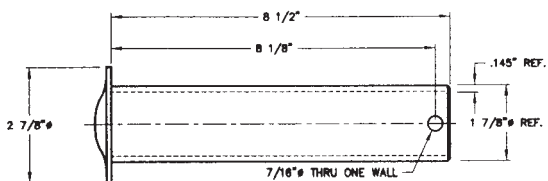
SAND SHOE AXLE KITS



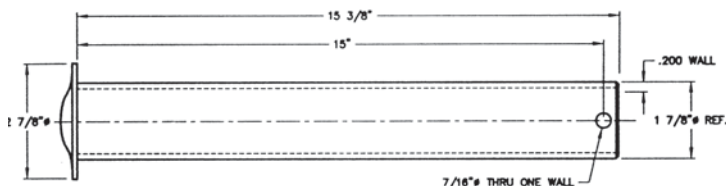
700-4-111
Material - Schedule 80



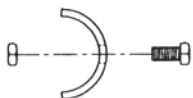
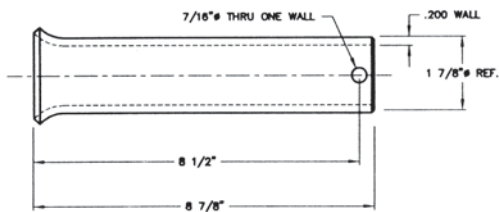
700-4-112
Heavy Duty
Material - Schedule 160



700-4-406
Material - Schedule 40



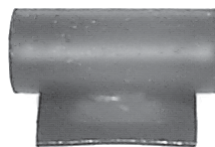
700-4-113
Material - Schedule 80



700-4-110
Material - Schedule 80

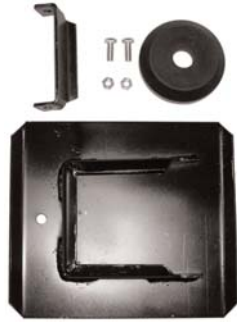


Axle Collar
700-4-116



Axle Housing
700-4-109

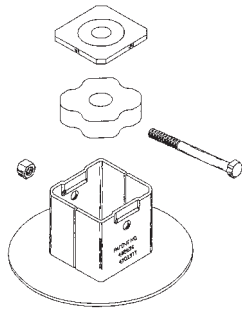
CUSHION FOOT KITS



**Replacement Kit for
Propar/Eagle**
700-4-434



**Replacement Kit for
FG4000 Fast Gear
& 51,000 Contender**
BK-LG0048-01

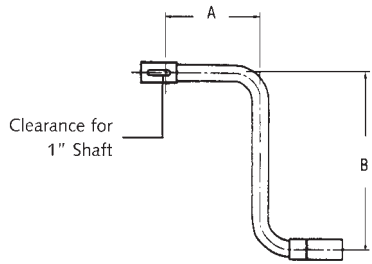


**Replacement Kit for
50,000 Challenger**
BK-LG0068
10" Diameter



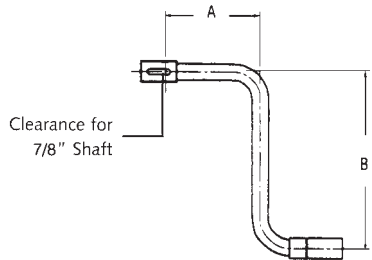
**Repair Kit for
Jost**
JO-C10717

Vertical Fold - Clearance for 1" Shaft



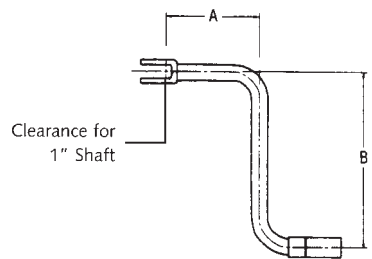
Part No.	Dimension A	Dimension B
700-4-140	7-3/8"	14"
700-4-141	11-3/8"	
700-4-142	15-3/8"	
700-4-173	21"	

Vertical Fold - Clearance for 7/8" Shaft



Part No.	Dimension A	Dimension B	Replacement For
700-4-441	12-9/16"	12	SXA000250-3

Side Fold - Clearance for 1" Shaft



Part No.	Dimension A	Dimension B
700-4-136	7-3/8"	14"
700-4-137	11-3/8"	
700-4-138	15-3/8"	
700-4-139	21"	

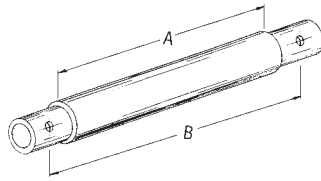


Wire Crank Handle Hook
BK-XB-LG0089



Propar / Eagle Gear Kit
EG-JBP-GEARKIT

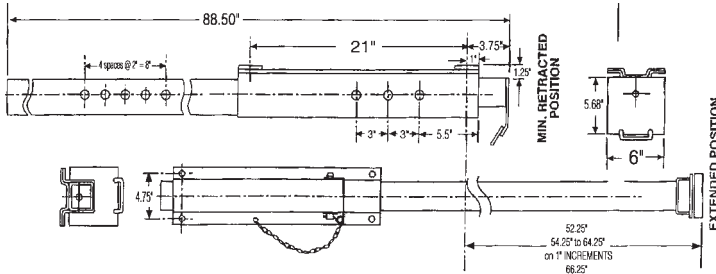
Miscellaneous



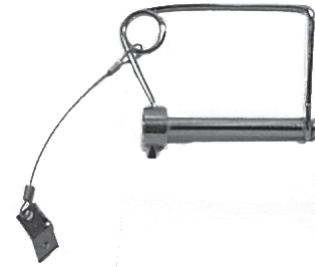
Adjustable Cross Shaft
700-4-97
 A = 52"
 B = 53" to 72"



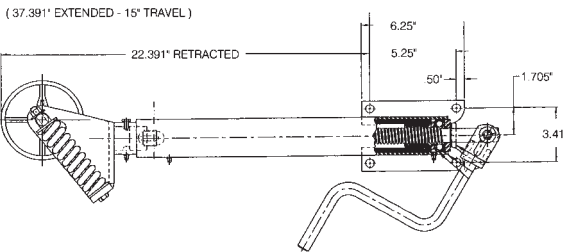
Support Leg Bolt Kit
700-50-35
 Contains:
 10-5/8" x 1-3/4" Grade 8 Bolts
 10-5/8" Lock Nuts



Anti-Nose-Dive Jack
BK-LG1870



Anti-Nose-Dive Pin Assembly
4-A23-7
 1/2" Diameter Pin



Holland Converter Dolly Jack
HL-JS-300-J
 15" Travel; 5" Steel Wheel



Austin-Westran Converter Dolly Jack
KW-760107
 12-1/2" Travel; 8" Textite Wheel



Butler Converter Dolly Jack
21-A5-11
 12-1/2" Travel; 6" Steel Wheel



Butler Stabilizing Jack
BP-ST-100
 Adjusts 44" to 51"

AUSTIN-WESTRAN CMR MODEL

AUSTIN-WESTRAN PART NO.	TRAILMOBILE PART NO.
795098	KW-700-4-358S
742315	KW-700-4-359GB
742124	KW-700-4-360NGB
795118	KW-700-4-361S
742379	KW-700-4-362GB
742109	KW-700-4-363NGB
795095	KW-700-4-454S
742189	KW-700-4-455GB
742113	KW-700-4-456NGB
795179	KW-700-4-509S
742836	KW-700-4-510GB
742340	KW-700-4-511NGB

AUSTIN-WESTRAN CMS MODEL

AUSTIN-WESTRAN PART NO.	TRAILMOBILE PART NO.
785078	KW-700-4-372S
742523	KW-700-4-373GB
742118	KW-700-4-374NGB

BUTLER 26100 VOYAGER MODEL

BUTLER PART NO.	TRAILMOBILE PART NO.
26110	BP-700-4-364S
26111	BP-700-4-365GB
26112	BP-700-4-366NGB

HOLLAND MARK V MODEL

HOLLAND PART NO.	TRAILMOBILE PART NO.
LGS-3A001	HL-700-4-378S
XA-S8-3A001	HL-700-4-379GB
XA-S9-3A001	HL-700-4-380NGB
LGS-3A105	HL-700-4-381S
XA-S8-3A105	HL-700-4-382GB
XA-S9-3A105	HL-700-4-383NGB
LGS-4A001	HL-700-3-384S
XA-S8-4A001	HL-700-3-385GB
XA-S9-4A001	HL-700-3-386NGB
LGS-4A105	HL-700-4-387S
XA-S8-4A105	HL-700-4-388GB
XA-S9-4A105	HL-700-4-389NGB

HOLLAND BINKLEY 50,000 CHALLENGER MODEL

HOLLAND BINKLEY PART NO.	TRAILMOBILE PART NO.
LG5001-30	BK-700-4-349S
LG5001-32	BK-700-4-350GB
LG5001-31	BK-700-4-351NGB
LG5001-70	BK-700-4-179S
LG5001-72	BK-700-4-180GB
LG5001-71	BK-700-4-181NGB
LG5001-90	BK-4-A5-380S
LG5001-92	BK-4-A5-381GB
LG5001-91	BK-4-A5-382NGB
LG5008-70	BK-700-4-342S
LG5008-72	BK-700-4-343GB
LG5008-71	BK-700-4-344NGB
LG5G0C-90	BK-700-4-416S
LG5G0C-92	BK-700-4-417GB
LG5G0C-91	BK-700-4-418NGB

HOLLAND BINKLEY 51,000 CONTENDER MODEL

HOLLAND BINKLEY PART NO.	TRAILMOBILE PART NO.
LG400B-70	BK-700-4-345S
LG400B-72	BK-700-4-346GB
LG400B-71	BK-700-4-347NGB
LG400B-705	BK-700-4-369S
LG400B-725	BK-700-4-370GB
LG400B-715	BK-700-4-371NGB
LG400K-70	BK-700-4-272S
LG400K-72	BK-700-4-273GB
LG400K-71	BK-700-4-274NGB
LG4003-70	BK-700-4-485S
LG4003-72	BK-700-4-486GB
LG4003-71	BK-700-4-487NGB
LG4003-90	BK-700-4-425S
LG4003-92	BK-700-4-426GB
LG4003-91	BK-700-4-427NGB

HOLLAND BINKLEY FG4000 FAST GEAR MODEL

HOLLAND BINKLEY PART NO.	TRAILMOBILE PART NO.
FG400B-70	BK-700-4-413S
FG400B-72	BK-700-4-414GB
FG400B-71	BK-700-4-415NGB
FG400B-705Q	BK-700-4-478S
FG400B-725Q	BK-700-4-479GB
FG400B-715Q	BK-700-4-480NGB
FG4003-70	BK-700-4-495S
FG4003-72	BK-700-4-496GB
FG4003-71	BK-700-4-497NGB

JUST A400 MODEL

JUST PART NO.	TRAILMOBILE PART NO.
A400G17	JO-700-4-402S
A400RG17	JO-700-4-403GB
A400LG17	JO-700-4-404NGB
A400G19	JO-700-4-498S
A400RG19	JO-700-4-499GB
A400LG19	JO-700-4-500NGB
A400T17	JO-700-4-390S
A400RT17	JO-700-4-391GB
A400LT17	JO-700-4-392NGB
A400T19	JO-700-4-443S
A400RT19	JO-700-4-444GB
A400LT19	JO-700-4-445NGB

JUST A401 MODEL

JUST PART NO.	TRAILMOBILE PART NO.
A401G317	JO-700-4-410S
A401RG317	JO-700-4-411GB
A401LG317	JO-700-4-412NGB
A401T17	JO-700-4-393S
A401RT17	JO-700-4-394GB
A401LT17	JO-700-4-395NGB