



**DURALITE® MECHANICAL SUSPENSION KITS**



**Duralite® Mechanical Suspension Assemblies  
Available in Conveniently Boxed Kits**



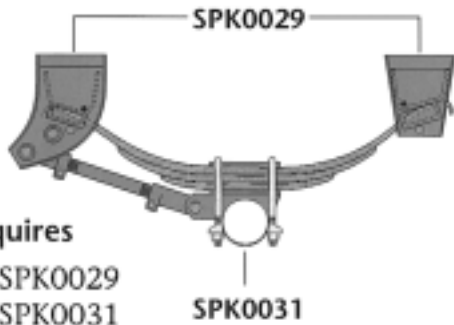
**SUSPENSION COMPONENTS PACKAGED IN THREE KITS**

Kit Numbers	SPK0029*	SPK0030*	SPK0031**
Contents	Front and rear under mount hanger brackets, adjustable and fixed torque arms and necessary fastener hardware	Center under mount hanger brackets, adjustable and fixed torque arms and necessary fastener hardware	Standard 3/4" axle seats bottom plates, u-bolts & fastener hardware <i>Other mounting heights are available</i>

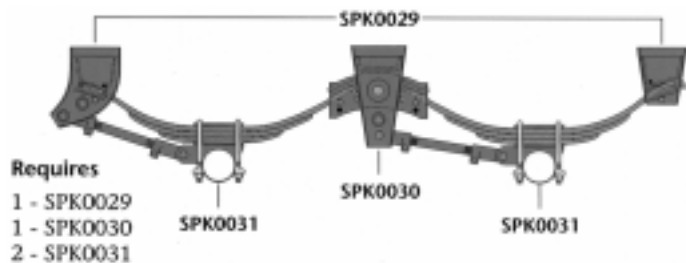
\* Note: Kits are also available in straddle mount and frame mount configurations.

\*\* Seat heights are also available to handle mounting height requirements from 4-1/2" up to 19"

DURALITE® SINGLE AXLE SUSPENSION



DURALITE® TANDEM AXLE SUSPENSION



All components for underslung or overslung, under mount, straddle mount or flange mount mechanical suspensions with 3/4" seat height are available in boxed kits for single axle, tandem or tri-axle trailer applications in mounting heights for 4-1/2" to 19"

- **Up to 70lbs. weight savings through the use of high strength 80,000 lb. yield steel.**
- **Easy axle alignment.**
- **Industry leading 5-year parts and labor warranty.**

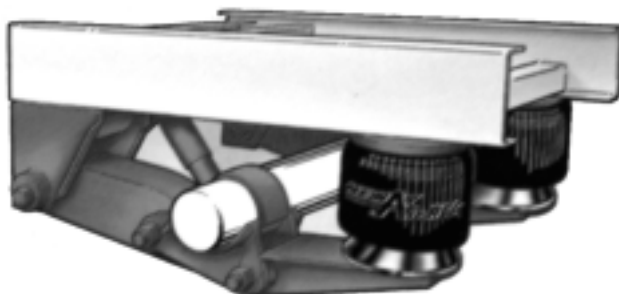


## HOLLAND NEWAY SUSPENSIONS



### TRAILER AIR SUSPENSION for Most Low Profile ON/OFF Highway Applications **RLU-228 SERIES**

With capacities up to 22,500 lbs. and ride heights ranging from 6 to 12 inches, the RLU Series will handle most low profile applications like drop frames and low boys. The EZ-ALIGN™ feature is standard.



### TRAILER AIR SUSPENSION for Most ON/OFF Highway Applications **RL-228 & RL-230 SERIES**

With capacities up to 22,500 lbs. and ride heights ranging from 12 to 17 inches, these RL Series will handle most applications. Two-pin axle connection protects the axle while providing positive axle alignment. Balanced suspension geometry softens rides, even in more difficult road conditions. The EZ-ALIGN™ feature is standard.



### TRAILER AIR SUSPENSION for Most Heavy Duty Applications **RL-250 RLU-250 SERIES**

This Neway suspension combines a big 25,000 lbs. per axle capacity with proven reliability and performance. Long travel and balanced suspension geometry softens rides, even in more difficult road conditions. The EZ-ALIGN™ feature is standard.



### **EZ•ALIGN™**

#### The Original and Proven Non-Weld Axle Alignment Feature

Make axle adjustments in minutes from the outboard side of the trailer. It is a very simple system. No special tools or welding is needed, you just loosen the lock nut, rotate the pivot bolt to adjust the alignment and retorque the Lock Nut to 800 ft lbs. - there is no weld to replace. The EZ-ALIGN™ feature is standard for all RL/RLU Series Air Suspensions.





## HOLLAND NEWAY RL-228-14, -15, -16, -17 SUSPENSIONS

### TRAILER AIR SUSPENSION SPECIFICATIONS

#### TOPMOUNT MODEL FOR HIGHWAY OPERATION RL-228 SERIES

Models: RL-228-14, RL-228-15,  
RL-228-16, RL-228-17

#### GENERAL SPECIFICATIONS

Capacity: 22,500 lbs. Single Axle GAWR  
Suspension Only - 5" Round Axle

#### Axle Travel (In Inches)

Model	Total	Up	Down
RL-228-14-4	8	4	4
RL-228-15-4	8	3.75	4.25
RL-228-16-4	8	3.9	4.12
RL-228-17-4	8.25	4.12	4.12

#### AXLE SPACING

45 $\frac{1}{2}$ " Min. to 122" Max. Tandem Application.

#### AXLE TYPE

Adapts to 5" round with "S" cam or  
disc brakes for 20" or 22" wheels.

#### AIR SPRING DATA

Air cell operative to -65 degrees F.

#### AIR CONTROLS

AC-6100 Automatic Air Control Kit standard, single height  
control valve.

#### SUSPENSION WEIGHT (Suspension Only)

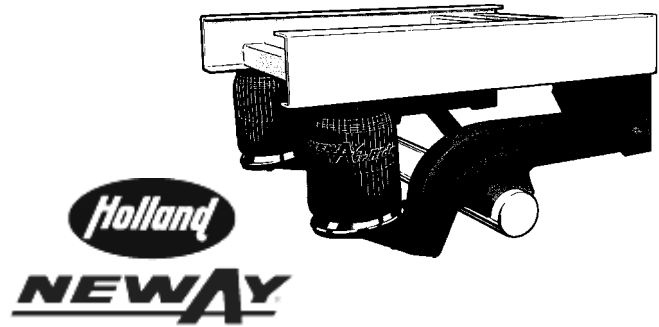
RL-228-14	5" Rd.	292 lbs
RL-228-15	5" Rd.	297 lbs
RL-228-16	5" Rd.	310 lbs
RL-228-17	5" Rd.	314 lbs

**INSTALLATION** - Refer to separate instructions for  
installation of suspension and air controls

**APPLICATION** - For most On/Off highway. For lift or  
special applications, contact New Life Transport Parts  
Center or Neway.

#### HOW TO ORDER AN RL-228 SERIES SUSPENSION

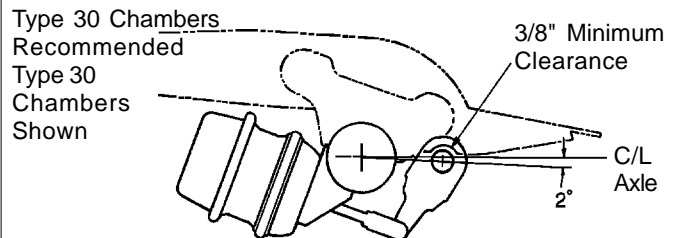
- Model Number** - Specify model number when  
ordering.
- Beam Centers** - Variable from 35" to 41" to adapt to  
96" - 102" trailers.
- Air Spring Centers** - 30" to 36" standard
- Air Controls** - AC-6100 Automatic Air Control Kit,  
single Height Control Valve System
- Axle Size and Shape** - 5" round.
- Wheel Size** - 20" or 22" wheels



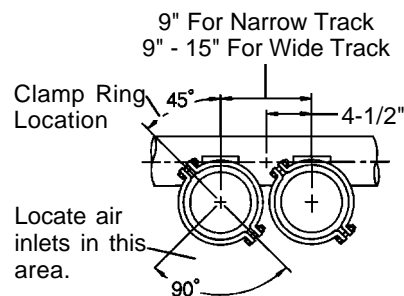
#### HOW TO ORDER AN AXLE FOR RL-228 SERIES SUSPENSIONS:

- Advise suspension model number and beam  
centers when ordering axle. (See axle section in  
this catalog).
- SPECIAL AXLE REQUIREMENTS**  
Special camshaft and brake chamber  
locations required.
- TIRE NOTE:** 7 $\frac{1}{4}$ " minimum is required between the  
centerline of the air spring and the tire sidewall.  
Determine inside tire dimension by adding 14 $\frac{1}{2}$ " to air  
spring centers. EXAMPLE: Air spring centers of 30"  
plus 14 $\frac{1}{2}$ " give inside tire dimension of 44 $\frac{1}{2}$ "  
minimum. Lateral and vertical tire clearance must be  
provided by trailer manufacturer.

#### RECOMMENDED BRAKE CAMSHAFT & CHAMBER LOCATION SHOWN. LOCATION MAY VARY SLIGHTLY BASED ON AXLE MFR RECOMMENDATION.



#### S-Cam Brakes 20" & 22" Wheels, 5" Round Axle



**Brake Chamber Centers**

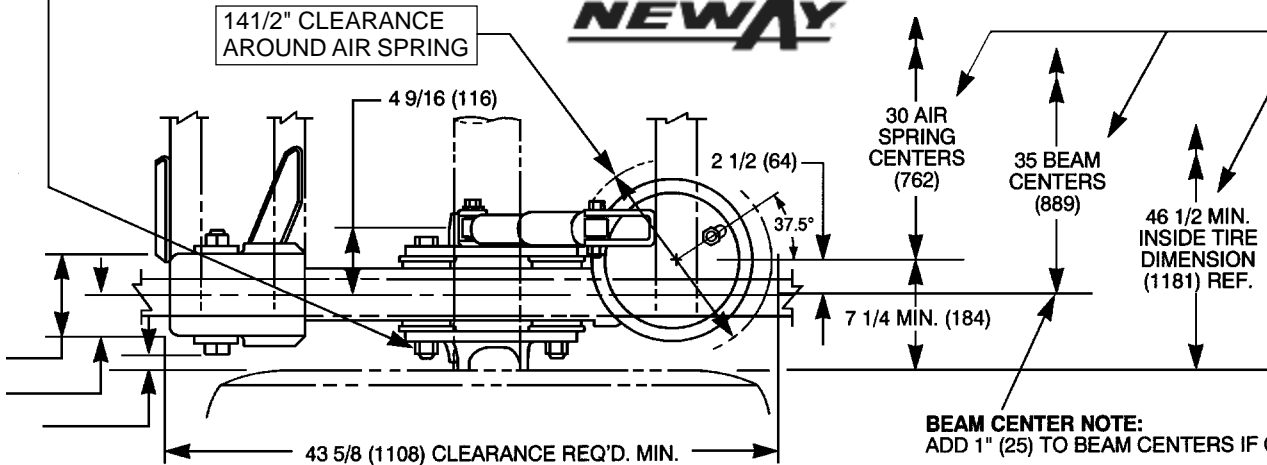


# HOLLAND NEWAY RL-228-14, -15, -16, -17 AIR SUSPENSIONS

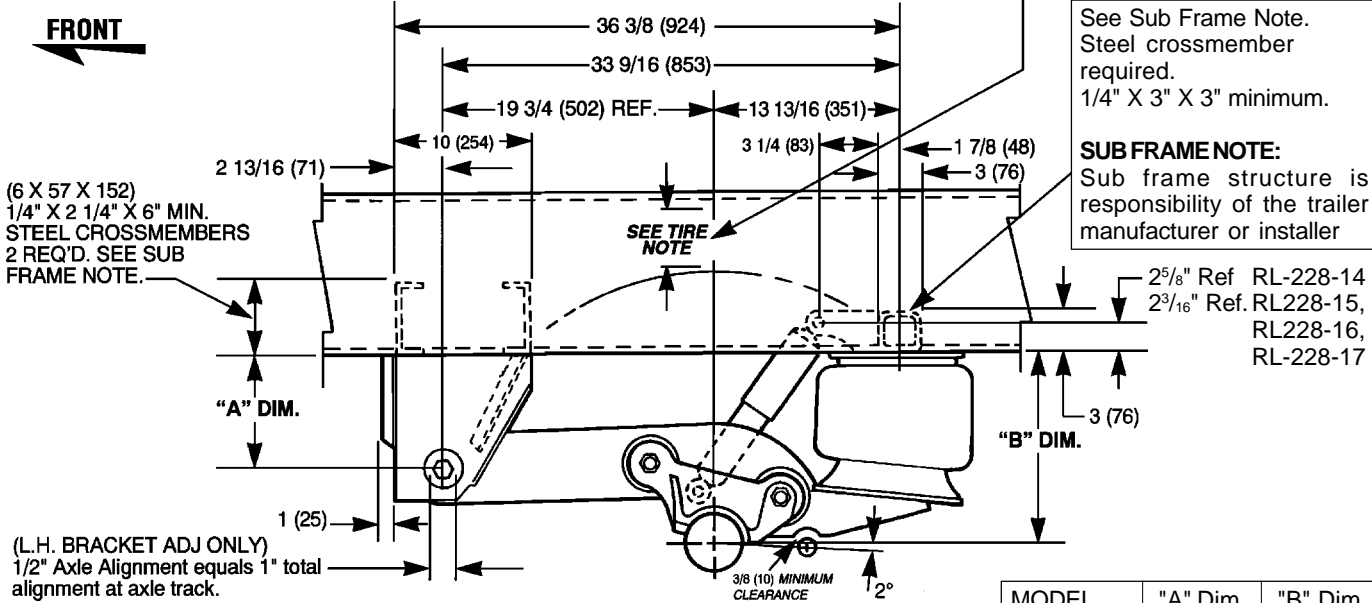
NOTE: 5" RD. AXLE CONNECTION ASSEMBLED AND PRE-TORQUED AT FACTORY



REF. -96" WIDE VEHICLE  
ADD 6" FOR 102" WIDE VEHICLE



**TIRE NOTE:**  
1 1/4" minimum distance is required between underside of wheel well and top of tire when air springs are exhausted. Lateral clearance, 2" minimum each side of tire must be provided by trailer manufacturer or installer.

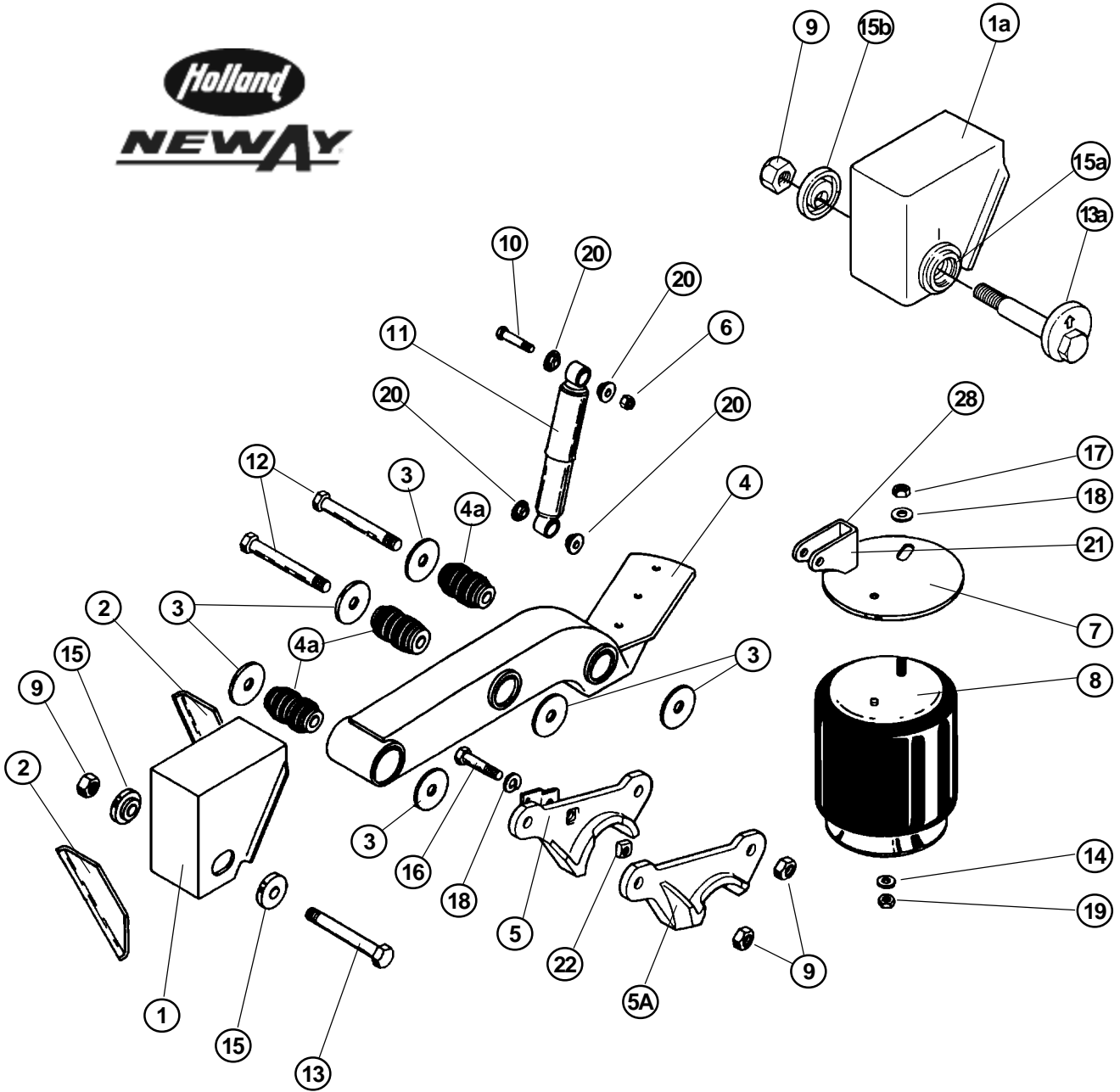


- NOTES:**
1. RL-228 Models can use cambered or non-cambered axles.
  2. When camshaft is mounted to the rear of the axle, medium or long camshafts can be used.
  3. When camshaft is to rear of axle, brake chambers are mounted under the axle as shown (See previous page).
  4. Optional camshaft locations are available. Call for more information.

MODEL	"A" Dim.	"B" Dim.
RL-228-14	7-1/4"	14"
RL-228-15	8-1/4"	15"
RL-228-16	10-5/8"	16"
RL-228-17	10-5/8"	17"



# HOLLAND NEWAY RL-228-14, -15, -16, -17 AIR SUSPENSIONS





## HOLLAND NEWAY RL-228-14, -15, -16, -17 AIR SUSPENSIONS

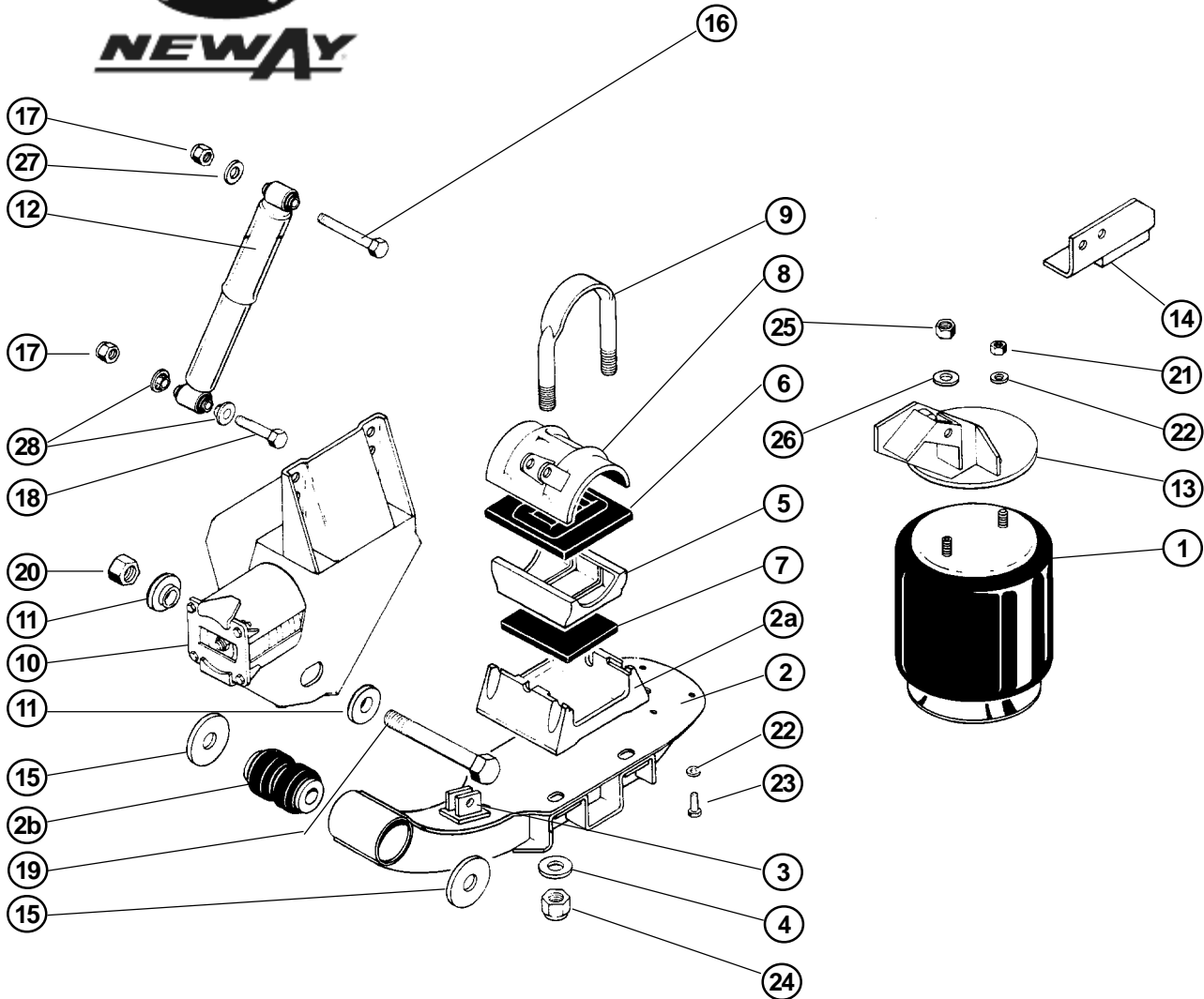
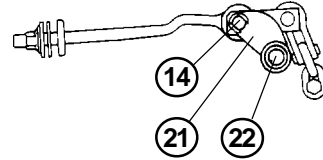
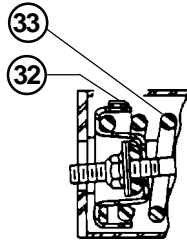
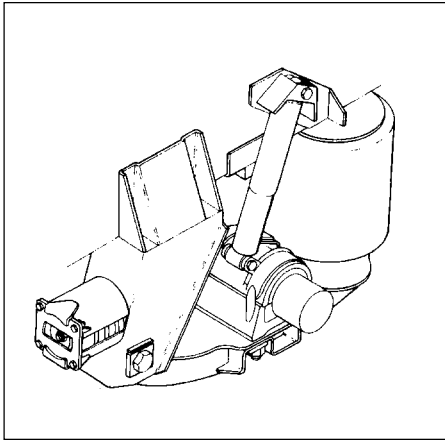
Item No.	Part Number	Description	Qty. Req'd	Model	Ride Height
1	90520568	Adjustable Frame Bracket	2*	RL-228	14
	90520561	Adjustable Frame Bracket	2*	RL-228	15
	90520843	Adjustable Frame Bracket	2*	RL-228	16, 17
1a	90520858	Non-Weld (EZ-ALIGN™) Frame Bracket LH (Includes 15a)	1	RL-228	14
	90520856	Non-Weld (EZ-ALIGN™) Frame Bracket LH (Includes 15a)	1	RL-228	15
	90520857	Non-Weld (EZ-ALIGN™) Frame Bracket LH (Includes 15a)	1	RL-228	16, 17
2	90025157	Angle Brace	4	RL-228	14
	90023002	Angle Brace	4	RL-228	15, 16, 17
3	90036177	Spacer Washer	12	RL-228	All
4	90516566	Equalizing Beam LH (Includes 4a)	1	RL-228	All
	90516567	Equalizing Beam RH (Includes 4a)	1	RL-228	All
4a	90008149	Rubber Bushing	6	RL-228	All
5	90501261	Axle Adapter LH (inside)	1	RL-228	All
	90501262	Axle Adapter RH (inside)	1	RL-228	All
5a	90001215	Axle Adapter LH (outside)	1	RL-228	All
	90001216	Axle Adapter RH (outside)	1	RL-228	All
6	93400492	Lock Nut 3/4-10	2	RL-228	All
7	90033785	Air Spring Mounting Plate	2	RL-228	All
8	90557156	Air Spring Assembly	2	RL-228	14, 15, 16
	90557157	Air Spring Assembly	2	RL-228	17
9	93400506	Lock Nut 1 1/8-7	6	RL-228	All
10	93003597	Cap Screw 3/4-10 x 3 1/2"	2	RL-228	All
11	90044642	Shock Absorber	2	RL-228	14, 15, 16
	90044089	Shock Absorber	2	RL-228	17
12	93201051	Cap Screw 1 1/8-7 x 8 1/2"	4	RL-228	All
13	93201055	Cap Screw 1 1/8-7 x 9 1/4"	2*	RL-228	All
13a	90508009	Cap Screw 1 1/8-7 x 9 1/4" (Non-Weld Application)	1	RL-228	All
14	93600072	Lock Washer 1/2"	2	RL-228	All
15	90008147	Alignment Bushing	4*	RL-228	All
15a	90008185	Alignment Bushing (Non-Weld Application)	2	RL-228	All
15b	90008186	Alignment Bushing (Non-Weld Application)	1	RL-228	All
16	93003609	Cap Screw 3/4-10 x 4"	2	RL-228	All
17	93400149	Hex Nut 3/4"-16	2	RL-228	All
18	93600077	Lock Washer 3/4"	4	RL-228	All
19	93400136	Hex Nut 1/2"-13	2	RL-228	All
20	90508004	Replacement Shock Bushing	8	RL-228	All
21	90018515	Upper Shock Bracket	2	RL-228	All
22	93400367	Square Nut 3/4-10	2	RL-228	All
Service Repair Kits					
	48100206	SRK-149 - Axle Connection (5" round, 20" wheel)	1	RL-228	All
	48100264	SRK-203 - Pivot Connection, Adjustable	1	RL-228	All
	48100295	SRK-233 - Pivot Connection, Non-Weld (EZ-ALIGN™)	1	RL-228	All

•• Note: If you replace the frame brackets on these suspensions, they have been updated to Part No. 90521--- series. These brackets take a different alignment collar. Use the 90008198 in place of the 90008147.





# HOLLAND NEWAY ART-505-C, -1, ART-555-C-1,-2,-3 AIR SUSPENSIONS



**HOLLAND NEWAY ART-505-C, -1, ART-555-C-1,-2,-3 AIR SUSPENSIONS**

Item No.	Part Number	Description	Qty. Req'd	Model
1	90557027	Air Spring Assembly	2	ART-505-C-1,-1
	90557008	Air Spring Assembly	2	ART-555-C-1,-2,-3
2	90516335	Equalizing Beam Assembly LH (Includes items 2a, 2b, 3)	1	ART-505-C, 555-C-3
	90516336	Equalizing Beam Assembly RH (Includes items 2a, 2b, 3)	1	ART-505-C, 555-C-3
	90516337	Equalizing Beam Assembly LH (Includes items 2a, 2b, 3)	1	ART-505-C-1, 555-C-2
	90516338	Equalizing Beam Assembly RH (Includes items 2a, 2b, 3)	1	ART-505-C-1, 555-C-2
	90516341	Equalizing Beam Assembly LH (Includes items 2a, 2b, 3)	1	ART-555-C-1
	90516342	Equalizing Beam Assembly RH (Includes items 2a, 2b, 3)	1	ART-555-C-1
2a	90001006	Beam Seat	2	ART-505-C, 555-C-3
	90501037	Beam Seat	2	ART-505-C-1, 555-C-2
	90001008	Beam Seat	2	ART-555-C-1
2b	90008139	Rubber Bushing	2	All
3	90531040	Beam Lift Bracket	2	All
4	93900027	Washer 1	8	All
5	90001082	Axle Adapter	2	All
6	90028047	Rubber Wrapper	2	All
7	90028083	Rubber Pad	2	All
8	90510061	Axle Cap Assembly LH - Without Axle Stops	1	All
	90510062	Axle Cap Assembly RH - Without Axle Stops	1	All
	90510063	Axle Cap Assembly LH - With Axle Stops	1	All
	90510064	Axle Cap Assembly RH - With Axle Stops	1	All
9	90041878	U-Bolt 1-8 x 9"	4	ART-505-C, 555-C-3
	90042791	U-Bolt 1-8 x 10 1/2"	4	ART-505-C-1, 555-C-2
	90042792	U-Bolt 1-8 x 12 1/2"	4	ART-555-C-1
10	90519993	Frame Bracket, LH, Adjustable	1	ART-555-C-1,-2,-3
	90519994	Frame Bracket, RH, Fixed	1	ART-555-C-1,-2,-3
	90519995	Frame Bracket, LH, Adjustable	1	ART-505-C,-1
	90519996	Frame Bracket, RH, Fixed	1	ART-505-C,-1
11	90008147	Adjusting Bushing	2	All
12	90044162	Shock Absorber	2	ART-505-C,-1, 555-C-1
	90044642	Shock Absorber	2	ART-555-C-2,-3
13	90518319	Air Spring & Shock Bracket Assembly LH	1	ART-505-C, 555-C-1,-3
	90518320	Air Spring & Shock Bracket Assembly RH	1	ART-505-C, 555-C-1,-3
	90518321	Air Spring & Shock Bracket Assembly LH	1	ART-505-C-1, 555-C-2
	90518322	Air Spring & Shock Bracket Assembly RH	1	ART-505-C-1, 555-C-2
14	90544241	Axle Stop Assembly LH	1	ART-505-C
	90544242	Axle Stop Assembly RH	1	ART-505-C
	90544243	Axle Stop Assembly LH	1	ART-505-C-1, 555-C-1
	90544244	Axle Stop Assembly RH	1	ART-505-C-1, 555-C-1
	90544245	Axle Stop Assembly LH	1	ART-555-C-2
	90544246	Axle Stop Assembly RH	1	ART-555-C-2
	90544247	Axle Stop Assembly LH	1	ART-555-C-3
	90544248	Axle Stop Assembly RH	1	ART-555-C-3
15	90036177	Spacer Washer	4	All
16	93003645	Hex Head Bolt 3/4-10 x 5 1/2" Gr5	2	All
17	93400492	Lock Nut 3/4-10 GrB	4	All
18	93003579	Hex Head Bolt 3/4-10 x 3 1/2" Gr5	2	All
19	32101055	Hex Head Bolt 1 1/8-7 x 9 1/4" Gr8	2	All
20	93400506	Lock Nut 1 1/8-7 GrC	2	All
21	93400136	Hex Nut 1/2-13 GrB	2	All
22	93600072	Lock Washer 1/2	8	All
23	93002893	Hex Head Bolt 1/2-13 x 1" Gr2	6	All
24	93400502	Lock Nut 1-8 GrC	8	All
25	93400149	Hex Nut 3/4-16 GrB	2	All
26	93600077	Lock Washer 3/4	2	All
27	93600005	Washer 3/4	2	All
28	90508004	Replacement Shock Bushing	8	All
<b>Service Repair Kits</b>				
29	48100215	SRK-158 - Cam Assembly 1"	1	All
30	48100218	SRK-161 - Lower Cam Pin	1	All
31	48100219	SRK-162 - Upper Cam Pin	1	All
32	48100220	SRK-163 - Wear Band	1	All
33	48100230	SRK-173 - Coil Spring Replacement (Includes Installation Tool)	2	All
	48100250	SRK-173-1 - Coil Spring Replacement (Without Installation Tool)	2	All
	48100108	SRK-64 - Axle Connection (5" Round)	1	ART-505-C, 555-C-3
	48100110	SRK-66 - Axle Connection (5" Round)	1	ART-505-C-1, 555-C-2
	48100112	SRK-68 - Axle Connection (5" Square)	1	ART-505-C, 555-C-3
	48100181	SRK-128 - Axle Connection (5" Round)	1	ART-555-C-1
	48100202	SRK-145 - Pivot Connection	1	All

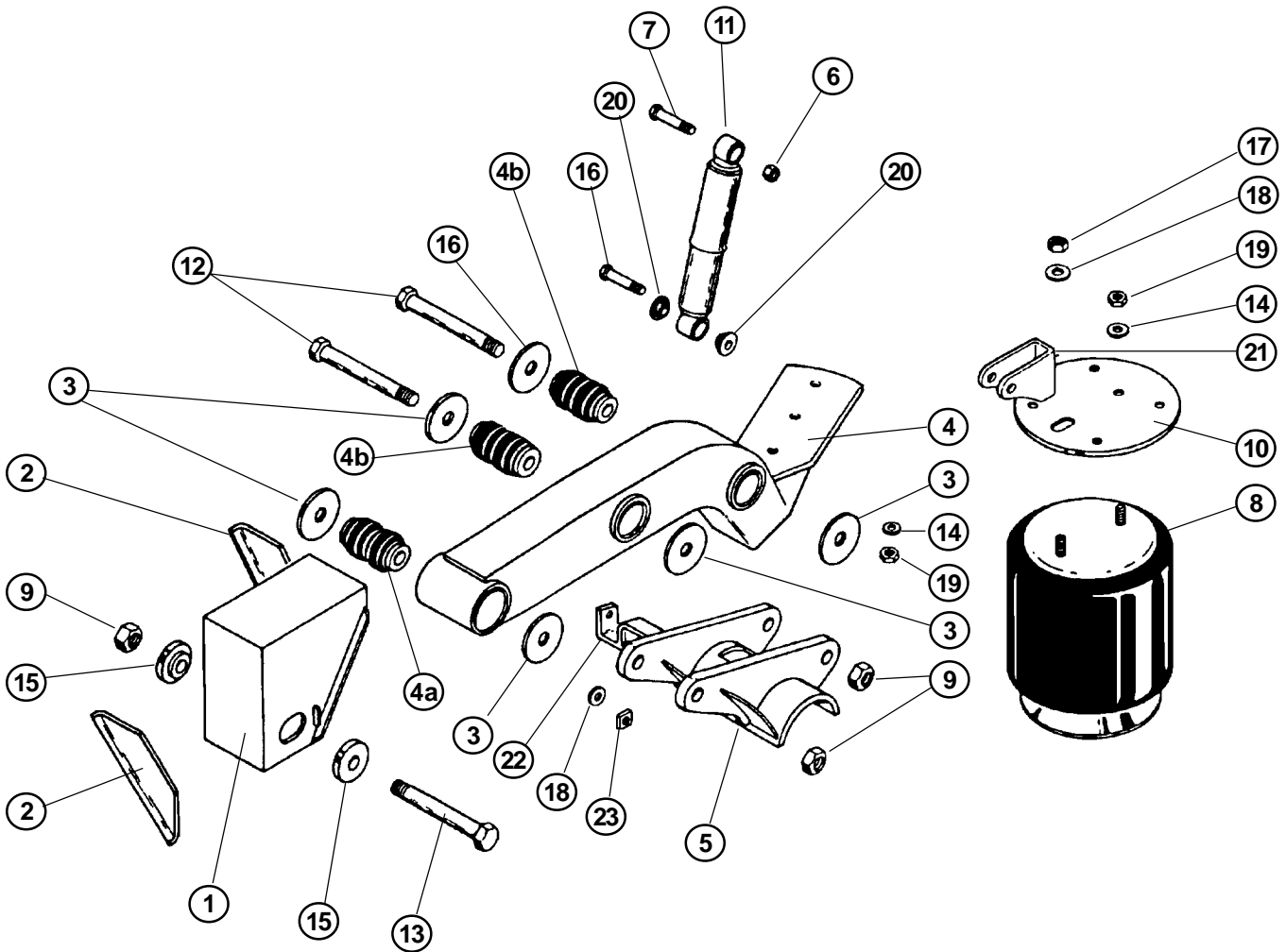
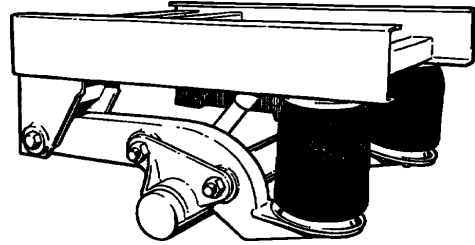




HOLLAND NEWAY AR-92-12,-14,-15,-16,-17,-18 AIR SUSPENSIONS



AR-92-12,-14,-15,-16,-17,-18



**HOLLAND NEWAY AR-92-12,-14,-15,-16,-17,-18 AIR SUSPENSIONS**

Item No.	Part Number	Description	Qty. Req'd	Model	Ride Height
1	90520383	Adjustable Frame Bracket	2	AR-92	12
	90520346	Adjustable Frame Bracket	2	AR-92	14
	90519710	Adjustable Frame Bracket	2	AR-92	15
	90520235	Adjustable Frame Bracket	2	AR-92	16,17
	90520385	Adjustable Frame Bracket	2	AR-92	18
2	90025157	Angle Brace	4	AR-92	12
	90023002	Angle Brace	4	AR-92	14,15
	90023001	Angle Brace	4	AR-92	16,17,18
3	90036177	Spacer Washer	12	AR-92	All
4	90516500	Equalizing Beam LH (Includes Items 4a, 4b)	1	AR-92	All
	90516501	Equalizing Beam RH (Includes Items 4a, 4b)	1	AR-92	All
4a	90008139	Rubber Bushing (Front Pivot)	2	AR-92	All
4b	90008149	Rubber Bushing (Axle Connection)	4	AR-92	All
5	90501289	Axle Adapter LH (Includes Item 22)	1	AR-92	All
	90501290	Axle Adapter RH (Includes Item 22)	1	AR-92	All
6	93400492	Lock Nut $3/4$ -10	2	AR-92	All
7	93003597	Cap Screw $3/4$ -10 x $3\frac{1}{2}$ '	2	AR-92	All
8	90557117	Air Spring Assembly	2	AR-92	12,14
	90557118	Air Spring Assembly	2	AR-92	15,16
	90557119	Air Spring Assembly	2	AR-92	17,18
9	93400506	Lock Nut $1\frac{1}{8}$ -7	6	AR-92	All
10	90033785	Air Spring Mounting Plate	2	AR-92	All
11	90044162	Shock Absorber	2	AR-92	12
	90045040	Shock Absorber	2	AR-92	14
	90045054	Shock Absorber	2	AR-92	15
	90044794	Shock Absorber	2	AR-92	16
	90044642	Shock Absorber	2	AR-92	17
	90044089	Shock Absorber	2	AR-92	18
	12	93201051	Cap Screw $1\frac{1}{8}$ -7 x $8\frac{1}{2}$ "	4	AR-92
13	93201055	Cap Screw $1\frac{1}{8}$ -7 x $9\frac{1}{4}$ "	2	AR-92	All
14	93600072	Lock Washer $1/2$	4	AR-92	All
15	90008147 ••	Alignment Bushing	4	AR-92	All
16	93003609	Cap Screw $3/4$ -10 X 4"	2	AR-92	All
17	93400149	Hex Nut $3/4$ -16	2	AR-92	All
18	93600077	Lock Washer $3/4$ "	4	AR-92	All
19	93400136	Hex Nut $1/2$ -13	4	AR-92	All
20	90508004	Replacement Shock Bushing	8	AR-92	All
21	90018515	Upper Shock Bracket	2	AR-92	All
22	90519773	Lower Shock Bracket	2	AR-92	All
23	93400367	Square Nut $3/4$ -10	2	AR-92	All
<b>Service Repair Kits</b>					
	48100202	SRK-145 - Pivot Connection	1	AR-92	All
	48100206	SRK-149 - Axle Connection (5" Round, 20" Wheel)	1	AR-92	All

•• Note: If you replace the frame brackets on these suspensions, they have been updated to Part No. 90521--- series. These brackets take a different alignment collar. Use the 90008198 in place of the 90008147.

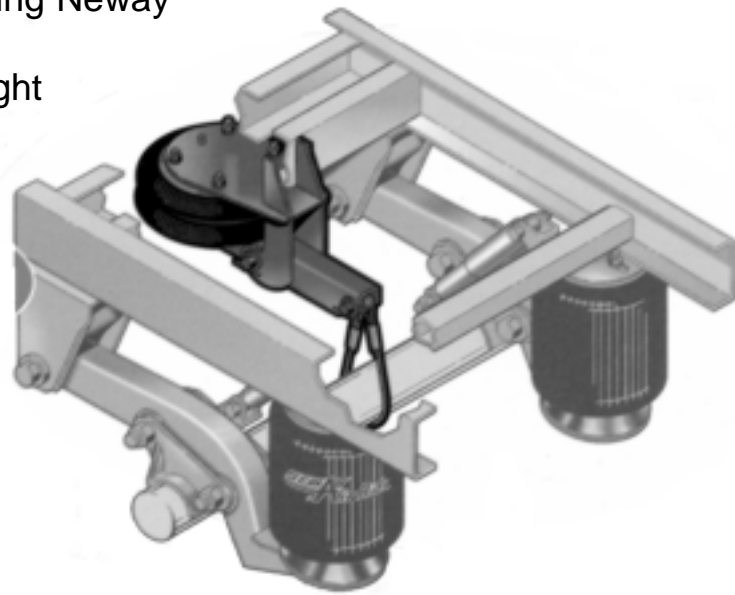


**HOLLAND NEWAY TRAILER AIR SUSPENSION LIFT/LOWER KITS**

**CBL "Center Bag Lift" Kits**

Available for most RL Series Suspensions.

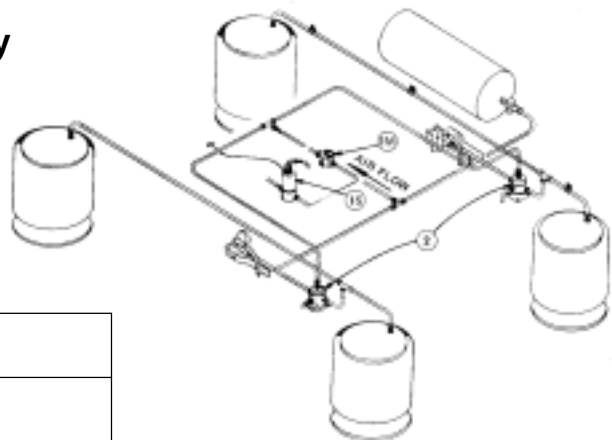
- Easy Installation makes it the right choice for ease in lifting.
- It can also be retrofitted to existing Neway RL series suspensions.
- It mounts below the frame for tight clearance applications.
- Light Weight
- Low Maintenance
- Durable Design
- Also, it comes with a 5 year/500,000 mile warranty.



**Order by Ride Height**  
**Part No. CBL 14/15**  
**Part No, CBL 16/17**

**42100026 (AC-78-M-1)**

**Manual Air Control Kit for Lowering Only**



AIR CONTROL PARTS LIST			
KIT Part No. 42100026 (AC-78-M-1)			
ITEM NO.	PART NO.	QTY. REQ'D	DESCRIPTION
1	90054088	1	Valve, Manually Operated
2	90554615	1	Pilot Valve*
3	90044207	2	Decal - Operating Instructions

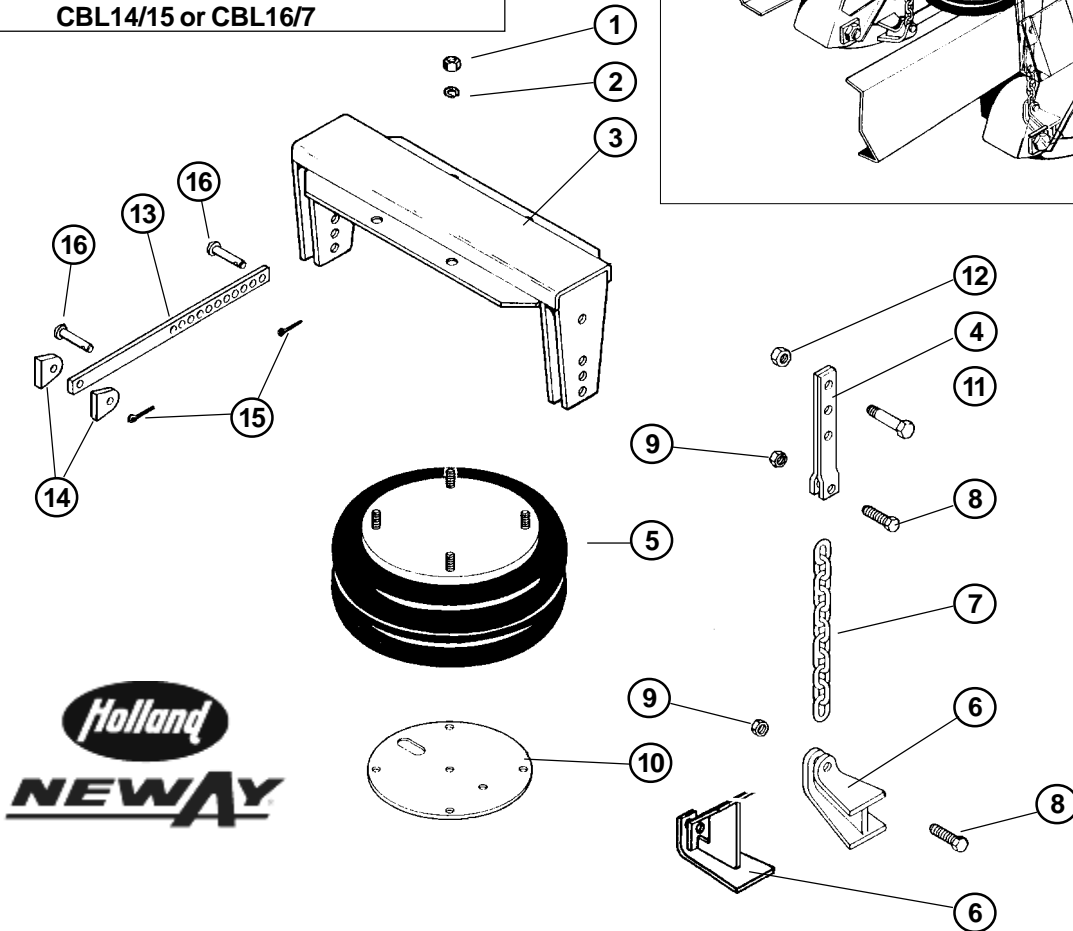
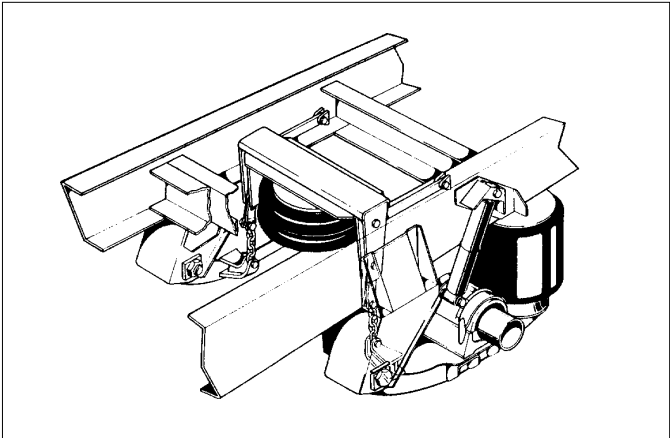
SRK kits not available, use component parts.

\*Use Pilot Valve 90554547 for cold weather applications.\*



**HOLLAND NEWAY AXLE AIR LIFTS**

**TRAILER, TRUCK-TRACTOR  
AXLE AIR LIFT  
AL SERIES**  
Models AL-75-B, AL-76-B, AL-77 AL-78  
Parts listed to Reference Replacement.  
Order CBL Kits for Lift Kit.  
CBL14/15 or CBL16/7



Item No.	AL-75-B Part No.	AL-76-A Part No.	AL-77 Part No.	AL-78 Part No.	Description	Qty
1	93400136	93400136	93400136	93400136	Hex Nut 1/2"-13	8
2	93600072	93600072	93600072	93600072	Lock Washer 1/2"	8
3	90501083	90501084	90501083	90501084	Air Spring Yoke Lift Assembly	1
4	90018218	90018218	90018218	90018218	Yoke Half	4
5	90557001	90557001	90557001	90557001	Air Spring	1
6	90518201	90518201	90519808	90519808	Bracket Assembly	2
7	90044111	90044109	90044111	90044111	Chain H. T.	2
8	93900031	93900031	93900031	93900031	Cap Screw 1/2"-13 x 1 3/4"	4
9	93400541	93400541	93400541	93400541	Lock Nut 1/2"-13	4
10	90031027	90031027	90031027	90031027	Air Spring Mounting Plate	1
11	93900039	93900039	93900039	93900039	Cap Screw 5/8"-11 x 2"	2
12	93400549	93400549	93400549	93400549	Lock Nut 5/8"-11	2
13	90006283	90006283	90006283	90006283	Control Link	2
14	90031007	90031007	90031007	90031007	Stabilizer End Bracket	4
15	93800001	93800001	93800001	93800001	Cotter Pin 1/8" x 1"	4
16	90044164	90044164	90044164	90044164	Yoke Pin	



# HOLLAND NEWAY TRAILER AIR SUSPENSION AIR CONTROL KIT

## 42100021 (AC-6100)

For AR-90 Series Air Ride Suspensions  
With a Single Height Control Valve System

AC-6100 AIR CONTROL PARTS LIST			
ITEM NO.	PART NO.	DESCRIPTION	QTY. REQ'D
1	90054007	Height Control Valve	1
2	90554107	Air Pressure Protection Valve & Filter	1
3	90024792	Mounting Bracket	1
4	48100224	SRK-67 Kit (Adj. Link Ass'y)	1
5	93002349	Cap Screw 1/4"-20 x 3/4	2
6	93400060	Lock Nut 1/4"-20	2
7	90054038	Axle Bracket	1
8	94100119	Decal (Operating)	1
9	94100466	Height Control Valve Instructions	1

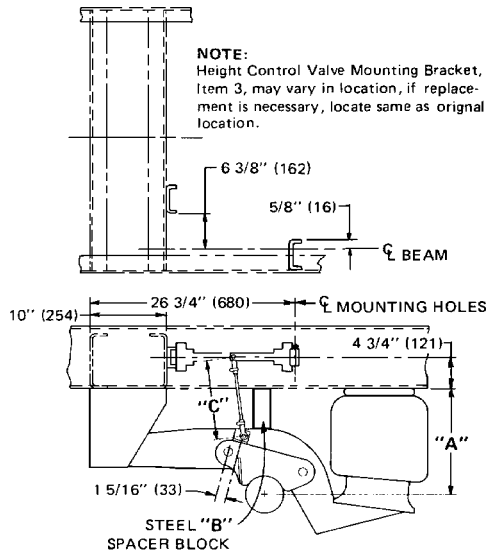
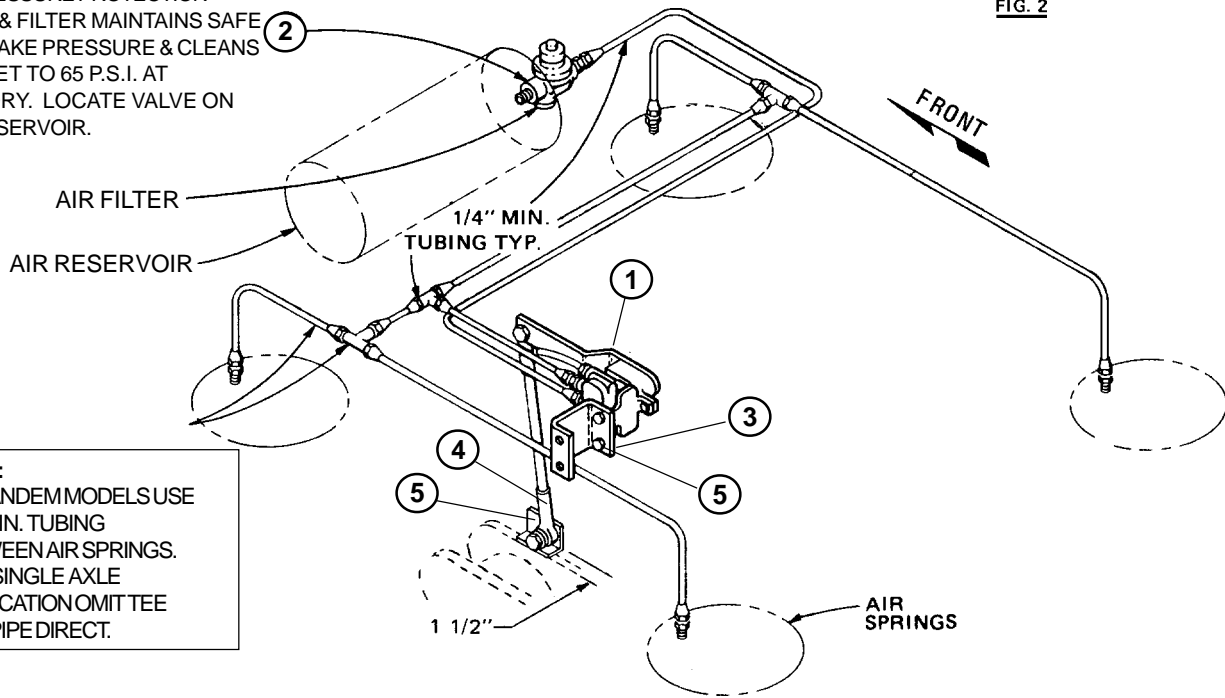


FIG. 2

AIR PRESSURE PROTECTION VALVE & FILTER MAINTAINS SAFE AIR BRAKE PRESSURE & CLEANS AIR. SET TO 65 P.S.I. AT FACTORY. LOCATE VALVE ON AIR RESERVOIR.



**NOTE:**  
ON TANDEM MODELS USE 3/8" MIN. TUBING BETWEEN AIR SPRINGS. FOR SINGLE AXLE APPLICATION OMIT TEE AND PIPE DIRECT.

**NOTE: ALL AIR LINES MUST BE PROTECTED AND SUPPORTED WHEN PASSING THRU FRAME MEMBER**

Locate Height Control Valves on: Rear axle of tandem, Center axle of multiple axles. Do not locate on lift axles. Call for special applications.





# HOLLAND NEWAY TRAILER AIR SUSPENSION AIR CONTROL KIT

## (\*AC60-17)

\*Parts Referenced for Replacement (-Kit not stocked)

### For AR-90 Series Air Ride Suspensions With 2 Height Control Valve System

AC60-17 AIR CONTROL PARTS LIST			
ITEM NO.	PART NO.	DESCRIPTION	QTY. REQ'D
1	90054007	Height Control Valve	2
2	90554107	Air Pressure Protection Valve & Filter	1
3	90024792	Mounting Bracket	2
4	48100224	SRK-67 Kit (Adj. Link Ass'y)	2
5	93002349	Cap Screw 1/4"-20 x 3/4	4
6	93400060	Lock Nut 1/4"-20	4
7	90054038	Axle Bracket	2
8	94100119	Decal (Operating)	1
9	94100466	Height Control Valve Instructions	1

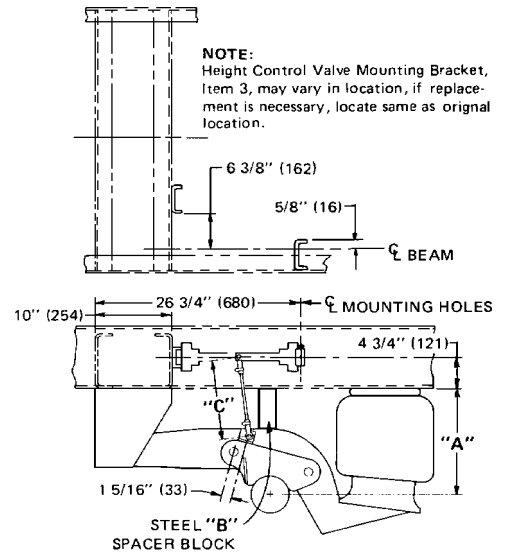
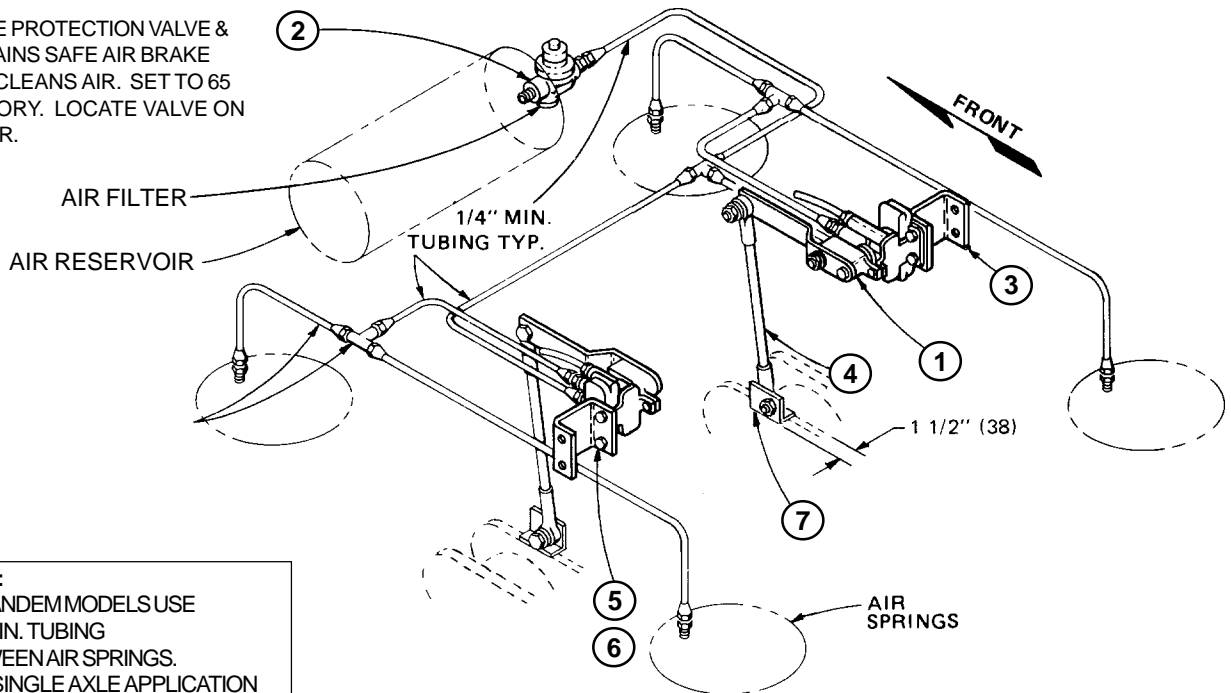


FIG. 2

AIR PRESSURE PROTECTION VALVE & FILTER MAINTAINS SAFE AIR BRAKE PRESSURE & CLEANS AIR. SET TO 65 P.S.I. AT FACTORY. LOCATE VALVE ON AIR RESERVOIR.



**NOTE:**  
ON TANDEM MODELS USE 3/8" MIN. TUBING BETWEEN AIR SPRINGS. FOR SINGLE AXLE APPLICATION OMITTEE AND PIPE DIRECT.

Locate Height Control Valves on: Rear axle of tandem, Center axle of multiple axles. Do not locate on lift axles. Call for special applications.





## SERVICE REPAIR KITS



### Part No. 48100132 SRK-11A

For servicing pivot connections on Neway trailer air suspensions - models: AR-120, AR-120-L, AR-125, AR-125-L, AR-120-US, AR-120-US-L, AR-125-US and AR-125-US-L

Components	Description	Qty.
90508001	Rubber Bushing	2
93003389	Hex Head Bolt	4
93003633	Hex Head Bolt	4
93400490	Lock Nut	4
93400492	Lock Nut	4
93600035	Spacer Washer	4
93600150	Washer	4
93600156	Washer	4

### Part No. 48100016 SRK-15

For servicing 5" Dia. axle connections on Neway AR-I series top mount trailer air ride suspensions.

Components	Description	Qty.
90028007	Rubber Wrapper	2
90028016	Rubber Pad	2
93200754	Rod Bolt	4
93400496	Lock Nut	8
93600162	Washer	8
93900178	Rod Bolt	4

### Part No. 48100033 SRK-36

For servicing 5" Rd. axle and trunnion connections on Neway RTS series suspensions.

Components	Description	Qty.
91008014	Rubber Trunnion Bushing	2
91028010	Rubber Wrapper	2
91028023	Lower Rubber Pad	4
93003575	Cap Screw	16
93400492	Lock Nut	16
93600156	Washer	32

### Part No. 48100050 SRK-39

For servicing radius rod connections on Neway RTS, T and TR series trailer suspensions.

Components	Description	Qty.
91008007	Rubber Bushing	4
93900009	Rod Bolt	4
93400569	Lock Nut	4

### Part No. 48100193 SRK-48A

For servicing the pivot connections on Neway AR-50 series air ride suspensions.

Components	Description	Qty.
90008131	Rubber Bushing	2
93201045	Rod Bolt	2
93400506	Lock Nut	2

### Part No. 48100108 SRK-64

For servicing 5" Dia. axle connections on Neway AR series underslung trailer and ART series truck/tractor air suspensions.

Components	Description	Qty.
90028047	Rubber Wrapper	2
90028083	Rubber Pad	2
90041878	U-Bolt	4
93400502	Lock Nut	8
93600028	Flat Square Washer	8
93900027	Washer	8

### Part No. 48100110 SRK-66

For servicing 5" Dia. axle connections on Neway AR120/125 and ART500/505/555 air suspensions.

Components	Description	Qty.
90028047	Rubber Wrapper	2
90028083	Rubber Pad	2
90042791	U-Bolt	4
93400502	Lock Nut	8
93600028	Flat Square Washer	8
93900027	Washer	8

### Part No. 48100112 SRK-68

For servicing 5" Sq., 20" wheel axle connections on Neway AR-I, AR-III, AR-50 and ART series air suspensions.

Components	Description	Qty.
90028005	Rubber Wrapper	2
90028073	Rubber Wrapper	2
90028083	Rubber Pad	2
90041997	U-Bolt	4
93400502	Lock Nut	8
93600028	Flat Square Washer	8
93900027	Washer	8

### Part No. 48100161 SRK-77-1

For servicing transverse beam bushing connections on Neway ARD series suspensions.

Components	Description	Qty.
90008113	Rubber Bushing	4
90036007	Spacer Washer	2
93400511	Lock Nut	2
93600180	Plain Washer	2
93600512	Washer	2

### Part No. 48100124 SRK-80

For servicing 5-3/4" Dia. axle beam hanger bushing connection on Neway ARD series air suspensions.

Components	Description	Qty.
90001002	Adapter Bushing	4
90008008	Rubber Bushing	2
93003693	Cap Screw	2
93400492	Lock Nut	2
93600156	Washer	4

**SERVICE REPAIR KITS****Part No. 48100144 SRK-96**

For Neway AR-III series trailer air suspensions and ART series truck/tractor air suspensions.

Components	Description	Qty.
90031785	End Plate	2
90044218	Yoke Grommet	2
90044572	Half Washer	2
90044574	Lower Cam Bearing Spacer Seal	4
90044576	Lower Cam Bearing Inner Seal	2
90544661	Lower Cam Pin	2
90544670	Cam Assembly	2
93400494	Lock Nut	2
93900151	Lock Nut	2

**Part No. 48100195 SRK-139**

For servicing pivot connection of Neway ARD series suspensions.

Components	Description	Qty.
90008120	Alignment Bushing	4
90008131	Rubber Bushing	2
93201055	Rod Bolt	2
93400506	Lock Nut	2
93600495	Spacer Washer	4

**Part No. 481 00 202 SRK-145**

For servicing pivot connections on Neway trailer and truck/tractor air ride suspensions.

Components	Description	Qty.
90008139	Rubber Bushing	2
90036177	Spacer Washer	4
93201055	Rod Bolt	2
93400506	Lock Nut	2

**Part No. 48100205 SRK-148**

For servicing front pivot connections on Neway ARD series air suspensions.

Components	Description	Qty.
90008145	Rubber Bushing	2
93201055	Rod Bolt	2
93400506	Lock Nut	2

**Part No.48100206 SRK-149**

For servicing 5" Dia. axle connections on Neway AR-90 series air suspensions.

Components	Description	Qty.
90008149	Rubber Bushing	4
90036175	Wear Washer	8
90036177	Spacer Washer	8
93201051	Hex Bolt	4
93400506	Lock Nut	4

**Part No.48100215 SRK-158**

Coil spring lift kit.

Components	Description	Qty.
90036161	Spacer Washer	2
90044218	Yoke Grommet	2
90044574	Lower Cam Bearing Spacer Seal	4
90044576	Lower Cam Bearing Inner Seal	2
90044776	Yoke Grommet	2
90544661	Lower Cam Pin	2
90544670	Cam Assembly	2
93400494	Lock Nut	2
93600508	Washer	2
93900195	Lock Nut	2

**Part No.48100216 SRK-159**

Coil spring lift kit.

Components	Description	Qty.
50506001	Rod Bolt	1
50544002	Fixture Plate	1
90044776	Yoke Grommet	1
90044777	Bracket	4
90057034	Conical Spring	1
90544800	Spring Cup	1
90544802	Tube Assembly	1
93002577	Cap Screw	4
93400128	Nut	4
93400604	Nut	1
93600156	Washer	1
93600508	Washer	1
93900195	Lock Nut	1

**Part No. 48100225 SRK-168**

For servicing height control valve link assemblies on air ride suspensions with automatic air control kits.

Components	Description	Qty.
90006396	18.25" Rod	1
90054516	Link End	2
93400060	Lock Nut	2
93600522	Washer	4
93900198	Hose Clamp	2
93900224	Shoulder Bolt	2

**Part No. 48100230 SRK-173**

Coil spring replacement.

Components	Description	Qty.
50506001	Rod Bolt	1
50544002	Fixture Plate	1
90044776	Yoke Grommet	1
90057034	Conical Spring	1
90544800	Spring Cup	1
93002577	Cap Screw	4
93400128	Nut	4
93400604	Nut	1
93600156	Washer	1
93600508	Washer	1
93900195	Lock Nut	1





## SERVICE REPAIR KITS



### Part No. 48100250 SRK-173-1

Coil spring replacement.

Components	Description	Qty.
90044776	Yoke Grommet	1
90057034	Conical Spring	1
90544800	Spring Cup	1
93002577	Cap Screw	4
93400128	Nut	4
93600508	Washer	1
93900195	Lock Nut	1

### Part No. 48100260 SRK-200

Pivot Connection Kit

Components	Description	Qty.
90008151	Rubber Bushing	2
93201055	Rod Bolt	2
93400506	Lock Nut	2
93600502	Spacer Washer	4

### Part No. 48100261 SRK-201

For servicing transverse connection.

Components	Description	Qty.
90008135	Rubber Bushing	2
90036118	Spacer Washer	4
93400603	Nut	2
93400498	Washer	2
93800235	Roll Pin	4

### Part No. 48100264 SRK-203

For servicing pivot connections on Neway RL 196 and RL228 suspensions.

Components	Description	Qty.
90008149	Rubber Bushing	2
90036177	Spacer Washer	4
93201055	Rod Bolt	2
93400506	Lock Nut	2

### Part No. 48100295 SRK-223

For servicing pivot connections on Neway RL 196 and RL228 non-weld suspensions.

Components	Description	Qty.
90008149	Rubber Bushing	1
90008186	Alignment Block - Non-Weld	1
90036177	Spacer Washer	2
90508009	Alignment Bushing	1
93400506	Lock Nut	1